



Delco Carburetor

BULLETIN 9C-3000

DATE: NOVEMBER, 1971

PAGE 1

1932-62 CHEVROLET

REFER TO THE 9A-100 CARBURETOR AND SERVICE PARTS CATALOG FOR PARTS AND KITS AVAILABLE FOR THE CARBURETORS LISTED BELOW.

CARBURETOR No.	MODEL	YEAR	CARBURETOR No.	MODEL	YEAR
7001374	B	1932-40	7012500	2GC	1958
7002050	B	1941-50	7012502	BC	1958
7003060	B	1950	7012503	2GC	1958
7003152	B	1951	7012851	2G	1958
7003160	B	1951	7012853	2G	1958
7003526	BC	1952	7013000	BC	1959-60
7003865	B	1951	7013003	BC	1959-61
7003986	B	1950-51	7013004	4GC	1959-60
7004475	B	1932-52	7013005	BC	1959-61
7004477	B	1952	7013006	4GC	1959-60
7004478	BC	1953	7013007	2GC	1959-60
7004495	B	1951	7013008	2GC	1959-60
7004620	BC	1932-52	7013010	4GC	1959-60
7004915	BC	1953	7013012	4GC	1959-60
7005810	2GC	1955	7013015	2G	1959-61
7005921	BC	1954	7013016	2GC	1959-61
7005922	BC	1954	7013017	2G	1959-61
7005982	BC	1954	7013018	2GC	1959-60
7006825	2GC	1955	7013020	2GC	1959-61
7007172	BC	1955	7013026	2GC	1959-61
7007180	BC	1955	7013082	2GC	1959-60
7007181	BC	1955	7013652		
7008004	2GC	1955	7013955	BC	1959-61
7008005	2GC	1955	7013956	BC	1959-61
7008387	2GC	1956	7013973	2G	1959-61
7008388	2GC	1956	7013974	2GC	1959-61
7008737	4GC	1956	7013975	2G	1959-61
7009253	BC	1956	7015004	4GC	1960
7009254	BC	1956	7015006	4GC	1960
7009255	BC	1956	7015010	4GC	1960-61
7009345	2GC	1956	7015012	4GC	1960-61
7009656	BC	1957	7015300	H	1960
7009657	BC	1957	7015310	H	1960
7009784	BC	1957	7015311	H	1960
7009846	4GC	1957	7015319	H	1960
7010647	2GC	1957	7019000	BC	1961
7010648	2GC	1957	7019004	4GC	1961
7010719	2GC	1957	7019006	4GC	1961
7011102	BC	1958	7019007	2GC	1961
7011108	4GC	1958	7019008	2GC	1961
7011131	2GC	1957	7019010	4GC	1961
7011149	2GC	1957	7019014	4GC	1961
7011224	2GC	1957	7019018	2GC	1961
7011656	BC	1957	7019100	H	1961
7011657	BC	1957	7019101	H	1961
7011951	2G	1958	7019107	H	1961
7011952	2GC	1958	7019110	H	1961
7011953	2G	1958	7019111	H	1961
7012126	4GC	1957	7019117	H	1961
7012127	BC	1958	7020000	BC	1962
7012128	4GC	1958	7020003	BC	1962
7012129	BC	1958	7020005	BC	1962
7012133	2GC	1958	7020006	4GC	1962
7012451	2GC	1958	7020007	2GC	1962
7012452	2GC	1958	7020008	2GC	1962

CARBURETOR No.	MODEL	YEAR	CARBURETOR No.	MODEL	YEAR
7020012	4GC	1962	7020105	BC	1962
7020018	2GC	1962	7020106	BC	1962
7020022	4GC	1962	7020107	BC	1962
7020100	HV	1962	7020108	BC	1962
7020101	HV	1962	7020114	B	1962
7020103	B	1962	7020115	B	1962
7020104	B	1962			



Delco Carburetor

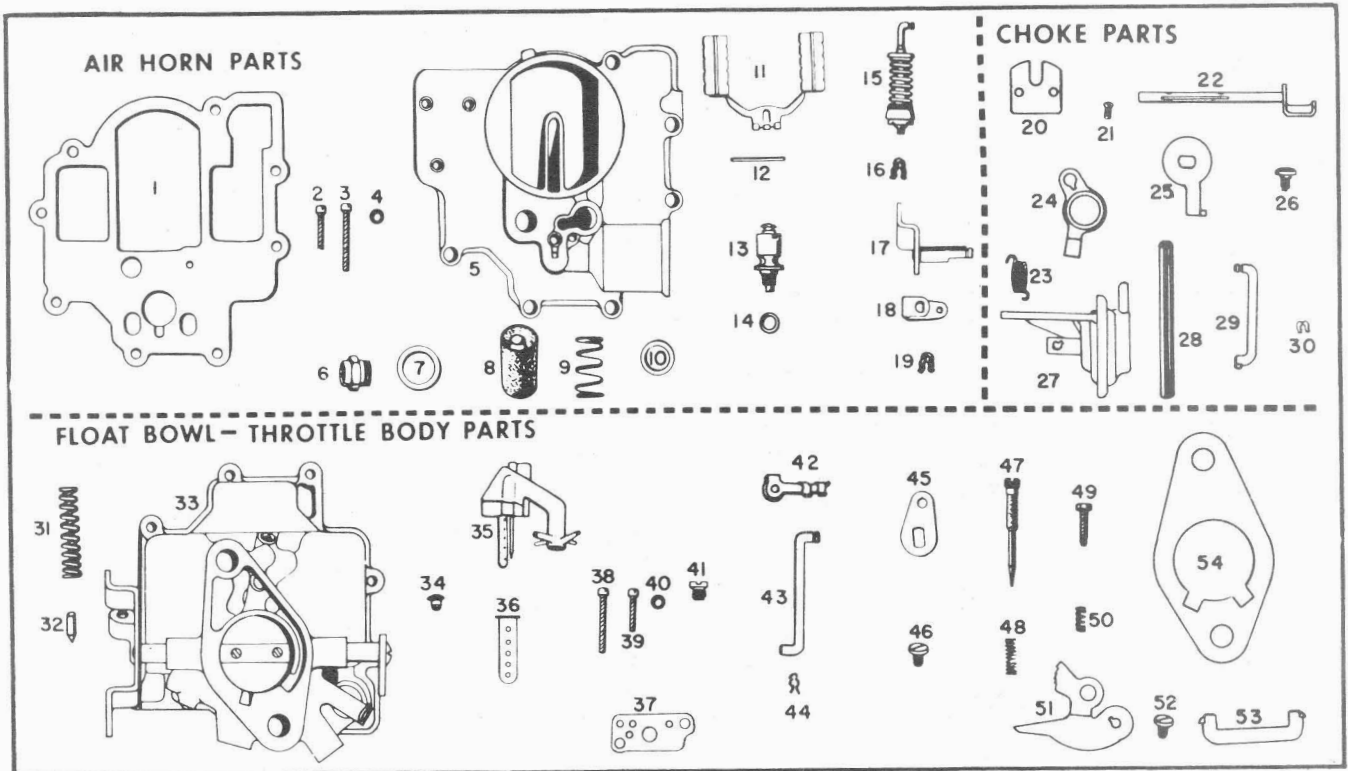
MODEL "H" CARBURETORS

1963 CHEVROLET CORVAIR

DUAL - SINGLE BARREL CARBURETOR INSTALLATION

BULLETIN 9C-3001
DATE: NOVEMBER, 1971
PAGE 1

PARTS SHOWN ARE FOR IDENTIFICATION ONLY. CONSULT PARTS LIST FOR CORRECT PART NAME AND NUMBER



PARTS IN ALL COLUMNS SAME EXCEPT WHERE INDICATED

	AUTO. TRANS.	MAN. TRANS.	HI PERFORM.	APPLICATION
	7023100	7023101	7023102	CARBURETOR No.
	21-370			SERVICE PACKAGE No.
	7016436			OVERHAUL KIT
	9028			POWER CARBURETOR KIT
	40-337			GASKET SET
Illus. No.	AIR HORN PARTS			
1	7033980			Gasket - Air Horn
2	7000249			Screw - Air Horn - Short
3	NLA			Screw - Air Horn - Long
4	120217			Lockwasher - Long Screw
5	NLA			Air Horn Assembly
6	7015233			Nut - Fuel Inlet Nut
7	7032508			Gasket - Fuel Inlet Nut
8	7013404			Filter - Fuel Inlet
9	7010007			Spring - Fuel Inlet Filter
10	7013584			Gasket - Fuel Inlet Filter
11	7015241			Float Assembly
12	7001595			Pin - Float Hinge
13	30-14			Needle and Seat Assembly
14	KIT ONLY			Gasket - Needle Seat
15	7024746			Pump Assembly
16	1875293			Clip - Pump Plunger
17	7020188			Pump Shaft and Lever Assembly
18	7015249			Lever - Pump Inside
19	1875293			Pin Spring - Pump Lever

	7023100	7023101	7023102	CARBURETOR No.
Illus. No.	CHOKE PARTS			
20	7020739			Valve – Choke
21	7007627			Screw – Choke Valve
22	7020736			Choke Shaft Assembly
23	–			Spring – Choke Valve
24	7028796			Choke Lever
25	7022594			Trip Lever
26	7019709			Screw – Trip Lever
27	7021050			Vacuum Break Control Assembly
28	7026339			Hose – Vacuum Control
29	7021042			Vacuum Control Rod
30	7005109			Clip – Control Rod
THROTTLE BODY – FLOAT BOWL PARTS				
31	7017436			Spring – Pump Return
32	7001674			Valve – Pump Discharge
33	NLA			Body and Bowl Assembly
34	NLA			Plug – Aluminum – Fuel
35	NLA			Venturi Cluster Assembly
36	7021528			Insert – Main Well
37	KIT ONLY			Gasket – Venturi Cluster
38	7000293			Screw – Venturi Cluster – Long
39	NLA			Screw – Venturi Cluster – Short
40	121841			Lockwasher – Cluster Screws
41	7002648			Jet – Main Metering
42	7003137			Retainer – Pump Rod
43	7020187			Pump Rod
44	1875293			Retainer – Pump Rod
45	7015280			Lever – Pump Actuating
46	7010435			Screw – Pump Lever
47	7016864			Idle Needle
48	7011479			Spring – Idle Needle
49	7006213			Screw – Slow Idle Adjustment
50	7001690			Spring – Slow Idle Screw
51	7024430			Cam – Fast Idle
52	7003561			Screw – Cam Attaching
53	7020747			Rod – Choke
54	3787453			Heat Insulator

NLA – No Longer Available



Delco Carburetor

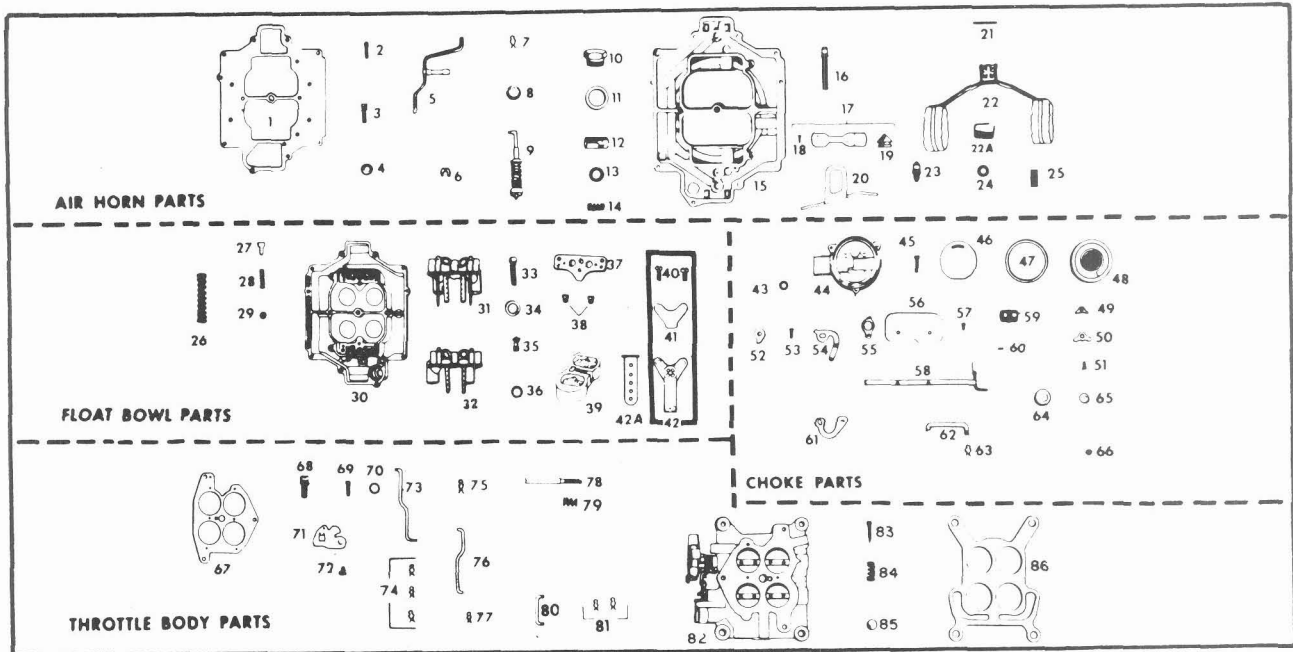
MODEL 4GC CARBURETORS

1963 CHEVROLET V-8

327 CUBIC INCH ENGINE

BULLETIN 9C-3002
 DATE: NOVEMBER, 1971
 PAGE 1

PARTS SHOWN ARE FOR IDENTIFICATION ONLY. CONSULT PARTS LIST FOR CORRECT PART NAME AND NUMBER



PARTS IN ALL COLUMNS SAME – EXCEPT WHERE INDICATED

	STANDARD	AIR COND.	APPLICATION
	7023006	7023012	CARBURETOR No.
	24-395		REPLACEMENT PKG. No.
	7033075		OVERHAUL KIT
	9107		POWER CARBURETOR KIT
	40-340		GASKET SET
Illus.No.	AIR HORN PARTS		
1	7015173		Gasket – Air Horn
2	7000249		Screw – Air Horn – Short
3	7014699		Screw – Air Horn – Long
4	120217		Lockwasher – Long Screw
5	7022205		Pump Shaft and Lever Assembly
6	7007617		Clip – Pump Shaft
7	1875293		Clip – Pump Plunger
8	7006372		Boot – Pump Plunger
9	7026826		Pump Assembly
10	7040952		Filter Nut – Fuel Inlet
11	7032508		Gasket – Filter Nut
12	7013404		Filter – Fuel Inlet
13	7013584		Gasket – Filter
17	7010007		Spring – Filter
15	7021486		Air Horn Assembly
16	7009718		Power Piston Assembly
17	7012188		Idle Vent Valve Kit
18	7012548		Screw – Vent Valve and Shield
19	7029993		Valve – Idle Vent
20	7012520		Shield – Idle Vent
21	7001595		Pin – Float Hinge
22	7017488		Float Assembly
22A	7017486		Torsion Spring
23	30-7		Needle and Seat Assembly (2)
24	KIT ONLY		Gasket – Needle Seat
25	7006079		Strainer – Needle Seat
–	7006474		Pull Clip – Float Needle

	7023006	7023012	CARBURETOR No.
Illus. No.	FLOAT BOWL PARTS		
26	7004597		Spring – Pump Return
27	7003838		Guide – Pump Discharge
28	7006059		Spring – Pump Discharge
29	7002117		Ball – Pump Discharge
30	NLA		Float Bowl Assembly
31	NLA		Venturi Cluster – Primary
32	NLA		Venturi Cluster – Secondary
33	7010421		Screw – Venturi Cluster
34	121841		Lockwasher – Cluster Screw
35	7011989		Power Valve Assembly
36	KIT ONLY		Gasket – Power Valve
37	KIT ONLY		Gasket – Venturi Cluster
38	7002657		Jet – Primary
38	7008667		Jet – Secondary
39	7020513		Auxiliary Throttle Valve Assembly
40	–	7015127	Screw – Idle Compensator
41	–	7013341	Gasket – Idle Compensator
42	–	7028925	Idle Compensator Kit
42A	7021528		Insert – Main Well – Primary
CHOKE PARTS			
43	KIT ONLY		Gasket – Choke Housing
44	7021208		Choke Housing Assembly
45	7019516		Screw – Choke Housing
46	7006643		Baffle Plate
47	7002760		Gasket – Stat Cover
48	7013588		Stat Cover, Coil and Gasket Assembly
49	7000614		Retainer – Stat Cover – Plain
50	7006846		Retainer – Stat Cover – Toothed
51	7011270		Screw – Stat Cover
52	7000196		Trip Lever
53	7019709		Screw – Trip and Choke Piston Lever
54	7012748		Choke Piston Lever and Link Assembly
55	7027897		Choke Lever and Collar Assembly
56	7008744		Choke Valve
57	7007627		Screw – Choke Valve
58	7013715		Choke Shaft Assembly
59	7015887		Piston – Choke
60	7004748		Pin – Choke Piston
61	7007503		Intermediate Choke Shaft Assembly
62	7013533		Rod – Intermediate Choke Shaft
63	836159		Clip – Intermediate Choke Rod
64	7007893		Plug – Expansion – Large
65	7006475		Plug – Expansion – Small
66	7002814		Plug – Lead Ball
THROTTLE BODY PARTS			
67	KIT ONLY		Gasket – Throttle Body
68	7004324		Screw – Throttle Body – (Large)
69	7015105		Screw – Throttle Body – (Small)
70	121744		Lockwasher – Small Screws
71	7028500		Cam – Fast Idle
72	7003561		Screw – Cam Attaching
73	7009776		Choke Rod
74	1875293		Clip – Choke Rod
75	1875293		Clip – Pump Rod – Upper
76	7021997		Pump Rod
77	1875293		Clip – Pump Rod – Lower
78	7013348		Screw – Fast Idle
79	7003176		Spring – Fast Idle Screw
80	7000241		Link – Secondary Lever
81	1875293		Clip – Secondary Lever Link
82	NLA		Throttle Body Assembly
83	7041621		Needle – Idle Adjusting
84	7011479		Spring – Idle Needle
85	7006475		Plug – Expansion
86	3743282		Gasket – Flange



Delco Carburetor

MODEL 2GC CARBURETORS

1963 CHEVROLET V-8

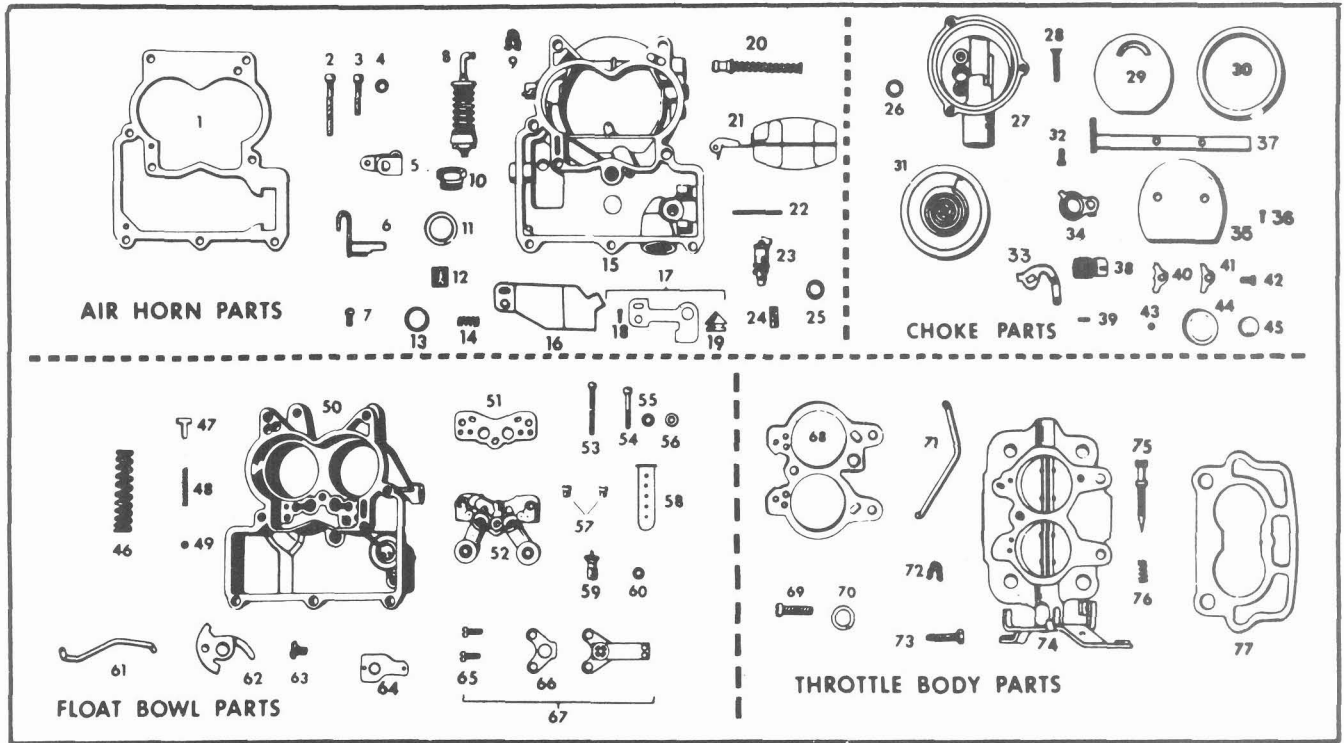
283 CUBIC INCH ENGINE — PASSENGER

BULLETIN 9C-3003

DATE: NOVEMBER, 1971

PAGE 1

PARTS SHOWN ARE FOR IDENTIFICATION ONLY. CONSULT PARTS LIST FOR CORRECT PART NAME AND NUMBER



PARTS IN ALL COLUMNS SAME - EXCEPT WHERE INDICATED

Illus. No.	MAN. TRANS.	AUTO. TRANS. STANDARD	AUTO. TRANS. AIR-COND.	APPLICATION
		7023007	7023008	7023018
	22-330			REPLACEMENT PACKAGE No.
	7026433			OVERHAUL KIT
	9009			POWER CARB. KIT
	40-240			GASKET SET
	AIR HORN PARTS			
1	7008600			Gasket - Air Horn
2	7010432			Screw - Air Horn (Long)
3	7006119			Screw - Air Horn (Short)
4	120217			Lockwasher - Air Horn Screws
5	7032377			Lever - Pump Inside
6	7036764			Pump Shaft and Lever Assembly
7	7011270			Screw - Pump Lever
8	7031824			Pump Assembly
9	1875293			Clip - Pump Plunger
10	7040952			Nut - Fuel Filter
11	7032508			Gasket - Filter Nut
12	7013404			Filter - Fuel Inlet
13	7013584			Gasket - Fuel Filter
14	7010007			Spring - Fuel Filter
15	7021479			Air Horn Assembly
16	7012835			Shield - Idle Vent Valve
17	7012252			Idle Vent Valve Kit
18	7012548			Screw - Vent Valve and Shield
19	7029993			Idle Vent Valve
20	7006323			Power Piston Assembly
21	7012974			Float Assembly

	7023007	7023008	7023018	CARBURETOR No.
	AIR HORN PARTS – Continued			
Illus. No.				
22	7002081			Pin – Float Hinge
23	30-9			Needle and Seat Assembly
24	7006079			Strainer – Needle Seat
25	KIT ONLY			Gasket – Needle Seat
–	7006474			Pull Clip – Float Needle
	CHOKE PARTS			
26	7016472			Gasket – Choke Housing
27	7016467			Choke Housing Assembly
28	7019516			Screw – Choke Housing
29	7006643			Baffle Plate
30	7002760			Gasket – Stat Cover
31	7013715			Stat Cover, Coil and Gasket Assembly
32	7019709			Screw – Choke Piston Lever
33	7010051			Choke Piston Lever and Link Assembly
34	7026237			Choke Lever and Collar Assembly
35	7000255			Choke Valve
36	7007627			Screw – Choke Valve
37	7024464			Choke Shaft Assembly
38	7008937			Choke Piston
39	7004748			Pin – Choke Piston
40	7006846			Retainer – Stat Cover – Toothed
41	7000614			Retainer – Stat Cover – Plain
42	7011270			Screw – Stat Cover
43	7002814			Plug – Lead Ball
44	7003135			Plug – Expansion – Large
45	7006475			Plug – Expansion – Small
	FLOAT BOWL PARTS			
46	7004597			Spring – Pump Return
47	7000286			Guide – Pump Discharge
48	7002118			Spring – Pump Discharge
49	7002117			Ball – Pump Discharge
50	NLA			Float Bowl Assembly
51	KIT ONLY			Gasket – Venturi Cluster
52	NLA			Venturi Cluster Assembly
53	7000293			Screw – Venturi Cluster – Outer
54	7000294			Screw – Cluster – Center
55	121841			Lockwasher – Outer Screws
56	KIT ONLY			Gasket – Center Screw
57	7002658	7002656	7002656	Jet – Standard
58	7021528			Insert – Main Well
59	7006331			Power Valve Assembly
60	KIT ONLY			Gasket – Power Valve
61	7025667			Choke Rod
62	7025668			Cam – Fast Idle
63	7003561			Screw – Cam Attaching
64	–	–	7013937	Cover Assembly – Idle Compensator
65	–	–	7015127	Screw – Idle Compensator
66	–	–	KIT ONLY	Gasket – Idle Compensator
67	–	–	7028925	Idle Compensator Kit
	THROTTLE BODY PARTS			
68	KIT ONLY			Gasket – Throttle Body
69	7015105			Screw – Throttle Body
70	121744			Lockwasher – Throttle Body Screws
71	7005816			Pump Rod
72	1875293			Clip – Pump Rod
73	7013347			Idle Stop Screw
74	NLA			Throttle Body Assembly
75	7041621			Idle Adjusting Needle
76	7011479			Spring – Idle Needle
77	3704952			Gasket – Flange

NLA – No Longer Available



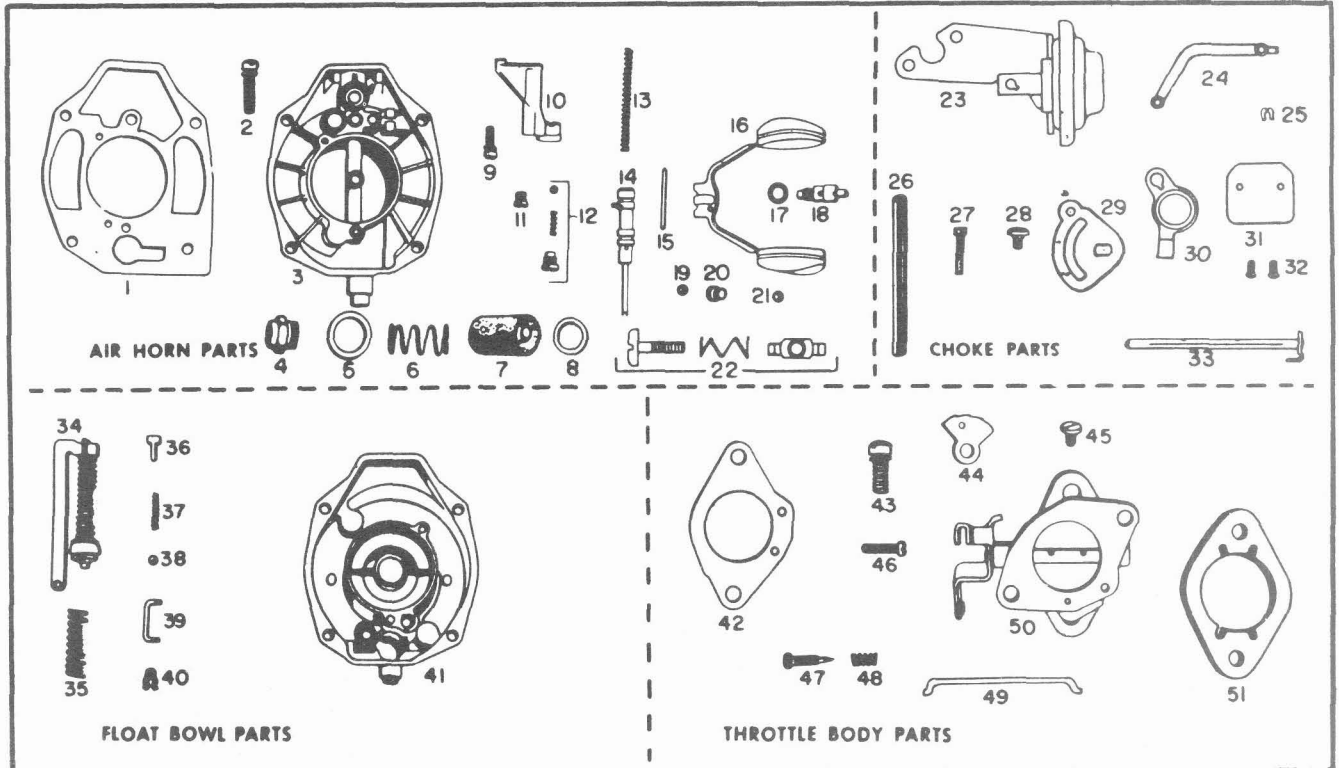
Delco Carburetor

MODEL BY CARBURETORS
1963-64 CHEVROLET AND
CHEVELLE "6"

230 CUBIC INCH ENGINE — PASSENGER

BULLETIN 9C-3004
DATE: NOVEMBER, 1971
PAGE 1

PARTS SHOWN ARE FOR IDENTIFICATION ONLY. CONSULT PARTS LIST FOR CORRECT PART NAME AND NUMBER



PARTS IN ALL COLUMNS SAME — EXCEPT WHERE INDICATED

	1963-64	1963-64	1963-64	1963-64	1964	1964	YEAR
	STANDARD AUTO. TRANS.	STANDARD MAN. TRANS.	OPTIONAL AUTO. TRANS.	OPTIONAL MAN. TRANS.	CHEVELLE AUTO. TRANS.	CHEVELLE MAN. TRANS.	APPLICATION
	7023000	7023003	7023004	7023005	7024000	7024001	CARBURETOR No.
	21-377						REPLACEMENT PACKAGE No.
	7016458						OVERHAUL KIT
	9062						POWER CARBURETOR KIT
	40-281						GASKET SET
Illus. No.	AIR HORN PARTS						
1	7026514						Gasket — Air Horn
2	7003823						Screw — Air Horn
3	NLA						Air Horn Assembly
4	7040952						Filter Nut — Fuel Inlet
5	7032508						Gasket — Filter Nut
6	7010007						Spring Fuel Inlet
7	7013404						Filter — Fuel Inlet
8	7013584						Gasket — Fuel Filter
9	7000745						Screw — Main Well Support
10	NLA						Main Well Support Assembly
11	7002959	7002660	7002643	7002644	7008670	7008672	Jet — Standard
12	7026961						Power Valve Assembly
13	7002896	7002896	7002366	7002366	7002896	7002896	Spring — Power Piston
14	7010002						Power Piston Assembly
15	7002081						Pin — Float Hinge
16	7002672						Float Assembly
17	KIT ONLY						Gasket — Needle Seat

	7023000	7023003	7023004	7023005	7024000	70024001	CARBURETOR No.
Illus No.	AIR HORN PARTS – (Continued)						
18	30-1						Needle and Seat Assembly
19	7001637						Plug – Lead Ball – Idle Passage – Outer
20	7002055						Plug – Idle Passage – Inner
21	7002814						Plug – Lead Ball
22	7025599						Idle Vent Valve Kit
CHOKE PARTS							
23	7025091						Vacuum Break Control Assembly
24	7022554						Rod – Vacuum Control
25	7005109						Clip – Control Rod
26	7026339						Hose – Vacuum
27	7011270						Screw – Vacuum Control Attaching
28	7019709						Screw – Stat Rod Lever
29	7022550						Lever – Stat Rod
30	7009262						Choke Lever
31	7011651						Choke Valve
32	7007627						Screw – Choke Valve
33	7022548						Choke Shaft Assembly
FLOAT BOWL PARTS							
34	7025530						Pump Plunger Assembly
35	7005954						Spring – Pump Return
36	7003838						Guide – Pump Discharge
37	7002118						Spring – Pump Discharge
38	7002117						Ball – Pump Discharge
39	7029787						Link – Pump
40	836159						Pin Spring – Pump Link
41	NLA						Float Bowl Assembly
THROTTLE BODY PARTS							
42	7025560						Gasket – Throttle Body
43	7015365						Screw – Throttle Body
44	7025345						Cam – Fast Idle
45	7003561						Screw – Cam Attaching
46	7013347						Screw – Idle Stop
47	7001669						Needle – Idle Adjusting
48	7003190	7003190	7003190	7003190	7001666	7001666	Spring – Idle Needle
49	7028996						Choke Rod
50	NLA						Throttle Body Assembly
51	3953732						Gasket – Flange

NLA – No Longer Available

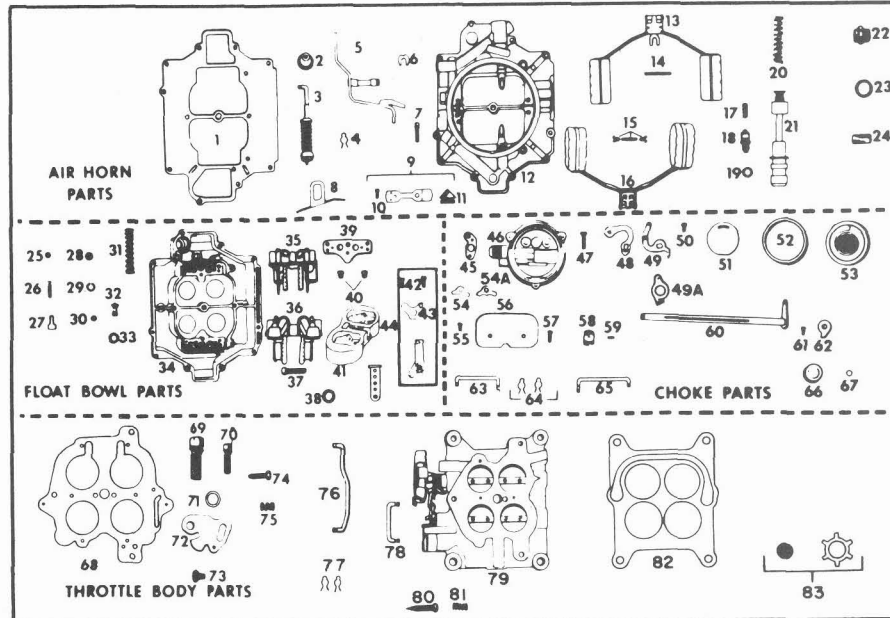


Delco Carburetor

MODEL 4GC CARBURETORS
1963-64 CHEVROLET V-8 PASSENGER
409 CU. IN. ENGINE

BULLETIN 9C-3005
DATE: NOVEMBER, 1971
PAGE 1

PARTS SHOWN ARE FOR IDENTIFICATION ONLY. CONSULT PARTS LIST FOR CORRECT PART NAME AND NUMBER



PARTS IN ALL COLUMNS SAME EXCEPT WHERE INDICATED

Illus. No.	1963		1964 EARLY		1964 LATE		YEAR
	AUTO. TRANS.	MAN. TRANS.	AUTO. TRANS.	MAN. TRANS.	AUTO. TRANS.	MAN. TRANS.	APPLICATION
	7020024	7020023	7024124	7024123	7024128	7024127	CARBURETOR No.
	24-317						REPLACEMENT PACKAGE No.
	7016435	7016435	7016435	7016455	7016435	7016455	OVERHAUL KIT
	9053						POWER CARBURETOR KIT
	40-289						GASKET SET
	AIR HORN PARTS						
1	7024653						Gasket - Air Horn
2	7006372						Boot - Pump Plunger
3	7026797						Pump Assembly
4	1875293						Clip - Pump Plunger
5	7011789						Pump Shaft and Lever Assembly
6	7007616						Clip - Pump Shaft
7	7000249						Screw - Air Horn
8	7012520						Shield - Idle Vent Valve
9	7012188						Idle Vent Valve Kit
10	7012548						Screw - Idle Vent Valve
11	7029993						Idle Vent Valve
12	NLA						Air Horn Assembly
13	7011945						Primary Float Assembly
14	7001595						Pin - Float Hinge
15	7001850						Float Balance Spring Assembly
16	7016674						Secondary Float Assembly
17	7006079						Strainer - Needle Seat
18	30-11						Needle and Seat Assembly - Primary
18	30-7						Needle and Seat Assembly - Secondary
19	KIT ONLY						Gasket - Needle Seat
-	7006474						Pull Clip - Float Needle
20	7011957	7011957	7015181	7015181	7028793	7028793	Spring - Power Piston
21	7011947						Power Piston Assembly
22	7002862						Strainer Nut
23	7001597						Gasket - Strainer Nut
24	7003083						Strainer - Fuel Inlet

	7020024	7020023	7024124	7024123	7024128	7024127	CARBURETOR No.
Illus. No.	FLOAT BOWL PARTS						
25	7002117						Ball – Pump Discharge
26	7002118						Spring – Pump Discharge
27	7003838						Guide – Pump Discharge
28	7001604						Strainer – Pump Inlet
29	7001605						Retainer – Inlet Strainer
30	7002120						Ball – Pump Inlet Check
31	7008694						Spring – Pump Return
32	7011989						Power Valve Assembly
33	7012488						Gasket – Power Valve
34	NLA						Float Bowl Assembly
35	NLA						Venturi Cluster Assembly – Primary
36	NLA						Venturi Cluster Assembly – Secondary
37	7010421						Screw – Cluster Attaching
38	121841						Lockwasher – Cluster Screws
39	KIT ONLY						Gasket – Venturi Clusters
40	7008663	7008662	7008663	7008662	7008661	7008661	Jet – Primary
40	7008681	7008681	7008680	7008681	7008680	7008678	Jet – Secondary
41	7012578						Auxiliary – Throttle Valve Assembly
42	7015127						Screw – Idle Compensator
43	7013341						Gasket – Idle Compensator
44	7015163						Idle Compensator Kit
44A	7021029						Insert – Main Well – Primary
CHOKE PARTS							
45	7007502						Gasket – Choke Housing
46	7025496						Choke Housing Assembly
47	7019516						Screw – Choke Housing
48	7010048						Intermediate Choke Shaft Assembly
49	7009852						Choke Piston Lever and Link Assembly
49A	NLA	NLA	7027897	7027897	7027897	7027897	Choke Lever and Collar Assembly
50	7019709						Screw – Piston Lever
51	7006643						Baffle Plate
52	7002760						Gasket – Stat Cover
53	NLA						Stat Cover, Coil and Gasket Assembly
54	7000614						Retainer – Stat Cover (Plain)
54A	7006846						Retainer – Stat Cover (Toothed)
55	7011270						Screw – Stat Cover
56	7000191						Choke Valve
57	7007627						Screw – Choke Valve
58	7012294	7021493	7012294	7021493	7012294	7021493	Choke Piston
59	7010746						Pin – Choke Piston
60	7010362						Choke Shaft Assembly
61	7019709						Screw – Trip Lever
62	7000196						Trip Lever
63	7025757						Rod – Intermediate Choke
64	836159						Clip – Intermediate Choke Rod
64	1875293						Clip – Choke Rod
65	7010222						Rod – Choke
66	7003135						Plug – Expansion – Large
67	7002814						Plug – Lead Ball
THROTTLE BODY PARTS							
68	KIT ONLY						Gasket – Throttle Body
69	7004324						Screw – Throttle Body – Large
70	7015105						Screw – Throttle Body – Small
71	121744						Lockwasher – Small Screws
72	7025495						Cam - Fast Idle
73	7003561						Screw – Cam Attaching
74	7013348						Fast Idle Screw
75	7003176						Spring – Fast Idle Screw
76	7024666						Rod – Pump
77	1875293						Clip – Pump Rod and Secondary Lever Link
78	7000241						Link – Secondary Lever
79	NLA						Throttle Body Assembly
80	7041621						Idle Needle
81	7011479						Spring – Idle Needle
82	3829012						Gasket – Flange
83	KIT ONLY						Screw Protecting Cap and Retainer



Delco Carburetor

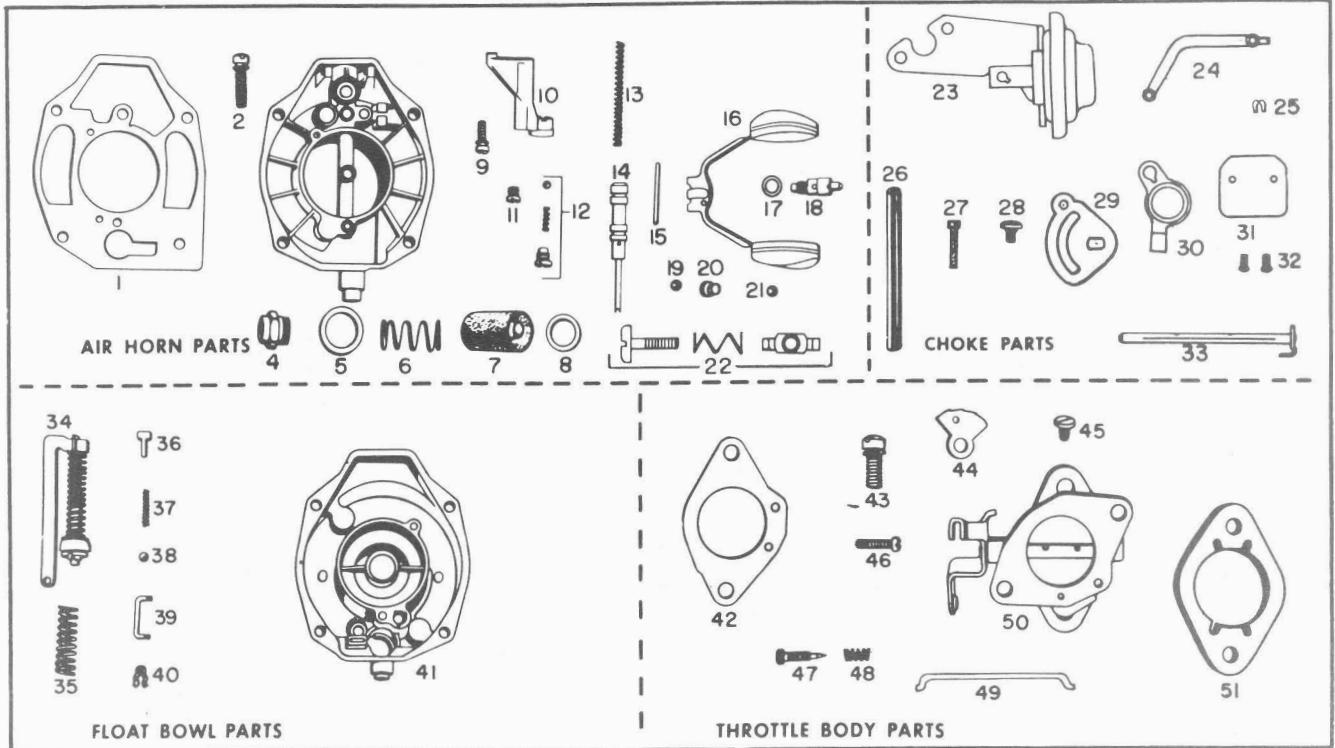
MODEL BV CARBURETORS

1963-67 CHEVY II, CHEVELLE "6"

194 CUBIC INCH ENGINE — PASSENGER

BULLETIN 9C-3006
 DATE: NOVEMBER, 1971
 PAGE 1

PARTS SHOWN ARE FOR IDENTIFICATION ONLY. CONSULT PARTS LIST FOR CORRECT PART NAME AND NUMBER



PARTS IN ALL COLUMNS SAME — EXCEPT WHERE INDICATED

Illus. No.	1963-1964		1965-1967		YEAR
	AUTO. TRANS.	MAN. TRANS.	AUTO. TRANS.	MAN. TRANS.	APPLICATION
	7023108	7023105	7025108	7025105	CARBURETOR No.
	21-377				REPLACEMENT CARB. No.
	7016458				OVERHAUL KIT
	9062				POWER CARBURETOR KIT
	40-281				GASKET SET
	AIR HORN PARTS				
1	7026514				Gasket — Air Horn
2	7003823				Screw — Air Horn Attaching
3	NLA				Air Horn Assembly
4	7040952				Filter Nut
5	7032508				Gasket — Filter Nut
6	7031539				Spring — Fuel Filter
7	7013404				Filter — Fuel Inlet
8	7013584				Gasket — Fuel Filter
9	7000745				Screw — Well Support Attaching
10	NLA				Main Well Support Assembly
11	7002659	7002660	7002659	7002660	Main Metering Jet
12	7026961				Power Valve Assembly
13	7002366				Spring — Power Piston
14	7010002				Power Piston Assembly
15	7002081				Pin — Float Hinge
16	7002672				Float assembly
17	KIT ONLY				Gasket — Needle Seat
18	30-1				Needle and Seat Assembly
19	7001637				Plug — Lead Ball — Idle Channel — Outer
20	7002055				Plug — Idle Channel — Inner
21	7002814				Plug — Lead Ball
22	7025599				Idle Vent Valve Kit

	7023108	7023105	7025108	7025105	CARBURETOR No.
Illus No.	CHOKE PARTS				
23	7025091				Vacuum Break Control Assembly
24	7022554				Rod – Vacuum Control
25	7005109				Clip – Control Rod
26	7026339				Hose – Vacuum
27	7011270				Screw – Vacuum Control Attaching
28	7019709				Screw – Stat Rod Lever
29	7022550				Lever – Stat Rod
30	7009262				Choke Lever
31	7025387	7025387	7011651	7011651	Choke Valve
32	7007627				Screw – Choke Valve
33	7022548				Choke Shaft Assembly
	FLOAT BOWL PARTS				
34	7025530				Pump Plunger Assembly
35	7005954				Spring – Pump Return
36	7003838				Guide – Pump Discharge Spring
37	7002118				Spring – Pump Discharge Ball
38	7002117				Ball – Pump Discharge
39	7029787				Link – Pump
40	836159				Pin Spring – Pump Link
41	NLA				Float Bowl Assembly
	THROTTLE BODY PARTS				
42	KIT ONLY				Gasket – Throttle Body to Bowl
43	7015365				Screw – Throttle Body Attaching
44	7025345				Cam – Fast Idle
45	7003561				Screw – Cam Attaching
46	7013347				Screw – Idle Stop
47	7001669				Needle – Idle Adjusting
48	7001666				Spring – Idle Adjusting Needle
49	7028996				Choke Rod
50	NLA				Throttle Body Assembly
51	3953732				Flange Gasket

NLA – No Longer Available