



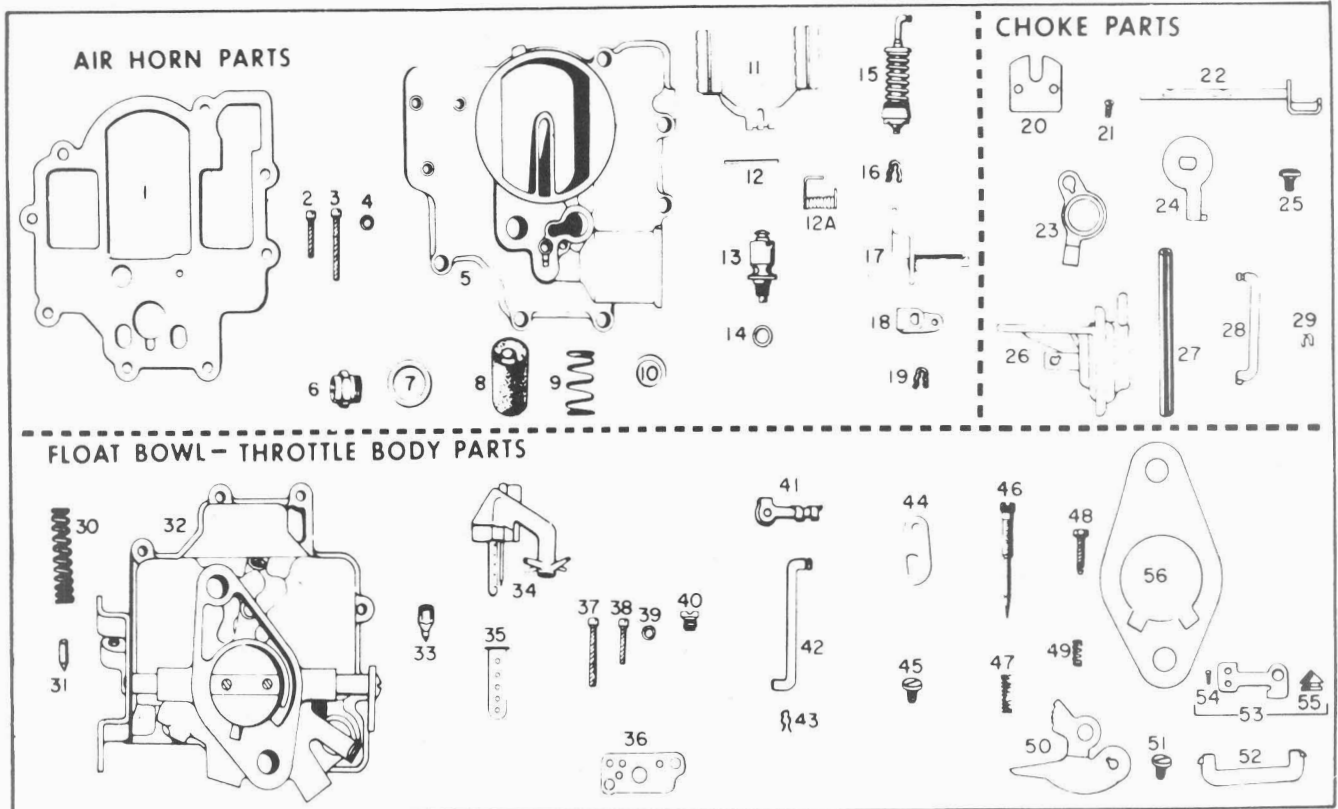
Delco Carburetor

MODEL "HV" CARBURETORS

1967 CHEVROLET CORVAIR

BULLETIN 9C-3023
DATE: NOVEMBER, 1971
PAGE 1

PARTS SHOWN ARE FOR IDENTIFICATION ONLY. CONSULT PARTS LIST FOR CORRECT PART NAME AND NUMBER



PARTS IN ALL COLUMNS SAME - EXCEPT WHERE INDICATED

	MAN. TRANS. W/O A.I.R.	AUTO. TRANS. W/O A.I.R.	MAN. TRANS. A.I.R.	AUTO. TRANS. A.I.R.	APPLICATION
	7026023	7026024	7036015	7036014	CARBURETOR No.
	21-370				REPLACEMENT PKG. No.
	7033066				OVERHAUL KIT
	9105				POWER CARBURETOR KIT
	40-337				GASKET SET
Illus. No.	AIR HORN PARTS				
1	7033980				Gasket - Air Horn
2	7000249				Screw - Air Horn - Short
3	NLA				Screw - Air Horn - Long
4	120217				Lockwasher - Long Screw
5	NLA				Air Horn Assembly
6	7015233				Nut - Fuel Inlet Nut
7	7032508				Gasket - Fuel Inlet Nut
8	7013404				Filter - Fuel Inlet
9	7034356				Spring - Fuel Inlet Filter
10	7013584				Gasket - Fuel Inlet Filter
11	7028501				Float Assembly
12	7001595				Pin - Float Hinge
12A	7028503				Torsion Spring
13	30-3				Needle and Seat Assembly
14	KIT ONLY				Gasket - Needle Seat
15	7024746				Pump Assembly
16	1875293				Clip - Pump Plunger
17	7020188	7020188	7035794	7035794	Pump Shaft and Lever Assembly
18	7015249				Lever - Pump Inside
19	1875293				Pin Spring - Pump Lever

CO, WD, 131, 132:16, 9X, 9FR, 9FD

A.I.R. - Air Injection Reactor
NLA - No Longer Available

PRINTED IN U.S.A.
© 1971, GENERAL MOTORS CORP.

	7026023	7026024	7036015	7036014	CARBURETOR No.
Illus. No.	CHOKE PARTS				
20	7020739				Valve – Choke
21	7007627				Screw – Choke Valve
22	7020736				Choke Shaft Assembly
23	7028796				Choke Lever
24	7022594				Trip Lever
25	7019709				Screw – Trip Lever
26	7021050				Vacuum Break Control Assembly
27	7026339				Hose – Vacuum Control
28	7021042				Vacuum Control Rod
29	7005109				Clip – Control Rod
	THROTTLE BODY – FLOAT BOWL PARTS				
30	7017436				Spring – Pump Return
31	7001674				Valve – Pump Discharge
32	NLA				Body and Bowl Assembly
33	7029341	7029341	–	–	Power Valve
34	NLA				Venturi Cluster Assembly
35	7021528				Insert – Main Well
36	KIT ONLY				Gasket – Venturi Cluster
37	7000293				Screw – Venturi Cluster – Long
38	7010433				Screw – Vent Cluster – Short
39	121841				Lockwasher – Cluster Screws
40	7002649	7002650	7002650	7002650	Jet – Main Metering
41	7003137				Retainer – Pump Rod
42	7020187				Pump Rod
43	1875293				Retainer – Pump Rod
44	7015280				Lever Pump Actuating
45	7010435				Screw – Pump Lever
46	7016864				Idle Needle
47	7011479				Spring – Idle Needle
48	7006213				Screw – Slow Idle Adjustment
49	7001690				Spring – Slow Idle Screw
50	7024430				Cam - Fast Idle
51	7003561				Screw – Cam
52	7020747				Rod – Choke
53	7027892				Idle Vent Valve Kit
54	7012548				Screw – Vent Arm
55	7029993				Valve – Idle Vent
56	3826302				Heat Insulator

7027194	Intake Aid Bleed Valve Assembly (A.I.R.)
---------	--

NLA – No Longer Available

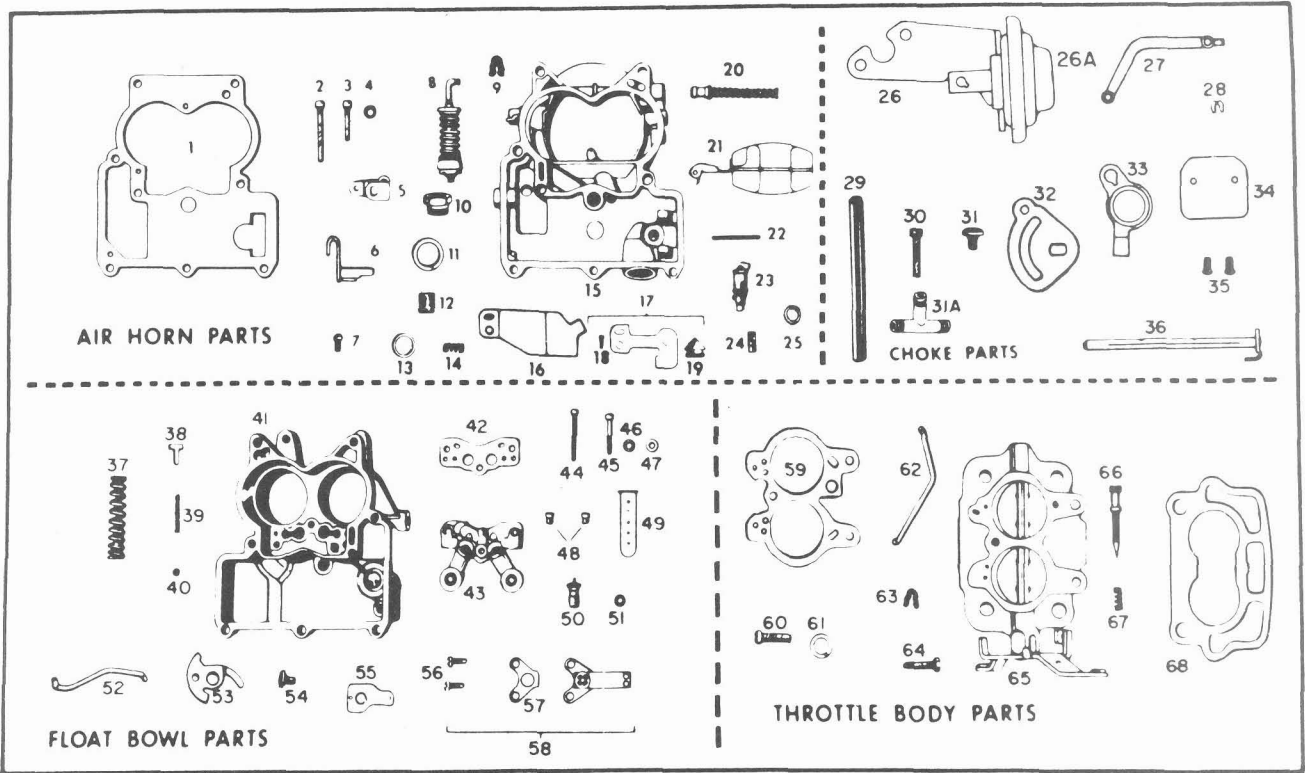


Delco Carburetor

MODEL 2GV CARBURETORS
 1967 CHEVROLET, CHEVY II,
 CAMARO, CHEVELLE V-8
 283 AND 327 CUBIC INCH ENGINE

BULLETIN 9C-3024
 DATE: NOVEMBER, 1971
 PAGE 1

PARTS SHOWN ARE FOR IDENTIFICATION ONLY, CONSULT PARTS LIST FOR CORRECT PART NAME AND NUMBER



PARTS IN ALL COLUMNS SAME EXCEPT WHERE INDICATED

MAN. TRANS. STANDARD	MAN. TRANS. AIR COND.	AUTO. TRANS. STANDARD	AUTO. TRANS. AIR COND.	AUTO. TRANS. STANDARD	AUTO. TRANS. AIR COND.	APPLICATION
7027101	7027103	7027110	7027112	7027114	7027116	CARBURETOR No. (W/O A.I.R.)
7037101	7037103	7037110	7037112	-	-	CARBURETOR No. (A.I.R.)
22-356	22-356	22-355	22-355	22-355	22-355	REPLACEMENT PKG. No. (W/O A.I.R.)
22-3016	22-3016	22-359	22-359	-	-	REPLACEMENT PKG. No. (A.I.R.)
7016740						OVERHAUL KIT
9109						POWER CARBURETOR KIT
40-342						GASKET SET

Illus. No.	AIR HORN PARTS						
1	7021008						Gasket - Air Horn
2	7010432						Screw - Air Horn (Long)
3	7006119						Screw - Air Horn (Short)
4	120217						Lockwasher - Air Horn Screws
5	7032377						Lever - Pump Inside
6	7036764						Pump Shaft and Lever Assembly
7	7011270						Screw - Pump Lever
8	7031824						Pump Assembly
9	1875293						Clip - Pump Plunger
10	7040953						Nut - Fuel Filter
-	137422						Elbow - Fuel Inlet
11	7032508						Gasket - Fuel Filter
12	7013404						Filter - Fuel Inlet
13	7013584						Gasket - Fuel Filter
14	7034356						Spring - Fuel Filter
15	7036550						Air Horn Assembly
16	7012835						Shield - Idle Vent Valve Kit
17	7012252						Idle Vent Valve Kit
18	7012548						Screw - Vent Valve and Shield
19	7029993						Idle Vent Valve

	7027101	7027103	7027110	7027112	7027114	7027116	CARBURETOR No. (W/O A.I.R.)
	7037101	7037103	7037110	7037112	-	-	CARBURETOR No. (A.I.R.)
Illus. No.	AIR HORN PARTS (Continued)						
20	7009054						Power Piston Assembly
21	7012974						Float Assembly
22	7002081						Pin - Float Hinge
23	30-9						Needle and Seat Assembly
24	7006079						Strainer - Needle Seat
25	KIT ONLY						Gasket - Needle Seat
-	7006474						Pull Clip - Float Needle
	CHOKE PARTS						
26	7036766						Vacuum Break Control Assembly (W/O A.I.R.)
26	7041822	7041822	7041822	7041822	-	-	Vacuum Break Control Assembly (A.I.R.)
27	7026685						Rod - Vacuum Control
28	7005109						Clip - Control Rod
29	7026339						Hose - Vacuum
30	7011270						Screw - Vacuum Control Attaching
31	7019709						Screw - Stat Rod Lever
31A	70760758						Tee - Air Bleed Valve
32	7038612						Lever - Stat Rod
33	7026556						Choke Lever
34	7025955						Choke Valve
35	7007627						Screw - Choke Valve
36	7024464						Choke Shaft Assembly
	FLOAT BOWL PARTS						
37	7004597						Spring - Pump Return
38	7000286						Guide - Pump Discharge
39	7002118						Spring - Pump Discharge
40	7002117						Ball - Pump Discharge
41	NLA						Float Bowl Assembly
42	KIT ONLY						Gasket - Venturi Cluster
43	NLA						Venturi Cluster Assembly
44	7000297						Screw - Venturi Cluster - Outer
45	7000294						Screw - Cluster - Center
46	7021841						Lockwasher - Outer Screws
47	KIT ONLY						Gasket - Center Screw
48	7002654	7002654	7002655	7002655	7002655	7002655	Jet - Standard
49	7021528						Insert - Main Well
50	7009349						Power Valve Assembly
51	KIT ONLY						Gasket - Power Valve
52	7026559						Choke Rod
53	7029979						Cam - Fast Idle (W/O A.I.R.)
53	7033076						Cam - Fast Idle (A.I.R.)
54	7023567						Screw - Cam Attaching
55	-	7013937	-	7013937	-	7013937	Cover Assembly - Idle Compensator
56	-	7015127	-	7015127	-	7015127	Screw - Idle Compensator
57	-	7013341	-	7013341	-	7013341	Gasket - Idle Compensator
58	-	7028925	-	7028925	-	7028925	Idle Compensator Kit
	THROTTLE BODY PARTS						
59	KIT ONLY						Gasket - Throttle Body
60	7015105						Screw - Throttle Body
61	7011744						Lockwasher - Throttle Body Screws
62	7005816						Pump Rod
63	7015793						Clip - Pump Rod
64	7029427						Idle Stop Screw
-	7029428						Spring - Idle Stop Screw
65	NLA						Throttle Body Assembly
66	7041621						Idle Adjusting Needle
67	7011479						Spring - Idle Needle
68	374952						Gasket - Flange

7033545	Intake Air Bleed Valve Assembly (A.I.R.)
---------	--

NLA - No Longer Available



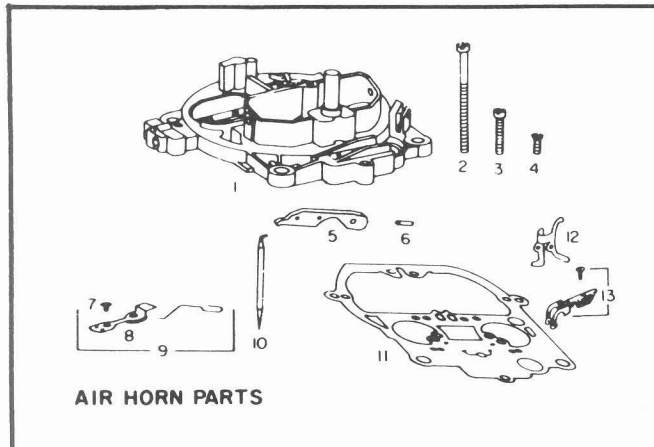
Delco Carburetor

MODEL 4MV QUADRAJET

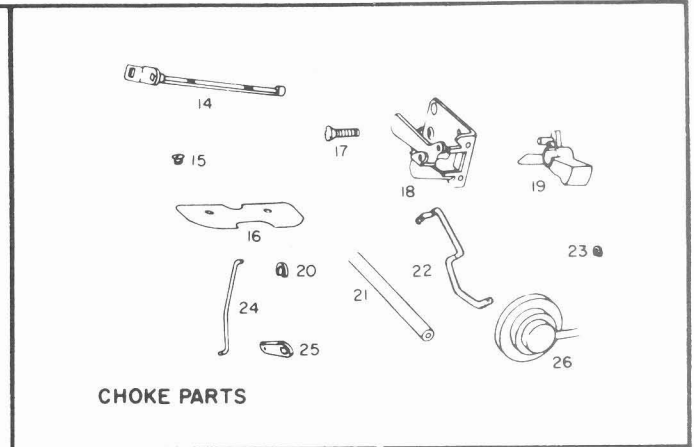
1967 CHEVROLET V-8
396 AND 427 CUBIC INCH ENGINES (EARLY)

BULLETIN 9C-3025
DATE: NOVEMBER, 1971
PAGE 1

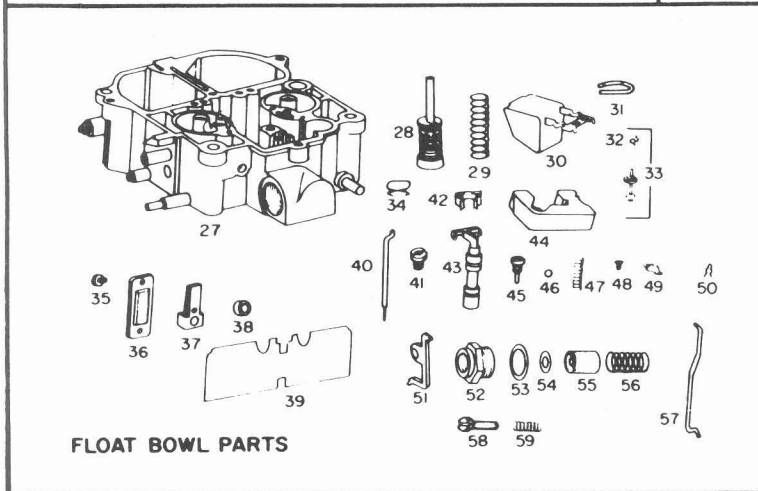
PARTS SHOWN ARE FOR IDENTIFICATION ONLY. CONSULT PARTS LIST FOR CORRECT PART NAME AND NUMBER.



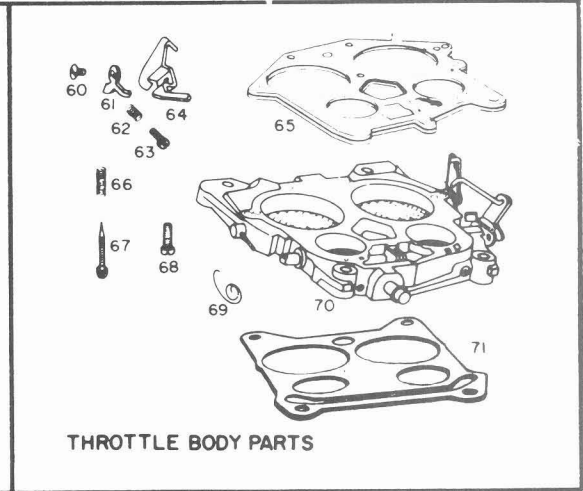
AIR HORN PARTS



CHOKE PARTS



FLOAT BOWL PARTS



THROTTLE BODY PARTS

PARTS IN ALL COLUMNS SAME EXCEPT WHERE INDICATED

	AUTO. TRANS. W/O A.I.R.	MAN. TRANS. W/O A.I.R.	AUTO. TRANS. A.I.R.	MAN. TRANS. A.I.R.	APPLICATION
	7027200	7027201	7037200	7037201	CARBURETOR No.
	24-386	24-385	24-386	24-385	REPLACEMENT PKG. No.
	7031428	7031429	7016654	7031429	OVERHAUL KIT
	9074				POWER CARBURETOR KIT
	40-315				GASKET SET

Illus. No.	AIR HORN PARTS				
1	NLA				Air Horn Assembly
2	7029912				Screw - Air Horn
3	7014699				Screw - Air Horn
4	7031105				Screw - Air Horn
5	7026139				Lever - Pump Actuating
6	9428787				Roll Pin - Pump and Lockout Levers
7	7012548				Screw - Idle Vent Valve
8	7029993				Valve - Idle Vent
9	7031423				Idle Vent Valve Kit
10	7033549				Metering Rod - Secondary
11	7029087				Gasket - Air Horn
12	7031393	-	7031393	-	Lockout Lever - Air Valve
13	7034522				Secondary Metering Rod Holder Kit
-	7035344				Air Valve Spring and Cam Kit

	7027200	7027201	7037200	7037201	CARBURETOR No.
Illus. No.	CHOKE PARTS				
14	7036430				Choke Shaft and Valve Kit
15	7029866				Screw – Choke Valve
16	NSS				Choke Valve
17	7031925				Screw – Vacuum Break Control
18	7036313				Vacuum Break Control Bracket Assembly
19	7031259				Cam – Fast Idle
20	7005109				Clip – Choke Rod
21	7026339				Hose – Vacuum
22	7038167				Rod – Vacuum Break
23	7005109				Clip – Vacuum Break Rod
24	7031394				Rod – Choke
25	7031231				Lever – Intermediate Choke
26	7038960				Vacuum Break Control Assembly
	FLOAT BOWL PARTS				
27	NLA				Float Bowl Assembly
28	7034111				Pump Assembly
29	7035672				Spring – Pump Return
30	7029854				Float Assembly
31	7029856				Hinge Pin – Float
32	7029885				Pull Clip – Float Needle
33	30-89				Float Needle and Diaphragm Assembly
34	7029862				Spring – Metering Rod – Primary
35	7020926				Screw – Cover Attaching
36	7029865				Cover – Idle Compensator
37	7034461				Idle Compensator Assembly
38	7027970				Gasket – Idle Compensator
39	7031365				Baffle Plate – Float Bowl
40	7031844	7031841	7031846	7031841	Metering Rod – Primary
41	7031971				Metering Jet – Primary
42	7034339				Retainer – Power Piston
43	7032979				Power Piston Assembly
44	7034666				Insert – Float Bowl
45	7029849				Retainer – Pump Discharge Ball
46	7002117				Ball – Pump Discharge
47	7029922				Spring – Power Piston
48	7007090				Screw – Diaphragm Retainer
49	7031377				Retainer – Float Needle Diaphragm
50	836159				Clip – Pump Rod
51	–	7027270	–	7027270	Lockout Lever – Secondary
52	7040954				Filter Nut – Fuel Inlet (See Note)
53	7032508				Gasket – Filter Nut
54	7013584				Gasket – Filter
55	7013404				Filter – Fuel Inlet
56	7034356				Spring – Inlet Filter
57	7032716				Rod – Pump
58	7002121				Screw – Idle Stop
59	7003176				Spring – Idle Stop Screw
	THROTTLE BODY PARTS				
60	7010435				Screw – Cam and Fast Idle Levers
61	7031933				Lever – Fast Idle
62	7029900				Spring – Fast Idle Screw
63	7029899				Screw – Fast Idle
64	7033912				Lever – Cam Follower
65	KIT ONLY				Gasket – Throttle Body
66	7011479				Spring – Idle Needle
67	7041612				Needle – Idle Adjusting
68	7029891				Screw – Throttle Body
69	–				Spring – Cam Follower Lever
70	NLA				Throttle Body Assembly
71	3884574				Gasket – Flange

7033547

Intake Air Bleed Valve Assembly (A.I.R.)

Note: For stripped threads, replace with 7041634 Adaptor Kit.

NLA – No Longer Available
NSS – Not Serviced Separately



Delco Carburetor

MODEL 4MV QUADRAJET

1967 CHEVROLET

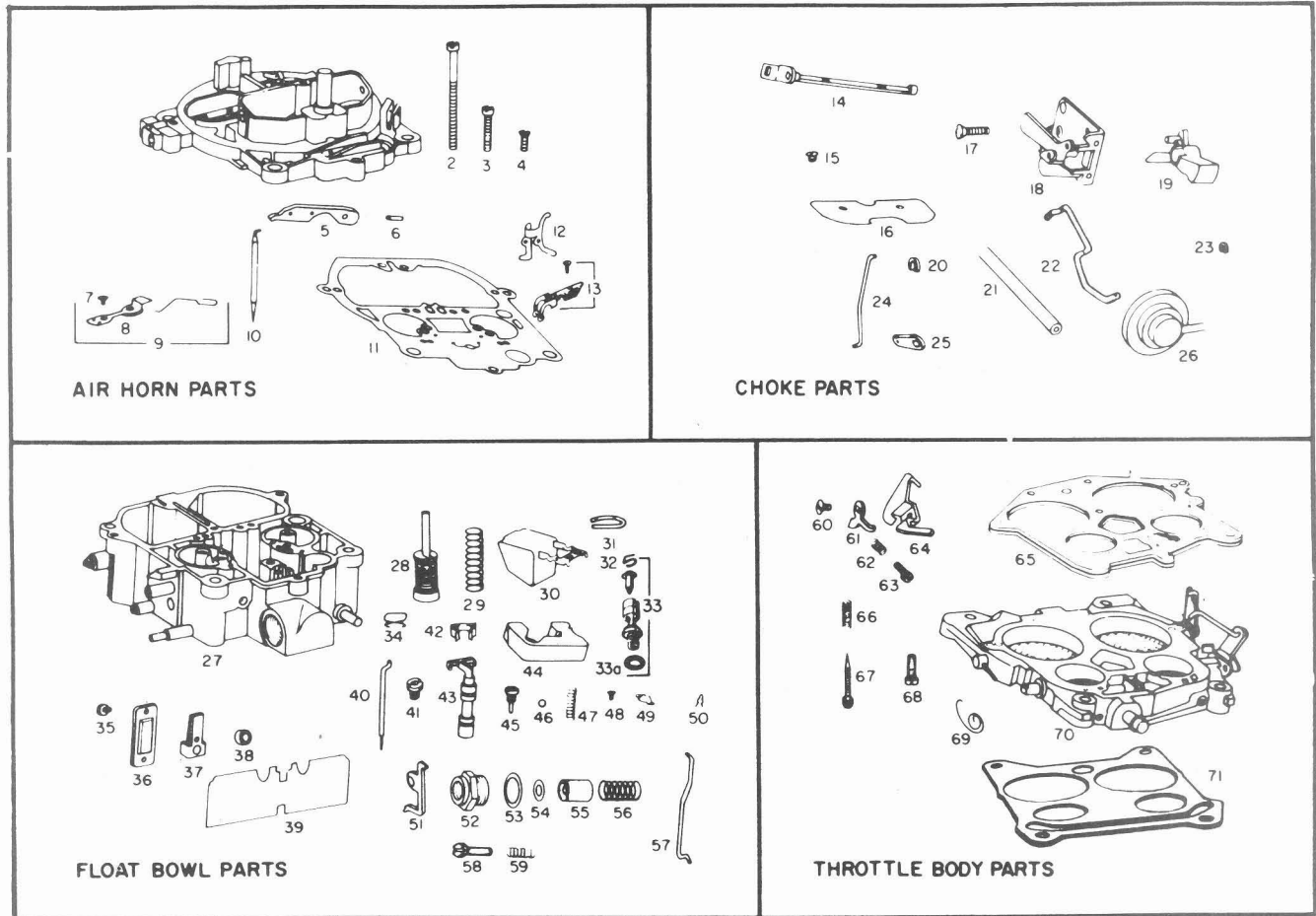
396 AND 427 CUBIC INCH ENGINES (LATE)

BULLETIN 9C-3026

DATE: NOVEMBER, 1971

PAGE 1

PARTS SHOWN ARE FOR IDENTIFICATION ONLY. CONSULT PARTS LIST FOR CORRECT PART NAME AND NUMBER



PARTS IN ALL COLUMNS SAME EXCEPT WHERE INDICATED

	AUTO. TRANS. W/O A.I.R.	MAN. TRANS. W/O A.I.R.	AUTO. TRANS. A.I.R.	MAN. TRANS. A.I.R.	APPLICATION
	7027210	7027211	7037210	7037211	CARBURETOR No.
	24-386	24-385	24-386	24-385	REPLACEMENT PACKAGE No.
	7034583	7034584	7034592	7034584	OVERHAUL KIT
	9115				POWER CARBURETOR KIT
	40-315				GASKET SET
Illus. No.	AIR HORN PARTS				
1	NLA				Air Horn Assembly
2	7029912				Screw - Air Horn
3	7014699				Screw - Air Horn
4	7031105				Screw - Air Horn
5	7026139				Lever - Pump Actuating
6	9428787				Roll Pin - Pump and Lockout Levers
7	7012548				Screw - Idle Vent Valve
8	7029993				Valve - Idle Vent
9	7031423				Idle Vent Valve Kit
10	7033549				Metering Rod - Secondary
11	7029087				Gasket - Air Horn
12	7031393	-	7031393	-	Lockout Lever - Air Valve
13	7034522				Secondary Metering Rod Holder Kit
-	7035344				Air Valve Spring and Cam Kit
-	7035494				Baffle - Air Horn

CO, WD, 131, 132:16, 9X, 9FR, 9FD

A.I.R. - Air Injection Reactor
NLA - No Longer Available

PRINTED IN U.S.A.
© 1971, GENERAL MOTORS CORP.

	7027210	7027211	7037210	7037211	CARBURETOR No.
	CHOKE PARTS				
Illus. No.					
14	7036430				Choke Shaft and Valve Kit
15	7029866				Screw – Choke Valve
16	NSS				Choke Valve
17	7031925				Screw – Vacuum Break Control
18	7036313				Vacuum Break Control Bracket Assembly
19	7031259				Cam – Fast Idle
20	7005109				Clip – Choke Rod
21	7026339				Hose – Vacuum
22	7038167				Rod – Vacuum Break
23	7005109				Clip – Vacuum Break Rod
24	7036067				Rod – Choke
25	7031231				Lever – Intermediate Choke
26	7038960				Vacuum Break Control Assembly
	FLOAT BOWL PARTS				
27	NLA				Float Bowl Assembly
28	7034111				Pump Assembly
29	7035672				Spring – Pump Return
30	7033752				Float Assembly
31	7029856				Hinge Pin – Float
32	7033751				Pull Clip – Float Needle
33	30-140				Needle and Seat Assembly
33A	KIT ONLY				Gasket – Needle Seat
34	7029862				Spring – Metering Rod – Primary
35	7020926	7020926	–	–	Screw – Cover Attaching
36	7029865	7029865	–	–	Cover – Idle Compensator
37	7034461	7034461	–	–	Idle Compensator Assembly
38	7027970	7027970	–	–	Gasket – Idle Compensator
39	7031365				Baffle Plate – Float Bowl
40	7031844	7031841	7031846	7031841	Metering Rod – Primary
41	7031971				Metering Jet – Primary
42	7034339				Retainer – Power Piston
43	7032979				Power Piston Assembly
44	7034361				Insert – Float Bowl
45	7029849				Retainer – Pump Discharge Ball
46	7002117				Ball – Pump Discharge
47	7029922				Spring – Power Piston
48	–				Screw – Diaphragm Retainer
49	–				Retainer – Float Needle Diaphragm
50	836159				Clip – Pump Rod
51	–	7027270	–	7027270	Lockout Lever – Secondary
52	7040955				Filter Nut – Fuel Inlet (See Note)
53	7032508				Gasket – Inlet Nut
54	–				Gasket – Filter
55	GF-427				Filter – Fuel Inlet
56	7034356				Spring – Inlet Filter
57	7032716				Rod – Pump
58	7002121				Screw – Idle Stop
59	7003176				Spring – Idle Stop Screw
	THROTTLE BODY PARTS				
60	7010435				Screw – Cam and Fast Idle Levers
61	7031933				Lever – Fast Idle
62	7029900				Spring – Fast Idle Screw
63	7029899				Screw – Fast Idle
64	7033912				Lever – Cam Follower
65	KIT ONLY				Gasket – Throttle Body
66	7011479				Spring – Idle Needle
67	7041612				Needle – Idle Adjusting
68	7029891				Screw – Throttle Body
69	–				Spring – Cam Follower Lever
70	NLA				Throttle Body Assembly
71	3884574				Gasket – Flange

NSS – Not Serviced Separately
 NLA – No Longer Available

7033546	Intake Air Bleed Valve Assembly
---------	---------------------------------

Note: For stripped threads, replace with 7041634 Adapter Kit.



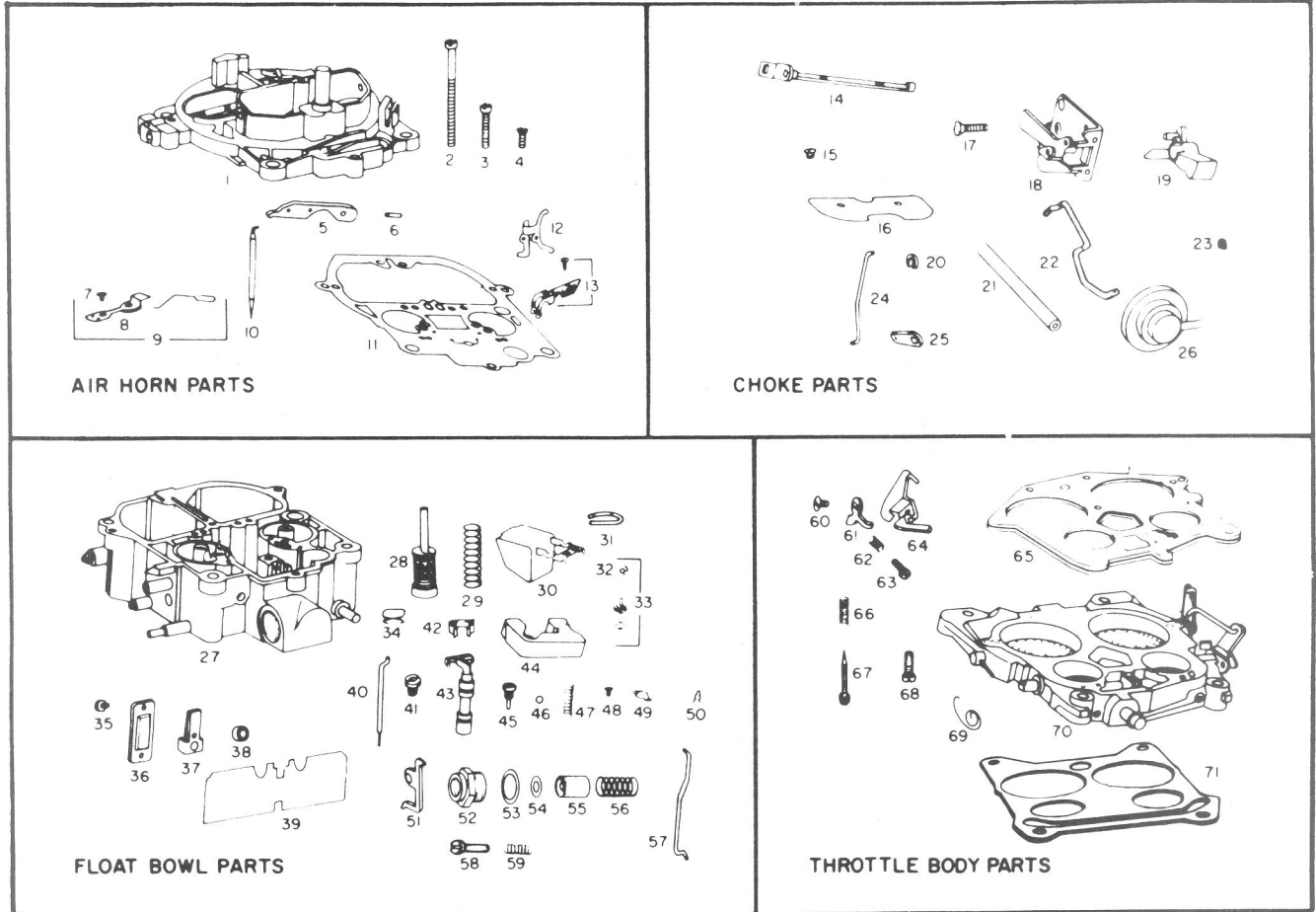
Delco Carburetor

BULLETIN 9C-3027
DATE: NOVEMBER, 1971
PAGE 1

MODEL 4MV QUADRAJET

1967 CHEVROLET V-8
327 AND 350 CUBIC INCH ENGINE (1ST TYPE)

PARTS SHOWN ARE FOR IDENTIFICATION ONLY. CONSULT PARTS LIST FOR CORRECT PART NAME AND NUMBER



PARTS IN ALL COLUMNS SAME – EXCEPT WHERE INDICATED

	AUTO. TRANS. W/O A.I.R.	MAN. TRANS. W/O A.I.R.	AUTO. TRANS. A.I.R.	MAN. TRANS. A.I.R.	APPLICATION
	7027202	7027203	7037202	7037203	CARBURETOR No.
	24-350	24-351	24-350	24-351	REPLACEMENT PKG. No.
	7033070	7016657	7033070	7031429	OVERHAUL KIT
	9074				POWER CARBURETOR KIT
	40-315				GASKET SET
Illus. No.	AIR HORN PARTS				
1	NLA				Air Horn Assembly
2	7029912				Screw – Air Horn
3	7014699				Screw – Air Horn
4	7031105				Screw – Air Horn
5	7026139				Lever – Pump Actuating
6	9428787				Roll Pin – Pump and Lockout Levers
7	7012548				Screw – Idle Vent Valve
8	7029993				Valve – Idle Vent
9	7031423				Idle Vent Valve Kit
10	7034320				Metering Rod – Secondary
11	7029087				Gasket – Air Horn
12	7031393	–	7031393	–	Lockout Lever – Air Valve
13	7034522				Secondary Metering Rod Holder Kit
–	7035344				Air Valve Spring and Cam Kit

	7027202	7027203	7037202	7037203	CARBURETOR No.
Illus. No.	CHOKE PARTS				
14	7036430				Choke Shaft and Valve Kit
15	7029866				Screw – Choke Valve
16	NSS				Choke Valve
17	7031925				Screw – Vacuum Break Control
18	7036310				Vacuum Break Control Bracket Assembly
19	7033859	7033814	7033859	7033814	Cam – Fast Idle
20	7005109				Clip – Choke Rod
21	7026339				Hose – Vacuum
22	7038167				Rod – Vacuum Break
23	7005109				Clip – Vacuum Break Rod
24	7031394				Rod – Choke
25	7031231				Lever – Intermediate Choke
26	7038960				Vacuum Break Control Assembly
	FLOAT BOWL PARTS				
27	NLA				Float Bowl Assembly
28	7034111				Pump Assembly
29	7035672				Spring – Pump Return
30	7029854				Float Assembly
31	7029856				Hinge Pin – Float
32	7029885				Pull Clip – Float Needle
33	30-89				Float Needle and Diaphragm Assembly
34	7029862				Spring – Metering Rod – Primary
35	7020926				Screw – Cover Attaching
36	7029865				Cover – Idle Compensator
37	7034461				Idle Compensator Assembly
38	7027970				Gasket – Idle Compensator
39	7032324				Baffle Plate – Float Bowl
40	7031845	7031843	7031845	7031841	Metering Rod – Primary
41	7031971				Metering Jet – Primary
42	7034339				Retainer – Power Piston
43	7032979				Power Piston Assembly
44	7034666				Insert – Float Bowl
45	7029849				Retainer – Pump Discharge Ball
46	7002117				Ball – Pump Discharge
47	7029922				Spring – Power Piston
48	7007090				Screw – Diaphragm Retainer
49	7031377				Retainer – Float Needle Diaphragm
50	836159				Clip – Pump Rod
51	–	7027270	–	7027270	Lockout Lever – Secondary
52	7040952				Filter Nut – Fuel Inlet (See Note)
53	7032508				Gasket – Filter Nut
54	7013584				Gasket – Filter
55	7013404				Filter – Fuel Inlet
56	7034356				Spring – Inlet Filter
57	7032716				Rod – Pump
58	7002121				Screw – Idle Stop
59	7003176				Spring – Idle Stop Screw
	THROTTLE BODY PARTS				
60	7010435				Screw – Cam and Fast Idle Levers
61	7031933				Lever – Fast Idle
62	7029900				Spring – Fast Idle Screw
63	7029899				Screw – Fast Idle
64	7033912				Lever – Cam Follower
65	KIT ONLY				Gasket – Throttle Body
66	7011479				Spring – Idle Needle
67	7041612				Needle – Idle Adjusting
68	7029891				Screw – Throttle Body
69	–				Spring – Cam Follower Lever
70	NLA				Throttle Body Assembly
71	3884574				Gasket – Flange

NLA – No Longer Available
 NSS – Not Serviced Separately

7033546	Intake Air Bleed Valve Assembly (A.I.R.)
---------	--

Note: For stripped threads, replace with 7041635 Adaptor Kit.



Delco Carburetor

MODEL 4MV QUADRAJET

1967 CHEVROLET

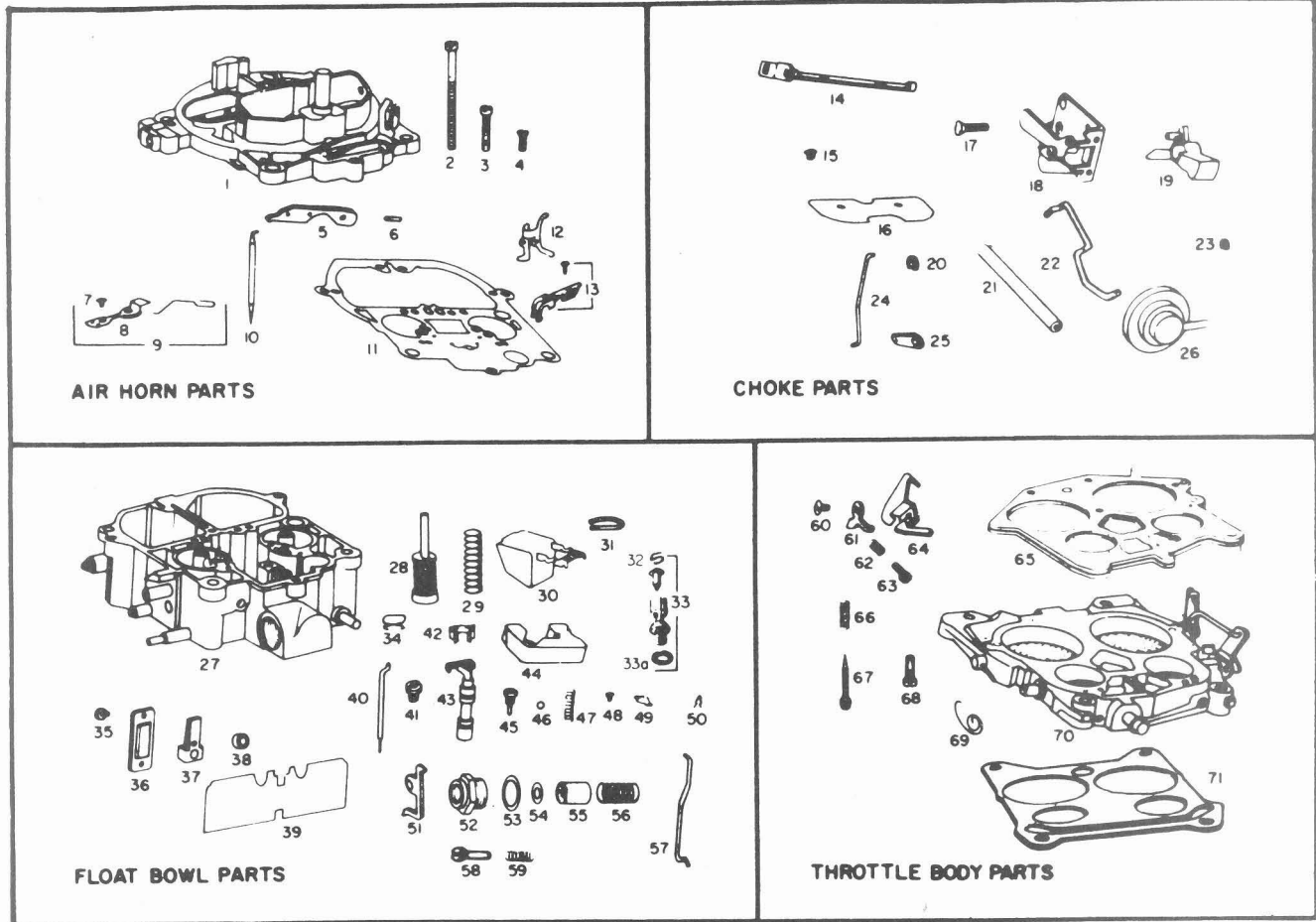
327 AND 350 CUBIC INCH ENGINES (2ND TYPE)

BULLETIN 9C-3028

DATE: NOVEMBER, 1971

PAGE: 1

PARTS SHOWN ARE FOR IDENTIFICATION ONLY. CONSULT PARTS LIST FOR CORRECT PART NAME AND NUMBER



PARTS IN ALL COLUMNS SAME EXCEPT WHERE INDICATED

	AUTO. TRANS. W/O A.I.R.	MAN. TRANS. W/O A.I.R.	AUTO. TRANS. A.I.R.	MAN. TRANS. A.I.R.	APPLICATION
	7027212	7027213	7037212	7037213	CARBURETOR No.
	24-350	24-351	24-350	24-351	REPLACEMENT PACKAGE No.
	7034585	7034586	7034585	7035340	OVERHAUL KIT
	9116				POWER CARBURETOR KIT
	40-315				GASKET SET
Illus. No.	AIR HORN PARTS				
1	NLA				Air Horn Assembly
2	7029912				Screw - Air Horn
3	7014699				Screw - Air Horn
4	7031105				Screw - Air Horn
5	7026139				Lever - Pump Actuating
6	9428787				Roll Pin - Pump and Lockout Levers
7	7012548				Screw - Idle Vent Valve
8	7029993				Valve - Idle Vent
9	7031423				Idle Vent Valve Kit
10	7034320				Metering Rod - Secondary
11	7029087				Gasket - Air Horn
12	7031393	-	7031393	-	Lockout Lever - Air Valve
13	7034522				Secondary Metering Rod Holder Kit
-	7035344				Air Valve Spring and Cam Kit

	7027212	7027213	7037212	7037213	CARBURETOR No.
					CHOKE PARTS
Illus. No.					
14	7036430				Choke Shaft and Valve Kit
15	7029866				Screw - Choke Valve
16	NSS				Choke Valve
17	7031925				Screw - Vacuum Break Control
18	7036310				Vacuum Break Control Bracket Assembly
19	7033859	7033814	7033859	7033814	Cam - Fast Idle
20	7005109				Clip - Choke Rod
21	7026339				Hose - Vacuum
22	7038167				Rod - Vacuum Break
23	7005109				Clip - Vacuum Break Rod
24	7036067				Rod - Choke
25	7031231				Lever - Intermediate Choke
26	7038960				Vacuum Break Control Assembly
					FLOAT BOWL PARTS
27	NLA				Float Bowl Assembly
28	7034111				Pump Assembly
29	7035672				Spring - Pump Return
30	7034454				Float Assembly
31	7029856				Hinge Pin - Float
32	7033751				Pull Clip - Float Needle
33	30-130				Needle and Seat Assembly
33A	KIT ONLY				Gasket - Needle Seat
34	7029862				Spring - Metering Rod - Primary
35	7020926	7020926	-	-	Screw - Cover Attaching
36	7029865	7029865	-	-	Cover - Idle Compensator
37	7034461	7034461	-	-	Idle Compensator Assembly
38	7027970	7027970	-	-	Gasket - Idle Compensator
39	7032324				Baffle Plate - Float Bowl
40	7031845	7031843	7031845	7031841	Metering Rod - Primary
41	7031971				Metering Jet - Primary
42	7034339				Retainer - Power Piston
43	7032979				Power Piston Assembly
44	7034361				Insert - Float Bowl
45	7029849				Retainer - Pump Discharge Ball
46	7002117				Ball - Pump Discharge
47	7029922				Spring - Power Piston
48					Screw - Diaphragm Retainer
49					Retainer - Float Needle Diaphragm
50	836159				Clip - Pump Rod
51	-	7027270	-	7027270	Lockout Lever - Secondary
52	7040955				Filter Nut - Fuel Inlet (See Note)
53	7032508				Gasket - Inlet Nut
54	-				Gasket - Filter
55	GF 427				Filter - Fuel Inlet
56	7034356				Spring - Inlet Filter
57	7032716				Rod - Pump
58	7002121				Screw - Idle Stop
59	7003176				Spring - Idle Stop Screw
					THROTTLE BODY PARTS
60	7010435				Screw - Cam and Fast Idle Levers
61	7031933				Lever - Fast Idle
62	7029900				Spring - Fast Idle Screw
63	7029899				Screw - Fast Idle
64	7033912				Lever - Cam Follower
65	KIT ONLY				Gasket - Throttle Body
66	7011479				Spring - Idle Needle
67	7041612				Needle - Idle Adjusting
68	7029891				Screw - Throttle Body
69	-				Spring - Cam Follower Lever
70	NLA				Throttle Body Assembly
71	3884574				Gasket - Flange

NSS - Not Serviced Separately
 NLA - No Longer Available

7033547	Intake Air Bleed Valve Assembly
---------	---------------------------------

Note: For stripped threads, replace with 7041634 Adaptor Kit.



Delco Carburetor

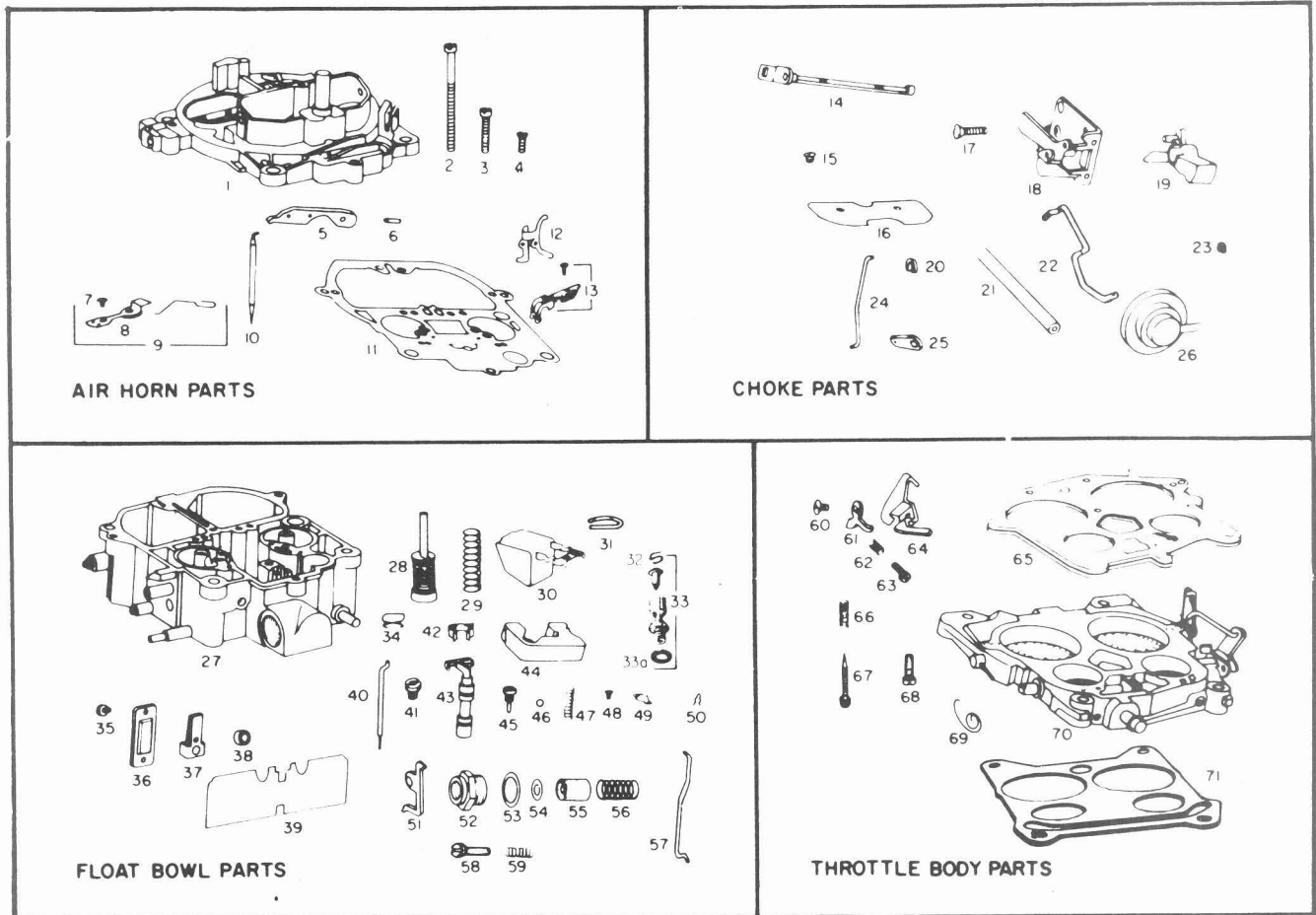
MODEL 4MV QUADRAJET

1967 CHEVROLET

AUTOMATIC TRANSMISSION (THIRD TYPE)

BULLETIN 9C-3029
DATE: NOVEMBER, 1971
PAGE 1

PARTS SHOWN ARE FOR IDENTIFICATION ONLY. CONSULT PARTS LIST FOR CORRECT PART NAME AND NUMBER



PARTS IN ALL COLUMNS SAME – EXCEPT WHERE INDICATED

	396/427	396/427	327/350	327/350	APPLICATION
	W/O A.I.R.	A.I.R.	W/O A.I.R.	A.I.R.	
	7027216	7037216	7027218	7037218	CARBURETOR No.
	24-386	24-386	24-350	24-350	REPLACEMENT PACKAGE No.
	7034583	7034592	7034585	7034585	OVERHAUL KIT
	9115	9115	9116	9116	POWER CARBURETOR KIT
	40-315				GASKET SET

Illus. No.	AIR HORN PARTS				
1	NLA				Air Horn Assembly
2	7029912				Screw – Air Horn
3	7014699				Screw – Air Horn
4	7031105				Screw – Air Horn
5	7026139				Lever – Pump Actuating
6	9428787				Roll Pin – Pump and Lockout Levers
7	7012548				Screw – Idle Vent Valve
8	7029993				Valve – Idle Vent
9	7031423				Idle Vent Valve Kit
10	7033549	7033549	7034320	7034320	Metering Rod – Secondary
11	7029087				Gasket – Air Horn
12	–				Lockout Lever – Air Valve
13	7034522				Secondary Metering Rod Holder Kit
–	7035344				Air Valve Spring and Cam Kit
–	7035494	7035494	–	–	Baffle – Air Horn

	7027216	7037216	7027218	7037218	CARBURETOR No.
Illus. No.	CHOKE PARTS				
14	7036430				Choke Shaft and Valve Kit
15	7029866				Screw – Choke Valve
16	NSS				Choke Valve
17	7031925				Screw – Vacuum Break Control
18	7036313	7036313	7036310	7036310	Vacuum Break Control Bracket Assembly
19	7031259	7031259	7033859	7033859	Cam – Fast Idle
20	7005109				Clip – Choke Rod
21	7026339				Hose – Vacuum
22	7038167				Rod – Vacuum Break
23	7005109				Clip – Vacuum Break Rod
24	7036067				Rod – Choke
25	7031231				Lever – Intermediate Choke
26	7038960				Vacuum Break Control Assembly
	FLOAT BOWL PARTS				
27	NLA				Float Bowl Assembly
28	7034111				Pump Assembly
29	7035672				Spring – Pump Return
30	7033752	7033752	7034454	7034454	Float Assembly
31	7029856				Hinge Pin – Float
32	7033751				Pull Clip – Float Needle
33	30-140	30-140	30-130	30-130	Needle and Seat Assembly
33A	KIT ONLY				Gasket – Needle Seat
34	7029862				Spring – Metering Rod – Primary
35	7020926	–	7020926	–	Screw – Cover Attaching
36	7029865	–	7029865	–	Cover – Idle Compensator
37	7034461	–	7034461	–	Idle Compensator Assembly
38	7027970	–	7027970	–	Gasket – Idle Compensator
39	7031365	7031365	7032324	7032324	Baffle Plate – Float Bowl
40	7031844	7031846	7031845	7031845	Metering Rod – Primary
41	7031971				Metering Jet – Primary
42	7034339				Retainer – Power Piston
43	7032979				Power Piston Assembly
44	7034361				Insert – Float Bowl
45	7029849				Retainer – Pump Discharge Ball
46	7002117				Ball - Pump Discharge
47	7029922				Spring – Power Piston
48	–				Screw – Diaphragm Retainer
49	–				Retainer – Float Needle Diaphragm
50	836159				Clip – Pump Rod
51	7027270				Lockout Lever – Secondary
52	7040955				Filter Nut – Fuel Inlet (See Note)
53	7032508				Gasket – Inlet Nut
54	–				Gasket – Filter
55	GF-427				Filter – Fuel Inlet
56	7034356				Spring – Inlet Filter
57	7032716				Rod – Pump
58	7002121				Screw – Idle Stop
59	7003176				Spring – Idle Stop Screw
	THROTTLE BODY PARTS				
60	7010435				Screw – Cam and Fast Idle Levers
61	7031933				Lever – Fast Idle
62	7029900				Spring – Fast Idle Screw
63	7029899				Screw – Fast Idle
64	7033912				Lever – Cam Follower
65	KIT ONLY				Gasket – Throttle Body
66	7011479				Spring – Idle Needle
67	7041612				Needle – Idle Adjusting
68	7029891				Screw – Throttle Body
69	–				Spring – Cam Follower Lever
70	NLA				Throttle Body Assembly
71	3884574				Gasket – Flange

NSS – Not Serviced Separately

NLA – No Longer Available

Note: For stripped thread, replace with 7041634 Adapter Kit.

7033546	Intake Air Bleed Valve Assembly 327/350
7033547	Intake Air Bleed Valve Assembly 396/427