

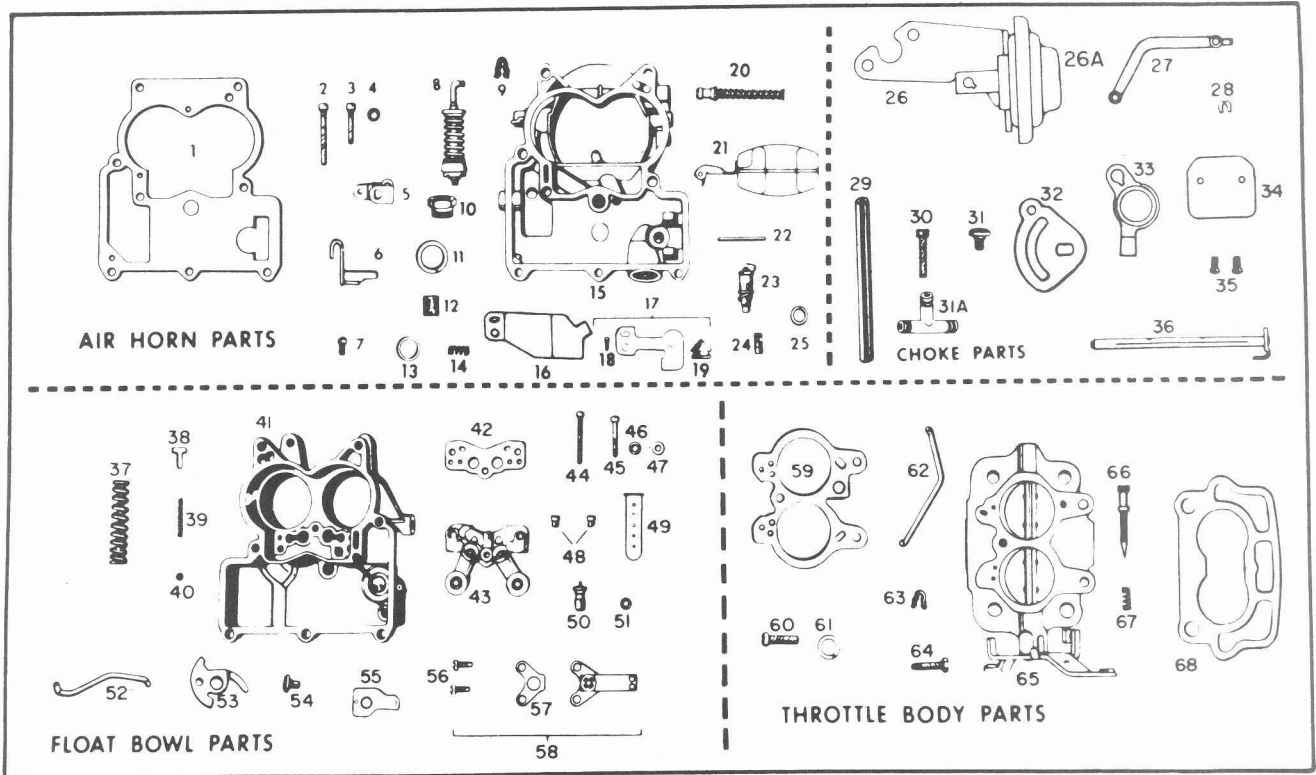


Delco Carburetor

MODEL 2GV CARBURETORS
 1968 CHEVROLET, CHEVY II,
 CAMARO, CHEVELLE V-8
 307 AND 327 CUBIC INCH ENGINES

BULLETIN 9C-3030
 DATE: NOVEMBER, 1971
 PAGE 1

PARTS SHOWN ARE FOR IDENTIFICATION ONLY, CONSULT PARTS LIST FOR CORRECT PART NAME AND NUMBER



PARTS IN ALL COLUMNS SAME – EXCEPT WHERE INDICATED

	MAN.TRANS. STANDARD	MAN.TRANS. AIR COND.	AUTO.TRANS. STANDARD	AUTO.TRANS. AIR COND.	APPLICATION
	7028101	7028103	7028110	7028112	CARBURETOR No.
	22-3015	22-3015	22-359	22-359	REPLACEMENT PKG. No.
	7016740				OVERHAUL KIT
	9109				POWER CARBURETOR KIT
	40-342				GASKET SET
Illus.No.	AIR HORN PARTS				
1	7021008				Gasket – Air Horn
2	7010432				Screw – Air Horn (Long)
3	7006119				Screw – Air Horn (Short)
4	120217				Lockwasher – Air Horn Screws
5	7032377				Lever – Pump Inside
6	7036764				Pump Shaft and Lever Assembly
7	7011270				Screw – Pump Lever
8	7031824				Pump Assembly
9	1875293				Clip – Pump Plunger
10	7040953				Nut – Fuel Filter
–	137422				Elbow – Fuel Inlet
11	7032508				Gasket – Fuel Filter
12	7013404				Filter – Fuel Inlet
13	7013584				Gasket – Fuel Filter
14	7034356				Spring – Fuel Filter
15	7036550				Air Horn Assembly
16	7012835				Shield – Idle Vent Valve Kit
17	7012252				Idle Vent Valve Kit
18	7012548				Screw – Vent Valve and Shield
19	7007129				Idle Vent Valve

	7028101	7028103	7028110	7028112	CARBURETOR No.
Illus. No.	AIR HORN PARTS (Continued)				
20	7006323				Power Piston Assembly
21	7012974				Float Assembly
22	7002081				Pin – Float Hinge
23	30-9				Needle and Seat Assembly
24	7006079				Strainer – Needle Seat
25	KIT ONLY				Gasket – Needle Seat
–	7006474				Pull Clip – Float Needle
	CHOKE PARTS				
26	7036768				Vacuum Break Control & Bracket Assembly
26A	7036769				Vacuum Break Control Assembly
27	7026685				Rod – Vacuum Control
28	7005109				Clip – Control Rod
29	7026339				Hose – Vacuum
30	7011270				Screw – Vacuum Control Attaching
31	7019709				Screw – Stat Rod Lever
31 A	3760758				Tee – Air Bleed Valve
32	7038612				Lever – Stat Rod
33	7026239				Choke Lever
34	7025955				Choke Valve
35	7007627				Screw – Choke Valve
36	7024464				Choke Shaft Assembly
	FLOAT BOWL PARTS				
37	7004597				Spring – Pump Return
38	7000286				Guide – Pump Discharge
39	7002118				Spring – Pump Discharge
40	7002117				Ball - Pump Discharge
41	7036402	7036403	7036404	7036405	Float Bowl Assembly
42	KIT ONLY				Gasket – Venturi Cluster
43	7035641	7035641	7035645	7035645	Venturi Cluster Assembly
44	7000293				Screw – Venturi Cluster – Cuter
45	7000294				Screw – Cluster – Center
46	121841				Lockwasher – Outer Screws
47	KIT ONLY				Gasket – Center Screw
48	7002653	7002653	7002652	7002652	Jet – Standard
49	7021528				Insert – Main Well
50	7010918				Power Valve Assembly
51	KIT ONLY				Gasket – Power Valve
52	7026559				Choke Rod
53	7029979			7035923	Cam – Fast Idle
54	7003561				Screw – Cam Attaching
55	–	7013937	–	7013937	Cover Assembly – Idle Compensator
56	–	7015127	–	7015127	Screw – Idle Compensator
57	–	7013341	–	7013341	Gasket – Idle Compensator
58	–	7036644	–	7036644	Idle Compensator Kit
	THROTTLE BODY PARTS				
59	KIT ONLY				Gasket – Throttle Body
60	7015105				Screw – Throttle Body
61	121744				Lockwasher – Throttle Body Screws
62	7005816				Pump Rod
63	1875293				Clip – Pump Rod
64	7029427				Idle Stop Screw
–	7029428				Spring – Idle Stop Screw
65	7035428	7035429	7035426	7035427	Throttle Body Assembly
66	7041621				Idle Adjusting Needle
67	7011479				Spring – Idle Needle
68	3704952				Gasket – Flange

7036453	Diverter Valve Assembly (Impala, Caprice, Malibu, Concours)
7036451	Diverter Valve Assembly (All Others)



Delco Carburetor

MODEL 4MV QUADRAJET

1968 CHEVROLET, CORVETTE,
CHEVY II

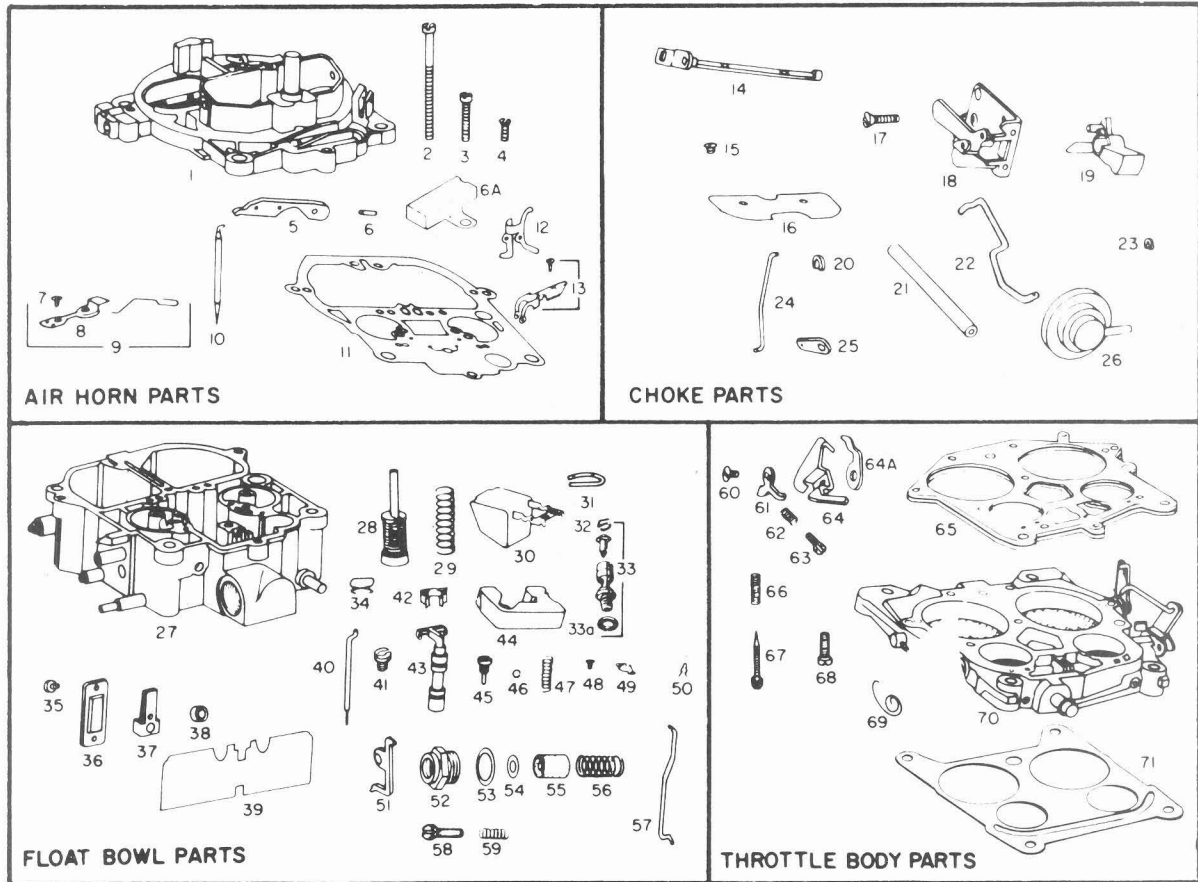
327 & 350 CUBIC INCH ENGINES

BULLETIN 9C-3031

DATE: NOVEMBER, 1971

PAGE 1

PARTS SHOWN ARE FOR IDENTIFICATION ONLY. CONSULT PARTS LIST FOR CORRECT PART NAME AND NUMBER



PARTS IN ALL COLUMNS SAME – EXCEPT WHERE INDICATED

	CHEVROLET AUTO. TRANS.	CHEVROLET MAN. TRANS.	CORVETTE AUTO. TRANS.	CORVETTE MAN. TRANS.	CORVETTE H.P. MAN. TRANS.	CHEVY II H.P. MAN. TRANS.	APPLICATION
	7028212	7028213	7028208	7028207	7028219	7028229	CARBURETOR No.
	24-380	24-379	24-380	24-379	24-381	24-381	REPLACEMENT PACKAGE No.
	7016851	7016851	7016851	7016851	7036455	7036455	OVERHAUL KIT
	9133						POWER CARBURETOR KIT
	40-351						GASKET SET
Illus. No.	AIR HORN PARTS						
1	7034898	7034898	7034898	7034898	7035919	7035919	Air Horn Assembly
2	7029912						Screw – Air Horn
3	7014699						Screw – Air Horn
4	7031105						Screw – Air Horn
5	7026139						Lever – Pump Actuating
6	9428787						Roll Pin – Pump and Lockout Levers
6A	7035431						Shield – Idle Vent
7	7012548						Screw – Idle Vent Valve
8	7029993						Valve – Idle Vent
9	7036425						Idle Vent Valve Kit
10	7034320	7034320	7034320	7034320	7034822	7034822	Metering Rod – Secondary
11	7029087						Gasket – Air Horn
12	–						Lockout Lever – Air Valve
13	7034522						Secondary Metering Rod Holder Kit
–	7035344						Air Valve Spring and Cam Kit

	7028212	7028213	7028208	7028207	7028219	7028229	CARBURETOR No.
Illus. No.	CHOKE PARTS						
14	7036430						Choke Shaft and Valve Kit
15	7029866						Screw - Choke Valve
16	NSS						Choke Valve
17	7031925						Screw - Vacuum Break Control
18	7036367						Vacuum Break Control Bracket Assembly
19	7036820	7036819	7036820	7036819	7036819	7036819	Cam - Fast Idle
20	7005109						Clip - Choke Rod
21	7026339						Hose - Vacuum
22	7038167						Rod - Vacuum Break
23	7005109						Clip - Vacuum Break Rod
24	7036067						Rod - Choke
25	7031231						Lever - Intermediate Choke
26	7038960						Vacuum Break Control Assembly
	FLOAT BOWL PARTS						
27	7036318	7036319	7036318	7036319	7036319	7036319	Float Bowl Assembly
28	7034111						Pump Assembly
29	7035672						Spring - Pump Return
30	7034454						Float Assembly
31	7029856						Hinge Pin - Float
32	7033751						Pull Clip - Float Needle
33	30-130						Needle and Seat Assembly
33A	KIT ONLY						Gasket - Needle Seat
34	7029862						Spring - Metering Rod - Primary
35	-						Screw - Cover Attaching
36	-						Cover - Idle Compensator
37	-						Idle Compensator Assembly
38	-						Gasket - Idle Compensator
39	7032324						Baffle Plate - Float Bowl
40	7034846	7034846	7034846	7034846	7034836	7034836	Metering Rod - Primary
41	7031971	7031971	7031971	7031971	7031966	7031966	Metering Jet - Primary
42	7034339						Retainer - Power Piston
43	7034903						Power Piston Assembly
44	7034361						Insert - Float Bowl
45	7029849						Retainer - Pump Discharge Ball
46	7002117						Ball - Pump Discharge
47	7036019						Spring - Power Piston
48	-						Screw - Diaphragm Retainer
49	-						Retainer - Float Needle Diaphragm
50	836159						Clip - Pump Rod
51	7027270						Lockout Lever - Secondary
52	7040955						Filter Nut - Fuel Inlet (See Note)
53	7032508						Gasket - Inlet Nut
54	-						Gasket - Filter
55	GF-427						Filter - Fuel Inlet
56	7034356						Spring - Inlet Filter
57	7032716						Rod - Pump
58	7002121						Screw - Idle Stop
59	7003176						Spring - Idle Stop Screw
	THROTTLE BODY PARTS						
60	7035523						Screw - Cam and Fast Idle Levers Attaching
61	7035806						Lever - Fast Idle
62	7029900						Spring - Fast Idle Screw
63	7029899						Screw - Fast Idle Adjusting
64	7035409						Lever - Cam Follower
64A	7035840						Lever - Wide Open Kick
65	KIT ONLY						Gasket - Throttle Body
66	7011479						Spring - Idle Needle
67	7041612						Needle - Idle Adjusting
68	7029891						Screw - Throttle Body
69	7035772						Spring - Cam Follower Lever
70	7036407	7036406	7036407	7036406	7036412	7036412	Throttle Body Assembly
71	3884574						Gasket - Flange

ACCESSORIES

7036452	Diverter Valve Assembly (All Except Corvette)
7036449	Diverter Valve Assembly (Corvette)



Delco Carburetor

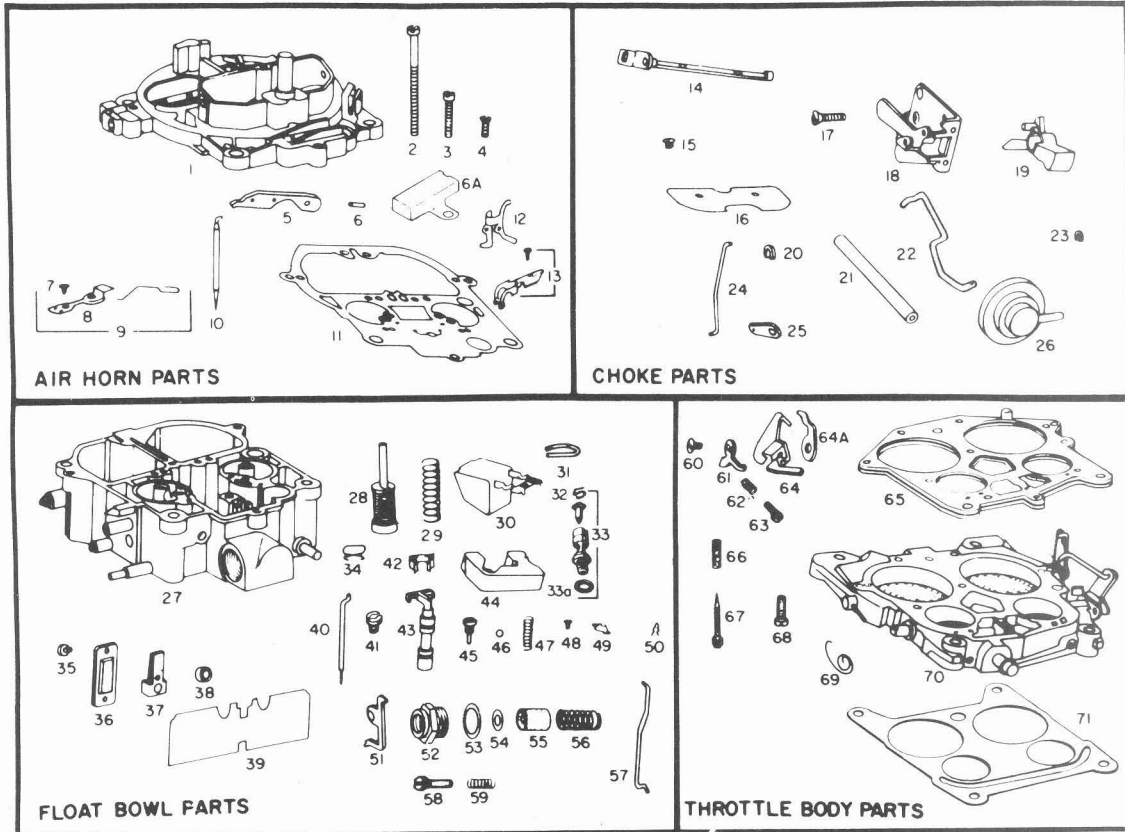
MODEL 4MV QUADRAJET

1968 CHEVROLET, CORVETTE, CHEVELLE & CAMARO

396 AND 427 CUBIC INCH ENGINES

BULLETIN 9C-3032
DATE: NOVEMBER, 1971
PAGE 1

PARTS SHOWN ARE FOR IDENTIFICATION ONLY. CONSULT PARTS LIST FOR CORRECT PART NAME AND NUMBER



PARTS IN ALL COLUMNS SAME – EXCEPT WHERE INDICATED

	396 & 427 STD. AUTO. TRANS.	396 & 427 STD. MAN. TRANS.	427 H.P. AUTO. TRANS.	427 H.P. MAN. TRANS.	396 H.P. AUTO. TRANS.	396 H.P. MAN. TRANS.	APPLICATION
	7028210	7028211	7028216	7028209	7028218	7028217	CARBURETOR No.
	24-382	24-383	24-3020	24-3021	24-384	24-383	REPLACEMENT PACKAGE No.
	7016838	7016839	7036325	7016839	7036325	7016839	OVERHAUL KIT
	9126						POWER CARBURETOR KIT
	40-351						GASKET SET
	AIR HORN PARTS						
Illus. No.							
1	7034896	7034897	7034897	7034897	7034897	7034897	Air Horn Assembly
2	7029912						Screw – Air Horn
3	7014699						Screw – Air Horn
4	7031105						Screw – Air Horn
5	7026139						Lever – Pump Actuating
6	9428787						Roll Pin – Pump and Lockout Levers
6A	7035431						Shield – Idle Vent
7	7012548						Screw – Idle Vent Valve
8	7029993						Valve – Idle Vent
9	7036425						Idle Vent Valve Kit
10	7033549						Metering Rod – Secondary
11	7029087						Gasket – Air Horn
12							Lockout Lever – Air Valve
13	7034522						Secondary Metering Rod Holder Kit
-	7035344						Air Valve Spring and Cam Kit
-	7035494	7035494	-	-	7035494		Baffle – Air Horn

	7028210	7028211	7028216	7028209	7028218	7028217	CARBURETOR No.
Illus. No.	CHOKE PARTS						
14	7036430						Choke Shaft and Valve Kit
15	7029866						Screw – Choke Valve
16	NSS						Choke Valve
17	7031925						Screw – Vacuum Break Control
18	7036367	7036367	7036368	7036368	7036367	7036367	Vacuum Break Control Bracket Assembly
19	7036820						Cam – Fast Idle
20	7005109						Clip – Choke Rod
21	7026339						Hose – Vacuum
22	7038167						Rod – Vacuum Break
23	7005109						Clip – Vacuum Break Rod
24	7036067						Rod – Choke
25	7031231						Lever – Intermediate Choke
26	7038960						Vacuum Break Control Assembly
	FLOAT BOWL PARTS						
27	7036308	7036309	7036309	7036309	7036309	7036309	Float Bowl Assembly
28	7036140						Pump Assembly
29	7035672						Spring – Pump Return
30	7033752						Float Assembly
31	7029856						Hinge Pin – Float
32	7033751						Pull Clip – Float Needle
33	30-140						Needle and Seat Assembly
33A	KIT ONLY						Gasket – Needle Seat
34	7029862						Spring – Metering Rod – Primary
35	–						Screw – Cover Attaching
36	–						Cover – Idle Compensator
37	–						Idle Compensator Assembly
38	–						Gasket – Idle Compensator
39	7031365						Baffle Plate – Float Bowl
40	7034849	7034845	7034847	7034845	7034847	7034845	Metering Rod – Primary
41	7031971						Metering Jet – Primary
42	7034339						Retainer – Power Piston
43	7034903						Power Piston Assembly
44	7034361						Insert – Float Bowl
45	7029849						Retainer – Pump Discharge Ball
46	7002117						Ball – Pump Discharge
47	7036019						Spring – Power Piston
48	–						Screw – Diaphragm Retainer
49	–						Retainer – Float Needle Diaphragm
50	836159						Clip – Pump Rod
51	7027270						Lockout Lever – Secondary
52	7040955						Filter Nut – Fuel Inlet (SEE NOTE)
53	7032508						Gasket – Inlet Nut
54	–						Gasket – Filter
55	GF-427						Filter – Fuel Inlet
56	7034356						Spring – Inlet Filter
57	7032716						Rod – Pump
58	7002121						Screw – Idle Stop
59	7003176						Spring – Idle Stop Screw
	THROTTLE BODY PARTS						
60	7035523						Screw – Cam and Fast Idle Levers Attaching
61	7035806						Lever – Fast Idle
62	7029900						Spring – Fast Idle Screw
63	7029899						Screw – Fast Idle Adjusting
64	7035409						Lever – Cam Follower
64A	7035840						Lever – Wide Open Kick
65	KIT ONLY						Gasket – Throttle Body
66	7011479						Spring – Idle Needle
67	7041612						Needle – Idle Adjusting
68	7029891						Screw – Throttle Body
69	7035772						Spring – Cam Follower Lever
70	7036409						Throttle Body Assembly
71	3884574						Gasket – Flange

NOTE: For Stripped Threads Replace
with 7041634 Adaptor Kit

ACCESSORIES	
7036447	Diverter Valve Assembly (7028209, 216)
7036448	Diverter Valve Assembly (All Other)

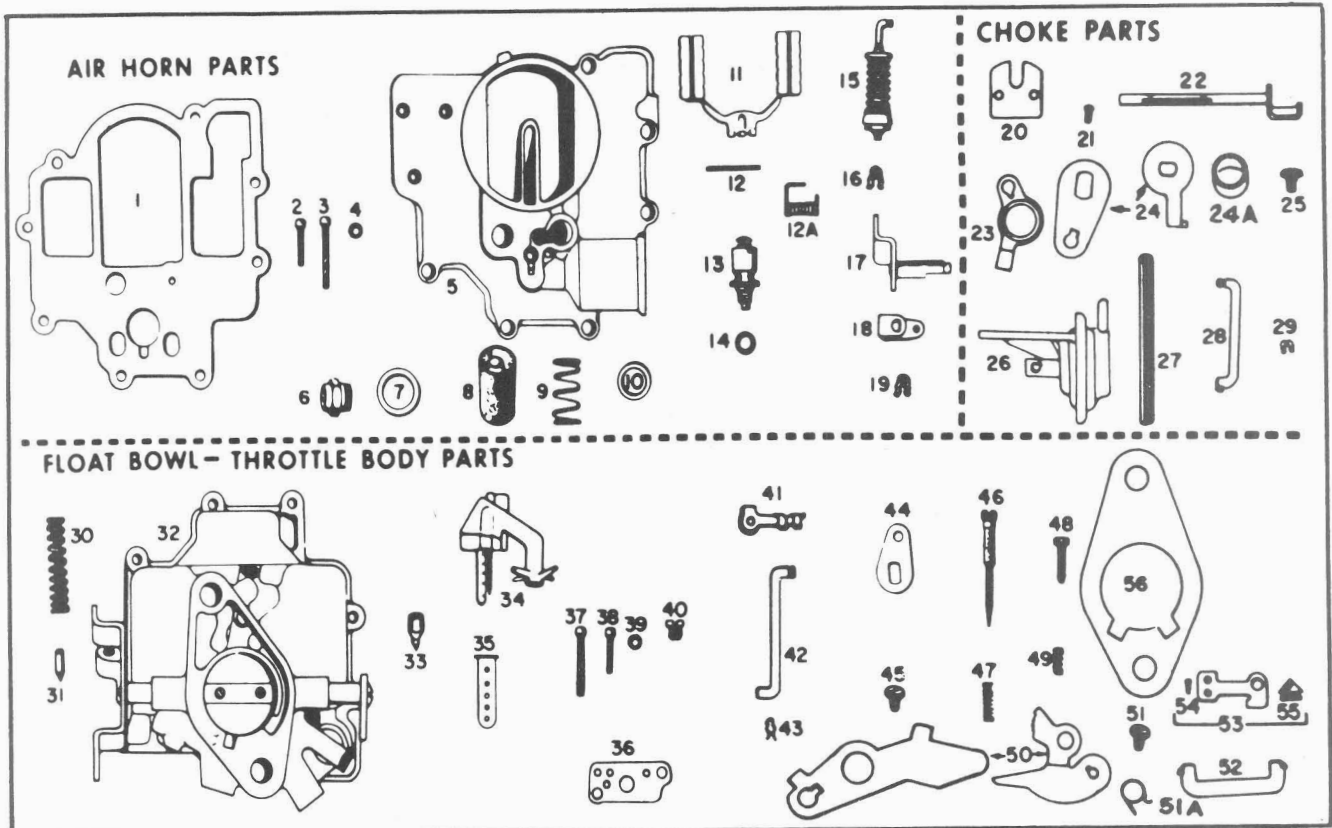


Delco Carburetor

BULLETIN 9C-3033
 DATE: NOVEMBER 1971
 PAGE 1

AUTOMATIC AND MANUAL TRANSMISSIONS

PARTS SHOWN ARE FOR IDENTIFICATION ONLY. CONSULT PARTS LIST FOR CORRECT PART NAME AND NUMBER



PARTS IN ALL COLUMNS SAME - EXCEPT WHERE INDICATED

	PRIMARY CARB.	AUXILIARY CARB.	APPLICATION
	7028005	7027026	CARBURETOR No.
	21-370	21-360	REPLACEMENT PKG. No.
	7033066	7033067	OVERHAUL KIT
	9105		POWER CARBURETOR KIT
	40-337		GASKET SET
Illus. No.	AIR HORN PARTS		
1	7033930		Gasket - Air Horn
2	7000249		Screw - Air Horn - Short
3	7004079		Screw - Air Horn - Long
4	120217		Lockwasher - Long Screw
5	7027710	7031490	Air Horn Assembly
6	7015233		Nut - Fuel Inlet Nut
7	7032508		Gasket - Fuel Inlet Nut
8	7013404		Filter - Fuel Inlet
9	7034356		Spring - Fuel Inlet Filter
10	7013584		Gasket - Fuel Inlet Filter
11	7028501		Float Assembly
12	7001595		Pin - Float Hinge
12A	7028503		Torsion Spring
13	30-3		Needle and Seat Assembly
14	KIT ONLY		Gasket - Needle Seat
15	7024746	7035256	Pump Assembly
16	1875293		Clip - Pump Plunger
17	7020188		Pump Shaft and Lever Assembly
18	7015249		Lever - Pump Inside
19	1875293		Pin Spring - Pump Lever

	7028005	7027026	CARBURETOR No.
Illus. No.	CHOKE PARTS		
20	7020739	—	Valve — Choke
21	7007627	—	Screw — Choke Valve
22	7020736	7031299	Choke Shaft or Lockout Shaft Assembly
23	7028796	—	Choke Lever
24	7022594	7031301	Trip Lever or Lockout Actuating Lever
24A	—	7031084	Spacer — Lockout Lever
25	7019709	—	Screw — Trip Lever or Lockout Lever
26	7021050	—	Vacuum Break Control Assembly
27	7026339	—	Hose — Vacuum Control
28	7021042	—	Vacuum Control Rod
29	7005109	—	Clip — Control Rod
	THROTTLE BODY — FLOAT BOWL PARTS		
30	7017436	7027944	Spring — Pump Return
31	7001674	—	Valve — Pump Discharge
32	7036361	7033074	Body and Bowl Assembly
33	—	—	Power Valve
34	7032284	7033592	Venturi Cluster Assembly
35	7021528	—	Insert — Main Well
36	KIT ONLY	—	Gasket — Venturi Cluster
37	7000293	—	Screw — Venturi Cluster — Long
38	7010433	—	Screw — Vent Cluster — Short
39	121841	—	Lockwasher — Cluster Screws
40	7002652	7002649	Jet — Main Metering
41	7003137	—	Retainer — Pump Rod
42	7020187	—	Pump Rod
43	1875293	—	Retainer — Pump Rod
44	7015280	—	Lever Pump Actuating
45	7010435	—	Screw — Pump Lever
46	7016864	—	Idle Needle
47	7011479	—	Spring — Idle Needle
48	7006213	—	Screw — Slow Idle Adjustment
49	7001690	—	Spring — Slow Idle Screw
50	7024430	7031306	Cam — Fast Idle or Lockout Lever
51	7003561	7031307	Screw — Cam or Lockout Lever Attach.
51A	—	7031088	Spring — Lockout Lever
52	7020747	—	Rod — Choke
53	7027892	—	Idle Vent Valve Kit
54	7012548	—	Screw — Vent Arm
55	7029993	—	Valve — Idle Vent
56	3826302	—	Heat Insulator

7028058

Diverter Valve Assembly



Delco Carburetor

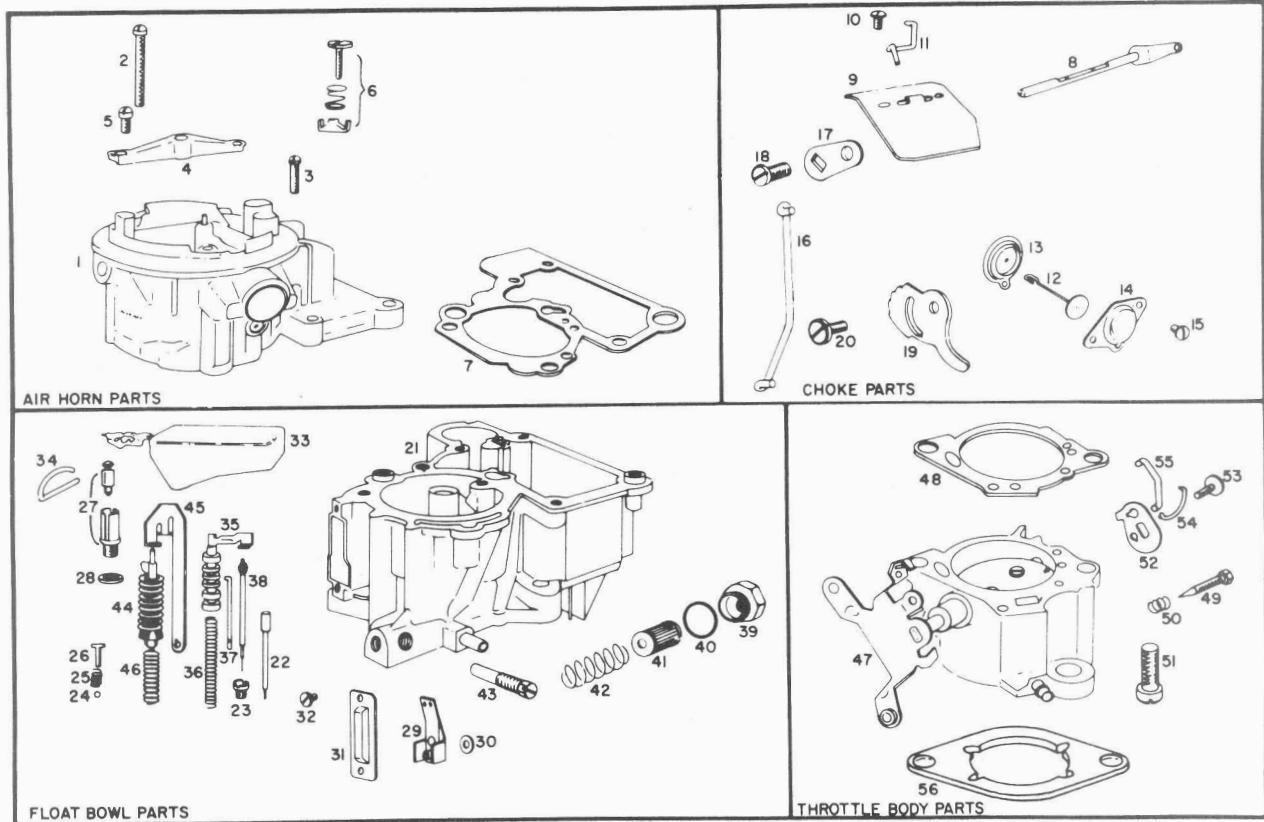
MODEL MV MONOJET

1968-69 CHEVROLET, CHEVELLE & CHEVY II "6"

230/250 CUBIC INCH ENGINE—PASSENGER

BULLETIN: 3034
 DATE: NOVEMBER 1975
 PAGE: 1
 REPLACES 9C-3034
 DATED NOVEMBER 1971

PARTS SHOWN ARE FOR IDENTIFICATION ONLY. CONSULT PARTS LIST FOR CORRECT PART NAME AND NUMBER



PARTS IN ALL COLUMNS SAME — EXCEPT WHERE INDICATED

	1968			1969			YEAR
	AUTO. TRANS.	MAN. TRANS. AIR COND.	MAN. TRANS. STANDARD	AUTO. TRANS.	MAN. TRANS. AIR COND.	MAN. TRANS. STANDARD	APPLICATION
	7028014	7028015	7028017	7029014	7029015	7029017	CARBURETOR No.
	21-374	21-371	21-371	21-374	21-371	21-371	REPLACEMENT PACKAGE No.
	7016824	7016825	7016825	7036548	7036549	7036549	OVERHAUL KIT
	9147						POWER CARBURETOR KIT
	40-362						GASKET SET

Illus. No.	AIR HORN PARTS						
1	7036314	7036678	7036678	7037776	NLA	NLA	Air Horn Assembly
2	7038912						Screw—Air Horn—Long
3	7014698						Screw—Air Horn—Short
4	7037774						Bracket—Air Cleaner Stud
5	7038913						Screw—Bracket Attaching
6	7046639						Idle Vent Valve Kit
7	7037591						Gasket—Air Horn

	CHOKE PARTS						
8	7034009	7034009	7034009	7036973	7036973	7036973	Choke Shaft and Lever Assembly
9	7034012						Choke Valve
10	7020926						Screw—Choke Valve
11	7034013						Connector—Vacuum Break Link
12	7036293	7036293	7036293	7040646	7036293	7036293	Vacuum Break Link Assy.
13	7034017						Diaphragm—Vacuum Break
14	7034018						Cover—Vacuum Break
15	7020926						Screw—Cover
16	7034057	7034057	7034057	7037000	7037000	7037000	Choke Rod
17	7034056	7034056	7034056	7036973	7036973	7036973	Choke Lever
18	7019709						Screw—Choke Lever
19	7036239	7036239	7036239	7040633	7040635	7040635	Cam—Fast Idle
20	7003561						Screw—Cam Attaching

	7028014	7028015	7028017	7029014	7029015	7029017	CARBURETOR No.
Illus. No.	FLOAT BOWL PARTS						
21	7036400	7036401	7036401	NLA	NLA	NLA	Float Bowl Assembly
22	17052340	17052342	17052342	17052340	17052340	17052340	Idle Tube Assembly
23	7034203	7034203	7034203	7034203	7034204	7034204	Jet—Main Metering
24	7002117						Ball—Pump Discharge
25	7002118						Spring—Pump Discharge
26	7003838						Guide—Pump Discharge
27	30-133						Needle and Seat Assembly
28	KIT ONLY						Gasket—Needle Seat
29	7035870	7035870	—	7035870	7035870	—	Idle Compensator Assembly
30	7027970	7027970	—	7027970	7027970	—	Gasket—Idle Compensator
31	7035670	7035670	—	7035670	7035670	—	Cover—Idle Compensator
32	7034030	7034030	—	7034030	7034030	—	Screw—Cover
33	7037022						Float Assembly
34	7034032						Hinge Pin—Float
35	7035295	7036066	7036066	7037780	7035889	7035889	Power Piston Assembly
36	7012515						Spring—Power Piston
37	17054016						Rod—Power Piston
38	7035931	7035930	7035930	7037974	7043615	7043615	Metering Rod & Spring Assembly
39	7038946						Filter Nut—Fuel Inlet
40	7032508						Gasket—Filter Nut
41	GF-427						Filter—Fuel Inlet
42	7031539						Spring—Fuel Filter
43	7034034						Screw—Slow Idle
44	7037595	7037597	7037597	7037597	7037597	7037597	Pump Assembly
45	7034048						Lever—Pump Actuating
46	7008694						Spring—Pump Return
	THROTTLE BODY PARTS						
47	7037033	7034136	7034136	7037033	7037036	7037036	Throttle Body Assembly
48	KIT ONLY						Gasket—Throttle Body
49	7048860	7042429	7042429	7048860	7042429	7042429	Idle Needle
50	7011479						Spring—Idle Needle
51	7038875						Screw—Throttle Body
52	17054016						Lever—Pump and Power Rods
53	7010435						Screw—Lever Attaching
54	17054016						Link—Power Piston Rod
55	7037981						Link—Pump Lever
56	3953732						Gasket—Flange

ACCESSORIES	
17052771	Diverter Valve Assembly—1968
7029198	Diverter Valve Assembly—1969



Delco Carburetor

MODEL M MONOJET

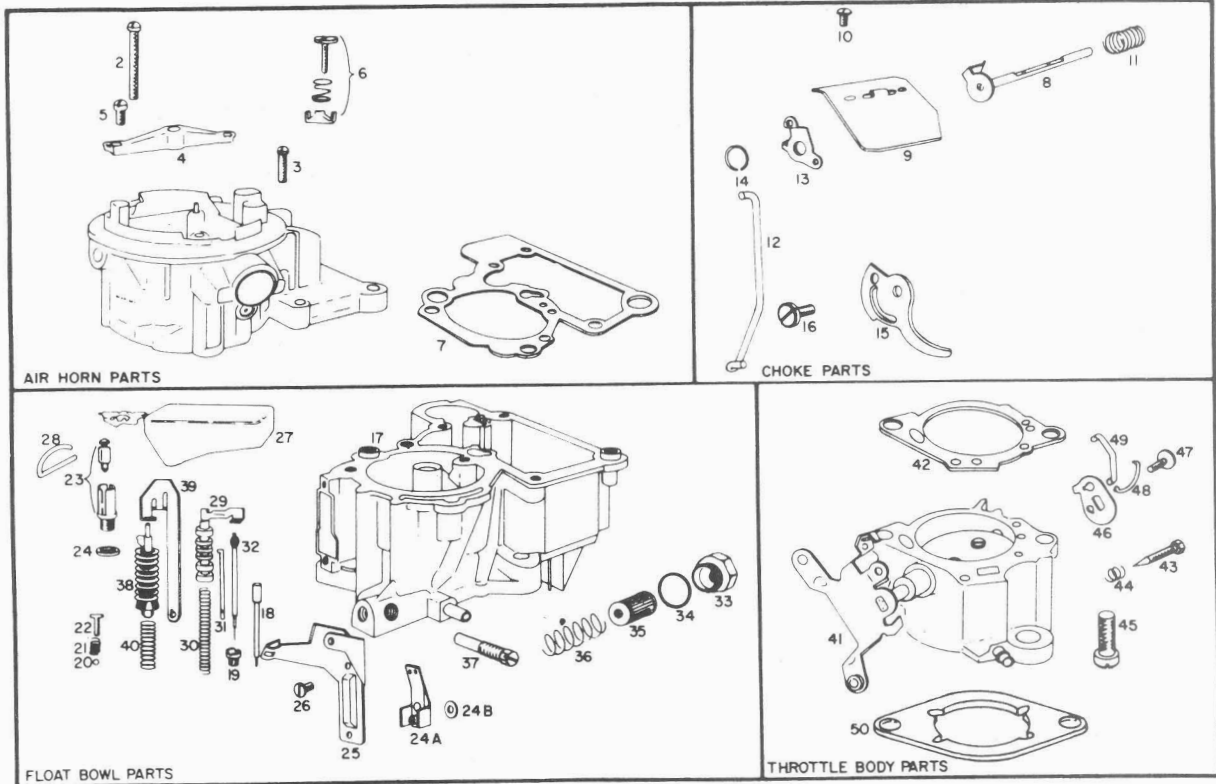
1968-69 CHEVY II "L-4"

PASSENGER

153 CUBIC INCH ENGINE

BULLETIN 9C-3035
 DATE: NOVEMBER 1971
 PAGE 1

PARTS SHOWN ARE FOR IDENTIFICATION ONLY. CONSULT PARTS LIST FOR CORRECT PART NAME AND NUMBER



PARTS IN ALL COLUMNS SAME - EXCEPT WHERE INDICATED

	1968		1969	YEAR
	AUTO. TRANS.	MAN. TRANS.	ALL	APPLICATION
	7028008	7028009	7029008	CARBURETOR No.
	21-372			REPLACEMENT PACKAGE No.
	7036545			OVERHAUL KIT
	9147			POWER CARBURETOR KIT
40-362			GASKET SET	
Illus. No.	AIR HORN PARTS			
1	7035937	7035937	7037041	Air Horn Assembly
2	7038912			Screw - Air Horn - Long
3	7014698			Screw - Air Horn - Short
4	7037774			Bracket - Air Cleaner Stud
5	7038913			Screw - Bracket Attaching
6	7036348			Idle Vent Valve Kit
7	7037591			Gasket - Air Horn
	CHOKE PARTS			
8	7028177			Choke Shaft & Lever Assembly
9	7034012			Choke Valve
10	7020926			Screw - Choke Valve
11	7035700			Spring - Choke Valve
12	7034057	7034057	7037000	Choke Rod
13	7034078	7034078	7036973	Choke Lever
14	838884			Retainer - Choke Lever
15	7034068	7034068	7037005	Cam - Fast Idle
16	7003561			Screw - Cam Attaching

	7028008	7028009	7029008	CARBURETOR No.
Illus. No.	FLOAT BOWL PARTS			
17	7036377			Float Bowl Assembly
18	7033938			Idle Tube Assembly
19	7034195			Jet - Main Metering
20	7002117			Ball - Pump Discharge
21	7002118			Spring -- Pump Discharge
22	7003838			Guide - Pump Discharge
23	30-133			Needle and Seat Assembly
24	KIT ONLY			Gasket - Needle Seat
24A	-			Idle Compensator Assembly
24B	-			Gasket - Idle Compensator
25	7035725			Bracket - Bowden Wire
26	7034030			Screw - Bowden Wire Bracket
27	7037022			Float Assembly
28	7034032			Hinge Pin - Float
29	7035947	7035947	7035295	Power Piston Assembly
30	7034360			Spring - Power Piston
31	7035297			Rod - Power Piston
32	7040770			Metering Rod & Spring Assembly
33	7033500			Filter Nut - Fuel Inlet
34	7032508			Gasket - Filter Nut
35	GF-427			Filter - Fuel Inlet
36	7031539			Spring - Fuel
37	7034034			Screw - Slow Idle
38	7037596			Pump Assembly
39	7034048			Lever - Pump Actuating
40	7008694			Spring - Pump Return
	THROTTLE BODY PARTS			
41	7034006	7034757	7037458	Throttle Body Assembly
42	KIT ONLY			Gasket - Throttle Body
43	7032327			Idle Needle
44	7011479			Spring - Idle Needle
45	7038875			Screw - Throttle Body
46	7038049			Lever - Pump and Power Rods
47	7010435			Screw - Lever Attaching
48	7035502			Link - Power Piston Rod
49	7037981			Link - Pump Lever
50	3953732			Gasket - Flange

ACCESSORIES	
7036444	Driverter Valve Assembly - 1968
7029290	Diverter Valve Assembly - 1969