



# Delco Carburetor

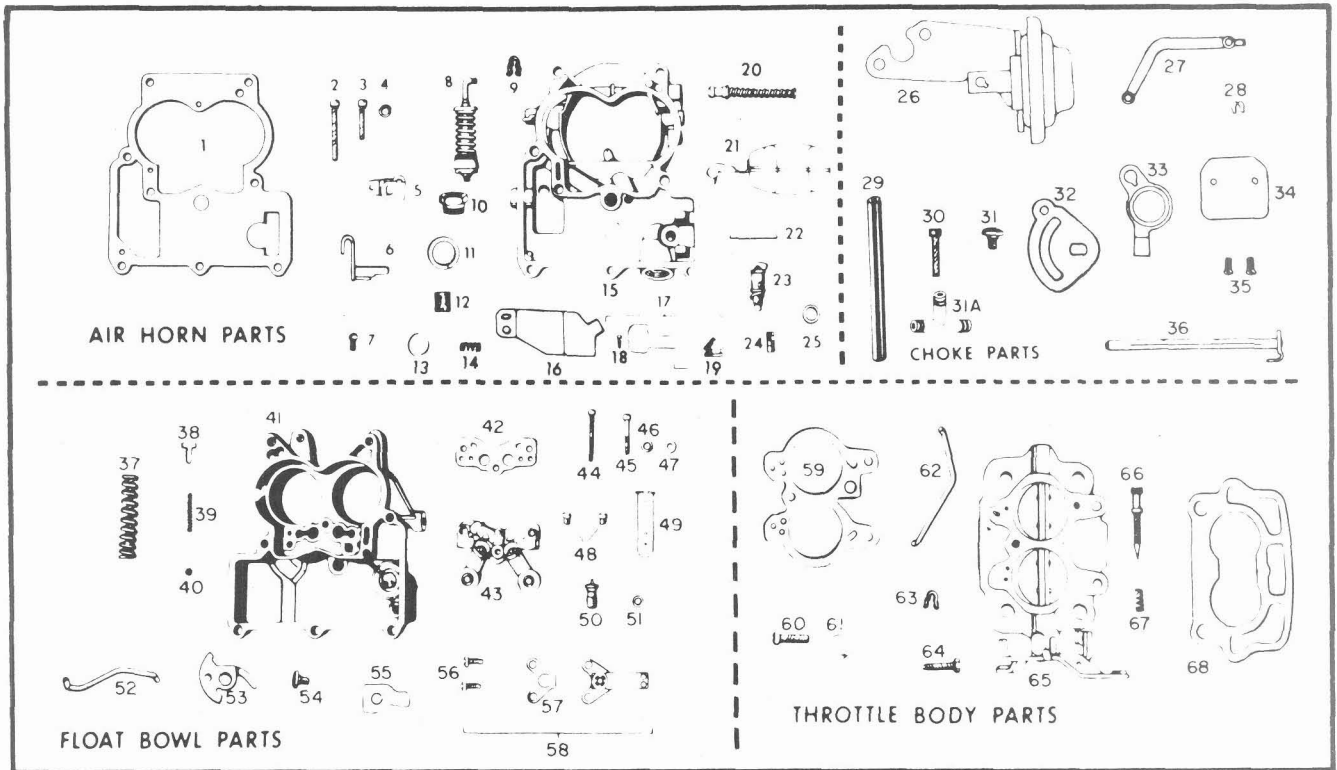
## MODEL 2GV CARBURETORS

### 1969 NOVA, CAMARO, CHEVELLE V-8

### 307 CUBIC INCH ENGINE

BULLETIN 9C-3036  
DATE: NOVEMBER 1971  
PAGE 1

PARTS SHOWN ARE FOR IDENTIFICATION ONLY. CONSULT PARTS LIST FOR CORRECT PART NAME AND NUMBER



**PARTS IN ALL COLUMNS SAME - EXCEPT WHERE INDICATED**

	MAN. TRANS. STANDARD	MAN. TRANS. AIR COND.	AUTO. TRANS. STANDARD	AUTO. TRANS. AIR COND.	APPLICATION
	7029101	7029103	7029110	7029112	<b>CARBURETOR No.</b>
	22-367	22-367	22-366	22-366	<b>REPLACEMENT PKG. No.</b>
	7016740				<b>OVERHAUL KIT</b>
	9109				<b>POWER CARBURETOR KIT</b>
	40-342				<b>GASKET SET</b>
Illus. No.	AIR HORN PARTS				
1	7021008				Gasket - Air Horn
2	7010432				Screw - Air Horn (Long)
3	7006119				Screw - Air Horn (Short)
4	120217				Lockwasher - Air Horn Screws
5	NSS				Lever - Pump Inside
6	7036764				Pump Shaft and Lever Kit
7	7011270				Screw - Pump Lever
-	7019568				Washer - Pump Lever
8	7031824				Pump Assembly
9	1875293				Clip - Pump Plunger
10	7040953				Nut - Fuel Filter
-	137422				Elbow - Fuel Inlet
11	7032508				Gasket - Fuel Filter
12	7013404				Filter - Fuel Inlet
13	7013584				Gasket - Fuel Filter
14	7034356				Spring - Fuel Filter
15	7036550				Air Horn Assembly
16	7037718				Shield - Idle Vent Valve
17	7036556				Idle Vent Valve Kit
18	7012548				Screw - Vent Valve and Shield
19	7029993				Idle Vent Valve

	7029101	7029103	7029110	7029112	CARBURETOR No.
Illus. No.	AIR HORN PARTS (Continued)				
20	7006323				Power Piston Assembly
21	7037519				Float Assembly
22	7002081				Pin – Float Assembly
23	30-9				Needle and Seat Assembly
24	7006079				Strainer – Needle Seat
25	KIT ONLY				Gasket – Needle Seat
-	7006474				Pull Clip – Float Needle
CHOKE					
26	7036768				Vacuum Break Control & Bracket Assy
-	7036769				Vacuum Break Control Assembly
27	7037770				Rod – Vacuum Control
28	7005109				Clip – Control Rod
29	7026339				Hose – Vacuum
30	7011270				Screw – Vacuum Control Attaching
31	7019709				Screw – Stat Rod Lever
31A	3760758				Tee – Air Bleed Valve
32	7038612				Lever – Stat Rod
33	7026239				Choke Lever
34	7025955				Choke Valve
35	7007627				Screw – Choke Valve
36	7024464				Choke Shaft Assembly
FLOAT BOWL PARTS					
37	7004597				Spring – Pump Return
38	7000286				Guide – Pump Discharge
39	7002118				Spring – Pump Discharge
40	7002117				Ball – Pump Discharge
41	7036402				Float Ball Assembly
42	KIT ONLY				Gasket – Venturi Cluster
43	7035641	7035641	7037970	7037970	Venturi Cluster Assembly
44	7000293				Screw – Venturi Cluster – Outer
45	7000294				Screw – Cluster – Center
46	121841				Lockwasher – Outer Screws
47	KIT ONLY				Gasket – Center Screw
48	7002652	7002652	7002651	7002651	Jet – Standard
49	7021528				Insert – Main Well
50	7010918				Power Valve Assembly
51	KIT ONLY				Gasket – Power Valve
52	7026559				Choke Rod
53	7029979	7029979	7037947	7037947	Cam – Fast Idle
54	7003561				Screw – Cam Attaching
55	-	7013937	-	7013937	Cover Assembly – Idle Compensator
56	-	7015127	-	7015127	Screw – Idle Compensator
57	-	7013341	-	7013341	Gasket – Idle Compensator
58	-	7036644	-	7036644	Idle Compensator Kit
THROTTLE BODY PARTS					
59	KIT ONLY				Gasket – Throttle Body
60	7015105				Screw – Throttle Body
61	121744				Lockwasher – Throttle Body Screws
62	7005816				Pump Rod
63	1875293				Clip – Pump Rod
64	7029427				Idle Stop Screw
-	7029428				Spring – Idle Stop Screw
65	7037937	7037938	7037937	7037938	Throttle Body Assembly
66	7041621				Idle Adjusting Needle
67	7011479				Spring – Idle Needle
68	3704952				Gasket – Flange

ACCESSORIES	
7029293	Diverter Valve Assembly



# Delco Carburetor

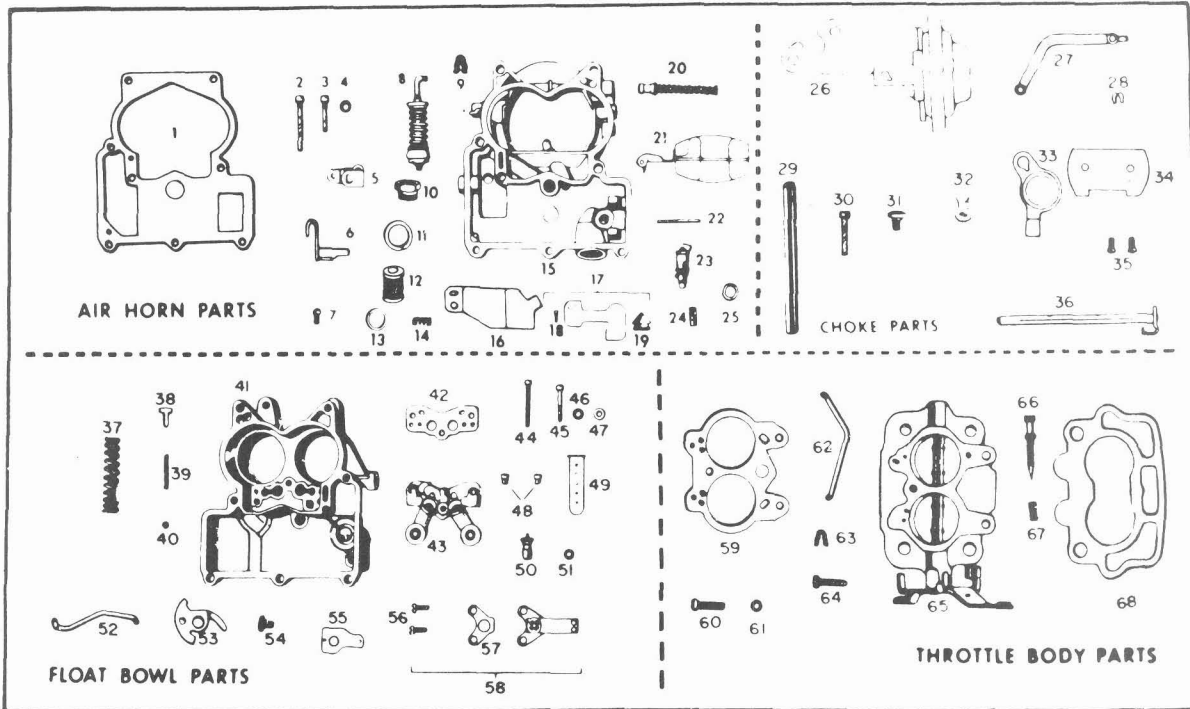
## MODEL 2GV CARBURETORS

### 1969 CHEVROLET V-8

### 327 CUBIC INCH ENGINE

BULLETIN 9C-3037  
DATE: NOVEMBER, 1971  
PAGE 1

PARTS SHOWN ARE FOR IDENTIFICATION ONLY. CONSULT PARTS LIST FOR CORRECT PART NAME AND NUMBER



**PARTS IN ALL COLUMNS SAME EXCEPT WHERE INDICATED**

	MAN. TRANS. STANDARD	MAN. TRANS. AIR-COND.	AUTO. TRANS. STANDARD	AUTO. TRANS. AIR-COND.	APPLICATION
	7029127	7029129	7029102	7029104	<b>CARBURETOR No.</b>
	22-368	22-369	22-368	22-368	<b>REPLACEMENT PKG. No.</b>
	7036552				<b>OVERHAUL KIT</b>
	9148				<b>POWER CARBURETOR KIT</b>
	40-363				<b>GASKET SET</b>

Illus. No.	AIR HORN PARTS				
1	7035815				Gasket - Air Horn
2	7010432				Screw - Air Horn (Long)
3	7006119				Screw - Air Horn (Short)
4	120217				Lockwasher - Air Horn Screws
5	N.S.S.				Lever - Pump Inside
6	7036764				Pump Shaft and Lever Kit
-	7019568				Washer - Pump Lever
7	7011270				Screw - Pump Lever
8	7037562				Pump Assembly
9	1875293				Clip - Pump Plunger
10	7040955				Nut - Fuel Filter
11	7032508				Gasket - Fuel Filter
12	GF-427				Filter - Fuel Inlet
13	-				Gasket - Fuel Filter
14	7034356				Spring - Fuel Filter
15	7036551				Air Horn Assembly
16	7037718				Shield - Idle Vent Valve
17	7036556				Idle Vent Valve Kit
18	7012548				Screw - Vent Valve and Shield
19	7029993				Idle Vent Valve

	7029127	7029129	7029102	7029104	CARBURETOR No.
	AIR HORN PARTS (Continued)				
Illus. No.					
20	7009718				Power Piston Assembly
21	7037512				Float Assembly
22	7010037				Pin – Float Hinge
23	30-13				Needle and Seat Assembly
24	7006079				Strainer – Needle Seat
25	KIT ONLY				Gasket – Needle Seat
	CHOKE PARTS				
26	7027649				Vacuum Break Control & Bracket
–	7037953				Vacuum Break Control Assembly
27	7026685				Rod – Vacuum Control
28	7005109				Clip – Control Rod
29	7026339				Hose – Vacuum
30	7037570				Screw – Vacuum Control
31	7019709				Screw – Trip Lever
32	7006596				Trip Lever
33	7026239				Choke Lever
34	7033443				Choke Valve
35	7007627				Screw – Choke Valve
36	7037175				Choke Shaft Assembly
	FLOAT BOWL PARTS				
37	7004597				Spring – Pump Return
38	7000286				Guide – Pump Discharge
39	7002118				Spring – Pump Discharge
40	7002117				Ball – Pump Discharge
41	7036554	7036554	7036697	7036697	Float Bowl Assembly
42	KIT ONLY				Gasket – Venturi Cluster
43	7037879	7037879	7038306	7038306	Venturi Cluster Assembly
44	7008502				Screw – Venturi Cluster – Outer
45	7009077				Screw – Cluster – Center
46	120217				Lockwasher – Outer Screws
47	KIT ONLY				Gasket – Center Screw
48	7008663	7008663	7002658	7002658	Jet – Standard
49	7021528				Insert – Main Well
50	7011989				Power Valve Assembly
51	KIT ONLY				Gasket – Power Valve
52	7036113				Choke Rod
53	7033376	7033376	7029979	7029979	Cam – Fast Idle
54	7003561				Screw – Cam Attaching
55	–				Cover Assembly – Idle Comp.
56	–	7015127	–	7015127	Screw – Idle Compensator
57	–	KIT ONLY	–	KIT ONLY	Gasket – Idle Compensator
58	–	7036644	–	7036644	Idle Compensator Kit
	THROTTLE BODY PARTS				
59	KIT ONLY				Gasket – Throttle Body
60	7015105				Screw Throttle Body
61	121744				Lockwasher – Throttle Body
62	7036760				Pump Rod Kit
63	1875293				Clip – Pump Rod
64	7029427				Idle Stop Screw
–	7037131				Spring – Idle Stop Screw
65	7036288				Throttle Body Assembly
66	7041621				Idle Adjusting Needle
67	7011479				Spring – Idle Needle
68	3942470				Gasket – Flange

ACCESSORIES	
7029293	Diverter Valve Assembly





# Delco Carburetor

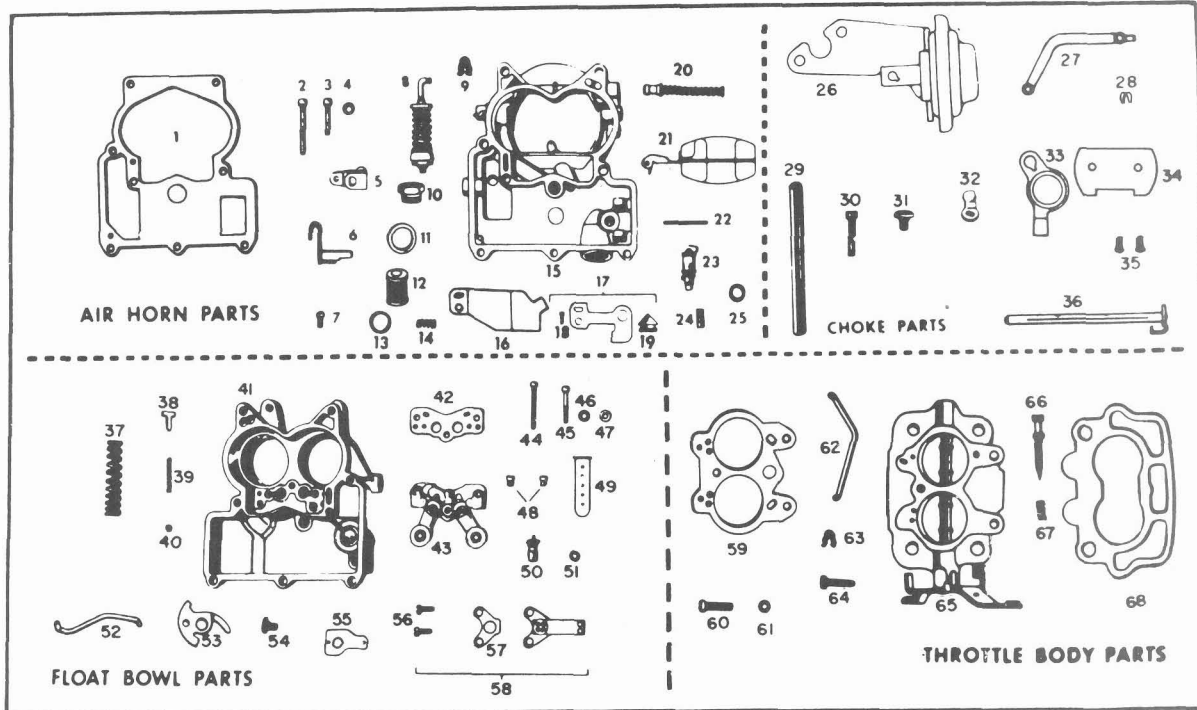
MODEL 2GV CARBURETORS  
 1969 CHEVROLET, NOVA  
 CAMARO, CHEVELLE V-8  
 350 CUBIC INCH ENGINE

BULLETIN 9C-3038

DATE: NOVEMBER 1971

PAGE 1

PARTS SHOWN ARE FOR IDENTIFICATION ONLY. CONSULT PARTS LIST FOR CORRECT PART NAME AND NUMBER



PARTS IN ALL COLUMNS SAME EXCEPT WHERE INDICATED

	MAN. TRANS. STANDARD	MAN. TRANS. AIR-COND.	AUTO. TRANS. STANDARD	AUTO. TRANS. AIR-COND.	APPLICA TION
	7029113	7029115	7029114	7029116	CARBURETOR No.
	22-371	22-371	22-370	22-370	REPLACEMENT PKG. No.
	7036552				OVERHAUL KIT
	9148				POWER CARBURETOR KIT
	40-363				GASKET SET
Illus. No.	AIR HORN PARTS				
1	7035815				Gasket - Air Horn
2	7010432				Screw - Air Horn (Long)
3	7006119				Screw - Air Horn (Short)
4	120217				Lockwasher - Air Horn Screws
5	N.S.S.				Lever - Pump Inside
6	7036764				Pump Shaft and Lever Kit
7	7011270				Screw - Pump Lever
-	7019568				Washer - Pump Lever
8	7037562				Pump Assembly
9	1875293				Clip - Pump Plunger
10	7040955				Nut - Fuel Filter
11	7032508				Gasket - Fuel Filter
12	GF-427				Filter - Fuel Inlet
13	-				Gasket - Fuel Filter
14	7034356				Spring - Fuel Filter
15	7036551				Air Horn Assembly
16	7037718				Shield - Idle Vent Valve
17	7036556				Idle Vent Valve Kit
18	7012548				Screw - Vent Valve and Shield
19	7029993				Idle Vent Valve

	7029113	7029115	7029114	7029116	CARBURETOR No.
Illus. No.	AIR HORN PARTS (Continued)				
20	7009718				Power Piston Assembly
21	7037512				Float Assembly
22	7010037				Pin – Float Hinge
23	30-13				Needle and Seat Assembly
24	7006079				Strainer – Needle Seat
25	KIT ONLY				Gasket – Needle Seat
CHOKE PARTS					
26	7027649				Vacuum Break Control & Bracket
–	7037953				Vacuum Break Control Assembly
27	7026685				Rod – Vacuum Control
28	7005109				Clip – Control Rod
29	7026339				Hose – Vacuum
30	7037570				Screw – Vacuum Control
31	7019709				Screw – Stat Rod Lever
32	7006596				Trip Lever
33	7026239				Choke Lever
34	7033443				Choke Valve
35	7007627				Screw – Choke Valve
36	7037175				Choke Shaft Assembly
FLOAT BOWL PARTS					
37	7004597				Spring – Pump Return
38	7000286				Guide – Pump Discharge
39	7002118				Spring – Pump Discharge
40	7002117				Ball – Pump Discharge
41	7036555				Float Bowl Assembly
42	KIT ONLY				Gasket – Venturi Cluster
43	7037962	7037962	7038452	7038452	Venturi Cluster Assembly
44	7008502				Screw – Venturi Cluster – Outer
45	7009077				Screw – Cluster – Center
46	120217				Lockwasher – Outer Screws
47	KIT ONLY				Gasket – Center Screw
48	7008669	7008669	7008668	7008668	Jet – Standard
49	7021528				Insert – Main Well
50	7011989				Power Valve Assembly
51	KIT ONLY				Gasket – Power Valve
52	7036186				Choke Rod
53	7029979				Cam – Fast Idle
54	7003561				Screw – Cam Attaching
55	–				Cover Assembly – Idle Comp.
56	–	7015127	–	7015127	Screw – Idle Compensator
57	–	7013341	–	7013341	Gasket – Idle Compensator
58	–	7036644	–	7036644	Idle Compensator Kit
THROTTLE BODY PARTS					
59	KIT ONLY				Gasket – Throttle Body
60	7015105				Screw – Throttle Body
61	121744				Lockwasher – Throttle Body
62	7036760				Pump Rod Kit
63	1875293				Clip – Pump Rod
64	7029427				Idle Stop Screw
–	7037131				Spring – Idle Stop Screw
65	7036288	7036288	7037939	7037939	Throttle Body Assembly
66	7041621				Idle Adjusting Needle
67	7011479				Spring – Idle Needle
68	3942470				Gasket – Flange

ACCESSORIES	
7029295	Diverter Valve Assembly



# Delco Carburetor

MODEL 2GV CARBURETORS

1969 CHEVROLET V-8

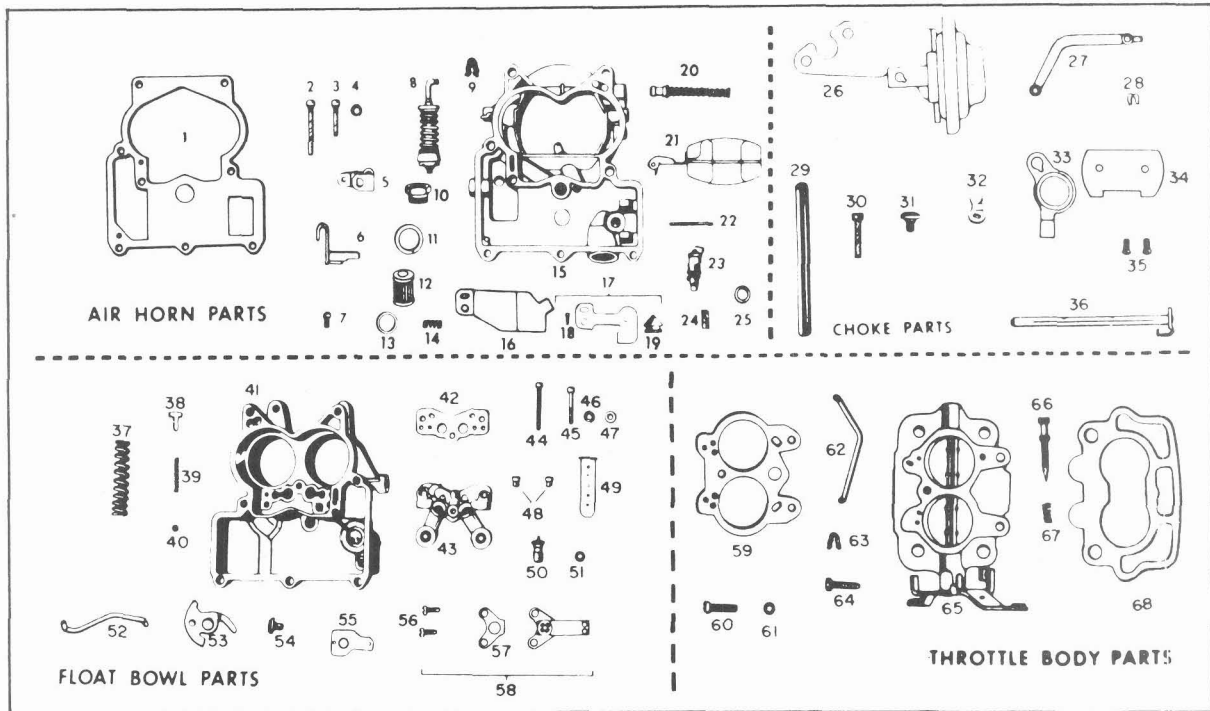
396 CUBIC INCH ENGINE

BULLETIN 9C-3039

DATE: NOVEMBER 1971

PAGE 1

PARTS SHOWN ARE FOR IDENTIFICATION ONLY. CONSULT PARTS LIST FOR CORRECT PART NAME AND NUMBER



**PARTS IN ALL COLUMNS SAME – EXCEPT WHERE INDICATED**

	MAN. TRANS. STANDARD	MAN. TRANS. AIR-COND.	AUTO. TRANS. STANDARD	AUTO. TRANS. AIR-COND.	APPLICATION
	7029117	7029119	7029118	7029120	CARBURETOR No.
	22-376	22-379	22-376	22-376	REPLACEMENT PKG. No.
	7036552				OVERHAUL KIT
	9148				POWER CARBURETOR KIT
	40-363				GASKET SET
Illus. No.	AIR HORN PARTS				
1	7035815				Gasket – Air Horn
2	7010432				Screw – Air Horn (Long)
3	7006119				Screw – Air Horn (Short)
4	120217				Lockwasher – Air Horn Screws
5	N.S.S.				Lever – Pump Inside
6	7036764				Pump Shaft and Lever Kit
7	7011270				Screw – Pump Lever
–	7019568				Washer – Pump Lever
8	7037562				Pump Assembly
9	1875293				Clip – Pump Plunger
10	7040958				Nut – Fuel Filter
–	9428895				Elbow – Fuel Inlet
11	7032508				Gasket – Fuel Filter
12	7013404				Filter – Fuel Inlet
13	7013584				Gasket – Fuel Filter
14	7034356				Spring – Fuel Filter
15	7036551				Air Horn Assembly
16	7037718				Shield – Idle Vent Valve
17	7036556				Idle Vent Valve Kit
18	7012548				Screw – Vent Valve and Shield
19	7029993				Idle Vent Valve

	7029117	7029119	7029118	7029120	CARBURETOR No.
Illus. No.	AIR HORN PARTS (Continued)				
20	7009718				Power Piston Assembly
21	7037512				Float Assembly
22	7010037				Pin - Float Hinge
23	30-13				Needle and Seat Assembly
24	7006079				Strainer - Needle Seat
25	KIT ONLY				Gasket - Needle Seat
CHOKE PARTS					
26	7027649				Vacuum Break Control & Bracket
-	7037953				Vacuum Break Control Assembly
27	7026685				Rod - Vacuum Control
28	7005109				Clip - Control Rod
29	7026339				Hose - Vacuum
30	7037570				Screw - Vacuum Control Attaching
31	7019709				Screw - Stat Rod Lever
32	7005696				Lever - Stat Rod
33	7026239				Choke Lever
34	7033443				Choke Valve
35	7007627				Screw - Choke Valve
36	7037175				Choke Shaft Assembly
FLOAT BOWL PARTS					
37	7004597				Spring - Pump Return
38	7000286				Guide - Pump Discharge
39	7002118				Spring - Pump Discharge
40	7002117				Ball - Pump Discharge
41	7036700	7036700	7036713	7036713	Float Bowl Assembly
42	KIT ONLY				Gasket - Venturi Cluster
43	7037888	7037888	7038307	7038307	Venturi Cluster Assembly
44	7008502				Screw - Venturi Cluster - Outer
45	7009077				Screw-Cluster Center
46	120217				Lockwasher - Outer Screws
47	KIT ONLY				Gasket - Center Screw
48	7008669	7008669	7008667	7008667	Jet Standard
49	7021528				Insert - Main Well
50	7011989				Power Valve Assembly
51	KIT ONLY				Gasket - Power Valve
52	7036186				Choke Rod
53	7033376	7033376	7029979	7029979	Cam-Fast Idle
54	7003561				Screw - Cam Attaching
55	-				Cover Assembly
56	-	7015127	-	7015127	Screw - Idle Compensator
57	-	7013341	-	7013341	Gasket - Idle Compensator
58	-	7036644	-	7036644	Idle Compensator Kit
THROTTLE BODY PARTS					
59	KIT ONLY				Gasket - Throttle Body
60	7015105				Screw - Throttle Body
61	121744				Lockwasher - Throttle Body
62	7036760				Pump Rod Kit
63	1875293				Clip - Pump Rod
64	7029427				Idle Stop Screw
-	7037131				Idle Stop Screw
65	7037940	7037940	7036290	7036290	Throttle Body Assembly
66	7041621				Idle Adjusting Needle
67	7011479				Spring - Idle Needle
68	3942470				Gasket - Flange

ACCESSORIES	
7029297	Divertor Valve Assembly



# Delco Carburetor

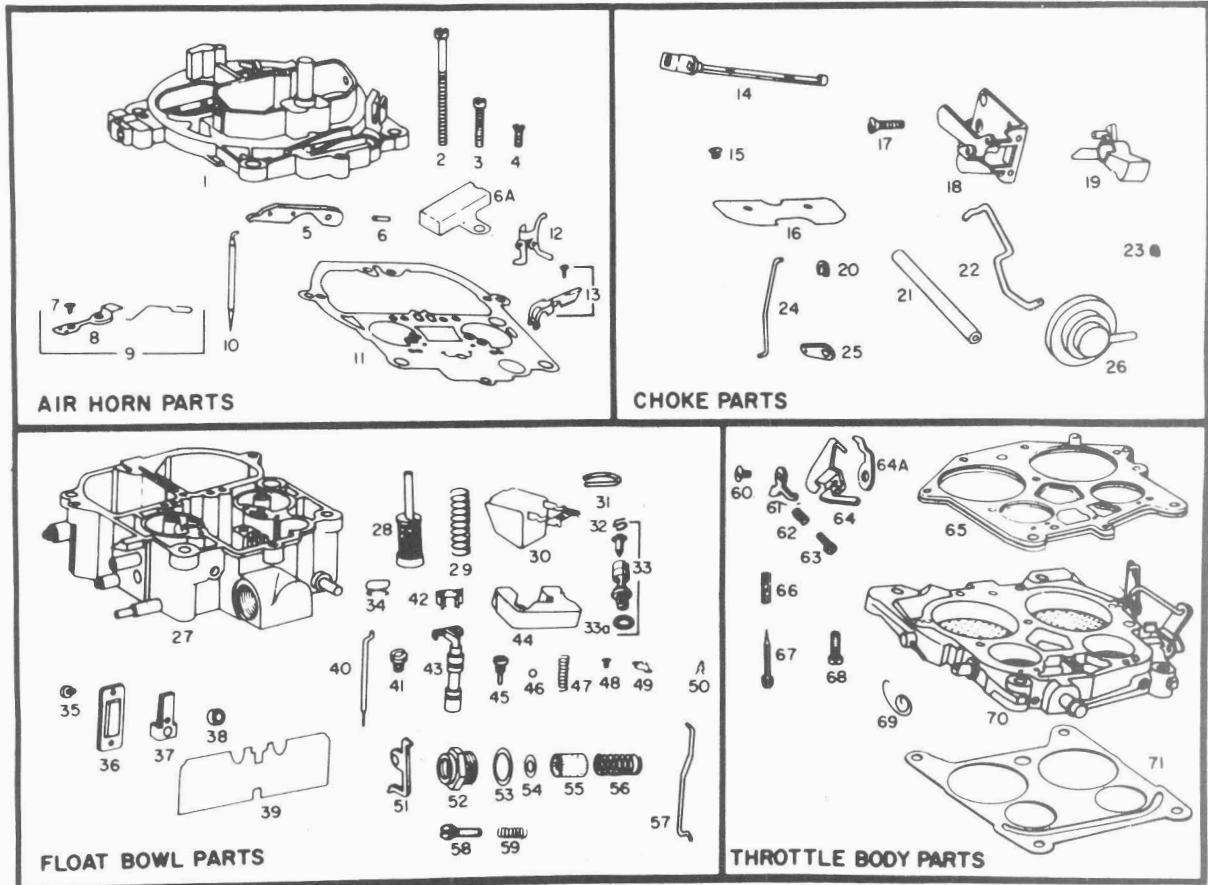
## MODEL 4MV QUADRAJET

### 1969 CHEVROLET, CHEVELLE, CHEVY II, CAMARO, CORVETTE

#### 396 AND 427 CUBIC INCH ENGINES (SEE NOTE)

BULLETIN 9C-3040  
DATE: NOVEMBER 1971  
PAGE 1

PARTS SHOWN ARE FOR IDENTIFICATION ONLY. CONSULT PARTS LIST FOR CORRECT PART NAME AND NUMBER



PARTS IN ALL COLUMNS SAME - EXCEPT WHERE INDICATED

AUTO. TRANS.	MAN. TRANS.	AUTO. TRANS.	MAN. TRANS.	APPLICATION
7029200	7029201	7029204	7029215	CARBURETOR No.
24-382	24-383	24-384	24-383	REPLACEMENT PACKAGE No.
7036570	7036571	7036572	7036571	OVERHAUL KIT
9150				POWER CARBURETOR KIT
40-364				GASKET SET

Illus. No.	AIR HORN PARTS				
1	7037340	7037306	7037948	7037306	Air Horn Assembly
2	7029912				Screw - Air Horn
3	7014699				Screw - Air Horn
4	7031105				Screw - Air Horn
5	7026139				Lever - Pump Actuating
6	9428787				Roll Pin - Pump and Lockout Levers
6A	7035431				Screw - Idle Vent
7	7012548				Screw - Idle Vent Valve
8	7029993				Valve - Idle Vent
9	7036425				Idle Vent Valve Kit
10	7034300	7034300	7033549	7033549	Metering Rod - Secondary
11	7029087				Gasket - Air Horn
12	-				Lockout Lever - Air Valve
13	7034522				Secondary Metering Rod Holder Kit
-	7035344				Air Valve Spring and Cam Kit
-	7035494	7035494	-	-	Baffle - Air Horn

Note: For specific applications, refer to the 9A-100 POPULAR PARTS CATALOG  
CO, WD, 131, 132:16, 9X, 9FR, 9FD

PRINTED IN U.S.A.  
©1971 GENERAL MOTORS CORP.



	7029200	7029201	7029204	7029215	CARBURETOR No.
Illus. No.			CHOKE PARTS		
14	7036430				Choke Shaft and Valve Kit
15	7029866				Screw – Choke Valve
16	NSS				Choke Valve
17	7031925				Screw – Vacuum Break Control
18	7037501				Vacuum Break Control and Bracket Assembly
19	7036820	7036819	7036820	7036819	Cam – Fast Idle
20	7005109				Clip – Choke Rod
21	7026339				Hose – Vacuum
22	7038167				Rod – Vacuum Break
23	7005109				Clip – Vacuum Break Rod
24	7036067				Rod – Choke
25	7031231				Lever – Intermediate Choke
26	7038239				Vacuum Break Control Assembly
			FLOAT BOWL PARTS		
27	7036566	7036567	7036643	7036567	Float Bowl Assembly
28	7037327				Pump Assembly
29	7037314				Spring – Pump Return
30	7037316				Float Assembly
31	7037317				Hinge Pin – Float
32	7033751				Pull Clip – Float Needle
33	30-140				Needle and Seat Assembly
33A	KIT ONLY				Gasket – Needle Seat
34	7029862				Spring – Metering Rod – Primary
35	-	-	7020926	-	Screw – Cover Attaching
36	-	-	7029865	-	Cover – Idle Compensator
37	-	-	7034461	-	Idle Compensator Assembly
38	-	-	7027970	-	Gasket – Idle Compensator
39	7031365				Baffle Plate – Float Bowl
40	7034849	7034845	7034847	7034845	Metering Rod – Primary
41	7031971				Metering Jet – Primary
42	7034339				Retainer – Power Piston
43	7034903				Power Piston Assembly
44	7037319				Insert – Float Bowl
45	7029849				Retainer – Pump Discharge Ball
46	7002117				Ball – Pump Discharge
47	7036019				Spring – Power Piston
48	-				Screw – Diaphragm Retainer
49	-				Retainer – Float Needle Diaphragm
50	836159				Clip – Pump Rod
51	7027270				Lockout Lever – Secondary
52	7040955				Filter Nut – Fuel Inlet (See Note)
53	7032508				Gasket – Inlet Nut
54	-				Gasket – Filter
55	GF-427				Filter – Fuel Inlet
56	7034356				Spring – Inlet Filter
57	7032716				Rod – Pump
58	7002121				Screw – Idle Stop
59	7003176				Spring – Idle Stop Screw
			THROTTLE BODY PARTS		
60	7035523				Screw – Cam and Fast Idle Levers Attaching
61	7035806				Lever – Fast Idle
62	7029900				Spring – Fast Idle Screw
63	7029899				Screw – Fast Idle Adjusting
64	7035409				Lever – Cam Follower
64A	7035840				Lever – Wide Open Kick
65	KIT ONLY				Gasket – Throttle Body
66	7011479				Spring – Idle Needle
67	7041612	7032327	7041612	7032327	Needle – Idle Adjusting
68	7035790				Screw – Throttle Body
69	7035772				Spring – Cam Follower Lever
70	7036568	7036569	7036620	7036569	Throttle Body Assembly
71	3884574				Gasket – Flange

ACCESSORIES	
7029298	Diverter Valve Assembly – Corvette
7029297	Diverter Valve Assembly – All Other

NSS – NOT SERVICED SEPARATELY

Note: For Stripped Threads, Replace with 7041634 Adaptor Kit.

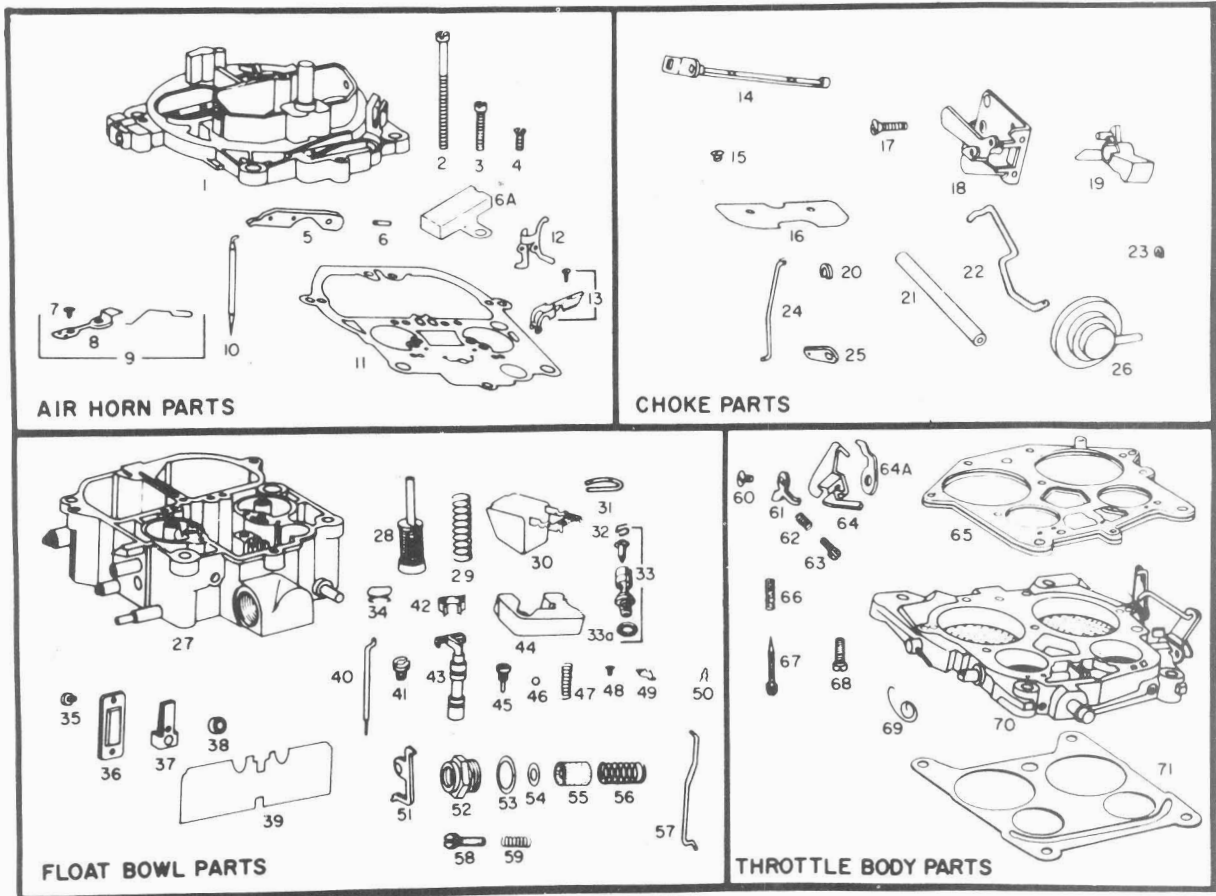


# Delco Carburetor

MODEL 4MV QUADRAJET  
 1969 CHEVROLET CHEVELLE,  
 CHEVY II, CAMARO, CORVETTE  
 350 CUBIC INCH ENGINE

BULLETIN 9C-3041  
 DATE: NOVEMBER 1971  
 PAGE 1

PARTS SHOWN ARE FOR IDENTIFICATION ONLY. CONSULT PARTS LIST FOR CORRECT PART NAME AND NUMBER



**PARTS IN ALL COLUMNS SAME – EXCEPT WHERE INDICATED**

	300 H.P. AUTO. TRANS.	300 H.P. MAN. TRANS.	325 H.P. MAN. TRANS.	APPLICATION
	7029202	7029203	7029207	CARBURETOR No.
	24-380	24-379	24-381	REPLACEMENT PACKAGE No.
	7036562	7036563	7036564	OVERHAUL KIT
	9149	9149	9149	POWER CARBURETOR KIT
	40-364	40-364	40-364	GASKET SET
	AIR HORN PARTS			
Illus. No.				
1	7037347	7037347	7037332	Air Horn Assembly
2	7029912			Screw – Air Horn
3	7014699			Screw – Air Horn
4	7031105			Screw – Air Horn
5	7026139			Lever – Pump Actuating
6	9428787			Roll Pin – Pump and Lockout Levers
6A	7035431			Shield – Idle Vent
7	7012548			Screw – Idle Vent Valve
8	7029993			Valve – Idle Vent
9	7036425			Idle Vent Valve Kit
10	7034320	7034320	7034822	Metering Rod – Secondary
11	7029087			Gasket – Air Horn
12	-			Lockout Lever – Air Valve
13	7034522			Secondary Metering Rod Holder Kit
-	7035344			Air Valve Spring and Cam Kit

	7029202	7029203	7029207	CARBURETOR No.
	CHOKE PARTS			
Illus. No.				
14	7036430			Choke Shaft and Valve Kit
15	7029866			Screw – Choke Valve
16	NSS			Choke Valve
17	7031925			Screw – Vacuum Break Control
18	7037501			Vacuum Break Control and Bracket Assembly
19	7036820	7036819	7036819	Cam – Fast Idle
20	7005109			Clip – Choke Rod
21	7026339			Hose – Vacuum
22	7038167			Rod – Vacuum Break
23	7005109			Clip – Vacuum Break Rod
24	7036067			Rod – Choke
25	7031231			Lever – Intermediate Choke
26	7038239			Vacuum Break Control Assembly
	FLOAT BOWL PARTS			
27	7036557	7036558	7036616	Float Bowl Assembly
28	7037337			Pump Assembly
29	7037314			Spring – Pump Return
30	7037316			Float Assembly
31	7037317			Hinge Pin – Float
32	7033751			Pull Clip – Float Needle
33	30-130			Needle and Seat Assembly
33A	KIT ONLY			Gasket – Needle Seat
34	7029862			Spring – Metering Rod – Primary
35	-			Screw – Cover Attaching
36	-			Cover – Idle Compensator
37	-			Idle Compensator Assembly
38	-			Gasket – Idle Compensator
39	7032324			Baffle Plate – Float Bowl
40	7034842	7034838	7034836	Metering Rod – Primary
41	7031967	7031967	7031966	Metering Jet – Primary
42	7034339			Retainer – Power Piston
43	7034903			Power Piston Assembly
44	7037319			Insert – Float Bowl
45	7029849			Retainer – Pump Discharge Ball
46	7002117			Ball – Pump Discharge
47	7036019			Spring – Power Piston
48	-			Screw – Diaphragm Retainer
49	-			Retainer – Float Needle Diaphragm
50	836159			Clip – Pump Rod
51	7027270			Lockout Lever – Secondary
52	7040955			Filter – Fuel Inlet (See Note)
53	7032508			Gasket – Inlet Nut
54	-			Gasket – Filter
55	GF-427			Filter – Fuel Inlet
56	7034356			Spring – Inlet Filter
57	7032716			Rod – Pump
58	7002121			Screw – Idle Stop
59	7003176			Spring – Idle Stop Screw
	THROTTLE BODY PARTS			
60	7035523			Screw – Cam and Fast Idle Levers Attaching
61	7035806			Lever – Fast Idle
62	7029900			Spring – Fast Idle Screw
63	7029899			Screw – Fast Idle Adjusting
64	7035409			Lever – Cam Follower
64A	7035840			Lever – Wide Open Kick
65	KIT ONLY			Gasket – Throttle Body
66	7011479			Spring – Idle Needle
67	7041612	7032327	7032327	Needle – Idle Adjusting
68	7035790			Screw – Throttle Body
69	7035772			Spring – Cam Follower Lever
70	7036559	7036773	7036561	Throttle Body Assembly
71	3884574			Gasket – Flange

ACCESSORIES	
7029295	Diverter Valve Assembly (7029202, 7029203)
7029199	Diverter Valve Assembly (7029207)

NSS – NOT SERVICED  
SEPARATELY

Note: For Stripped Threads, Replace with 7041634 Adaptor Kit.