



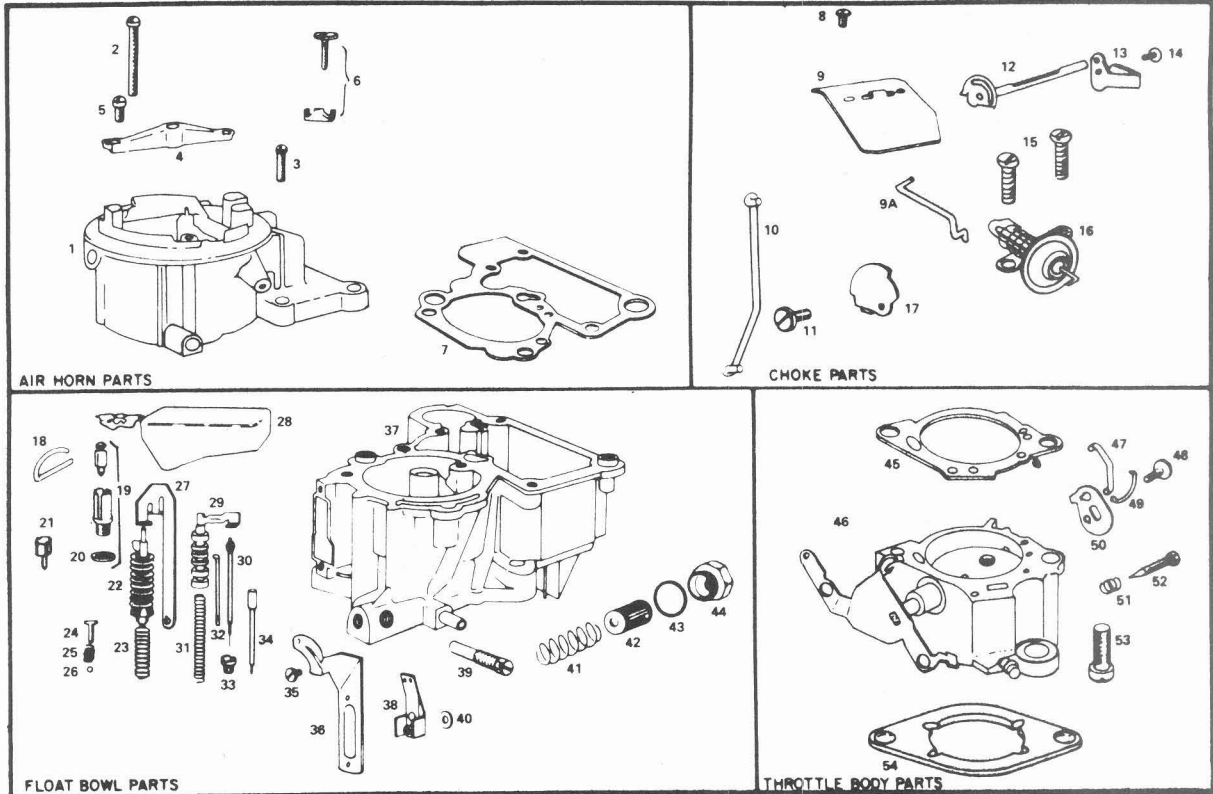
Delco Carburetor

MODEL MV MONOJET

1973 CHEVROLET, CHEVELLE, CAMARO, NOVA & EL CAMINO "6" 250 CUBIC INCH ENGINE

BULLETIN: 9C-3068
DATE: NOVEMBER 1972
PAGE 1

PARTS SHOWN ARE FOR IDENTIFICATION ONLY. CONSULT PARTS LIST FOR CORRECT PART NAME AND NUMBER



PARTS IN ALL COLUMNS SAME - EXCEPT WHERE INDICATED

| | AUTOMATIC TRANS. | MANUAL TRANS. | APPLICATION |
|------------|------------------|---------------|-------------------------------|
| | 7043014 | 7043017 | CARBURETOR No. |
| | 21-3020 | 21-3019 | REPLACEMENT PACKAGE No. |
| | 7046677 | 7046883 | OVERHAUL KIT |
| | 9248 | | POWER CARBURETOR KIT |
| | 40-412 | | GASKET SET |
| Illus. No. | AIR HORN PARTS | | |
| 1 | 7047281 | | Air Horn Assembly |
| 2 | 7038912 | | Screw—Air Horn (Long) |
| 3 | 7040135 | | Screw—Air Horn (Short) |
| 4 | 7037774 | | Bracket—Air Cleaner Stud |
| 5 | 7038913 | | Screw—Bracket Attaching |
| 6 | — | | Idle Vent Valve Kit |
| 7 | 7035166 | | Gasket—Air Horn |
| | CHOKE PARTS | | |
| 8 | 7020926 | | Screw—Choke Valve |
| 9 | 7034012 | | Choke Valve |
| 9A | 7035207 | | Link—Vacuum Break |
| 10 | 7037000 | | Choke Rod |
| 11 | 7003561 | | Screw—Cam Attaching |
| 12 | 7028175 | | Choke Shaft and Lever |
| 13 | 7030719 | | Choke Lever |
| 14 | 7019709 | | Screw—Choke Lever |
| 15 | 7040135 | | Screw—Vac. Break Bracket |
| 16 | 7030918 | | Vacuum Break Control Assembly |
| 17 | 7045905 | | Cam—Fast Idle |

| | 7043014 | 7043017 | CARBURETOR No. |
|------------|---------------------|---------|--------------------------------|
| Illus. No. | FLOAT BOWL PARTS | | |
| 18 | 7034032 | | Hinge Pin—Float |
| 19 | 30-133 | | Needle and Seat Assembly |
| 20 | KIT ONLY | | Gasket—Needle Seat |
| 21 | | | Power Valve |
| 22 | 7037597 | | Pump Assembly |
| 23 | 7008694 | | Spring—Pump Return |
| 24 | 7003838 | | Guide—Pump Discharge |
| 25 | 7002118 | | Spring—Pump Discharge |
| 26 | 7002117 | | Ball—Pump Discharge |
| 27 | 7042670 | | Lever—Pump Actuating |
| 28 | 7037022 | | Float Assembly |
| 29 | 7035889 | 7037804 | Power Piston Assembly |
| 30 | 7037782 | 7037974 | Metering Rod & Spring Assembly |
| 31 | 7012515 | 7034360 | Spring—Power Piston |
| 32 | 7024215 | | Rod—Power Piston |
| 33 | 7034206 | | Jet—Main Metering (Standard) |
| 33 | 7034203 | | Jet—Main Metering (Altitude) |
| 34 | 7046040 | 7046025 | Idle Tube Assembly |
| 35 | 7034030 | — | Screw—Cover |
| 36 | 7035670 | — | Cover—Idle Compensator |
| 37 | 7046669 | 7046670 | Float Bowl Assembly |
| 38 | 7035870 | — | Idle Compensator Assembly |
| 39 | — | — | Screw—Slow Idle |
| 40 | 7027970 | — | Gasket—Idle Compensator |
| 41 | 7031539 | — | Spring—Fuel Filter |
| 42 | GF-427 | — | Filter—Fuel Inlet |
| 43 | 7032508 | — | Gasket—Filter Nut |
| 44 | 7038946 | — | Filter Nut—Fuel Inlet |
| — | — | 1114444 | Solenoid (C.E.C.) (See Note) |
| — | — | 7030584 | Bracket Assembly—Solenoid |
| — | — | 7042654 | Nut—Solenoid Retaining |
| — | — | 7042653 | Locking Washer—Retaining Nut |
| — | — | 7043661 | Screw—Bracket Retaining |
| — | — | 7026339 | Hose—Solenoid Vacuum |
| — | 7040316 | — | Solenoid—Idle Stop |
| | THROTTLE BODY PARTS | | |
| 45 | KIT ONLY | | Gasket—Throttle Body |
| 46 | 7046671 | 7047576 | Throttle Body Assembly |
| 47 | 7037855 | | Link—Pump Lever |
| 48 | 7010435 | | Screw—Lever Attaching |
| — | 7043677 | | Limiter Cap—Idle Needle |
| 49 | 7024214 | | Link—Power Piston Rod |
| 50 | 7024216 | | Lever—Pump and Power Rods |
| 51 | 7038989 | | Spring—Idle Needle |
| 52 | 7041596 | | Idle Needle & Limiter Kit |
| 53 | 7038875 | | Screw—Throttle Body |
| 54 | 333977 | | Insulator—Flange |

NOTE: C.E.C. Solenoid Available Through Delco-Remy

ACCESSORIES

| | |
|---------|------------------------------|
| 7030605 | Vapor Canister |
| 7026014 | Filter Element |
| 7021739 | Drain Cap & Filter Assembly |
| 7041344 | Purge Valve Repair Kit |
| 7023987 | Spring—Purge Valve Diaphragm |
| 7045625 | Diverter Valve |
| 7035169 | EGR Valve (Auto. Trans.) |
| 7035171 | EGR Valve (Man. Trans.) |

EGR—Exhaust Gas Recirculation



Delco Carburetor

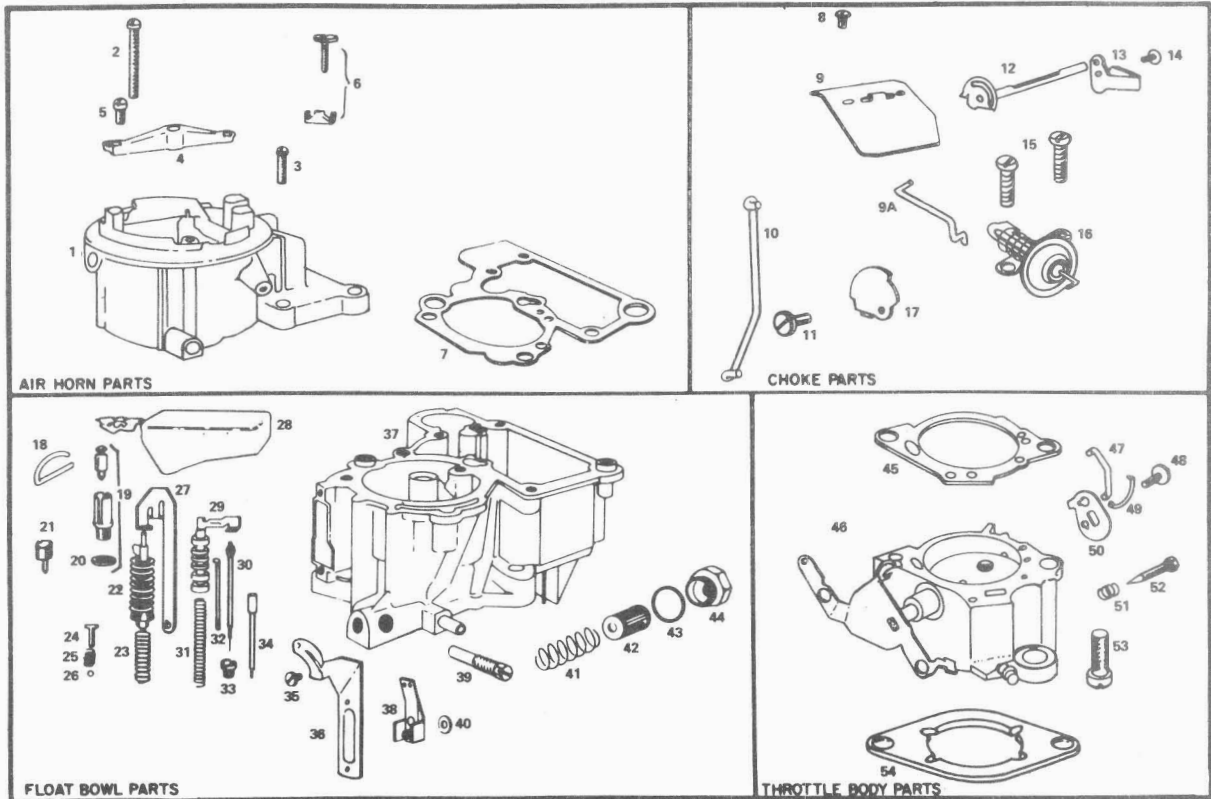
MODEL MV MONOJET

1973 CHEVROLET VEGA

140 CUBIC INCH "4"

BULLETIN 9C-3069
DATE: NOVEMBER, 1972
PAGE 1

PARTS SHOWN ARE FOR IDENTIFICATION ONLY. CONSULT PARTS LIST FOR CORRECT PART NAME AND NUMBER



PARTS IN ALL COLUMNS SAME EXCEPT WHERE INDICATED

| | NON CALIFORNIA | | CALIFORNIA | | APPLICATION |
|------------|------------------|---------------|------------------|---------------|--------------------------------|
| | AUTOMATIC TRANS. | MANUAL TRANS. | AUTOMATIC TRANS. | MANUAL TRANS. | |
| | 7043024 | 7043023 | 7043324 | 7043323 | CARBURETOR No. (Non Air Cond.) |
| | 7043034 | 7043033 | 7043334 | 7043333 | CARBURETOR No. (Air Cond.) |
| | 21-3022 | 21-3021 | 21-3022 | 21-3021 | REPLACEMENT PACKAGE No. |
| | 7046682 | | | | OVERHAUL KIT |
| | 9249 | | | | POWER CARBURETOR KIT |
| | 40-413 | | | | GASKET SET |
| Illus. No. | AIR HORN PARTS | | | | |
| 1 | 7047643 | | | | Air Horn Assembly |
| 2 | 7038912 | | | | Screw—Air Horn (Long) |
| 3 | 7040135 | | | | Screw—Air Horn (Short) |
| 4 | 7043656 | | | | Bracket—Air Cleaner Stud |
| 5 | 7042813 | | | | Screw—Bracket Attaching |
| 6 | — | | | | Idle Vent Valve Kit |
| 7 | 7040137 | | | | Gasket—Air Horn |
| | CHOKE PARTS | | | | |
| 8 | 7020926 | | | | Screw—Choke Valve |
| 9 | 7034012 | | | | Choke Valve |
| 9A | — | | | | Link—Vacuum Break |
| 10 | 7043739 | | | | Choke Rod |
| 11 | 7003561 | | | | Screw—Cam Attaching |
| 12 | 7043765 | | | | Choke Shaft and Lever |
| 13 | 7040489 | | | | Choke Lever & Link Assembly |
| 14 | 7019709 | | | | Screw—Choke Lever |
| 15 | 7040135 | | | | Screw—Vac. Break Bracket |
| 16 | 7040139 | | | | Vacuum Break Control Assembly |
| 17 | 7047947 | | | | Cam—Fast Idle |

| | 7043024 | 7043023 | 7043324 | 7043323 | CARBURETOR No. (Non Air Cond.) |
|------------|---------------------|---------|---------|---------|---------------------------------------|
| | 7043034 | 7043033 | 7043334 | 7043333 | CARBURETOR No. (Air Cond.) |
| Illus. No. | FLOAT BOWL PARTS | | | | |
| 18 | 7034032 | | | | Hinge Pin—Float |
| 19 | 30-149 | | | | Needle and Seat Assembly |
| 20 | KIT ONLY | | | | Gasket—Needle Seat |
| 21 | 7030668 | | | | Power Valve |
| 22 | 7045943 | | | | Pump Assembly |
| 23 | 7004597 | | | | Spring—Pump Return |
| 24 | 7003838 | | | | Guide—Pump Discharge |
| 25 | 7002118 | | | | Spring—Pump Discharge |
| 26 | 7002117 | | | | Ball—Pump Discharge |
| 27 | 7042670 | | | | Lever—Pump Actuating |
| 28 | 7037022 | | | | Float Assembly |
| 29 | — | | | | Power Piston Assembly |
| 30 | — | | | | Metering Rod & Spring Assembly |
| 31 | — | | | | Spring—Power Piston |
| 32 | — | | | | Rod—Power Piston |
| 33 | 7034153 | | | | Jet—Main Metering |
| 34 | 7046023 | | | | Idle Tube Assembly |
| 35 | 7034030 | | | | Screw—Cover (Air Cond.) |
| 36 | 7035670 | | | | Cover—Idle Compensator (Air Cond.) |
| 37 | 7046680 | | | | Float Bowl Assembly |
| 38 | 7035667 | | | | Idle Compensator Assembly (Air Cond.) |
| 39 | — | | | | Screw—Slow Idle |
| 40 | 7027970 | | | | Gasket—Idle Compensator (Air Cond.) |
| 41 | 7031539 | | | | Spring—Fuel Filter |
| 42 | GF-427 | | | | Filter—Fuel InJet |
| 43 | 7032508 | | | | Gasket—Filter Nut |
| 44 | 7038946 | | | | Filter Nut—Fuel Inlet |
| — | 7040219 | | | | Solenoid—Idle Stop |
| | THROTTLE BODY PARTS | | | | |
| 45 | KIT ONLY | | | | Gasket—Throttle Body |
| 46 | 7046383 | | | | Throttle Body Assembly |
| 47 | 7040900 | | | | Link—Pump Lever |
| 48 | 7010435 | | | | Screw—Lever Attaching |
| — | 7043677 | | | | Limitter Cap—Idle Needle |
| 49 | — | | | | Link—Power Piston Rod |
| 50 | 7027005 | | | | Lever—Pump and Power Rods |
| 51 | 7038989 | | | | Spring—Idle Needle |
| 52 | 7041580 | | | | Idle Needle & Limiter Kit |
| 53 | 7038875 | | | | Screw—Throttle Body |
| 54 | 3983440 | | | | Gasket—Flange |
| — | 331124 | | | | Insulator—Flange |

| ACCESSORIES | |
|-------------|------------------------------|
| 7030758 | Vapor Canister |
| 7026014 | Filter Element |
| 7021739 | Drain Cap & Filter Assembly |
| 7041344 | Purge Valve Repair Kit |
| 7023987 | Spring—Purge Valve Diaphragm |
| 7030879 | EGR Valve (Auto Trans.) |
| 7046497 | EGR Valve (Man. Trans.) |

EGR — Exhaust Gas Recirculation

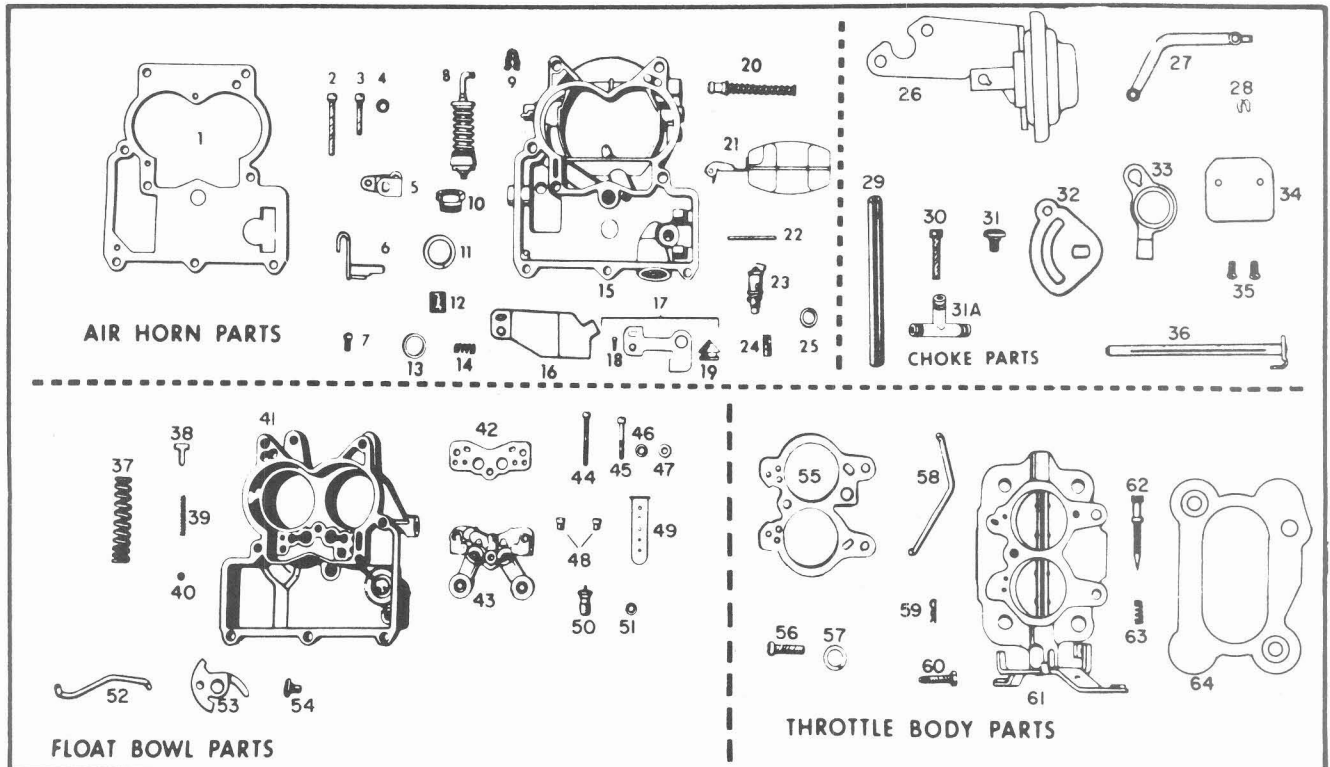


Delco Carburetor

MODEL 2GV CARBURETORS
1973 NOVA, CAMARO
CHEVELLE, EL CAMINO V-8
307 CUBIC INCH ENGINE

BULLETIN 9C-3070
DATE: NOVEMBER, 1972
PAGE 1

PARTS SHOWN ARE FOR IDENTIFICATION ONLY. CONSULT PARTS LIST FOR CORRECT PART NAME AND NUMBER



PARTS IN ALL COLUMNS SAME - EXCEPT WHERE INDICATED

| | All Exc. Cam. MAN. TRANS. | Nova AUTO. TRANS. | Camaro MAN. TRANS. | Camaro AUTO. TRANS. | APPLICATION |
|------------|------------------------------|----------------------|-----------------------|------------------------|-------------------------------|
| | 7043101 | 7043100 | 7043105 | 7043120 | CARBURETOR No. |
| | 22-3047 | 22-3048 | 22-3047 | 22-3048 | REPLACEMENT PKG. No. |
| | 7046884 | 7046705 | 7046884 | 7046705 | OVERHAUL KIT |
| | 9250 | | | | POWER CARBURETOR KIT |
| | 40-414 | | | | GASKET SET |
| Illus. No. | AIR HORN PARTS | | | | |
| 1 | 7032888 | | | | Gasket—Air Horn |
| 2 | 7010432 | | | | Screw—Air Horn (Long) |
| 3 | 7006119 | | | | Screw—Air Horn (Short) |
| 4 | 120217 | | | | Lockwasher—Air Horn Screws |
| 5 | 7038630 | | | | Lever—Pump Inside |
| 6 | 7038788 | | | | Pump Shaft and Lever Assembly |
| 7 | 7011270 | | | | Screw—Pump Lever |
| | 7019568 | | | | Washer—Pump Lever |
| 8 | 7045908 | | | | Pump Assembly |
| 9 | — | | — | | Clip—Pump Plunger |
| 10 | 7040952 | 7040952 | 7040953 | 7040953 | Nut—Fuel Filter |
| | — | — | 137422 | 137422 | Elbow—Fuel Filter |
| 11 | 7032508 | | | | Gasket—Fuel Filter |
| 12 | 7013404 | | | | Filter—Fuel Inlet |
| 13 | 7013584 | | | | Gasket—Fuel Filter |
| 14 | 7034356 | | | | Spring—Fuel Filter |
| 15 | 7046702 | | | | Air Horn Assembly |
| 16 | — | | — | | Shield—Idle Vent Valve |
| 17 | — | | — | | Idle Vent Valve Kit |
| 18 | — | | — | | Screw—Vent Valve and Shield |
| 19 | — | | — | | Idle Vent Valve |

| | 7043101 | 7043100 | 7043105 | 7043120 | CARBURETOR No. |
|---------------------|----------------------------|---------|---------|---------|--------------------------------------|
| Illus. No. | AIR HORN PARTS (Continued) | | | | |
| 20 | 7034359 | 7009718 | 7034359 | 7009718 | Power Piston Assembly |
| 21 | 7037512 | | | | Float Assembly |
| 22 | 7002081 | | | | Pin-Float Assembly |
| 23 | 30-132 | | | | Needle and Seat Assembly |
| 24 | 7006079 | | | | Strainer-Needle Seat |
| 25 | KIT ONLY | | | | Gasket-Needle Seat |
| CHOKE PARTS | | | | | |
| 26 | 7042715 | | | | Vacuum Break Control & Bracket Assy. |
| 27 | 7040239 | | | | Rod-Vacuum Control |
| 28 | - | | | | Clip-Control Rod |
| 29 | 7026339 | | | | Hose-Vacuum |
| 30 | 7011270 | | | | Screw-Vacuum Control Attaching |
| 31 | 7019709 | | | | Screw-Stat Rod Lever |
| 31A | - | | - | | Tee-Air Bleed Valve |
| 32 | 7040002 | | | | Lever-Stat Rod |
| 33 | 7026239 | | | | Choke Lever |
| 34 | 7025955 | | | | Choke Valve |
| 35 | 7007627 | | | | Screw-Choke Valve |
| 36 | 7047839 | | | | Choke Shaft Assembly |
| FLOAT BOWL PARTS | | | | | |
| 37 | 7043600 | | | | Spring-Pump Return |
| - | 7002120 | | | | Ball-Pump Inlet Check |
| - | 7004557 | | | | Strainer-Pump Inlet |
| 38 | 7000286 | | | | Guide-Pump Discharge |
| 39 | 7002118 | | | | Spring-Pump Discharge |
| 40 | 7002117 | | | | Ball-Pump Discharge |
| 41 | 7046703 | 7046893 | 7046703 | 7046893 | Float Bowl Assembly |
| 42 | KIT ONLY | | | | Gasket-Venturi Cluster |
| 43 | 7047925 | 7047707 | 7047925 | 7047707 | Venturi Cluster Assembly |
| 44 | 7000293 | | | | Screw-Venturi Cluster-Outer |
| 45 | 7000294 | | | | Screw-Cluster-Center |
| 46 | 121841 | | | | Lockwasher-Outer Screws |
| 47 | KIT ONLY | | | | Gasket-Center Screw |
| 48 | 7002650 | | | | Jet-Standard |
| 49 | 7021528 | | | | Insert-Main Well |
| 50 | 7037115 | 7006331 | 7037115 | 7006331 | Power Valve Assembly |
| 51 | KIT ONLY | | | | Gasket-Power Valve |
| 52 | 7030521 | | | | Choke Rod |
| 53 | 7040295 | | | | Cam-Fast Idle |
| 54 | 7003561 | | | | Screw-Cam Attaching |
| - | *1997409 | | | | Solenoid-Idle Stop |
| - | 7042818 | | | | Bracket Assembly-Solenoid |
| - | 7042654 | | | | Nut-Solenoid |
| - | 7042653 | | | | Locking Washer-Retaining Nut |
| - | 7043682 | | | | Screw-Solenoid Bracket |
| THROTTLE BODY PARTS | | | | | |
| 55 | KIT ONLY | | | | Gasket-Throttle Body |
| 56 | 7015105 | | | | Screw-Throttle Body |
| 57 | 121744 | | | | Lockwasher-Throttle Body Screws |
| 58 | 7038799 | | | | Pump Rod |
| 59 | 7018186 | | | | Clip-Pump Rod |
| 60 | 7029427 | | | | Idle Stop Screw |
| - | 7029428 | | | | Spring-Idle Stop Screw |
| 61 | 7047295 | | | | Throttle Body Assembly |
| 62 | 7041612 | | | | Idle Needle & Limiter Kit |
| - | 7043684 | | | | Limiter Cap-Idle Needle |
| 63 | 7011479 | | | | Spring-Idle Needle |
| 64 | 6262904 | | | | Insulator-Flange |

*Idle Stop Solenoid Available Through Delco-Remy

| ACCESSORIES | |
|-------------|------------------------------|
| 7030605 | Vapor Canister |
| 7021739 | Canister Filter Assembly |
| 7026014 | Filter Element |
| 7041344 | Purge Valve Repair Kit |
| 7023987 | Spring-Purge Valve Diaphragm |
| 7029295 | Diverter Valve Assembly |
| 7035170 | EGR Valve |

EGR-Exhaust Gas Recirculation



Delco Carburetor

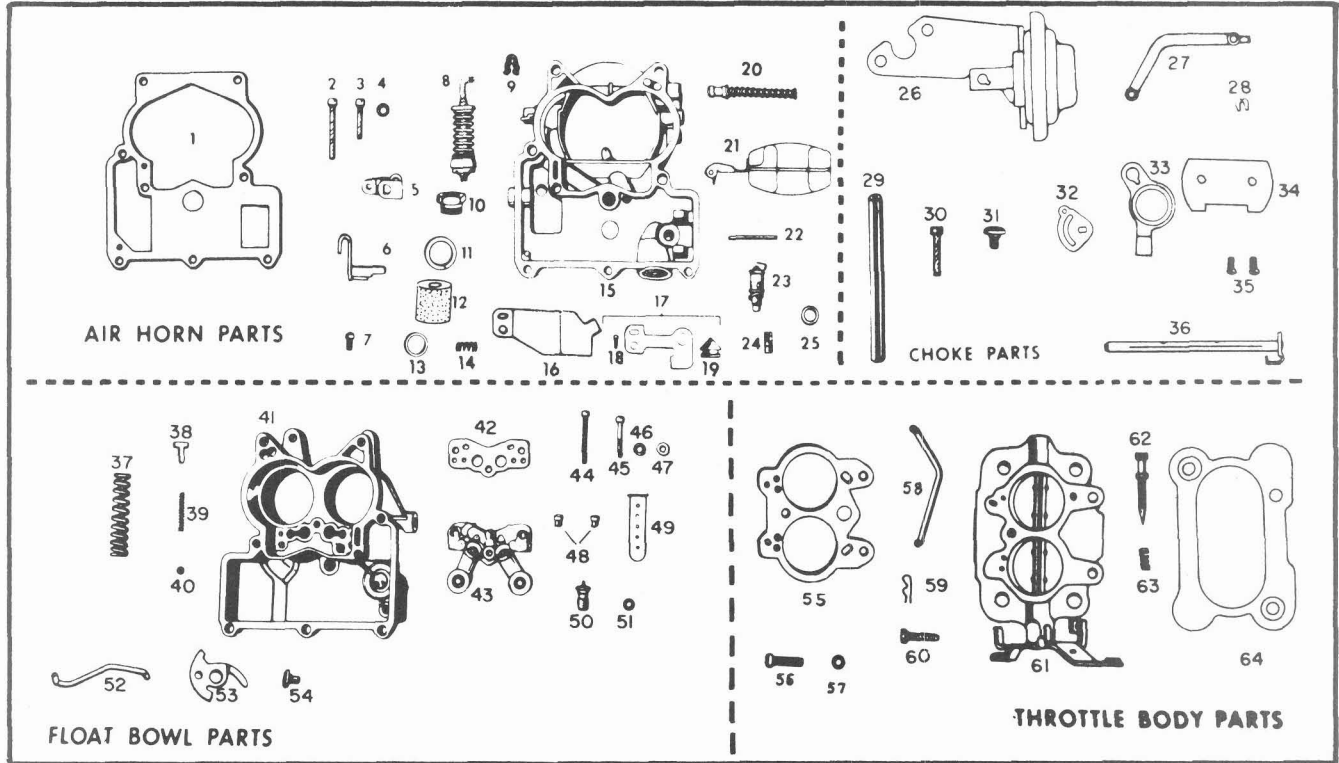
MODEL 2GV CARBURETORS

1973 CHEVROLET, NOVA, CHEVELLE, MONTE CARLO, CAMARO V-8

350/400 CUBIC INCH ENGINE

BULLETIN 9C-3071
DATE: NOVEMBER, 1972
PAGE 1

PARTS SHOWN ARE FOR IDENTIFICATION ONLY. CONSULT PARTS LIST FOR CORRECT PART NAME AND NUMBER



PARTS IN ALL COLUMNS SAME – EXCEPT WHERE INDICATED

| | 350 CAMARO | | 350 ALL OTHER | | 400 CHEVROLET AUTO. TRANS. | APPLICATION |
|--|-------------|--------------|---------------|--------------|----------------------------------|----------------------|
| | MAN. TRANS. | AUTO. TRANS. | MAN. TRANS. | AUTO. TRANS. | | |
| | 7043111 | 7043112 | 7043113 | 7043114 | 7043118 | CARBURETOR No. |
| | 22-3049 | 22-3050 | 22-3049 | 22-3050 | 22-3052 | REPLACEMENT PKG. No. |
| | 7046716 | | | | | OVERHAUL KIT |
| | 9251 | | | | | POWER CARBURETOR KIT |
| | 40-415 | | | | | GASKET SET |

| Illus. No. | AIR HORN PARTS | | | | | |
|------------|----------------|---------|---------|---------|---------|-------------------------------|
| 1 | 7045671 | | | | | Gasket—Air Horn |
| 2 | 7010432 | | | | | Screw—Air Horn (Long) |
| 3 | 7006119 | | | | | Screw—Air Horn (Short) |
| 4 | 120217 | | | | | Lockwasher—Air Horn Screws |
| 5 | 7038630 | | | | | Lever—Pump Inside |
| 6 | 7038788 | | | | | Pump Shaft and Lever Assembly |
| 7 | 7011270 | | | | | Screw—Pump Lever |
| — | 7019568 | | | | | Washer—Pump Lever |
| 8 | 7046028 | 7036282 | 7046028 | 7036282 | 7036282 | Pump Assembly |
| 9 | 9428895 | 9428895 | — | — | — | Elbow—Filter Nut |
| 10 | 7040958 | 7040958 | 7040955 | 7040955 | 7040955 | Nut—Fuel Filter |
| 11 | 7032508 | | | | | Gasket—Fuel Filter |
| 12 | 7013404 | 7013404 | GF-427 | GF-427 | GF-427 | Filter—Fuel Inlet |
| 13 | 7013584 | 7013584 | — | — | — | Gasket—Fuel Filter |
| 14 | 7034356 | | | | | Spring—Fuel Filter |
| 15 | 7046711 | 7046712 | 7046711 | 7046712 | 7046712 | Air Horn Assembly |
| 16 | — | | | | | Shield—Idle Vent Valve |
| 17 | — | | | | | Idle Vent Valve Kit |
| 18 | — | | | | | Screw Vent Valve and Shield |
| 19 | — | | | | | Idle Vent Valve |

| | 7043111 | 7043112 | 7043113 | 7043114 | 7043118 | CARBURETOR No. |
|---------------------|----------------------------|---------|---------|---------|---------|---------------------------------|
| Illus. No. | AIR HORN PARTS (Continued) | | | | | |
| 20 | 7009054 | 7006323 | 7009054 | 7006323 | 7006323 | Power Piston Assembly |
| 21 | 7037512 | | | | | Float Assembly |
| 22 | 7002081 | | | | | Pin-Float Hinge |
| 23 | 30-132 | | | | | Needle and Seat Assembly |
| 24 | - | | | | | Strainer-Needle Seat |
| 25 | KIT ONLY | | | | | Gasket-Needle Seat |
| CHOKE PARTS | | | | | | |
| 26 | 7040238 | | | | | Vacuum Break Control & Bracket |
| 27 | 7040239 | | | | | Rod-Vacuum Control |
| 28 | - | | | | | Clip-Control Rod |
| 29 | 7026339 | | | | | Hose-Vacuum |
| 30 | 7037570 | | | | | Screw-Vacuum Control Attaching |
| 31 | 7019709 | | | | | Screw-Stat Rod Lever |
| 32 | 7040002 | | | | | Lever-Stat Rod |
| 33 | 7026239 | | | | | Choke Lever |
| 34 | 7033443 | | | | | Choke Valve |
| 35 | 7007627 | | | | | Screw-Choke Valve |
| 36 | 7047797 | | | | | Choke Shaft Assembly |
| FLOAT BOWL PARTS | | | | | | |
| 37 | 7043600 | | | | | Spring-Pump Return |
| - | 7002120 | | | | | Ball-Pump Inlet Check |
| - | 7004557 | | | | | Strainer-Pump Inlet |
| 38 | 7000286 | | | | | Guide-Pump Discharge |
| 39 | 7002118 | | | | | Spring-Pump Discharge |
| 40 | 7002117 | | | | | Ball-Pump Discharge |
| 41 | 7046713 | 7046714 | 7046713 | 7046714 | 7046911 | Float Bowl Assembly |
| 42 | KIT ONLY | | | | | Gasket-Venturi Cluster |
| 43 | 7047645 | 7047828 | 7047645 | 7047828 | 7047820 | Venturi Cluster Assembly |
| 44 | 7045762 | | | | | Screw-Venturi Cluster-Outer |
| 45 | 7009077 | | | | | Screw-Cluster-Center |
| 46 | 120217 | | | | | Lockwasher-Outer Screws |
| 47 | KIT ONLY | | | | | Gasket-Center Screw |
| 48 | 7002651 | 7002650 | 7002651 | 7002650 | 7002650 | Jet-Standard (See Note) |
| 49 | 7040320 | | | | | Insert-Main Well |
| 50 | 7011989 | | | | | Power Valve Assembly |
| 51 | KIT ONLY | | | | | Gasket-Power Valve |
| 52 | 7036186 | | | | | Choke Rod |
| 53 | 7040296 | | | | | Cam-Fast Idle |
| 54 | 7003561 | | | | | Screw-Cam Attaching |
| - | *1997409 | | | | | Solenoid-Idle Stop |
| - | 7042818 | | | | | Bracket Assembly-Solenoid |
| - | 7042654 | | | | | Nut-Solenoid Retaining |
| - | 7042653 | | | | | Locking Washer-Solenoid Nut |
| - | 7043682 | | | | | Screw-Bracket Retaining |
| THROTTLE BODY PARTS | | | | | | |
| 55 | KIT ONLY | | | | | Gasket-Throttle Body |
| 56 | 7015105 | | | | | Screw-Throttle Body |
| 57 | 121744 | | | | | Lockwasher-Throttle Body Screws |
| 58 | 7038799 | | | | | Pump Rod |
| 59 | 7018186 | | | | | Clip-Pump Rod |
| 60 | 7029427 | | | | | Idle Stop Screw |
| - | 7029428 | | | | | Spring-Idle Stop Screw |
| 61 | 7047929 | | | | | Throttle Body Assembly |
| 62 | 7041612 | | | | | Idle Needle & Limiter Kit |
| 63 | 7011479 | | | | | Spring-Idle Needle |
| - | 7043684 | | | | | Limiter Cap-Idle Needle |
| 64 | 6262906 | | | | | Insulator-Flange |

*Idle Stop Solenoid Available Through Delco-Remy

| ACCESSORIES | |
|-------------|------------------------------------|
| 7030605 | Vapor Canister |
| 7021739 | Canister Filter Assembly |
| 7026014 | Filter Element |
| 7041344 | Purge Valve Repair Kit |
| 7023987 | Spring-Purge Valve Diaphragm |
| 7029295 | Diverter Valve |
| 7035172 | EGR Valve (400 Exc. Station Wagon) |
| 7040453 | EGR Valve (400 Station Wagon) |
| 7040042 | EGR Valve (350 Man. Trans.) |
| 7040437 | EGR Valve (350 Auto. Trans.) |

EGR-Exhaust Gas Recirculation

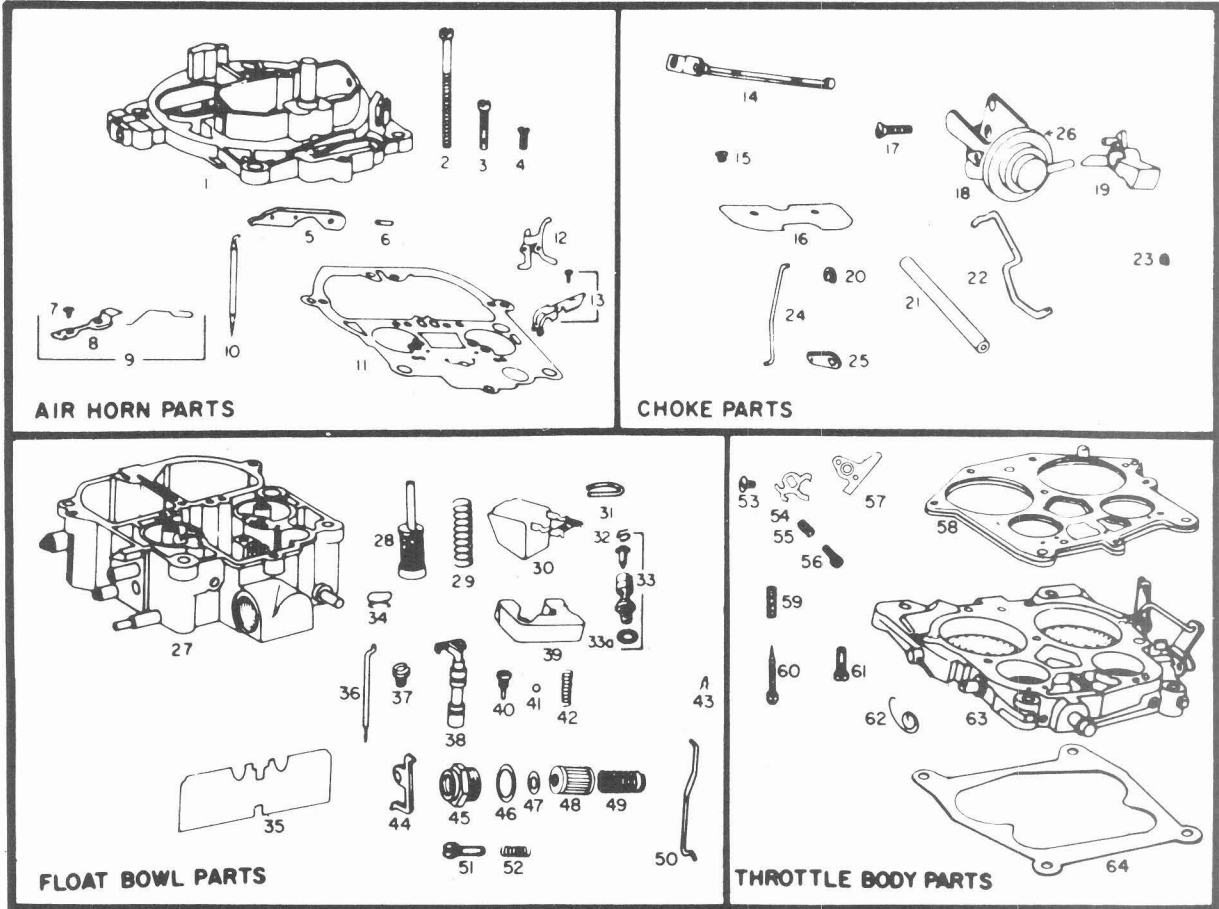


Delco Carburetor

MODEL 4MV QUADRAJET
 1973 CHEVROLET, CHEVELLE,
 CAMARO, MONTE CARLO,
 EL CAMINO, CORVETTE, NOVA
 350 AND 454 CUBIC INCH ENGINES

BULLETIN: 9C-3072
 DATE: NOVEMBER, 1972
 PAGE 1

PARTS SHOWN ARE FOR IDENTIFICATION ONLY. CONSULT PARTS LIST FOR CORRECT PART NAME AND NUMBER



PARTS IN ALL COLUMNS SAME – EXCEPT WHERE INDICATED

| Illus. No. | 350 HI PERF. CAMARO & CORVETTE | | 350 ALL OTHER | | 454 ALL | | APPLICATION |
|------------|--------------------------------|-------------|---------------|-------------|--------------|-------------|-----------------------------------|
| | AUTO. TRANS. | MAN. TRANS. | AUTO. TRANS. | MAN. TRANS. | AUTO. TRANS. | MAN. TRANS. | |
| | 7043212 | 7043213 | 7043202 | 7043203 | 7043200 | 7043201 | CARBURETOR No. |
| | 24-3025 | 24-3025 | 24-3024 | 24-3024 | 24-3022 | 24-3023 | REPLACEMENT PACKAGE No. |
| | 7046828 | 7046828 | 7046828 | 7046828 | 7046777 | 7046778 | OVERHAUL KIT |
| | 9259 | | | | | | POWER CARBURETOR KIT |
| | 40-420 | | | | | | GASKET SET |
| | AIR HORN PARTS | | | | | | |
| 1 | 7044884 | 7044884 | 7044884 | 7044884 | 7047613 | 7047613 | Air Horn Assembly |
| 2 | 7029912 | | | | | | Screw—Air Horn |
| 3 | 7014699 | | | | | | Screw—Air Horn |
| 4 | 7031105 | | | | | | Screw—Air Horn |
| 5 | 7048028 | | | | | | Lever—Pump Actuating |
| 6 | 9428787 | | | | | | Roll Pin—Pump and Lockout Levers |
| 7 | — | | | | | | Screw—Idle Vent Valve |
| 8 | — | | | | | | Valve—Idle Vent |
| 9 | — | | | | | | Idle Vent Valve Kit |
| 10 | 7046010 | | | | | | Metering Rod—Secondary |
| 11 | 7038841 | | | | | | Gasket—Air Horn |
| 12 | — | | | | | | Lockout Lever—Air Valve |
| 13 | 7034522 | | | | | | Secondary Metering Rod Holder Kit |
| — | 7035344 | | | | | | Air Valve Spring and Cam Kit |

| | 7043212 | 7043213 | 7043202 | 7043203 | 7043200 | 7043201 | CARBURETOR No. | |
|------------|---------------------|----------|----------|----------|----------|----------|---|--|
| Illus. No. | CHOKE PARTS | | | | | | | |
| 14 | 7038855 | 7038855 | 7038855 | 7038855 | 7047614 | 7047614 | Choke Shaft and Lever Assembly | |
| 15 | 7029866 | | | | | | Screw—Choke Valve | |
| 16 | 7036021 | | | | | | Choke Valve | |
| 17 | 7031925 | | | | | | Screw—Vacuum Break Control | |
| 18 | 7047924 | 7047924 | 7047878 | 7047878 | 7047872 | 7047872 | Vacuum Break Control and Bracket Assembly | |
| 19 | 7047876 | 7047876 | 7047876 | 7047876 | 7047378 | 7047378 | Cam—Fast Idle | |
| 20 | 7005109 | | | | | | Clip—Choke Rod | |
| 21 | 7026339 | | | | | | Hose—Vacuum | |
| 22 | 7024257 | | | | | | Rod—Vacuum Break | |
| — | 7024256 | 7024256 | 7024256 | 7024256 | 7040039 | 7040039 | Intermediate Choke Rod | |
| 23 | 7005109 | | | | | | Clip—Intermediate Choke Rod | |
| 24 | 7037557 | | | | | | Rod—Choke | |
| 25 | 7031231 | | | | | | Lever—Intermediate Choke | |
| 26 | 7040386 | 7040386 | 7040181 | 7040181 | 7040384 | 7040384 | Vacuum Break Control Assembly | |
| | FLOAT BOWL PARTS | | | | | | | |
| 27 | 7046846 | 7046846 | 7046826 | 7046826 | 7046772 | 7046773 | Float Bowl Assembly | |
| 28 | 7040691 | | | | | | Pump Assembly | |
| 29 | 7004597 | | | | | | Spring—Pump Return | |
| 30 | 7037316 | | | | | | Float Assembly | |
| 31 | 7037317 | | | | | | Hinge Pin—Float | |
| 32 | 7033751 | | | | | | Pull Clip—Float Needle | |
| 33 | 30-140 | | | | | | Needle and Seat Assembly | |
| 33A | KIT ONLY | | | | | | Gasket—Needle Seat | |
| 34 | 7029862 | | | | | | Spring—Metering Rod—Primary | |
| 35 | 7031365 | | | | | | Baffle Plate—Float Bowl | |
| 36 | 7034844 | 7034844 | 7034844 | 7034844 | 7034850 | 7034848 | Metering Rod—Primary | |
| 37 | 7031974 | 7031974 | 7031973 | 7031973 | 7031977 | 7031977 | Metering Jet—Primary | |
| 38 | 7034903 | | | | | | Power Piston Assembly | |
| 39 | 7037319 | | | | | | Insert—Float Bowl | |
| 40 | 7029849 | | | | | | Retainer—Pump Discharge Ball | |
| 41 | 7002117 | | | | | | Ball—Pump Discharge | |
| 42 | 7036019 | | | | | | Spring—Power Piston | |
| 43 | — | | | | | | Clip—Pump Rod | |
| 44 | 7027270 | | | | | | Lockout Lever—Secondary | |
| 45 | 7045605 | | | | | | Filter Nut—Fuel Inlet | |
| 46 | 7024281 | | | | | | Gasket—Inlet Nut | |
| 47 | — | | | | | | Gasket—Filter | |
| 48 | GF-427 | | | | | | Filter—Fuel Inlet | |
| 49 | 7030588 | | | | | | Spring—Inlet Filter | |
| 50 | 7026138 | | | | | | Rod—Pump | |
| 51 | 7002121 | | | | | | Screw—Idle Stop | |
| 52 | 7003176 | | | | | | Spring—Idle Stop Screw | |
| — | *1997409 | *1997409 | *1997409 | *1997409 | *1997417 | *1997417 | Solenoid—Idle Stop | |
| — | 7042682 | | | | | | Bracket—Solenoid | |
| — | 7042653 | | | | | | Locking Washer—Retaining Nut | |
| — | 7042654 | | | | | | Nut—Solenoid Retaining | |
| — | 7043682 | | | | | | Screw—Bracket | |
| | THROTTLE BODY PARTS | | | | | | | |
| 53 | 7035523 | | | | | | Screw—Cam and Fast Idle Levers Attaching | |
| 54 | 7030677 | | | | | | Lever—Fast Idle | |
| 55 | 7029900 | | | | | | Spring—Fast Idle Screw | |
| 56 | 7029899 | | | | | | Screw—Fast Idle Adjusting | |
| 57 | 7043634 | | | | | | Lever—Cam Follower | |
| 58 | KIT ONLY | | | | | | Gasket—Throttle Body | |
| 59 | 7011479 | | | | | | Spring—Idle Needle | |
| 60 | 7041716 | | | | | | Idle Needle & Limiter Kit | |
| — | 7042801 | | | | | | Limiter Cap—Idle Needle | |
| 61 | 7035790 | | | | | | Screw—Throttle Body | |
| 62 | 7035772 | | | | | | Spring—Cam Follower Lever | |
| 63 | 7046847 | 7046847 | 7046875 | 7046827 | 7046774 | 7046774 | Throttle Body Assembly | |
| 64 | 3998912 | | | | | | Insulator—Flange | |
| | ACCESSORIES | | | | | | | |
| — | 7030605 | | | | | | Vapor Canister | |
| — | 7026014 | | | | | | Filter Element—Canister | |
| — | 7021739 | | | | | | Canister Filter Assembly | |
| — | 7041344 | | | | | | Purge Valve Repair Kit | |
| — | 7023987 | | | | | | Spring—Purge Valve | |
| — | 7028035 | | | | | | Liquid Separator (Corvette) | |
| — | 7029199 | 7029199 | 7029199 | 7029199 | 7029190 | 7029190 | Diverter Valve (Corvette) | |
| — | 7029295 | 7029295 | 7029295 | 7029295 | 7046328 | 7046328 | Diverter Valve (All Other) | |
| — | 7047065 | 7040299 | 7035172 | 7040318 | 7047066 | 7047066 | EGR Valve | |

* Idle Stop Solenoid Available Through Delco-Remy

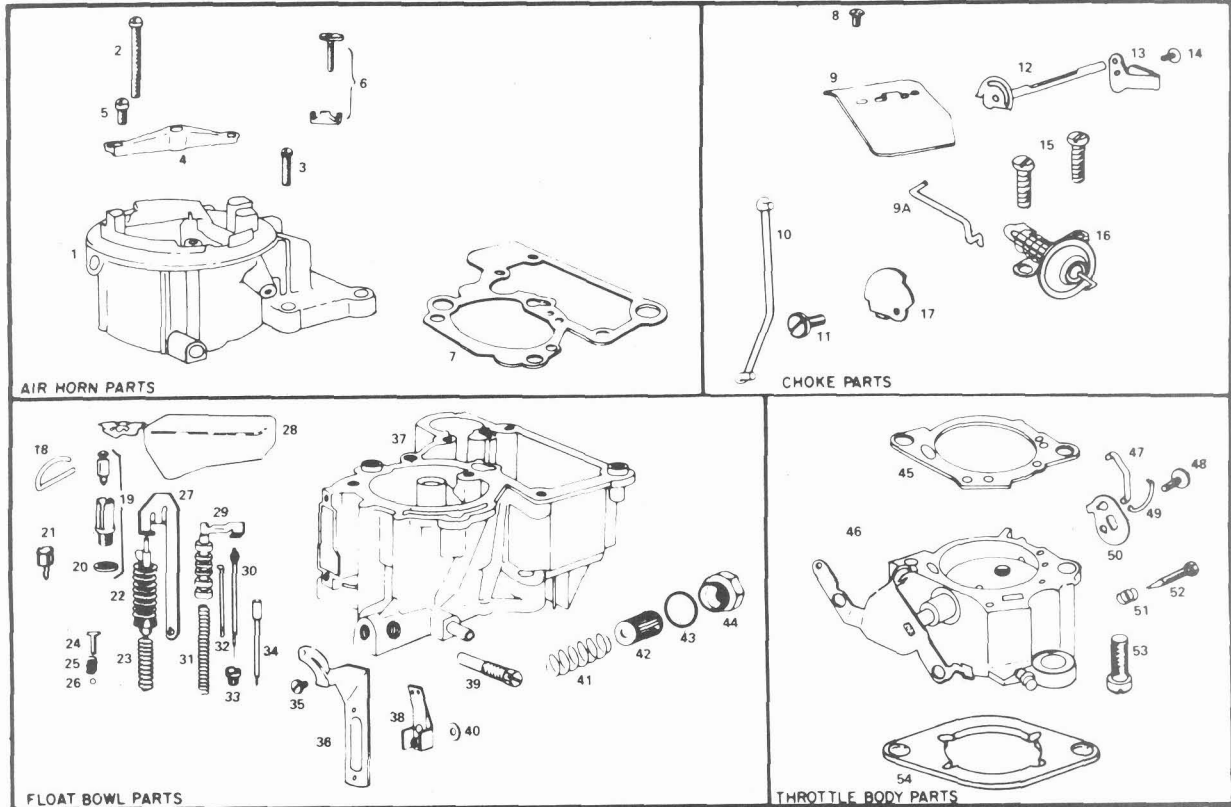


Delco Carburetor

MODEL 1MV MONOJET
1973-74 CHEVROLET CHEVELLE, CAMARO, NOVA, ELCAMINO,
VEGA
250 CUBIC INCH ENGINE (6 CYL.)

BULLETIN: 9C-3164
DATE: SEPTEMBER 1979
PAGE 1

A-Malibu; ASP-Monte Carlo; B-Impala, Caprice; F-Camaro; HSP-Monza; T-Chevette; X-Nova; Y-Corvette



PARTS SHOWN ARE FOR IDENTIFICATION ONLY. CONSULT PARTS LIST FOR CORRECT PART NAME AND NUMBER

PARTS IN ALL COLUMNS SAME — EXCEPT WHERE INDICATED

| | 1973 250-CU. IN. 6-CYL. M/T & A/T | 1973 140-CU. IN. 4-CYL. AM/T & A/T | 1974 140-CU. IN. 4-CYL. M/T & A/T | APPLICATION |
|-------------------|--|---|--|--------------------------------|
| | 17054303 | 17054970 | 17054971 | CARBURETOR No. |
| | 21-3090 | 21-3094 | 21-3095 | REPLACEMENT PACKAGE No. |
| | 7046677 | N.S.S. | N.S.S. | OVERHAUL KIT |
| | 9248 | 9249 | 9249 | POWER CARBURETOR KIT |
| | 40-412 | 40-413 | 40-413 | GASKET SET |
| Illus. No. | AIR HORN PARTS | | | |
| 1 | 7049919 | 7047643 | 7048721 | Air Horn Assembly |
| 2 | 7038912 | 7038912 | 7038912 | Screw—Air Horn (Long) |
| 3 | 7030917 | | | Screw—Air Horn (Short) |
| 4 | 7037774 | 7043656 | 7043656 | Bracket—Air Cleaner Stud |
| 5 | 7042813 | | | Screw—Bracket Attaching |
| | | | | Screw—Air Horn |
| 7 | 7035166 | 7040137 | 7040137 | Gasket—Air Horn |
| | | KIT ONLY | KIT ONLY | *Gasket—Air Cleaner |
| | CHOKE PARTS | | | |
| 8 | 7020926 | | | Screw—Choke Valve |
| 9 | 7049918 | | | Valve—Choke |
| 9A | 7035207 | NONE | NONE | Link—Vacuum Break |
| 10 | 7037000 | 7041173 | 7041173 | Rod—Choke |
| 11 | 7003561 | | | Screw—Cam Attaching |
| 12 | 7028175 | 7043765 | 7043765 | Choke Shaft and Lever |
| 13 | 7030719 | NONE | NONE | Lever—Choke |
| 14 | 7019709 | | | Screw—Choke Lever |
| | NONE | 7040489 | 7041238 | Choke Lever & Link Assy. |
| 16 | 7030918 | 7040139 | 17050210 | Vacuum Break Control Assembly |
| 17 | 7045905 | 7048549 | 7048773 | Cam—Fast Idle |
| | 7026339 | | | Hose—Vacuum Break |

| | 17054303 | 17054970 | 17054971 | CARBURETOR No. |
|------------|---------------------|----------|----------|--------------------------------|
| Illus. No. | FLOAT BOWL PARTS | | | |
| 18 | 7034032 | | | Hinge Pin—Float |
| 19 | 7035133 | 7035149 | 7035149 | Needle and Seat Assembly |
| 20 | KIT ONLY | | | Gasket—Needle Seat |
| 21 | NONE | 7030668 | 7042849 | Power Valve |
| 22 | 7037597 | 7045943 | 7045943 | Pump Assembly |
| 23 | 7008694 | 7004597 | 7004597 | Spring—Pump Return |
| 24 | 7003838 | | | Guide—Pump Discharge |
| 25 | 7002118 | | | Spring—Pump Discharge |
| 26 | 7002117 | | | Ball—Pump Discharge |
| 27 | 17056474 | | | Lever—Pump Actuating |
| 28 | 7037022 | | | Float Assembly |
| 29 | 7035889 | NONE | NONE | Power Piston Assembly |
| 30 | 7037782 | NONE | NONE | Metering Rod & Spring Assembly |
| 31 | 7012515 | NONE | NONE | Spring—Power Piston |
| 32 | 17054016 | NONE | NONE | Rod—Power Piston Kit |
| 33 | 7034206 | 7034153 | 7034153 | Jet—Main Metering (Standard) |
| 33 | — | | | Jet—Main Metering (Altitude) |
| 34 | 17052340 | 17052329 | 17052329 | Idle Tube Assembly |
| 35 | 7041210 | 7041210 | 7041272 | Screw—Cover |
| 36 | 7035670 | 7035670 | 7041512 | Cover—Idle Compensator |
| 37 | 7046669 | N.S.S. | 7046966 | Float Bowl Assembly |
| 38 | 17060388 | 7035667 | 7035667 | Idle Compensator Assembly |
| — | — | 7040519 | 7040519 | Spring—Solenoid Retaining |
| 40 | 7027970 | 7027970 | 7027970 | Gasket—Idle Compensator |
| 41 | 7031539 | 7031539 | 7031539 | Spring—Fuel Filter |
| 42 | GF-427 | | | Filter—Fuel Inlet |
| 43 | 7032508 | | | Gasket—Filter Nut |
| 44 | 7038946 | | | Filter Nut—Fuel Inlet |
| — | 1114444 | NONE | NONE | Solenoid (C.E.C.) (See Note) |
| — | 7040378 | NONE | NONE | Bracket Assembly—Solenoid |
| — | 7042654 | NONE | NONE | Nut—Solenoid Retaining |
| — | NONE | NONE | NONE | Screw—Bracket Retaining |
| — | 7043661 | NONE | NONE | Screw—Bracket Retaining |
| — | NONE | NONE | NONE | Bracket—Thr. Return |
| — | — | 7040219 | 7040219 | Solenoid—Idle Stop |
| | THROTTLE BODY PARTS | | | |
| 45 | KIT ONLY | | | Gasket—Throttle Body |
| 46 | 7048253 | N.S.S. | N.S.S. | Throttle Body Assembly |
| 47 | 7037855 | 7040900 | 7040900 | Link—Pump Lever |
| 48 | 7010435 | | | Screw—Lever Attaching |
| — | — | — | 17050381 | Screw—Fast Idle |
| — | — | — | 7041519 | Spring—Fast Idle Screw |
| — | — | | | Limiter Cap—Idle Needle |
| 49 | 17054016 | NONE | NONE | Link—Power Piston Rod |
| 50 | 17054016 | 7027005 | 7027005 | Lever—Pump and Power Rod |
| 51 | 7038989 | | | Spring—Idle Needle |
| 52 | 7048531 | 17056660 | 17056660 | Idle Needle |
| 53 | 7038875 | 7038875 | 7038875 | Screw—Throttle Body |
| 54 | 333977 | 3983440 | 3983440 | Gasket—Flange (Non California) |
| — | 333977 | 3983440 | 3983440 | Gasket—Flange (California) |
| — | — | 331124 | 331124 | Insulator—Flange |

NOTE: Available Through Delco-Remy
N.S.S. = Not Serviced Separately