



Delco Carburetor

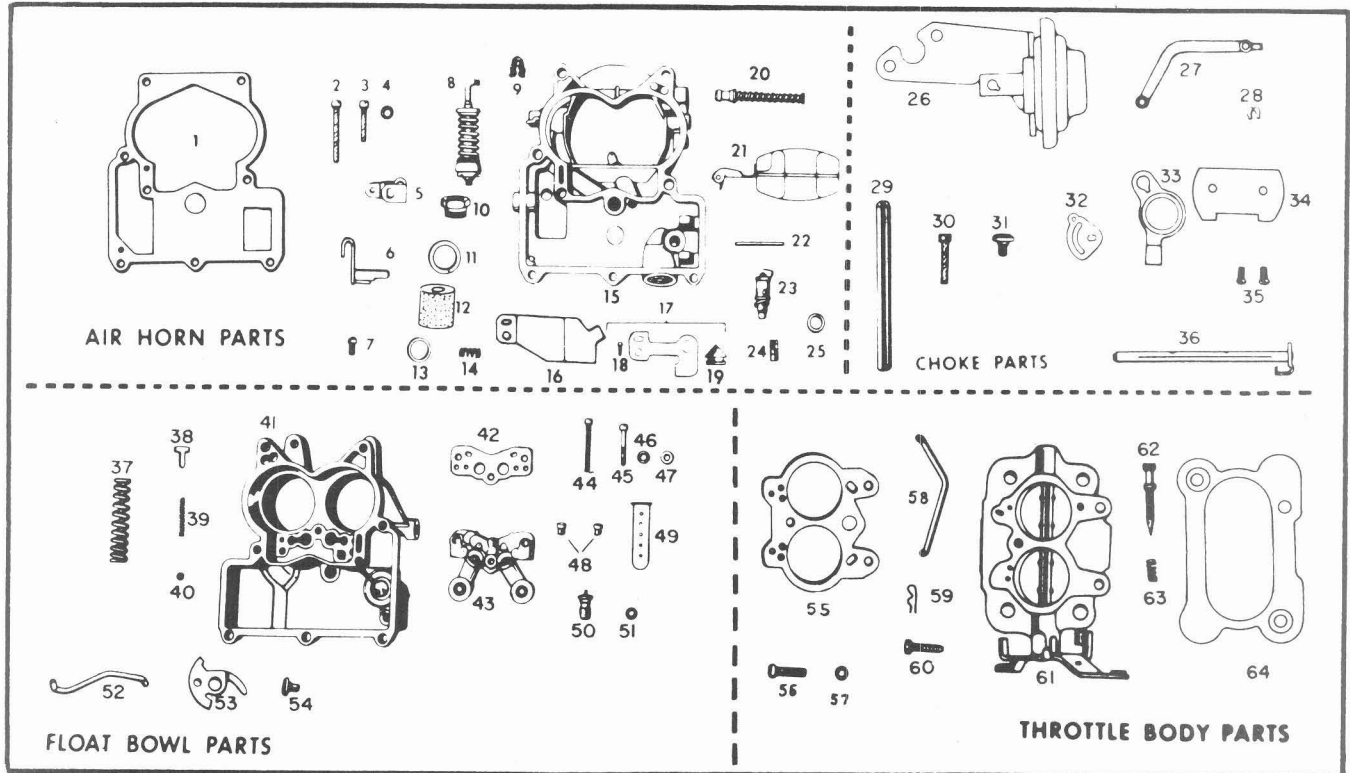
MODEL 2GV CARBURETORS

1974 CHEVROLET STATION WAGON

BULLETIN 9C-3073
DATE: NOVEMBER, 1973
PAGE 1

350/400 CUBIC INCH ENGINE
AUTOMATIC TRANSMISSION

PARTS SHOWN ARE FOR IDENTIFICATION ONLY. CONSULT PARTS LIST FOR CORRECT PART NAME AND NUMBER



PARTS IN ALL COLUMNS SAME – EXCEPT WHERE INDICATED

	400 CU. IN.	350 CU. IN.	APPLICATION
	7043119	7043134	CARBURETOR No.
	22-3056	22-3057	REPLACEMENT PKG. No.
	7046716		OVERHAUL KIT
	9251		POWER CARBURETOR KIT-
	40-415		GASKET SET
Illus. No.	AIR HORN PARTS		
1	7045671		Gasket—Air Horn
2	7010432		Screw—Air Horn (Long)
3	7006119		Screw—Air Horn (Short)
4	120217		Lockwasher—Air Horn Screws
5	7038630		Lever—Pump Inside
6	7038788		Pump Shaft and Lever Assembly
7	7011270		Screw—Pump Lever
—	7019568		Washer—Pump Lever
8	7046028		Pump Assembly
9	—		Elbow—Filter Nut
10	7040955		Nut—Fuel Filter
11	7032508		Gasket—Fuel Filter
12	GF-427		Filter—Fuel Inlet
13	—		Gasket—Fuel Filter
14	7034356		Spring—Fuel Filter
15	7046712		Air Horn Assembly
16	—		Shield—Idle Vent Valve
17	—		Idle Vent Valve Kit
18	—		Screw Vent Valve and Shield
19	—		Idle Vent Valve

	7043119	7043134	CARBURETOR No.
	AIR HORN PARTS (Continued)		
Illus. No.			
20	7009054		Power Piston Assembly
21	7037512		Float Assembly
22	7002081		Pin-Float Hinge
23	30-132		Needle and Seat Assembly
24	-		Strainer-Needle Seat
25	KIT ONLY		Gasket-Needle Seat
	CHOKE PARTS		
26	7040238		Vacuum Break Control & Bracket
27	7040239		Rod-Vacuum Control
28	-		Clip-Control Rod
29	7026339		Hose-Vacuum
30	7037570		Screw-Vacuum Control Attaching
31	7019709		Screw-Stat Rod Lever
32	7040002		Lever-Stat Rod
33	7026239		Choke Lever
34	7033443		Choke Valve
35	7007627		Screw-Choke Valve
36	7047797		Choke Shaft Assembly
	FLOAT BOWL PARTS		
37	7043600		Spring-Pump Return
-	7002120		Ball-Pump Inlet Check
-	7004557		Strainer-Pump Inlet
38	7000286		Guide-Pump Discharge
39	7002118		Spring-Pump Discharge
40	7002117		Ball-Pump Discharge
41	7046911	7046714	Float Bowl Assembly
42	KIT ONLY		Gasket-Venturi Cluster
43	7047820	7047828	Venturi Cluster Assembly
44	7045762		Screw-Venturi Cluster-Outer
45	7009077		Screw-Cluster-Center
46	120217		Lockwasher-Outer Screws
47	KIT ONLY		Gasket-Center Screw
48	7002650		Jet-Standard (See Note)
49	7040320		Insert-Main Well
50	7011989		Power Valve Assembly
51	KIT ONLY		Gasket-Power Valve
52	7036186		Choke Rod
53	7040296		Cam-Fast Idle
54	7003561		Screw-Cam Attaching
-	*1997409		Solenoid-Idle Stop
-	7042818		Bracket Assembly-Solenoid
-	7042654		Nut-Solenoid Retaining
-	7042653		Locking Washer-Solenoid Nut
-	7043682		Screw-Bracket Retaining
	THROTTLE BODY PARTS		
55	KIT ONLY		Gasket-Throttle Body
56	7015105		Screw-Throttle Body
57	121744		Lockwasher-throttle Body Screws
58	7038799		Pump Rod
59	7018186		Clip-Pump Rod
60	7029427		Idle Stop Screw
-	7029428		Spring-Idle Stop Screw
61	7047368		Throttle Body Assembly
62	7044722		Idle Needle
63	7011479		Spring Idle Needle
64	6262906		Insulator-Flange

*Idle Stop Solenoid Available Through Delco-Remy

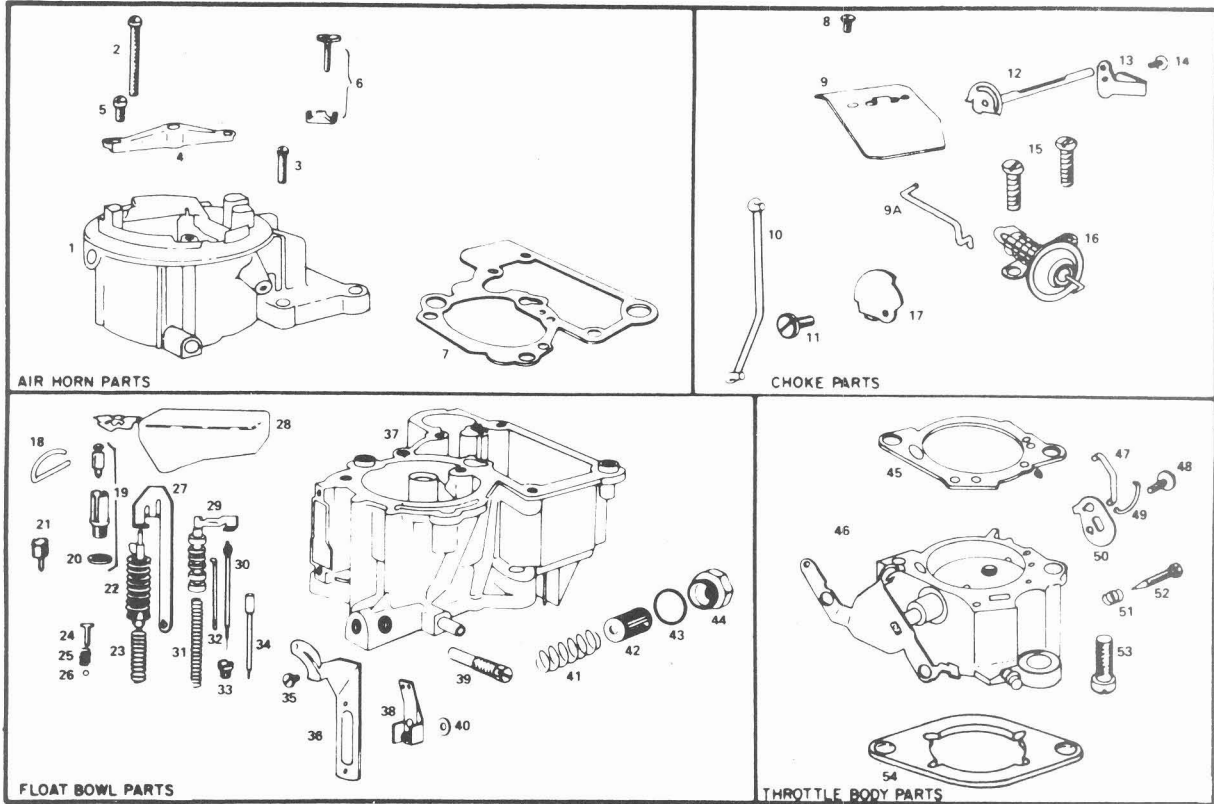


Delco Carburetor

MODEL MV MONOJET
1974 CHEVROLET, CHEVELLE,
CAMARO, NOVA & EL CAMINO "6"
250 CUBIC INCH ENGINE

BULLETIN: 9C-3074
DATE: NOVEMBER 1973
PAGE 1

PARTS SHOWN ARE FOR IDENTIFICATION ONLY. CONSULT PARTS LIST FOR CORRECT PART NAME AND NUMBER



PARTS IN ALL COLUMNS SAME – EXCEPT WHERE INDICATED

	AUTOMATIC TRANS. NON CALIF.	MANUAL TRANS. ALL	AUTOMATIC TRANS CALIFORNIA	APPLICATION
	7044014	7044017	7044314	CARBURETOR No.
	21-3032	21-3031	21-3033	REPLACEMENT PACKAGE No.
	7046950	7046951	7046952	OVERHAUL KIT
	9248			POWER CARBURETOR KIT
	40-412			GASKET SET
Illus. No.	AIR HORN PARTS		AIR HORN PARTS	
1	7049919			Air Horn Assembly
2	7038912			Screw—Air Horn (Long)
3	7030917			Screw—Air Horn (Short)
4	7037774			Bracket—Air Cleaner Stud
5	7038913			Screw—Bracket Attaching
6	—			Idle Vent Valve Kit
7	7035166			Gasket—Air Horn
	CHOKE PARTS		CHOKE PARTS	
8	7020926			Screw—Choke Valve
9	7049918			Choke Valve
9A	7035207			Link—Vacuum Break
10	7037000			Choke Rod
11	7003561			Screw—Cam Attaching
12	7028175			Choke Shaft and Lever
13	7030719			Choke Lever
14	7019709			Screw—Choke Lever
15	7040135			Screw—Vac. Break Bracket
16	7030918			Vacuum Break Control Assembly
17	7048770			Cam—Fast Idle

	7044014	7044017	7044314	CARBURETOR No.
		FLOAT BOWL PARTS		
Illus. No.				
18	7034032			Hinge Pin—Float
19	30-133			Needle and Seat Assembly
20	KIT ONLY			Gasket—Needle Seat
21	—			Power Valve
22	7037597			Pump Assembly
23	7041176			Spring—Pump Return
24	7003838			Guide—Pump Discharge
25	7002118			Spring—Pump Discharge
26	7002117			Ball—Pump Discharge
27	7042670			Lever—Pump Actuating
28	7037022			Float Assembly
29	7037804			Power Piston Assembly
30	7043775	7048987	7048984	Metering Rod & Spring Assembly
31	7034360			Spring—Power Piston
32	7024215			Rod—Power Piston
33	7034206	7034205	7034206	Jet—Main Metering
34	7048983	7046025	7046040	Idle Tube Assembly
35	7034030	—	—	Screw—Cover
36	7035670	—	—	Cover—Idle Compensator
37	7046944	7046945	7046946	Float Bowl Assembly
38	7035870	—	7035870	Idle Compensator Assembly
39	—			Screw—Slow Idle
40	7027970	—	7027970	Gasket—Idle Compensator
41	7031539			Spring—Fuel Filter
42	GF-427			Filter—Fuel Inlet
43	7032508			Gasket—Filter Nut
44	7038946			Filter Nut—Fuel Inlet
—	17050025			Bracket—Throttle Return Spring
—	7041287			Screw—Bracket Retaining (2)
—	17050024			Screw—Bracket (1)
—	7040219			Solenoid—Idle Stop
		THROTTLE BODY PARTS		
45	KIT ONLY			Gasket—Throttle Body
46	17050368	7048266	7048267	Throttle Body Assembly
47	7037855			Link—Pump Lever
48	7010435			Screw—Lever Attaching
49	7024214			Link—Power Piston Rod
50	7024216			Lever—Pump and Power Rods
51	7038989			Spring—Idle Needle
52	7042427			Idle Needle
53	7038875			Screw—Throttle Body
54	333977			Insulator—Flange



Delco Carburetor

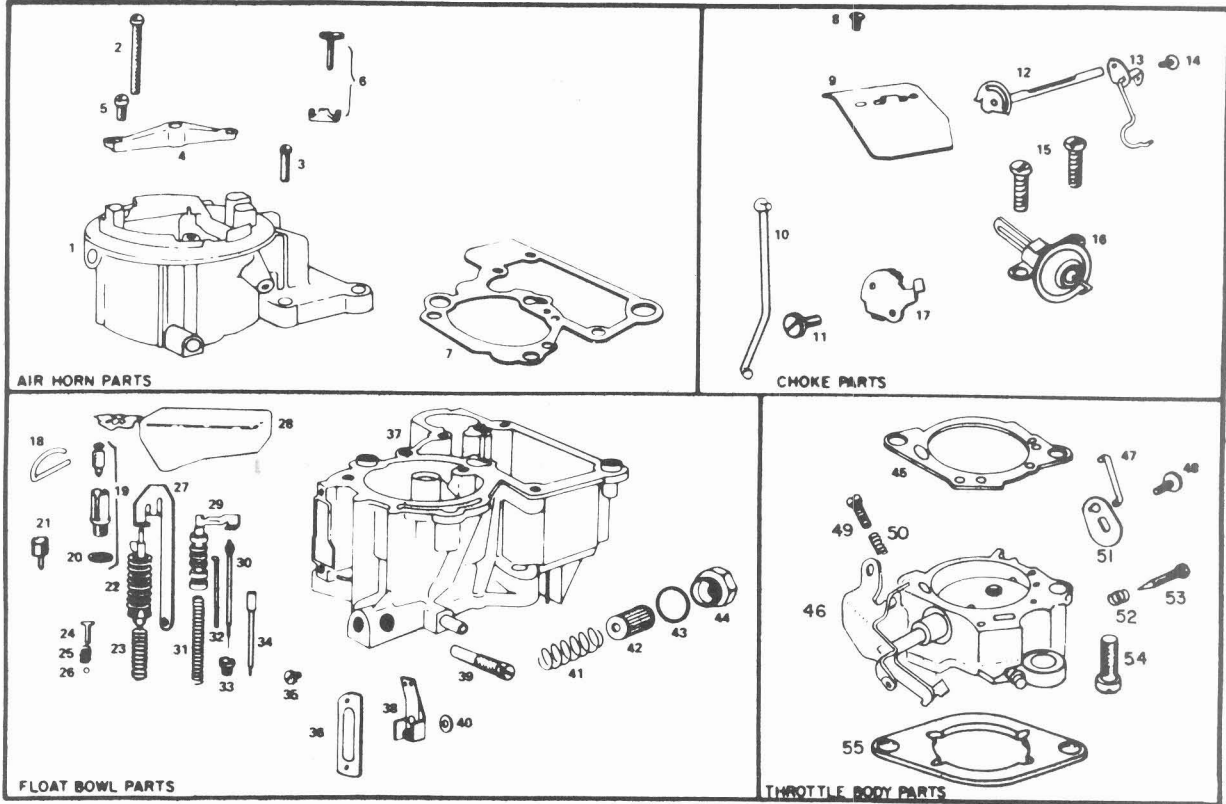
MODEL MV MONOJET

1974 CHEVROLET VEGA

140 CUBIC INCH "4"

BULLETIN 9C-3075
DATE: NOVEMBER, 1973
PAGE 1

PARTS SHOWN ARE FOR IDENTIFICATION ONLY. CONSULT PARTS LIST FOR CORRECT PART NAME AND NUMBER



PARTS IN ALL COLUMNS SAME EXCEPT WHERE INDICATED

NON CALIFORNIA		CALIFORNIA		APPLICATION
AUTOMATIC TRANS.	MANUAL TRANS.	AUTOMATIC TRANS.	MANUAL TRANS.	
7044024	7044023	7044324	7044323	CARBURETOR No. (Non Air Cond.)
7044034	7044033	7044334	7044333	CARBURETOR No. (Air Cond.)
21-3043	21-3035	21-3034	21-3035	REPLACEMENT PACKAGE No.
7046682				OVERHAUL KIT
9249				POWER CARBURETOR KIT
40-413				GASKET SET

Illus. No.	AIR HORN PARTS				
1	7048721				Air Horn Assembly
2	7038912				Screw—Air Horn (Long)
3	7030917				Screw—Air Horn (Short)
4	7043656				Bracket—Air Cleaner Stud
5	7042813				Screw—Bracket Attaching
6	—				Idle Vent Valve Kit
7	7040137				Gasket—Air Horn
	CHOKE PARTS				
8	7020926				Screw—Choke Valve
9	7049918				Choke Valve
10	7041173				Choke Rod
11	7003561				Screw—Cam Attaching
12	7043765				Choke Shaft and Lever
13	7041238				Choke Lever & Link Assembly
14	7019709				Screw—Choke Lever
15	7030917				Screw—Vac. Break Bracket
16	17050210				Vacuum Break Control Assembly
—	7026339				Hose—Vacuum
17	7048773				Cam—Fast Idle

	7044024	7044023	7044324	7044323	CARBURETOR No. (Non Air Cond.)
	7044034	7044033	7044334	7044333	CARBURETOR No. (Air Cond.)
Illus. No.	FLOAT BOWL PARTS				
18	7034032				Hinge Pin—Float
19	30-149				Needle and Seat Assembly
20	KIT ONLY				Gasket—Needle Seat
21	7042849				Power Valve
22	7045943				Pump Assembly
23	7004597				Spring—Pump Return
24	7003838				Guide—Pump Discharge
25	7002118				Spring—Pump Discharge
26	7002117				Ball—Pump Discharge
27	7042670				Lever—Pump Actuating
28	7037022				Float Assembly
29	—				Power Piston Assembly
30	—				Metering Rod & Spring Assembly
31	—				Spring—Power Piston
32	—				Rod—Power Piston
33	7034153				Jet—Main Metering
34	7046023				Idle Tube Assembly
35	7041272				Screw—Cover (Air Cond.)
36	7041512				Cover—Idle Compensator (Air Cond.)
37	17050666	7046966	17050666	7046966	Float Bowl Assembly
38	7035667				Idle Compensator Assembly (Air Cond.)
39	—				Screw—Slow Idle
40	7027970				Gasket—Idle Compensator (Air Cond.)
41	7031539				Spring—Fuel Filter
42	GF-427				Filter—Fuel InJet
43	7032508				Gasket—Filter Nut
44	7038946				Filter Nut—Fuel Inlet
—	7040219				Solenoid—Idle Stop
—	7040519				Spring—Solenoid Locking
	THROTTLE BODY PARTS				
45	KIT ONLY				Gasket—Throttle Body
46	7048968	7048968	17050801	7048968	Throttle Body Assembly
47	7040900				Link—Pump Lever
48	7010435				Screw—Lever Attaching
49	17050381				Screw—Fast Idle
50	7041519				Spring—Fast Idle Screw
51	7027005				Lever Pump Rod
52	7038989				Spring—Idle Needle
53	7043887				Idle Needle
54	7038875				Screw—Throttle Body
55	3983440				Gasket—Flange
—	331124				Insulator—Flange



Delco Carburetor

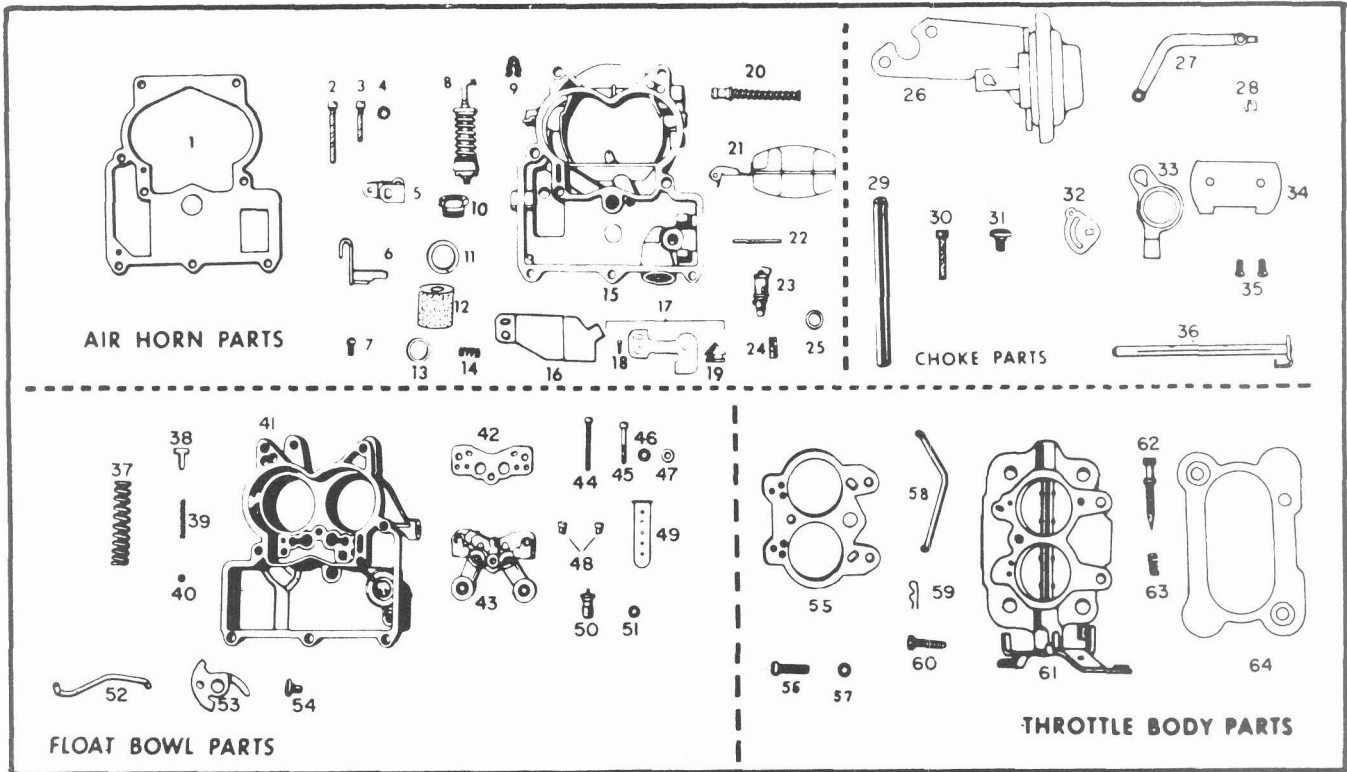
MODEL 2GV CARBURETORS

1974 CHEVROLET, CHEVELLE, MONTE CARLO, CAMARO V-8

350 400 CUBIC INCH ENGINE

BULLETIN 9C-3076
DATE: NOVEMBER, 1973
PAGE 1

PARTS SHOWN ARE FOR IDENTIFICATION ONLY. CONSULT PARTS LIST FOR CORRECT PART NAME AND NUMBER



PARTS IN ALL COLUMNS SAME – EXCEPT WHERE INDICATED

Illus. No.	350 CAMARO		350 ALL OTHER		400 CHEVROLET	APPLICATION
	MAN. TRANS.	AUTO. TRANS.	MAN. TRANS.	AUTO. TRANS.	AUTO. TRANS.	
	7044111	7044112	7044113	7044114	7044118	CARBURETOR No.
	22-3061	22-3062	22-3061	22-3062	22-3060	REPLACEMENT PKG. No.
	17050518					OVERHAUL KIT
	9267					POWER CARBURETOR KIT
	40-425					GASKET SET
	AIR HORN PARTS					
1	7045671					Gasket—Air Horn
2	7010432					Screw—Air Horn (Long)
3	7006119					Screw—Air Horn (Short)
4	120217					Lockwasher—Air Horn Screws
5	NSS					Lever—Pump Inside
6	17050661					Pump Shaft and Lever Kit
7	7011270					Screw—Pump Lever
—	7019568					Washer—Pump Lever
8	7046028					Pump Assembly
9	9428895	9428895	—	—	—	Elbow—Filter Nut
10	7040958	7040958	7040955	7040955	7040955	Nut—Fuel Filter
11	7032508					Gasket—Fuel Filter
12	7013404	7013404	GF-427	GF-427	GF-427	Filter—Fuel Inlet
13	7013584	7013584	—	—	—	Gasket—Fuel Filter
14	7034356					Spring—Fuel Filter
15	17050543	7046712	17050543	7046712	7046712	Air Horn Assembly
16	—					Shield—Idle Vent Valve
17	—					Idle Vent Valve Kit
18	—					Screw Vent Valve and Shield
19	—					Idle Vent Valve

	7044111	7044112	7044113	7044114	7044118	CARBURETOR No.
Illus. No.	AIR HORN PARTS (Continued)					
20	7006323					Power Piston Assembly
21	7037512					Float Assembly
22	7002081					Pin-Float Hinge
23	30-132					Needle and Seat Assembly
24	-					Strainer-Needle Seat
25	KIT ONLY					Gasket-Needle Seat
	CHOKE PARTS					
26	7040233					Vacuum Break Control & Bracket
27	7040239					Rod-Vacuum Control
28	-					Clip-Control Rod
29	7026339					Hose-Vacuum
30	7037570					Screw-Vacuum Control Attaching
31	7019709					Screw-Stat Rod Lever
32	7040002					Lever-Stat Rod
33	7026239					Choke Lever
34	7033443					Choke Valve
35	7007627					Screw-Choke Valve
36	7047797					Choke Shaft Assembly
	FLOAT BOWL PARTS					
37	7041141					Spring-Pump Return
-	7002120					Ball-Pump Inlet Check
-	7004557					Strainer-Pump Inlet
38	7000286					Guide-Pump Discharge
39	7002118					Spring-Pump Discharge
40	7002117					Ball-Pump Discharge
41	17050636	17050637	17050636	17050637	17050638	Float Bowl Assembly
42	KIT ONLY					Gasket-Venturi Cluster
43	17050045	7047828	17050045	7047828	7047820	Venturi Cluster Assembly
44	7045762					Screw-Venturi Cluster-Outer
45	7009077					Screw-Cluster-Center
46	120217					Lockwasher-Outer Screws
47	KIT ONLY					Gasket-Center Screw
48	7002651	7002650	7002651	7002650	7002650	Jet-Standard (See Note)
49	7040320					Insert-Main Well
50	7011989					Power Valve Assembly
51	KIT ONLY					Gasket-Power Valve
52	7036186					Choke Rod
53	7040296	17050019	7040296	17050019	17050019	Cam-Fast Idle
54	7036222					Screw-Cam Attaching
-	*1997409					Solenoid-Idle Stop
-	7042818					Bracket Assembly-Solenoid
-	7042654					Nut-Solenoid Retaining
-	7042653					Locking Washer-Solenoid Nut
-	7043682					Screw-Bracket Retaining
	THROTTLE BODY PARTS					
55	KIT ONLY					Gasket-Throttle Body
56	7015105					Screw-Throttle Body
57	121744					Lockwasher-Throttle Body Screws
58	7041249					Pump Rod
59	7018186					Clip-Pump Rod
60	7029427					Idle Stop Screw
-	7037131					Spring-Idle Stop Screw
61	17050535	17050536	17050535	17050536	17050812	Throttle Body Assembly
62	7044722					Idle Needle
63	7011479					Spring-Idle Needle
64	6271058					Insulator-Flange

*Idle Stop Solenoid Available Through Delco-Remy



Delco Carburetor

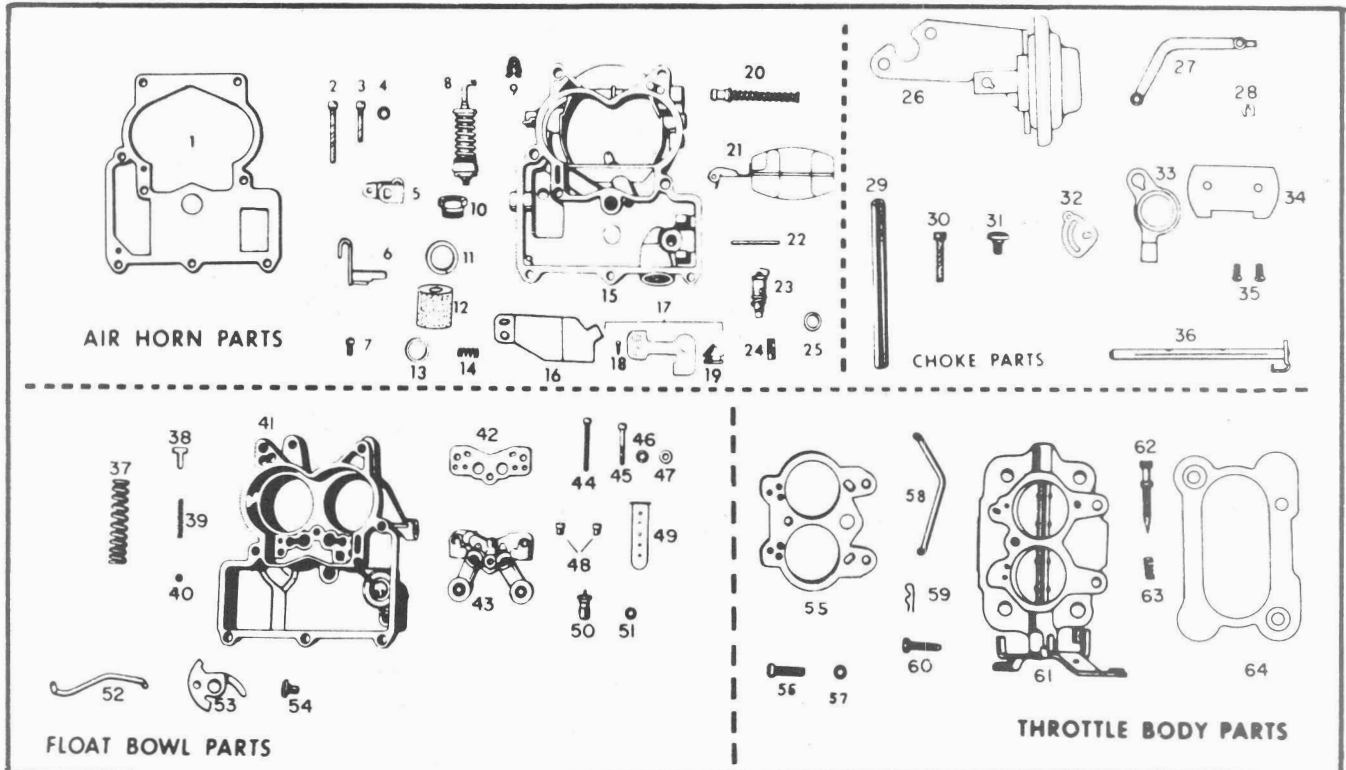
MODEL 2GV CARBURETORS

1974 CHEVROLET NOVA

350 CUBIC INCH ENGINE

BULLETIN 9C-3077
 DATE: NOVEMBER, 1973
 PAGE 1

PARTS SHOWN ARE FOR IDENTIFICATION ONLY. CONSULT PARTS LIST FOR CORRECT PART NAME AND NUMBER



PARTS IN ALL COLUMNS SAME - EXCEPT WHERE INDICATED

Illus. No.	MAN. TRANS.	AUTO. TRANS.	APPLICATION
	7044115	7044116	CARBURETOR No.
	22-3061	22-3062	REPLACEMENT PKG. No.
	17050518		OVERHAUL KIT
	9267		POWER CARBURETOR KIT
40-425		GASKET SET	
AIR HORN PARTS			
1	7045671		Gasket—Air Horn
2	7010432		Screw—Air Horn (Long)
3	7006119		Screw—Air Horn (Short)
4	120217		Lockwasher—Air Horn Screws
5	NSS		Lever—Pump Inside
6	17050661		Pump Shaft and Lever Kit
7	7011270		Screw—Pump Lever
—	7019568		Washer—Pump Lever
8	7046028		Pump Assembly
9	—		Elbow—Filter Nut
10	7040955		Nut—Fuel Filter
11	7032508		Gasket—Fuel Filter
12	GF-427		Filter—Fuel Inlet
13	—		Gasket—Fuel Filter
14	7034356		Spring—Fuel Filter
15	17050543	7046712	Air Horn Assembly
16	—		Shield—Idle Vent Valve
17	—		Idle Vent Valve Kit
18	—		Screw Vent Valve and Shield
19	—		Idle Vent Valve

CO, WD, 131, 132:16, 9X, 9FR, 9FD
 NSS— NOT SERVICED SEPARATELY

PRINTED IN U.S.A.
 © 1973, GENERAL MOTORS CORP.

	7044115	7044116	CARBURETOR No.
	AIR HORN PARTS (Continued)		
Illus. No.			
20	7006323		Power Piston Assembly
21	7037512		Float Assembly
22	7002081		Pin-Float Hinge
23	30-132		Needle and Seat Assembly
24	-		Strainer-Needle Seat
25	KIT ONLY		Gasket-Needle Seat
	CHOKE PARTS		
26	7040238		Vacuum Break Control & Bracket
27	7040239		Roc-Vacuum Control
28	-		Clip-Control Rod
29	7026339		Hose-Vacuum
30	7037570		Screw-Vacuum Control Attaching
31	7019709		Screw-Stat Rod Lever
32	7040002		Lever-Stat Rod
33	7026239		Choke Lever
34	7033443		Choke Valve
35	7007627		Screw-Choke Valve
36	7047797		Choke Shaft Assembly
	FLOAT BOWL PARTS		
37	7041141		Spring-Pump Return
-	7002120		Ball-Pump Inlet Check
-	7004557		Strainer-Pump Inlet
38	7000286		Guide-Pump Discharge
39	7002118		Spring-Pump Discharge
40	7002117		Ball-Pump Discharge
41	17050636	17050637	Float Bowl Assembly
42	KIT ONLY		Gasket-Venturi Cluster
43	17050045	7047828	Venturi Cluster Assembly
44	7045762		Screw-Venturi Cluster-Outer
45	7009077		Screw-Cluster-Center
46	120217		Lockwasher-Outer Screws
47	KIT ONLY		Gasket-Center Screw
48	7002651	7002650	Jet-Standard (See Note)
49	7040320		Insert-Main Well
50	7011989		Power Valve Assembly
51	KIT ONLY		Gasket-Power Valve
52	7036186		Choke Rod
53	7040296		Cam-Fast Idle
54	7036222		Screw-Cam Attaching
-	*1997409		Solenoid-Idle Stop
-	7042818		Bracket Assembly-Solenoid
-	7042654		Nut-Solenoid Retaining
-	7042653		Locking Washer-Solenoid Nut
-	7043682		Screw-Bracket Retaining
	THROTTLE BODY PARTS		
55	KIT ONLY		Gasket-Throttle Body
56	7015105		Screw-Throttle Body
57	121744		Lockwasher-Throttle Body Screws
58	7041249		Pump Rod
59	7018186		Clip-Pump Rod
60	7029427		Idle Stop Screw
-	7037131		Spring-Idle Stop Screw
61	17050535	17050536	Throttle Body Assembly
62	7044722		Idle Needle
63	7011479		Spring Idle Needle
64	6271058		Insulator-Flange

*Idle Stop Solenoid Available Through Delco-Remy



Delco Carburetor

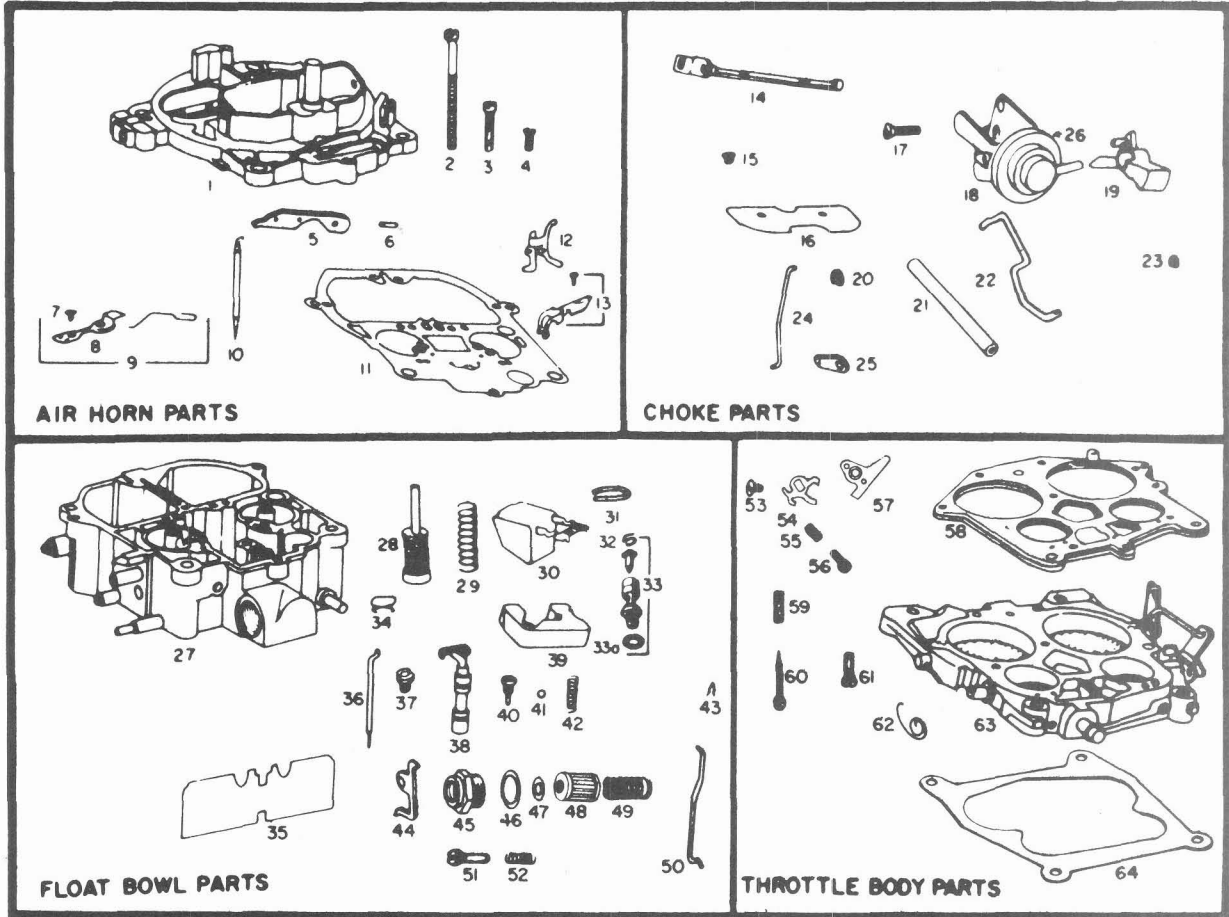
MODEL 4MV QUADRAJET

1974 CHEVROLET, CHEVELLE, CAMARO, MONTE CARLO

BULLETIN: 9C-3078
DATE: NOVEMBER, 1973
PAGE 1

350 CUBIC INCH ENGINE

PARTS SHOWN ARE FOR IDENTIFICATION ONLY. CONSULT PARTS LIST FOR CORRECT PART NAME AND NUMBER



PARTS IN ALL COLUMNS SAME - EXCEPT WHERE INDICATED

	NON CALIF.		CALIFORNIA		APPLICATION
	AUTO. TRANS.	MAN. TRANS.	AUTO. TRANS.	MAN. TRANS.	
	7044202	7044203	7044502	7044503	CARBURETOR No.
	24-3046	24-3047	24-3048	24-3049	REPLACEMENT PACKAGE No.
	17050544				OVERHAUL KIT
	9268				POWER CARBURETOR KIT
	40-426				GASKET SET
Illus. No.	AIR HORN PARTS				
1	7048938				Air Horn Assembly
2	7029912				Screw—Air Horn
3	7014699				Screw—Air Horn
4	7031105				Screw—Air Horn
5	7048169				Lever—Pump Actuating
6	9428787				Roll Pin—Pump and Lockout Levers
7	—				Screw—Idle Vent Valve
8	—				Valve—Idle Vent
9	—				Idle Vent Valve Kit
10	7045779				Metering Rod—Secondary
11	7038841				Gasket—Air Horn
12	—				Lockout Lever—Air Valve
13	7034522				Secondary Metering Rod Holder Kit
—	7035344				Air Valve Spring and Cam Kit

	7044202	7044203	7044502	7044503	CARBURETOR No.
	CHOKE PARTS				
Illus. No.					
14	7038855				Choke Shaft and Lever Assembly
15	7029866				Screw—Choke Valve
16	7036021				Choke Valve
17	7031925				Screw—Vacuum Break Control
18	7048899				Vacuum Break Control and Bracket Assembly
19	7047876				Cam—Fast Idle
20	7005109				Clip—Choke Rod
21	7026339				Hose—Vacuum
22	7024257				Rod—Vacuum Break
—	7024256				Intermediate Choke Rod
23	7005109				Clip—Intermediate Choke Rod
24	7037557				Rod—Choke
25	7031231				Lever—Intermediate Choke
26	7048206				Vacuum Break Control Assembly
	FLOAT BOWL PARTS				
27	17050520	17050541	17050565	17050542	Float Bowl Assembly
28	7047080				Pump Assembly
29	7041169				Spring—Pump Return
30	7037316				Float Assembly
31	7037317				Hinge Pin—Float
32	7033751				Pull Clip—Float Needle
33	30-140				Needle and Seat Assembly
33A	KIT ONLY				Gasket—Needle Seat
34	7029862				Spring—Metering Rod—Primary
35	7031365				Baffle Plate—Float Bowl
36	7034846				Metering Rod—Primary
37	7031975				Metering Jet—Primary
38	7034903				Power Piston Assembly
39	7037319				Insert—Float Bowl
40	7029849				Retainer—Pump Discharge Ball
41	7002117				Ball—Pump Discharge
42	7029529	7029529	7037851	7037851	Spring—Power Piston
43	—				Clip—Pump Rod
44	7027270				Lockout Lever—Secondary
45	7045605				Filter Nut—Fuel Inlet
46	7024281				Gasket—Inlet Nut
47	—				Gasket—Filter
48	GF-427				Filter—Fuel Inlet
49	7030588				Spring—Inlet Filter
50	7026138				Rod—Pump
51	7002121				Screw—Idle Stop
52	7003176				Spring—Idle Stop Screw
—	*1997409				Solenoid—Idle Stop
—	7042682				Bracket—Solenoid
—	7042653				Locking Washer—Retaining Nut
—	7042654				Nut—Solenoid Retaining
—	7043682				Screw—Bracket
	THROTTLE BODY PARTS				
53	7035523				Screw—Cam and Fast Idle Levers Ataching
54	7030677				Lever—Fast Idle
55	7029900				Spring—Fast Idle Screw
56	7029899				Screw—Fast Idle Adjusting
57	7043634				Lever—Cam Follower
58	KIT ONLY				Gasket—Throttle Body
59	7011479				Spring—Idle Needle
60	7042457				Idle Needle
61	7035790				Screw—Throttle Body
62	7035772				Spring—Cam Follower Lever
63	17050570	17050571	17050572	17050573	Throttle Body Assembly
64	342705				Insulator—Flange

* Idle Stop Solenoid Available Through Delco-Remy



Delco Carburetor

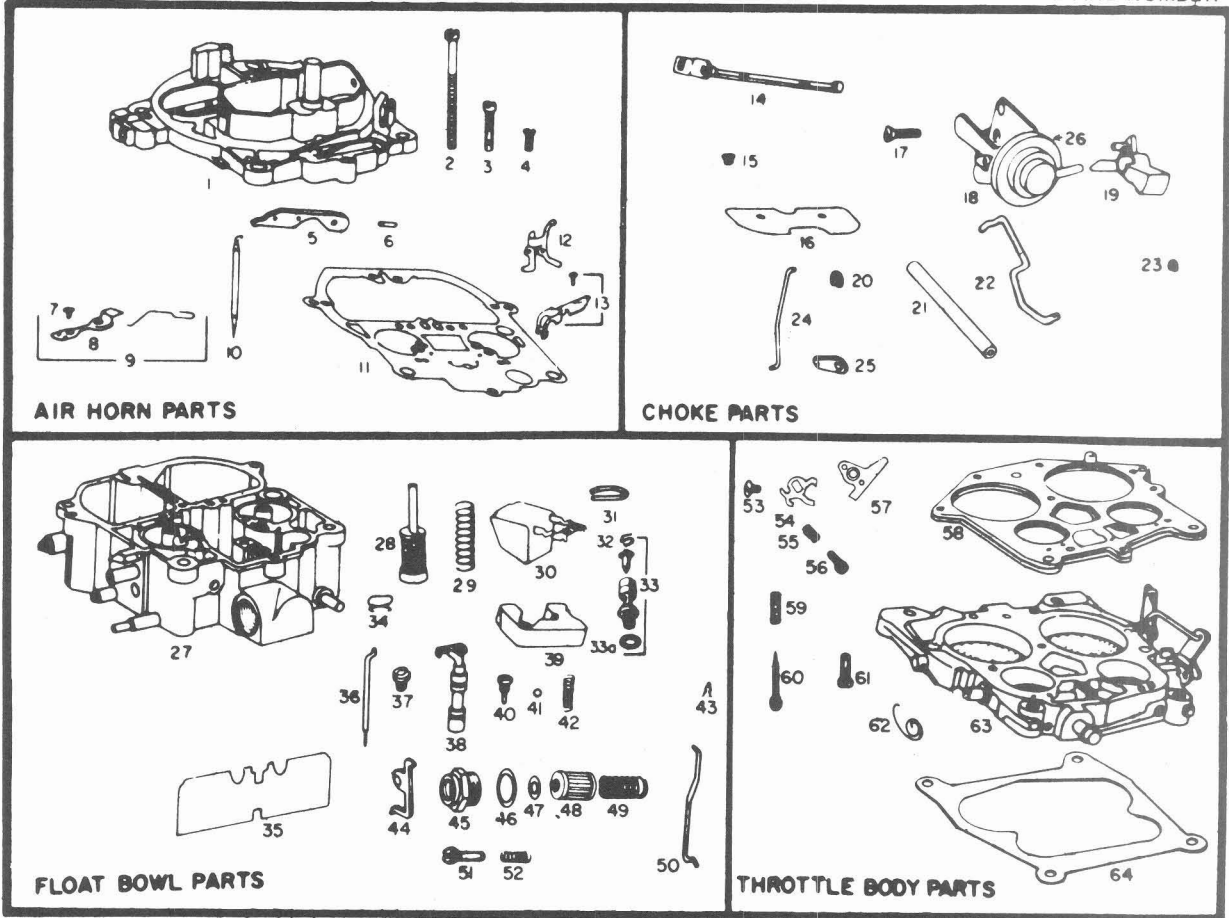
MODEL 4MV QUADRAJET

BULLETIN: 9C-3079
DATE: NOVEMBER, 1973
PAGE 1

1974 CORVETTE & NOVA

350 CUBIC INCH ENGINE

PARTS SHOWN ARE FOR IDENTIFICATION ONLY. CONSULT PARTS LIST FOR CORRECT PART NAME AND NUMBER



PARTS IN ALL COLUMNS SAME - EXCEPT WHERE INDICATED

Illus. No.	NON CALIF.		CALIFORNIA		APPLICATION
	AUTO. TRANS.	MAN. TRANS.	AUTO. TRANS.	MAN. TRANS.	
	7044206	7044207	7044506	7044507	CARBURETOR No.
	24-3046	24-3047	24-3048	24-3049	REPLACEMENT PACKAGE No.
	17050544				OVERHAUL KIT
	9268				POWER CARBURETOR KIT
	40-426				GASKET SET
	AIR HORN PARTS				
1	7048938				Air Horn Assembly
2	7029912				Screw—Air Horn
3	7014699				Screw—Air Horn
4	7031105				Screw—Air Horn
5	7048169				Lever—Pump Actuating
6	9428787				Roll Pin—Pump and Lockout Levers
7	—				Screw—Idle Vent Valve
8	—				Valve—Idle Vent
9	—				Idle Vent Valve Kit
10	7045779				Metering Rod—Secondary
11	7038841				Gasket—Air Horn
12	—				Lockout Lever—Air Valve
13	7034522				Secondary Metering Rod Holder Kit
—	7035344				Air Valve Spring and Cam Kit

	7044206	7044207	7044506	7044507	CARBURETOR No.
		CHOKE PARTS			
14	7038855				Choke Shaft and Lever Assembly
15	7029866				Screw—Choke Valve
16	7036021				Choke Valve
17	7031925				Screw—Vacuum Break Control
18	7048899				Vacuum Break Control and Bracket Assembly
19	7047876				Cam—Fast Idle
20	7005109				Clip—Choke Rod
21	7026339				Hose—Vacuum
22	7024257				Rod—Vacuum Break
—	7024256				Intermediate Choke Rod
23	7005109				Clip—Intermediate Choke Rod
24	7037557				Rod—Choke
25	7031231				Lever—Intermediate Choke
26	7048206				Vacuum Break Control Assembly
		FLOAT BOWL PARTS			
27	17050520	17050541	17050565	17050542	Float Bowl Assembly
28	7047080				Pump Assembly
29	7041169				Spring—Pump Return
30	7037316				Float Assembly
31	7037317				Hinge Pin—Float
32	7033751				Pull Clip—Float Needle
33	30-140				Needle and Seat Assembly
33A	KIT ONLY				Gasket—Needle Seat
34	7029862				Spring—Metering Rod—Primary
35	7031365				Baffle Plate—Float Bowl
36	7034846				Metering Rod—Primary
37	7031975				Metering Jet—Primary
38	7034903				Power Piston Assembly
39	7037319				Insert—Float Bowl
40	7029849				Retainer—Pump Discharge Ball
41	7002117				Ball—Pump Discharge
42	7029529	7029529	7037851	7037851	Spring—Power Piston
43	—				Clip—Pump Rod
44	7027270				Lockout Lever—Secondary
45	7045605				Filter Nut—Fuel Inlet
46	7024281				Gasket—Inlet Nut
47	—				Gasket—Filter
48	GF-427				Filter—Fuel Inlet
49	7030588				Spring—Inlet Filter
50	7026138				Rod—Pump
51	7002121				Screw—Idle Stop
52	7003176				Spring—Idle Stop Screw
—	* 1997409				Solenoid—Idle Stop
—	7042682				Bracket—Solenoid
—	7042653				Locking Washer—Retaining Nut
—	7042654				Nut—Solenoid Retaining
—	7043682				Screw—Bracket
		THROTTLE BODY PARTS			
53	7035523				Screw—Cam and Fast Idle Levers Attaching
54	7030677				Lever—Fast Idle
55	7029900				Spring—Fast Idle Screw
56	7029899				Screw—Fast Idle Adjusting
57	7043634				Lever—Cam Follower
58	KIT ONLY				Gasket—Throttle Body
59	7011479				Spring—Idle Needle
60	7042457				Idle Needle
61	7035790				Screw—Throttle Body
62	7035772				Spring—Cam Follower Lever
63	17050570	17050571	17050572	17050573	Throttle Body Assembly
64	342705				Insulator—Flange

* Idle Stop Solenoid Available Through Delco-Remy



Delco Carburetor

MODEL 4MV QUADRAJET

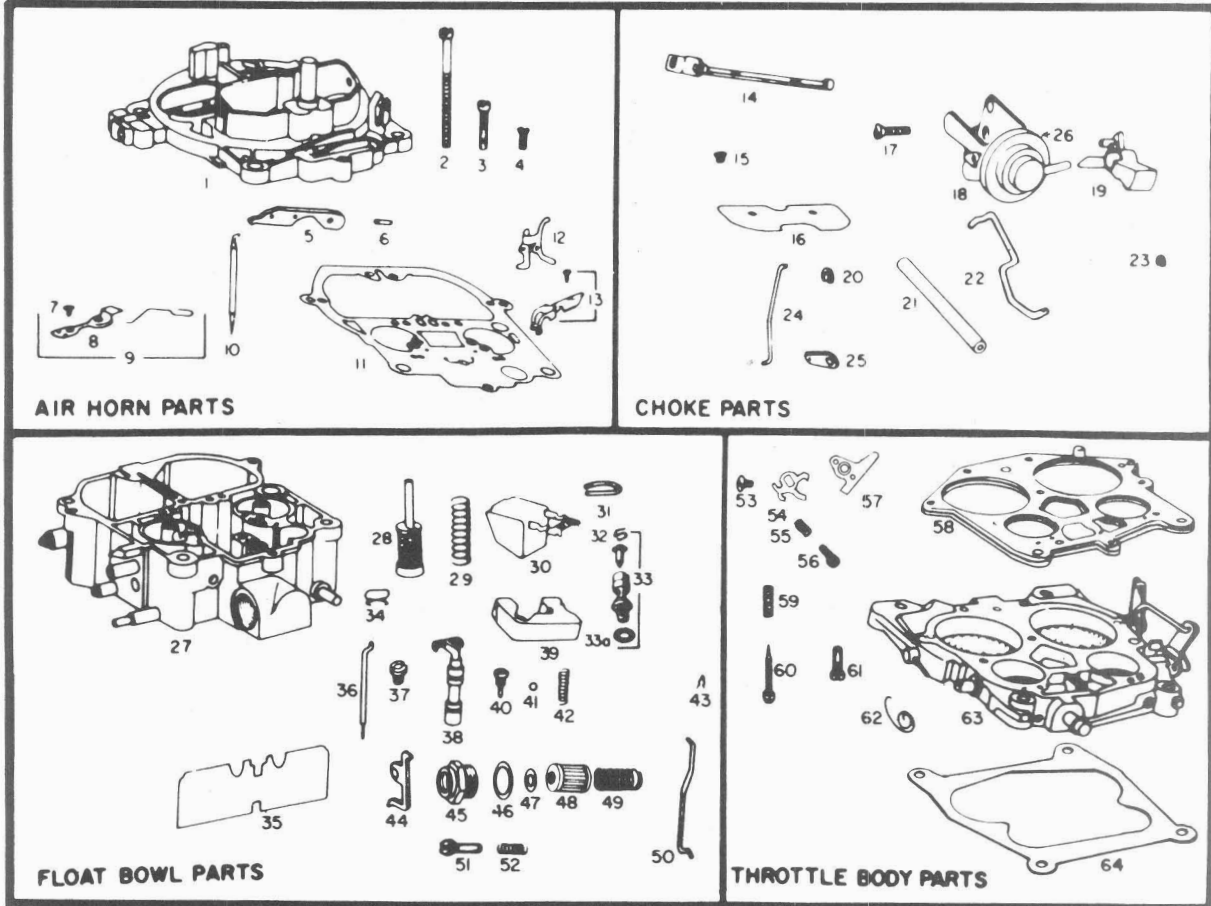
BULLETIN: 9C-3080
DATE: NOVEMBER, 1973
PAGE 1

1974 CAMARO & CORVETTE

350 CUBIC INCH ENGINE

HIGH PERFORMANCE

PARTS SHOWN ARE FOR IDENTIFICATION ONLY. CONSULT PARTS LIST FOR CORRECT PART NAME AND NUMBER



PARTS IN ALL COLUMNS SAME – EXCEPT WHERE INDICATED

Illus. No.	CAMARO		CORVETTE		APPLICATION
	AUTO. TRANS.	MAN. TRANS.	AUTO. TRANS.	MAN. TRANS.	
	7044208	7044209	7044210	7044211	CARBURETOR No.
	24-3050	24-3051	24-3050	24-3051	REPLACEMENT PACKAGE No.
	17050545				OVERHAUL KIT
	9268				POWER CARBURETOR KIT
	40-426				GASKET SET
	AIR HORN PARTS				
1	7044884				Air Horn Assembly
2	7029912				Screw—Air Horn
3	7014699				Screw—Air Horn
4	7031105				Screw—Air Horn
5	7048169				Lever—Pump Actuating
6	9428787				Roll Pin—Pump and Lockout Levers
7	—				Screw—Idle Vent Valve
8	—				Valve—Idle Vent
9	—				Idle Vent Valve Kit
10	7046010				Metering Rod—Secondary
11	7038841				Gasket—Air Horn
12	—				Lockout Lever—Air Valve
13	7034522				Secondary Metering Rod Holder Kit
—	7035344				Air Valve Spring and Cam Kit

	7044208	7044209	7044210	7044211	CARBURETOR No.
					CHOKE PARTS
Illus. No.					
14	7038855				Choke Shaft and Lever Assembly
15	7029866				Screw—Choke Valve
16	7036021				Choke Valve
17	7031925				Screw—Vacuum Break Control
18	7048929				Vacuum Break Control and Bracket Assembly
19	7047876				Cam—Fast Idle
20	7005109				Clip—Choke Rod
21	7026339				Hose—Vacuum
22	7024257				Rod—Vacuum Break
—	7024256				Intermediate Choke Rod
23	7005109				Clip—Intermediate Choke Rod
24	7037557				Rod—Choke
25	7031231				Lever—Intermediate Choke
26	7048211				Vacuum Break Control Assembly
					FLOAT BOWL PARTS
27	17050582	17050583	17050582	17050583	Float Bowl Assembly
28	7047080				Pump Assembly
29	7041169				Spring—Pump Return
30	7037316				Float Assembly
31	7037317				Hinge Pin—Float
32	7033751				Pull Clip—Float Needle
33	30-140				Needle and Seat Assembly
33A	KIT ONLY				Gasket—Needle Seat
34	7029862				Spring—Metering Rod—Primary
35	7031365				Baffle Plate—Float Bowl
36	7034843				Metering Rod—Primary
37	7031975				Metering Jet—Primary
38	7034903				Power Piston Assembly
39	7037319				Insert—Float Bowl
40	7029849				Retainer—Pump Discharge Ball
41	7002117				Ball—Pump Discharge
42	7030619				Spring—Power Piston
43	—				Clip—Pump Rod
44	7027270				Lockout Lever—Secondary
45	7045605				Filter Nut—Fuel Inlet
46	7024281				Gasket—Inlet Nut
47	—				Gasket—Filter
48	GF-427				Filter—Fuel Inlet
49	7030588				Spring—Inlet Filter
50	7026138				Rod—Pump
51	7002121				Screw—Idle Stop
52	7003176				Spring—Idle Stop Screw
—	* 1997409				Solenoid—Idle Stop
—	7042682				Bracket—Solenoid
—	7042653				Locking Washer—Retaining Nut
—	7042654				Nut—Solenoid Retaining
—	7043682				Screw—Bracket
					THROTTLE BODY PARTS
53	7035523				Screw—Cam and Fast Idle Levers Attaching
54	7030677				Lever—Fast Idle
55	7029900				Spring—Fast Idle Screw
56	7029899				Screw—Fast Idle Adjusting
57	7043634				Lever—Cam Follower
58	KIT ONLY				Gasket—Throttle Body
59	7011479				Spring—Idle Needle
60	7042457				Idle Needle
61	7035790				Screw—Throttle Body
62	7035772				Spring—Cam Follower Lever
63	17050586	17050587	17050586	17050587	Throttle Body Assembly
64	342705				Insulator—Flange

* Idle Stop Solenoid Available Through Delco-Remy

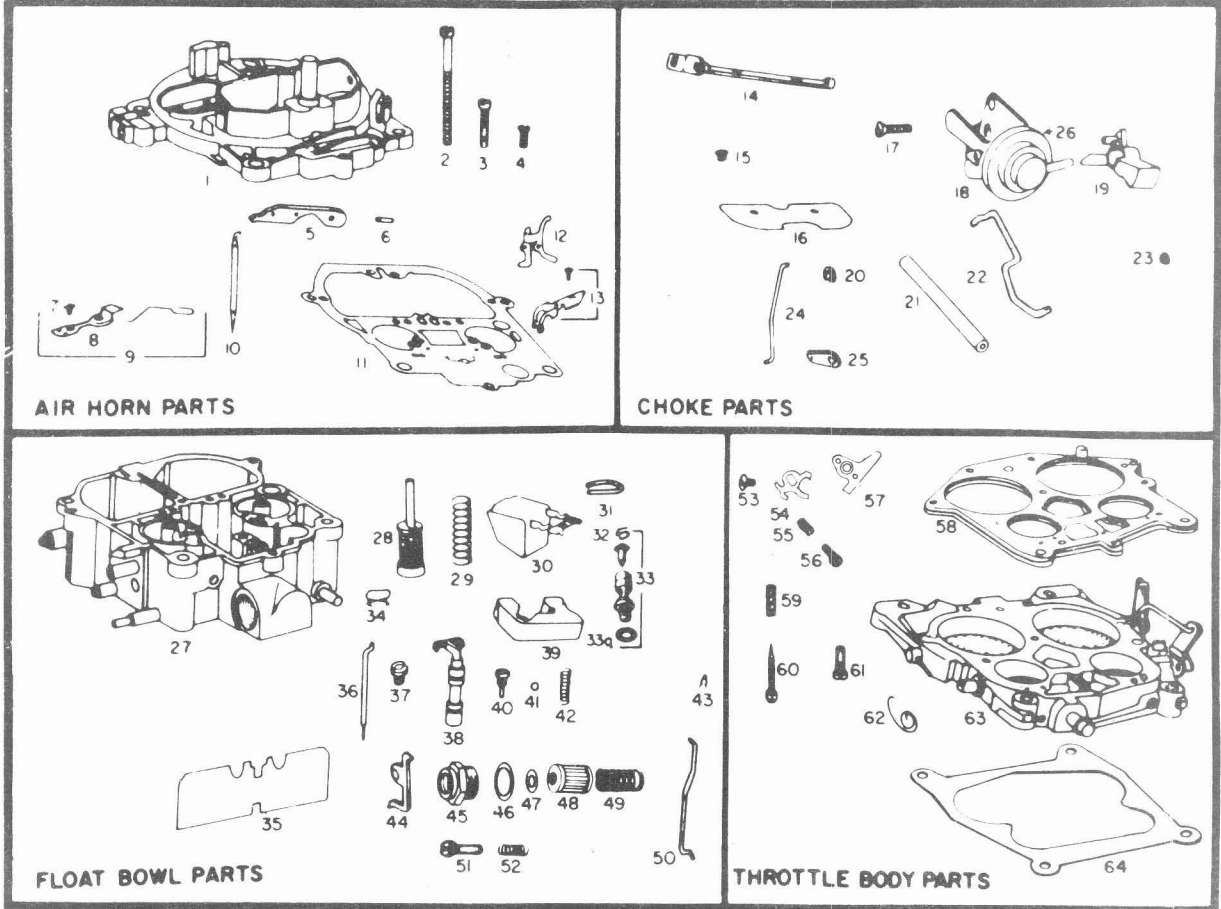


Delco Carburetor

MODEL 4MV QUADRAJET
1974 CHEVROLET, CHEVELLE,
MONTE CARLO, EL CAMINO & SPRINT
400 CUBIC INCH ENGINE
AUTOMATIC TRANSMISSION

BULLETIN: 9C-3081
DATE: NOVEMBER, 1973
PAGE 1

PARTS SHOWN ARE FOR IDENTIFICATION ONLY. CONSULT PARTS LIST FOR CORRECT PART NAME AND NUMBER



PARTS IN ALL COLUMNS SAME – EXCEPT WHERE INDICATED

	CHEV. WAGON NON CALIF.	ALL OTHER CALIFORNIA	APPLICATION
	7044226	7044526	CARBURETOR No.
	24-3040	24-3041	REPLACEMENT PACKAGE No.
	17050524	17050655	OVERHAUL KIT
	9268		POWER CARBURETOR KIT
	40-426		GASKET SET
Illus. No.	AIR HORN PARTS		
1	7048988		Air Horn Assembly
2	7029912		Screw—Air Horn
3	7014699		Screw—Air Horn
4	7031105		Screw—Air Horn
5	7048169		Lever—Pump Actuating
6	9428787		Roll Pin—Pump and Lockout Levers
7	—		Screw—Idle Vent Valve
8	—		Valve—Idle Vent
9	—		Idle Vent Valve Kit
10	7048892		Metering Rod—Secondary
11	7038841		Gasket—Air Horn
12	—		Lockout Lever—Air Valve
13	7034522		Secondary Metering Rod Holder Kit
—	7035344		Air Valve Spring and Cam Kit

	7044226	7044526	CARBURETOR No.
	CHOKE PARTS		
Illus. No.			
14	7038855		Choke Shaft and Lever Assembly
15	7029866		Screw—Choke Valve
16	7036021		Choke Valve
17	7031925		Screw—Vacuum Break Control
18	7048899		Vacuum Break Control and Bracket Asse
19	7047876		Cam—Fast Idle
20	7005109		Clip—Choke Rod
21	7026339		Hose—Vacuum
22	7024257		Rod—Vacuum Break
—	7024256		Intermediate Choke Rod
23	7005109		Clip—Intermediate Choke Rod
24	7037557		Rod—Choke
25	7031231		Lever—Intermediate Choke
26	7048206		Vacuum Break Control Assembly
	FLOAT BOWL PARTS		
27	17050520	17050521	Float Bowl Assembly
28	7047080		Pump Assembly
29	7041169		Spring—Pump Return
30	7037316		Float Assembly
31	7037317		Hinge Pin—Float
32	7033751		Pull Clip—Float Needle
33	30-140		Needle and Seat Assembly
33A	KIT ONLY		Gasket—Needle Seat
34	7029862		Spring—Metering Rod—Primary
35	7031365		Baffle Plate—Float Bowl
36	7034844	7034842	Metering Rod—Primary
37	7031973		Metering Jet—Primary
38	7034903		Power Piston Assembly
39	7037319		Insert—Float Bowl
40	7029849		Retainer—Pump Discharge Ball
41	7002117		Ball—Pump Discharge
42	7029529	7037851	Spring—Power Piston
43	—		Clip—Pump Rod
44	7027270		Lockout Lever—Secondary
45	7045605		Filter Nut—Fuel Inlet
46	7024281		Gasket—Inlet Nut
47	—		Gasket—Filter
48	GF-427		Filter—Fuel Inlet
49	7030588		Spring—Inlet Filter
50	7026138		Rod—Pump
51	7002121		Screw—Idle Stop
52	7003176		Spring—Idle Stop Screw
—	* 1997409		Solenoid—Idle Stop
—	7042682		Bracket—Solenoid
—	7042653		Locking Washer—Retaining Nut
—	7042654		Nut—Solenoid Retaining
—	7043682		Screw—Bracket
	THROTTLE BODY PARTS		
53	7035523		Screw—Cam and Fast Idle Levers Attaching
54	7030677		Lever—Fast Idle
55	7029900		Spring—Fast Idle Screw
56	7029899		Screw—Fast Idle Adjusting
57	7043634		Lever—Cam Follower
58	KIT ONLY		Gasket—Throttle Body
59	7011479		Spring—Idle Needle
60	7042457		Idle Needle
61	7035790		Screw—Throttle Body
62	7035772		Spring—Cam Follower Lever
63	17050522	17050523	Throttle Body Assembly
64	342705		Insulator—Flange

* Idle Stop Solenoid Available Through Delco-Remy



Delco Carburetor

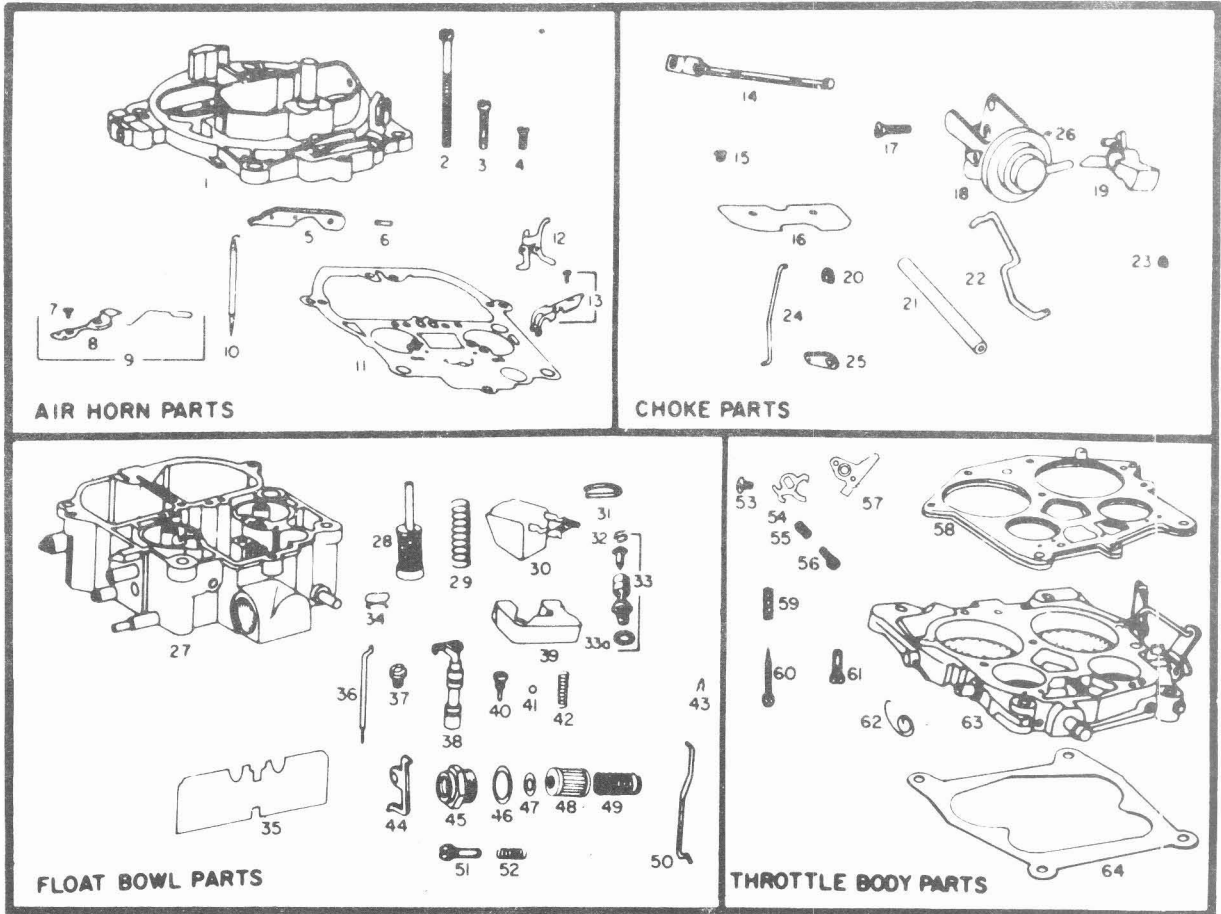
MODEL 4MV QUADRAJET

1974 CHEVROLET, CHEVELLE, MONTE CARLO & CORVETTE

454 CUBIC INCH ENGINE

BULLETIN: 9C-3082
DATE: NOVEMBER, 1973
PAGE 1

PARTS SHOWN ARE FOR IDENTIFICATION ONLY. CONSULT PARTS LIST FOR CORRECT PART NAME AND NUMBER



PARTS IN ALL COLUMNS SAME - EXCEPT WHERE INDICATED

ILLUS. NO.	NON CALIF. AUTO. TRANS.	CALIF. AUTO. TRANS.	CHEVELLE ALL MAN. TRANS.	CORVETTE			APPLICATION
				NON.CALIF. AUTO. TRANS.	CALIF. AUTO. TRANS.	ALL MAN. TRANS.	
	7044223	7044500	7044201	7044225	7044505	7044221	CARBURETOR No.
	24-3043	24-3044	24-3045	24-3043	24-3044	24-3045	REPLACEMENT PACKAGE No.
	17050563	17050563	17050564	17050563	17050563	17050564	OVERHAUL KIT
	9268						POWER CARBURETOR KIT
	40-426						GASKET SET
ILLUS. No.	AIR HORN PARTS						
1	7048880						Air Horn Assembly
2	7029912						Screw—Air Horn
3	7014699						Screw—Air Horn
4	7031105						Screw—Air Horn
5	7048169						Lever—Pump Actuating
6	9428787						Roll Pin—Pump and Lockout Levers
7	—						Screw—Idle Vent Valve
8	—						Valve—Idle Vent
9	—						Idle Vent Valve Kit
10	7048992						Metering Rod—Secondary
11	7038841						Gasket—Air Horn
12	—						Lockout Lever—Air Valve
13	7034522						Secondary Metering Rod Holder Kit
—	7035344						Air Valve Spring and Cam Kit
—	7030663						Baffle—Air Horn

	7044223	7044500	7044201	7044225	7044505	7044221	CARBURETOR No.	
	CHOKE PARTS							
Illus. No.								
14	7047614						Choke Shaft and Lever Assembly	
15	7029866						Screw—Choke Valve	
16	7036021						Choke Valve	
17	7031925						Screw—Vacuum Break Control	
18	7048884						Vacuum Break Control and Bracket Assembly	
19	7047378						Cam—Fast Idle	
20	7005109						Clip—Choke Rod	
21	7026339						Hose—Vacuum	
22	7024257						Rod—Vacuum Break	
	7041178						Intermediate Choke Rod	
23	7005109						Clip—Intermediate Choke Rod	
24	7037557						Rod—Choke	
25	7031231						Lever—Intermediate Choke	
26	7048200						Vacuum Break Control Assembly	
	FLOAT BOWL PARTS							
27	17050521	17050521	17050539	17050521	17050521	17050539	Float Bowl Assembly	
28	7047080						Pump Assembly	
29	7041169						Spring—Pump Return	
30	7037316						Float Assembly	
31	7037317						Hinge Pin—Float	
32	7033751						Pull Clip—Float Needle	
33	30-140						Needle and Seat Assembly	
33A	KIT ONLY						Gasket—Needle Seat	
34	7029862						Spring—Metering Rod—Primary	
35	7031365						Baffle Plate—Float Bowl	
36	7034841	7034841	7034839	7034841	7034841	7034839	Metering Rod—Primary	
37	7031975						Metering Jet—Primary	
38	7034903						Power Piston Assembly	
39	7037319						Insert—Float Bowl	
40	7029849						Retainer—Pump Discharge Ball	
41	7002117						Ball—Pump Discharge	
42	7036019						Spring—Power Piston	
43							Clip—Pump Rod	
44	7027270						Lockout Lever—Secondary	
45	7045605						Filter Nut—Fuel Inlet	
46	7024281						Gasket—Inlet Nut	
47							Gasket—Filter	
48	GF 427						Filter—Fuel Inlet	
49	7030588						Spring—Inlet Filter	
50	7026138						Rod—Pump	
51	7002121						Screw—Idle Stop	
52	7003176						Spring—Idle Stop Screw	
	*1997417						Solenoid—Idle Stop	
	7042682						Bracket—Solenoid	
	7042653						Locking Washer—Retaining Nut	
	7042654						Nut—Solenoid Retaining	
	7043682						Screw—Bracket	
	THROTTLE BODY PARTS							
53	7035523						Screw—Cam and Fast Idle Levers Attaching	
54	7030677						Lever—Fast Idle	
55	7029900						Spring—Fast Idle Screw	
56	7029899						Screw—Fast Idle Adjusting	
57	7043634						Lever—Cam Follower	
58	KIT ONLY						Gasket—Throttle Body	
59	7011479						Spring—Idle Needle	
60	7042457						Idle Needle	
61	7035790						Screw—Throttle Body	
62	7035772						Spring—Cam Follower Lever	
63	17050558	17050558	17050559	17050558	17050558	17050559	Throttle Body Assembly	
64	342705						Insulator—Flange	

* Idle Stop Solenoid Available Through Delco-Remy