

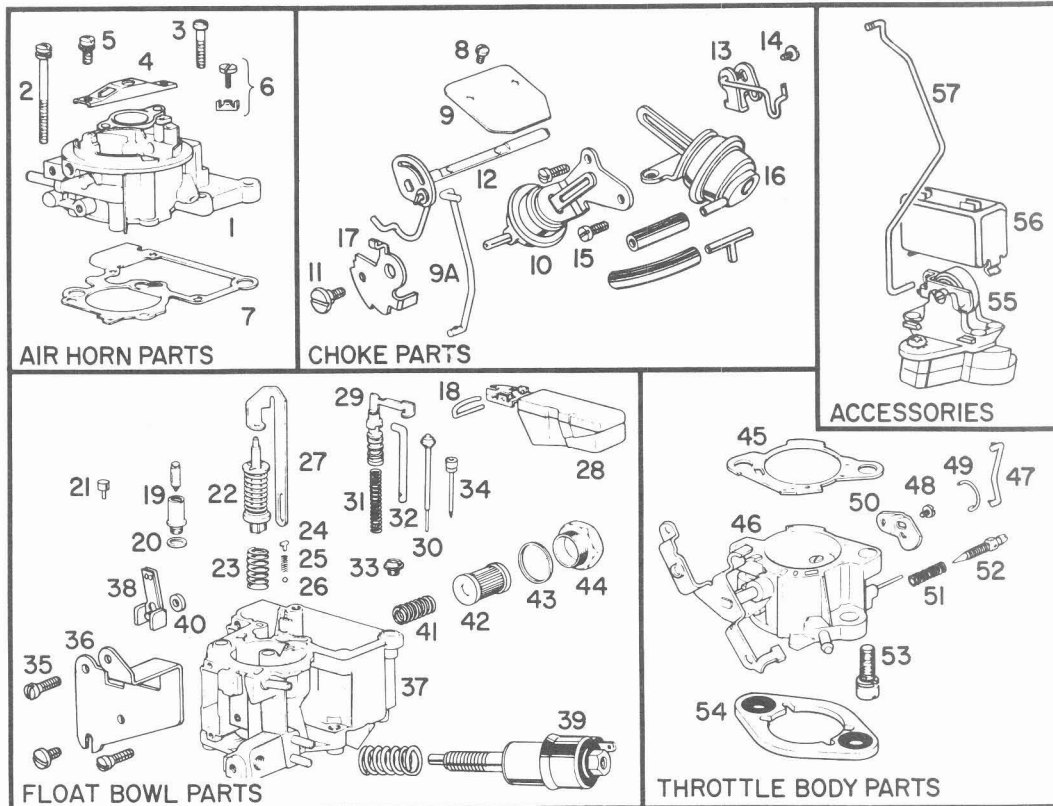


# Delco Carburetor

MODEL 1MV MONOJET  
**1975 CHEVROLET CHEVELLE, CAMARO,  
 NOVA & EL CAMINO "6"**  
 250 CUBIC INCH ENGINE

BULLETIN 9C-3083  
 DATE: July, 1978  
 PAGE 1  
 Replaces 9C-3083  
 Dated January 1975

PARTS SHOWN ARE FOR IDENTIFICATION ONLY. CONSULT PARTS LIST FOR CORRECT PART NAME AND NUMBER



**PARTS IN ALL COLUMNS SAME – EXCEPT WHERE INDICATED**

	AUTO. TRANS. FED. L-22	MAN. TRANS. FEDERAL	AUTO. TRANS. FED. 2-14	AUTO. TRANS. CALIFORNIA	APPLICATION
	<b>7045012</b>	<b>7045013</b>	<b>7045032</b>	<b>7045314</b>	<b>CARBURETOR No.</b>
	<b>21-3149</b>	<b>21-3092</b>	<b>21-3056</b>	<b>21-3092</b>	<b>REPLACEMENT PACKAGE No.</b>
	<b>17051892</b>	<b>17051891</b>	<b>17051892</b>	<b>17051891</b>	<b>OVERHAUL KIT</b>
	<b>9248</b>				<b>POWER CARBURETOR KIT</b>
	<b>40-412</b>				<b>GASKET SET</b>
<b>Illus. No.</b>	<b>AIR HORN PARTS</b>				
1	17050834	17050834	17052206	17050834	Air Horn Assembly
2	7043089				Screw—Air Horn (Long)
3	7030917				Screw—Air Horn (Short)
4	7043588				Bracket—Air Cleaner Stud
5	7042813				Screw—Bracket Attaching
6	—				Idle Vent Valve Kit
7	7035166				Gasket—Air Horn
	<b>CHOKE PARTS</b>				
8	7020926				Screw—Choke Valve
9	17052251	17052251	7049918	17052251	Choke Valve
9A	7043122	7043122	NONE	7043122	Link—Vacuum Break Sec.
10	7043127	7043127	NONE	7043127	Vac. Break Control Sec.
11	7003561				Screw—Cam Attaching
12	7043099	7043099	7028175	7043099	Choke Shaft Lever & Link Assy.
13	17051769	17051769	NONE	17051769	Choke Lever & Link Assy.
14	7019709				Screw—Choke Lever
15	7043095	7043095	NONE	7043095	Screw—Vac. Break Bracket
16	17060445	17060445	7030918	17060445	Vacuum Break Control Assembly —Pri.
—	7026339				Hose—Vac. Break
17	17052358	17052358	7048770	17052358	Cam—Fast Idle

	7045012	7045013	7045032	7045314	CARBURETOR No.
Illus. No.	FLOAT BOWL PARTS				
18	7034032				Hinge Pin—Float
19	30-133				Needle and Seat Assembly
20	KIT ONLY				Gasket—Needle Seat
21	—				Power Valve
22	7037595	7037595	7037597	7037595	Pump Assembly
23	7041176				Spring—Pump Return
24	7003838				Guide—Pump Discharge
25	7002118				Spring—Pump Discharge
26	7002117				Ball—Pump Discharge
27	17056474				Lever—Pump Actuating
28	7037022				Float Assembly
29	7037804	7037804	7035889	7035512	Power Piston Assembly
30	17052051	17052051	7037974	17052051	Metering Rod & Spring Assembly
31	7034360	7036280	7034360	7012515	Spring—Power Piston
32	17054016 Kit				Rod—Power Piston
33	7034206	7034206	7034204	7034206	Jet—Main Metering
34	17052344	17052340	17052347	17052344	Idle Tube Assembly
35	7041287				Screw Bracket(2)
36	17050025				Bracket—Throttle Return Spring
37	17050697	17052727	17052718	17051894	Float Bowl Assembly
38	17060388				Idle Compensator Assembly
39	7043575	7043575	7040316	7043575	Solenoid—Idle Stop
40	7027970				Gasket—Idle Compensator
41	7032732				Spring—Fuel Filter
42	GF-427				Filter—Fuel Inlet
43	7032508				Gasket—Filter Nut
44	7038946				Filter Nut—Fuel Inlet
—	17050024				Screw—Throttle Bracket (1)
—					
—					
—					
	THROTTLE BODY PARTS				
45	KIT ONLY				Gasket—Throttle Body
46	17052059	17052059	17053010	17052059	Throttle Body Assembly
47	7035267	7035267	7037855	7035267	Link—Pump Lever
48	7010435				Screw—Lever Attaching
49	17054016 Kit				Link—Power Piston Rod
50	17054016 Kit				Lever—Pump and Power Rods
51	7038989				Spring—Idle Needle
52	7048964				Idle Needle
53	7043087				Screw—Throttle Body
54	333977				Insulator—Flange
	ACCESSORIES				
55	17052651				Manifold Stat Coil Assy.
56	17051424				Cover—Manifold Stat Coil
57	7043516				Link—Manifold Stat Coil



# Delco Carburetor

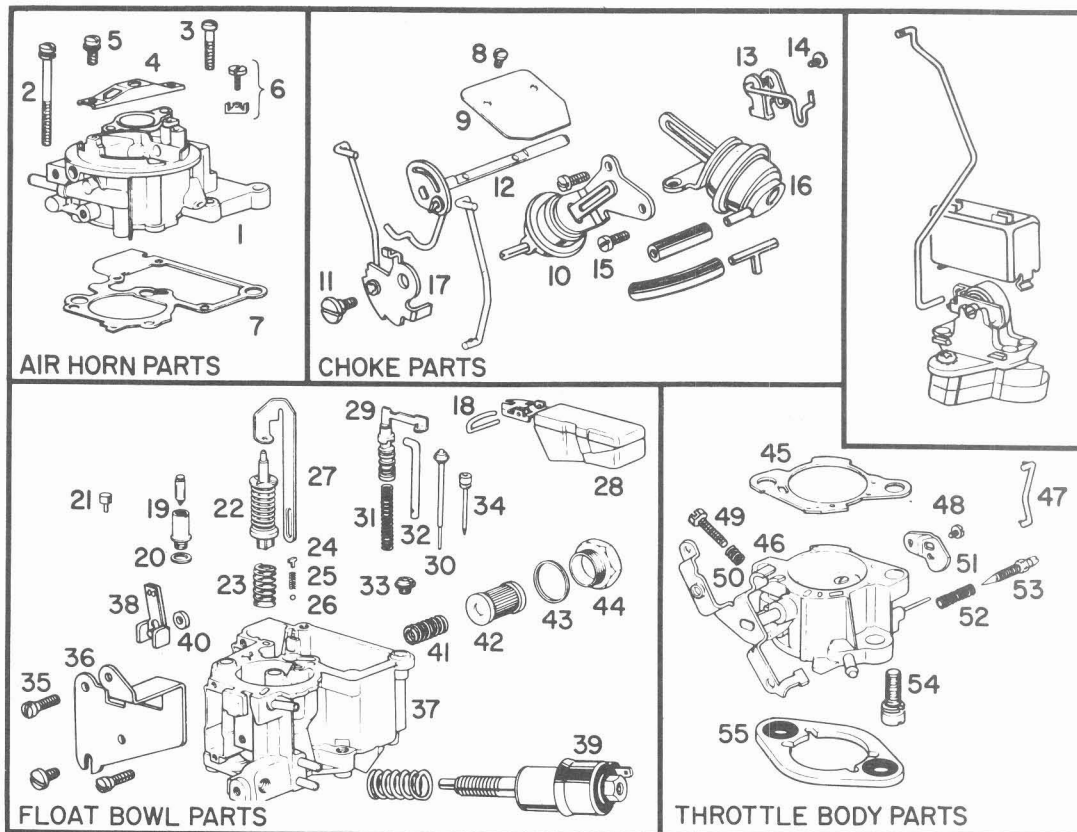
## MODEL 1MV MONOJET

### 1975 CHEVROLET MONZA & VEGA

#### 140 CUBIC INCH "4"

BULLETIN 9C-3084  
 DATE: July, 1978  
 PAGE 1  
 Replaces 9C-3084  
 Dated November 1975

PARTS SHOWN ARE FOR IDENTIFICATION ONLY. CONSULT PARTS LIST FOR CORRECT PART NAME AND NUMBER



### PARTS IN ALL COLUMNS SAME — EXCEPT WHERE INDICATED

	FEDERAL AUTO. TRANS.	FEDERAL 4-SPEED MAN. TRANS.	FEDERAL 3-SPEED MAN. TRANS.	APPLICATION
	7045024	7045025	7045021	<b>CARBURETOR No. (Non Air Cond.)</b>
	7045028	7045029	7045321	<b>CARBURETOR No. (Air Cond.)</b>
	21-3096	21-3096	21-3096	<b>REPLACEMENT PACKAGE No.</b>
	7046682			OVERHAUL KIT
	9249			POWER CARBURETOR KIT
	40-413			GASKET SET
<b>Illus. No. AIR HORN PARTS</b>				
1	17050828			Air Horn Assembly
2	7043089			Screw—Air Horn (Long)
3	7030917			Screw—Air Horn (Short)
4	7043656			Bracket—Air Cleaner Stud
5	7042813			Screw—Bracket Attaching
6	—			Idle Vent Valve Kit
7	7040137			Gasket—Air Horn
<b>CHOKE PARTS</b>				
8	7020926			Screw—Choke Valve
9	7049918			Choke Valve
10	7043090			Aux. Vacuum Brk. Assy. Secondary
11	7003561			Screw—Cam Attaching
12	7043083			Choke Shaft Lever & Link Assembly
13	7041238			Choke Lever & Link Assembly
14	7019709			Screw—Choke Lever
15	7043095			Screw—Vac. Break Bracket
16	7043098			Vacuum Break Control Assembly Aux.
—	7043086			Link—Sec. Vac. Break
—	7026339			Host Vacuum
17	17053085			Cam & Link Assy.

	7045024	7045025	7045021	CARBURETOR No. (Non Air Cond.)
	7045028	7045029	7045321	CARBURETOR No. (Air Cond.)
Illus. No.	FLOAT BOWL PARTS			
18	7034032			Hinge Pin—Float
19	30-149			Needle and Seat Assembly
20	KIT ONLY			Gasket—Needle Seat
21	7030668			Power Valve
22	7045943			Pump Assembly
23	7004597			Spring—Pump Return
24	7003838			Guide—Pump Discharge
25	7002118			Spring—Pump Discharge
26	7002117			Ball—Pump Discharge
27	17056474			Lever—Pump Actuating
28	7037022			Float Assembly
29	—			Power Piston Assembly
30	—			Metering Rod & Spring Assembly
31	—			Spring—Power Piston
32	—			Rod—Power Piston
33	7034152	7034151	7034151	Jet—Main Metering
34	17052329	17052332	17052332	Idle Tube Assembly
35	7041272			Screw—Cover (Air Cond.)
36	7041512			Cover—Idle Compensator (Air Cond.)
37	17050666	7046966	7046966	Float Bowl Assembly
38	7035667	7035288	7035288	Idle Compensator Assembly (Air Cond.)
39	—			Screw—Slow Idle
40	7027970			Gasket—Idle Compensator (Air Cond.)
41	7032732			Spring—Fuel Filter
42	GF-427			Filter—Fuel Inlet
43	7032508			Gasket—Filter Nut
44	7038946			Filter Nut—Fuel Inlet
—	7040219			Solenoid—Idle Stop
—	7040519			Spring—Solenoid Locking
	THROTTLE BODY PARTS			
45	KIT ONLY			Gasket—Throttle Body
46	17052478	17052469	17052478	Throttle Body Assembly
47	7040900			Link—Pump Lever
48	7010435			Screw—Lever Attaching
49	17050381			Screw—Fast Idle
50	7041519			Spring—Fast Idle Screw
51	7027005			Lever Pump Rod
52	7038989			Spring—Idle Needle
53	7048964			Idle Needle
54	7043087			Screw—Throttle Body
55	3983440			Gasket—Flange
—	331124			Insulator—Flange



# Delco Carburetor

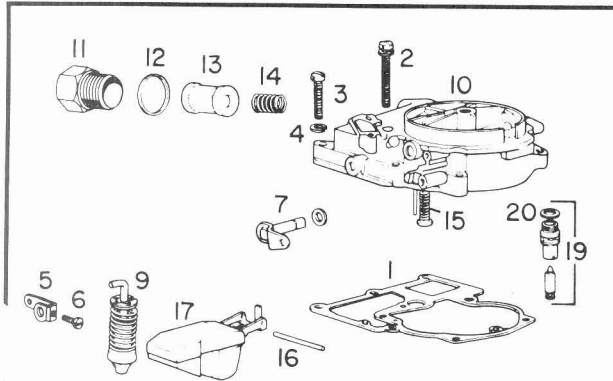
MODEL 2GC CARBURETORS

1975 CHEVROLET, CHEVELLE,  
MONTE CARLO, CAMARO

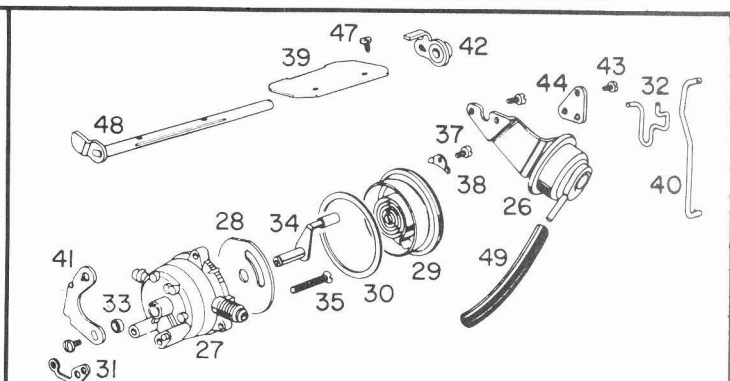
350 CUBIC INCH ENGINE

BULLETIN 9C-3085  
DATE: July, 1978  
PAGE 1  
Replaces 9C-3085  
Dated November 1975

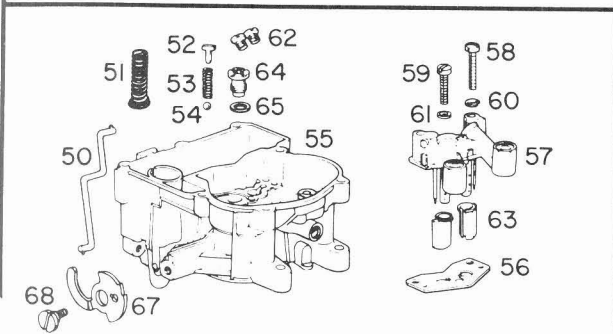
PARTS SHOWN ARE FOR IDENTIFICATION ONLY. CONSULT PARTS LIST FOR CORRECT PART NAME AND NUMBER



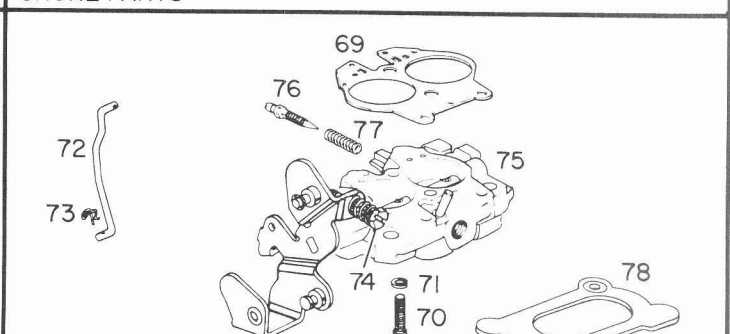
AIR HORN PARTS



CHOKE PARTS



FLOAT BOWL PARTS



THROTTLE BODY PARTS

**PARTS IN ALL COLUMNS SAME — EXCEPT WHERE INDICATED**

	CANADA ONLY CHEVROLET CHEVELLE	FEDERAL CAMARO	FEDERAL CAMARO	FEDERAL CHEVROLET CHEVELLE MONTE CARLO AUTO. TRANS.	APPLICATION
	MONTE CARLO	MAN. TRANS.	AUTO. TRANS.		
	7045100	7045111	7045112	7045114	<b>CARBURETOR No.</b>
	22-3113	22-3113	22-3113	22-3113	<b>REPLACEMENT PKG. No.</b>
	17052658	17054001	17054001	17052658	OVERHAUL KIT
	9282	9309	9309	9282	POWER CARBURETOR KIT
	40-438				GASKET SET

Illus. No.	AIR HORN PARTS				
1	7045671				Gasket—Air Horn
2	7010432				Screw—Air Horn—Long
3	7006119				Screw—Air Horn—Short
4	120217				Lockwasher—Air Horn Screw
5	7032377				Pump Lever—Inside
6	7011270				Screw—Pump Lever
7	17050230				Pump Shaft & Lever Assembly
—	7019568				Washer—Pump Shaft
8	—				Clip—Pump
9	7046028				Pump Assembly
10	17052652				Air Horn Assembly
11	17051765	7040958	7040958		Filter Nut—Fuel Inlet
12	7032508				Gasket—Filter Nut
13	GF-427	7013404	7013404	GF-427	Filter—Fuel Inlet
14	7032732	17051764	17051764	7032732	Spring—Fuel Inlet Filter
15	7006323				Power Piston Assembly
16	7002081				Pin—Float Hinge
17	7037512				Float Assembly
18	—	9428895	9428895	—	Elbow—Filter Nut

CO, WD, 131, 132, 16, 9X, 9FR, 9FD, 9LA  
NSS NOT SERVICED SEPARATELY

PRINTED IN U.S.A.  
© 1978 GENERAL MOTORS CORP.

	7045100	7045111	7045112	7045114	CARBURETOR No.
AIR HORN PARTS (Continued)					
Illus. No.					
19	30-132	30-152	30-152	30-152	Needle & Seat Assy.
20	KIT ONLY				Gasket—Needle Seat
21	—				Shield—Idle Vent
22					Idle Vent Valve Kit
23	—				Screw—Idle Vent Valve
24	—				Idle Vent Valve
CHOKE PARTS					
25	—				Vacuum Break Control Assembly
26	17052732				Vacuum Break Kit
—	7037570				Screw—Control Attaching
27	17055540				Choke Housing
28	—				Baffle Plate
29	17052654				Stat Cover, Coil & Gasket Assy.
30	17050961				Gasket—Stat Cover
31	7043291				Gasket—Choke Housing
32	7040239				Link—Vacuum Break
33	7037569				Dust Seal—Inter. Choke Shaft
34	7043289				Intermediate Choke Shaft Assy.
35	7043292				Screw—Choke Housing
36					Cam Lever & Bushing Assembly
37	7011270				Screw—Stat Cover
38	7000614				Retainer—Stat Cover
39	7033443				Choke Valve
40	17050270				Intermediate Choke Rod
41	17050266				Intermediate Choke Lever
42	17050766				Lever Choke
43	7019709				Screw—Choke Levers
44	17050271				Lever—Choke Shaft
45					
46					Washer—Cam
47	7007627				Screw—Choke Valve
48	7047797				Choke Shaft Assy.
49	7026339				Hose—Vacuum
50	7043370				Choke Rod
FLOAT BOWL PARTS					
51	7041141				Spring—Pump Return
—	7002120				Ball—Pump Inlet Check
—					Strainer—Pump Inlet
52	NLA				Guide—Pump Discharge
53	7002118				Spring—Pump Discharge
54	7002117				Ball—Pump Discharge
55	17065229				Float Bowl Assembly
56	KIT ONLY				Gasket—Venturi Cluster
57	17056636	17053741	17053741	17053741	Venturi Cluster Assembly
58	7045762				Screw—Venturi Cluster—Outer
59	7009077				Screw—Cluster—Center
60	120217				Lockwasher—Outer Screws
61	KIT ONLY				Gasket—Center Screw
62	7002650				Jet—Standard (See Note)
63	7040320				Insert—Main Well
64	7011989				Power Valve Assembly
65	KIT ONLY				Gasket—Power Valve
66					
67	7043369				Cam—Fast Idle
68	7036222				Screw—Cam Attaching
THROTTLE BODY PARTS					
69	KIT ONLY				Gasket—Throttle Body
70	7015105				Screw—Throttle Body
71	121744				Lockwasher—Throttle Body Screws
72	17050277				Pump Rod
73	7018186				Clip—Pump Rod
74	7029427				Idle Stop Screw
—	7037131				Spring—Idle Stop Screw
75	17052799	17052723	17052723	17052723	Throttle Body Assembly
76	7048860				Idle Needle
77	7011479				Spring—Idle Needle
78	6271058				Insulator—Flange



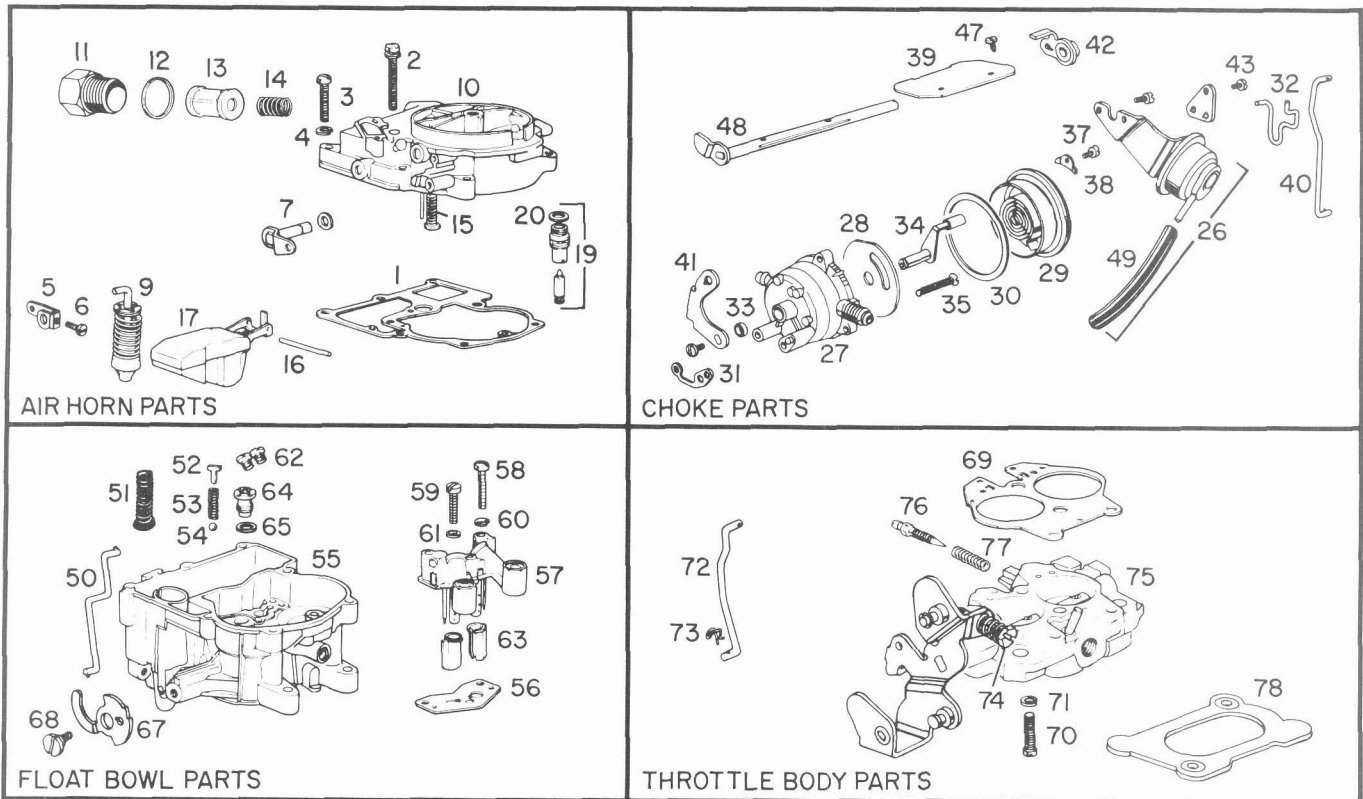
# Delco Carburetor

MODEL 2GC CARBURETORS  
1975 CHEVROLET NOVA

350 CUBIC INCH ENGINE

BULLETIN 9C-3086  
DATE: July, 1978  
PAGE 1  
Replaces 9C-3086  
Dated January 1975

PARTS SHOWN ARE FOR IDENTIFICATION ONLY. CONSULT PARTS LIST FOR CORRECT PART NAME AND NUMBER



**PARTS IN ALL COLUMNS SAME – EXCEPT WHERE INDICATED**

	FEDERAL MAN. TRANS.	FEDERAL AUTO. TRANS.	APPLICATION
	7045123	7045124	CARBURETOR No.
	22-3113	22-3113	REPLACEMENT PKG. No.
	17052658		OVERHAUL KIT
	9282		POWER CARBURETOR KIT
	40-438		GASKET SET
Illus. No.	AIR HORN PARTS		
1	7045671		Gasket—Air Horn
2	7010432		Screw—Air Horn—Long
3	7006119		Screw—Air Horn—Short
4	120217		Lockwasher—Air Horn Screw
5	7032377		Pump Lever—Inside
6	7011270		Screw—Pump Lever
7	17050230		Pump Shaft & Lever Assy.
8	7019568		Washer—Pump Shaft
9	7046028		Clip—Pump
10	17065256		Pump Assembly
11	17051765		Air Horn Assembly
12	7032508		Filter Nut—Fuel Inlet
13	GF-427		Gasket—Filter Nut
14	7034356		Filter—Fuel Inlet
15	7006323		Spring—Fuel Inlet Filter
16	7002081		Power Piston Assembly
17	7037512		Pin—Float Hinge
18			Float Assembly
19	30-132		Pull Clip—Float Needle
20	KIT ONLY		Needle & Seat Assy.
21			Gasket—Needle Seat
			Shield—Idle Vent

	7045123	7045124	CARBURETOR No.
Illus. No.	AIR HORN PARTS (Continued)		
22	—		Idle Vent Valve Kit
23	—		Screw—Idle Vent Valve
24	—		Idle Vent Valve
	CHOKE PARTS		
25	—		Vacuum Break Control Assembly
26	17052732		Vacuum Break Kit
—	7037570		Screw—Control Attaching
27	17055540		Choke Housing
28	7037239		Baffle Plate
29	17052654		Stat Cover, Coil & Gasket Assy.
30	17050961		Gasket—Stat Cover
31	7043291		Gasket—Choke Housing
32	7040239		Link—Vacuum Break
33	7037569		Dust Seal—Inter. Choke Shaft
34	7043289		Intermediate Choke Shaft Assy.
35	7043292		Screw—Choke Housing
36			Cam Lever & Bushing Assembly
37	7011270		Screw—Stat Cover
38	7000614		Retainer—Stat Cover
39	7033443		Choke Valve
40	17050270		Intermediate Choke Rod
41	17050266		Intermediate Choke Lever
42	17050766		Lever Choke
43	7019709		Screw—Choke Levers
44			
45			
46			Washer—Cam
47	7007627		Screw—Choke Valve
48	7047797		Choke Shaft Assembly
49	7026339		Hose—Vacuum
50	7043370		Choke Rod
	FLOAT BOWL PARTS		
51	7041141		Spring—Pump Return
—	7002120		Ball—Pump Inlet Check
—			Strainer—Pump Inlet
52	NLA		Guide—Pump Discharge
53	7002118		Spring—Pump Discharge
54	7002117		Ball—Pump Discharge
55	17052659		Float Bowl Assembly
56	KIT ONLY		Gasket—Venturi Cluster
57	17053741		Venturi Cluster Assembly
58	7045762		Screw—Venturi Cluster—Outer
59	7009077		Screw—Cluster—Center
60	120217		Lockwasher—Outer Screws
61	KIT ONLY		Gasket—Center Screw
62	7002650		Jet—Standard (See Note)
63	7040320		Insert—Main Well
64	7011989		Power Valve Assembly
65	KIT ONLY		Gasket—Power Valve
66			
67	7043369		Cam—Fast Idle
68	7036222		Screw—Cam Attaching
—			
—			
—			
—			
	THROTTLE BODY PARTS		
69	KIT ONLY		Gasket—Throttle Body
70	7015105		Screw—Throttle Body
71	121744		Lockwasher—Throttle Body Screws
72	17050277		Pump Rod
73	7018186		Clip—Pump Rod
74	7029427		Idle Stop Screw
—	7037131		Spring—Idle Stop Screw
75	17052723		Throttle Body Assembly
76	7048860		Idle Needle
77	7011479		Spring—Idle Needle
78	6271058		Insulator—Flange





# Delco Carburetor

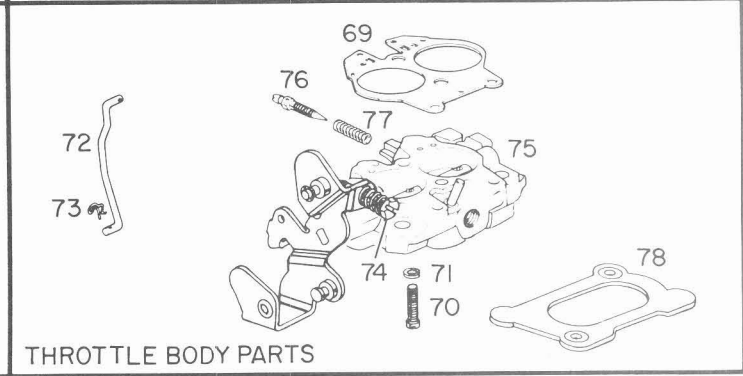
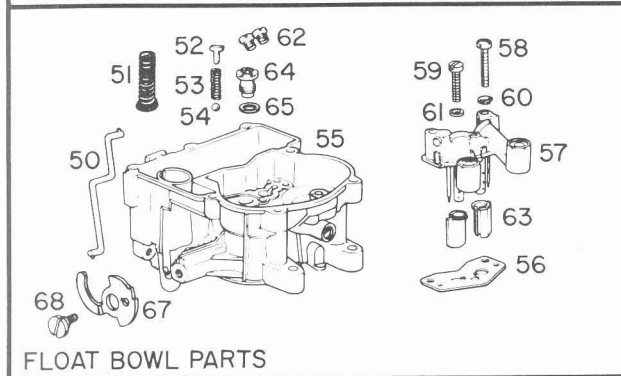
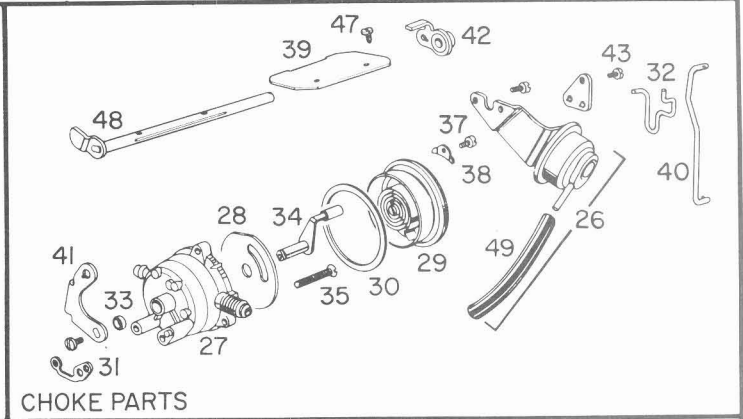
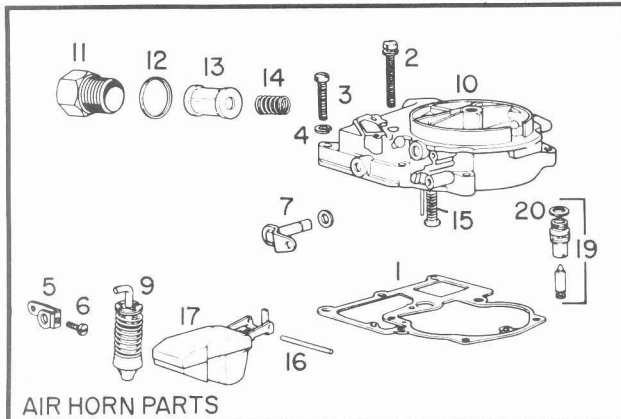
## MODEL 2GC CARBURETORS

### 1975 CHEVROLET V-8 NOVA & MONZA

#### 262 CUBIC INCH ENGINE

BULLETIN 9C-3087  
 DATE: July, 1978  
 PAGE 1  
 Replaces 9C-3087  
 Dated January 1975

PARTS SHOWN ARE FOR IDENTIFICATION ONLY. CONSULT PARTS LIST FOR CORRECT PART NAME AND NUMBER



**PARTS IN ALL COLUMNS SAME – EXCEPT WHERE INDICATED**

Illus. No.	FEDERAL				APPLICATION
	MONZA MAN. TRANS.	MONZA AUTO. TRANS.	NOVA MAN. TRANS.	NOVA AUTO. TRANS.	
	<b>7045101</b>	<b>7045102</b>	<b>7045105</b>	<b>7045106</b>	<b>CARBURETOR No.</b>
	<b>22-3073</b>	<b>22-3127</b>	<b>22-3073</b>	<b>22-3127</b>	<b>REPLACEMENT PKG. No.</b>
	17052787				OVERHAUL KIT
	9284				POWER CARBURETOR KIT
	40-438				GASKET SET
	AIR HORN PARTS				
1	7045671				Gasket—Air Horn
2	7010432				Screw—Air Horn—Long
3	7006119				Screw—Air Horn—Short
4	120217				Lockwasher—Air Horn Screw
5	7032377				Pump Lever—Inside
6	7011270				Screw—Pump Lever
7	17050230				Pump Shaft & Lever Assy.
—	7019568				Washer—Pump Shaft
8	—				Clip—Pump
9	<b>7036282</b>				Pump Assembly
10	<b>17065256</b>				Air Horn Assembly
11	7040958	7040958	17051765	17051765	Filter Nut—Fuel Inlet
12	7032508				Gasket—Filter Nut
13	7013404	7013404	GF-427	GF-427	Filter—Fuel Inlet
14	<b>17051764</b>	<b>17051764</b>	7032732	7032732	Spring—Fuel Inlet Filter
15	7037811				Power Piston Assembly
16	7002081				Pin—Float Hinge
17	7037512				Float Assembly
18	NLA	NLA	NONE	NONE	Elbow—Filter Nut
19	30-132				Needle & Seat Assy.
20	KIT ONLY				Gasket—Needle Seat
21	—				Shield—Idle Vent

	7045101	7045102	7045105	7045106	CARBURETOR No.
Illus. No.	AIR HORN PARTS (Continued)				
22	—				Idle Vent Valve Kit
23	—				Screw—Idle Vent Valve
24	—				Idle Vent Valve
CHOKE PARTS					
25	—				Vacuum Break Control Assembly
26	17052732				Vacuum Break Kit
—	7037570				Screw—Control Attaching
27	17055540				Choke Housing
28	7037239				Baffle Plate
29	17052784				Stat Cover, Coil & Gasket Assy.
30	17050961				Gasket—Stat Cover
31	7043291				Gasket—Choke Housing
32	7040239				Link—Vacuum Break
33	7037569				Dust Seal—Inter. Choke Shaft
34	7043289				Intermediate Choke Shaft Assy.
35	7043292				Screw—Choke Housing
36					Cam Lever & Bushing Assembly
37	7011270				Screw—Stat Cover
38	7000614				Retainer—Stat Cover
39	7033443				Choke Valve
40	17050270				Intermediate Choke Rod
41	17050266				Intermediate Choke Lever
42	17050766				Lever Choke
43	7019709				Screw—Choke Levers
44					
45					
46					
47	7007627				Screw—Choke Valve
48	7047797				Choke Shaft Assy.
49	7026339				Hose—Vacuum
50	7043370				Choke Link
FLOAT BOWL PARTS					
51	7041141				Spring—Pump Return
—	7002120				Ball—Pump Inlet Check
—					Strainer—Pump Inlet
52	NLA				Guide—Pump Discharge
53	7002118				Spring—Pump Discharge
54	7002117				Ball—Pump Discharge
55	17052785				Float Bowl Assembly
56	KIT ONLY				Gasket—Venturi Cluster
57	17053234	17053145	17053234	17053145	Venturi Cluster Assembly
58	7045762				Screw—Venturi Cluster—Outer
59	7009077				Screw—Cluster—Center
60	120217				Lockwasher—Outer Screws
61	KIT ONLY				Gasket—Center Screw
62	7002646	7002645	7002646	7002645	Jet—Standard (See Note)
63	7040320				Insert—Main Well
64	7017950				Power Valve Assembly
65	KIT ONLY				Gasket—Power Valve
66					
67	7043369				Cam—Fast Idle
68	7036222				Screw—Cam Attaching
—					
—					
—					
—					
THROTTLE BODY PARTS					
69	KIT ONLY				Gasket—Throttle Body
70	7015105				Screw—Throttle Body
71	121744				Lockwasher—Throttle Body Screws
72	17050277				Pump Rod
73	7018186				Clip—Pump Rod
74	7029427				Idle Stop Screw
—	7037131				Spring—Idle Stop Screw
75	17052788				Throttle Body Assembly
76	7048860				Idle Needle
77	7011479				Spring—Idle Needle
78	6271058				Insulator—Flange



# Delco Carburetor

MODEL M4MC — M4MCA QUADRAJET

1975 CAMARO

350 CUBIC INCH ENGINE

BULLETIN 9C-3088

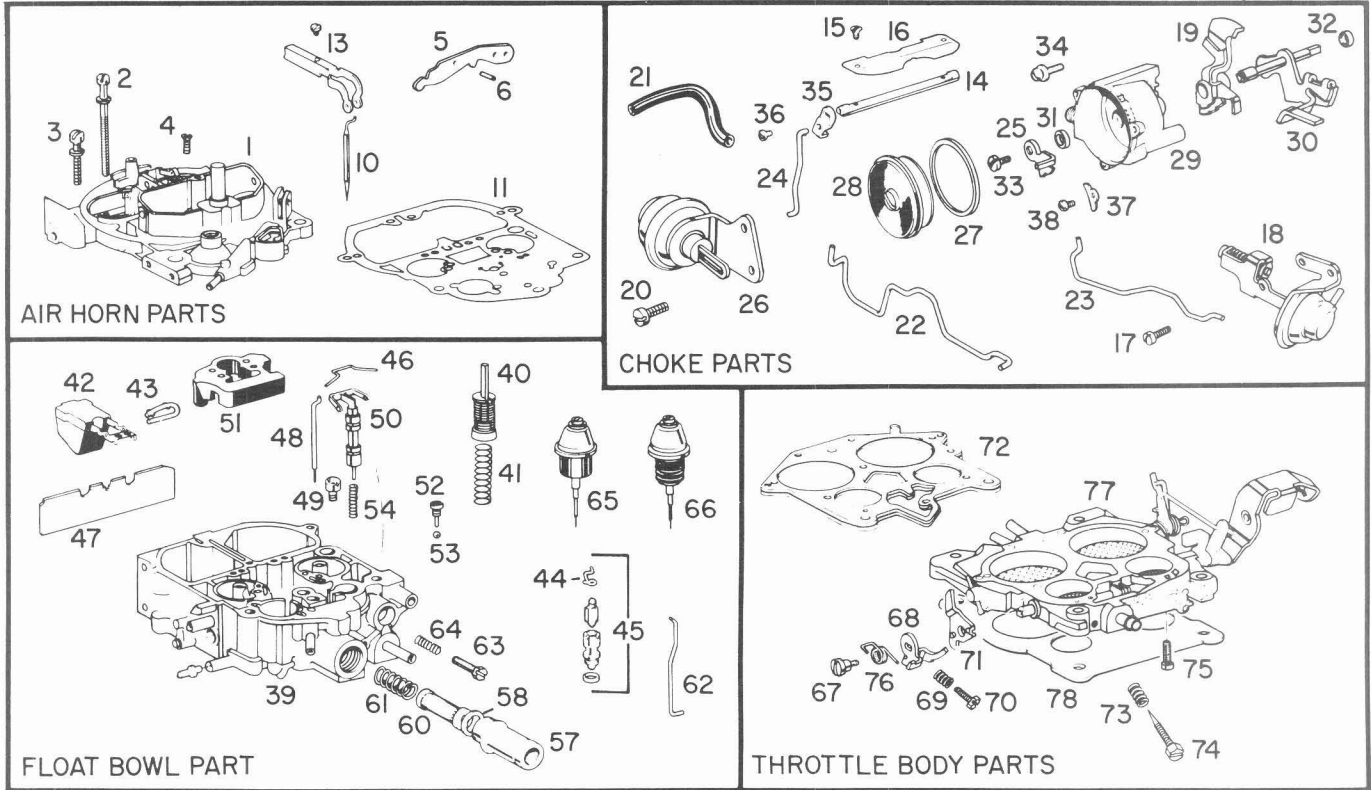
DATE: July, 1978

PAGE 1

Replaces 9C-3088

Dated January 1975

PARTS SHOWN ARE FOR IDENTIFICATION ONLY, CONSULT PARTS LIST FOR CORRECT PART NAME AND NUMBER



**PARTS IN ALL COLUMNS SAME — EXCEPT WHERE INDICATED**

ILLU. NO.	FEDERAL		CALIFORNIA		APPLICATION
	AUTO. TRANS.	MAN. TRANS.	AUTO. TRANS.	MAN. TRANS.	
	7045202	7045203	7045502	7045503	CARBURETOR No.
	24-3125	24-3125	24-3126	24-3126	REPLACEMENT PACKAGE No.
	17051931				OVERHAUL KIT
	9272				POWER CARBURETOR KIT
	40-431				GASKET SET
1	17052228				AIR HORN PARTS
2	7029912				Air Horn Assembly
3	7014699				Screw—Air Horn
4	7031105				Screw—Air Horn
5	7048169				Screw—Air Horn
6	9428787				Lever—Pump Actuating
7	—				Roll Pin—Pump and Lockout Levers
8	—				Screw—Idle Vent Valve
9	—				Valve—Idle Vent
10	7045779				Idle Vent Valve Kit
11	7042998				Metering Rod—Secondary
12	—				Gasket—Air Horn
13	7034522				Lockout Lever—Air Valve
—	7035344				Secondary Metering Rod Holder Kit
					Air Valve Spring and Cam Kit

	7045202	7045203	7045502	7045503	CARBURETOR No.
					CHOKE PARTS
Illus. No.					
14	7038259				Choke Shaft
15	7029866				Screw—Choke Valve
16	7048904				Choke Valve
17	17050732				Screw—Vacuum Break Control
18	17050759				Vacuum Break Control and Bracket Assembly
19	17051176				Cam—Fast Idle
20	7043682				Screw—Aux. Vac. Brk. Mounting
21	7026339				Hose—Vacuum
22	7041527				Rod—Vacuum Break
—	7031231				Lever—Intermediate Choke
23	7043447				Link—Aux. Vac. Break
24	7041472				Rod—Choke
25	7041499				Lever—Coil
26	17050756				Vacuum Break Control & Brkt. Assy. Aux.
27	17050961				Gasket—Stat Cover
28	17051918				Stat Cover—Coil & Gasket Assy.
29	17055545				Choke Housing Kit
30	17051193				Intermediate Choke Shaft & Lever
31	7037569				Seal Inter. Choke Shaft
32	7043367				Seal—Choke Housing to Bowl
33	7019709				Screw—Coil Lever
34	7038808				Screw—Choke Housing to Bowl
35	7041542				Lever—Choke
36	7029866				Screw—Choke Lever
37	7000614				Retainer—Stat Cover (3)
38	7011270				Screw—Stat Cover (3)
					FLOAT BOWL PARTS
39	17051919				Float Bowl Assembly
40	17051374				Pump Assembly
41	7042979				Spring—Pump Return
42	7041468				Float Assembly
43	7041469				Hinge Pin—Float
44	7033751				Pull Clip—Float Needle
45	30-134 KIT ONLY				Needle and Seat Assembly
46	7041459				Gasket—Needle Seat
47	7031365				Spring—Metering Rod—Primary
48	17051346				Baffle Plate—Float Bowl
49	7031972				Metering Rod—Primary
50	7041460				Metering Jet—Primary
51	7041471				Power Piston Assembly
52	7029849				Insert—Float Bowl
53	7002117				Retainer—Pump Discharge Ball
54	17052057				Ball—Pump Discharge
55	—				Spring—Power Piston
56	7041473				Clip—Pump Rod
57	7048873				Lockout Lever—Secondary
58	7024281				Filter Nut—Fuel Inlet
59	—				Gasket—Inlet Nut
60	GF-441				Gasket—Filter
61	7030588				Filter—Fuel Inlet
62	7026138				Spring—Inlet Filter
63	7002121				Rod—Pump
64	7003176				Screw—Idle Stop
65	17053049	17053049	NONE	NONE	Spring—Idle Stop Screw
66	NONE	NONE	17052235	17052235	A.P.T. Rod Assembly
—					Aneroid Assembly
—					
—					
					THROTTLE BODY PARTS
67	7036079				Screw—Fast Idle Levers Attaching
68	7041498				Lever—Fast Idle
69	7029900				Spring—Fast Idle Screw
70	7044794				Screw—Fast Idle Adjusting
71	7041497				Lever—Cam Follower
72	KIT ONLY				Gasket—Throttle Body
73	7011479				Spring—Idle Needle
74	7048531				Idle Needle
75	7035790				Screw—Throttle Body
76	17051494				Spring—Cam Follower Lever
77	17051921	17051923	17051921	17051923	Throttle Body Assembly
78	372506				Insulator—Flange



# Delco Carburetor

MODEL M4MC — M4MCA QUADRAJET

1975 NOVA

350 CUBIC INCH ENGINE

BULLETIN 9C-3089

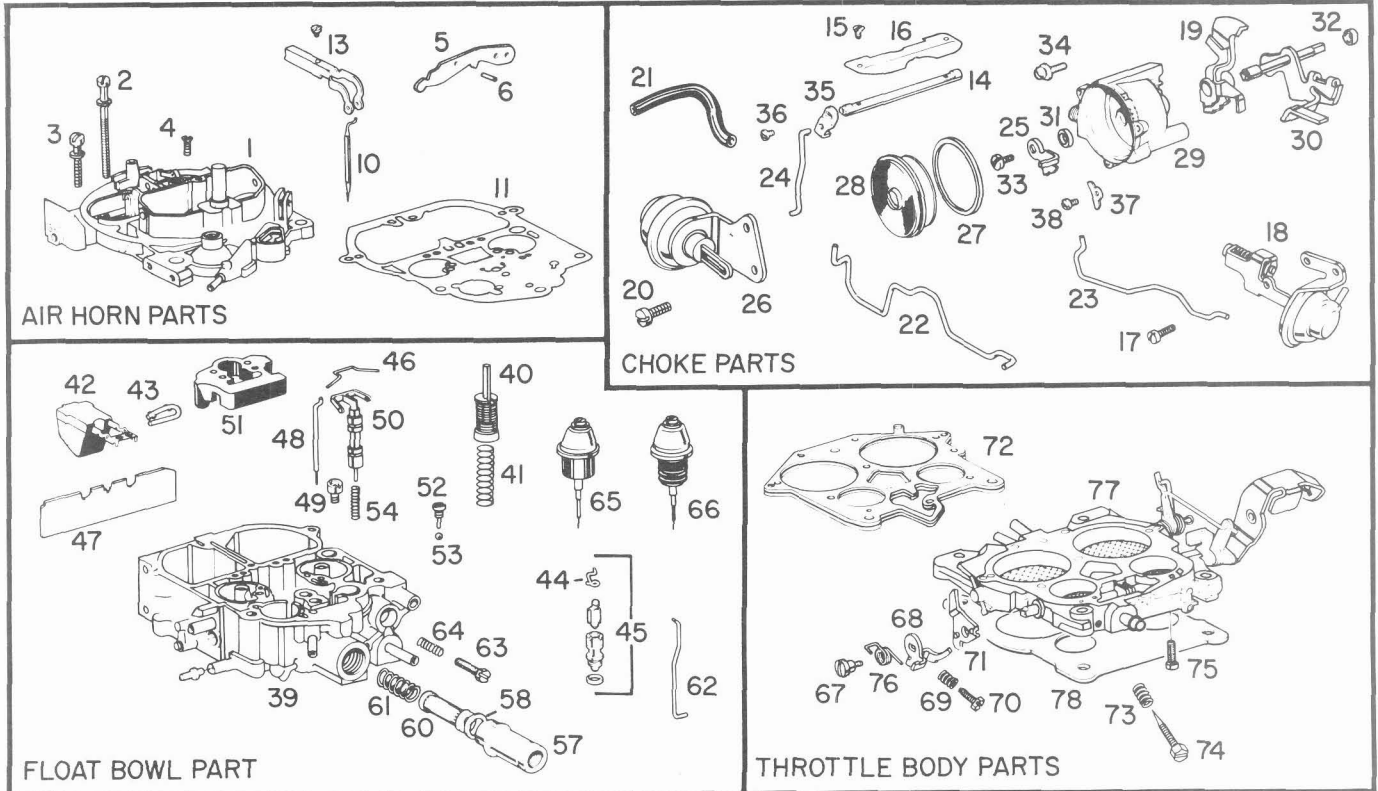
DATE: July, 1978

PAGE 1

Replaces 9C-3089

Dated January 1975

PARTS SHOWN ARE FOR IDENTIFICATION ONLY. CONSULT PARTS LIST FOR CORRECT PART NAME AND NUMBER



AIR HORN PARTS

CHOKE PARTS

FLOAT BOWL PART

THROTTLE BODY PARTS

**PARTS IN ALL COLUMNS SAME – EXCEPT WHERE INDICATED**

Illus. No.	FEDERAL		CALIFORNIA		APPLICATION
	AUTO. TRANS.	MAN. TRANS.	AUTO. TRANS.	MAN. TRANS.	
	7045206	7045207	7045506	7045507	CARBURETOR No.
	24-3125	24-3125	24-3126	24-3126	REPLACEMENT PACKAGE No.
	17051931				OVERHAUL KIT
	9272				POWER CARBURETOR KIT
	40-431				GASKET SET
	AIR HORN PARTS				
1	17052228				Air Horn Assembly
2	7029912				Screw—Air Horn
3	7014699				Screw—Air Horn
4	7031105				Screw—Air Horn
5	7048169				Lever—Pump Actuating
6	9428787				Roll Pin—Pump and Lockout Levers
7	—				Screw—Idle Vent Valve
8	—				Valve—Idle Vent
9	—				Idle Vent Valve Kit
10	7045779				Metering Rod—Secondary
11	7042998				Gasket—Air Horn
12	—				Lockout Lever—Air Valve
13	7034522				Secondary Metering Rod Holder Kit
—	7035344				Air Valve Spring and Cam Kit

	7045206	7045207	7045506	7045507	CARBURETOR No.
Illus. No.	CHOKE PARTS				
14	7038259				Choke Shaft
15	7029866				Screw—Choke Valve
16	7048904				Choke Valve
17	17050732				Screw—Vacuum Break Control
18	17050759				Vacuum Break Control and Bracket Assembly
19	17051176				Cam—Fast Idle
20	7043682				Screw—Aux. Vac. Brk. Mounting
21	7026339				Hose—Vacuum
22	7041527				Rod—Vacuum Break
—	7031231				Lever—Intermediate Choke
23	7043447				Link Aux. Vac. Brk.
24	7041472				Rod—Choke
25	7041499				Lever—Choke Coil
26	17050756				Vacuum Break Control & Brkt. Assy. Aux.
27	17050961				Gasket—Stat Cover
28	17051918				Stat Cover Coil & Gasket Assy.
29	17055545				Choke Housing Kit
30	17051193				Intermediate Choke Shaft & Lever
31	7037569				Seal Inter. Choke Shaft
32	7043367				Seal—Choke Housing to Bowl
33	7019709				Screw—Coil Lever
34	7038808				Screw—Choke Housing to Bowl
35	7041542				Lever—Choke
36	7029866				Screw—Choke Lever
37	7000614				Retainer—Stat Cover (3)
38	7011270				Screw—Stat Cover (3)
	FLOAT BOWL PARTS				
39	17051919				Float Bowl Assembly
40	17051374				Pump Assembly
41	7042979				Spring—Pump Return
42	7041468				Float Assembly
43	7041469				Hinge Pin—Float
44	7033751				Pull Clip—Float Needle
45	30-134				Needle and Seat Assembly
45A	KIT ONLY				Gasket—Needle Seat
46	7041459				Spring—Metering Rod—Primary
47	7031365				Baffle Plate—Float Bowl
48	17051346				Metering Rod—Primary
49	7031972				Metering Jet—Primary
50	7041460				Power Piston Assembly
51	7041471				Insert—Float Bowl
52	7029849				Retainer—Pump Discharge Ball
53	7002117				Ball—Pump Discharge
54	17052057				Spring—Power Piston
55	—				Clip—Pump Rod
56	7041473				Lockout Lever—Secondary
57	7048873				Filter Nut—Fuel Inlet
58	7024281				Gasket—Inlet Nut
59	—				Gasket—Filter
60	GF-441				Filter—Fuel Inlet
61	7030588				Spring—Inlet Filter
62	7026138				Rod—Pump
63	7002121				Screw—Idle Stop
64	7003176				Spring—Idle Stop Screw
65	17053049	17053049	NONE	NONE	A.P.T. Rod Assy.
66	NONE	NONE	17052235	17052235	Aneroid Assy.
—					
—					
—					
	THROTTLE BODY PARTS				
67	7036079				Screw—Fast Idle Levers Attaching
68	7041498				Lever—Fast Idle
69	7029900				Spring—Fast Idle Screw
70	7044794				Screw—Fast Idle Adjusting
71	7041497				Lever—Cam Follower
72	KIT ONLY				Gasket—Throttle Body
73	7011479				Spring—Idle Needle
74	7048531				Idle Needle
75	7035790				Screw—Throttle Body
76	17051494				Spring—Cam Follower Lever
77	17051921	17051923	17051921	17051923	Throttle Body Assembly
78	372506				Insulator—Flange



# Delco Carburetor

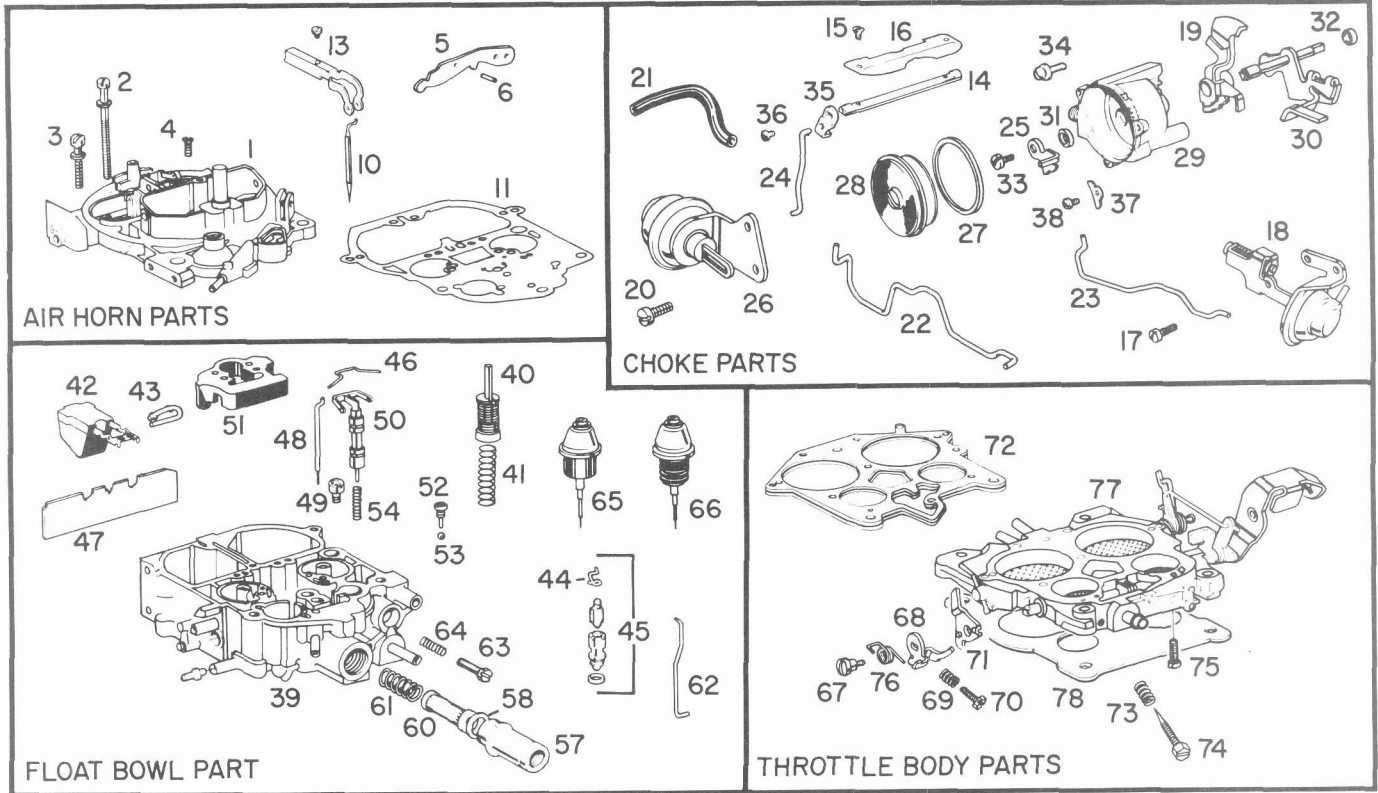
## MODEL M4MC QUADRAJET

### 1975 CORVETTE

#### 350 CUBIC INCH ENGINE

BULLETIN 9C-3090  
 DATE: July, 1978  
 PAGE 1  
 Replaces 9C-3090  
 Dated January 1975

PARTS SHOWN ARE FOR IDENTIFICATION ONLY. CONSULT PARTS LIST FOR CORRECT PART NAME AND NUMBER



AIR HORN PARTS

CHOKE PARTS

FLOAT BOWL PART

THROTTLE BODY PARTS

PARTS IN ALL COLUMNS SAME – EXCEPT WHERE INDICATED

	FEDERAL HIGH PERF. AUTO. TRANS.	FEDERAL HIGH PERF. MAN. TRANS.	ALL AUTO. TRANS.	FEDERAL MAN. TRANS.	APPLICATION
	7045210	7045211	7045222	7045223	<b>CARBURETOR No.</b>
	24-3128	24-3077	24-3125	24-3081	<b>REPLACEMENT PACKAGE No.</b>
	17051931				<b>OVERHAUL KIT</b>
	9272				<b>POWER CARBURETOR KIT</b>
	40-431				<b>GASKET SET</b>
Illus. No.	AIR HORN PARTS				
1	17053202	17053202	17052228	17052228	Air Horn Assembly
2	7029912				Screw—Air Horn
3	7014699				Screw—Air Horn
4	7031105				Screw—Air Horn
5	7048169				Lever—Pump Actuating
6	9428787				Roll Pin—Pump and Lockout Levers
7	—				Screw—Idle Vent Valve
8	—				Valve—Idle Vent
9	—				Idle Vent Valve Kit
10	7045779				Metering Rod—Secondary
11	7042998				Gasket—Air Horn
12	—				Lockout Lever—Air Valve
13	7034522				Secondary Metering Rod Holder Kit
—	7035344				Air Valve Spring and Cam Kit

	7045210	7045211	7045222	7045223	CARBURETOR No.
Illus. No.	CHOKE PARTS				
14	7038259				Choke Shaft and Lever Assembly
15	7029866				Screw—Choke Valve
16	7048904				Choke Valve
17	17050732				Screw—Vacuum Break Control
18	17053201	17053201	17050759	17050759	Vacuum Break Control and Bracket Assembly
19	17051176				Cam—Fast Idle
20	7043682				Screw—Aux. Vac. Brk. Mounting
21	7026339				Hose—Vacuum
22	7041527				Rod—Vacuum Break
—	7031231				Intermediate Choke Rod
23	7043447				Lever—Intermediate Choke
24	7037557				Rod—Choke
25	7041499				Lever—Choke Coil
26	17050756				Vacuum Break Control & Brkt. Assy. Aux.
27	17050961				Gasket Stat Cover
28	17051918				Stat Cover—Coil & Gasket Assy.
29	17055545				Choke Housing Kit
30	17051193				Intermediate Choke Shaft & Lever
31	7037569				Seal Inter Choke Shaft
32	7043367				Seal—Choke Housing to Bowl
33	7019709				Screw—Coil Lever
34	7038808				Screw—Choke Housing to Bowl
35	7041542				Lever—Choke
36	7029866				Screw—Choke Lever
37	7000614				Retainer—Stat Cover (3)
38	7011270				Screw—Stat Cover (3)
	FLOAT BOWL PARTS				
39	17052630				Float Bowl Assembly
40	17051374				Pump Assembly
41	7041169				Spring—Pump Return
42	7041468				Float Assembly
43	7041469				Hinge Pin—Float
44	7033751				Pull Clip—Float Needle
45	30-134				Needle and Seat Assembly
45A	KIT ONLY				Gasket—Needle Seat
46	7041459				Spring—Metering Rod—Primary
47	7031365				Baffle Plate—Float Bowl
48	17051344	17051344	17051346	17051346	Metering Rod—Primary
49	7031972				Metering Jet—Primary
50	7041460				Power Piston Assembly
51	7041471				Insert—Float Bowl
52	7029849				Retainer—Pump Discharge Ball
53	7002117				Ball—Pump Discharge
54	17052057				Spring—Power Piston
55	—				Clip—Pump Rod
56	7041473				Lockout Lever—Secondary
57	7048873				Filter Nut—Fuel Inlet
58	7024281				Gasket—Inlet Nut
59	—				Gasket—Filter
60	GF-441				Filter—Fuel Inlet
61	7030588				Spring—Inlet Filter
62	7026138				Rod—Pump
63	7002121				Screw—Idle Stop
64	7003176				Spring—Idle Stop Screw
65	17053049				A.P.T. Rod Assembly
66	—				Aneroid Assembly
	THROTTLE BODY PARTS				
67	7036079				Screw—Fast Idle Levers Attaching
68	7041498				Lever—Fast Idle
69	7029900				Spring—Fast Idle Screw
70	7044794				Screw—Fast Idle Adjusting
71	7041497				Lever—Cam Follower
72	KIT ONLY				Gasket—Throttle Body
73	7011479				Spring—Idle Needle
74	7048531				Idle Needle
75	7035790				Screw—Throttle Body
76	17051494				Spring—Cam Follower Lever
77	17051923	17051923	17052239	17052239	Throttle Body Assembly
78	372506				Insulator—Flange





# Delco Carburetor

MODEL M4MC QUADRAJET

## 1975 CHEVROLET, CHEVELLE, MONTE CARLO

350-400-454 CUBIC INCH ENGINE

BULLETIN 9C-3091

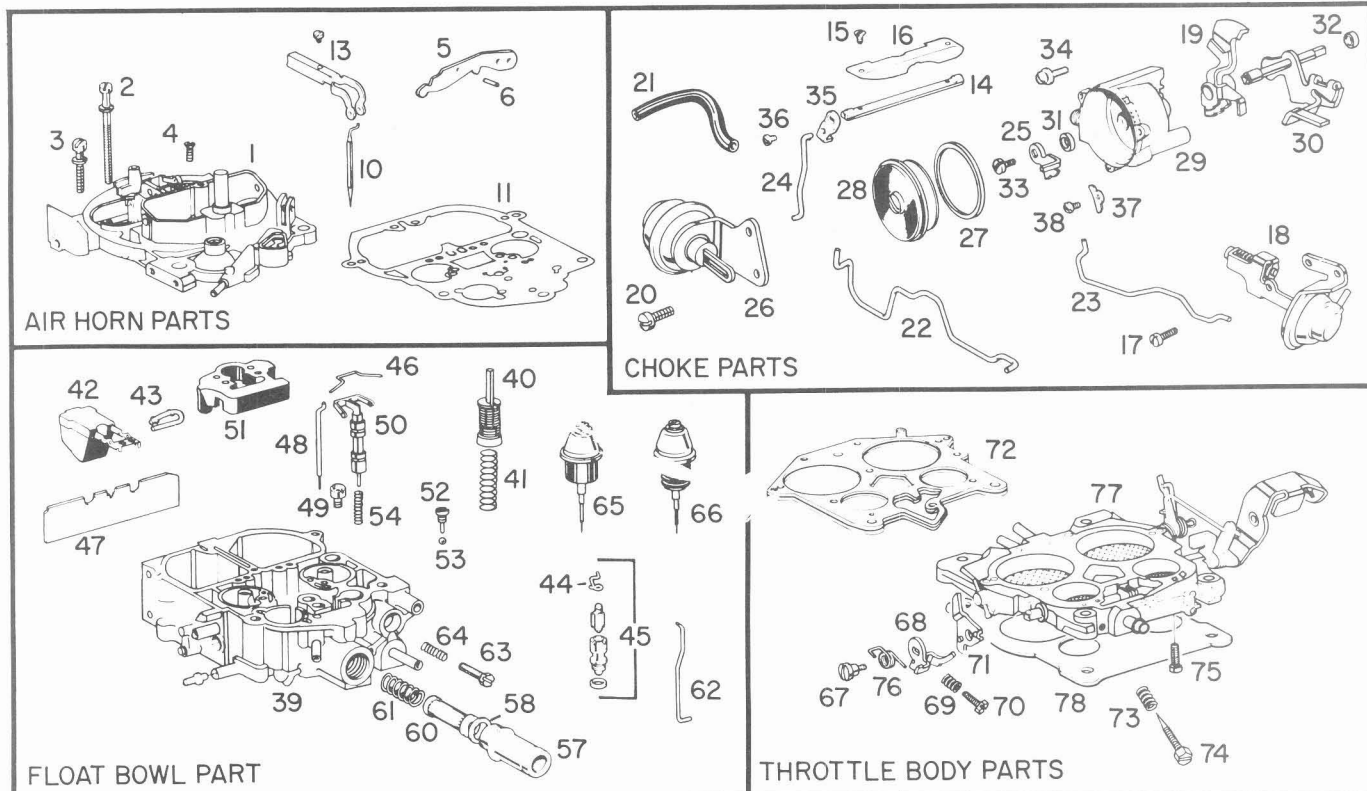
DATE: July, 1978

PAGE 1

Replaces 9C-3091

Dated January 1975

PARTS SHOWN ARE FOR IDENTIFICATION ONLY. CONSULT PARTS LIST FOR CORRECT PART NAME AND NUMBER



AIR HORN PARTS

CHOKE PARTS

FLOAT BOWL PART

THROTTLE BODY PARTS

**PARTS IN ALL COLUMNS SAME – EXCEPT WHERE INDICATED**

Illus. No.	FEDERAL		CALIFORNIA		APPLICATION
	454 CU. IN. AUTO. TRANS.	400 CU. IN. AUTO. TRANS.	400 CU. IN. AUTO. TRANS.	350 CU. IN. AUTO. TRANS.	
	7045200	7045228	7045224	7045504	CARBURETOR No.
	24-3085	24-3126	24-3083	24-3126	REPLACEMENT PACKAGE No.
	17052644	17052635	17051931	17051931	OVERHAUL KIT
	9272				POWER CARBURETOR KIT
	40-431				GASKET SET
	AIR HORN PARTS				
1	17051362	17052053	17052053	17052228	Air Horn Assembly
2	7029912				Screw—Air Horn
3	7014699				Screw—Air Horn
4	7031105				Screw—Air Horn
5	7048169				Lever—Pump Actuating
6	9428787				Roll Pin—Pump and Lockout Levers
7	—				Screw—Idle Vent Valve
8	—				Valve—Idle Vent
9	—				Idle Vent Valve Kit
10	7045780	7048892	7048892	7045779	Metering Rod—Secondary
11	7042998				Gasket—Air Horn
12	—				Lockout Lever—Air Valve
13	7034522				Secondary Metering Rod Holder Kit
—	7035344				Air Valve Spring and Cam Kit

	7045200	7045228	7045224	7045504	CARBURETOR No.
Illus. No.	CHOKE PARTS				
14	7038259				Choke Shaft
15	7029866				Screw—Choke Valve
16	7048904				Choke Valve
17	17050732				Screw—Vacuum Break Control
18	7041534	17050759	17050759	17050759	Vacuum Break Control and Bracket Assembly
19	7042922	17051176	17051176	17051176	Cam—Fast Idle
20	7043682				Screw—Aux. Vac. Brk. Mounting
21	7026339				Hose—Vacuum
22	7041527				Rod—Vacuum Break
—	7031231				Lever—Intermediate Choke
23	7041496	7043447	7043447	7043447	Link—Aux. Vac. Break
24	7041472				Rod—Choke
25	7043368	7041499	7041499	7041499	Lever—Choke Coil
26	17051155	17050756	17050756	17050756	Vacuum Break Control & Brkt. Assy. Aux.
27	17050961				Gasket—Stat Cover
28	17052640	17055545	17055545	17055545	Stat Cover—Coil & Gasket Assy.
29	17051908	17051917	17051917	17051917	Choke Housing Kit
30	17050754	17051193	17051193	17051193	Intermediate Choke Shaft & Lever
31	7037569				Seal—Inter Choke Shaft
32	7043367				Seal—Choke Housing To Bowl
33	7019709				Screw—Coil Lever
34	7038808				Screw—Choke Housing to Bowl
35	7041542				Lever—Choke
36	7029866				Screw—Choke Lever
37	7000614				Retainer—Stat Cover (3)
38	7011270				Screw—Stat Cover(3)
	FLOAT BOWL PARTS				
39	17052641	17052634	17052634	17052630	Float Bowl Assembly
40	17051374				Pump Assembly
41	7042979				Spring—Pump Return
42	7041468				Float Assembly
43	7041469				Hinge Pin—Float
44	7033751				Pull Clip—Float Needle
45	30-134				Needle and Seat Assembly
45A	KIT ONLY				Gasket—Needle Seat
46	7041459				Spring—Metering Rod—Primary
47	7031365				Baffle Plate—Float Bowl
48	7043543	17051347	17051346	17051346	Metering Rod—Primary
49	7031976	7031971	7031971	7031972	Metering Jet—Primary
50	7041460				Power Piston Assembly
51	7041471				Insert—Float Bowl
52	7029849				Retainer—Pump Discharge Ball
53	7002117				Ball—Pump Discharge
54	7041477	17052057	7037851	7037851	Spring—Power Piston
55	—				Clip—Pump Rod
56	7041473				Lockout Lever—Secondary
57	7048873				Filter Nut—Fuel Inlet
58	7024281				Gasket—Inlet Nut
59	—				Gasket—Filter
60	GF-441				Filter—Fuel Inlet
61	7030588				Spring—Inlet Filter
62	7026138				Rod—Pump
63	7002121				Screw—Idle Stop
64	7003176				Spring—Idle Stop Screw
65	17053049	17053049	17053049	NONE	A.P.T. Rod Assy.
66	NONE	NONE	NONE	17052235	Aneroid Assy.
—	—				Locking Washer—Retaining Nut
—	1997437	NONE	NONE	NONE	Solenoid & Bracket Assy.
—	7043682	NONE	NONE	NONE	Screw Bracket Attaching
	THROTTLE BODY PARTS				
67	7036079				Screw—Fast Idle Levers Attaching
68	7041498				Lever—Fast Idle
69	7029900				Spring—Fast Idle Screw
70	7044794				Screw—Fast Idle Adjusting
71	7041497				Lever—Cam Follower
72	KIT ONLY				Gasket—Throttle Body
73	7011479				Spring—Idle Needle
74	7048532	7048531	7048531	7048531	Idle Needle
75	7035790				Screw—Throttle Body
76	17051494				Spring—Cam Follower Lever
77	17052643	17052061	17052061	17051923	Throttle Body Assembly
78	372506				Insulator—Flange



# Delco Carburetor

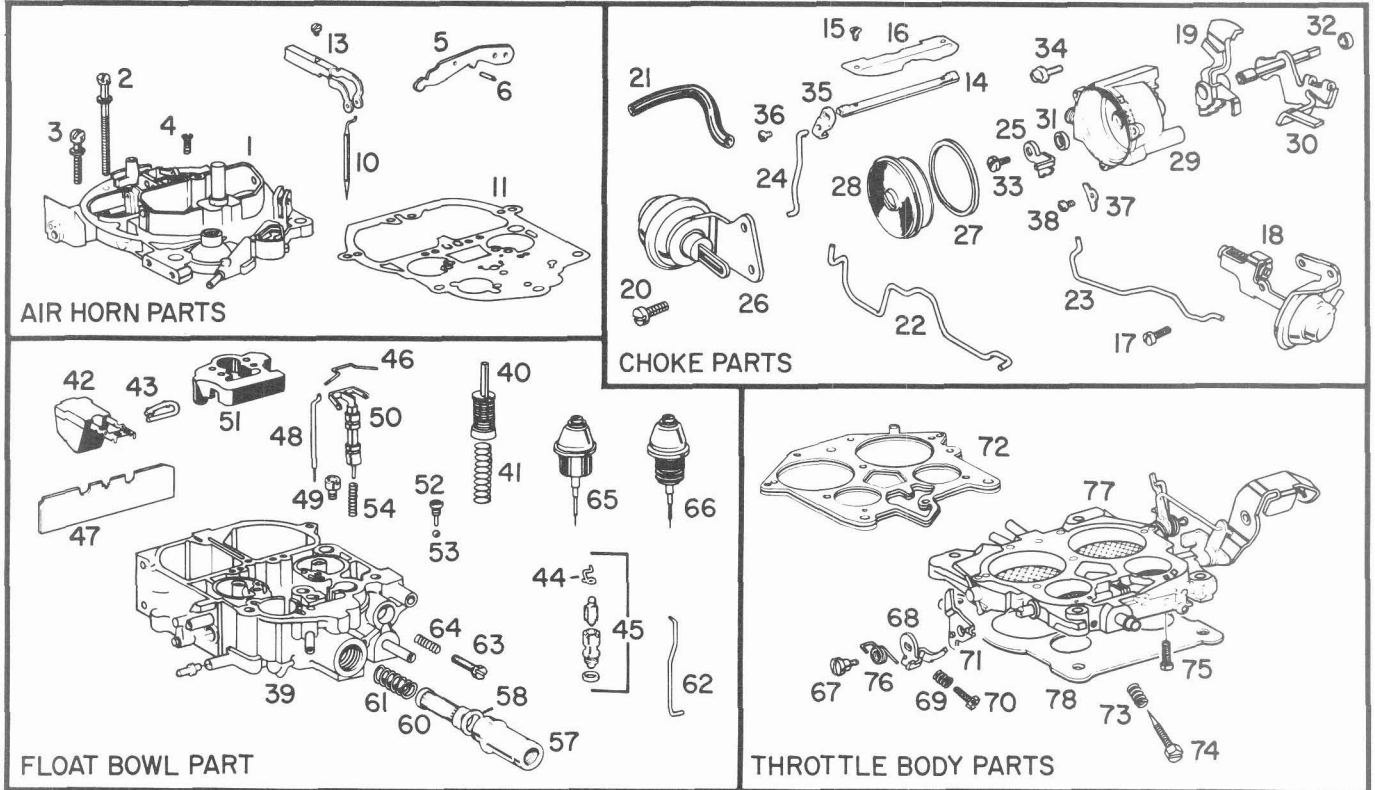
## MODEL M4MC QUADRAJET

### 1975 CHEVROLET CHEVELLE MONTE CARLO

CANADA ONLY  
350-454 CUBIC INCH ENGINE

BULLETIN 9C-3092  
DATE: July, 1978  
PAGE 1  
Replaces 9C-3092  
Dated November 1975

PARTS SHOWN ARE FOR IDENTIFICATION ONLY. CONSULT PARTS LIST FOR CORRECT PART NAME AND NUMBER



**PARTS IN ALL COLUMNS SAME — EXCEPT WHERE INDICATED**

	350 CU. IN. CANADA ONLY AUTO. TRANS.	454 CU. IN. CANADA ONLY AUTO. TRANS.	APPLICATION
	<b>7045294</b>	<b>7045221</b>	<b>CARBURETOR No.</b>
	<b>24-3088</b>	<b>24-3116</b>	<b>REPLACEMENT PACKAGE No.</b>
	17051931	17052645	OVERHAUL KIT
	9272		POWER CARBURETOR KIT
	40-431		GASKET SET
<b>Illus. No.</b>	<b>AIR HORN PARTS</b>		
1	17052228	17053235	Air Horn Assembly
2	7029912	7029912	Screw—Air Horn
3	7014699	7014699	Screw—Air Horn
4	7031105	7031105	Screw—Air Horn
5	7048169	7048169	Lever—Pump Actuating
6	9428787	9428787	Roll Pin—Pump and Lockout Levers
7	—	—	Screw—Idle Vent Valve
8	—	—	Valve—Idle Vent
9	—	—	Idle Vent Valve Kit
10	7045779	7045780	Metering Rod—Secondary
11	7042998	7042998	Gasket—Air Horn
12	—	—	Lockout Lever—Air Valve
13	7034522	7034522	Secondary Metering Rod Holder Kit
—	7035344	7035344	Air Valve Spring and Cam Kit

	7045294	7045221	CARBURETOR No.
Illus. No.	CHOKE PARTS		
14	7038259		Choke Shaft and Lever Assembly
15	7029866		Screw—Choke Valve
16	7048904		Choke Valve
17	17050732		Screw—Vacuum Break Control
18	17050759	7041534	Vacuum Break Control and Bracket Assembly
19	17051176	7042922	Cam—Fast Idle
20	7043682		Screw—Aux. Vac. Brk. Mounting
21	7026339		Hose—Vacuum
22	7041527		Rod—Vacuum Break
23	7043447	7041496	Link—Aux. Vac. Break
24	7041472		Rod—Choke
25	7041499	7043368	Lever—Choke Coil
26	17050756	17051155	Vacuum Break Control & Bracket Assy. Aux.
27	17050961		Gasket—Stat Cover
28	17051918	17052640	Stat Cover—Coil & Gasket Assy.
29	17055545	17054313	Choke Housing Kit
30	17051193	17050754	Intermediate Choke Shaft & Lever
31	7037569		Seal Inter. Choke Shaft
32	7043367		Seal—Choke Housing to Bowl
33	7019709		Screw—Coil Lever
34	7038808		Screw—Choke Housing to Bowl
35	7041542		Lever—Choke
36	7029866		Screw—Choke Lever
37	7000614		Retainer—Stat Cover (3)
38	7011270		Screw—Stat Cover (3)
	FLOAT BOWL PARTS		
39	17052630	17052641	Float Bowl Assembly
40	17051374		Pump Assembly
41	7042979		Spring—Pump Return
42	7041468		Float Assembly
43	7041469		Hinge Pin—Float
44	7033751		Pull Clip—Float Needle
45	30-134		Needle and Seat Assembly
45A	KIT ONLY		Gasket—Needle Seat
46	7041459		Spring—Metering Rod—Primary
47	7031365		Baffle Plate—Float Bowl
48	17051346	7043538	Metering Rod—Primary
49	7031972	7031970	Metering Jet—Primary
50	7041460		Power Piston Assembly
51	7041471		Insert—Float Bowl
52	7029849		Retainer—Pump Discharge Ball
53	7002117		Ball—Pump Discharge
54	17052057	7041477	Spring—Power Piston
55	—		Screw—Solenoid Attaching
56	7041473		Lockout Lever—Secondary
57	17051254		Filter Nut—Fuel Inlet
58	7024281		Gasket—Inlet Nut
59	—		Gasket—Filter
60	GF-441		Filter—Fuel Inlet
61	7043568		Spring—Inlet Filter
62	7026138		Rod—Pump
63	7002121		Screw—Idle Stop
64	7003176		Spring—Idle Stop Screw
65	17053049		A.P.T. Rod Assembly
—	NONE	*1997437	Solenoid & Bracket Assembly (See Note)
	THROTTLE BODY PARTS		
67	7036079		Screw—Fast Idle Levers Attaching
68	7041498		Lever—Fast Idle
69	7029900		Spring—Fast Idle Screw
70	7044794		Screw—Fast Idle Adjusting
71	7041497		Lever—Cam Follower
72	KIT ONLY		Gasket—Throttle Body
73	7011479		Spring—Idle Needle
74	7048531	7048532	Idle Needle
75	7035790		Screw—Throttle Body
76	17051494		Spring—Cam Follower Lever
77	17051923	17053134	Throttle Body Assembly
78	372506		Insulator—Flange

NOTE: \*Available Through DELCO—REMY

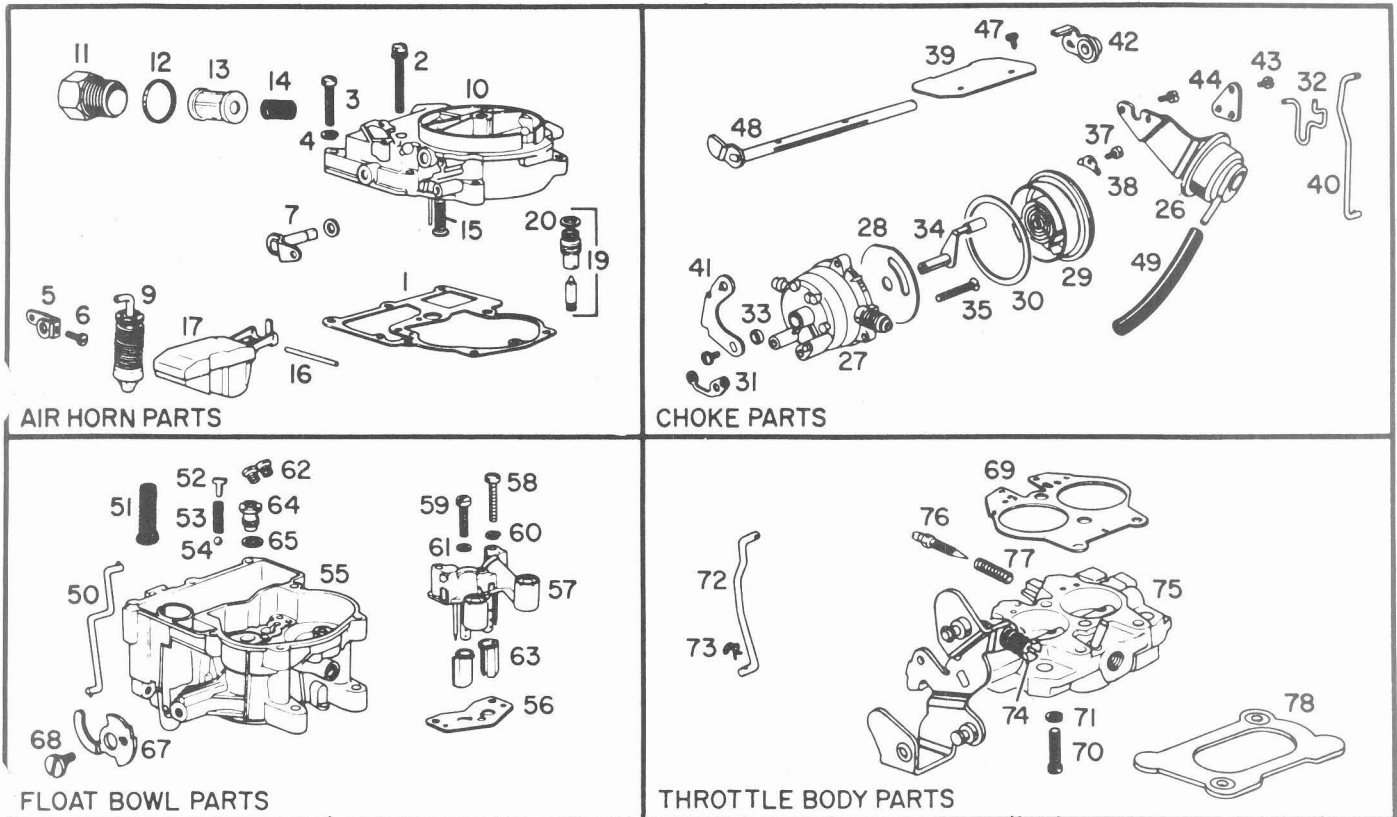


# Delco Carburetor

BULLETIN 9C-3167  
DATE: SEPTEMBER 1979  
PAGE 1

**MODEL 2GC CARBURETORS  
1975-76 CHEVROLET MONZA, NOVA,  
MONTE CARLO, CAMARO  
262-305 CUBIC INCH ENGINE**

A-Malibu; ASP-Monte Carlo; B-Impala, Caprice; F-Camaro; HSP-Monza; T-Chevette; X-Nova; Y-Corvette



PARTS SHOWN ARE FOR IDENTIFICATION ONLY. CONSULT PARTS LIST FOR CORRECT PART NAME AND NUMBER

### PARTS IN ALL COLUMNS SAME — EXCEPT WHERE INDICATED

	HSP 1976 262-CU. IN. CHEVROLET  ALL TRANS.	ASP, X, F 1976 305-CU. IN. CHEVROLET FED. & CALIF. ALL TRANS.	HSP, X 1975 262-CU. IN. CHEVROLET FEDERAL ALL TRANS.	APPLICATION
	<b>17054662</b>	<b>17055021</b>	<b>17055077</b>	<b>CARBURETOR No.</b>
	<b>22-3111</b>	<b>22-3123</b>	<b>22-3127</b>	<b>REPLACEMENT PKG. No.</b>
	17052979	17053830	N.S.S.	OVERHAUL KIT
	9297	9303	9308	POWER CARBURETOR KIT
	40-448			GASKET SET
Illus. No.	AIR HORN PARTS			
1	7045671			Gasket—Air Horn
2	7010432			Screw—Air Horn—Long
3	7006119			Screw—Air Horn—Short
4	—			Lockwasher—Air Horn Screw
5	7032377			Pump Lever—Inside
6	7011270			Screw—Pump Lever
7	7044029	7044029	17050230	Pump Shaft & Lever Assembly
—	7019568			Washer—Pump Shaft
8	—			Clip—Pump
9	7036282	7036282	7046028	Pump Assembly
10	17065256			Air Horn Assembly
11	17053408	17051765	7040958	Filter Nut—Fuel Inlet
12	7032508			Gasket—Filter Nut
13	GF-470	GF-470	7013404	Filter—Fuel Inlet
14	17051764	7032732	17051764	Spring—Fuel Inlet Filter
15	7009054	7006323	7006323	Power Piston Assembly
16	7002081			Pin—Float Hinge
17	7037512			Float Assembly
18	7044032	NONE	9432245	Elbow—Filter Nut

	17054662	17055021	17055077	CARBURETOR No.
Illus. No.	AIR HORN PARTS (CONTINUED)			
19	7035144	7035132	7035144	Needle & Seat Assy.
20	KIT ONLY			Gasket—Needle Seat
21	—			Shield—Idle Vent
22	—			Idle Vent Valve Kit
23	—	—	7013584	*Gasket—Fuel Filter
—	KIT ONLY	KIT ONLY	—	*Gasket—Air Cleaner
	CHOKE PARTS			
25	—			Vacuum Break Control Assembly
26	7044056	7044056	17052732	Vacuum Brk. Cont. & Brkt. Assy.
—	7037570			Screw—Control Attaching
27	17055540			Choke Housing
28	7037239			Baffle Plate
29	17052654	17052654	17052784	Stat Cover, Coil & Gkt. Assy.
30	17050961			Gasket—Stat Cover
31	7043291			Gasket—Choke Housing
32	7040239			Link—Vacuum Break
33	7037569			Dust Seal—Inter. Choke Shaft
34	7043289			Intermediate Choke Shaft Assy.
35	7043292			Screw—Choke Housing
36	—			Cam Lever & Bushing Assembly
37	7011270			Screw—Stat Cover
38	7000614			Retainer—Stat Cover
39	7033443			Valve—Choke
40	17050270			Rod—Intermediate Choke
41	17050266			Lever—Intermediate Choke
42	17050766			Lever—Choke
43	7019709			Screw—Choke Levers
44	17050271			Lever—Choke Shaft
45	—			
46	—			Washer—Cam
47	7007627			Screw—Choke Valve
48	7047797			Choke Shaft Assy.
49	7026339			Hose—Vacuum
50	7043370			Rod—Choke
	FLOAT BOWL PARTS			
51	7041141			Spring—Pump Return
—	7002120			Ball—Pump Inlet Check
—	—			Strainer—Pump Inlet
52	KIT ONLY			Guide—Pump Discharge
53	7002118			Spring—Pump Discharge
54	7002117			Ball—Pump Discharge
55	17054015	17052653	N.S.S.	Float Bowl Assembly
56	KIT ONLY			Gasket—Venturi Cluster
57	17053672	17053672	17053145	Venturi Cluster Assembly
58	7045762			Screw—Venturi Cluster—Outer
59	7009077			Screw—Cluster—Center
60	—			Lockwasher—Outer Screws
61	KIT ONLY			Gasket—Center Screw
62	7002652	7002652	7002646	Jet—Standard (See Note)
63	7040320			Insert—Main Well
64	7011989	7011989	7017950	Power Valve Assembly
65	KIT ONLY			Gasket—Power Valve
66	—			
67	7044039	7044039	7043369	Cam—Fast Idle
68	7036222			Screw—Cam Attaching
—	7044300	NONE	NONE	Solenoid—Idle Stop
—	7042818	NONE	NONE	Bracket & Washer Assy.
—	7042654	NONE	NONE	Nut—Solenoid Retaining
—	7043682	NONE	NONE	Screw—Bracket Attaching
	THROTTLE BODY PARTS			
69	KIT ONLY			Gasket—Throttle Body
70	7015104			Screw—Throttle Body
71	—			Lockwasher—Thr. Body Screws
72	7041249	7041249	17050277	Rod—Pump
73	7018186			Clip—Pump Rod
74	7029427			Idle Stop Screw
—	7041519			Spring—Idle Stop Screw
75	N.S.S.	17052981	17052788	Throttle Body Assembly
76	7048860			Idle Needle
77	7011479			Spring—Idle Needle
78	6271058			Insulator—Flange

N.S.S. = Not Serviced Separately



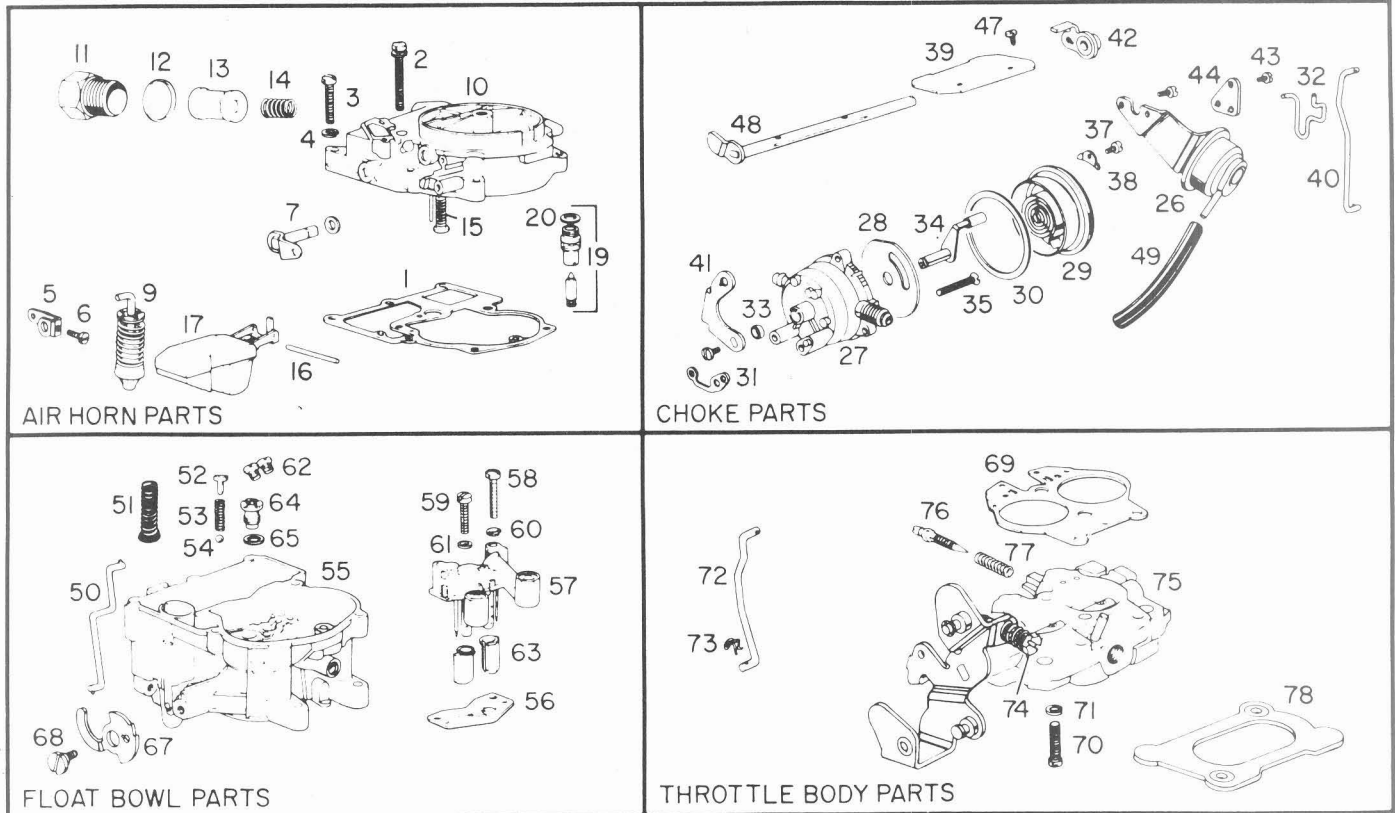
# Delco Carburetor

BULLETIN: 9C-3175  
 DATE: SEPTEMBER 1979  
 PAGE 1

## MODEL 2GC CARBURETORS

### 1975 CHEVROLET MONZA 350 CUBIC INCH ENGINE

A-Malibu; ASP-Monte Carlo; B-Impala, Caprice; F-Camaro; HSP-Monza; T-Chevette; X-Nova; Y-Corvette



PARTS SHOWN ARE FOR IDENTIFICATION ONLY. CONSULT PARTS LIST FOR CORRECT PART NAME AND NUMBER

**PARTS IN ALL COLUMNS SAME — EXCEPT WHERE INDICATED**

Illus. No.	CALIFORNIA AUTO TRANS.	APPLICATION
	17057368	CARBURETOR No.
	22-3179	REPLACEMENT PKG. No.
	17053999	OVERHAUL KIT
	9308	POWER CARBURETOR KIT
	40-438	GASKET SET
	<b>AIR HORN PARTS</b>	
1	7045671	Gasket—Air Horn
2	7010432	Screw—Air Horn—Long
3	7006119	Screw—Air Horn—Short
4	120217	Lockwasher—Air Horn Screw
5	7032377	Pump Lever—Inside
6	7011270	Screw—Pump Lever
7	17050230	Pump Shaft & Lever Assembly
—	7019568	Washer—Pump Shaft
8	—	Clip—Pump
9	7046028	Pump Assembly
10	17065256	Air Horn Assembly
11	7040958	Filter Nut—Fuel Inlet
12	7032508	Gasket—Filter Nut
13	7013404	Filter—Fuel Inlet
14	17051764	Spring—Fuel Inlet Filter
15	7006323	Power Piston Assembly
16	7002081	Pin—Float Hinge
17	7037512	Float Assembly
18	—	Elbow—Filter Nut

17057368		CARBURETOR No.
Illus. No.	AIR HORN PARTS (Continued)	
19	7035144	Needle & Seat Assy.
20	KIT ONLY	Gasket—Needle Seat
21	—	Shield—Idle Vent
22	7031584	Gasket—Fuel Filter
23	—	Screw—Idle Vent Valve
24	—	Idle Vent Valve
CHOKE PARTS		
25	—	Vacuum Break Control Assembly
26	17052732	Vacuum Break Kit
—	7037570	Screw—Control Attaching
27	17055540	Choke Housing
28	7037239	Baffle Plate
29	17052654	Stat Cover, Coil & Gasket Assy.
30	17050961	Gasket—Stat Cover
31	7043291	Gasket—Choke Housing
32	7040239	Link—Vacuum Break
33	7037569	Dust Seal—Inter. Choke Shaft
34	7043289	Intermediate Choke Shaft Assy.
35	7043292	Screw—Choke Housing
36	17050766	Cam Lever & Bushing Assembly
37	7011270	Screw—Stat Cover
38	7000614	Retainer—Stat Cover
39	7033443	Choke Valve
40	17050270	Intermediate Choke Rod
41	17050266	Intermediate Choke Lever
42	17050766	Lever Choke
43	7019709	Screw—Choke Levers
44	17050271	Lever—Choke Shaft
45	—	
46	—	Washer—Cam
47	7007627	Screw—Choke Valve
48	7047797	Choke Shaft Assy.
49	7026339	Hose—Vacuum
50	7043370	Rod—Choke
FLOAT BOWL PARTS		
51	7041141	Spring—Pump Return
—	7002120	Ball—Pump Inlet Check
—	—	Strainer—Pump Inlet
52	7000286	Guide—Pump Discharge
53	7002118	Spring—Pump Discharge
54	7002117	Ball—Pump Discharge
55	17065229	Float Bowl Assembly
56	KIT ONLY	Gasket—Venturi Cluster
57	17056636	Venturi Cluster Assembly
58	7045762	Screw—Venturi Cluster—Outer
59	7009077	Screw—Cluster—Center
60	—	Lockwasher—Outer Screws
61	KIT ONLY	Gasket—Center Screw
62	7002650	Jet—Standard (See Note)
63	7040320	Insert—Main Well
64	7011989	Power Valve Assembly
65	KIT ONLY	Gasket—Power Valve
66	—	
67	7043369	Cam—Fast Idle
68	7036222	Screw—Cam Attaching
THROTTLE BODY PARTS		
69	KIT ONLY	Gasket—Throttle Body
70	7015105	Screw—Throttle Body
71	—	Lockwasher—Throttle Body Screws
72	17050277	Rod—Pump
73	7018186	Clip—Pump Rod
74	7029427	Idle Stop Screw
—	7041519	Spring—Idle Stop Screw
75	17052723	Throttle Body Assembly
76	7048860	Idle Needle
77	7011479	Spring—Idle Needle
78	6271058	Insulator—Flange