



# Delco Carburetor

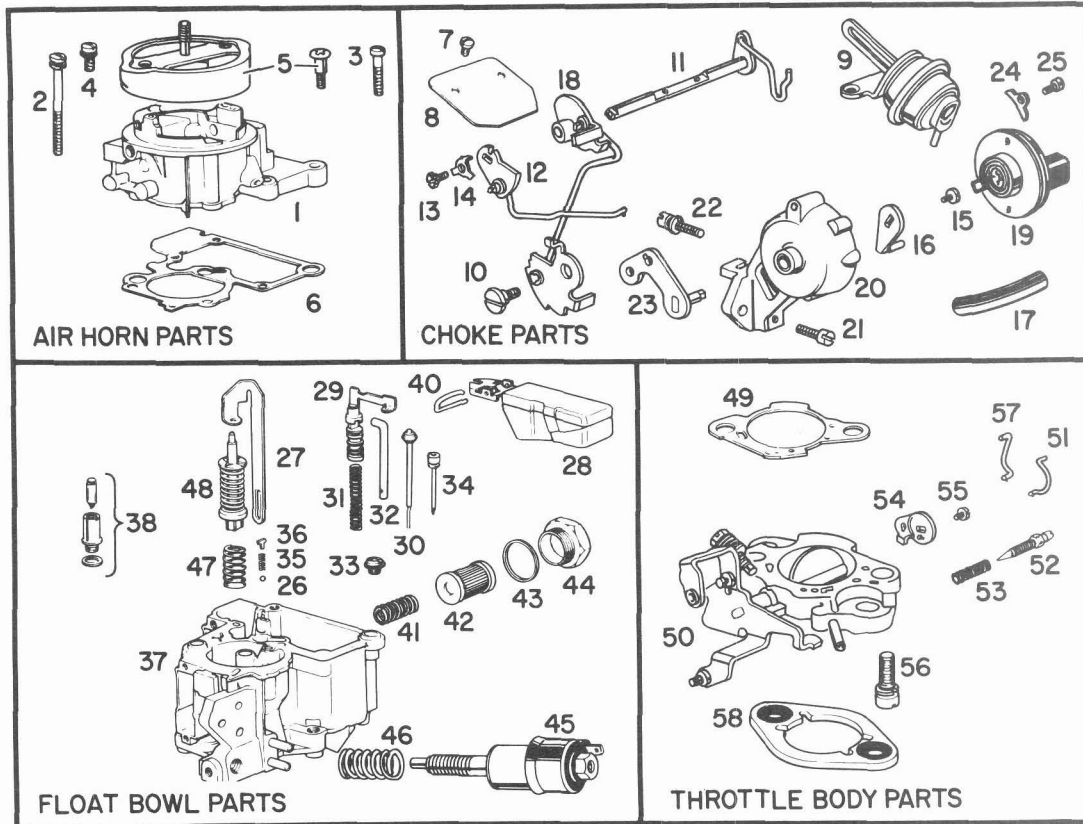
## MODEL 1ME MONOJET

### 1976 CHEVROLET CHEVETTE

#### 85 CUBIC INCH "4"

BULLETIN 9C-3093  
 DATE: July, 1978  
 PAGE 1  
 Replaces 9C-3093  
 Dated November 1975

PARTS SHOWN ARE FOR IDENTIFICATION ONLY. CONSULT PARTS LIST FOR CORRECT PART NAME AND NUMBER



**PARTS IN ALL COLUMNS SAME — EXCEPT WHERE INDICATED**

	FEDERAL AUTO. TRANS.	FEDERAL MAN. TRANS.	CALIFORNIA AUTO. TRANS.	CALIFORNIA MAN. TRANS.	APPLICATION
	<b>17056030</b>	<b>17056031</b>	<b>17056330</b>	<b>17056331</b>	<b>CARBURETOR No. (Non Air Cond.)</b>
	<b>17056036</b>	<b>17056031</b>	—	—	<b>CARBURETOR No. (Air Cond.)</b>
	<b>21-3112</b>	<b>21-3083</b>	<b>21-3112</b>	<b>21-3113</b>	<b>REPLACEMENT PACKAGE No.</b>
	17053832	17053832	17054008	17054008	OVERHAUL KIT
	9304				POWER CARBURETOR KIT
	40-451				GASKET SET
Illus. No.	AIR HORN PARTS				
1	17054202	17054202	17054198	17054202	Air Horn Kit
2	7043089				Screw—Air Horn (Long) (3)
3	7030917				Screw—Air Horn (Short) (2)
4	7043088				Screw—Air Horn (1)
5	17053835				Air Cleaner Adapter & Screw
6	7037591				Gasket—Air Horn
	CHOKE PARTS				
7	7020926				Screw—Choke Valve (2)
8	7049918				Choke Valve
9	17051663				Vacuum Break Control Assy.
10	7003561				Screw—Cam Attaching
11	17051610				Choke Shaft Lever & Link Assembly
12	17051676				Choke Lever & Link Assembly
13	17051681				Screw—Choke Lever Attaching
14	7044297				Washer—Choke Locking Screw
15	7019709				Screw—Stat Lever Attaching
16	7044088				Lever—Stat Coil
17	7026339				Hose—Vacuum Break
18	17053644				Cam Lever & Link Assy.

	17056030	17056031	17056330	17056331	CARBURETOR No. (Non Air Cond.)
	17056036	17056031	—	—	CARBURETOR No. (Air Con.)
Illus. No.	CHOKE PARTS (Continued)				
19	17053947				Electric Stat Cover & Coil Assy.
20	17051766				Choke Housing & Bearing Assy.
21	17051625				Screw—Choke Housing to Bowl (1)
22	17051626				Screw—Choke Housing to Bowl (2)
23	17051637				Choke Coil Lever & Shaft Assy.
24	7000614				Retainer—Choke Cover (3)
25	7011270				Screw—Choke Cover (3)
	FLOAT BOWL PARTS				
26	7002117				Ball—Pump Discharge
27	17056474				Lever—Pump Actuating
28	17051624				Float Assembly
29	17051619				Power Piston Assembly
30	17053551	17053551	17053548	17053548	Metering Rod & Spring Assembly
31	7044003				Spring—Power Piston
32	7044005				Rod—Power Piston
33	17053544				Jet—Main Metering
34	17053627				Idle Tube Assembly
35	7002118				Spring—Pump Discharge
36	7003838				Guide—Pump Discharge
37	17054203	17054203	17054203	17054208	Float Bowl Kit
38	30-153				Needle & Seat Assembly
39	KIT ONLY				Gasket—Needle Seat
40	7034032				Hinge Pin—Float
41	7032732				Spring—Fuel Filter
42	GF-470				Filter—Fuel Inlet
43	7032508				Gasket—Filter Nut
44	7038946				Filter Nut—Fuel Inlet
45	7040219				Solenoid—Idle Stop
46	7040519				Spring—Solenoid Locking
47	7004597				Spring—Pump Return
48	7048801				Pump Assembly
	THROTTLE BODY PARTS				
49	KIT ONLY				Gasket—Throttle Body
50	17054207	17054204	17054207	17054199	Throttle Body Kit
51	17054016				Link—Power Rod Kit
52	17053198				Idle Needle
53	7038989				Spring—Idle Needle
54	17051665				Lever—Pump & Power Rod
55	7010435				Screw—Lever Attaching
56	7043087				Screw—Throttle Body (2)
57	7035267				Link—Pump Lever
58	331124				Gasket—Flange



# Delco Carburetor

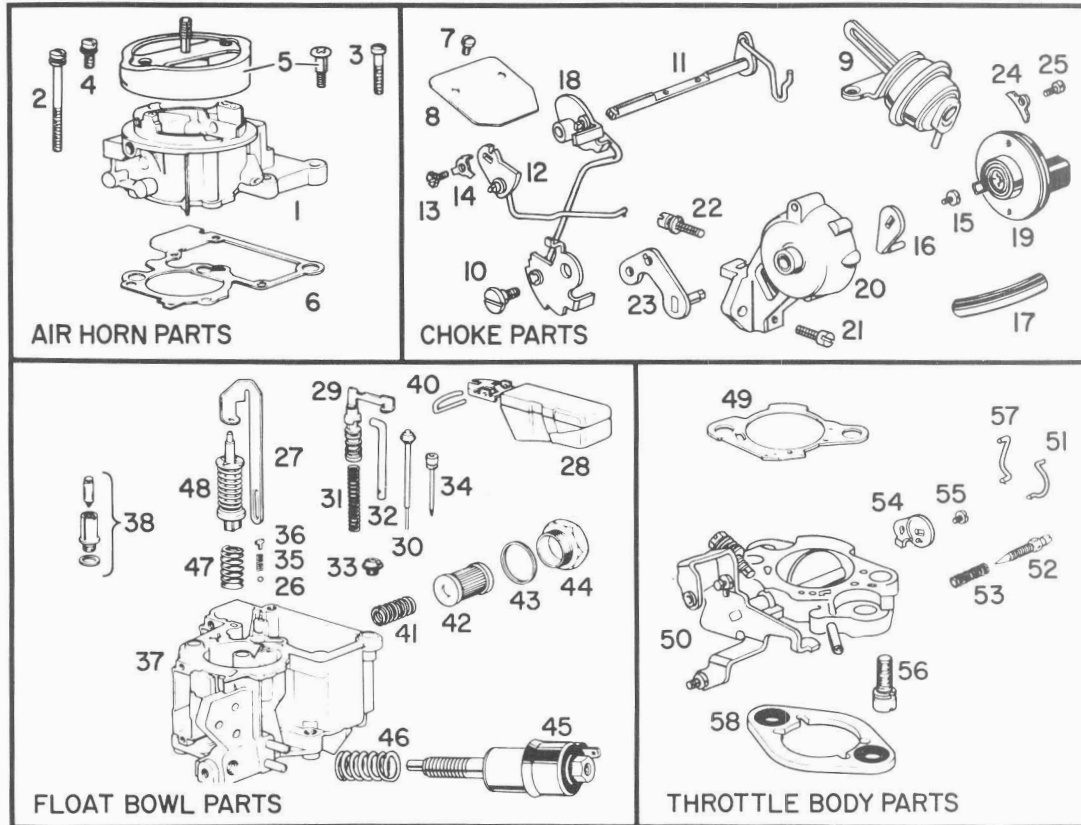
## MODEL 1ME MONOJET

### 1976 CHEVROLET CHEVETTE

#### 97.6 CUBIC INCH "4"

BULLETIN: 9C-3094  
 DATE: NOVEMBER 1976  
 PAGE: 1  
 REPLACES 9C-3094  
 DATED NOVEMBER 1975

PARTS SHOWN ARE FOR IDENTIFICATION ONLY. CONSULT PARTS LIST FOR CORRECT PART NAME AND NUMBER



### PARTS IN ALL COLUMNS SAME — EXCEPT WHERE INDICATED

	FEDERAL AUTO. TRANS.	FEDERAL MAN. TRANS.	CALIFORNIA AUTO. TRANS.	CALIFORNIA MAN. TRANS.	LATE-CALIF. MAN. TRANS.	APPLICATION
	17056034	17056035	17056334	17056335	17056339	CARBURETOR No. (Non Air Cond.)
	17056032	17056035	17056332	17056335	17056339	CARBURETOR No. (Air Con.)
	21-3080	21-3115	21-3080	21-3115	21-3115	REPLACEMENT PACKAGE No.
	17053839	17053839	17053832	17053839	17053839	OVERHAUL KIT
	9304					POWER CARBURETOR KIT
	40-451					GASKET SET
Illus. No.	AIR HORN PARTS					
1	17054205					Air Horn Kit
2	7043089					Screw—Air Horn (Long) (3)
3	7030917					Screw—Air Horn (Short) (2)
4	7043088					Screw—Air Horn (1)
5	17053835					Air-Cleaner Adapter & Screw
6	7037591					Gasket—Air Horn
	CHOKE PARTS					
7	7020926					Screw—Choke Valve (2)
8	7049918					Choke Valve
9	17051663					Vacuum Break Control Assy.
10	7003561					Screw—Cam Attaching
11	17051610					Choke Shaft Lver & Link Assy.
12	17051676					Choke Lever & Link Assembly
13	17051681					Screw—Choke Lever Attaching
14	7044297					Washer—Choke Locking Screw
15	7019709					Screw—Stat Lever Attaching
16	7044088					Lever—Stat Coil
17	7026339					Hose Vacuum Break
18	17053644					Cam Lever & Link Assy.

	17056034	17056035	17056334	17056335	17056339	CARBURETOR No. (Non Air Cond.)
	17056032	17056035	17056332	17056335	17056339	CARBURETOR No. (Air Cond.)
CHOKE PARTS (Continued)						
Illus. No.						
19	17053947					Electric Stat Cover & Coil Assy.
20	17051766					Choke Housing & Bearing Assy.
21	17051625					Screw—Choke Hsg. to Bowl (1)
22	17051626					Screw—Choke Hsg. to Bowl (2)
23	17051637					Choke Coil Lever & Shaft Assy.
24	7000614					Retainer—Choke Cover (3)
25	7011270					Screw—Choke Cover (3)
FLOAT BOWL PARTS						
26	7002117					Ball—Pump Discharge
27	7042670					Lever—Pump Actuating
28	17051624					Float Assembly
29	17051619					Power Piston Assembly
30	17051621	17051621	17051621	17051621	17053550	Metering Rod & Spring Assembly
31	7044003					Spring—Power Piston
32	7044005					Rod—Power Piston
33	17053545					Jet—Main Metering
34	17053627	17053627	17053627	17053627	17053628	Idle Tube Assembly
35	7002118					Spring—Pump Discharge
36	7003838					Guide—Pump Discharge
37	17054206					Float Bowl Kit
38	30-153					Needle & Seat Assembly
39	KIT ONLY					Gasket—Needle Seat
40	7034032					Hinge Pin—Float
41	7032732					Spring—Fuel Filter
42	GF-470					Filter—Fuel Inlet
43	7032508					Gasket—Filter Nut
44	7038946					Filter Nut—Fuel Inlet
45	7040219					Solenoid—Idle Stop
46	7040519					Spring—Solenoid Locking
47	7004597					Spring—Pump Return
48	7048801					Pump Assembly
THROTTLE BODY PARTS						
49	KIT ONLY					Gasket—Throttle Body
50	17054207	17054204	17054207	17054204	17054204	Throttle Body Kit
51	17054016					Link—Power Rod Kit
52	17053198					Idle Needle
53	7038989					Spring—Idle Needle
54	17051665					Lever—Pump & Power Rod
55	7010435					Screw—Lever Attaching
56	7043087					Screw—Throttle Body (2)
57	7035267					Link—Pump Lever
58	331124					Gasket—Flange



# Delco Carburetor

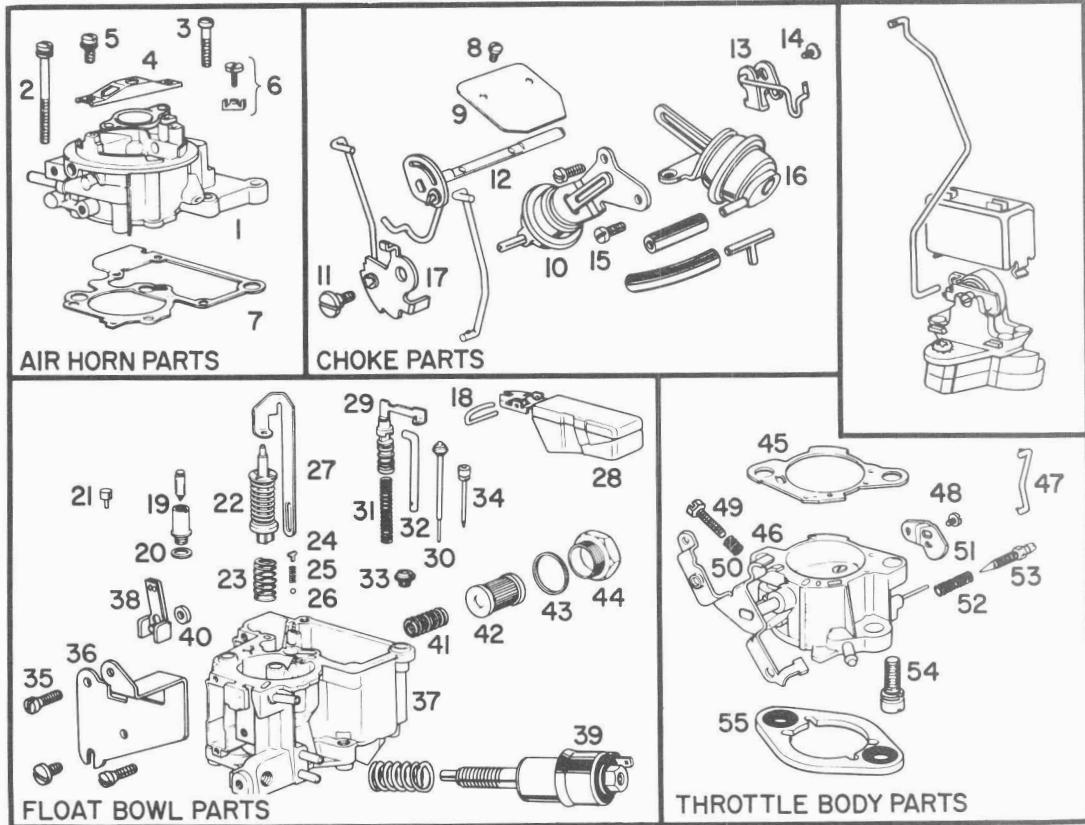
## MODEL 1MV MONOJET

### 1976 CHEVROLET VEGA & MONZA

#### 140 CUBIC INCH "4"

BULLETIN 9C-3095  
 DATE: July, 1978  
 PAGE 1  
 Replaces 9C-3095  
 Dated November 1975

PARTS SHOWN ARE FOR IDENTIFICATION ONLY. CONSULT PARTS LIST FOR CORRECT PART NAME AND NUMBER



**PARTS IN ALL COLUMNS SAME — EXCEPT WHERE INDICATED**

	AUTO. TRANS. FEDERAL	MAN. TRANS. FEDERAL	APPLICATION
	<b>17056022</b>	<b>17056023</b>	<b>CARBURETOR No. (Non Air Cond.)</b>
	<b>17056026</b>	<b>17056027</b>	<b>CARBURETOR No. (Air Cond.)</b>
	<b>21-3106</b>	<b>21-3106</b>	<b>REPLACEMENT PACKAGE No.</b>
	17052853		OVERHAUL KIT
	9290		POWER CARBURETOR KIT
	40-442		GASKET SET

Illus. No.	PARTS	DESCRIPTION
<b>AIR HORN PARTS</b>		
1	17050828	Air Horn Assembly
2	7043089	Screw—Air Horn (Long)
3	7030917	Screw—Air Horn (Short)
4	7043656	Bracket—Air Cleaner Stud
5	7042813	Screw—Bracket Attaching
6	—	Idle Vent Valve Kit
7	7040137	Gasket—Air Horn
<b>CHOKE PARTS</b>		
8	7020926	Screw—Choke Valve
9	7049918	Choke Valve
10	7044104	Aux. Vacuum Brk. Assy. Secondary
11	7003561	Screw—Cam Attaching
12	7043083	Choke Shaft Lever & Link Assembly
13	7041238	Choke Lever & Link Assembly
14	7019709	Screw—Choke Lever
15	7043095	Screw—Vac. Break Bracket
16	7043098	Vacuum Break Control Assembly Aux.
—	7026339	Hose Vacuum
17	17053085	Cam & Link Assy.

	17056022	17056023	CARBURETOR No. (Non Air Cond.)
	17056026	17056027	CARBURETOR No. (Air Cond.)
FLOAT BOWL PARTS			
Illus. No.			
18	7034032		Hinge Pin—Float
19	30-149		Needle and Seat Assembly
20	KIT ONLY		Gasket—Needle Seat
21	7042849		Power Valve
22	7045943		Pump Assembly
23	7004597		Spring—Pump Return
24	7003838		Guide—Pump Discharge
25	7002118		Spring—Pump Discharge
26	7002117		Ball—Pump Discharge
27	17056474		Lever—Pump Actuating
28	7037022		Float Assembly
29	—		Power Piston Assembly
30	—		Metering Rod & Spring Assembly
31	—		Spring—Power Piston
32	—		Rod—Power Piston
33	7034153		Jet—Main Metering
34	17052329	17052333	Idle Tube Assembly
35	7041272		Screw—Cover (Air Cond.)
36	7041512		Cover—Idle Compensator (Air Cond.)
37	17050666	7046966	Float Bowl Assembly
38	7035667	7035288	Idle Compensator Assembly (Air Cond.)
39	—		Screw—Slow Idle
40	7027970		Gasket—Idle Compensator (Air Cond.)
41	7032732		Spring—Fuel Filter
42	GF-470		Filter—Fuel Inlet
43	7032508		Gasket—Filter Nut
44	7038946		Filter Nut—Fuel Inlet
—	7040219		Solenoid—Idle Stop
—	7040519		Spring—Solenoid Locking
THROTTLE BODY PARTS			
45	KIT ONLY		Gasket—Throttle Body
46	17052469		Throttle Body Assembly
47	7040900		Link—Pump Lever
48	7010435		Screw—Lever Attaching
49	17050381		Screw—Fast Idle
50	7041519		Spring—Fast Idle Screw
51	7027005		Lever Pump Rod
52	7038989		Spring—Idle Needle
53	7048964		Idle Needle
54	7043087		Screw—Throttle Body
55	3983440		Gasket—Flange
—	331124		Insulator—Flange



# Delco Carburetor

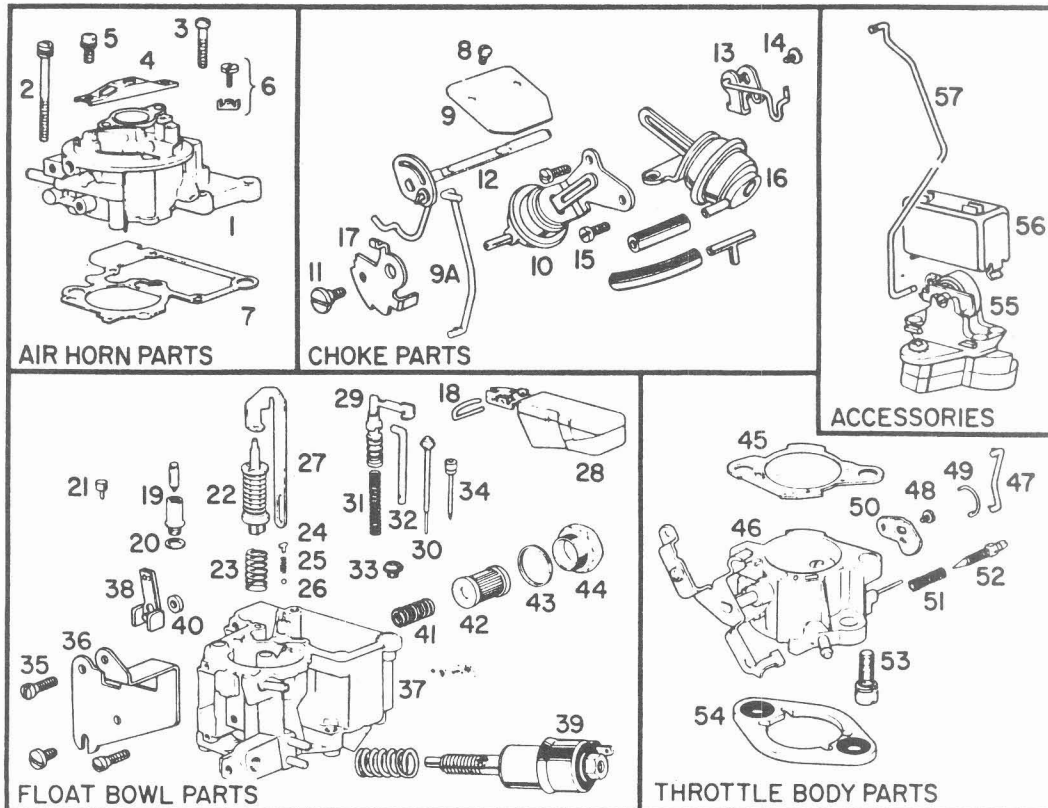
MODEL 1MV MONOJET

## 1976 CHEVROLET CHEVELLE, CAMARO, NOVA, EL CAMINO & SPRINT

250 CUBIC INCH ENGINE

BULLETIN 9C-3096  
DATE: July, 1978  
PAGE 1  
Replaces 9C-3096  
Dated November 1975

PARTS SHOWN ARE FOR IDENTIFICATION ONLY. CONSULT PARTS LIST FOR CORRECT PART NAME AND NUMBER



**PARTS IN ALL COLUMNS SAME — EXCEPT WHERE INDICATED**

Illus.	NON AIR COND. ALL	A/C & NON A/C ALL	AIR COND. NOVA CAMARO	A/C & NON A/C	APPLICATION
	AUTO. TRANS. FEDERAL	MAN. TRANS. FEDERAL	AUTO. TRANS. FEDERAL	AUTO. TRANS. CALIFORNIA	
	17056012	17056013	17056014	17056314	<b>CARBURETOR No.</b>
	21-3110	21-3149	21-3110	21-3149	<b>REPLACEMENT PACKAGE No.</b>
	17052899	17052898	17052899	17052970	OVERHAUL KIT
	9296				POWER CARBURETOR KIT
	40-447				GASKET SET
<b>AIR HORN PARTS</b>					
1	17053407	17053407	17053407	17050834	Air Horn Assembly
2	7043089				Screw—Air Horn (Long)
3	7030917				Screw—Air Horn (Short)
4	7043588				Bracket—Air Cleaner Stud
5	7042813				Screw—Bracket Attaching
6	—				Idle Vent Valve Kit
7	7035166				Gasket—Air Horn
<b>CHOKE PARTS</b>					
8	7020926				Screw—Choke Valve
9	17052251				Choke Valve
9A	7043131				Choke Rod
10	7043127				Vac. Break Control Sec.
11	7003561				Screw—Cam Attaching
12	7043099				Choke Shaft Lever & Link Assy.
13	17051769				Choke Lever & Link Assy.
14	7019709				Screw—Choke Lever
15	7043095				Screw—Vac. Break Bracket
16	17060445				Vacuum Break Control Assembly—Pri.
—	7026339				Hose—Vac. Break
17	17052358				Cam—Fast Idle

	17056012	17056013	17056014	17056314	CARBURETOR No.
Illus. No.	FLOAT BOWL PARTS				
18	7034032				Hinge Pin—Float
19	30-133				Needle and Seat Assembly
20	KIT ONLY				Gasket—Needle Seat
21	—				Power Valve
22	7037595				Pump Assembly
23	7041176				Spring—Pump Return
24	7003838				Guide—Pump Discharge
25	7002118				Spring—Pump Discharge
26	7002117				Ball—Pump Discharge
27	17056474				Lever—Pump Actuating
28	7037022				Float Assembly
29	7035889	7037804	7035889	7035889	Power Piston Assembly
30	17052052	7043775	17052052	17053799	Metering Rod & Spring Assembly
31	7034360	7034360	7034360	7012515	Spring—Power Piston
32	17054016				Rod—Power Piston Kit
33	7034203				Jet—Main Metering
34	17052347	17052338	17052347	17052344	Idle Tube Assembly
35	7041287				Screw Bracket (2)
36	17050025				Bracket—Throttle Return Spring
37	17053909	17052896	17053910	17051894	Float Bowl Assembly
38	NONE	NONE	17060388	17060388	Idle Compensator Assembly
39	7043575				Solenoid—Idle Stop
40	7027970				Gasket—Idle Compensator
41	7032732				Spring—Fuel Filter
42	GF-470				Filter—Fuel Inlet
43	7032508				Gasket—Filter Nut
44	7038946				Filter Nut—Fuel Inlet
—	17050024				Screw—Throttle Bracket (1)
—	7043576				Spring—Idle Stop Solenoid
—					
	THROTTLE BODY PARTS				
45	KIT ONLY				Gasket—Throttle Body
46	17053529				Throttle Body Assembly
47	7035267				Link—Pump Lever
48	7010435				Screw—Lever Attaching
49	17054016				Link—Power Piston Rod Kit
50	17054016				Lever—Pump and Power Rods Kit
51	7038989				Spring—Idle Needle
52	7048964				Idle Needle
53	7043087				Screw—Throttle Body
54	333977				Insulator—Flange
	ACCESSORIES				
55	17052651				Manifold Stat Coil Assy.
56	17051424				Cover—Manifold Stat Coil
57	7043516				Link—Manifold Stat Coil





# Delco Carburetor

MODEL 1MV MONOJET

## 1976 CHEVROLET CHEVELLE, CAMARO, NOVA, EL CAMINO & SPRINT

250 CUBIC INCH ENGINE

PARTS SHOWN ARE FOR IDENTIFICATION ONLY. CONSULT PARTS LIST FOR CORRECT PART NAME AND NUMBER

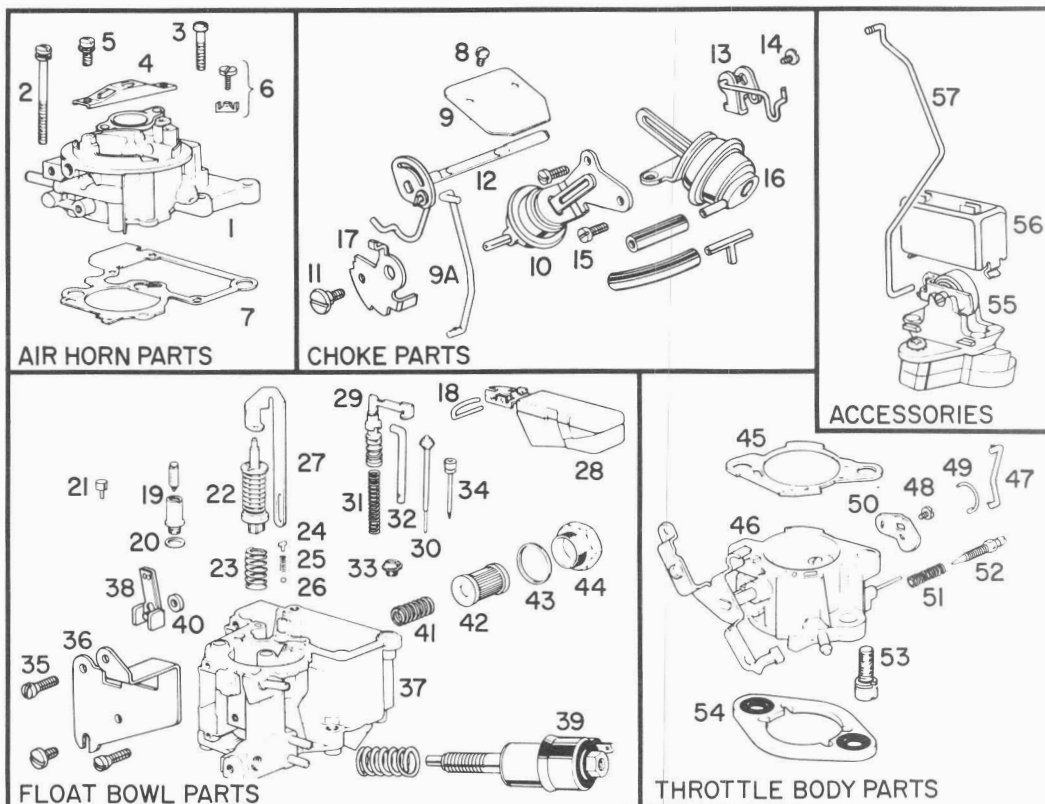
BULLETIN 9C-3097

DATE: July, 1978

PAGE 1

Replaces 9C-3097

Dated November 1975



### PARTS IN ALL COLUMNS SAME — EXCEPT WHERE INDICATED

	A-F-X MAN. TRANS. FEDERAL	A-F-X AUTO. TRANS. FEDERAL	APPLICATION
	<b>17056015</b>	<b>17056018</b>	<b>CARBURETOR No.</b>
	<b>21-3085</b>	<b>21-3110</b>	<b>REPLACEMENT PACKAGE No.</b>
	17052970	17052899	OVERHAUL KIT
	9296		POWER CARBURETOR KIT
	40-447		GASKET SET
<b>Illus. No.</b>	<b>AIR HORN PARTS</b>		
1	17053407	17053407	Air Horn Assembly
2	7043089		Screw—Air Horn (Long)
3	7030917		Screw—Air Horn (Short)
4	7043588		Bracket—Air Cleaner Stud
5	7042813		Screw—Bracket Attaching
6	—		Idle Vent Valve Kit
7	7035166		Gasket—Air Horn
	<b>CHOKE PARTS</b>		
8	7020926		Screw—Choke Valve
9	17052251	17052251	Choke Valve
9A	7043131		Choke Rod
10	7043127	7043127	Vac. Break Control Sec.
11	7003561		Screw—Cam Attaching
12	7043099	7043099	Choke Shaft Lever & Link Assy.
13	17051769	17051769	Choke Lever & Link Assy.
14	7019709		Screw—Choke Lever
15	7043095	7043095	Screw—Vac. Break Bracket
16	17052250		Vacuum Break Control Assembly—Pri.
—	17060445		Hose—Vac. Break
17	17052358		Cam—Fast Idle

	17056015	17056018	CARBURETOR No.
Illus. No.	FLOAT BOWL PARTS		
18	7034032		Hinge Pin—Float
19	30-133		Needle and Seat Assembly
20	KIT ONLY		Gasket—Needle Seat
21	—		Power Valve
22	7037595		Pump Assembly
23	7041176		Spring—Pump Return
24	7003838		Guide—Pump Discharge
25	7002118		Spring—Pump Discharge
26	7002117		Ball—Pump Discharge
27	17056474		Lever—Pump Actuating
28	7037022		Float Assembly
29	7037804	7037804	Power Piston Assembly
30	17053016	17052052	Metering Rod & Spring Assembly
31	7036280	7036280	Spring—Power Piston
32	17054016		Rod—Power Piston Kit
33	7034202	7034203	Jet—Main Metering
34	17052338	17052347	Idle Tube Assembly
35	7041287		Screw Bracket (2)
36	17050025		Bracket—Throttle Return Spring
37	17053910	17054017	Float Bowl Assembly
38	17060388		Idle Compensator Assembly
39	7043575	7043575	Solenoid—Idle Stop
40	7027970	7027970	Gasket—Idle Compensator
41	7032732		Spring—Fuel Filter
42	GF-470		Filter—Fuel Inlet
43	7032508		Gasket—Filter Nut
44	7038946		Filter Nut—Fuel Inlet
—	17050024		Screw—Throttle Bracket (1)
—	7043576	7043576	Spring—Solenoid & Retaining
—			
—			
	THROTTLE BODY PARTS		
45	KIT ONLY		Gasket—Throttle Body
46	17053529	17053529	Throttle Body Assembly
47	7035267		Link—Pump Lever
48	7010435		Screw—Lever Attaching
49	17054016		Link—Power Piston Rod Kit
50	17054016		Lever—Pump and Power Rods Kit
51	7038989		Spring—Idle Needle
52	7048964		Idle Needle
53	7043087		Screw—Throttle Body
54	333977		Insulator—Flange
	ACCESSORIES		
55	17052651		Manifold Stat Coil Assy.
56	17051424		Cover—Manifold Stat Coil
57	7043516		Link—Manifold Stat Coil



# Delco Carburetor

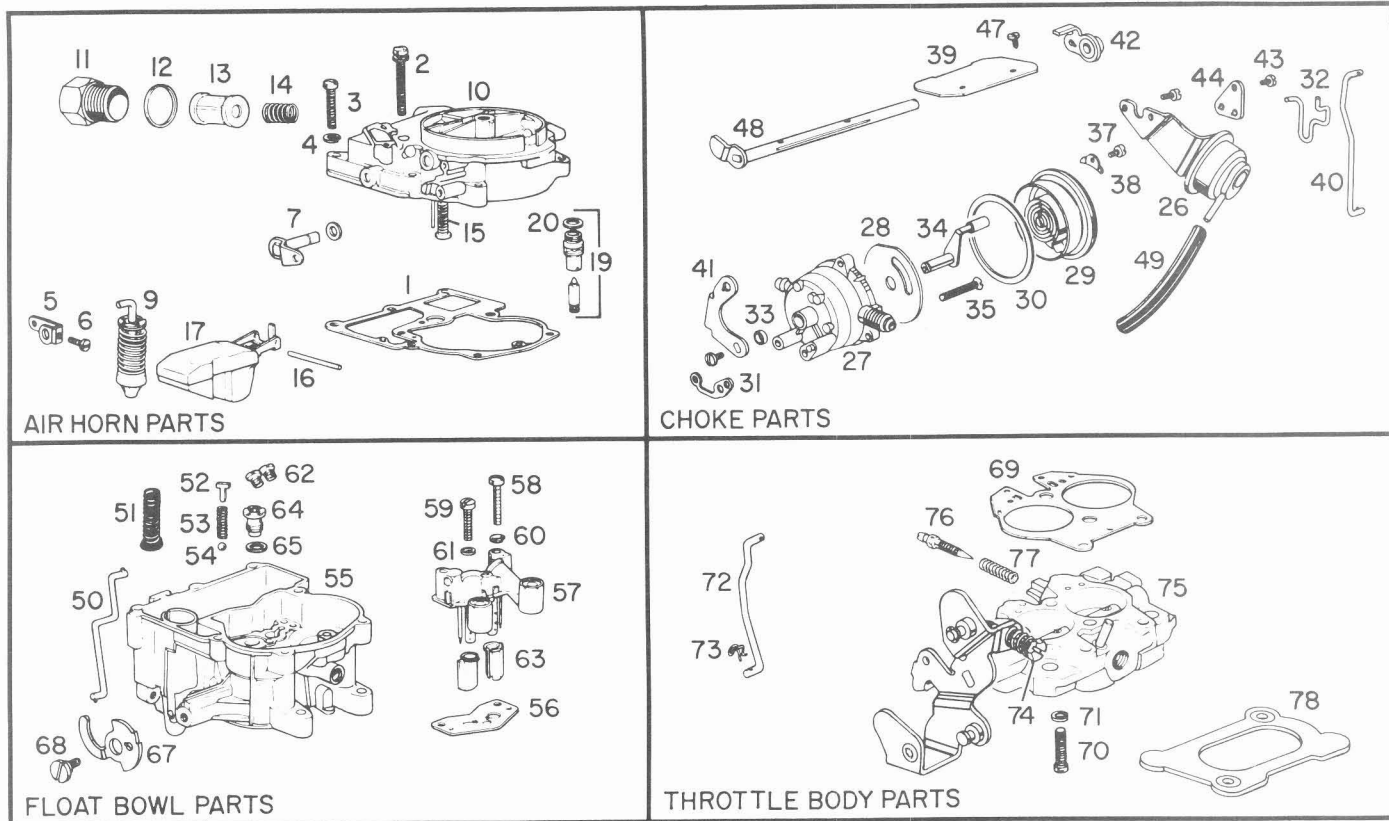
## MODEL 2GC CARBURETORS

### 1976 CHEVROLET MONZA

#### 262 CUBIC INCH ENGINE

BULLETIN 9C-3098  
 DATE: July, 1978  
 PAGE 1  
 Replaces 9C-3098  
 Dated November 1976

PARTS SHOWN ARE FOR IDENTIFICATION ONLY. CONSULT PARTS LIST FOR CORRECT PART NAME AND NUMBER



**PARTS IN ALL COLUMNS SAME — EXCEPT WHERE INDICATED**

	FEDERAL MAN. TRANS.	FED.-NON A/C AUTO. TRANS.	FED.-A/C AUTO. TRANS.	APPLICATION
	17056101	17056102	17056103	<b>CARBURETOR No.</b>
	22-3081	22-3111	22-3111	<b>REPLACEMENT PKG. No.</b>
	17053829			OVERHAUL KIT
	9302			POWER CARBURETOR KIT
	40-448			GASKET SET
Illus. No.	AIR HORN PARTS			
1	7045671			Gasket—Air Horn
2	7010432			Screw—Air Horn—Long
3	7006119			Screw—Air Horn—Short
4	—			Lockwasher—Air Horn Screw
5	7032377			Pump Lever—Inside
6	7011270			Screw—Pump Lever
7	7044029			Pump Shaft & Lever Assy.
—	7019568			Washer—Pump Shaft
8	—			Clip—Pump
9	7037561			Pump Assembly
10	17065256			Air Horn Assembly
11	17053408			Filter Nut—Fuel Inlet
12	7032508			Gasket—Filter Nut
13	GF-470			Filter—Fuel Inlet
14	17051764			Spring—Fuel Inlet Filter
15	7009054			Power Piston Assembly
16	7002081			Pin—Float Hinge
17	7037512			Float Assembly
18	7044032			Elbow—Filter Nut
19	30-144			Needle & Seat Assy.
20	KIT ONLY			Gasket—Needle Seat
21	—			Shield—Idle Vent

	17056101	17056102	17056103	CARBURETOR No.
Illus. No.	AIR HORN PARTS (Continued)			
22	—			Idle Vent Valve Kit
23	—			Screw—Idle Vent Valve
24	—			Idle Vent Valve
CHOKE PARTS				
25	—			Vacuum Break Control Assembly
26	7044056			Vacuum Break Control & Bracket Assy.
—	7037570			Screw—Control Attaching
27	17055540			Choke Housing
28	7037239			Baffle Plate
29	17052654			Stat Cover, Coil & Gasket Assy.
30	17050961			Gasket—Stat Cover
31	7043291			Gasket—Choke Housing
32	7040239			Link—Vacuum Break
33	7037569			Dust Seal—Inter. Choke Shaft
34	7043289			Intermediate Choke Shaft Assy.
35	7043292			Screw—Choke Housing
36				Cam Lever & Bushing Assembly
37	7011270			Screw—Stat Cover
38	7000614			Retainer—Stat Cover
39	7033443			Choke Valve
40	17050270			Intermediate Choke Rod
41	17050266			Intermediate Choke Lever
42	17050766			Lever Choke
43	7019709			Screw—Choke Levers
44	17050271			Lever—Choke Shaft
45				
46				
47	7007627			Screw—Choke Valve
48	7047797			Choke Shaft Assy.
49	7026339			Hose—Vacuum
50	7043370			Choke Link
FLOAT BOWL PARTS				
51	7041141			Spring—Pump Return
—	7002120			Ball—Pump Inlet Check
—				Strainer—Pump Inlet
52	NLA			Guide—Pump Discharge
53	7002118			Spring—Pump Discharge
54	7002117			Ball—Pump Discharge
55	17065229	17054015	17054015	Float Bowl Assembly
56	KIT ONLY			Gasket—Venturi Cluster
57	17053672			Venturi Cluster Assembly
58	7045762			Screw—Venturi Cluster—Outer
59	7009077			Screw—Cluster—Center
60	—			Lockwasher—Outer Screws
61	KIT ONLY			Gasket—Center Screw
62	7002650	7002652	7002652	Jet—Standard (See Note)
63	7040320			Insert—Main Well
64	7011989			Power Valve Assembly
65	KIT ONLY			Gasket—Power Valve
66				
67	7044039			Cam—Fast Idle
68	7036222			Screw—Cam Attaching
—	NONE	NONE	7044300	Solenoid Idle Stop
—	NONE	NONE	7042818	Bracket & Washer Assy.
—	NONE	NONE	7042654	Nut—Solenoid Retaining
—	NONE	NONE	7043682	Screw—Bracket Attaching
THROTTLE BODY PARTS				
69	KIT ONLY			Gasket—Throttle Body
70	7015105			Screw—Throttle Body
71	—			Lockwasher—Throttle Body Screws
72	7041249			Pump Rod
73	7018186			Clip—Pump Rod
74	7029427			Idle Stop Screw
—	7041519			Spring—Idle Stop Screw
75	17054180			Throttle Body Assembly
76	7048860			Idle Needle
77	7011479			Spring—Idle Needle
78	6271058			Insulator—Flange



# Delco Carburetor

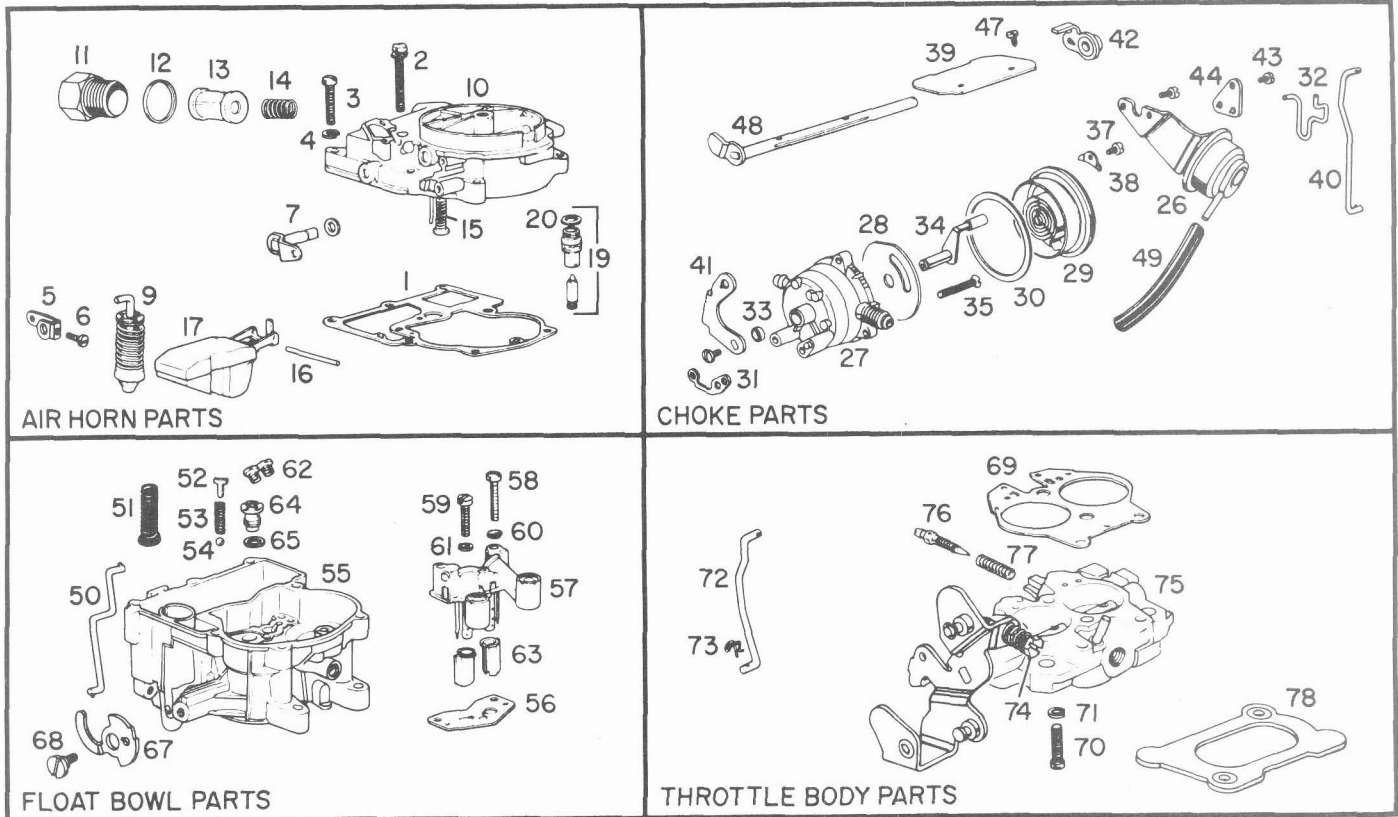
## MODEL 2GC CARBURETORS

### 1976 CHEVROLET MONZA (LATE)

### 262 CUBIC INCH ENGINE

BULLETIN 9C-3098A  
 DATE: July, 1978  
 PAGE 1  
 Replaces 9C-3098A  
 Dated November 1976

PARTS SHOWN ARE FOR IDENTIFICATION ONLY. CONSULT PARTS LIST FOR CORRECT PART NAME AND NUMBER



**PARTS IN ALL COLUMNS SAME — EXCEPT WHERE INDICATED**

	FEDERAL MAN. TRANS.	FED.-NON A/C AUTO. TRANS.	FED.-A/C AUTO. TRANS.	APPLICATION
	17056121	17056122	17056132	<b>CARBURETOR No.</b>
	22-3139	22-3111	22-3111	<b>REPLACEMENT PKG. No.</b>
	17053829			OVERHAUL KIT
	9302			POWER CARBURETOR KIT
	40-448			GASKET SET

Illus. No.	AIR HORN PARTS			PART DESCRIPTION
1	7045671			Gasket—Air Horn
2	7010432			Screw—Air Horn—Long
3	7006119			Screw—Air Horn—Short
4	—			Lockwasher—Air Horn Screw
5	7032377			Pump Lever—Inside
6	7011270			Screw—Pump Lever
7	7044029			Pump Shaft & Lever Assy.
—	7019568			Washer—Pump Shaft
8	—			Clip—Pump
9	7037561			Pump Assembly
10	17065256			Air Horn Assembly
11	17053408			Filter Nut—Fuel Inlet
12	7032508			Gasket—Filter Nut
13	GF-470			Filter—Fuel Inlet
14	17051764			Spring—Fuel Inlet Filter
15	7009054			Power Piston Assembly
16	7002081			Pin—Float Hinge
17	7037512			Float Assembly
18	7044032			Elbow—Filter Nut
19	30-144			Needle & Seat Assy.
20	KIT ONLY			Gasket—Needle Seat
21	—			Shield—Idle Vent

	17056121	17056122	17056132	CARBURETOR No.
Illus. No.	AIR HORN PARTS (Continued)			
22	—			Idle Vent Valve Kit
23	—			Screw—Idle Vent Valve
24	—			Idle Vent Valve
CHOKE PARTS				
25	—			Vacuum Break Control Assembly
26	7044056			Vacuum Break Control & Bracket Assy.
—	7037570			Screw—Control Attaching
27	17055541	17055540	17055540	Choke Housing
28	7037239			Baffle Plate
29	17052654			Stat Cover, Coil & Gasket Assy.
30	17050961			Gasket—Stat Cover
31	7043291			Gasket—Choke Housing
32	7040239			Link—Vacuum Break
33	7037569			Dust Seal—Inter. Choke Shaft
34	7043289			Intermediate Choke Shaft Assy.
35	7043292			Screw—Choke Housing
36				Cam Lever & Bushing Assembly
37	7011270			Screw—Stat Cover
38	7000614			Retainer—Stat Cover
39	7033443			Choke Valve
40	17050270			Intermediate Choke Rod
41	17050266			Intermediate Choke Lever
42	17050766			Lever Choke
43	7019709			Screw—Choke Levers
44	17050271			Lever—Choke Shaft
45				
46				
47	7007627			Screw—Choke Valve
48	7047797			Choke Shaft Assy.
49	7026339			Hose—Vacuum
50	7043370			Choke Link
FLOAT BOWL PARTS				
51	7041141			Spring—Pump Return
—	7002120			Ball—Pump Inlet Check
—				Strainer—Pump Inlet
52	NLA			Guide—Pump Discharge
53	7002118			Spring—Pump Discharge
54	7002117			Ball—Pump Discharge
55	17065229	17054015	17054015	Float Bowl Assembly
56	KIT ONLY			Gasket—Venturi Cluster
57	17053672			Venturi Cluster Assembly
58	7045762			Screw—Venturi Cluster—Outer
59	7009077			Screw—Cluster—Center
60	—			Lockwasher—Outer Screws
61	KIT ONLY			Gasket—Center Screw
62	7002650	7002652	7002652	Jet—Standard (See Note)
63	7040320			Insert—Main Well
64	7011989	7011989	7017950	Power Valve Assembly
65	KIT ONLY			Gasket—Power Valve
66				
67	7044039			Cam—Fast Idle
68	7036222			Screw—Cam Attaching
—	NONE	NONE	7044300	Solenoid—Idle Stop
—	NONE	NONE	7042818	Bracket & Washer Assy.
—	NONE	NONE	7042654	Nut—Solenoid Retaining
—	NONE	NONE	7043682	Screw—Bracket Attaching
—				
THROTTLE BODY PARTS				
69	KIT ONLY			Gasket—Throttle Body
70	7015105			Screw—Throttle Body
71	—			Lockwasher—Throttle Body Screws
72	7041249			Pump Rod
73	7018186			Clip—Pump Rod
74	7029427			Idle Stop Screw
—	7041519			Spring—Idle Stop Screw
75	17052723			Throttle Body Assembly
76	7048860			Idle Needle
77	7011479			Spring—Idle Needle
78	6271058			Insulator—Flange



# Delco Carburetor

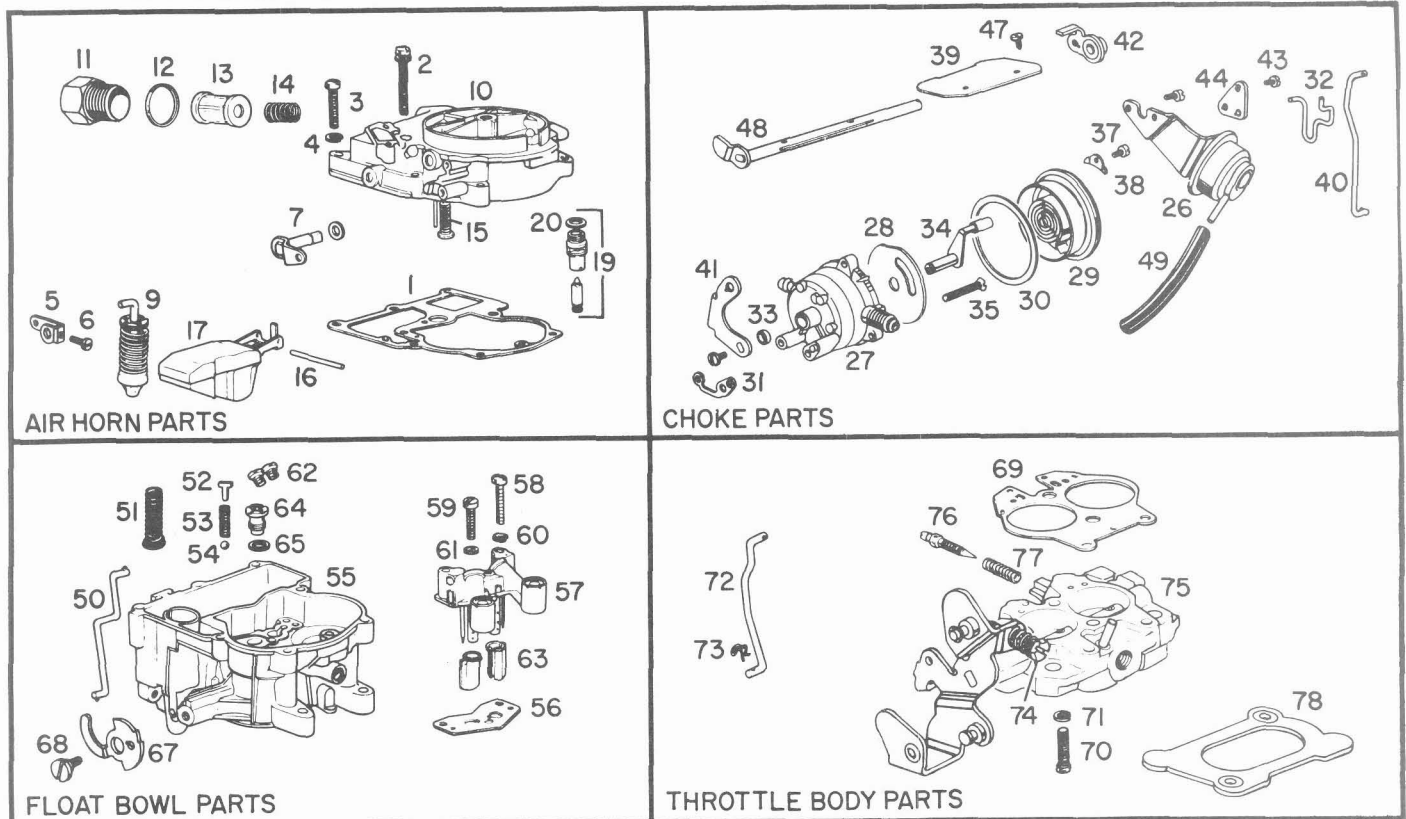
## MODEL 2GC CARBURETORS

### 1976 CHEVROLET CAMARO & NOVA

#### 305 CUBIC INCH ENGINE

BULLETIN 9C-3099  
DATE: July, 1978  
PAGE 1  
Replaces 9C-3099  
Dated November 1976

PARTS SHOWN ARE FOR IDENTIFICATION ONLY. CONSULT PARTS LIST FOR CORRECT PART NAME AND NUMBER



**PARTS IN ALL COLUMNS SAME — EXCEPT WHERE INDICATED**

	FEDERAL NOVA AUTO TRANS	FEDERAL CAMARO MAN TRANS	FEDERAL CAMARO AUTO TRANS	FED-EARLY NOVA MAN TRANS	FED-LATE NOVA MAN TRANS	APPLICATION
	17056110	17056111	17056112	17056113	17056109	CARBURETOR No.
	22-3123	22-3178	22-3123	22-3178	22-3178	REPLACEMENT PKG. No.
	17052979	17053829	17052979	17053829	17053829	OVERHAUL KIT
	9297	9302	9297	9302	9302	POWER CARBURETOR KIT
	40-448					GASKET SET

Illus. No.	AIR HORN PARTS					
1	7045671					Gasket—Air Horn
2	7010432					Screw—Air Horn—Long
3	7006119					Screw—Air Horn—Short
4	—					Lockwasher—Air Horn Screw
5	7032377					Pump Lever—Inside
6	7011270					Screw—Pump Lever
7	7044029					Pump Shaft & Lever Assembly
—	7019568					Washer—Pump Shaft
8	—					Clip—Pump
9	7036282	7037561	7036282	7037561	7037561	Pump Assembly
10	17065256					Air Horn Assembly
11	17051765	17053408	17053408	17051765	17051765	Filter Nut—Fuel Inlet
12	7032508					Gasket—Filter Nut
13	GF-470					Filter—Fuel Inlet
14	7032732	17051764	17051764	7032732	7032732	Spring—Fuel Inlet Filter
15	7009054	7006323	7009054	7006323	7006323	Power Piston Assembly
16	7002081					Pin—Float Hinge
17	7037512					Float Assembly
18	—	7044035	7044035	—	—	Elbow—Filter Nut

CO, WD, 131, 132:16, 9X, 9FR, 9FD, 9LA  
NSS—NOT SERVICED SEPARATELY

PRINTED IN U.S.A.  
© 1978 GENERAL MOTORS CORP.

	17056110	17056111	17056112	17056113	17056109	CARBURETOR No.
Illus. No.	AIR HORN PARTS (Continued)					
19	30-144					Needle & Seat Assy.
20	KIT ONLY					Gasket—Needle Seat
21	—					Shield—Idle Vent
22						Idle Vent Valve Kit
23	—					Screw—Idle Vent Valve
24	—					Idle Vent Valve
CHOKE PARTS						
25	—					Vacuum Break Control Assy.
26	7044056					Vacuum Brk. Cont. & Brkt. Assy.
—	7037570					Screw—Control Attaching
27	17055540	17055541	17055540	17055541	17055541	Choke Housing
28	7037239					Baffle Plate
29	17052654					Stat Cover, Coil & Gkt. Assy.
30	17050961					Gasket—Stat Cover
31	7043291					Gasket—Choke Housing
32	7040239					Link—Vacuum Break
33	7037569					Dust Seal—Inter. Choke Shaft
34	7043289					Intermediate Choke Shaft Assy.
35	7043292					Screw—Choke Housing
36						Cam Lever & Bushing Assembly
37	7011270					Screw—Stat Cover
38	7000614					Retainer—Stat Cover
39	7033443					Choke Valve
40	17050270					Intermediate Choke Rod
41	17050266					Intermediate Choke Lever
42	17050766					Lever Choke
43	7019709					Screw—Choke Levers
44	17050271					Lever—Choke Shaft
45						
46						Washer—Cam
47	7007627					Screw—Choke Valve
48	7047797					Choke Shaft Assy.
49	7026339					Hose—Vacuum
50	7043370					Choke Rod
FLOAT BOWL PARTS						
51	7041141					Spring—Pump Return
—	7002120					Ball—Pump Inlet Check
—						Strainer—Pump Inlet
52	7000286					Guide—Pump Discharge
53	7002118					Spring—Pump Discharge
54	7002117					Ball—Pump Discharge
55	17065229					Float Bowl Assembly
56	KIT ONLY					Gasket—Venturi Cluster
57	17053672	17053741	17053672	17053741	17053741	Venturi Cluster Assembly
58	7045762					Screw—Venturi Cluster—Outer
59	7009077					Screw—Cluster—Center
60	—					Lockwasher—Outer Screws
61	KIT ONLY					Gasket—Center Screw
62	7002652	7002650	7002652	7002650	7002650	Jet—Standard (See Note)
63	7040320					Insert—Main Well
64	7011989					Power Valve Assembly
65	KIT ONLY					Gasket—Power Valve
66						
67	7044039					Cam—Fast Idle
68	7036222					Screw—Cam Attaching
THROTTLE BODY PARTS						
69	KIT ONLY					Gasket—Throttle Body
70	7015105					Screw—Throttle Body
71	—					Lockwasher—Throttle Body Scrs.
72	7041249					Pump Rod
73	7018186					Clip—Pump Rod
74	7029427					Idle Stop Screw
—	7041519					Spring—Idle Stop Screw
75	17052981					Throttle Body Assembly
76	7048860					Idle Needle
77	7011479					Spring—Idle Needle
78	6271058					Insulator—Flange





# Delco Carburetor

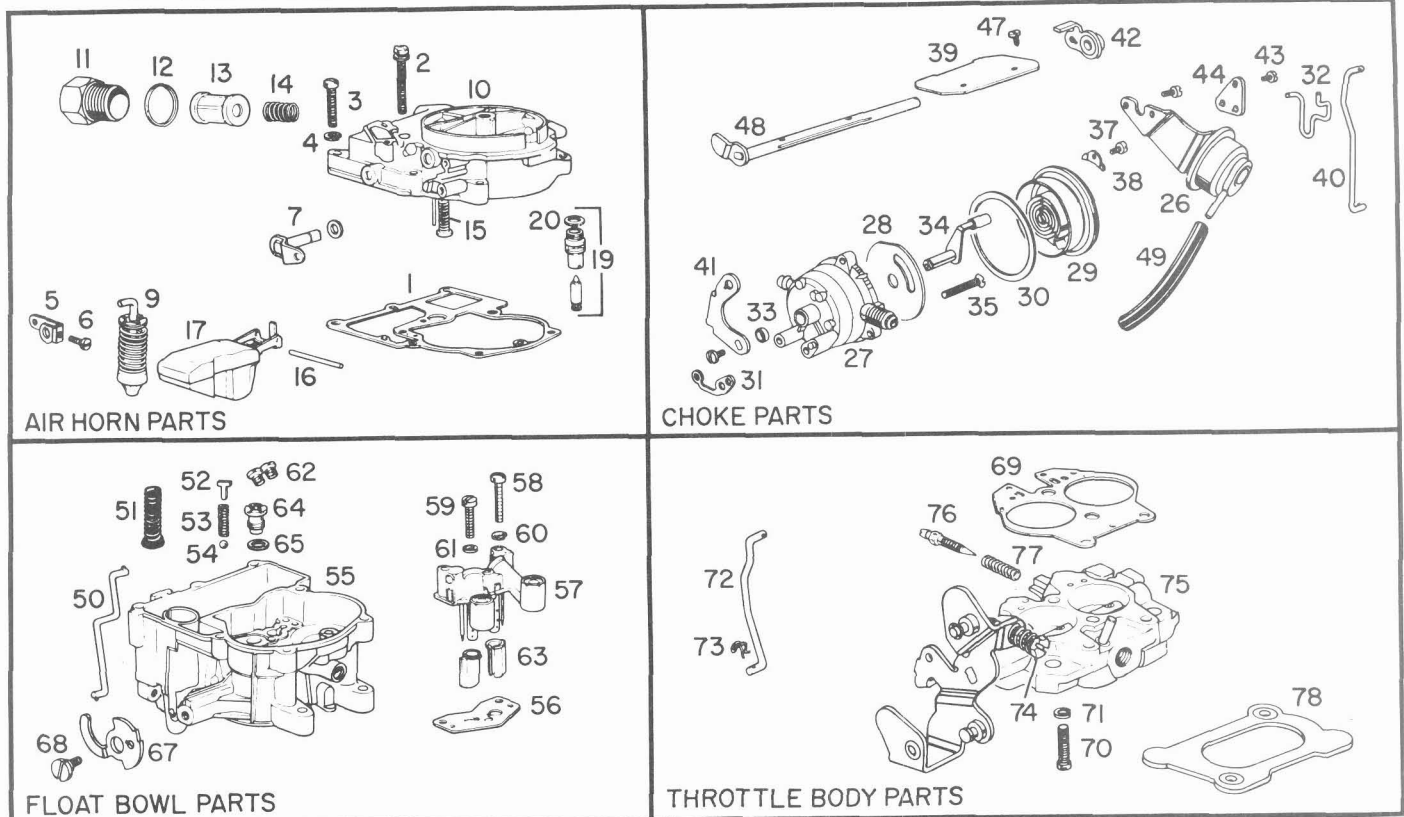
## MODEL 2GC CARBURETORS

### 1976 CHEVROLET MONZA

#### 305 CUBIC INCH ENGINE

BULLETIN 9C-3099A  
 DATE: July, 1978  
 PAGE 1  
 Replaces 9C-3099A  
 Dated November 1976

PARTS SHOWN ARE FOR IDENTIFICATION ONLY. CONSULT PARTS LIST FOR CORRECT PART NAME AND NUMBER



**PARTS IN ALL COLUMNS SAME — EXCEPT WHERE INDICATED**

	FED.-A/T NON AIR COND.	FED.-A/T AIR COND.	CALIF. A/T NON AIR COND.	CALIF. A/T AIR COND.	APPLICATION
	17056104	17056105	17056404	17056405	CARBURETOR No.
	22-3092	22-3125	22-3092	22-3125	REPLACEMENT PKG. No.
	17052979				OVERHAUL KIT
	9297				POWER CARB. KIT
	40-448				GASKET SET

Illus. No.	PARTS	PARTS	PARTS	PARTS	DESCRIPTION
AIR HORN PARTS					
1	7045671				Gasket—Air Horn
2	7010432				Screw—Air Horn—Long
3	7006119				Screw—Air Horn—Short
4	—				Lockwasher—Air Horn Screw
5	7032377				Pump Lever—Inside
6	7011270				Screw—Pump Lever
7	7044029				Pump Shaft & Lever Assy.
—	7019568				Washer—Pump Shaft
8	—				Clip—Pump
9	7036282				Pump Assembly
10	17052976				Air Horn Assembly
11	17053408				Filter Nut—Fuel Inlet
12	7032508				Gasket—Filter Nut
13	GF-470				Filter—Fuel Inlet
14	17051764				Spring—Fuel Inlet Filter
15	7009054				Power Piston Assembly
16	7002081				Pin—Float Hinge
17	7037512				Float Assembly
18	7044032				Elbow—Filter Nut
19	30-144				Needle & Seat Assy.
20	KIT ONLY				Gasket—Needle Seat
21	—				Shield—Idle Vent

	17056104	17056105	17056404	17056405	CARBURETOR No.
Illus. No.	AIR HORN PARTS (Continued)				
22	—				Idle Vent Valve Kit
23	—				Screw—Idle Vent Valve
24	—				Idle Vent Valve
CHOKE PARTS					
25	—				Vacuum Break Control Assy.
26	7044056				Vac. Break Con. & Brkt. Assy.
—	7037570				Screw—Control Attaching
27	17055540				Choke Housing
28	7037239				Baffle Plate
29	17052654				Stat Cover, Coil & Gasket Assy.
30	17050961				Gasket—Stat Cover
31	7043291				Gasket—Choke Housing
32	7040239				Link—Vacuum Break
33	7037569				Dust Seal—Inter. Choke Shaft
34	7043289				Intermediate Choke Shaft Assy.
35	7043292				Screw—Choke Housing
36					Cam Lever & Bushing Assy.
37	7011270				Screw—Stat Cover
38	7000614				Retainer—Stat Cover
39	7033443				Choke Valve
40	17050270				Intermediate Choke Rod
41	17050266				Intermediate Choke Lever
42	17050766				Lever Choke
43	7019709				Screw—Choke Levers
44	17050271				Lever—Choke Shaft
45					
46					
47	7007627				Screw—Choke Valve
48	7047797				Choke Shaft Assy.
49	7026339				Hose—Vacuum
50	7043370				Choke Link
FLOAT BOWL PARTS					
51	7041141				Spring—Pump Return
—	7002120				Ball—Pump Inlet Check
—					Strainer—Pump Inlet
52	NLA				Guide—Pump Discharge
53	7002118				Spring—Pump Discharge
54	7002117				Ball—Pump Discharge
55	17054979				Float Bowl Assembly
56	KIT ONLY				Gasket—Venturi Cluster
57	17054564				Venturi Cluster Assy.
58	7045762				Screw—Venturi Cluster—Outer
59	7009077				Screw—Cluster—Center
60	—				Lockwasher—Outer Screws
61	KIT ONLY				Gasket—Center Screw
62	7002652				Jet—Standard (See Note)
63	7040320				Insert—Main Well
64	7011989				Power Valve Assembly
65	KIT ONLY				Gasket—Power Valve
66					
67	7044039				Cam—Fast Idle
68	7036222				Screw—Cam Attaching
—	NONE	7044300	NONE	7044300	Solenoid—Idle Stop
—	NONE	7042818	NONE	7042818	Bracket & Washer Assy.
—	NONE	7042654	NONE	7042654	Nut—Solenoid Retaining
—	NONE	7043682	NONE	7043682	Screw—Bracket Attaching
—					
THROTTLE BODY PARTS					
69	KIT ONLY				Gasket—Throttle Body
70	7015105				Screw—Throttle Body
71	—				Lockwasher—Thrt. Body Screws
72	7041249				Pump Rod
73	7018186				Clip—Pump Rod
74	7029427				Idle Stop Screw
—	7041519				Spring—Idle Stop Screw
75	17052981				Throttle Body Assembly
76	7048860				Idle Needle
77	7011479				Spring—Idle Needle
78	6271058				Insulator—Flange



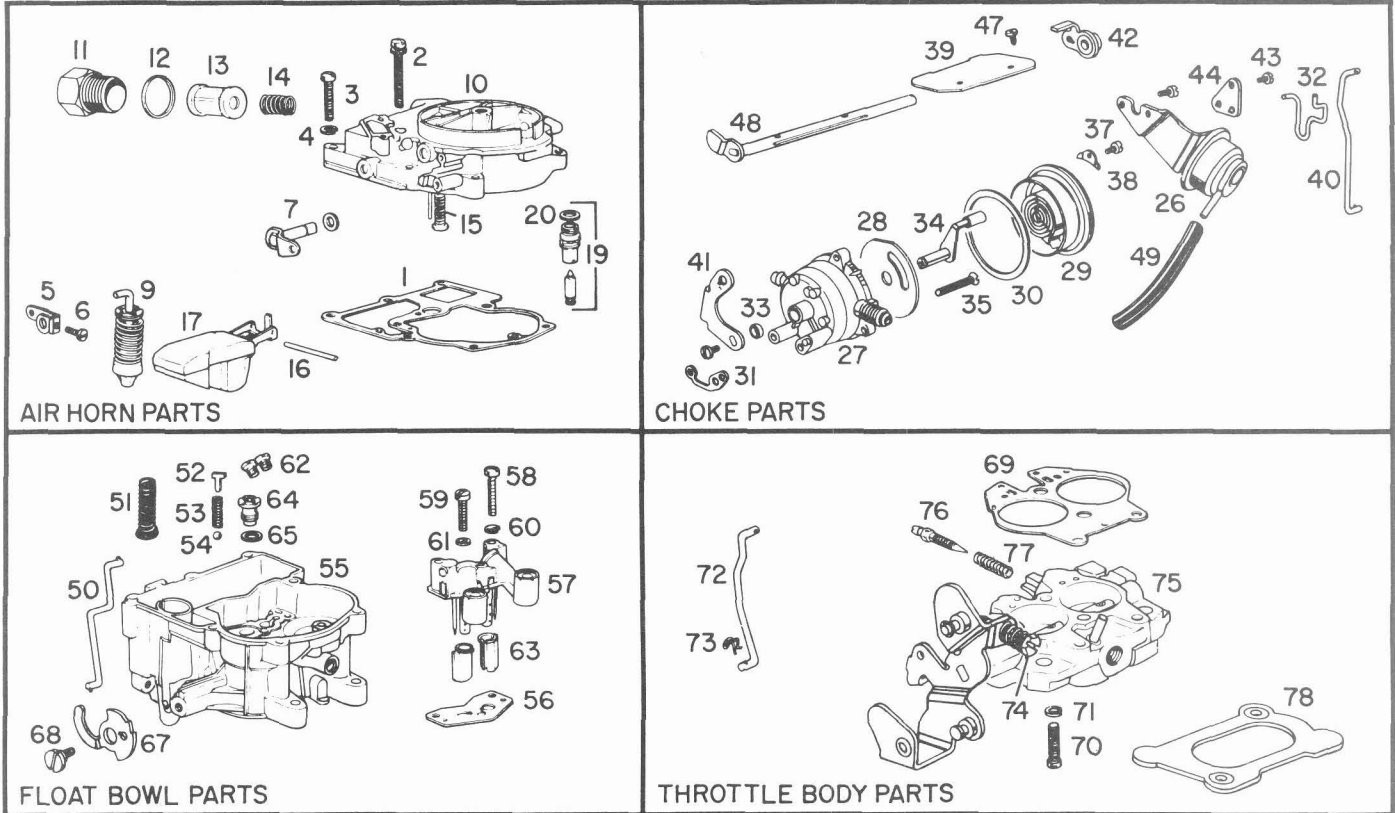
# Delco Carburetor

## MODEL 2GC CARBURETORS

1976-77 CHEVROLET, CHEVELLE, MONTE CARLO,  
CAMARO & NOVA (CANADA ONLY),  
305 & 350 CUBIC INCH ENGINE (AUTO TRANS)  
(WITHOUT CONVERTOR)

BULLETIN 9C-3100  
DATE: July, 1978  
PAGE 1  
Replaces 9C-3100  
Dated November 1976

PARTS SHOWN ARE FOR IDENTIFICATION ONLY. CONSULT PARTS LIST FOR CORRECT PART NAME AND NUMBER



**PARTS IN ALL COLUMNS SAME — EXCEPT WHERE INDICATED**

	CHEVROLET MONTE CARLO, CHEVELLE 350 CU. IN. 1976	CHEVROLET MONTE CARLO CHEVELLE 305 CU. IN. 1976-77	NOVA 305 CU. IN. 1976	CAMARO 305 CU. IN. 1976-77	APPLICATION
	17056100	17056125	17056126	17056127	<b>CARBURETOR No.</b>
	22-3113	22-3113	22-3113	22-3098	<b>REPLACEMENT PKG. No.</b>
	17053830				OVERHAUL KIT
	9303				POWER CARBURETOR KIT
	40-448				GASKET SET

Illus. No.	AIR HORN PARTS				
1	7045671				Gasket—Air Horn
2	7010432				Screw—Air Horn—Long
3	7006119				Screw—Air Horn—Short
4	—				Lockwasher—Air Horn Screw
5	7032377				Pump Lever—Inside
6	7011270				Screw—Pump Lever
7	7044029				Pump Shaft & Lever Assembly
—	7019568				Washer—Pump Shaft
8	—				Clip—Pump
9	7036282				Pump Assembly
10	17065256				Air Horn Assembly
11	17051765	17051765	17051765	17053408	Filter Nut—Fuel Inlet
12	7032508				Gasket—Filter Nut
13	GF-470				Filter—Fuel Inlet
14	7032732	7032732	7032732	17051764	Spring—Fuel Inlet Filter
15	7006323				Power Piston Assembly
16	7002081				Pin—Float Hinge
17	7037512				Float Assembly
18	—	—	—	7044035	Elbow—Filter Nut

	17056100	17056125	17056126	17056127	CARBURETOR No.
Illus. No.	AIR HORN PARTS (Continued)				
19	30-132				Needle & Seat Assy.
20	KIT ONLY				Gasket—Needle Seat
21	—				Shield—Idle Vent
22					Idle Vent Valve Kit
23	—				Screw—Idle Vent Valve
24	—				Idle Vent Valve
	CHOKE PARTS				
25	—				Vacuum Break Control Assy.
26	7044056				Vacuum Break Control & Brkt. Assy.
—	7037570				Screw—Control Attaching
27	17055540				Choke Housing
28	7037239				Baffle Plate
29	17052654				Stat Cover, Coil & Gasket Assy.
30	17050961				Gasket—Stat Cover
31	7043291				Gasket—Choke Housing
32	7040239				Link—Vacuum Break
33	7037569				Dust Seal—Inter. Choke Shaft
34	7043289				Intermediate Choke Shaft Assy.
35	7043292				Screw—Choke Housing
36					Cam Lever & Bushing Assembly
37	7011270				Screw—Stat Cover
38	7000614				Retainer—Stat Cover
39	7033443				Choke Valve
40	17050270				Intermediate Choke Rod
41	17050266				Intermediate Choke Lever
42	17050766				Lever Choke
43	7019709				Screw—Choke Levers
44	17050271				Lever—Choke Shaft
45					
46					Washer—Cam
47	7007627				Screw—Choke Valve
48	7047797				Choke Shaft Assy.
49	7026339				Hose—Vacuum
50	7043370				Choke Rod
	FLOAT BOWL PARTS				
51	7041141				Spring—Pump Return
—	7002120				Ball—Pump Inlet Check
—					Strainer—Pump Inlet
52	NLA				Guide—Pump Discharge
53	7002118				Spring—Pump Discharge
54	7002117				Ball—Pump Discharge
55	17065231				Float Bowl Assembly
56	KIT ONLY				Gasket—Venturi Cluster
57	17056636				Venturi Cluster Assembly
58	7045762				Screw—Venturi Cluster—Outer
59	7009077				Screw—Cluster—Center
60	—				Lockwasher—Outer Screws
61	KIT ONLY				Gasket—Center Screw
62	7002652				Jet—Standard (See Note)
63	7040320				Insert—Main Well
64	7011989				Power Valve Assembly
65	KIT ONLY				Gasket—Power Valve
66					
67	7044039				Cam—Fast Idle
68	7036222				Screw—Cam Attaching
	THROTTLE BODY PARTS				
69	KIT ONLY				Gasket—Throttle Body
70	7015105				Screw—Throttle Body
71	—				Lockwasher—Throttle Body Screws
72	7041249				Pump Rod
73	7018186				Clip—Pump Rod
74	7029427				Idle Stop Screw
—	7041519				Spring—Idle Stop Screw
75	17054185				Throttle Body Assembly
76	7048860				Idle Needle
77	7011479				Spring—Idle Needle
78	6271058				Insulator—Flange



# Delco Carburetor

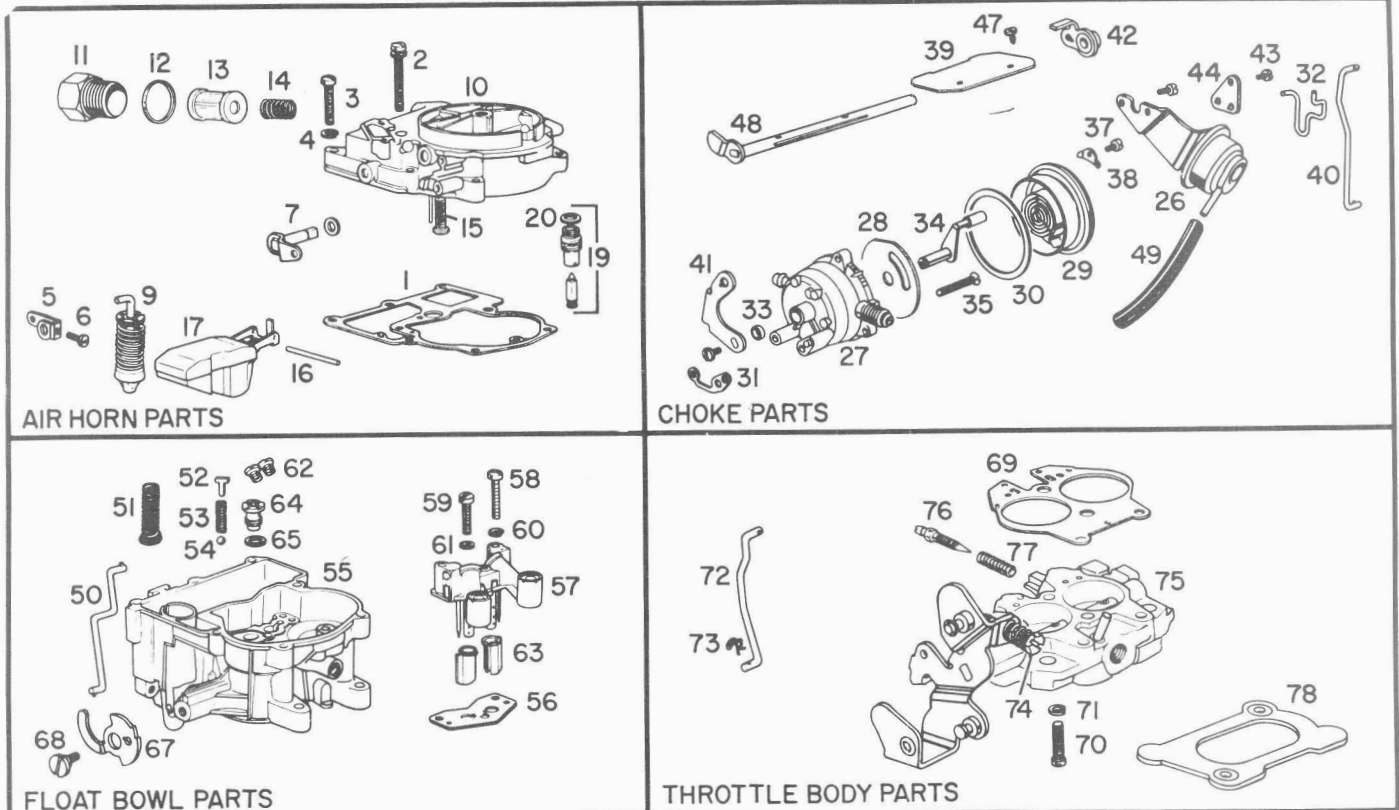
MODEL 2GC CARBURETORS

## 1976 CHEVROLET, CHEVELLE, MONTE CARLO, CAMARO & NOVA

305-350 CUBIC INCH ENGINE

BULLETIN 9C-3101  
DATE: July, 1978  
PAGE 1  
Replaces 9C-3101  
Dated November 1976

PARTS SHOWN ARE FOR IDENTIFICATION ONLY. CONSULT PARTS LIST FOR CORRECT PART NAME AND NUMBER



**PARTS IN ALL COLUMNS SAME — EXCEPT WHERE INDICATED**

	305 CU. IN. CHEVROLET & MONTE CARLO AUTO. TRANS. FEDERAL	305 CU. IN. EARLY NOVA AUTO. TRANS. CALIFORNIA	305 CU. IN. LATE NOVA AUTO. TRANS. CALIFORNIA	305 CU. IN. CAMARO AUTO. TRANS. CALIFORNIA	350 CU. IN. CHEVROLET MONTE CARLO CHEVELLE AUTO. TRANS. FEDERAL	APPLICATION
	17056108	17056430	17056408	17056432	17056114	CARBURETOR No.
	22-3123	22-3101	22-3126	22-3101	22-3113	REPLACEMENT PKG. No.
	17052979	17052979	17052979	17052979	17052980	OVERHAUL KIT
	9297	9297	9297	9297	9298	POWER CARBURETOR KIT
	40-448					GASKET SET

Illus. No.	AIR HORN PARTS					
1	7045671					Gasket—Air Horn
2	7010432					Screw—Air Horn—Long
3	7006119					Screw—Air Horn—Short
4	—					Lockwasher—Air Horn Screw
5	7032377					Pump Lever—Inside
6	7011270					Screw—Pump Lever
7	7044029					Pump Shaft & Lever Assembly
—	7019568					Washer—Pump Shaft
8	—					Clip—Pump
9	7036282	7036282	7036282	7036282	7037561	Pump Assembly
10	17065256					Air Horn Assembly
11	17051765	17051765	17051765	17053408	17051765	Filter Nut—Fuel Inlet
12	7032508					Gasket—Filter Nut
13	GF-470					Filter—Fuel Inlet
14	7032732	7032732	7032732	17051764	7032732	Spring—Fuel Inlet Filter
15	7009054				7006323	Power Piston Assembly
16	7002081					Pin—Float Hinge
17	7037512					Float Assembly
18	—	—	—	7044035	—	Elbow—Filter Nut

	17056108	17056430	17056408	17056432	17056114	CARBURETOR No.
Illus. No.	AIR HORN PARTS (Continued)					
19	30-144	30-144	30-144	30-144	30-132	Needle & Seat Assy.
20	KIT ONLY					Gasket—Needle Seat
21	—					Shield—Idle Vent
22						Idle Vent Valve Kit
23	—					Screw—Idle Vent Valve
24	—					Idle Vent Valve
CHOKE PARTS						
25	—					Vacuum Break Control Assembly
26	7044056					Vacuum Brk. Cont. & Brkt. Assy.
—	7037570					Screw—Control Attaching
27	17055540					Choke Housing
28	7037239					Baffle Plate
29	17052654					Stat Cover, Coil & Gkt. Assy.
30	17050961					Gasket—Stat Cover
31	7043291					Gasket—Choke Housing
32	7040239					Link—Vacuum Break
33	7037569					Dust Seal—Inter. Choke Shaft
34	7043289					Intermediate Choke Shaft Assy.
35	7043292					Screw—Choke Housing
36						Cam Lever & Bushing Assembly
37	7011270					Screw—Stat Cover
38	7000614					Retainer—Stat Cover
39	7033443					Choke Valve
40	17050270					Intermediate Choke Rod
41	17050266					Intermediate Choke Lever
42	17050766					Lever Choke
43	7019709					Screw—Choke Levers
44	17050271					Lever—Choke Shaft
45						
46						
47	7007627					Washer—Cam
48	7047797					Screw—Choke Valve
49	7026339					Choke Shaft Assy.
50	7043370					Hose—Vacuum Choke Rod
FLOAT BOWL PARTS						
51	7041141					Spring—Pump Return
—	7002120					Ball—Pump Inlet Check
—						Strainer—Pump Inlet
52	NLA					Guide—Pump Discharge
53	7002118					Spring—Pump Discharge
54	7002117					Ball—Pump Discharge
55	17065229					Float Bowl Assembly
56	KIT ONLY					Gasket—Venturi Cluster
57	17053672	17054564	17054564	17054564	17053741	Venturi Cluster Assembly
58	7045762					Screw—Venturi Cluster—Outer
59	7009077					Screw—Cluster—Center
60	—					Lockwasher—Outer Screws
61	KIT ONLY					Gasket—Center Screw
62	7002652	7002652	7002652	7002652	7002650	Jet—Standard (See Note)
63	7040320					Insert—Main Well
64	7011989					Power Valve Assembly
65	KIT ONLY					Gasket—Power Valve
66						
67	7044039					Cam—Fast Idle
68	7036222					Screw—Cam Attaching
THROTTLE BODY PARTS						
69	KIT ONLY					Gasket—Throttle Body
70	7015105					Screw—Throttle Body
71	—					Lockwasher—Thr. Body Screws
72	7041249					Pump Rod
73	7018186					Clip—Pump Rod
74	7029427					Idle Stop Screw
—	7041519					Spring—Idle Stop Screw
75	17052981	17052981	17052981	17052981	17052723	Throttle Body Assembly
76	7048860					Idle Needle
77	7011479					Spring—Idle Needle
78	6271058					Insulator—Flange



# Delco Carburetor

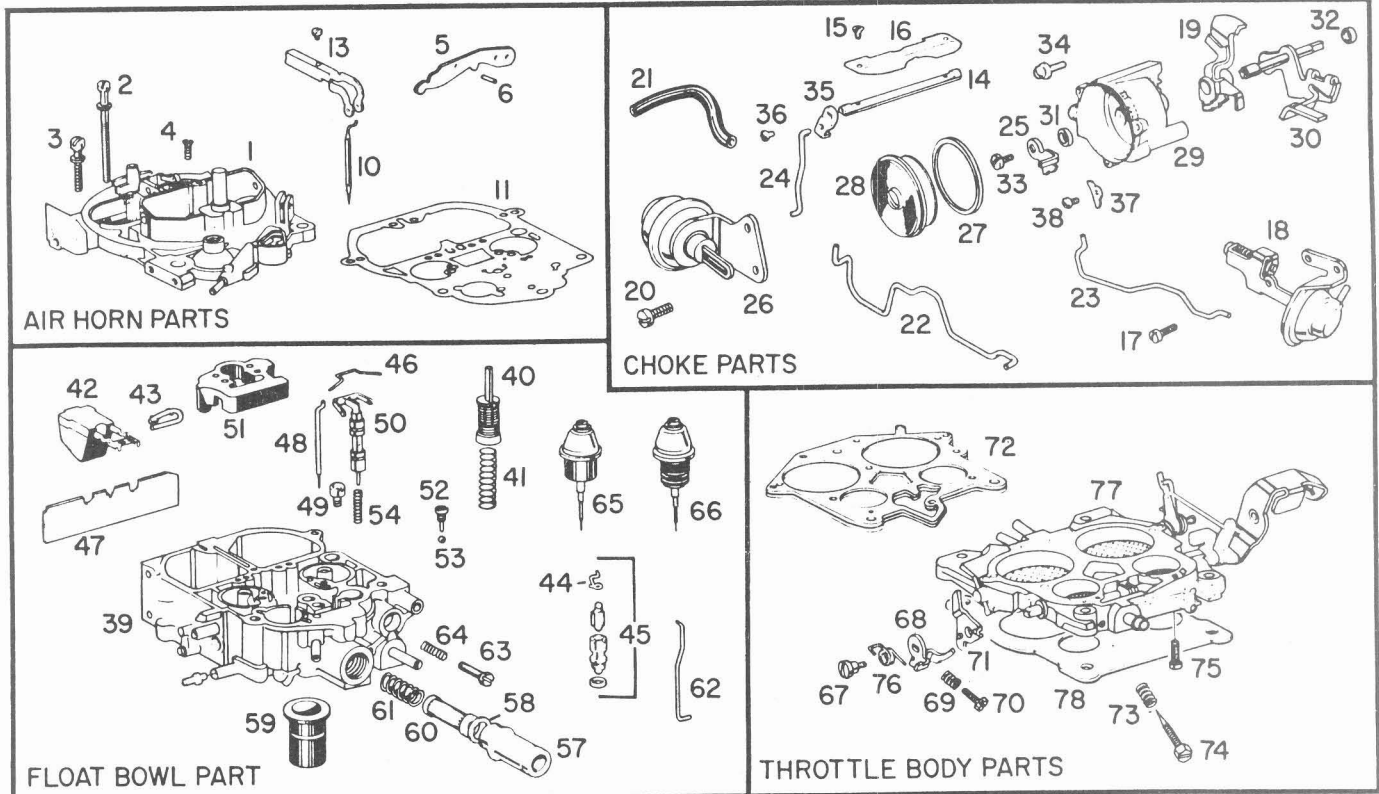
MODEL M4MC QUADRAJET

## 1976 CHEVROLET, CHEVELLE, MONTE CARLO & CAMARO

350 CUBIC INCH ENGINE

BULLETIN 9C-3102  
DATE: July, 1978  
PAGE 1  
Replaces 9C-3102  
Dated November 1975

PARTS SHOWN ARE FOR IDENTIFICATION ONLY. CONSULT PARTS LIST FOR CORRECT PART NAME AND NUMBER



**PARTS IN ALL COLUMNS SAME — EXCEPT WHERE INDICATED**

	FEDERAL CHEVROLET & CAMARO AUTO. TRANS.	FEDERAL CAMARO MAN. TRANS.	CALIFORNIA CHEVROLET, MONTE CARLO CHEVELLE AUTO. TRANS.	CALIFORNIA CAMARO MAN. TRANS.	APPLICATION
	17056202	17056203	17056502	17056503	<b>CARBURETOR No.</b>
	24-3126	24-3091	24-3126	24-3093	<b>REPLACEMENT PACKAGE No.</b>
	17052992				OVERHAUL KIT
	9299				POWER CARBURETOR KIT
	40-449				GASKET SET

Illus. No.	AIR HORN PARTS				
1	17052990				Air Horn Assembly
2	7029912				Screw—Air Horn
3	7014699				Screw—Air Horn
4	7031105				Screw—Air Horn
5	7048169				Lever—Pump Actuating
6	9428787				Roll Pin—Pump and Lockout Levers
7	—				Screw—Idle Vent Valve
8	—				Valve—Idle Vent
9	—				Idle Vent Valve Kit
10	7045779				Metering Rod—Secondary
11	17051797				Gasket—Air Horn
12	—				Lockout Lever—Air Valve
13	7034522				Secondary Metering Rod Holder Kit
—	7035344				Air Valve Spring and Cam Kit

	17056202	17056203	17056502	17056503	CARBURETOR No.
Illus. No.	CHOKE PARTS				
14	7038259				Choke Shaft
15	7029866				Screw—Choke Valve
16	7048904				Choke Valve
17	17050732				Screw—Vacuum Break Control
18	17050759				Vacuum Break Control and Bracket Assembly
19	17051176				Cam—Fast Idle
20	—				Screw—Aux. Vac. Brk. Mounting
21	7026339				Hose—Vacuum
22	7041527				Rod—Vacuum Break
—	7031231				Lever—Intermediate Choke
23	—				Link—Aux. Vac. Break
24	7041472				Rod—Choke
25	7041499				Lever—Choke Coil
26	—				Vacuum Break Control & Brkt. Assy. Aux.
27	17050961				Gasket—Stat Cover
28	17051918				Stat Cover—Coil & Gasket Assy.
29	17055545				Choke Housing Kit
30	17050754				Intermediate Choke Shaft & Lever
31	7037569				Seal Inter. Choke Shaft
32	7043367				Seal—Choke Housing to Bowl
33	7019709				Screw—Coil Lever
34	7038808				Screw—Choke Housing to Bowl
35	7041542				Lever—Choke
36	7029866				Screw—Choke Lever
37	7000614				Retainer—Stat Cover (3)
38	7011270				Screw—Stat Cover (3)
	FLOAT BOWL PARTS				
39	17053986	17053986	17052989	17052989	Float Bowl Assembly
40	17051374				Pump Assembly
41	7042979				Spring—Pump Return
42	7041468				Float Assembly
43	7041469				Hinge Pin—Float
44	7033751				Pull Clip—Float Needle
45	30-134				Needle and Seat Assembly
	KIT ONLY				Gasket—Needle Seat
46	7041459				Spring—Metering Rod—Primary
47	7031365				Baffle Plate—Float Bowl
48	17051348				Metering Rod—Primary
49	7031977				Metering Jet—Primary
50	17051792				Power Piston Assembly
51	7041471				Insert—Float Bowl
52	7029849				Retainer—Pump Discharge Ball
53	7002117				Ball—Pump Discharge
54	17052057	17052057	17052057	7037851	Spring—Power Piston
55	—				Clip—Pump Rod
56	7041473				Lockout Lever—Secondary
57	17051254				Filter Nut—Fuel Inlet
58	7024281				Gasket—Inlet Nut
59	17051796				Insert—Aneroid Cavity
60	GF-471				Filter—Fuel Inlet
61	7043568				Spring—Inlet Filter
62	7026138				Rod—Pump
63	7002121				Screw—Idle Stop
64	7003176				Spring—Idle Stop Screw
65	—	—	—	—	A.P.T. Rod Assembly
66	—	—	—	—	Aneroid Assembly
—					
—					
	THROTTLE BODY PARTS				
67	7036079				Screw—Fast Idle Levers Attaching
68	7041498				Lever—Fast Idle
69	7029900				Spring—Fast Idle Screw
70	7044794				Screw—Fast Idle Adjusting
71	7041497				Lever—Cam Follower
72	KIT ONLY				Gasket—Throttle Body
73	7011479				Spring—Idle Needle
74	7048531				Idle Needle
75	7035790				Screw—Throttle Body
76	17051494				Spring—Cam Follower Lever
77	17051921	17051923	17051921	17051923	Throttle Body Assembly
78	372506				Insulator—Flange



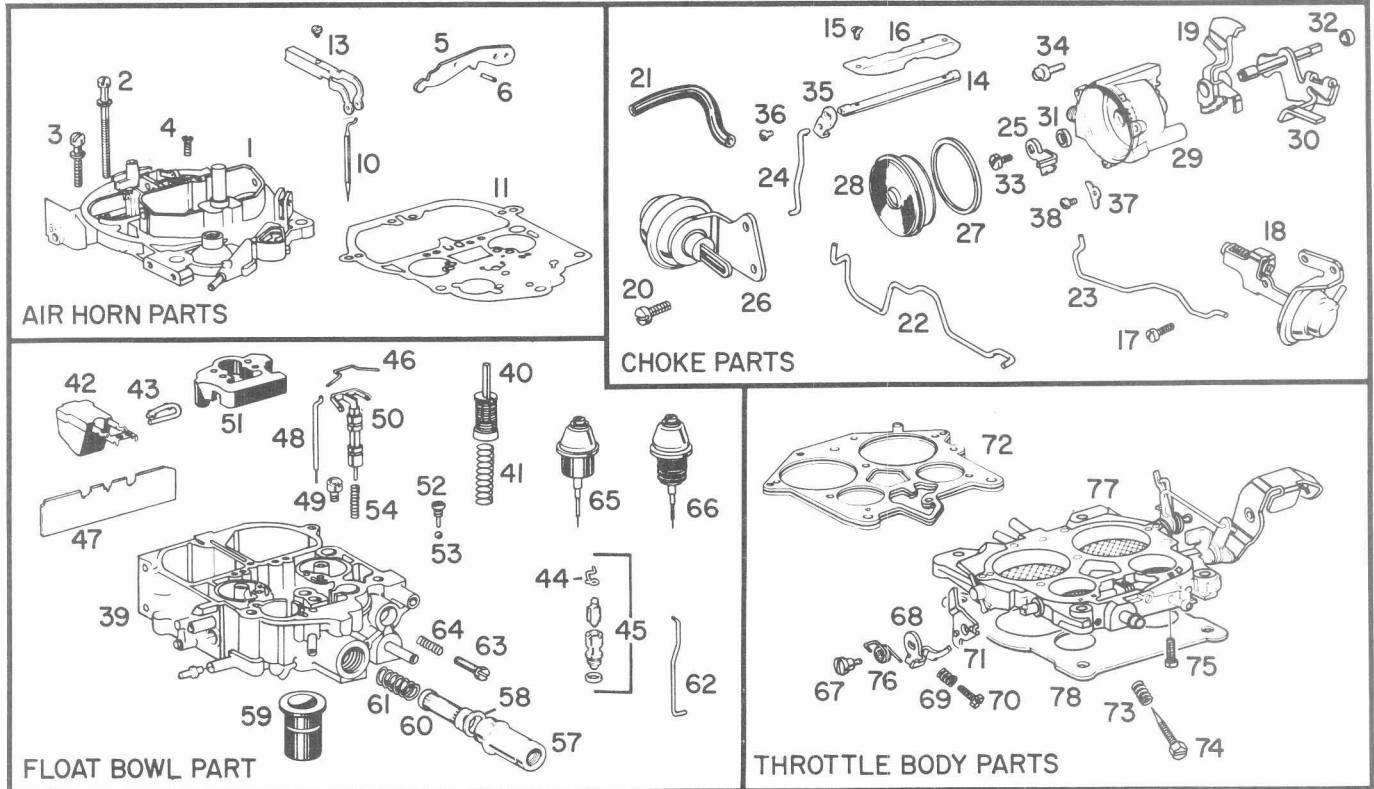


# Delco Carburetor

MODEL M4MC QUADRAJET  
 1976 CORVETTE & NOVA  
 350 CUBIC INCH ENGINE

BULLETIN 9C-3103  
 DATE: July, 1978  
 PAGE 1  
 Replaces 9C-3103  
 Dated November 1975

PARTS SHOWN ARE FOR IDENTIFICATION ONLY. CONSULT PARTS LIST FOR CORRECT PART NAME AND NUMBER



AIR HORN PARTS

CHOKE PARTS

FLOAT BOWL PART

THROTTLE BODY PARTS

**PARTS IN ALL COLUMNS SAME — EXCEPT WHERE INDICATED**

ILLUS. NO.	FEDERAL		CALIFORNIA		APPLICATION
	AUTO. TRANS.	MAN. TRANS.	AUTO. TRANS.	MAN. TRANS.	
	17056206	17056207	17056506	17056507	<b>CARBURETOR No.</b>
	24-3126	24-3091	24-3126	24-3093	<b>REPLACEMENT PACKAGE No.</b>
	17052992				OVERHAUL KIT
	9299				POWER CARBURETOR KIT
	40-449				GASKET SET
<b>AIR HORN PARTS</b>					
1	17052990				Air Horn Assembly
2	7029912				Screw—Air Horn
3	7014699				Screw—Air Horn
4	7031105				Screw—Air Horn
5	7048169				Lever—Pump Actuating
6	9428787				Roll Pin—Pump and Lockout Levers
7	—				Screw—Idle Vent Valve
8	—				Valve—Idle Vent
9	—				Idle Vent Valve Kit
10	7045779				Metering Rod—Secondary
11	17051797				Gasket—Air Horn
12	—				Lockout Lever—Air Valve
13	7034522				Secondary Metering Rod Holder Kit
—	7035344				Air Valve Spring and Cam Kit

	17056206	17056207	17056506	17056507	CARBURETOR No.
Illus. No.	CHOKE PARTS				
14	7038259				Choke Shaft
15	7029866				Screw—Choke Valve
16	7048904				Choke Valve
17	17050732				Screw—Vacuum Break Control
18	17050759				Vacuum Break Control and Bracket Assembly
19	17051176				Cam—Fast Idle
20	—				Screw—Aux. Vac. Brk. Mounting
21	7026339				Hose—Vacuum
22	7041527				Rod—Vacuum Break
—	7031231				Lever—Intermediate Choke
23	—				Link Aux. Vac. Brk.
24	7041472				Rod—Choke
25	7041499				Lever—Choke Coil
26	—				Vacuum Break Control & Brkt. Assy. Aux.
27	17050961				Gasket—Stat Cover
28	17051918				Stat Cover Coil & Gasket Assy.
29	17055545				Choke Housing Kit
30	17050754				Intermediate Choke Shaft & Lever
31	7037569				Seal Inter. Choke Shaft
32	7043367				Seal—Choke Housing to Bowl
33	7019709				Screw—Coil Lever
34	7038808				Screw—Choke Housing to Bowl
35	7041542				Lever—Choke
36	7029866				Screw—Choke Lever
37	7000614				Retainer—Stat Cover (3)
38	7011270				Screw—Stat Cover (3)
	FLOAT BOWL PARTS				
39	17053986	17053986	17052989	17052989	Float Bowl Assembly
40	17051374				Pump Assembly
41	7042979				Spring—Pump Return
42	7041468				Float Assembly
43	7041469				Hinge Pin—Float
44	7033751				Pull Clip—Float Needle
45	30-134				Needle and Seat Assembly
45A	KIT ONLY				Gasket—Needle Seat
46	7041459				Spring—Metering Rod—Primary
47	7031365				Baffle Plate—Float Bowl
48	17051348				Metering Rod—Primary
49	7031977				Metering Jet—Primary
50	17051792				Power Piston Assembly
51	7041471				Insert—Float Bowl
52	7029849				Retainer—Pump Discharge Ball
53	7002117				Ball—Pump Discharge
54	17052057	17052057	17052057	7037851	Spring—Power Piston
55	—				Clip—Pump Rod
56	7041473				Lockout Lever—Secondary
57	17051254				Filter Nut—Fuel Inlet
58	7024281				Gasket—Inlet Nut
59	17051796				Insert—Aneroid Cavity
60	GF-471				Filter—Fuel Inlet
61	7043568				Spring—Inlet Filter
62	7026138				Rod—Pump
63	7002121				Screw—Idle Stop
64	7003176				Spring—Idle Stop Screw
65	—	—	—	—	A.P.T. Rod Assy.
66	—	—	—	—	Aneroid Assy.
—					
—					
	THROTTLE BODY PARTS				
67	7036079				Screw—Fast Idle Levers Attaching
68	7041498				Lever—Fast Idle
69	7029900				Spring—Fast Idle Screw
70	7044794				Screw—Fast Idle Adjusting
71	7041497				Lever—Cam Follower
72	KIT ONLY				Gasket—Throttle Body
73	7011479				Spring—Idle Needle
74	7048531				Idle Needle
75	7035790				Screw—Throttle Body
76	17051494				Spring—Cam Follower Lever
77	17051921	17051923	17051921	17051923	Throttle Body Assembly
78	372506				Insulator—Flange



# Delco Carburetor

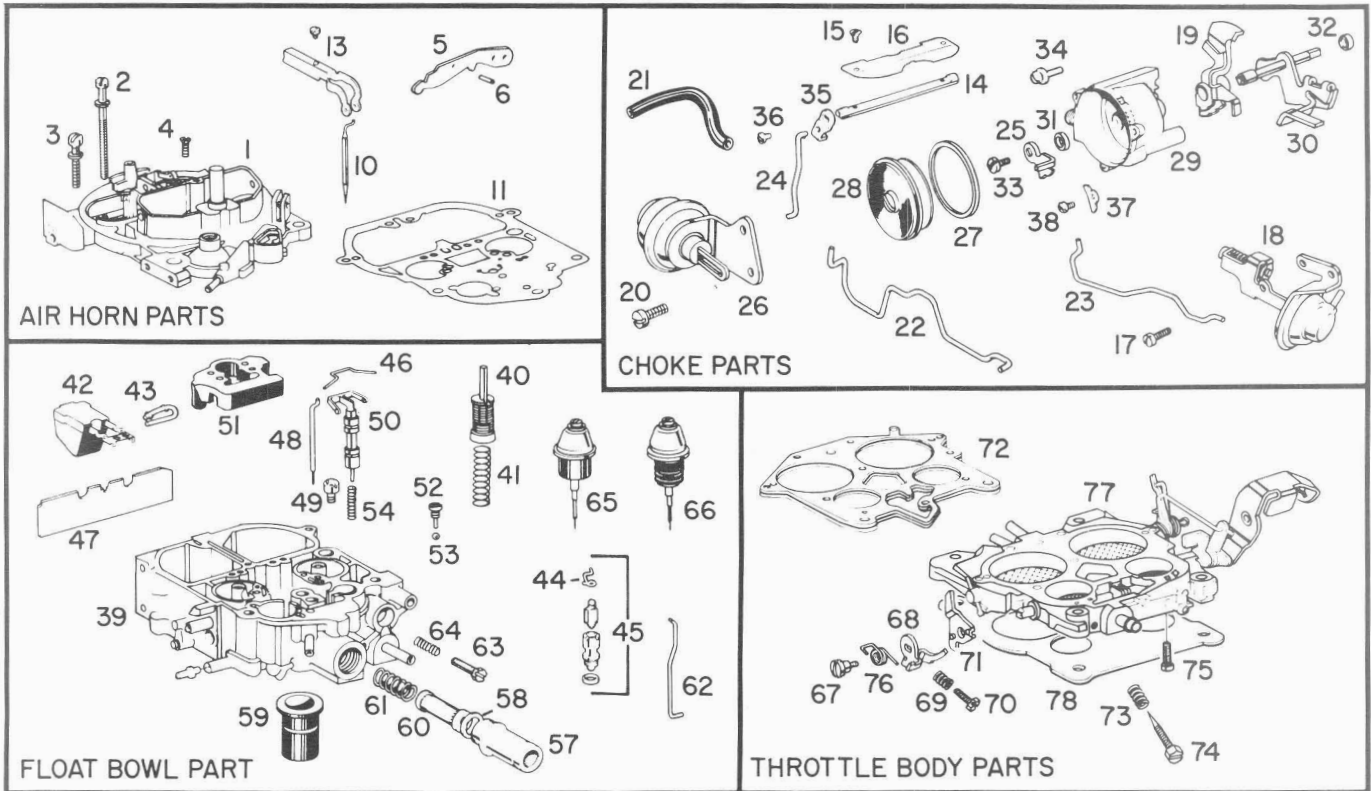
MODEL M4MC QUADRAJET

1976 CORVETTE

HIGH PERFORMANCE  
350 CUBIC INCH ENGINE

BULLETIN 9C-3104  
DATE: July, 1978  
PAGE 1  
Replaces 9C-3104  
Dated November 1975

PARTS SHOWN ARE FOR IDENTIFICATION ONLY. CONSULT PARTS LIST FOR CORRECT PART NAME AND NUMBER



**PARTS IN ALL COLUMNS SAME — EXCEPT WHERE INDICATED**

	FEDERAL AUTO. TRANS.	FEDERAL MAN. TRANS.	FEDERAL AIR COND. AUTO. TRANS.	APPLICATION
	<b>17056210</b>	<b>17056211</b>	<b>17056226</b>	<b>CARBURETOR No.</b>
	<b>24-3106</b>	<b>24-3105</b>	<b>24-3106</b>	<b>REPLACEMENT PACKAGE No.</b>
	17053998			OVERHAUL KIT
	9299			POWER CARBURETOR KIT
	40-449			GASKET SET

Illus. No.	AIR HORN PARTS			
1	17053814			Air Horn Assembly
2	7029912			Screw—Air Horn
3	7014699			Screw—Air Horn
4	7031105			Screw—Air Horn
5	7048169			Lever—Pump Actuating
6	9428787			Roll Pin—Pump and Lockout Levers
7	—			Screw—Idle Vent Valve
8	—			Valve—Idle Vent
9	—			Idle Vent Valve Kit
10	7045779			Metering Rod—Secondary
11	17051797			Gasket—Air Horn
12	—			Lockout Lever—Air Valve
13	7034522			Secondary Metering Rod Holder Kit
—	7035344			Air Valve Spring and Cam Kit

	17056210	17056211	17056226	CARBURETOR No.
Illus. No.	CHOKE PARTS			
14	7038259			Choke Shaft and Lever Assembly
15	7029866			Screw—Choke Valve
16	7048904			Choke Valve
17	17050732			Screw—Vacuum Break Control
18	17053201			Vacuum Break Control and Bracket Assembly
19	17051176			Cam—Fast Idle
20	—			Screw—Aux. Vac. Brk. Mounting
21	7026339			Hose—Vacuum
22	7041527			Rod—Vacuum Break
—	7031231			Lever—Intermediate Choke
23	—			Link—Aux. Vac. Brk.
24	7041472			Rod—Choke
25	7041499			Lever—Choke Coil
26	—			Vacuum Break Control & Brkt. Assy. Aux.
27	17050961			Gasket Stat Cover
28	17051918			Stat Cover—Coil & Gasket Assy.
29	17055545			Choke Housing Kit
30	17050754			Intermediate Choke Shaft & Lever
31	7037569			Seal Inter Choke Shaft
32	7043367			Seal—Choke Housing to Bowl
33	7019709			Screw—Coil Lever
34	7038808			Screw—Choke Housing to Bowl
35	7041542			Lever—Choke
36	7029866			Screw—Choke Lever
37	7000614			Retainer—Stat Cover (3)
38	7011270			Screw—Stat Cover (3)
	FLOAT BOWL PARTS			
39	17053983			Float Bowl Assembly
40	17051374			Pump Assembly
41	7042979			Spring—Pump Return
42	7041468			Float Assembly
43	7041469			Hinge Pin—Float
44	7033751			Pull Clip—Float Needle
45	30-134			Needle and Seat Assembly
45A	KIT ONLY			Gasket—Needle Seat
46	7041459			Spring—Metering Rod—Primary
47	7031365			Baffle Plate—Float Bowl
48	17051351			Metering Rod—Primary
49	7031977			Metering Jet—Primary
50	17051792			Power Piston Assembly
51	7041471			Insert—Float Bowl
52	7029849			Retainer—Pump Discharge Ball
53	7002117			Ball—Pump Discharge
54	17052057			Spring—Power Piston
55	—			Clip—Pump Rod
56	7041473			Lockout Lever—Secondary
57	17051254			Filter Nut—Fuel Inlet
58	7024281			Gasket—Inlet Nut
59	17051796			Insert—Aneroid Cavity
60	GF-471			Filter—Fuel Inlet
61	7043568			Spring—Inlet Filter
62	7026138			Rod—Pump
63	7002121			Screw—Idle Stop
64	7003176			Spring—Idle Stop Screw
—	NONE	NONE	*1997437	Solenoid & Bracket Assembly
—	NONE	NONE	7043682	Screw Solenoid Brkt. Attaching (2)
	THROTTLE BODY PARTS			
67	7036079			Screw—Fast Idle Levers Attaching
68	7041498			Lever—Fast Idle
69	7029900			Spring—Fast Idle Screw
70	7044794			Screw—Fast Idle Adjusting
71	7041497			Lever—Cam Follower
72	KIT ONLY			Gasket—Throttle Body
73	7011479			Spring—Idle Needle
74	7048531			Idle Needle
75	7035790			Screw—Throttle Body
76	17051494			Spring—Cam Follower Lever
77	17051923			Throttle Body Assembly
78	372506			Insulator—Flange

\*Solenoid &amp; Bracket Available Through Delco-Remy



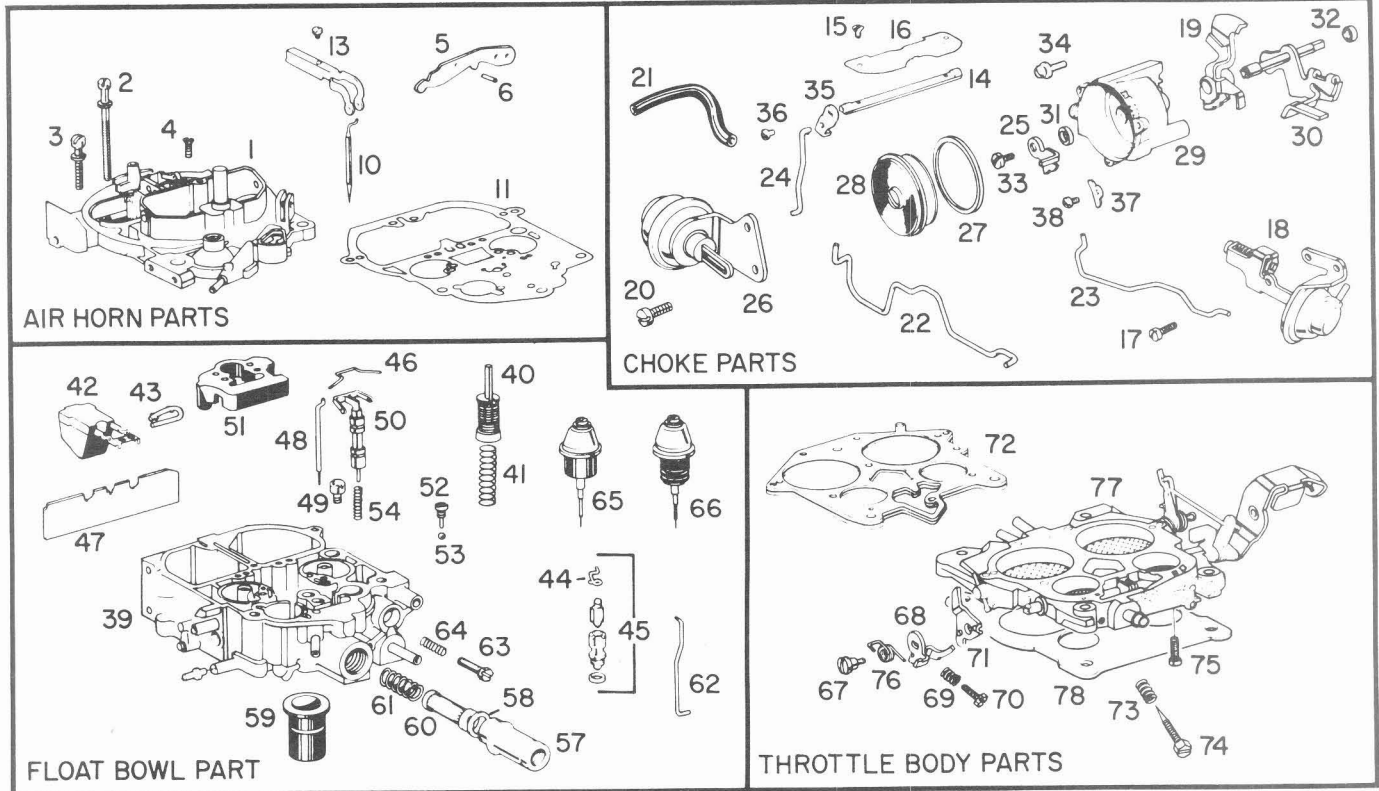
# Delco Carburetor

MODEL M4MC-M4ME QUADRAJET

1976-77 CHEVROLET, CHEVELLE, MONTE CARLO,  
CAMARO, NOVA & CORVETTE (Canada Only)  
350-454 CU. IN. ENGINE (Without Convertor)

BULLETIN 9C-3105  
DATE: July, 1978  
PAGE 1  
Replaces 9C-3105  
Dated November 1976

PARTS SHOWN ARE FOR IDENTIFICATION ONLY. CONSULT PARTS LIST FOR CORRECT PART NAME AND NUMBER



**PARTS IN ALL COLUMNS SAME — EXCEPT WHERE INDICATED**

	1976-77 M4MC A, ASP, B, F 350 AUTO. TRANS.	1976 M4MC X-Y BODY 350 AUTO. TRANS.	1976 M4ME B-BODY 454 AUTO. TRANS.	APPLICATION
	<b>17056281</b>	<b>17056282</b>	<b>17056286</b>	<b>CARBURETOR No.</b>
	<b>24-3111</b>	<b>24-3112</b>	<b>24-3129</b>	<b>REPLACEMENT PACKAGE No.</b>
	17054217	17054217	17054018	OVERHAUL KIT
	9312	9312	9299	POWER CARBURETOR KIT
	40-449			GASKET SET

Illus. No.	AIR HORN PARTS			
1	17052990	17052990	17053981	Air Horn Assembly
2	7029912			Screw—Air Horn
3	7014699			Screw—Air Horn
4	7031105			Screw—Air Horn
5	7048169			Lever—Pump Actuating
6	9428787			Roll Pin—Pump and Lockout Levers
7	—			Screw—Idle Vent Valve
8	—			Valve—Idle Vent
9	—			Idle Vent Valve Kit
10	7045779	7045779	17053659	Metering Rod—Secondary
11	17051797			Gasket—Air Horn
12	—			Lockout Lever—Air Valve
13	7034522			Secondary Metering Rod Holder Kit
—	7035344			Air Valve Spring and Cam Kit

	17056281	17056282	17056286	CARBURETOR No.
Illus. No.	CHOKE PARTS			
14	7038259			Choke Shaft and Lever Assembly
15	7029866			Screw—Choke Valve
16	7048904			Choke Valve
17	17050732			Screw—Vacuum Break Control
18	17050759	17050759	7043013	Vacuum Break Control & Bracket Assembly
19	17051176			Cam—Fast Idle
20	7043682			Screw—Aux. Vac. Brk. Mounting
21	7026339			Hose—Vacuum
22	7041527			Rod—Vacuum Break
—	7031231			Lever—Intermediate Choke
23	—	—	7041496	Link—Aux. Vac. Brk.
24	7041472			Rod—Choke
25	7041499	7041499	7043368	Lever—Choke Coil
26	—	—	7044027	Vacuum Break Control & Brkt. Assy. Aux.
27	17050961	17050961	NONE	Gasket Stat Cover
28	—	—	17053419	Electric Stat Cover & Coil Assy.
28A	17051918	17051918	NONE	Stat Cover—Coil & Gasket Assy.
29	17055545	17055545	17051958	Choke Housing Kit
30	17050754	17050754	17053421	Intermediate Choke Shaft & Lever
31	7037569			Seal Inter Choke Shaft
32	7043367	7043367	NONE	Seal—Choke Housing to Bowl
33	7019709			Screw—Coil Lever
34	7038808			Screw—Choke Housing to Bowl
35	7041542			Lever—Choke
36	7029866			Screw—Choke Lever
37	7000614			Retainer—Stat Cover (3)
38	7011270			Screw—Stat Cover (3)
	FLOAT BOWL PARTS			
39	17052989	17052989	17053812	Float Bowl Assembly
40	17051374			Pump Assembly
41	7042979			Spring—Pump Return
42	7041468			Float Assembly
43	7041469			Hinge Pin—Float
44	7033751			Pull Clip—Float Needle
45	30-151	30-151	30-134	Needle and Seat Assembly
45A	KIT ONLY			Gasket—Needle Seat
46	7041459			Spring—Metering Rod—Primary
47	7031365			Baffle Plate—Float Bowl
48	17051348	17051348	17051345	Metering Rod—Primary
49	7031977			Metering Jet—Primary
50	17051792			Power Piston Assembly
51	7041471			Insert—Float Bowl
52	7029849			Retainer—Pump Discharge Ball
53	7002117			Ball—Pump Discharge
54	17052057	17052057	7041477	Spring—Power Piston
55	—			Clip—Pump Rod
56	7041473			Lockout Lever—Secondary
57	17051254			Filter Nut—Fuel Inlet
58	7024281			Gasket—Inlet Nut
59	17051796			Insert—Aneroid Cavity
60	GF-471			Filter—Fuel Inlet
61	7043568			Spring—Inlet Filter
62	7026138			Rod—Pump
63	7002121			Screw—Idle Stop
64	7003176			Spring—Idle Stop Screw
65	—			A. P. T. Rod Assembly
66	—			Aneroid Assembly
	THROTTLE BODY PARTS			
67	7036079			Screw—Fast Idle Levers Attaching
68	7041498			Lever—Fast Idle
69	7029900			Spring—Fast Idle Screw
70	7044794			Screw—Fast Idle Adjusting
71	7041497			Lever—Cam Follower
72	KIT ONLY			Gasket—Throttle Body
73	7011479			Spring—Idle Needle
74	7048531			Idle Needle
75	7035790			Screw—Throttle Body
76	17051494			Spring—Cam Follower Lever
77	17051921	17051921	17053827	Throttle Body Assembly
78	372506			Insulator—Flange



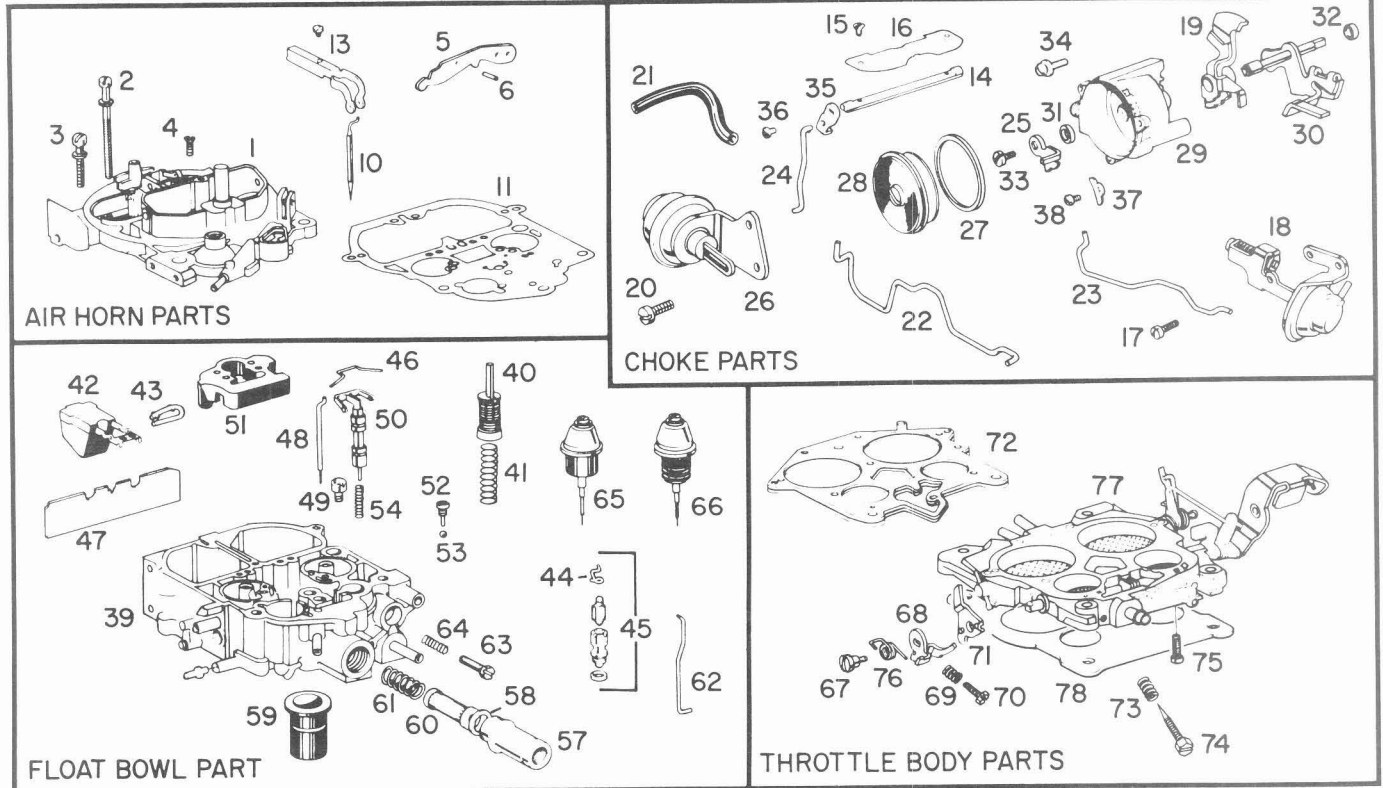
# Delco Carburetor

MODEL M4MC-M4ME QUADRAJET

1976-77 CHEVROLET, CHEVELLE, MONTE CARLO,  
CAMARO, NOVA & CORVETTE (Canada Only)  
350-454 CU. IN. ENGINE (Without Convertor)

BULLETIN 9C-3105  
DATE: July, 1978  
PAGE 1  
Replaces 9C-3105  
Dated November 1976

PARTS SHOWN ARE FOR IDENTIFICATION ONLY. CONSULT PARTS LIST FOR CORRECT PART NAME AND NUMBER



**PARTS IN ALL COLUMNS SAME — EXCEPT WHERE INDICATED**

	1976-77 M4MC A, ASP, B, F 350 AUTO. TRANS.	1976 M4MC X-Y BODY 350 AUTO. TRANS.	1976 M4ME B-BODY 454 AUTO. TRANS.	APPLICATION
	<b>17056281</b>	<b>17056282</b>	<b>17056286</b>	<b>CARBURETOR No.</b>
	<b>24-3111</b>	<b>24-3112</b>	<b>24-3129</b>	<b>REPLACEMENT PACKAGE No.</b>
	17054217	17054217	17054018	OVERHAUL KIT
	9312	9312	9299	POWER CARBURETOR KIT
	40-449			GASKET SET

Illus. No.	AIR HORN PARTS			
1	17052990	17052990	17053981	Air Horn Assembly
2	7029912			Screw—Air Horn
3	7014699			Screw—Air Horn
4	7031105			Screw—Air Horn
5	7048169			Lever—Pump Actuating
6	9428787			Roll Pin—Pump and Lockout Levers
7	—			Screw—Idle Vent Valve
8	—			Valve—Idle Vent
9	—			Idle Vent Valve Kit
10	7045779	7045779	17053659	Metering Rod—Secondary
11	17051797			Gasket—Air Horn
12	—			Lockout Lever—Air Valve
13	7034522			Secondary Metering Rod Holder Kit
—	7035344			Air Valve Spring and Cam Kit

	17056281	17056282	17056286	CARBURETOR No.
Illus. No.	CHOKE PARTS			
14	7038259			Choke Shaft and Lever Assembly
15	7029866			Screw—Choke Valve
16	7048904			Choke Valve
17	17050732			Screw—Vacuum Break Control
18	17050759	17050759	7043013	Vacuum Break Control & Bracket Assembly
19	17051176			Cam—Fast Idle
20	7043682			Screw—Aux. Vac. Brk. Mounting
21	7026339			Hose—Vacuum
22	7041527			Rod—Vacuum Break
—	7031231			Lever—Intermediate Choke
23	—	—	7041496	Link—Aux. Vac. Brk.
24	7041472			Rod—Choke
25	7041499	7041499	7043368	Lever—Choke Coil
26	—	—	7044027	Vacuum Break Control & Brkt. Assy. Aux.
27	17050961	17050961	NONE	Gasket Stat Cover
28	—	—	17053419	Electric Stat Cover & Coil Assy.
28A	17051918	17051918	NONE	Stat Cover—Coil & Gasket Assy.
29	17055545	17055545	17051958	Choke Housing Kit
30	17050754	17050754	17053421	Intermediate Choke Shaft & Lever
31	7037569			Seal Inter Choke Shaft
32	7043367	7043367	NONE	Seal—Choke Housing to Bowl
33	7019709			Screw—Coil Lever
34	7038808			Screw—Choke Housing to Bowl
35	7041542			Lever—Choke
36	7029866			Screw—Choke Lever
37	7000614			Retainer—Stat Cover (3)
38	7011270			Screw—Stat Cover (3)
	FLOAT BOWL PARTS			
39	17052989	17052989	17053812	Float Bowl Assembly
40	17051374			Pump Assembly
41	7042979			Spring—Pump Return
42	7041468			Float Assembly
43	7041469			Hinge Pin—Float
44	7033751			Pull Clip—Float Needle
45	30-151	30-151	30-134	Needle and Seat Assembly
45A	KIT ONLY			Gasket—Needle Seat
46	7041459			Spring—Metering Rod—Primary
47	7031365			Baffle Plate—Float Bowl
48	17051348	17051348	17051345	Metering Rod—Primary
49	7031977			Metering Jet—Primary
50	17051792			Power Piston Assembly
51	7041471			Insert—Float Bowl
52	7029849			Retainer—Pump Discharge Ball
53	7002117			Ball—Pump Discharge
54	17052057	17052057	7041477	Spring—Power Piston
55	—			Clip—Pump Rod
56	7041473			Lockout Lever—Secondary
57	17051254			Filter Nut—Fuel Inlet
58	7024281			Gasket—Inlet Nut
59	17051796			Insert—Aneroid Cavity
60	GF-471			Filter—Fuel Inlet
61	7043568			Spring—Inlet Filter
62	7026138			Rod—Pump
63	7002121			Screw—Idle Stop
64	7003176			Spring—Idle Stop Screw
65	—			A.P.T. Rod Assembly
66	—			Aneroid Assembly
	THROTTLE BODY PARTS			
67	7036079			Screw—Fast Idle Levers Attaching
68	7041498			Lever—Fast Idle
69	7029900			Spring—Fast Idle Screw
70	7044794			Screw—Fast Idle Adjusting
71	7041497			Lever—Cam Follower
72	KIT ONLY			Gasket—Throttle Body
73	7011479			Spring—Idle Needle
74	7048531			Idle Needle
75	7035790			Screw—Throttle Body
76	17051494			Spring—Cam Follower Lever
77	17051921	17051921	17053827	Throttle Body Assembly
78	372506			Insulator—Flange





# Delco Carburetor

MODEL M4MC-M4ME QUADRAJET

1976 CHEVROLET, CHEVELLE, MONTE CARLO,  
EL CAMINO & SPRINT

400-454 CUBIC INCH ENGINE

BULLETIN 9C-3106

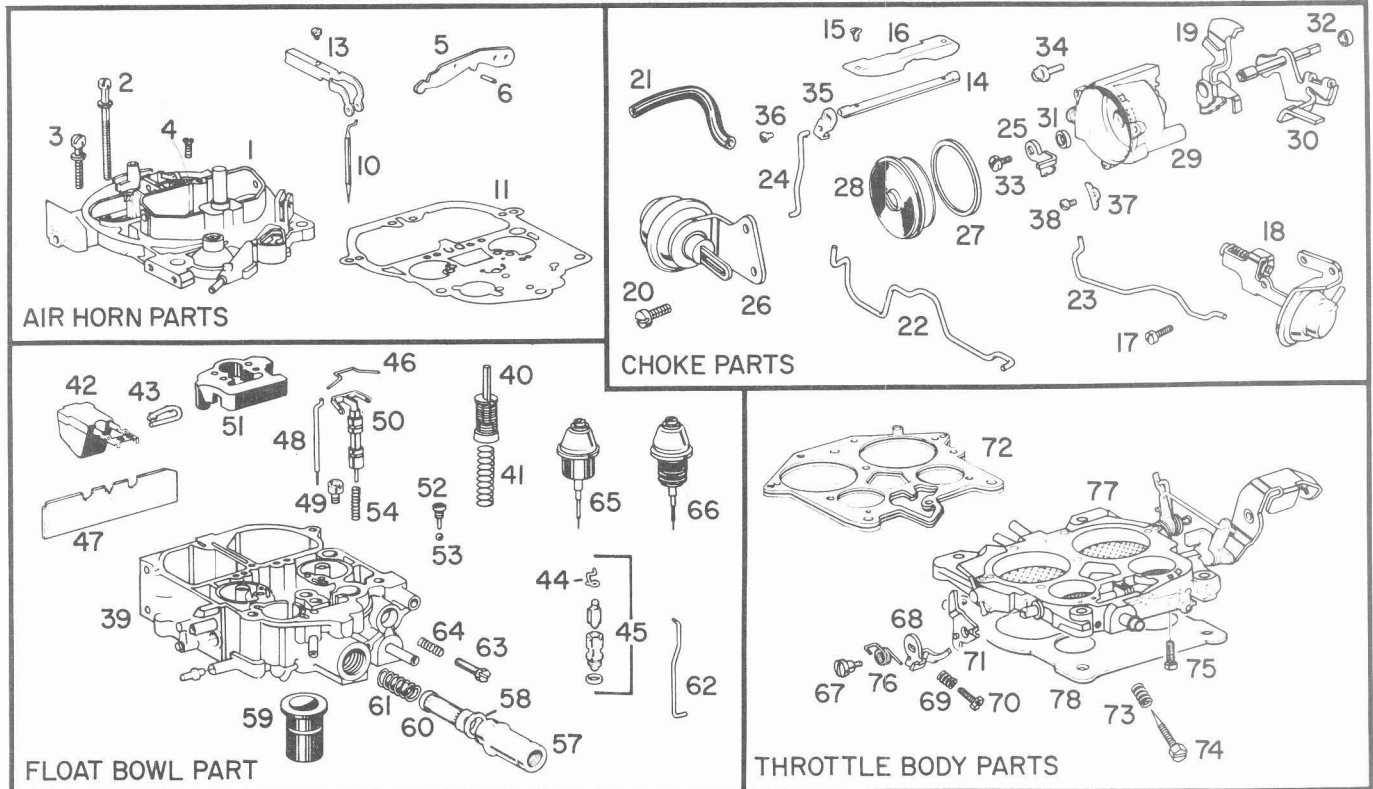
DATE: July, 1978

PAGE 1

Replaces 9C-3106

Dated November 1975

PARTS SHOWN ARE FOR IDENTIFICATION ONLY. CONSULT PARTS LIST FOR CORRECT PART NAME AND NUMBER



**PARTS IN ALL COLUMNS SAME — EXCEPT WHERE INDICATED**

	M4ME FEDERAL 454 B-BODY AUTO. TRANS.	M4MC FEDERAL 400 ALL AUTO. TRANS.	M4MC CALIFORNIA 400 ALL AUTO. TRANS.	APPLICATION
	17056200	17056228	17056528	<b>CARBURETOR No.</b>
	24-3102	24-3126	24-3101	<b>REPLACEMENT PACKAGE No.</b>
	17052992			OVERHAUL KIT
	9299			POWER CARBURETOR KIT
	40-449			GASKET SET
Illus. No.	AIR HORN PARTS			
1	17053981	17052990	17052990	Air Horn Assembly
2	7029912			Screw—Air Horn
3	7014699			Screw—Air Horn
4	7031105			Screw—Air Horn
5	7048169			Lever—Pump Actuating
6	9428787			Roll Pin—Pump and Lockout Levers
7	—			Screw—Idle Vent Valve
8	—			Valve—Idle Vent
9	—			Idle Vent Valve Kit
10	17053659	17053531	17053531	Metering Rod—Secondary
11	17051797			Gasket—Air Horn
12	—			Lockout Lever—Air Valve
13	7034522			Secondary Metering Rod Holder Kit
—	7035344			Air Valve Spring and Cam Kit
	CHOKE PARTS			
14	7038259			Choke Shaft
15	7029866			Screw—Choke Valve
16	7048904			Choke Valve
17	17050732			Screw—Vacuum Break Control
18	7044020	17050759	17050759	Vacuum Break Control and Bracket Assembly

	17056200	17056228	17056528	CARBURETOR No.
Illus. No.	CHOKE PARTS (Continued)			
19	7042922	17051176	17051176	Cam—Fast Idle
20	7043682	NONE	NONE	Screw—Aux. Vac. Brk. Mounting
21	7026339			Hose—Vacuum
22	7041527			Rod—Vacuum Break
—	7031231			Lever—Intermediate Choke
23	7041496	NONE	NONE	Link—Aux. Vac. Break
24	7041472			Rod—Choke
25	7043368	7041499	7041499	Lever—Choke Coil
26	7044027	NONE	NONE	Vacuum Break Control & Brkt. Assy. Aux.
27	NONE	17050961	17050961	Gasket—Stat Cover
28	17053419	NONE	NONE	Electric Stat Cover & Coil Assy.
28A	NONE	17051918	17051918	Stat Cover—Coil & Gasket Assy.
29	17051958	17055545	17055545	Choke Housing Kit
30	17053421	17050754	17050754	Intermediate Choke Shaft & Lever
31	7037569			Seal—Inter Choke Shaft
32	NONE	7043367	7043367	Seal—Choke Housing To Bowl
33	7019709			Screw—Coil Lever
34	7038808			Screw—Choke Housing to Bowl
35	7041542			Lever—Choke
36	7029866			Screw—Choke Lever
37	7000614			Retainer—Stat Cover (3)
38	7011270			Screw—Stat Cover (3)
	FLOAT BOWL PARTS			
39	17053812	17053986	17052989	Float Bowl Assembly
40	17051374			Pump Assembly
41	7042979			Spring—Pump Return
42	7041468			Float Assembly
43	7041469			Hinge Pin—Float
44	7033751			Pull Clip—Float Needle
45	30-134			Needle and Seat Assembly
45A	KIT ONLY			Gasket—Needle Seat
46	7041459			Spring—Metering Rod—Primary
47	7031365			Baffle Plate—Float Bowl
48	17051346	17051348	17051348	Metering Rod—Primary
49	7031979	7031977	7031977	Metering Jet—Primary
50	17051792			Power Piston Assembly
51	7041471			Insert—Float Bowl
52	7029849			Retainer—Pump Discharge Ball
53	7002117			Ball—Pump Discharge
54	7041477	17052057	7037851	Spring—Power Piston
55	—			Clip—Pump Rod
56	7041473			Lockout Lever—Secondary
57	17051254			Filter Nut—Fuel Inlet
58	7024281			Gasket—Inlet Nut
59	17051796			Insert—Aneroid Cavity
60	GF-471			Filter—Fuel Inlet
61	7043568			Spring—Inlet Filter
62	7026138			Rod—Pump
63	7002121			Screw—Idle Stop
64	7003176			Spring—Idle Stop Screw
65	—			A.P.T. Rod Assy.
66	—			Aneroid Assy.
—	—			Locking Washer—Retaining Nut
—	—			Solenoid & Bracket Assy.
—	—			Screw Bracket Attaching
	THROTTLE BODY PARTS			
67	7036079			Screw—Fast Idle Levers Attaching
68	7041498			Lever—Fast Idle
69	7029900			Spring—Fast Idle Screw
70	7044794			Screw—Fast Idle Adjusting
71	7041497			Lever—Cam Follower
72	KIT ONLY			Gasket—Throttle Body
73	7011479			Spring—Idle Needle
74	7048532	7048531	7048531	Idle Needle
75	7035790			Screw—Throttle Body
76	17051494			Spring—Cam Follower Lever
77	17053494	17051921	17051921	Throttle Body Assembly
78	372506			Insulator—Flange



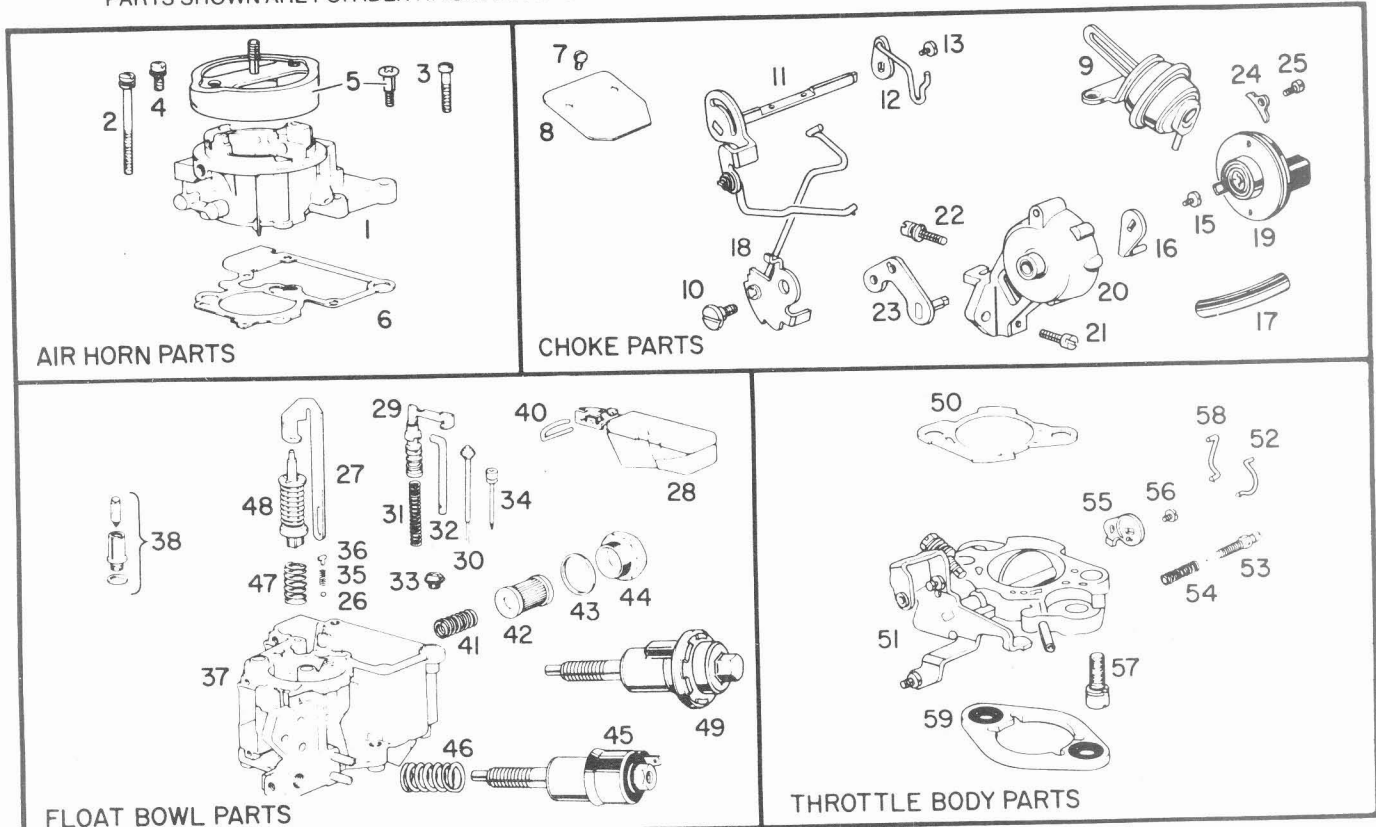
# Delco Carburetor

MODEL 1ME MONOJET  
1976 CHEVROLET CHEVETTE & PONTIAC ACADIAN  
(SERVICE CARBURETOR)

BULLETIN: 9C-3132  
DATE: NOVEMBER 1977  
PAGE: 1

85-97.6 CUBIC INCH "4"

PARTS SHOWN ARE FOR IDENTIFICATION ONLY. CONSULT PARTS LIST FOR CORRECT PART NAME AND NUMBER



AIR HORN PARTS

CHOKE PARTS

FLOAT BOWL PARTS

THROTTLE BODY PARTS

**PARTS IN ALL COLUMNS SAME — EXCEPT WHERE INDICATED**

	FED. CALIF. 85 CU. IN. MAN. TRANS.	FED. CALIF. 85-CU. IN. AUTO. TRANS.	FED. CALIF. 97.6-CU. IN. MAN. TRANS.	FED. CALIF. 97.6-CU. IN. AUTO. TRANS.	APPLICATION
	<b>17055051</b>	<b>17055052</b>	<b>17055065</b>	<b>17055064</b>	<b>CARBURETOR No. (Non Air Cond.)</b>
	<b>17055051</b>	<b>17055052</b>	<b>17055065</b>	<b>17055064</b>	<b>CARBURETOR No. (Air Con.)</b>
	<b>21-3113</b>	<b>21-3112</b>	<b>21-3115</b>	<b>21-3080</b>	<b>REPLACEMENT PACKAGE No.</b>
	NSS	17055250	17055246	17055246	<b>OVERHAUL KIT</b>
	9304				<b>POWER CARBURETOR KIT</b>
	40-451				<b>GASKET SET</b>
	<b>AIR HORN PARTS</b>				
Illus. No.	17054461	17054461	17054462	17054462	Air Horn Assembly
1	7043089				Screw—Air Horn (Long) (3)
2	7030917				Screw—Air Horn (Short) (2)
3	7043088				Screw—Air Horn (1)
4	17053835				Air-Cleaner Adapter & Screw
5	7037591				Gasket—Air Horn
6					
	<b>CHOKE PARTS</b>				
7	7020926				Screw—Choke Valve (2)
8	7049918				Choke Valve
9	17051663				Vac. Brk. Control Assy. Bowl Side
10	7003561				Screw—Cam Attaching
11	7044437				Choke Shaft Lever & Link Assembly
12	7044447				Vac. Brk. Lever & Link Assy.
13	7019709				Screw—Vac. Brk. Lever Attaching
14					
15	7019709				Screw—Stat Lever Attaching
16	7044088				Lever—Stat Coil
17	7026339				Hose Vacuum Break
18	17054834				Cam & Link Assy.

	17055051	17055052	17055065	17055064	CARBURETOR No. (Non Air Cond.)
	17055051	17055052	17055065	17055064	CARBURETOR No. (Air Cond.)
Illus. No.	CHOKE PARTS (Continued)				
19	17056619				Electric Stat Cover & Coil Assy.
20	7044199				Choke Housing & Bearing Assy.
21	17051625				Screw—Choke Housing to Bowl (1)
22	17051626				Screw—Choke Housing to Bowl (2)
23	17051637				Choke Coil Lever & Shaft Assy.
24	7000614				Retainer—Choke Cover (3)
25	7011270				Screw—Choke Cover (3)
FLOAT BOWL PARTS					
26	7002117				Ball—Pump Discharge
27	17056474				Lever—Pump Actuating
28	17051624				Float Assembly
29	17051619				Power Piston Assembly
30	17053549	17053551	17053550	17053550	Metering Rod & Spring Assembly
31	7044003				Spring—Power Piston
32	7044005				Rod—Power Piston
33	17051617	17053544	17053545	17053545	Jet—Main Metering
34	17053628				Idle Tube Assembly
35	7002118				Spring—Pump Discharge
36	7003838				Guide—Pump Discharge
37	17054208	17054203	17054206	17054206	Float Bowl Assembly Kit
38	30-153				Needle & Seat Assembly
39	KIT ONLY				Gasket—Needle Seat
40	7034032				Hinge Pin—Float
41	7032732				Spring—Fuel Filter
42	GF-470				Filter—Fuel Inlet
43	7032508				Gasket—Filter Nut
44	7038946				Filter Nut—Fuel Inlet
45	7040219				Solenoid—Idle Stop
46	7040519				Spring—Solenoid Locking
47	7004597				Spring—Pump Return
48	7048801				Pump Assembly
49	—				Dash Pot Assembly
THROTTLE BODY PARTS					
50	KIT ONLY				Gasket—Throttle Body
51	N.S.S.				Throttle Body Assembly
52	7024214				Link—Power Rod
53	17056602				Idle Needle
54	7038989				Spring—Idle Needle
55	17051665				Lever—Pump & Power Rod
56	7010435				Screw—Lever Attaching
57	7043087				Screw—Throttle Body (2)
58	7035267				Link—Pump Lever
59	331124				Gasket—Flange

N.S.S. = Not Serviced Separately



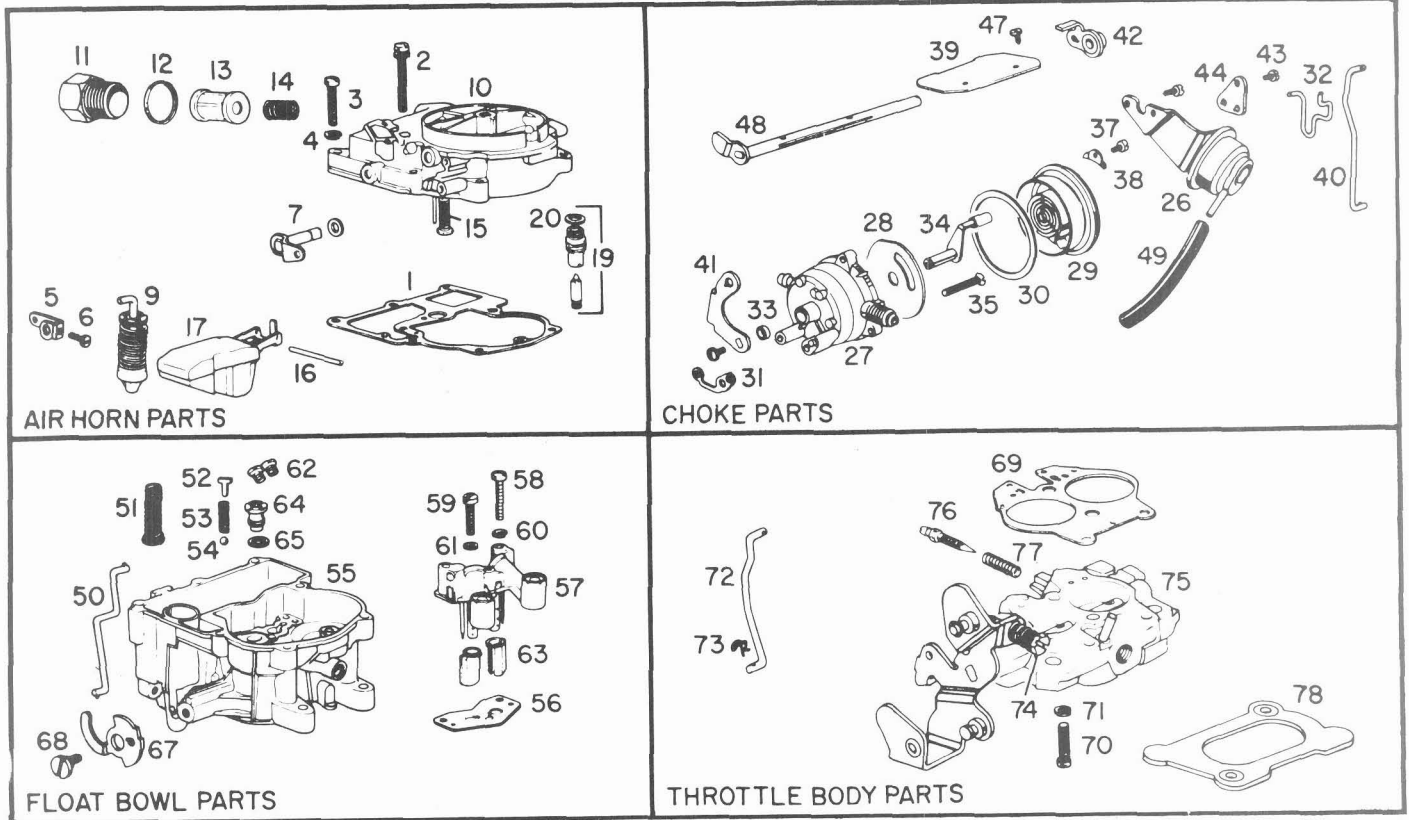
# Delco Carburetor

BULLETIN: 9C-3172  
DATE: SEPTEMBER 1979  
PAGE 1

## MODEL 2GC CARBURETORS

### 1976 CHEVROLET CAMARO & NOVA & MONZA 262-305 CUBIC INCH ENGINE

A-Malibu; ASP-Monte Carlo; B-Impala, Caprice; F-Camaro; HSP-Monza; T-Chevette; X-Nova; Y-Corvette



PARTS SHOWN ARE FOR IDENTIFICATION ONLY. CONSULT PARTS LIST FOR CORRECT PART NAME AND NUMBER

### PARTS IN ALL COLUMNS SAME — EXCEPT WHERE INDICATED

	F, X FEDERAL 305 CU. IN. MAN TRANS	HSP FEDERAL 262 CU. IN. MAN TRANS	HSP FEDERAL 262 CU. IN. MAN TRANS	X CALIF. 305 CU. IN. AUTO TRANS	APPLICATION
	17057369	17057370	17057371	17057372	CARBURETOR No.
	22-3180	22-3181	22-3182	22-3183	REPLACEMENT PKG. No.
	17053829	17052979	17052979	17053830	OVERHAUL KIT
	9302	9297	9297	9303	POWER CARBURETOR KIT
	40-448				GASKET SET
Illus. No.	AIR HORN PARTS				
1	7045671				Gasket—Air Horn
2	7010432				Screw—Air Horn—Long
3	7006119				Screw—Air Horn—Short
4	—				Lockwasher—Air Horn Screw
5	7032377				Pump Lever—Inside
6	7011270				Screw—Pump Lever
7	7044029				Pump Shaft & Lever Assembly
—	7019568				Washer—Pump Shaft
8	7005032				Clip—Pump
9	7037561	7036282	7036282	7036282	Pump Assembly
10	17065256	17065256	17065256	17065256	Air Horn Assembly
11	17053408	17053408	17053408	17051765	Filter Nut—Fuel Inlet
12	7032508				Gasket—Filter Nut
13	GF-470	GF-470	GF-470	GF-470	Filter—Fuel Inlet
14	17051764	17051764	17051764	7032732	Spring—Fuel Inlet Filter
15	7006323	7009054	7009054	7006323	Power Piston Assembly
16	7002081				Pin—Float Hinge
17	7037512				Float Assembly
18	7044035	7044032	7044032	—	Elbow—Filter Nut

	17057369	17057370	17057371	17057372	CARBURETOR No.
Illus. No.	AIR HORN PARTS (Continued)				
19	7035144	7035152	7035152	7035132	Needle & Seat Assy.
20	KIT ONLY				Gasket—Needle Seat
21	—				Shield—Idle Vent
22	KIT ONLY				*Gasket—Air Cleaner
23	—				Screw—Idle Vent Valve
24	—				Idle Vent Valve
	CHOKE PARTS				
25	—				Vacuum Break Control Assy.
26	7044056				Vacuum Brk. Cont. & Brkt. Assy.
—	7037570				Screw—Control Attaching
27	17055541	17055541	17055541	17055540	Choke Housing
28	7037239				Baffle Plate
29	17052654				Stat Cover, Coil & Gkt. Assy.
30	17050961				Gasket—Stat Cover
31	7043291				Gasket—Choke Housing
32	7040239				Link—Vacuum Break
33	7037569				Dust Seal—Inter. Choke Shaft
34	7043289				Intermediate Choke Shaft Assy.
35	7043292				Screw—Choke Housing
36	—				Cam Lever & Bushing Assembly
37	7011270				Screw—Stat Cover
38	7000614				Retainer—Stat Cover
39	7033443				Valve—Choke
40	17050270				Rod—Intermediate Choke
41	17050266				Lever—Intermediate Choke
42	17050766				Lever—Choke
43	7019709				Screw—Choke Levers
44	17050271				Lever—Choke Shaft
45	—				
46	—				Washer—Cam
47	7007627				Screw—Choke Valve
48	7047797				Choke Shaft Assy.
49	7026339				Hose—Vacuum
50	7043370				Rod—Choke
	FLOAT BOWL PARTS				
51	7041141				Spring—Pump Return
—	7002120				Ball—Pump Inlet Check
—	—				Strainer—Pump Inlet
52	KIT ONLY	KIT ONLY	KIT ONLY	KIT ONLY	Guide—Pump Discharge
53	7002118				Spring—Pump Discharge
54	7002117				Ball—Pump Discharge
55	17065229				Float Bowl Assembly
56	KIT ONLY				Gasket—Venturi Cluster
57	17066636	17053672	17053672	17053672	Venturi Cluster Assembly
58	7045762				Screw—Venturi Cluster—Outer
59	7009077				Screw—Cluster—Center
60	—				Lockwasher—Outer Screws
61	KIT ONLY				Gasket—Center Screw
62	7002650	7002650	7002650	7002652	Jet—Standard (See Note)
63	7040320				Insert—Main Well
64	7011989	7011989	7011989	7011989	Power Valve Assembly
65	KIT ONLY				Gasket—Power Valve
66	—				
67	7044039				Cam—Fast Idle
68	7036222				Screw—Cam Attaching
	THROTTLE BODY PARTS				
69	KIT ONLY				Gasket—Throttle Body
70	7015105				Screw—Throttle xbody
71	—				Lockwasher—Throttle Body Scrs.
72	7041249				Rod—Pump
73	7018186				Clip—Pump Rod
74	7029427				Idle Stop Screw
—	7041519				Spring—Idle Stop Screw
75	17052981	17054180	17052981	17052981	Throttle Body Assembly
76	7048860				Idle Needle
77	7011479				Spring—Idle Needle
78	6271058				Insulator—Flange

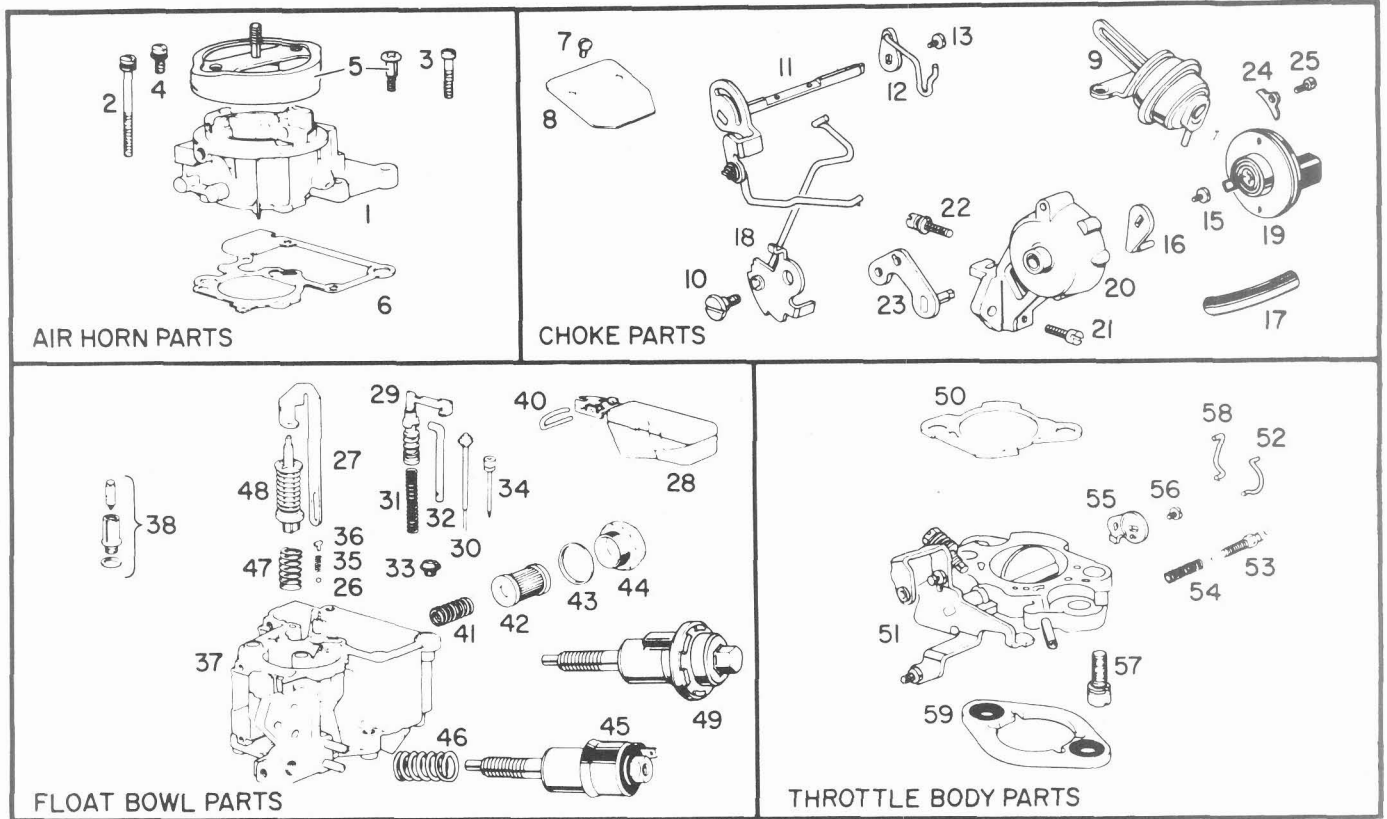


# Delco Carburetor

BULLETIN 9C-3176  
DATE: SEPTEMBER 1979  
PAGE 1

MODEL 1ME MONOJET  
1976 CHEVROLET CHEVETTE  
97.6 CUBIC INCH "4"

A-Malibu; ASP-Monte Carlo; B-Impala, Caprice; F-Camaro; HSP-Monza; T-Chevette; X-Nova; Y-Corvette



PARTS SHOWN ARE FOR IDENTIFICATION ONLY. CONSULT PARTS LIST FOR CORRECT PART NAME AND NUMBER

**PARTS IN ALL COLUMNS SAME — EXCEPT WHERE INDICATED**

	CALIFORNIA AUTO. TRANS.	CALIFORNIA MAN. TRANS.	APPLICATION
			<b>CARBURETOR No. (Non Air Cond.)</b>
	<b>17055064</b>	<b>17055065</b>	<b>CARBURETOR No. (Air. Con.)</b>
	<b>21-3080</b>	<b>21-3115</b>	<b>REPLACEMENT PACKAGE No.</b>
	<b>N.S.S.</b>		<b>OVERHAUL KIT</b>
	<b>9304</b>		<b>POWER CARBURETOR KIT</b>
	<b>40-451</b>		<b>GASKET SET</b>
Illus. No.	AIR HORN PARTS		
1	17054462		Air Horn Assembly
2	7043089		Screw—Air Horn (Long) (3)
3	7030917		Screw—Air Horn (Short) (2)
4	7043088		Screw—Air Horn (1)
5	17053835		Air—Cleaner Adapter & Screw
6	7037591		Gasket—Air Horn
	CHOKE PARTS		
7	7020926		Screw—Choke Valve (2)
8	7049918		Choke Valve
9	17051663		Vac. Brk. Control Assy. Bowl Side
10	7003561		Screw—Cam Attaching
11	7044437		Choke Shaft Lever & Link Assembly
12	7044447		Vac. Brk. Lever & Link Assy.
13	7019709		Screw—Vac. Brk. Lever Attaching
14			
15	7019709		Screw—Stat Lever Attaching
16	7044088		Lever—Stat Coil
17	7026339		Hose Vacuum Break
18	17054834		Cam & Link Assy.

	17055064	17055065	CARBURETOR No. (Non Air Cond.)
			CARBURETOR No. (Air. Con.)
Illus. No.	CHOKE PARTS (Continued)		
19	17056619		Electric Stat Cover & Coil Assy.
20	7044199		Choke Housing & Bearing Assy.
21	17051625		Screw—Choke Housing to Bowl (1)
22	17051626		Screw—Choke Housing to Bowl (2)
23	17051637		Choke Coil Lever & Shaft Assy.
24	7000614		Retainer—Choke Cover (3)
25	7011270		Screw—Choke Cover (3)
	FLOAT BOWL PARTS		
26	7002117		Ball—Pump Discharge
27	17056474		Lever—Pump Actuating
28	17051624		Float Assembly
29	17051619		Power Piston Assembly
30	17053550		Metering Rod & Spring Assembly
31	7044003		Spring—Power Piston
32	7044005		Rod—Power Piston
33	17053545		Jet—Main Metering
34	17053628		Idle Tube Assembly
35	7002118		Spring—Pump Discharge
36	7003838		Guide—Pump Discharge
37	17054206		Float Bowl Assembly
38	7035153		Needle & Seat Assembly
39	KIT ONLY		Gasket—Needle Seat
40	7034032		Hinge Pin—Float
41	7032732		Spring—Fuel Filter
42	GF-470		Filter—Fuel Inlet
43	7032508		Gasket—Filter Nut
44	7038946		Filter Nut—Fuel Inlet
45	7040219		Solenoid—Idle Stop
46	7040519		Spring—Solenoid Locking
47	7004597		Spring—Pump Return
48	7048801		Pump Assembly
49	NONE	NONE	Dash Pot Assembly
	THROTTLE BODY PARTS		
50	KIT ONLY		Gasket—Throttle Body
51	N.S.S.		Throttle Body Assembly
52	7024214		Link—Power Rod
53	17056602		Idle Needle
54	7038989		Spring—Idle Needle
55	17051665		Lever—Pump & Power Rod
56	7010435		Screw—Lever Attaching
57	7043087		Screw—Throttle Body (2)
58	7035267		Link—Pump Lever
59	331124		Gasket—Flange