



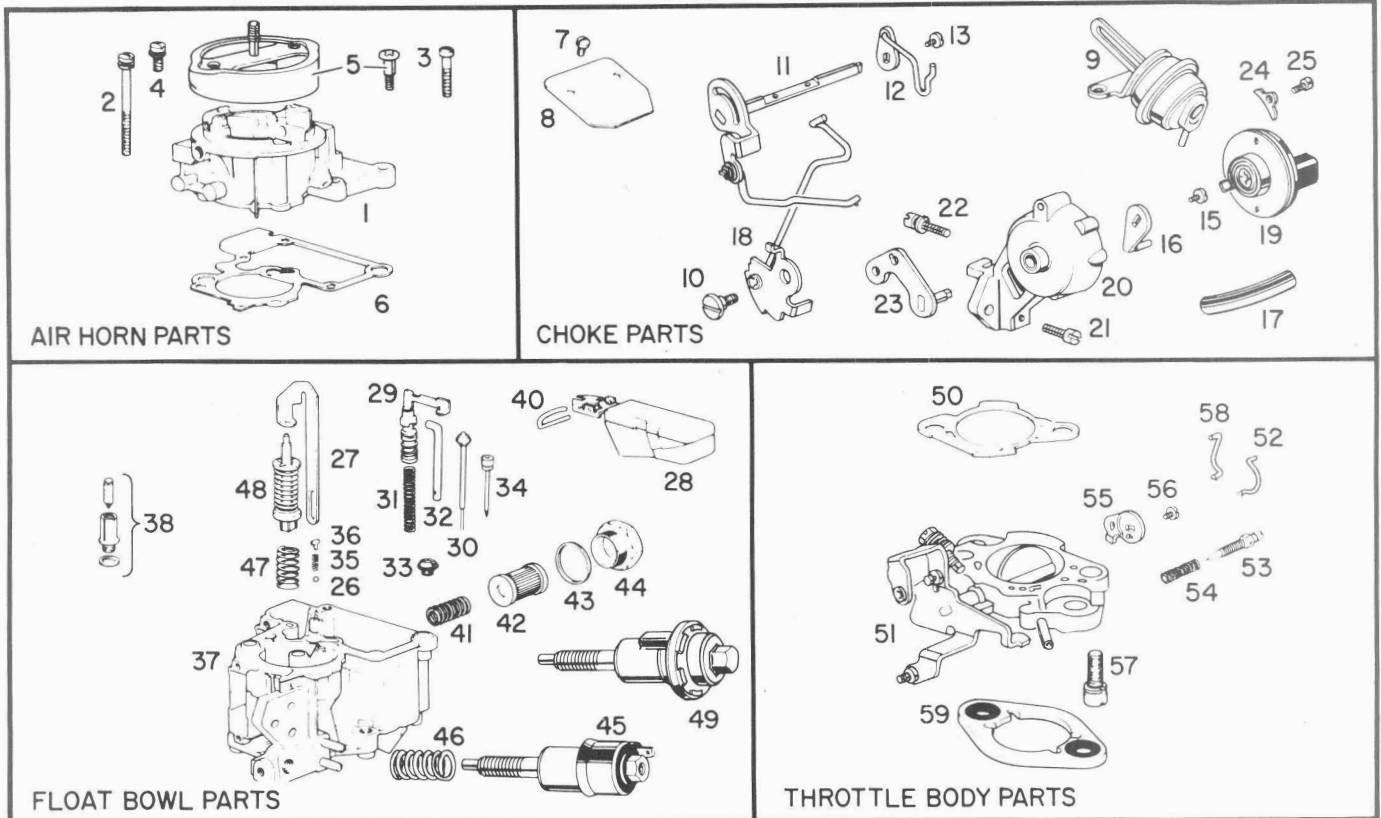
# Delco Carburetor

## MODEL 1ME MONOJET

BULLETIN: 9C-3107  
 DATE: NOVEMBER 1976  
 PAGE: 1

1977 CHEVROLET CHEVETTE  
 85 — 97.6 CUBIC INCH "4"

PARTS SHOWN ARE FOR IDENTIFICATION ONLY. CONSULT PARTS LIST FOR CORRECT PART NAME AND NUMBER



**PARTS IN ALL COLUMNS SAME — EXCEPT WHERE INDICATED**

	85	85	97.6	97.6	97.6	
	FEDERAL AUTO. TRANS.	FEDERAL MAN. TRANS.	ALTITUDE AUTO. TRANS.	ALTITUDE AUTO. TRANS.	ALTITUDE MAN. TRANS.	APPLICATION
	17057030	17057031	—	17057044	17057045	CARB. No. (Non Air Cond.)
	—	17057031	17057042	—	17057045	CARB. No. (Air Cond.)
	21-3118	21-3119	21-3124	21-3124	21-3125	REPLACEMENT PKG. No.
	17055243	17055243	17055246	17055246	17055246	OVERHAUL KIT
	9322					POWER CARBURETOR KIT
	40-457					GASKET SET
Illus. No.	AIR HORN PARTS					
1	17057796	17057796	17057797	17057797	17057797	Air Horn Assembly
2	7043089					Screw—Air Horn (Long) (3)
3	7030917					Screw—Air Horn (Short) (2)
4	7043088					Screw—Air Horn (1)
5	17053835					Air Cleaner Adapter & Screw
6	7037591					Gasket—Air Horn
	CHOKE PARTS					
7	7020926					Screw—Choke Valve (2)
8	7049918					Choke Valve
9	7045561					Vac. Bk. Con. Assy. Bl. Side
10	7003561					Screw—Cam Attaching
11	7044437					Choke Sht. Lvr. & Lk. Assy.
12	7044447					Vac. Brk. Lever & Link Assy.
13	7019709					Screw—Vac. Brk. Lever Attch.
14	—					
15	7019709					Screw—Stat Lever Attaching
16	7044088					Lever—Stat Coil
17	7026339					Hose—Vacuum Break
18	17054834	17054834	17054834	17054834	7044485	Cam & Link Assy.

	17057030	17057031	17057042	17057044	17057045	CARB. No. (Non Air Cond.)
			-	-	-	CARB. No. (Air Con.)
Illus. No.	CHOKE PARTS (Continued)					
19	17056750					Elect. Stat Cover & Coil Assy.
20	7044199					Choke Hous. & Bear. Assy.
21	17051625					Scr.—Choke Hous. to Bowl(1)
22	17051626					Scr.—Choke Hous. to Bowl(2)
23	17051637					Choke Coil Lever & Shaft Assy
24	7000614					Retainer—Choke Cover (3)
25	7011270					Screw—Choke Cover (3)
	FLOAT BOWL PARTS					
26	7002117					Ball—Pump Discharge
27	7042670					Lever—Pump Actuating
28	17051624					Float Assembly
29	17051619					Power Piston Assembly
30	17053554	17053554	17053550	17053550	17053550	Metering Rod & Sprg. Assy.
31	7044003					Spring—Power Piston
32	7044005					Rod—Power Piston
33	17053786	17053786	17053546	17053546	17053546	Jet—Main Metering
34	17053627	17053627	17053628	17053628	17053628	Idle Tube Assembly
35	7002118					Spring—Pump Discharge
36	7003838					Guide—Pump Discharge
37	17055248					Float Bowl Assembly
38	30-153					Needle & Seat Assembly
39	KIT ONLY					Gasket—Needle Seat
40	7034032					Hinge Pin—Float
41	7032732					Spring—Fuel Filter
42	GF-470					Filter—Fuel Inlet
43	7032508					Gasket—Filter Nut
44	7038946					Filter Nut—Fuel Inlet
45	7040219	7040219	7040219	7040219	NONE	Solenoid—Idle Stop
46	7040519					Spring—Solenoid Locking
47	7004597					Spring—Pump Return
48	7048801					Pump Assembly
49	NONE	NONE	NONE	NONE	7044594	Dashpot Assembly
	THROTTLE BODY PARTS					
50	KIT ONLY					Gasket—Throttle Body
51	17056693	17056694	17056693	17056693	17056694	Throttle Body Assembly
52	7024214					Link—Power Rod
53	17056602					Idle Needle
54	7038989					Spring—Idle Needle
55	17051665					Lever—Pump & Power Rod
56	7010435					Screw—Lever Attaching
57	7043087					Screw—Throttle Body (2)
58	7035267					Link—Pump Lever
59	460187					Gasket—Flange



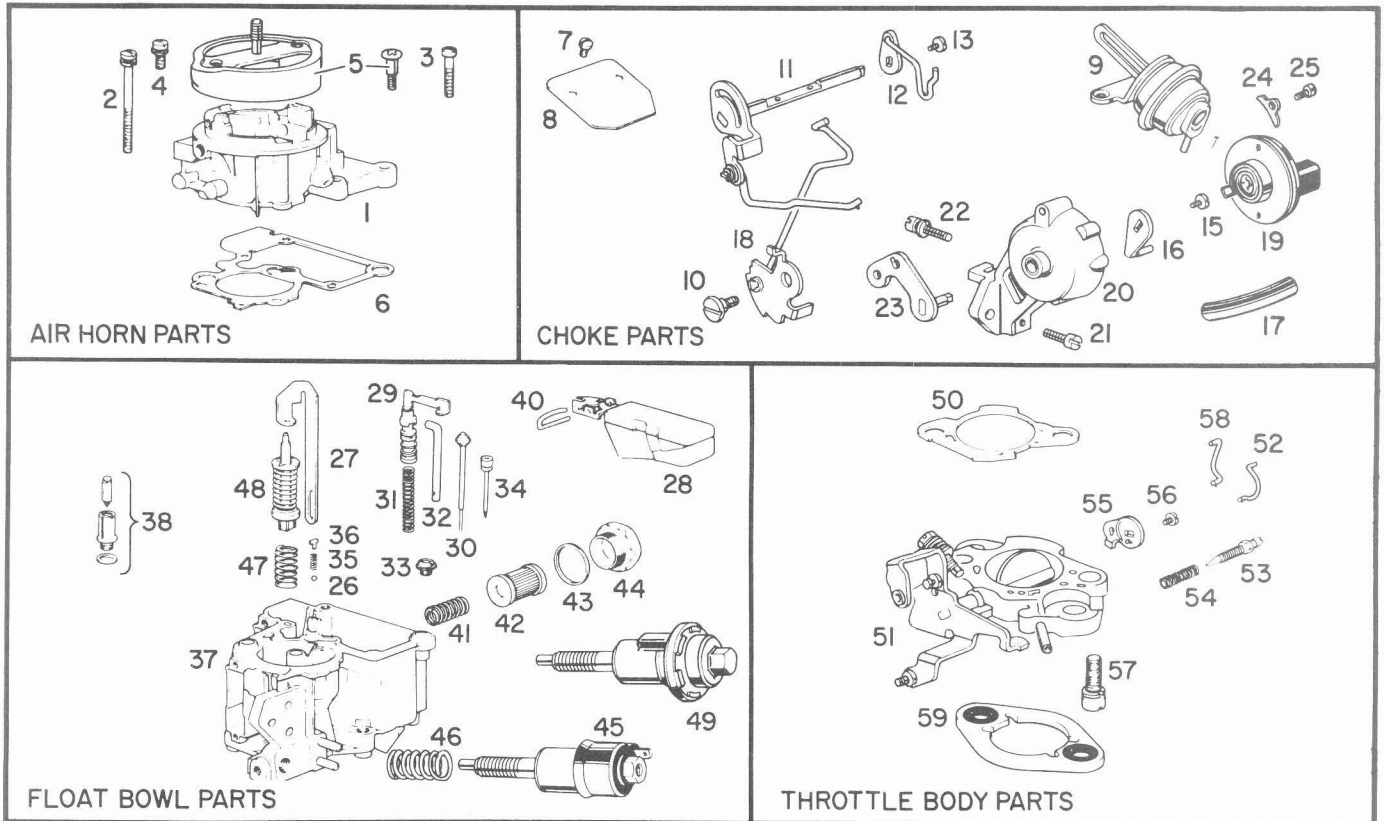


# Delco Carburetor

MODEL 1ME MONOJET  
1977 CHEVROLET CHEVETTE  
97.6 CUBIC INCH "4"

BULLETIN 9C-3108  
DATE: July, 1978  
PAGE 1  
Replaces 9C-3108  
Dated November 1976

PARTS SHOWN ARE FOR IDENTIFICATION ONLY. CONSULT PARTS LIST FOR CORRECT PART NAME AND NUMBER



**PARTS IN ALL COLUMNS SAME — EXCEPT WHERE INDICATED**

	FEDERAL AUTO. TRANS.	FEDERAL MAN. TRANS.	CALIFORNIA AUTO. TRANS.	CALIFORNIA MAN. TRANS.	APPLICATION
	17057034	17057035	17057334	17057335	CARBURETOR No. (Non Air Cond.)
	17057032	17057035	17057332	17057335	CARBURETOR No. (Air Con.)
	21-3120	21-3121	21-3122	21-3123	REPLACEMENT PACKAGE No.
	17055250	17055250	17055246	17055246	OVERHAUL KIT
	9322				POWER CARBURETOR KIT
	40-457				GASKET SET

Illus. No.	AIR HORN PARTS				
1	17057797				Air Horn Assembly
2	7043089				Screw—Air Horn (Long) (3)
3	7030917				Screw—Air Horn (Short) (2)
4	7043088				Screw—Air Horn (1)
5	17053835				Air-Cleaner Adapter & Screw
6	7037591				Gasket—Air Horn
	CHOKE PARTS				
7	7020926				Screw—Choke Valve (2)
8	7049918				Choke Valve
9	7045561				Vac. Brk. Control Assy. Bowl Side
10	7003561				Screw—Cam Attaching
11	7044437				Choke Shaft Lever & Link Assembly
12	7044447				Vac. Brk. Lever & Link Assy.
13	7019709				Screw—Vac. Brk. Lever Attaching
14					
15	7019709				Screw—Stat Lever Attaching
16	7044088				Lever—Stat Coil
17	7026339				Hose Vacuum Break
18	17054834	17054834	17054834	7044485	Cam & Link Assy.

	17057034	17057035	17057334	17057335	CARBURETOR No. (Non Air Cond.)
	17057032	17057035	17057332	17057335	CARBURETOR No. (Air Cond.)
CHOKE PARTS (Continued)					
Illus. No.					
19	17056750				Electric Stat Cover & Coil Assy.
20	7044199				Choke Housing & Bearing Assy.
21	17051625				Screw—Choke Housing to Bowl (1)
22	17051626				Screw—Choke Housing to Bowl (2)
23	17051637				Choke Coil Lever & Shaft Assy.
24	7000614				Retainer—Choke Cover(3)
25	7011270				Screw—Choke Cover (3)
FLOAT BOWL PARTS					
26	7002117				Ball—Pump Discharge
27	17056474				Lever—Pump Actuating
28	17051624				Float Assembly
29	17051619				Power Piston Assembly
30	17051621	17051621	17053550	17053550	Metering Rod & Spring Assembly
31	7044003				Spring—Power Piston
32	7044005				Rod—Power Piston
33	17053547	17053547	17053546	17053546	Jet—Main Metering
34	17053627	17053627	17053628	17053628	Idle Tube Assembly
35	7002118				Spring—Pump Discharge
36	7003838				Guide—Pump Discharge
37	17055248				Float Bowl Assembly
38	30-153				Needle & Seat Assembly
39	KIT ONLY				Gasket—Needle Seat
40	7034032				Hinge Pin—Float
41	7032732				Spring—Fuel Filter
42	GF-470				Filter—Fuel Inlet
43	7032508				Gasket—Filter Nut
44	7038946				Filter Nut—Fuel Inlet
45	7040219	7040219	7040219	NONE	Solenoid—Idle Stop
46	7040519				Spring—Solenoid Locking
47	7004597				Spring—Pump Return
48	7048801				Pump Assembly
49	NONE	NONE	NONE	7044594	Dash Pot Assembly
THROTTLE BODY PARTS					
50	KIT ONLY				Gasket—Throttle Body
51	17056693	17056694	17056998	17054468	Throttle Body Assembly
52	7024214				Link—Power Rod
53	17056602				Idle Needle
54	7038989				Spring—Idle Needle
55	17051665				Lever—Pump & Power Rod
56	7010435				Screw—Lever Attaching
57	7043087				Screw—Throttle Body (2)
58	7035267				Link—Pump Lever
59	460187				Gasket—Flange



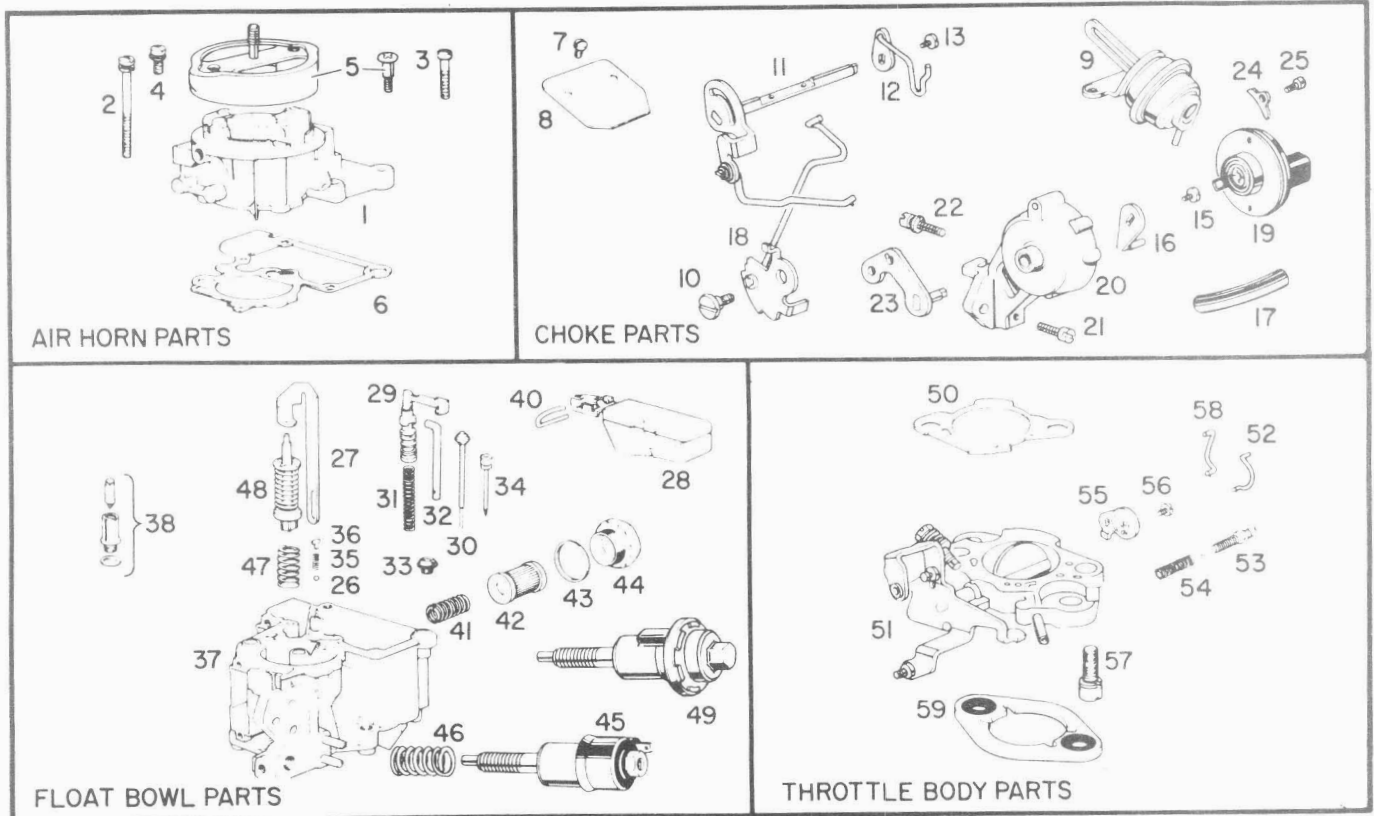
# Delco Carburetor

MODEL 1ME MONOJET

1977 CHEVROLET CHEVETTE (LATE)  
97.6 CUBIC INCH "4"  
(STRAUSBURG TRANSMISSION)

BULLETIN: 9C-3108-A  
DATE: NOVEMBER 1977  
PAGE: 1

PARTS SHOWN ARE FOR IDENTIFICATION ONLY. CONSULT PARTS LIST FOR CORRECT PART NAME AND NUMBER



AIR HORN PARTS

CHOKE PARTS

FLOAT BOWL PARTS

THROTTLE BODY PARTS

**PARTS IN ALL COLUMNS SAME — EXCEPT WHERE INDICATED**

	FEDERAL AUTO. TRANS.	APPLICATION
	17057054	CARBURETOR No. (Non Air Cond.)
	17057056	CARBURETOR No. (Air Cond.)
	21-3175	REPLACEMENT PACKAGE No.
	17055246	OVERHAUL KIT
	9322	POWER CARBURETOR KIT
	40-457	GASKET SET
Illus. No.	AIR HORN PARTS	
1	17057797	Air Horn Assembly
2	7043089	Screw—Air Horn (Long) (3)
3	7030917	Screw—Air Horn (Short) (2)
4	7043088	Screw—Air Horn (1)
5	17053835	Air-Cleaner Adapter & Screw
6	7037591	Gasket—Air Horn
	CHOKE PARTS	
7	7020926	Screw—Choke Valve (2)
8	7049918	Choke Valve
9	7045561	Vacuum Break Control Assy. Bowl Side
10	7003561	Screw—Cam Attaching
11	7044437	Choke Shaft Lever & Link Assembly
12	7044447	Vacuum Break Lever & Link Assy.
13	7019709	Screw—Vacuum Break Lever Attaching
14		
15	7019709	Screw—Stat Lever Attaching
16	7044088	Lever—Stat Coil
17	7026339	Hose Vacuum Break
18	17054834	Cam & Link Assy.

	17057054	CARBURETOR No. (Non Air Cond.)
	17057056	CARBURETOR No. (Air Cond.)
Illus. No.	CHOKE PARTS (Continued)	
19	17056750	Electric Stat Cover & Coil Assy.
20	7044199	Choke Housing & Bearing Assy.
21	17051625	Screw—Choke Housing to Bowl (1)
22	17051626	Screw—Choke Housing to Bowl (2)
23	17051637	Choke Coil Lever & Shaft Assy.
24	7000614	Retainer—Choke Cover (3)
25	7011270	Screw—Choke Cover (3)
	FLOAT BOWL PARTS	
26	7002117	Ball—Pump Discharge
27	17056474	Lever—Pump Actuating
28	17051624	Float Assembly
29	17051619	Power Piston Assembly
30	17053550	Metering Rod & Spring Assembly
31	7044003	Spring—Power Piston
32	7044005	Rod—Power Piston
33	17053546	Jet—Main Metering
34	17053628	Idle Tube Assembly
35	7002118	Spring—Pump Discharge
36	7003838	Guide—Pump Discharge
37	17055248	Float Bowl Assembly
38	30-153	Needle & Seat Assembly
39	KIT ONLY	Gasket—Needle Seat
40	7034032	Hinge Pin—Float
41	7032732	Spring—Fuel Filter
42	GF-470	Filter—Fuel Inlet
43	7032508	Gasket—Filter Nut
44	7038946	Filter Nut—Fuel Inlet
45	7040219	Solenoid—Idle Stop
46	7040519	Spring—Solenoid Locking
47	7004597	Spring—Pump Return
48	7048801	Pump Assembly
49	NONE	Dash Pot Assembly
	THROTTLE BODY PARTS	
50	KIT ONLY	Gasket—Throttle Body
51	17060482	Throttle Body Assembly
52	7024214	Link—Power Rod
53	17056602	Idle Needle
54	7038989	Spring—Idle Needle
55	17051665	Lever—Pump & Power Rod
56	7010435	Screw—Lever Attaching
57	7043087	Screw—Throttle Body (2)
58	7035267	Link—Pump Lever
59	460187	Gasket—Flange



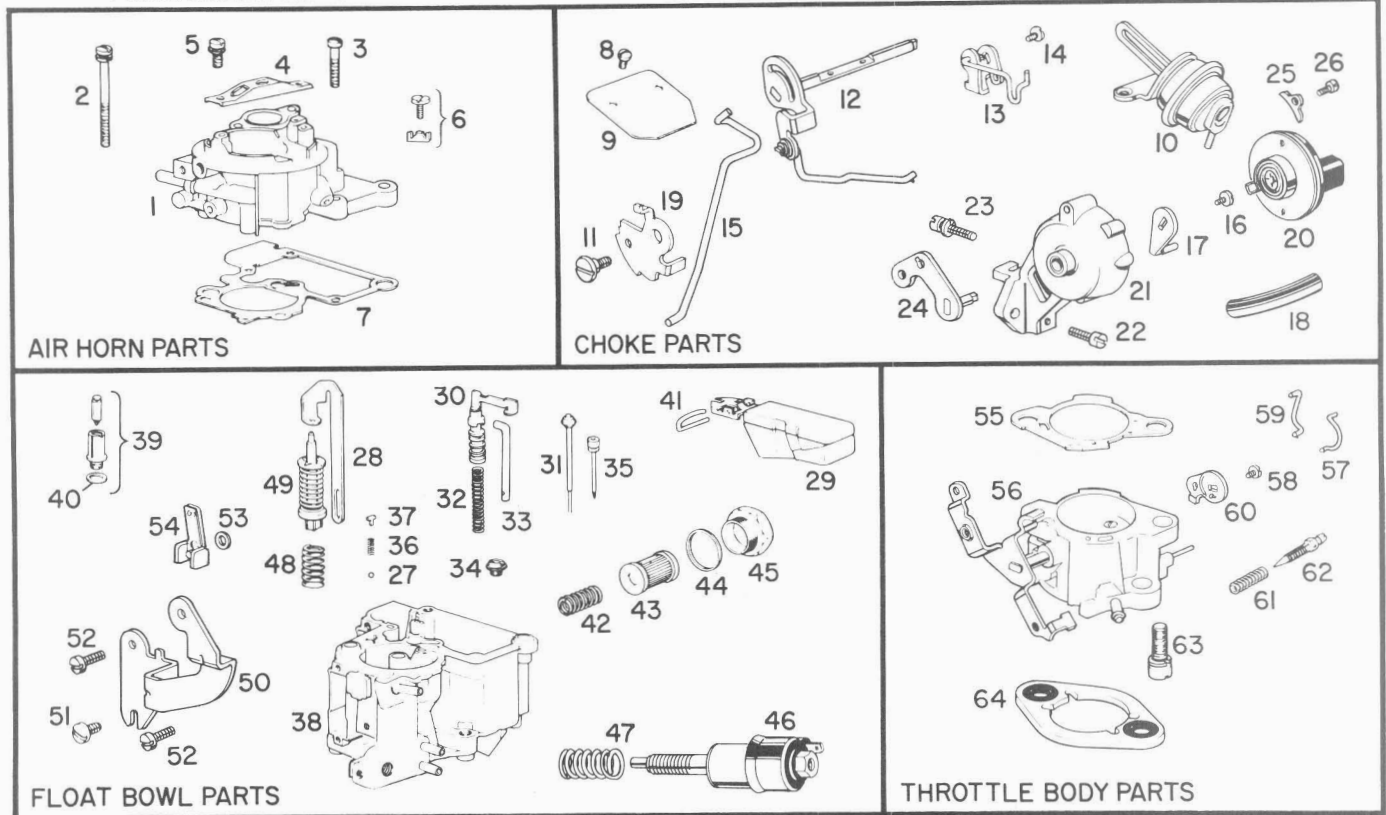
# Delco Carburetor

## MODEL 1ME MONOJET

BULLETIN: 9C-3109  
 DATE: NOVEMBER 1976  
 PAGE: 1

1977 CHEVROLET CHEVELLE, CAMARO,  
 NOVA, EL CAMINO & SPRINT  
 250 CUBIC INCH ENGINE

PARTS SHOWN ARE FOR IDENTIFICATION ONLY. CONSULT PARTS LIST FOR CORRECT PART NAME AND NUMBER



AIR HORN PARTS

CHOKE PARTS

FLOAT BOWL PARTS

THROTTLE BODY PARTS

**PARTS IN ALL COLUMNS SAME — EXCEPT WHERE INDICATED**

	A-SED, F, X ELCAMINO SPRINT NON A/C MAN. TRANS. FEDERAL	A-B-SED, F, X ELCAMINO SPRINT NON A/C AUTO. TRANS. FEDERAL	A-SED, F, X ELCAMINO SPRINT AIR COND. MAN. TRANS. FEDERAL	A-B-SED, F, X ELCAMINO SPRINT AIR COND. AUTO. TRANS. FEDERAL	APPLICATION
	17057013	17057014	17057015	17057020	<b>CARBURETOR No.</b>
	21-3141	21-3146	21-3141	21-3140	<b>REPLACEMENT PACKAGE No.</b>
	17055287	17055290	17055287	17055290	<b>OVERHAUL KIT</b>
	9323				<b>POWER CARBURETOR KIT</b>
	40-458				<b>GASKET SET</b>
Illus. No.	AIR HORN PARTS				
1	17056825				Air Horn Assembly
2	7043089				Screw—Air Horn (Long)
3	7030917				Screw—Air Horn (Short)
4	7043588				Bracket—Air Cleaner Stud
5	7042813				Screw—Bracket Attaching
6	—				Idle Vent Valve Kit
7	7044238				Gasket—Air Horn
	CHOKE PARTS				
8	7020926				Screw—Choke Valve (2)
9	7049918				Choke Valve
10	7045046				Vac. Brk. Assy. Bowl Side
11	7003561				Screw—Cam Attaching
12	7044188				Choke Shaft Lever & Link Assembly
13	7044196				Vac. Brk. Lever & Link Assy.
14	7019709				Screw—Vac. Brk Lever Attaching
15	7044261				Link—Cam
16	7019709				Screw—Stat Lever Attaching
17	7044091				Lever—Stat Coil

	17057013	17057014	17057015	17057020	CARBURETOR No.
Illus. No.	CHOKE PARTS (Continued)				
18	7026339				Hose Vacuum Break
19	17056841				Cam—Fast Idle
20	17056852				Electric Stat Cover & Coil Assy.
21	7044199				Choke Housing & Bearing Assy.
22	17051625				Screw—Choke Housing to Bowl (1)
23	17051626				Screw—Choke Housing to Bowl (2)
24	7044236				Choke Coil Lever & Shaft Assy.
25	7000614				Retainer—Choke Cover (3)
26	7011270				Screw—Choke Cover (3)
	FLOAT BOWL PARTS				
27	7002117				Ball—Pump Discharge
28	7042670				Lever—Pump Actuating
29	7037022				Float Assembly
30	7036066	7035889	7036066	7035889	Power Piston Assembly
31	17053016	7040630	17053016	7040630	Metering Rod & Spring Assembly
32	7012515				Spring—Power Piston
33	17055196				Rod—Power Piston Kit
34	7034205	7034203	7034204	7034203	Jet—Main Metering
35	17052342	17052336	17052342	17052336	Idle Tube Assembly
36	7002118				Spring—Pump Discharge
37	7003838				Guide—Pump Discharge
38	17055357	17055357	17055357	17055361	Float Bowl Assembly
39	30-156				Needle & Seat Assembly
40	KIT ONLY				Gasket—Needle Seat
41	7034032				Hinge Pin—Float
42	7032732				Spring—Fuel Filter
43	GF-470				Filter—Fuel Inlet
44	7032508				Gasket—Filter Nut
45	7038946				Filter Nut—Fuel Inlet
46	7043575				Solenoid—Idle Stop
47	—				Spring—Solenoid Locking
48	7041176				Spring—Pump Return
49	7037595				Pump Assembly
50	7044344				Bracket Thr. Return
51	17050024				Screw—Throttle Bracket (1)
52	7041287				Screw—Throttle Bracket (2)
53	NONE	NONE	NONE	7027970	Gasket—Idle Compensator
54	NONE	NONE	NONE	7035870	Idle Compensator
	THROTTLE BODY PARTS				
55	KIT ONLY				Gasket—Throttle Body
56	17056984	17054153	17056984	17054153	Throttle Body Assembly
57	7035267				Link—Pump Lever
58	7010435				Screw—Lever Attaching
59	17055196				Link—Power Piston Rod Kit
60	17055196				Lever—Pump and Power Rods Kit
61	7038989				Spring—Idle Needle
62	7048964				Idle Needle
63	7043087				Screw—Throttle Body
64	333977				Insulator—Flange





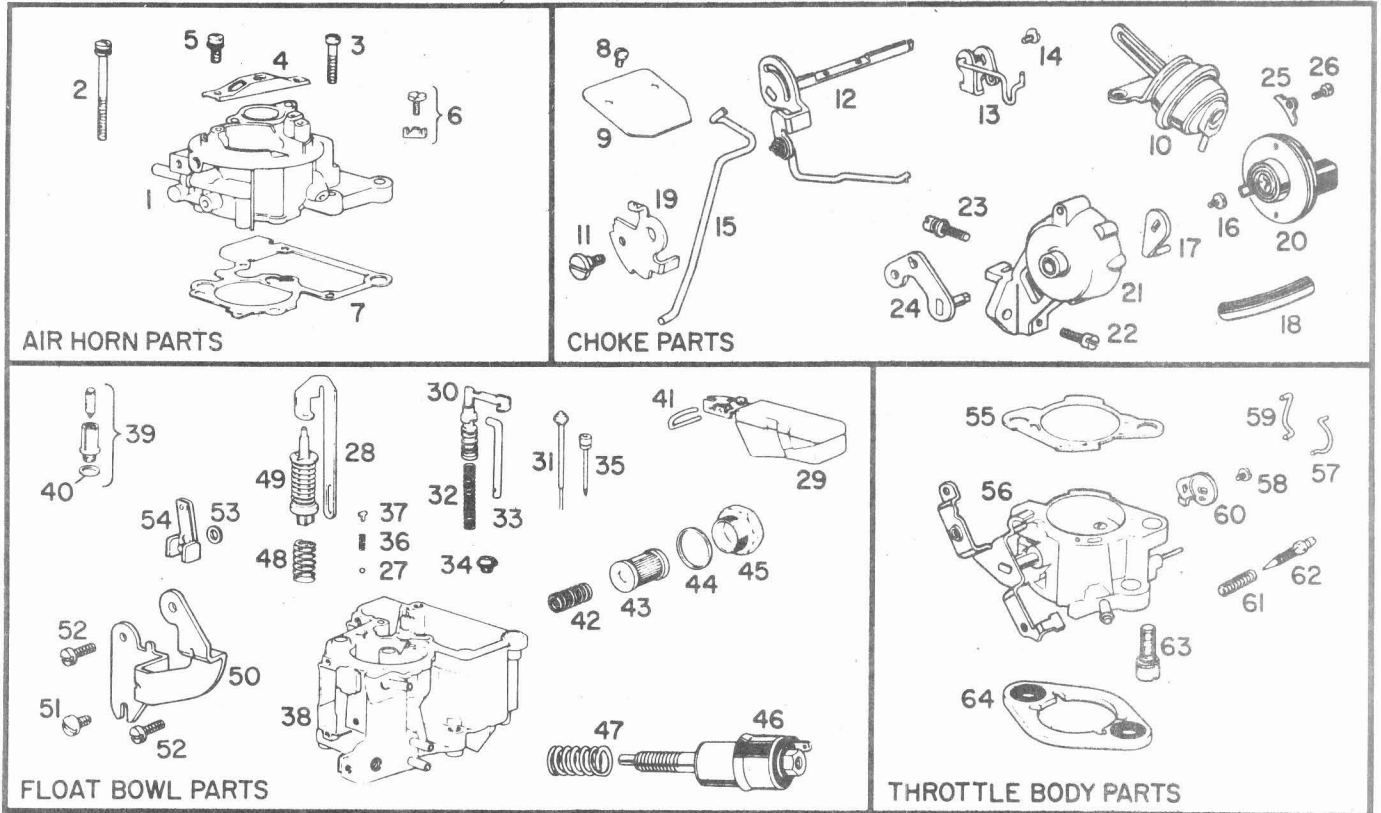
# Delco Carburetor

## MODEL 1ME MONOJET

BULLETIN: 9C-3109-A  
 DATE: NOVEMBER 1977  
 PAGE: 1

1977 CHEVROLET CHEVELLE, CAMARO  
 NOVA, EL CAMINO & SPRINT (LATE)  
 250 CUBIC INCH ENGINE

PARTS SHOWN ARE FOR IDENTIFICATION ONLY. CONSULT PARTS LIST FOR CORRECT PART NAME AND NUMBER



AIR HORN PARTS

CHOKE PARTS

FLOAT BOWL PARTS

THROTTLE BODY PARTS

PARTS IN ALL COLUMNS SAME — EXCEPT WHERE INDICATED

	A-SED, F, X EL CAMINO SPRINT NON A/C MAN. TRANS. FEDERAL	A-SED, F, X EL CAMINO SPRINT AIR COND. MAN. TRANS. FEDERAL	
	17057025	17057029	CARBURETOR No.
	21-3183	21-3183	REPLACEMENT PACKAGE No.
	17065138		OVERHAUL KIT
	9323		POWER CARBURETOR KIT
	40-458		

Illus. No.	AIR HORN PARTS		
1	17056825		Air Horn Assembly
2	7043089		Screw—Air Horn (Long)
3	7030917		Screw—Air Horn (Short)
4	7043588		Bracket—Air Cleaner Stud
5	7042813		Screw—Bracket Attaching
6	—		Idle Vent Valve Kit
7	7044238		Gasket—Air Horn
	CHOKE PARTS		
8	7020926		Screw—Choke Valve (2)
9	7049918		Choke Valve
10	17060446		Vac. Brk. Assy. Bowl Side
11	7003561		Screw—Cam Attaching
12	7044188		Choke Shaft Lever & Link Assembly
13	7044196		Vac. Brk. Lever & Link Assy.
14	7019709		Screw—Vac. Brk. Lever Attaching
15	7044261		Link—Cam
16	7019709		Screw—Stat Lever Attaching
17	7044091		Lever—Stat Coil

	17057025	17057029	CARBURETOR No.
Illus. No.	CHOKE PARTS (Continued)		
18	7026339		Hose Vacuum Break
19	17056841		Cam—Fast Idle
20	17056852		Electric Stat Cover & Coil Assy.
21	7044199		Choke Housing & Bearing Assy.
22	17051625		Screw—Choke Housing to Bowl (1)
23	17051626		Screw—Choke Housing to Bowl (2)
24	7044236		Choke Coil Lever & Shaft Assy.
25	7000614		Retainer—Choke Cover (3)
26	7011270		Screw—Choke Cover (3)
	FLOAT BOWL PARTS		
27	7002117		Ball—Pump Discharge
28	17056474		Lever—Pump Actuating
29	7037022		Float Assembly
30	7036066		Power Piston Assembly
31	7043775		Metering Rod & Spring Assembly
32	7012515		Spring—Power Piston
33	17055196		Rod—Power Piston Kit
34	7034205		Jet—Main Metering
35	17052339		Idle Tube Assembly
36	7002118		Spring—Pump Discharge
37	7003838		Guide—Pump Discharge
38	17065136		Float Bowl Assembly
39	30-156		Needle & Seat Assembly
40	KIT ONLY		Gasket—Needle Seat
41	7034032		Hinge Pin—Float
42	7032732		Spring—Fuel Filter
43	GF-470		Filter—Fuel Inlet
44	7032508		Gasket—Filter Nut
45	7038946		Filter Nut—Fuel Inlet
46	7043575		Solenoid—Idle Stop
47	—		Spring—Solenoid Locking
48	7041176		Spring—Pump Return
49	7037595		Pump Assembly
50	7044344		Bracket Thr. Return
51	17050024		Screw—Throttle Bracket (1)
52	7041287		Screw—Throttle Bracket (2)
53	—		Gasket—Idle Compensator
54	—		Idle Compensator
	THROTTLE BODY PARTS		
55	KIT ONLY		Gasket—Throttle Body
56	17058990		Throttle Body Assembly
57	7035267		Link—Pump Lever
58	7010435		Screw—Lever Attaching
59	17055196		Link—Power Piston Rod Kit
60	17055196		Lever—Pump and Power Rods Kit
61	7038989		Spring—Idle Needle
62	7048964		Idle Needle
63	7043087		Screw—Throttle Body
64	333977		Insulator—Flange



# Delco Carburetor

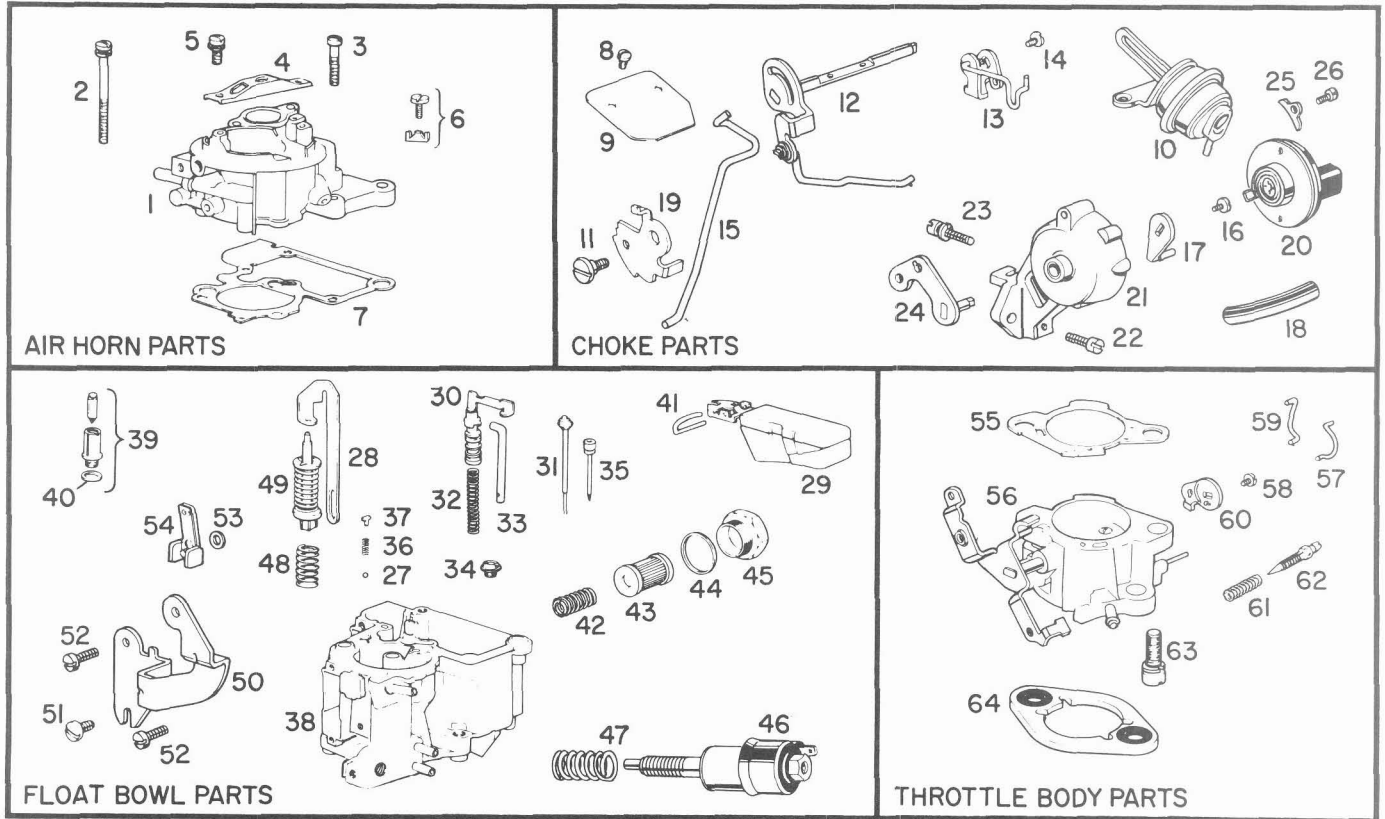
MODEL 1ME MONOJET

1977 CHEVROLET CHEVELLE, CAMARO  
NOVA, EL CAMINO & SPRINT

250 CUBIC INCH ENGINE

BULLETIN 9C-3110  
DATE: July, 1978  
PAGE 1  
Replaces 9C-3110  
Dated November 1976

PARTS SHOWN ARE FOR IDENTIFICATION ONLY. CONSULT PARTS LIST FOR CORRECT PART NAME AND NUMBER



**PARTS IN ALL COLUMNS SAME — EXCEPT WHERE INDICATED**

	FED.-ALTITUDE A-B-SED.,F,X EL CAMINO SPRINT A/C NON A/C AUTO. TRANS.	FEDERAL A-SEDAN EL CAMINO SPRINT AIR COND. AUTO. TRANS.	CALIF. A-B-SED.,F,X EL CAMINO SPRINT NON A/C AUTO. TRANS.	CALIF. B-SED.,F,X AIR COND. AUTO. TRANS.	CANADA ONLY A-B-SED.,X A/C NON A/C AUTO. TRANS.	APPLICATION
	17057016	17057018	17057314	17057318	17057082	CARBURETOR No.
	21-3142	21-3143	21-3144	21-3144	21-3145	REPLACEMENT PKG. No.
	17055360	17055352	17055352	17055352	17055360	OVERHAUL KIT
	9323					POWER CARB. KIT
	40-458					GASKET SET
<b>AIR HORN PARTS</b>						
1	17056825	17056825	17054451	17054451	17054376	Air Horn Assembly
2	7043089					Screw—Air Horn (Long)
3	7030917					Screw—Air Horn (Short)
4	7043588					Bracket—Air Cleaner Stud
5	7042813					Screw—Bracket Attaching
6	—					Idle Vent Valve Kit
7	7044238					Gasket—Air Horn
<b>CHOKE PARTS</b>						
8	7020926					Screw—Choke Valve (2)
9	7049918					Choke Valve
10	7045064	17060446	7045064	7045064	17060447	Vacuum Break Assy. Bowl Side
11	7003561					Screw—Cam Attaching
12	7044188					Choke Shaft Lever & Link Assy.
13	7044196					Vac. Brk. Lever & Link Assy.
14	7019709					Screw—Vac. Brk. Lever Attch.
15	7044261					Link—Cam
16	7019709					Screw—Stat Lever Attaching
17	7044091					Lever—Stat Coil
18	7026339					Hose Vacuum Break

	17057016	17057018	17057314	17057318	17057082	CARBURETOR No.	
Illus.	CHOKE PARTS (Continued)						
19	17056841	17056841	17056841	17056841	17056872	Cam—Fast Idle	
20	17056852					Electric Stat Cover & Coil Assy.	
21	7044199					Choke Housing & Bearing Assy.	
22	17051625					Screw—Choke Hous. to Bowl (1)	
23	17051626					Screw—Choke Hous. to Bowl (2)	
24	7044236					Choke Coil Lever & Shaft Assy.	
25	7000614					Retainer—Choke Cover (3)	
26	7011270					Screw—Choke Cover (3)	
	FLOAT BOWL PARTS						
27	7002117					Ball—Pump Discharge	
28	17056474					Lever—Pump Actuating	
29	7037022					Float Assembly	
30	7035295	7035889	7035512	7035512	7036066	Power Piston Assembly	
31	7040630	7042534	7044791	7044791	7040630	Metering Rod & Spring Assy.	
32	7036280	7012515	7012515	7012515	7012515	Spring—Power Piston	
33	17055196					Rod—Power Piston Kit	
34	7034201	7034203	7034203	7034203	7034201	Jet—Main Metering	
35	17052338	17052337	17052340	17052340	17052338	Idle Tube Assembly	
36	7002118					Spring—Pump Discharge	
37	7003838					Guide—Pump Discharge	
38	17055293	17055349	17055351	17055351	17055343	Float Bowl Assembly	
39	30-156					Needle & Seat Assembly	
40	KIT ONLY					Gasket—Needle Seat	
41	7034032					Hinge Pin—Float	
42	7032732					Spring—Fuel Filter	
43	GF-470					Filter—Fuel Inlet	
44	7032508					Gasket—Filter Nut	
45	7038946					Filter Nut—Fuel Inlet	
46	7043575					Solenoid—Idle Stop	
47	—					Spring—Solenoid Locking	
48	7041176					Spring—Pump Return	
49	7037595					Pump Assembly	
50	7044394					Bracket Thr. Return	
51	17050024					Screw—Thr. Bracket (1)	
52	7041287					Screw—Thr. Bracket (2)	
53	NONE	7027970	NONE	NONE	NONE	Gasket—Idle Compensator	
54	NONE	17060388	NONE	NONE	NONE	Idle Compensator	
	THROTTLE BODY PARTS						
55	KIT ONLY					Gasket—Throttle Body	
56	17057799	17054153	17056871	17056871	17056976	Throttle Body Assembly	
57	7035267					Link—Pump Lever	
58	7010435					Screw—Lever Attaching	
59	17055196					Link—Power Piston Rod Kit	
60	17055196					Lever—Pump & Pwr. Rods Kit	
61	7038989					Spring—Idle Needle	
62	7048964					Idle Needle	
63	7043087					Screw—Throttle Body	
64	333977					Insulator—Flange	



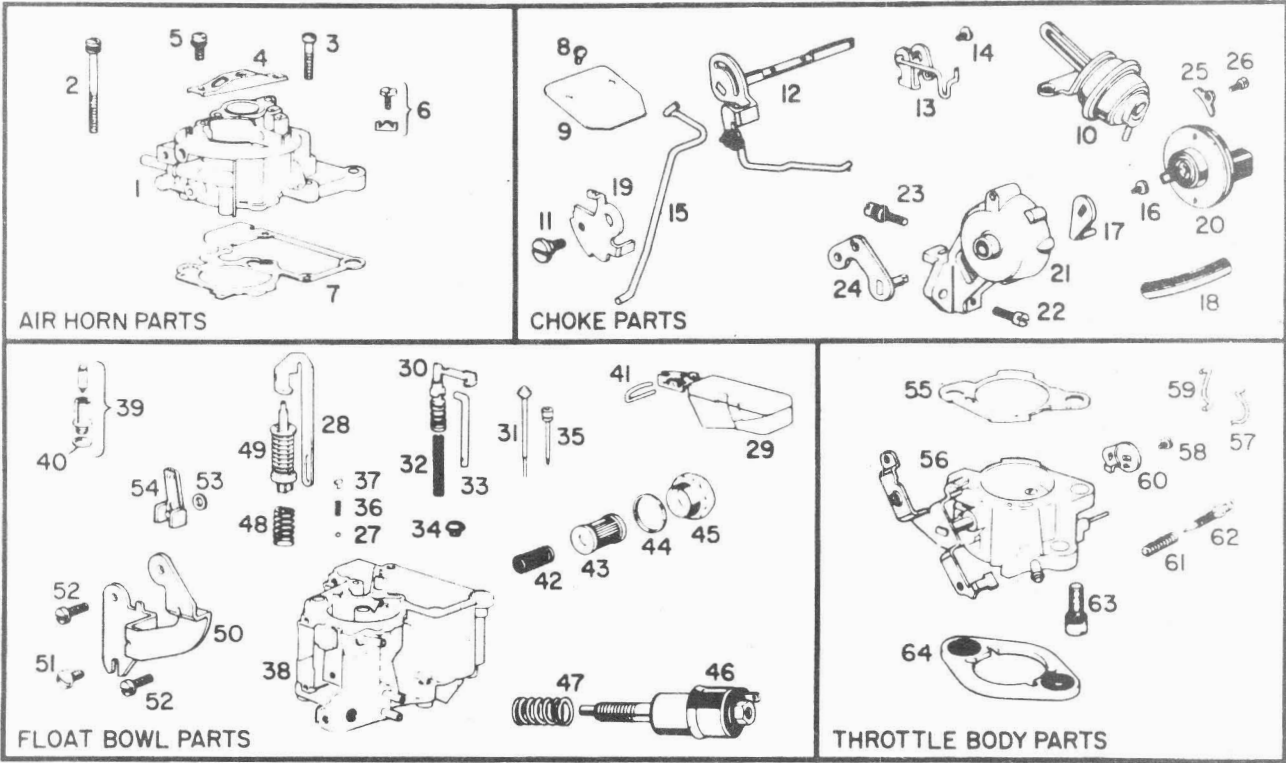
# Delco Carburetor

## MODEL 1ME MONOJET

BULLETIN: 9C 3110-A  
 DATE: NOVEMBER 1977  
 PAGE: 1

1977 CHEVROLET CHEVELLE, CAMARO,  
 NOVA, EL CAMINO & SPRINT (LATE)  
 250 CUBIC INCH ENGINE

PARTS SHOWN ARE FOR IDENTIFICATION ONLY. CONSULT PARTS LIST FOR CORRECT PART NAME AND NUMBER



PARTS IN ALL COLUMNS SAME — EXCEPT WHERE INDICATED

	CALIF. CAMARO 2ND-TYPE	CALIF. CAMARO 2ND-TYPE	CALIF. A-B-F-X EL CAMINO & SPRINT 3RD-TYPE	CALIF. B-F-X 3RD-TYPE	APPLICATION
	NON A/C AUTO TRANS	AIR COND. AUTO TRANS	NON A/C AUTO TRANS	AIR COND. AUTO TRANS	<b>CARBURETOR No.</b>
	17057310	17057312	17057322	17057324	<b>REPLACEMENT PACKAGE No.</b>
	21-3147	21-3147	21-3182	21-3182	<b>OVERHAUL KIT</b>
	17055352				<b>POWER CARBURETOR KIT</b>
	9323				<b>GASKET SET</b>
	40-458				
<b>AIR HORN PARTS</b>					
Illus. No.	17054451				Air Horn Assembly
1	7043089				Screw—Air Horn (Long)
2	7030917				Screw—Air Horn (Short)
3	7043588				Bracket—Air Cleaner Stud
4	7042813				Screw—Bracket Attaching
5					Idle Vent Valve Kit
6					Gasket—Air Horn
7	7044238				
<b>CHOKE PARTS</b>					
8	7020926				Screw—Choke Valve (2)
9	7049918				Choke Valve
10	7045064	7045064	17060446	17060446	Vacuum Break Assy. Bowl Side
11	7003561				Screw—Cam Attaching
12	7044188				Choke Shaft Lever & Link Assy.
13	7044196				Vac. Brk. Lever & Link Assy.
14	7019709				Screw—Vac. Brk. Lever Attch.
15	7044261				Link—Cam
16	7019709				Screw—Stat Lever Attaching
17	7044091				Lever—Stat Coil
18	7026339				Hose Vacuum Break



	17057310	17057312	17057322	17057324	CARBURETOR No.
Illus. No.	CHOKE PARTS (Continued)				
19	17056841				Cam—Fast Idle
20	17056852				Electric Stat Cover & Coil Assy.
21	7044199				Choke Housing & Bearing Assy.
22	17051625				Screw—Choke Housing to Bowl (1)
23	17051626				Screw—Choke Housing to Bowl (2)
24	7044236				Choke Coil Lever & Shaft Assy.
25	7000614				Retainer—Choke Cover (3)
26	7011270				Screw—Choke Cover (3)
FLOAT BOWL PARTS					
27	7002117				Ball—Pump Discharge
28	17056474				Lever—Pump Actuating
29	7037022				Float Assembly
30	7035512				Power Piston Assembly
31	7044791				Metering Rod & Spring Assy.
32	7012515				Spring—Power Piston
33	17055196				Rod—Power Piston Kit
34	7034203				Jet—Main Metering
35	17052340				Idle Tube Assembly
36	7002118				Spring—Pump Discharge
37	7003838				Guide—Pump Discharge
38	17055508				Float Bowl Assembly
39	30-156				Needle & Seat Assembly
40	KIT ONLY				Gasket—Needle Seat
41	7034032				Hinge Pin—Float
42	7032732				Spring—Fuel Filter
43	GF-470				Filter—Fuel Inlet
44	7032508				Gasket—Filter Nut
45	7038946				Filter Nut—Fuel Inlet
46	7043575				Solenoid—Idle Stop
47	—				Spring—Solenoid Locking
48	7041176				Spring—Pump Return
49	7037595				Pump Assembly
50	7044344				Bracket Thr. Return
51	17050024				Screw—Thr. Bracket (1)
52	7041287				Screw—Thr. Bracket (2)
53	7027970				Gasket—Idle Compensator
54	17060388				Idle Compensator
THROTTLE BODY PARTS					
55	KIT ONLY				Gasket—Throttle Body
56	17056871				Throttle Body Assembly
57	7035267				Link—Pump Lever
58	7010435				Screw—Lever Attaching
59	17055196				Link—Power Piston Rod Kit
60	17055196				Lever—Pump & Pwr. Rods Kit
61	7038989				Spring—Idle Needle
62	7048964				Idle Needle
63	7043087				Screw—Throttle Body
64	333977				Insulator—Flange





# Delco Carburetor

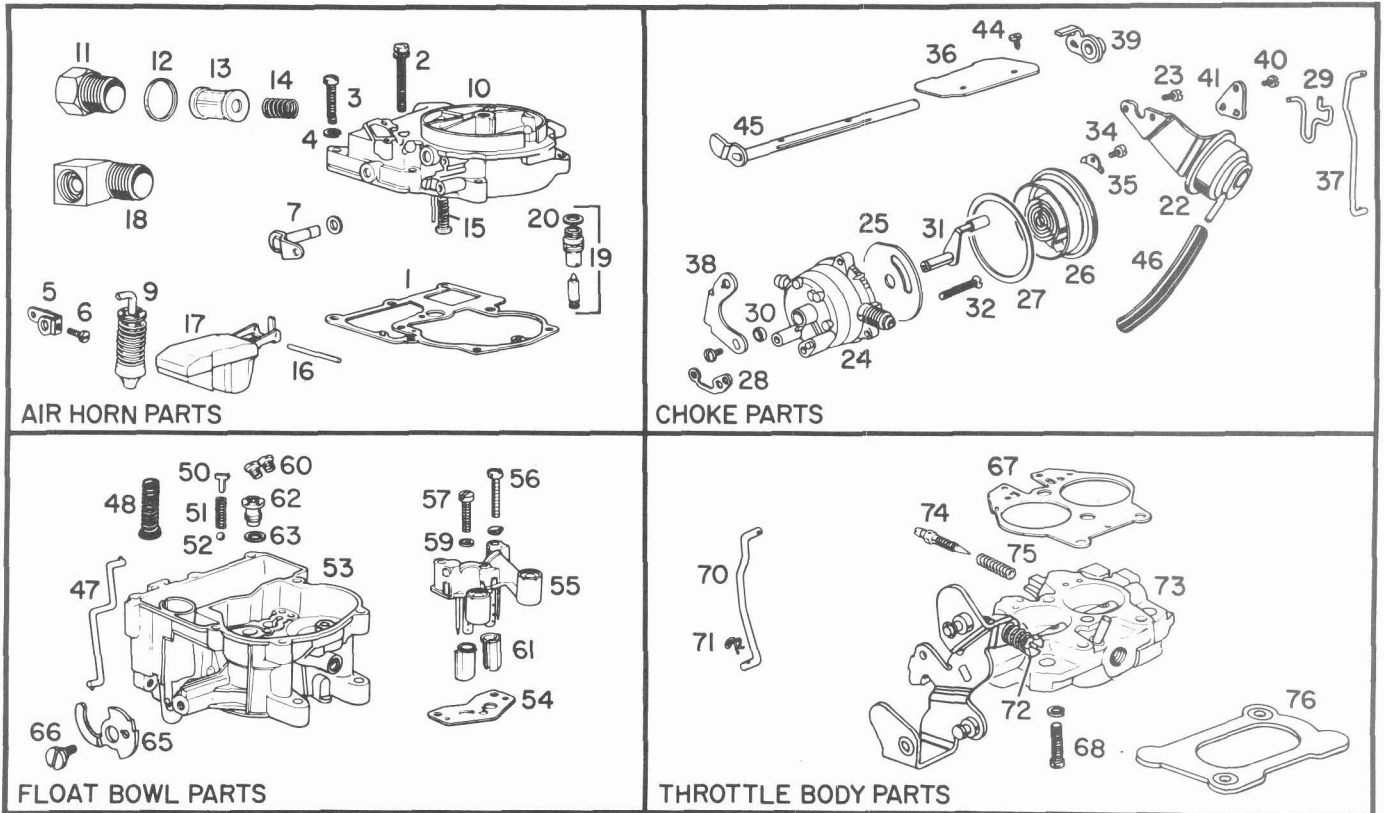
## MODEL 2GC CARBURETORS

BULLETIN 9C-3111  
 DATE: July, 1978  
 PAGE 1  
 Replaces 9C-3111  
 Dated November 1976

### 1977 CHEVROLET MONZA

### 305 CUBIC INCH ENGINE

PARTS SHOWN ARE FOR IDENTIFICATION ONLY. CONSULT PARTS LIST FOR CORRECT PART NAME AND NUMBER



**PARTS IN ALL COLUMNS SAME — EXCEPT WHERE INDICATED**

	ALTITUDE NON A/C AUTO. TRANS.	ALTITUDE AIR COND. AUTO. TRANS.	FEDERAL NON A/C MAN. TRANS.	FEDERAL AIR COND. MAN. TRANS.	CALIF. NON A/C AUTO. TRANS.	CALIF. AIR COND. AUTO. TRANS.	APPLICATION
	17057104	17057105	17057107	17057109	17057404	17057405	CARBURETOR No.
	22-3133	22-3133	22-3136	22-3141	22-3128	22-3129	REPLACEMENT PKG. No.
	17055335	17055335	17055337	17055337	17055235	17055235	OVERHAUL KIT
	9326	9326	9325	9325	9321	9321	POWER CARB. KIT
	40-456						GASKET SET
Illus. No.	AIR HORN PARTS						
1	17050409						Gasket—Air Horn
2	7010432						Screw—Air Horn—Long
3	7006119						Screw—Air Horn—Short
4	—						Lockwasher—Air Horn Screw
5	7032377						Pump Lever—Inside
6	7011270						Screw—Pump Lever
7	7044029	7044029	17050230	17050230	7044029	7044029	Pump Shaft & Lever Assy.
—	7019568						Washer—Pump Shaft
8	—						Clip—Pump
9	7036282	7036282	7046028	7046028	7036282	7036282	Pump Assembly
10	17065256	17065256	17065256	17065256	17055379	17055379	Air Horn Assembly
11	17053408						Filter Nut—Fuel Inlet
12	7032508						Gasket—Filter Nut
13	GF-470						Filter—Fuel Inlet
14	17051764						Spring—Fuel Inlet Filter
15	7009054	7009054	7009054	7009054	7006323	7006323	Power Piston Assembly
16	7002081						Pin—Float Hinge
17	7037512						Float Assembly
18	7044032						Elbow—Filter Nut

CO, WD, 131, 132:16, 9X, 9FR, 9FD, 9LA  
 NSS—NOT SERVICED SEPARATELY

PRINTED IN U.S.A.  
 ©1978 GENERAL MOTORS CORP.

	17057104	17057105	17057107	17057109	17057404	17057405	CARBURETOR No.
AIR HORN PARTS (Continued)							
19	30-152	30-152	30-152	30-152	30-155	30-155	Needle & Seat Assembly
20	KIT ONLY						Gasket—Needle Seat
—							
CHOKE PARTS							
21	—			—			Vac. Brk. Control Assy.
22	7044056						Vac. Brk. Con. & Brkt. Assy.
23	7037570						Screw—Control Attaching
24	17055540	17055540	17055541	17055541	17055540	17055540	Choke Housing
25	7037239						Baffle Plate
26	17052654						Stat Cover, Coil & Gsk. Assy.
27	17050961						Gasket—Stat Cover
28	7043291						Gasket—Choke Housing
29	7040239						Link—Vacuum Break
30	7037569						Dust Seal—Inter. Choke Shaft
31	7043289						Inter. Choke Shaft Assy.
32	7043292						Screw—Choke Housing
33							Cam Lever & Bushing Assy.
34	7011270						Screw—Stat Cover
35	7000614						Retainer—Stat Cover
36	7033443						Choke Valve
37	17050270						Intermediate Choke Rod
38	17050266						Intermediate Choke Lever
39	17050766						Lever Choke
40	7019709						Screw—Choke Levers
41	17050271						Lever—Choke Shaft
42							
43							
44	7007627						Screw—Choke Valve
45	7047797						Choke Shaft Assy.
46	7026339						Hose—Vacuum
47	7043370						Choke Link
FLOAT BOWL PARTS							
48	7041141						Spring—Pump Return
49	7002120						Ball—Pump Inlet Check
—							Strainer—Pump Inlet
50	NLA						Guide—Pump Discharge
51	7002118						Spring—Pump Discharge
52	7002117						Ball—Pump Discharge
53	17055339	17055339	17055339	17055339	17055092	17055092	Float Bowl Assembly
54	KIT ONLY						Gasket—Venturi Cluster
55	17054520	17054520	17054520	17054520	17057958	17057958	Venturi Cluster Assembly
56	7045762						Screw—Venturi Cluster—Out.
57	7009077						Screw—Cluster—Center
58	—			—			Lockwasher—Outer Screws
59	KIT ONLY						Gasket—Center Screw
60	7002652	7002652	7002651	7002651	7002653	7002653	Jet—Standard (See Note)
61	7040320						Insert—Main Well
62	7011989						Power Valve Assembly
63	KIT ONLY						Gasket—Power Valve
64	—						
65	7045057	7045057	7044039	7044039	7045057	7045057	Cam—Fast Idle
66	7036222						Screw—Cam Attaching
—	—	7044300	—	7044300	—	7044300	Solenoid—Idle Stop
—	—	7042818	—	7042818	—	7042818	Bracket & Washer Assy.
—	—	7042654	—	7042654	—	7042654	Nut—Solenoid Retaining
—	—	7043682	—	7043682	—	7043682	Screw—Bracket Attaching
—	—						
THROTTLE BODY PARTS							
67	KIT ONLY						Gasket—Throttle Body
68	7015105						Screw—Throttle Body
69	—						Lockwasher—Thr. Body Scr.
70	7041249	7041249	17050277	17050277	7041249	7041249	Pump Rod
71	7018186						Clip—Pump Rod
72	7029427						Idle Stop Screw
—	7041519						Spring—Idle Stop Screw
73	17055336	17055336	17055333	17055333	17055231	17055231	Throttle Body Assembly
74	7048860						Idle Needle
75	7011479						Spring—Idle Needle
76	6271058						Insulator—Flange



# Delco Carburetor

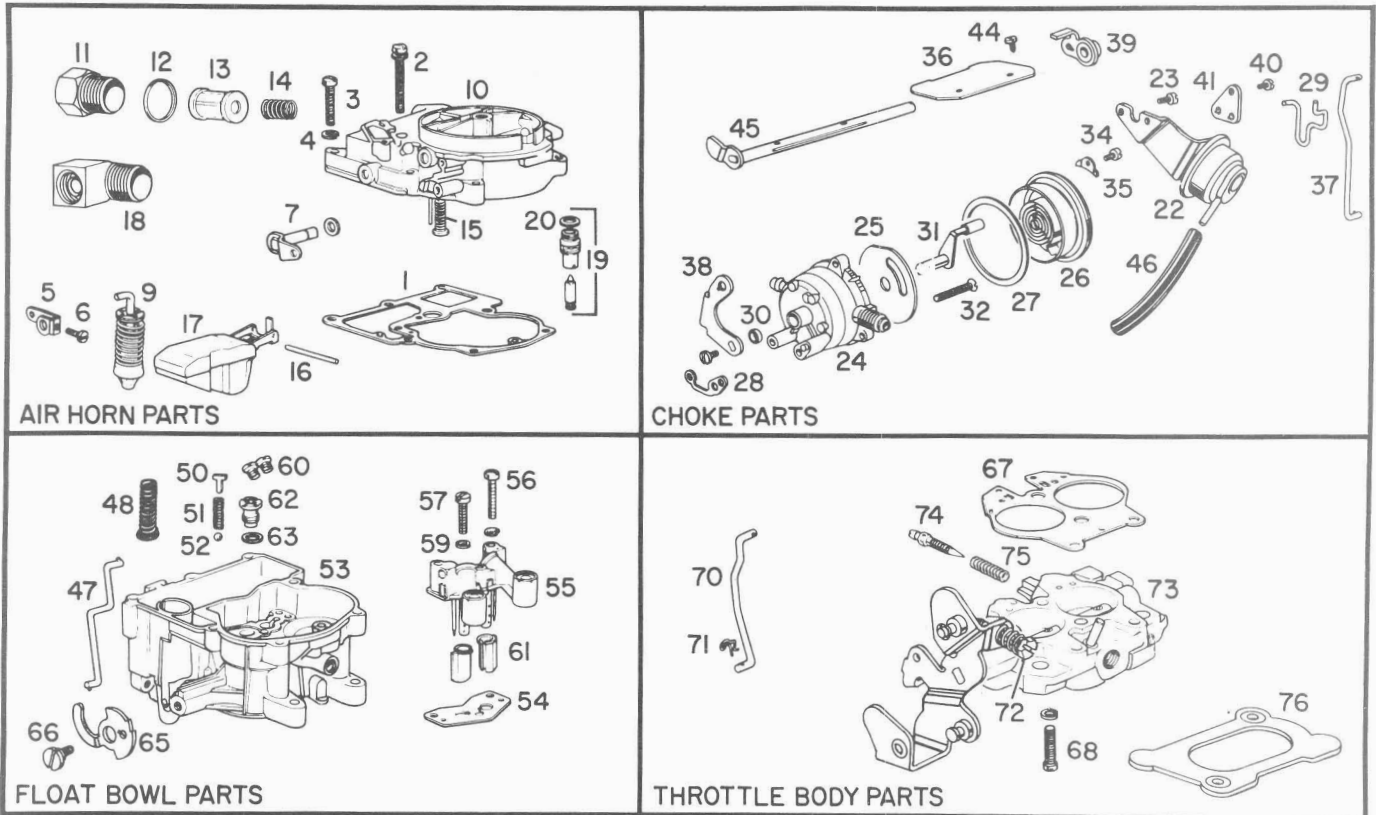
## MODEL 2GC CARBURETORS

1977 CHEVROLET, MONTE CARLO, CHEVELLE,  
NOVA, EL CAMINO & SPRINT

305 CUBIC INCH ENGINE

BULLETIN 9C-3112  
DATE: July, 1978  
PAGE 1  
Replaces 9C-3112  
Dated November 1976

PARTS SHOWN ARE FOR IDENTIFICATION ONLY. CONSULT PARTS LIST FOR CORRECT PART NAME AND NUMBER



### PARTS IN ALL COLUMNS SAME — EXCEPT WHERE INDICATED

A-ASP-B-X NON A/C FED. A/T	A-ASP-B-X AIR COND. FED. A/T	NOVA NON A/C FED. M/T	NOVA AIR COND. FED. M/T	B-SED, X NON A/C CALIF. A/T	B-SED, X AIR COND. CALIF. A/T	APPLICATION
17057108	17057110	17057113	17057123	17057408	17057410	CARBURETOR No.
22-3134	22-3132	22-3135	22-3140	22-3130	22-3131	REPLACEMENT PKG. No.
17055338	17055338	17054001	17054001	17055334	17055334	OVERHAUL KIT
9327	9327	9309	9309	9328	9328	POWER CARBURETOR KIT
40-448						GASKET SET

Illus. No.	AIR HORN PARTS						
1	7045671						Gasket—Air Horn
2	7010432						Screw—Air Horn—Long
3	7006119						Screw—Air Horn—Short
4	—						Lockwasher—Air Horn Screw
5	7032377						Pump Lever—Inside
6	7011270						Screw—Pump Lever
7	7044029	7044029	17050230	17050230	7044029	7044029	Pump Shaft & Lever Assem.
—	7019568						Washer—Pump Shaft
8	—						Clip—Pump
9	7036282	7036282	7046028	7046028	7036282	7036282	Pump Assembly
10	17065256	17065256	17065256	17065256	17055379	17055379	Air Horn Assembly
11	17051765						Filter Nut—Fuel Inlet
12	7032508						Gasket—Filter Nut
13	GF-470						Filter—Fuel Inlet
14	7032732						Spring—Fuel Inlet Filter
15	7009054	7009054	7009054	7009054	7006323	7006323	Power Piston Assembly
16	7002081						Pin—Float Hinge
17	7037512						Float Assembly
18	—						Elbow—Filter Nut

	17057108	17057110	17057113	17057123	17057408	17057410	CARBURETOR No.	
Illus No.	AIR HORN PARTS (Continued)							
19	30-152	30-152	30-152	30-152	30-155	30-155	Needle & Seat Assembly	
20	KIT ONLY						Gasket—Needle Seat	
—	—							
CHOKE PARTS								
21	—						Vac. Brk. Control Assembly	
22	7044056						Vac. Brk. Con. & Brkt. Assy.	
23	7037570						Screw—Control Attaching	
24	17055540	17055540	17055541	17055541	17055540	17055540	Choke Housing	
25	7037239						Baffle Plate	
26	17052654						Stat Cov., Coil & Gaskt. Assy.	
27	17050961						Gasket—Stat Cover	
28	7043291						Gasket—Choke Housing	
29	7040239						Link—Vacuum Break	
30	7037569						Dust Seal—Inter. Ch. Shaft	
31	7043289						Inter. Choke Shaft Assy.	
32	7043292						Screw—Choke Housing	
33							Cam Lvr. & Bushing Assy.	
34	7011270						Screw—Stat Cover	
35	7000614						Retainer—Stat Cover	
36	7033443						Choke Valve	
37	17050270						Intermediate Choke Rod	
38	17050266						Intermediate Choke Lever	
39	17050766						Lever Choke	
40	7019709						Screw—Choke Levers	
41	17050271						Lever—Choke Shaft	
42								
43								
44	7007627						Screw—Choke Valve	
45	7047797						Choke Shaft Assy.	
46	7026339						Hose—Vacuum	
47	7043370						Choke Link	
FLOAT BOWL PARTS								
48	7041141						Spring—Pump Return	
49	7002120						Ball—Pump Inlet Check	
—	—						Strainer—Pump Inlet	
50	NLA						Guide—Pump Discharge	
51	7002118						Spring—Pump Discharge	
52	7002117						Ball—Pump Discharge	
53	17055339	17055339	17055339	17055339	17055092	17055092	Float Bowl Assembly	
54	KIT ONLY						Gasket—Venturi Cluster	
55	17054520	17054520	17054520	17054520	17057958	17057958	Venturi Cluster Assembly	
56	7045762						Scr—Venturi Cluster—Outer	
57	7009077						Screw—Cluster—Center	
58	—						Lockwasher—Outer Screws	
59	KIT ONLY						Gasket—Center Screw	
60	7002652	7002652	7002651	7002651	7002653	7002653	Jet—Standard (See Note)	
61	7040320						Insert—Main Well	
62	7011989						Power Valve Assembly	
63	KIT ONLY						Gasket—Power Valve	
64								
65	7045057	7045057	7044039	7044039	7045057	7045057	Cam—Fast Idle	
66	7036222						Screw—Cam Attaching	
—	—	1997409	—	1997409	—	1997409	Solen.—Idle Stop (See Note)	
—	—	7042818	—	7042818	—	7042818	Brkt. & Washer Assy.	
—	—	7042654	—	7042654	—	7042654	Nut—Solenoid Retaining	
—	—	7043682	—	7043682	—	7043682	Screw—Bracket Attaching	
—	—	—	—	—	—	—		
THROTTLE BODY PARTS								
67	KIT ONLY						Gasket—Throttle Body	
68	7015105						Screw—Throttle Body	
69	—						Lockwasher—Thr. Body Scr.	
70	7041249	7041249	1750277	17050277	7041249	7041249	Pump Rod	
71	7018186						Clip—Pump Rod	
72	7029427						Idle Stop Screw	
—	7041519						Spring—Idle Stop Screw	
73	17055336	17055336	17055333	17055333	17055231	17055231	Throttle Body Assembly	
74	7048860						Idle Needle	
75	7011479						Spring—Idle Needle	
76	6271058						Insulator—Flange	

Note: Solenoid Available Through Delco-Remy





# Delco Carburetor

## MODEL 2GC CARBURETORS

1977 CHEVROLET CHEVELLE, CAMARO,  
NOVA, EL CAMINO & SPRINT (LATE)  
305 CUBIC INCH ENGINE

BULLETIN 9C-3112A

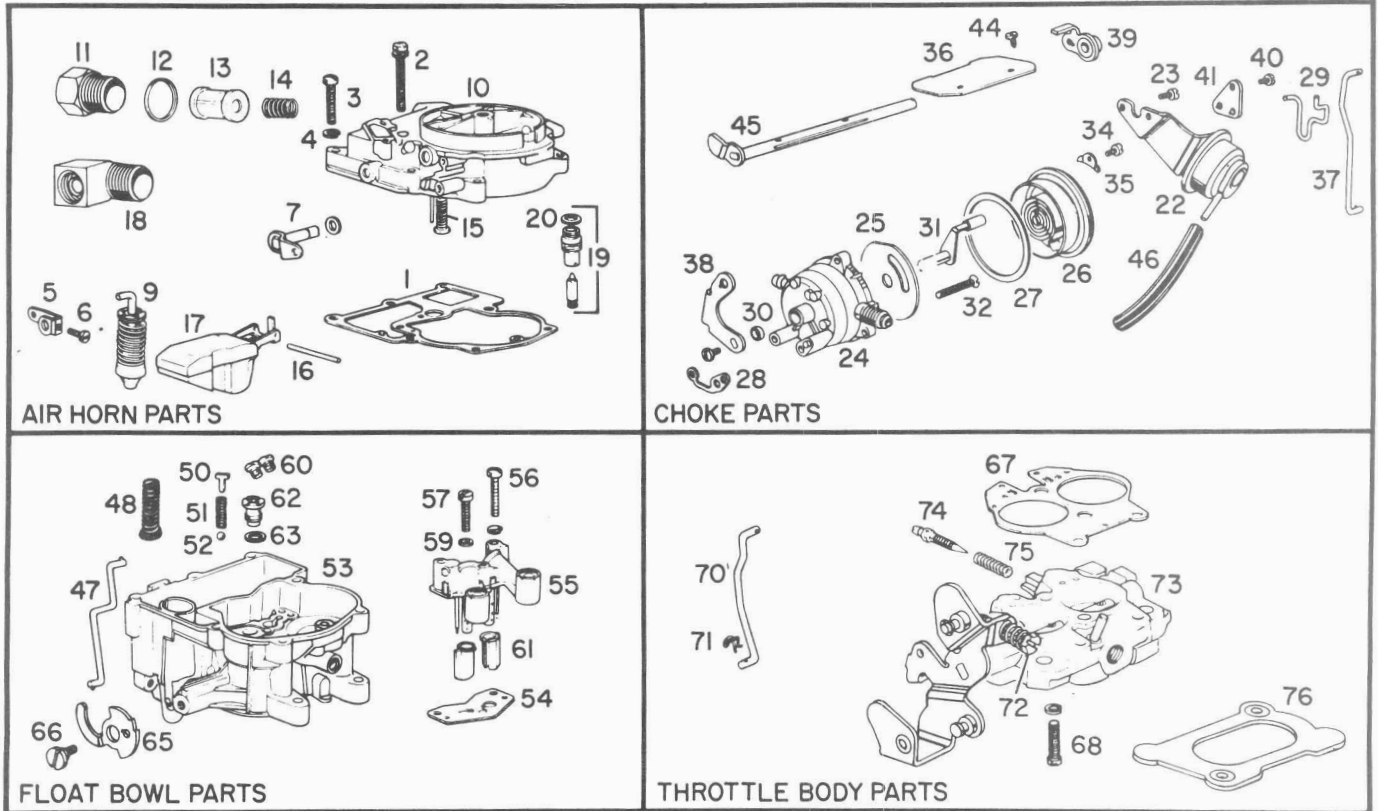
DATE: July, 1978

PAGE 1

Replaces 9C-3112A

Dated November 1977

PARTS SHOWN ARE FOR IDENTIFICATION ONLY. CONSULT PARTS LIST FOR CORRECT PART NAME AND NUMBER



**PARTS IN ALL COLUMNS SAME — EXCEPT WHERE INDICATED**

	A - X NON A/C FED. A/T	A - X AIR COND. FED. A/T	CAMARO NON A/C FED.	CAMARO AIR COND. FED.	APPLICATION
	17057188	17057190	17057192	17057194	CARBURETOR No.
	22-3143	22-3144	22-3143	22-3144	REPLACEMENT PACKAGE No.
	17055338				OVERHAUL KIT
	9327				POWER CARBURETOR KIT
	40-448				GASKET SET

Illus. No.	AIR HORN PARTS				
1	7045671				Gasket—Air Horn
2	7010432				Screw—Air Horn—Long
3	7006119				Screw—Air Horn—Short
4	—				Lockwasher—Air Horn Screw
5	7032377				Pump Lever—Inside
6	7011270				Screw—Pump Lever
7	7044029				Pump Shaft & Lever Assembly
—	7019568				Washer—Pump Shaft
8	—				Clip—Pump
9	7036282				Pump Assembly
10	17065256				Air Horn Assembly
11	17051765	17051765	17053408	17053408	Filter Nut—Fuel Inlet
12	7032508				Gasket—Filter Nut
13	GF-470				Filter—Fuel Inlet
14	7032732				Spring—Fuel Inlet Filter
15	7009054				Power Piston Assembly
16	7002081				Pin—Float Hinge
17	7037512				Float Assembly
18	NONE	NONE	7044035	7044025	Elbow—Filter Nut
19	30-152				Needle & Seat Assembly

	17057188	17057190	17057192	17057194	CARBURETOR No.
Illus. No.	AIR HORN PARTS (Continued)				
20	KIT ONLY				Gasket—Needle Seat
—	—				
CHOKE PARTS					
21	—				Vac. Brk. Control Assembly
22	7044056				Vac. Brk. Con. & Brkt. Assy.
23	7037570				Screw—Control Attaching
24	17055540				Choke Housing
25	7037239				Baffle Plate
26	17052654				Stat Cov., Coil & Gasket Assy.
27	17050961				Gasket—Stat Cover
28	7043291				Gasket—Choke Housing
29	7040239				Link—Vacuum Break
30	7037569				Dust Seal—Intermediate Choke Shaft
31	7043289				Intermediate Choke Shaft Assy.
32	7043292				Screw—Choke Housing
33					Cam Lever & Bushing Assy.
34	7011270				Screw—Stat Cover
35	7000614				Retainer—Stat Cover
36	7033443				Choke Valve
37	17050270				Intermediate Choke Rod
38	17050266				Intermediate Choke Lever
39	17050766				Lever Choke
40	7019709				Screw—Choke Levers
41	17050271				Lever—Choke Shaft
42					
43					
44	7007627				Screw—Choke Valve
45	7047797				Choke Shaft Assy.
46	7026339				Hose—Vacuum
47	7043370				Choke Link
FLOAT BOWL PARTS					
48	7041141				Spring—Pump Return
49	7002120				Ball—Pump Inlet Check
—					Strainer—Pump Inlet
50	NLA				Guide—Pump Discharge
51	7002118				Spring—Pump Discharge
52	7002117				Ball—Pump Discharge
53	17055339				Float Bowl Assembly
54	KIT ONLY				Gasket—Venturi Cluster
55	17054520				Venturi Cluster Assembly
56	7045762				Screw—Venturi Cluster—Outer
57	7009077				Screw—Cluster—Center
58	—				Lockwasher—Outer Screws
59	KIT ONLY				Gasket—Center Screw
60	7002651				Jet—Standard (See Note)
61	7040320				Insert—Main Well
62	7011989				Power Valve Assembly
63	KIT ONLY				Gasket—Power Valve
64					
64	7045057				Cam—Fast Idle
66	7036222				Screw—Cam Attaching
—	—	1997409	—	1997409	Solenoid—Idle Stop (See Note)
—	—	7042818	—	7042818	Bracket & Washer Assy.
—	—	7042654	—	7042654	Nut—Solenoid Retaining
—	—	7043682	—	7043682	Screw—Bracket Attaching
—	—	—	—	—	
THROTTLE BODY PARTS					
67	KIT ONLY				Gasket—Throttle Body
68	7015105				Screw—Throttle Body
69	—			—	Lockwasher—Throttle Body Screw
70	7041249				Pump Rod
71	7018186				Clip—Pump Rod
72	7029427				Idle Stop Screw
—	7041519				Spring—Idle Stop Screw
73	17055336				Throttle Body Assembly
74	7048860				Idle Needle
75	7011479				Spring—Idle Needle
76	6271058				Insulator—Flange

Note: Solenoid Available Through Delco-Remy





# Delco Carburetor

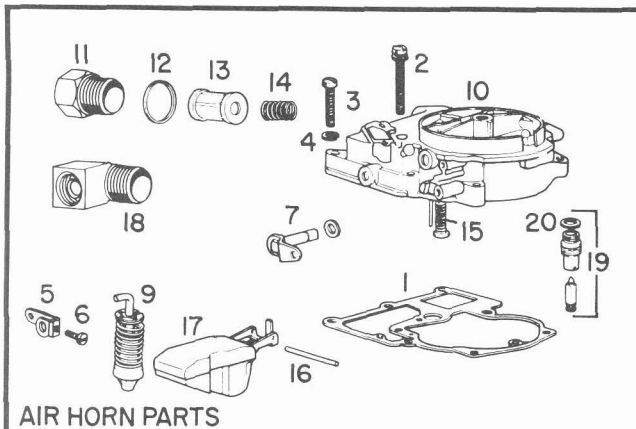
MODEL 2GC CARBURETORS

1977 CHEVROLET CAMARO

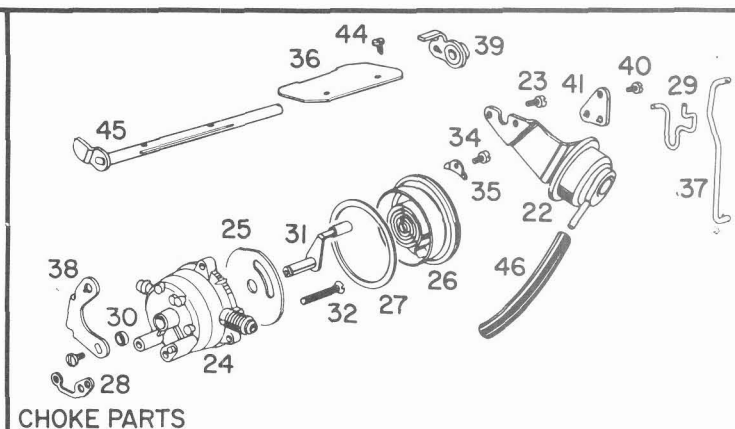
BULLETIN 9C-3113  
 DATE: July, 1978  
 PAGE 1  
 Replaces 9C-3113  
 Dated November 1976

305 CUBIC INCH ENGINE

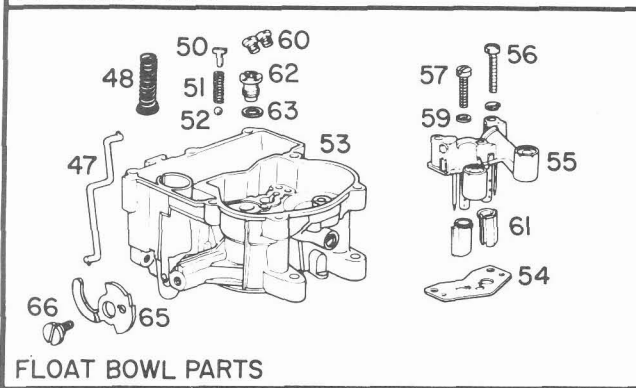
PARTS SHOWN ARE FOR IDENTIFICATION ONLY. CONSULT PARTS LIST FOR CORRECT PART NAME AND NUMBER



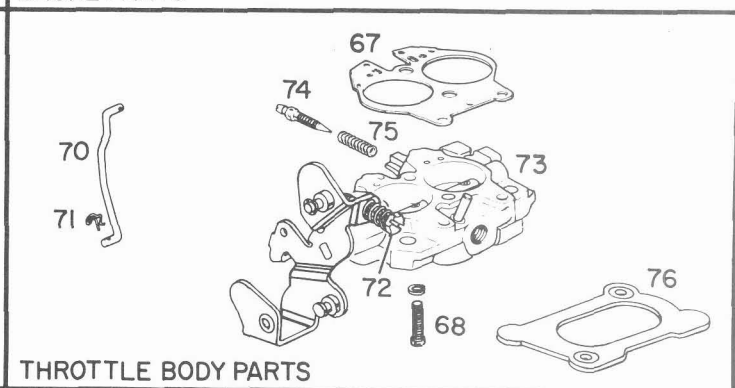
AIR HORN PARTS



CHOKE PARTS



FLOAT BOWL PARTS



THROTTLE BODY PARTS

PARTS IN ALL COLUMNS SAME — EXCEPT WHERE INDICATED

FEDERAL NON A/C MAN. TRANS.	FEDERAL NON A/C AUTO. TRANS.	FEDERAL AIR COND. AUTO. TRANS.	FEDERAL AIR COND. MAN. TRANS.	CALIF. NON A/C AUTO. TRANS.	CALIF. AIR COND. AUTO. TRANS.	APPLICATION
17057111	17057112	17057114	17057121	17057412	17057414	CARBURETOR No.
22-3135	22-3134	22-3132	22-3140	22-3130	22-3131	REPLACEMENT PKG. No.
17054001	17055338	17055338	17054001	17055334	17055334	OVERHAUL KIT
9309	9327	9327	9309	9328	9328	POWER CARB. KIT
40-448						GASKET SET

Illus. No.	AIR HORN PARTS						
1	7045671						Gasket—Air Horn
2	7010432						Screw—Air Horn—Long
3	7006119						Screw—Air Horn—Short
4	—						Lockwasher—Air Horn Screw
5	7032377						Pump Lever—Inside
6	7011270						Screw—Pump Lever
7	17050230	7044029	7044029	17050230	7044029	7044029	Pump Shaft & Lever Assy.
8	7019568						Washer—Pump Shaft
9	7046028	7036282	7036282	7046028	7036282	7036282	Clip—Pump
10	17065256	17065256	17065256	17065256	17055379	17055379	Pump Assembly
11	17053408						Air Horn Assembly
12	7032508						Filter Nut—Fuel Inlet
13	GF-470						Gasket—Filter Nut
14	17051764						Filter—Fuel Inlet
15	7009054	7009054	7006323	7009054	7006323	7006323	Spring—Fuel Inlet Filter
16	7002081						Power Piston Assembly
17	7037512						Pin—Float Hinge
18	7044035						Float Assembly
							Elbow—Filter Nut

CO, WD, 131, 132:16, 9X, 9FR, 9FD, 9LA  
 NSS—NOT SERVICED SEPARATELY

PRINTED IN U.S.A.  
 ©1978 GENERAL MOTORS CORP.

	17057111	17057112	17057114	17057121	17057412	17057414	CARBURETOR No.
AIR HORN PARTS (Continued)							
Illus. No.							
19	30-152	30-152	30-152	30-152	30-155	30-155	Needle & Seat Assembly
20	KIT ONLY						Gasket—Needle Seat
—	—						
CHOKE PARTS							
21	—						Vac. Break Control Assy.
22	7044056						Vac. Brk Con. & Brkt. Assy.
23	7037570						Screw—Control Attaching
24	17055541	17055540	17055540	17055541	17055540	17055540	Choke Housing
25	7037239						Baffle Plate
26	17052654						Stat Cover, Coil & Gsk. Assy.
27	17050961						Gasket—Stat Cover
28	7043291						Gasket—Choke Housing
29	7040239						Link—Vacuum Break
30	7037569						Dust Seal—Inter. Ch. Shaft
31	7043289						Inter. Choke Shaft Assy.
32	7043292						Screw—Choke Housing
33							Cam Lever & Bushing Assy.
34	7011270						Screw—Stat Cover
35	7000614						Retainer—Stat Cover
36	7033443						Choke Valve
37	17050270						Inter. Choke Rod
38	17050266						Inter. Choke Lever
39	17050766						Lever Choke
40	7019709						Screw—Choke Levers
41	17050271						Lever—Choke Shaft
42							
43							
44	7007627						Screw—Choke Valve
45	7047797						Choke Shaft Assy.
46	7026339						Hose—Vacuum
47	7043370						Choke Link
FLOAT BOWL PARTS							
48	7041141						Spring—Pump Return
49	7002120						Ball—Pump Inlet Check
—							Strainer—Pump Inlet
50	NLA						Guide—Pump Discharge
51	7002118						Spring—Pump Discharge
52	7002117						Ball—Pump Discharge
53	17055339	17055339	17055339	17055339	17055092	17055092	Float Bowl Assembly
54	KIT ONLY						Gasket—Venturi Cluster
55	17054520	17054520	17054520	17054520	17057958	17057958	Venturi Cluster Assembly
56	7045762						Scr.—Venturi Cluster—Outer
57	7009077						Screw—Cluster—Center
58	—						Lockwasher—Outer Screws
59	KIT ONLY						Gasket—Center Screw
60	7002651	7002652	7002652	7002651	7002653	7002653	Jet—Standard (See Note)
61	7040320						Insert—Main Well
62	7011989						Power Valve Assembly
63	KIT ONLY						Gasket—Power Valve
64							
65	7044039	7045057	7045057	7044039	7045057	7045057	Cam—Fast Idle
66	7036222						Screw—Cam Attaching
—	—	—	1997409	1997409	—	1997409	Solen.—Idle Stop (See Note)
—	—	—	7042818	7042818	—	7042818	Brkt & Washer Assembly
—	—	—	7042654	7042654	—	7042654	Nut—Solenoid Retaining
—	—	—	7043682	7043682	—	7043682	Screw—Bracket Attaching
—	—	—	—	—	—	—	
THROTTLE BODY PARTS							
67	KIT ONLY						Gasket—Throttle Body
68	7015105						Screw—Throttle Body
69	—						Lockwasher—Thr. Body Scr.
70	17050277	7041249	7041249	17050277	7041249	7041249	Pump Rod
71	7018186						Clip—Pump Rod
72	7029427						Idle Stop Screw
—	7041519						Spring—Idle Stop Screw
73	17055333	17055336	17055336	17055333	17055231	17055231	Throttle Body Assembly
74	7048860						Idle Needle
75	7011479						Spring—Idle Needle
76	6271058						Insulator—Flange

Note: Solenoid Available Through Delco-Remy



# Delco Carburetor

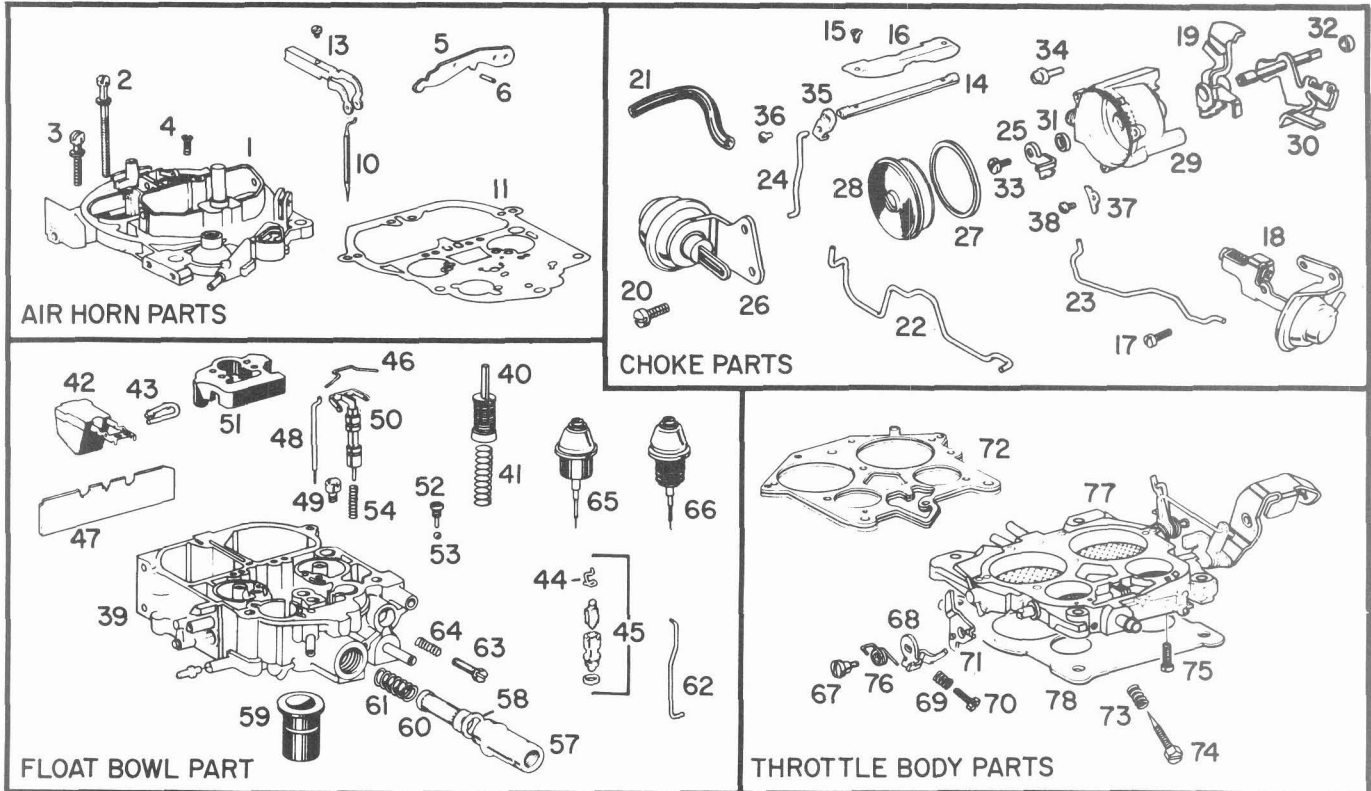
MODEL M4MC QUADRAJET

1977 CHEVROLET, CHEVELLE, MONTE CARLO,  
CAMARO, NOVA, CORVETTE & ELCAMINO

350 CUBIC INCH ENGINE

BULLETIN 9C-3114  
DATE: July, 1978  
PAGE 1  
Replaces 9C-3114  
Dated November 1976

PARTS SHOWN ARE FOR IDENTIFICATION ONLY. CONSULT PARTS LIST FOR CORRECT PART NAME AND NUMBER



**PARTS IN ALL COLUMNS SAME — EXCEPT WHERE INDICATED**

FEDERAL ALL NON A/C AUTO. TRANS.	FEDERAL ALL AIR COND. AUTO. TRANS.	CALIF. ALL NON A/C AUTO. TRANS.	CALIF. ALL AIR COND. AUTO. TRANS.	ALTITUDE ALL NON A/C AUTO. TRANS.	ALTITUDE ALL AIR COND. AUTO. TRANS.	APPLICATION
17057202	17057204	17057502	17057504	17057582	17057584	CARBURETOR No.
24-3142	24-3142	24-3141	24-3141	24-3154	24-3154	REPLACEMENT PKG. No.
17053998	17053998	17055322	17055322	17055322	17055322	OVERHAUL KIT
9299						POWER CARB. KIT
40-449						GASKET SET

Illus. No.	AIR HORN PARTS					
1	17052990					Air Horn Assembly
2	7029912					Screw—Air Horn
3	7014699					Screw—Air Horn
4	7031105					Screw—Air Horn
5	7048169					Lever—Pump Actuating
6	9428787					Roll Pin—Pump & Lockout Lvr.s.
7	—					Screw—Idle Vent Valve
8	—					Valve—Idle Vent
9	—					Idle Vent Valve Kit
10	7045779					Metering Rod—Secondary
11	17051797					Gasket—Air Horn
12	—					Lockout Lever—Air Valve
13	7034522					Sec. Metering Rod Holder Kit
—	7035344					Air Valve Spring & Cam Kit

	17057202	17057204	17057502	17057504	17057582	17057584	CARBURETOR No.
Illus. No.	CHOKE PARTS						
14	7038259						Choke Shaft
15	7029866						Screw—Choke Valve
16	7048904						Choke Valve
17	17050732						Screw—Vacuum Break Control
18	17050759						Vac. Brk. Control & Brkt. Assy.
19	17051176						Cam—Fast Idle
20	—						Screw—Aux. Vac. Brk. Mnting.
21	7026339						Hose—Vacuum
22	7041527						Rod—Vacuum Break
—	7031231						Lever—Inter. Choke
23	—						Link—Aux. Vac. Break
24	7041472						Rod—Choke
25	7041499						Lever—Choke Coil
26	—						Vac. Brk. Con. & Brkt. Assy. Aux.
27	17050961						Gasket—Stat Cover
28	17051918						Stat Cover—Coil & Gskt. Assy.
29	17055546						Choke Housing Kit
30	17050754						Inter. Choke Shaft & Lever
31	7037569						Seal Inter. Choke Shaft
32	7043367						Seal—Choke Housing to Bowl
33	7019709						Screw—Coil Lever
34	7038808						Screw—Choke Housing to Bowl
35	7041542						Lever—Choke
36	7029866						Screw—Choke Lever
37	7000614						Retainer—Stat Cover (3)
38	7011270						Screw—Stat Cover (3)
	FLOAT BOWL PARTS						
39	17055081						Float Bowl Assembly
40	17051374						Pump Assembly
41	7042979						Spring—Pump Return
42	7043379						Float Assembly
43	7041469						Hinge Pin—Float
44	7033751						Pull Clip—Float Needle
45	30-134						Needle & Seat Assembly
	KIT ONLY						Gasket—Needle Seat
46	7041459						Spring—Metering Rod—Primary
47	7031365						Baffle Plate—Float Bowl
48	17051352	17051352	17051341	17051341	17051341	17051341	Metering Rod—Primary
49	7031977	7031977	7031972	7031972	7031972	7031972	Metering Jet—Primary
50	17051792						Power Piston Assembly
51	7041471						Insert—Float Bowl
52	7029849						Retainer—Pump Disch. Ball
53	7002117						Ball—Pump Discharge
54	7029529	7029529	7036019	7036019	7036019	7036019	Spring—Power Piston
55	—						Clip—Pump Rod
56	7041473						Lockout Lever—Secondary
57	17051254						Filter Nut—Fuel Inlet
58	7024281						Gasket—Inlet Nut
59	17051796						Insert—Aneroid Cavity
60	GF-471						Filter—Fuel Inlet
61	7043568						Spring—Inlet Filter
62	7026138						Rod—Pump
63	7002121						Screw—Idle Stop
64	7003176						Spring—Idle Stop Screw
65	—	—	—	—	—	—	A.P.T. Rod Assembly
66	—	—	—	—	—	—	Aneroid Assembly
—	NONE	1997461	NONE	1997461	NONE	1997461	Solenoid & Brkt. Assy. (See Note)
—	NONE	7043682	NONE	7043682	NONE	7043682	Screw—Brkt. Attaching (2)
	THROTTLE BODY PARTS						
67	7036079						Screw—Fast Idle Lvs. Attching.
68	7041498						Lever—Fast Idle
69	7029900						Spring—Fast Idle Screw
70	7044794						Screw—Fast Idle Adjusting
71	7041497						Lever—Cam Follower
72	KIT ONLY						Gasket—Throttle Body
73	7011479						Spring—Idle Needle
74	7048531						Idle Needle
75	7035790						Screw—Throttle Body
76	17051494						Spring—Cam Follower Lever
77	17054405						Throttle Body Assembly
78	372506						Insulator—Flange

Note: Solenoid available through Delco—Remy.



# Delco Carburetor

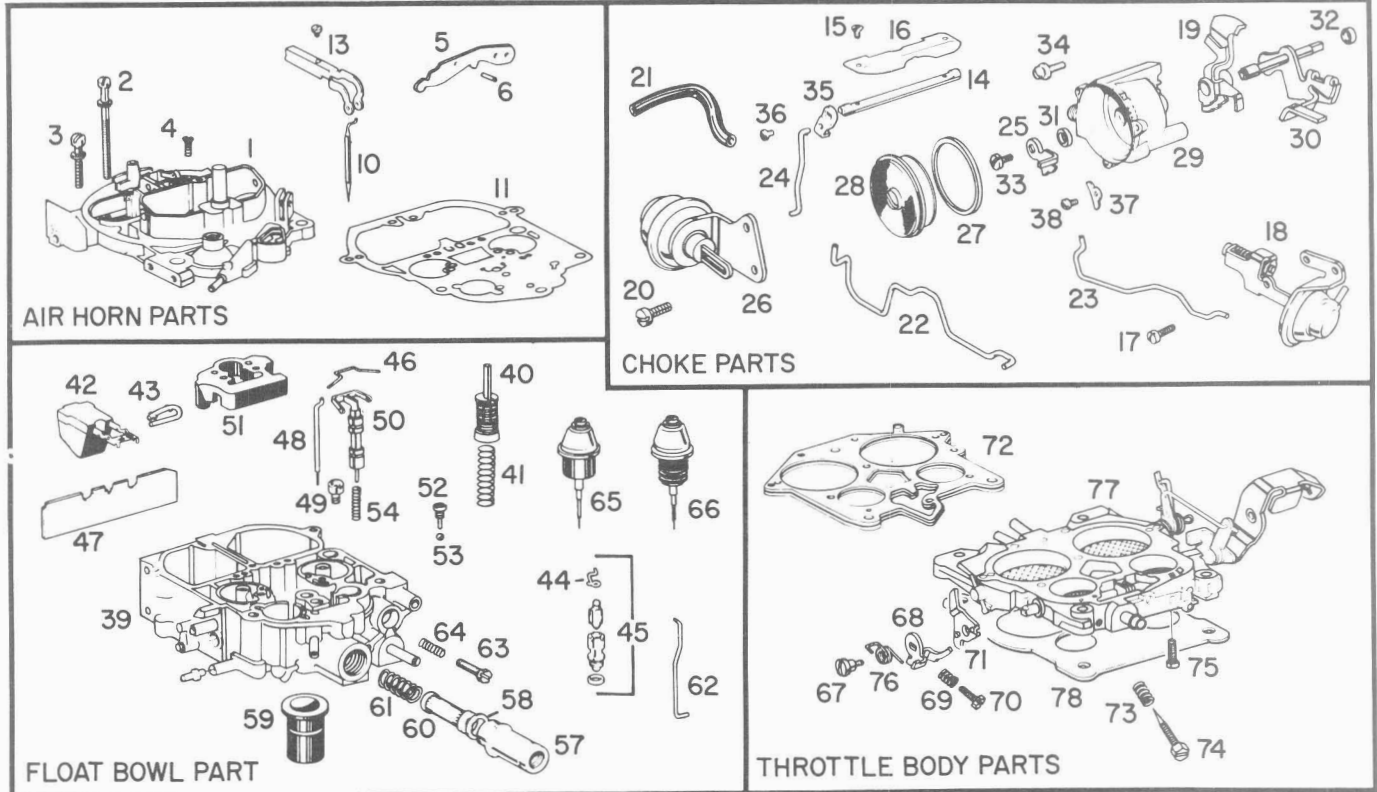
MODEL M4MC QUADRAJET

## 1977-CHEVROLET CAMARO, NOVA & CORVETTE

350 CUBIC INCH ENGINE

BULLETIN 9C-3115  
DATE: July, 1978  
PAGE 1  
Replaces 9C-3115  
Dated November 1976

PARTS SHOWN ARE FOR IDENTIFICATION ONLY. CONSULT PARTS LIST FOR CORRECT PART NAME AND NUMBER



**PARTS IN ALL COLUMNS SAME — EXCEPT WHERE INDICATED**

	FEDERAL CAMARO NOVA CORVETTE NON A/C MAN. TRANS.	FEDERAL CORVETTE HIGH PERF. NON A/C AUTO. TRANS.	FEDERAL CORVETTE HIGH PERF. A/C NON A/C MAN. TRANS.	FEDERAL CORVETTE AIR COND. AUTO. TRANS.	APPLICATION
	<b>17057203</b>	<b>17057210</b>	<b>17057211</b>	<b>17057228</b>	<b>CARBURETOR No.</b>
	<b>24-3147</b>	<b>24-3150</b>	<b>24-3153</b>	<b>24-3144</b>	<b>REPLACEMENT PACKAGE No.</b>
	<b>17053998</b>	<b>17055200</b>	<b>17055200</b>	<b>17055200</b>	<b>OVERHAUL KIT</b>
	9299				<b>POWER CARBURETOR KIT</b>
	40-449				<b>GASKET SET</b>

Illus. No.	AIR HORN PARTS				
1	17052990	17053814	17053814	17053814	Air Horn Assembly
2	7029912				Screw—Air Horn
3	7014699				Screw—Air Horn
4	7031105				Screw—Air Horn
5	7048169				Lever—Pump Actuating
6	9428787				Roll Pin—Pump and Lockout Levers
7	—				Screw—Idle Vent Valve
8	—				Valve—Idle Vent
9	—				Idle Vent Valve Kit
10	7045779				Metering Rod—Secondary
11	17051797				Gasket—Air Horn
12	—				Lockout Lever—Air Valve
13	7034522				Secondary Metering Rod Holder Kit
—	7035344				Air Valve Spring and Cam Kit



	17057203	17057210	17057211	17057228	CARBURETOR No.
Illus. No.	CHOKE PARTS				
14	7038259				Choke Shaft
15	7029866				Screw—Choke Valve
16	7048904				Choke Valve
17	17050732				Screw—Vacuum Break Control
18	17050759	17053201	17053201	17053201	Vacuum Break Control and Bracket Assembly
19	17051176				Cam—Fast Idle
20	—				Screw—Aux. Vac. Brk. Mounting
21	7026339				Hose—Vacuum
22	7041527				Rod—Vacuum Break
—	7031231				Lever—Intermediate Choke
23	—				Link—Aux. Vac. Break
24	7041472				Rod—Choke
25	7041499				Lever—Choke Coil
26	—				Vacuum Break Control & Brkt. Assy. Aux.
27	17050961				Gasket—Stat Cover
28	17051918				Stat Cover—Coil & Gasket Assy.
29	17055546	17055545	17055545	17055545	Choke Housing Kit
30	17050754				Intermediate Choke Shaft & Lever
31	7037569				Seal Inter. Choke Shaft
32	7043367				Seal—Choke Housing to Bowl
33	7019709				Screw—Coil Lever
34	7038808				Screw—Choke Housing to Bowl
35	7041542				Lever—Choke
36	7029866				Screw—Choke Lever
37	7000614				Retainer—Stat Cover (3)
38	7011270				Screw—Stat Cover (3)
	FLOAT BOWL PARTS				
39	17055081	17053983	17053983	17053983	Float Bowl Assembly
40	17051374				Pump Assembly
41	7042979				Spring—Pump Return
42	7043379				Float Assembly
43	7041469				Hinge Pin—Float
44	7033751				Pull Clip—Float Needle
45	30-134				Needle and Seat Assembly
	KIT ONLY				Gasket—Needle Seat
46	7041459				Spring—Metering Rod—Primary
47	7031365				Baffle Plate—Float Bowl
48	17051352	17051353	17051353	17051353	Metering Rod—Primary
49	7031977				Metering Jet—Primary
50	17051792				Power Piston Assembly
51	7041471				Insert—Float Bowl
52	7029849				Retainer—Pump Discharge Ball
53	7002117				Ball—Pump Discharge
54	7029529	17052057	17052057	17052057	Spring—Power Piston
55	—				Clip—Pump Rod
56	7041473				Lockout Lever—Secondary
57	17051254				Filter Nut—Fuel Inlet
58	7024281				Gasket—Inlet Nut
59	17051796				Insert—Aneroid Cavity
60	GF-471				Filter—Fuel Inlet
61	7043568				Spring—Inlet Filter
62	7026138				Rod—Pump
63	7002121				Screw—Idle Stop
64	7003176				Spring—Idle Stop Screw
65	—	—	—	—	A.P.T. Rod Assembly
66	—	—	—	—	Aneroid Assembly
—	NONE	NONE	NONE	1997461	Solenoid & Bracket Assy. (See note)
—	NONE	NONE	NONE	7043682	Screw—Bracket Attaching (2)
	THROTTLE BODY PARTS				
67	7036079				Screw—Fast Idle Levers Attaching
68	7041498				Lever—Fast Idle
69	7029900				Spring—Fast Idle Screw
70	7044794				Screw—Fast Idle Adjusting
71	7041497				Lever—Cam Follower
72	KIT ONLY				Gasket—Throttle Body
73	7011479				Spring—Idle Needle
74	7048531				Idle Needle
75	7035790				Screw—Throttle Body
76	17051494				Spring—Cam Follower Lever
77	17054406	17051923	17051923	17051923	Throttle Body Assembly
78	372506				Insulator—Flange

Note: Solenoid Available Through Delco-Remy.



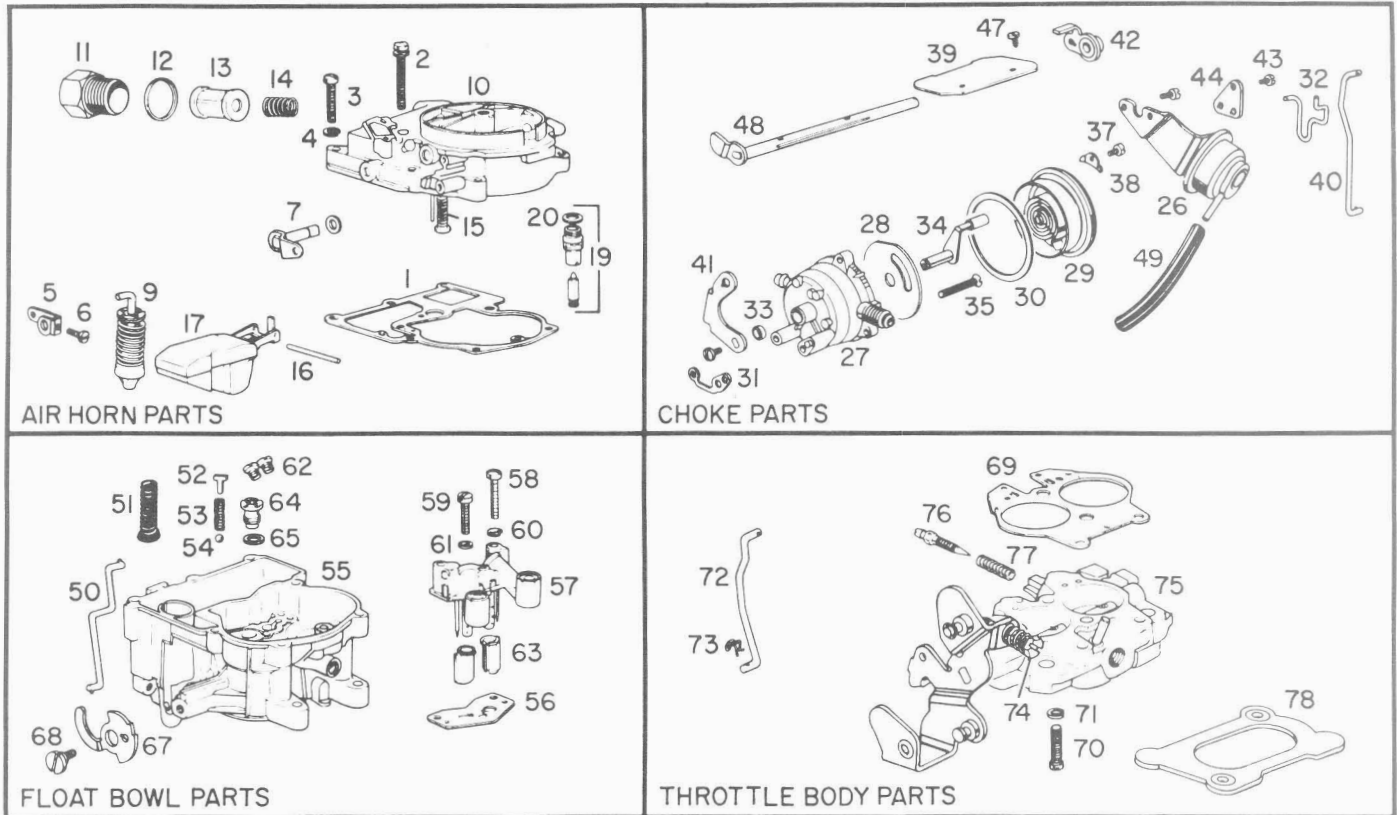


# Delco Carburetor

1977 CHEVROLET "A, ASP, B, HSP, X, F," BODY  
305 CUBIC INCH ENGINE

BULLETIN: 9C-3173  
DATE: SEPTEMBER 1979  
PAGE 1

A-Malibu; ASP-Monte Carlo; B-Impala, Caprice; F-Camaro; HSP-Monza; T-Chevette; X-Nova; Y-Corvette



PARTS SHOWN ARE FOR IDENTIFICATION ONLY. CONSULT PARTS LIST FOR CORRECT PART NAME AND NUMBER

**PARTS IN ALL COLUMNS SAME — EXCEPT WHERE INDICATED**

	FED.—A/T NON AIR COND.	FED.—A/T AIR COND.	FED.—A/T NON AIR COND.	FED.—A/T AIR COND.	APPLICATION
	17057374	17057375	17057376	17057377	<b>CARBURETOR No.</b>
	22-3185	22-3186	22-3249	22-3249	<b>REPLACEMENT PKG. No.</b>
	17055338	17055335	17055335	17055335	<b>OVERHAUL KIT</b>
	9327	9326	9326	9326	<b>POWER CARB. KIT</b>
	40-448	40-456	40-456	40-456	<b>GASKET SET</b>
Illus. No.	AIR HORN PARTS				
1	7045671	17050409	17050409	17050409	Gasket—Air Horn
2	7010432				Screw—Air Horn—Long
3	7006119				Screw—Air Horn—Short
4	—				Lockwasher—Air Horn
5	7032377				Pump Lever—Inside
6	7011270				Screw—Pump Lever
7	7044029				Pump Shaft & Lever Assy.
—	7019568				Washer—Pump Shaft
8	7005032				Clip—Pump
9	7036282				Pump Assembly
10	17065256				Air Horn Assembly
11	17051765	17053408	17053408	17053408	Filter Nut—Fuel Inlet
12	7032508				Gasket—Filter Nut
13	GF-470				Filter—Fuel Inlet
14	7032732	17051764	17051764	17051764	Spring—Fuel Inlet Filter
15	7009054				Power Piston Assembly
16	7002081				Pin—Float Hinge
17	7037512				Float Assembly
18	7044032				Elbow—Filter Nut
19	7035152				Needle & Seat Assy.
20	KIT ONLY				Gasket—Needle Seat
21	KIT ONLY				*Gasket—Air Cleaner

	17057374	17057375	17057376	17057377	CARBURETOR No.
Illus. No.	AIR HORN PARTS (Continued)				
22	—				Idle Vent Valve Kit
23	—				Screw—Idle Vent Valve
24	—				Idle Vent Valve
	CHOKE PARTS				
25	—				Vacuum Break Control Assy.
26	7044056				Vac. Break Con. & Brkt. Assy.
—	7037570				Screw—Control Attaching
27	17055540	17055540	17055541	17055541	Choke Housing
28	7037239				Baffle Plate
29	17052654				Stat Cover, Coil & Gasket Assy.
30	17050961				Gasket—Stat Cover
31	7043291				Gasket—Choke Housing
32	7040239				Link—Vacuum Break
33	7037569				Dust Seal—Inter. Choke Shaft
34	7043289				Intermediate Choke Shaft Assy.
35	7043292				Screw—Choke Housing
36					Cam Lever & Bushing Assy.
37	7011270				Screw—Stat Cover
38	7000614				Retainer—Stat Cover
39	7033443				Valve—Choke
40	17050270				Rod—Intermediate Choke
41	17050266				Lever—Intermediate Choke
42	17050766				Lever—Choke
43	7019709				Screw—Choke Levers
44	17050271				Lever—Choke Shaft
45					
46					
47	7007627				Screw—Choke Valve
48	7047797				Choke Shaft Assy.
49	7026339				Hose—Vacuum
50	7043370				Rod—Choke
	FLOAT BOWL PARTS				
51	7041141				Spring—Pump Return
—	7002120				Ball—Pump Inlet Check
—					Strainer—Pump Inlet
52	KIT ONLY				Guide—Pump Discharge
53	7002118				Spring—Pump Discharge
54	7002117				Ball—Pump Discharge
55	17055339				Float Bowl Assembly
56	KIT ONLY				Gasket—Venturi Cluster
57	17054520				Venturi Cluster Assy.
58	7045762				Screw—Venturi Cluster—Outer
59	7009077				Screw—Cluster—Center
60	—				Lockwasher—Outer Screws
61	KIT ONLY				Gasket—Center Screw
62	7002651				Jet—Standard (See Note)
63	7040320				Insert—Main Well
64	7011989				Power Valve Assembly
65	KIT ONLY				Gasket—Power Valve
66					
67	7045057	7045057	7044039	7044039	Cam—Fast Idle
68	7036222				Screw—Cam Attaching
—	NONE	1997409	NONE	7044300	Solenoid—Idle Stop
—	NONE	7042818	NONE	7042818	Bracket & Washer Assy.
—	NONE	7042654	NONE	7042654	Nut—Solenoid Retaining
—	NONE	7043682	NONE	7043682	Screw—Bracket Attaching
—	NONE	7042653	NONE	7042653	Washer—Tab Locking
	THROTTLE BODY PARTS				
69	KIT ONLY				Gasket—Throttle Body
70	7015105				Screw—Throttle Body
71	—				Lockwasher—Thrt. Body Screws
72	7041249				Rod—Pump
73	7018186				Clip—Pump Rod
74	7029427				Idle Stop Screw
—	7041519				Spring—Idle Stop Screw
75	17055336	17055336	17055333	17055333	Throttle Body Assembly
76	7048860				Idle Needle
77	7011479				Spring—Idle Needle
78	6271058				Insulator—Flange

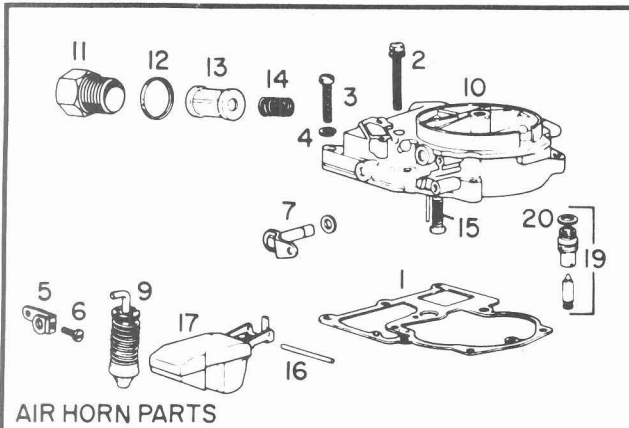


# Delco Carburetor

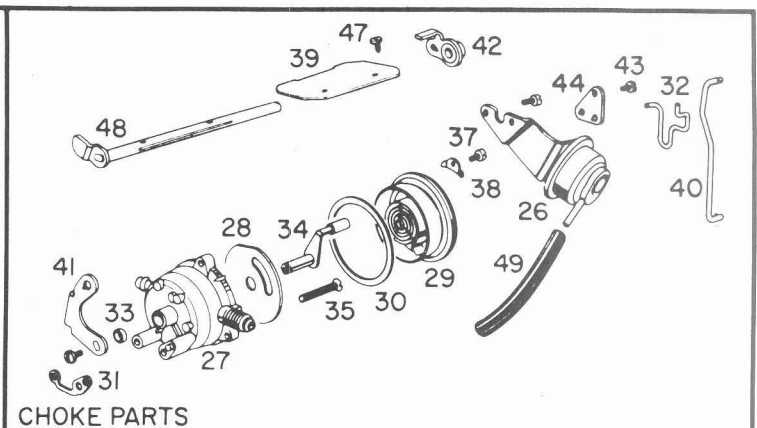
BULLETIN: 9C-3174  
DATE: SEPTEMBER 1979  
PAGE 1

## MODEL 2GC CARBURETORS 1977 CHEVROLET — "X" BODY 305 CUBIC INCH ENGINE

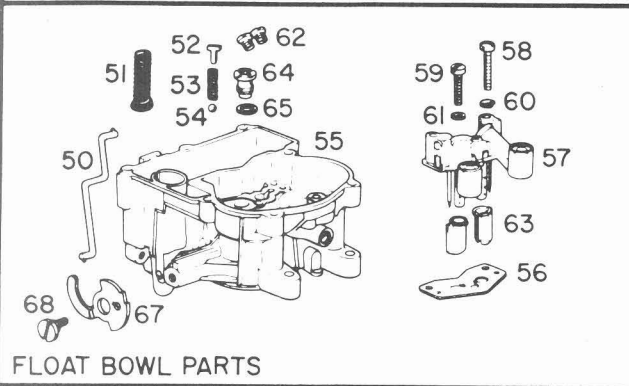
A-Malibu; ASP-Monte Carlo; B-Impala, Caprice; F-Camaro; HSP-Monza; T-Chevette; X-Nova; Y-Corvette



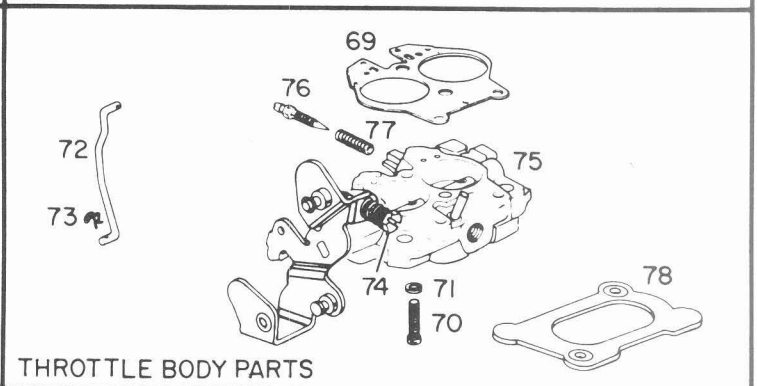
AIR HORN PARTS



CHOKE PARTS



FLOAT BOWL PARTS



THROTTLE BODY PARTS

PARTS SHOWN ARE FOR IDENTIFICATION ONLY. CONSULT PARTS LIST FOR CORRECT PART NAME AND NUMBER

### PARTS IN ALL COLUMNS SAME — EXCEPT WHERE INDICATED

Illus. No.	FED.—M/T NON AIR COND.	FED.—M/T AIR COND.	APPLICATION
		17057378	17057379
	22-3189	22-3249	REPLACEMENT PKG. No.
	17054001	17054001	OVERHAUL KIT
	9309	9309	POWER CARB. KIT
	40-448		GASKET SET
	AIR HORN PARTS		
1	7045671		Gasket—Air Horn
2	7010432		Screw—Air Horn—Long
3	7006119		Screw—Air Horn—Short
4	—		Lockwasher—Air Horn Screw
5	7032377		Pump Lever—Inside
6	7011270		Screw—Pump Lever
7	7044029		Pump Shaft & Lever Assy.
—	7019568		Washer—Pump Shaft
8	—		Clip—Pump
9	7036282	7036282	Pump Assembly
10	17065256	17065256	Air Horn Assembly
11	17051765		Filter Nut—Fuel Inlet
12	7032508		Gasket—Filter Nut
13	GF-470		Filter—Fuel Inlet
14	7032732		Spring—Fuel Inlet Filter
15	7009054	7009054	Power Piston Assembly
16	7002081		Pin—Float Hinge
17	7037512		Float Assembly
18	—		Elbow—Filter Nut
19	7035152	7035152	Needle & Seat Assy.
20	KIT ONLY		Gasket—Needle Seat
21	KIT ONLY		*Gasket Air Cleaner

	17057378	17057379	CARBURETOR No.
AIR HORN PARTS (Continued)			
22	—		Idle Vent Valve Kit
23	—		Screw—Idle Vent Valve
24	—		Idle Vent Valve
CHOKE PARTS			
25	—		Vacuum Break Control Assy.
26	7044056		Vac. Break Con. & Brkt. Assy.
—	7037570		Screw—Control Attaching
27	17055541	17055541	Choke Housing
28	7037239	7037239	Baffle Plate
29	17052654	17052654	Stat Cover, Coil & Gasket Assy.
30	17050961	17050961	Gasket—Stat Cover
31	7043291	7043291	Gasket—Choke Housing
32	7040239		Link—Vacuum Break
33	7037569	7037569	Dust Seal—Inter. Choke Shaft
34	7043289	7043289	Intermediate Choke Shaft Assy.
35	7043292	7043292	Screw—Choke Housing
36			Cam Lever & Bushing Assy.
37	7011270	7011270	Screw—Stat Cover
38	7000614	7000614	Retainer—Stat Cover
39	7033443		Choke Valve
40	17050270	17050270	Intermediate Choke Rod
41	17050266	17050266	Intermediate Choke Lever
42	17050766		Lever Choke
43	7019709		Screw—Choke Levers
44	17050271	17050271	Lever—Choke Shaft
45			
46			
47	7007627		Screw—Choke Valve
48	7047797		Choke Shaft Assy.
49	7026339	7026339	Hose—Vacuum
50	7043370		Choke Rod
FLOAT BOWL PARTS			
51	7041141		Spring—Pump Return
—	7002120	7002120	Ball—Pump Inlet Check
—	NONE	NONE	Jet—Main Metering
52	KIT ONLY		Guide—Pump Discharge
53	7002118		Spring—Pump Discharge
54	7002117		Ball—Pump Discharge
55	17055339	17055339	Float Bowl Assembly
56	KIT ONLY		Gasket—Venturi Cluster
57	17054520	17054520	Venturi Cluster Assy.
58	7045762		Screw—Venturi Cluster—Outer
59	7009077		Screw—Cluster—Center
60	—		Lockwasher—Outer Screws
61	KIT ONLY		Gasket—Center Screw
62	7002651	7002651	Jet—Standard (See Note)
63	7040320		Insert—Main Well
64	7011989	7011989	Power Valve Assembly
65	KIT ONLY		Gasket—Power Valve
—	NONE	7042653	Washer—Tab Locking
67	7044039		Cam—Fast Idle
68	7036222		Screw—Cam Attaching
—	NONE	1997409	Solenoid—Idle Stop
—	NONE	7042818	Bracket & Washer Assy.
—	NONE	7042654	Nut—Solenoid Retaining
—	NONE	7043682	Screw—Bracket Attaching
—	NONE	NONE	Throttle Stop Unit
THROTTLE BODY PARTS			
69	KIT ONLY		Gasket—Throttle Body
70	7015105		Screw—Throttle Body
71	—		Lockwasher—Thrt. Body Screws
72	7041249		Rod—Pump
73	7018186		Clip—Pump Rod
74	7029427		Idle Stop Screw
—	7041519		Spring—Idle Stop Screw
75	17055333	17055333	Throttle Body Assembly
76	7048860		Idle Needle
77	7011479		Spring—Idle Needle
78	6271058		Insulator—Flange