



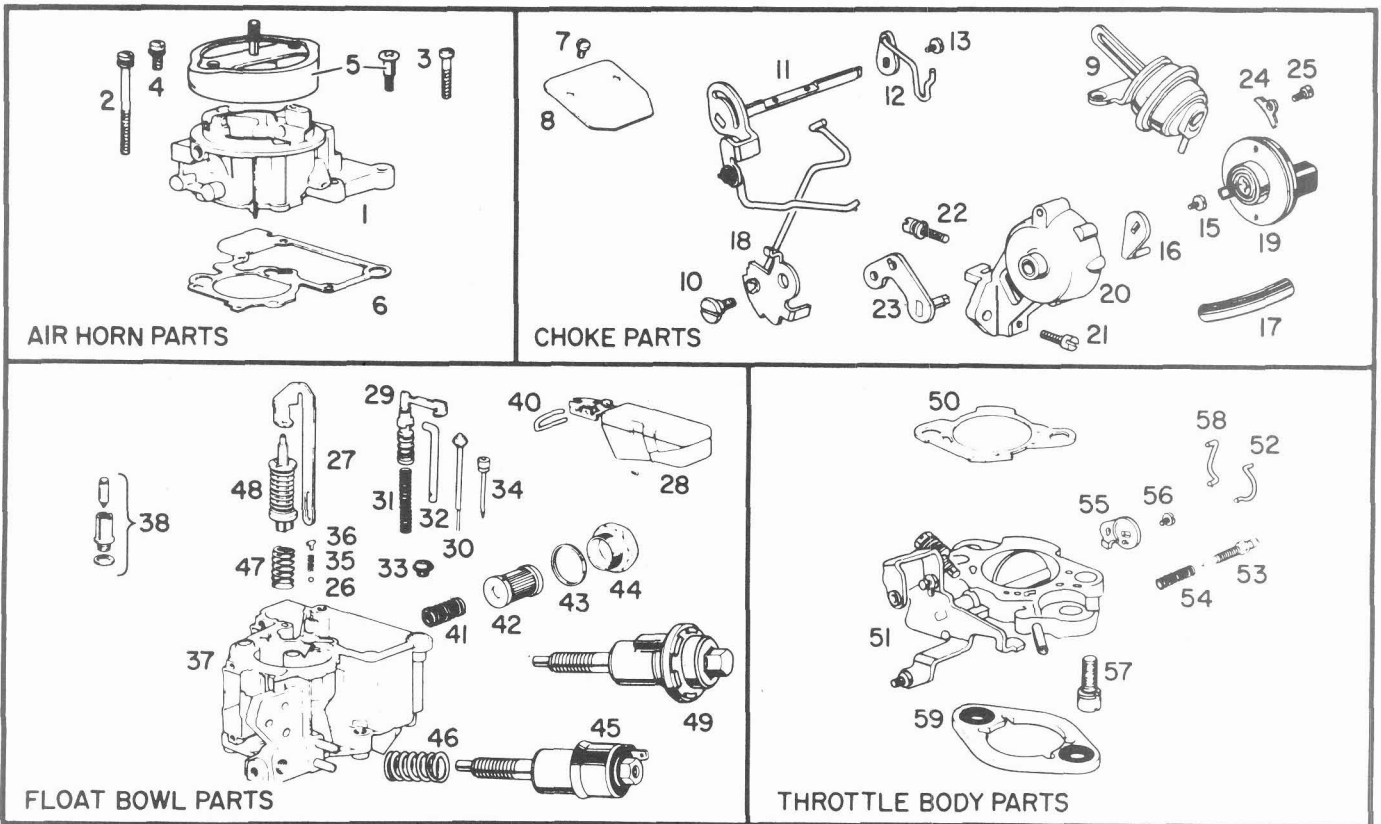
Delco Carburetor

MODEL 1ME MONOJET

BULLETIN: 9C-3116
 DATE: NOVEMBER 1977
 PAGE: 1

1978 CHEVROLET CHEVETTE
 97.6 CUBIC INCH "4"

PARTS SHOWN ARE FOR IDENTIFICATION ONLY. CONSULT PARTS LIST FOR CORRECT PART NAME AND NUMBER



PARTS IN ALL COLUMNS SAME — EXCEPT WHERE INDICATED

	FEDERAL AUTO. TRANS.	FEDERAL MAN. TRANS.	FED.-EARLY HIGH ENERGY AUTO. TRANS.	ALTITUDE AUTO. TRANS.	ALTITUDE MAN. TRANS.	APPLICATION
	17058034	17058035	17058038	17058044	17058045	CARB. No. (Non Air Cond.)
	17058032	17058035	17058036	17058042	17058045	CARB. No. (Air Cond.)
	21-3168	21-3167	21-3170	21-3172	21-3171	REPLACEMENT PKG. No.
	17055968	17055968	17055974	17055968	17055968	OVERHAUL KIT
	9357	9357	9358	9357	9357	POWER CARBURETOR KIT
	40-475	40-475	40-476	40-475	40-475	GASKET SET
Illus. No.	AIR HORN PARTS					
1	17060434	17060434	17050399	17060434	17060434	Air Horn Assembly
2	7043089					Screw—Air Horn (Long) (3)
3	7030917					Screw—Air Horn (Short) (2)
4	7043088					Screw—Air Horn (1)
5	17053835					Air Cleaner Adapter & Screw
6	7037591					Gasket—Air Horn
	CHOKE PARTS					
7	7020926					Screw—Choke Valve (2)
8	7049918					Choke Valve
9	7045561					Vac. Bk. Con. Assy. Bl. Side
10	7003561					Screw—Cam Attaching
11	7044437					Choke Sht. Lvr. & Lk. Assy.
12	7044447					Vac. Brk. Lever & Link Assy.
13	7019709					Screw—Vac. Brk. Lever Attch.
14	—					
15	7019709					Screw—Stat Lever Attaching
16	7044088					Lever—Stat Coil
17	7026339					Hose—Vacuum Break
18	17054834	17054834	17054834	17054834	7044485	Cam & Link Assy.

	17058034	17058035	17058038	17058044	17058045	CARB. No. (Non Air Cond.)
	17058032	17058035	17058036	17058042	17058045	CARB. No. (Air Con.)
CHOKE PARTS (Continued)						
Illus. No.						
19	17056750					Elect. Stat Cover & Coil Assy.
20	7044199					Choke Hous. & Bear. Assy.
21	17051625					Scr.—Choke Hous. to Bowl(1)
22	17051626					Scr.—Choke Hous. to Bowl(2)
23	17051637					Choke Coil Lever & Shaft Assy.
24	7000614					Retainer—Choke Cover (3)
25	7011270					Screw—Choke Cover (3)
FLOAT BOWL PARTS						
26	7002117					Ball—Pump Discharge
27	17056474	17056474	17056474	17055306	17055306	Lever—Pump Actuating
28	17051624					Float Assembly
29	17051619					Power Piston Assembly
30	17053550	17053550	17056700	17053550	17053550	Metering Rod & Sprg. Assy.
31	7044003					Spring—Power Piston
32	7044005					Rod—Power Piston
33	17053546	17053546	17053790	17053546	17053546	Jet—Main Metering
34	17053628	17053628	17053631	17053628	17053628	Idle Tube Assembly
35	7002118					Spring—Pump Discharge
36	7003838					Guide—Pump Discharge
37	17055569	17055569	17065130	17055569	17055569	Float Bowl Assembly
38	30-153					Needle & Seat Assembly
39	KIT ONLY					Gasket—Needle Seat
40	7034032					Hinge Pin—Float
41	7032732					Spring—Fuel Filter
42	GF-470					Filter—Fuel Inlet
43	7032508					Gasket—Filter Nut
44	7038946					Filter Nut—Fuel Inlet
45	7040219	7040219	7040219	7040219	NONE	Solenoid—Idle Stop
46	7040519					Spring—Solenoid Locking
47	7004597					Spring—Pump Return
48	7048801					Pump Assembly
49	NONE	NONE	NONE	NONE	7044594	Dashpot Assembly
THROTTLE BODY PARTS						
50	KIT ONLY					Gasket—Throttle Body
51	17060393	17060392	17060430	17060937	17060932	Throttle Body Assembly
52	7024214					Link—Power Rod
53	17056602					Idle Needle
54	7038989					Spring—Idle Needle
55	17051665					Lever—Pump & Power Rod
56	7010435					Screw—Lever Attaching
57	7043087					Screw—Throttle Body (2)
58	7035267					Link—Pump Lever
59	466347					Gasket—Flange



Delco Carburetor

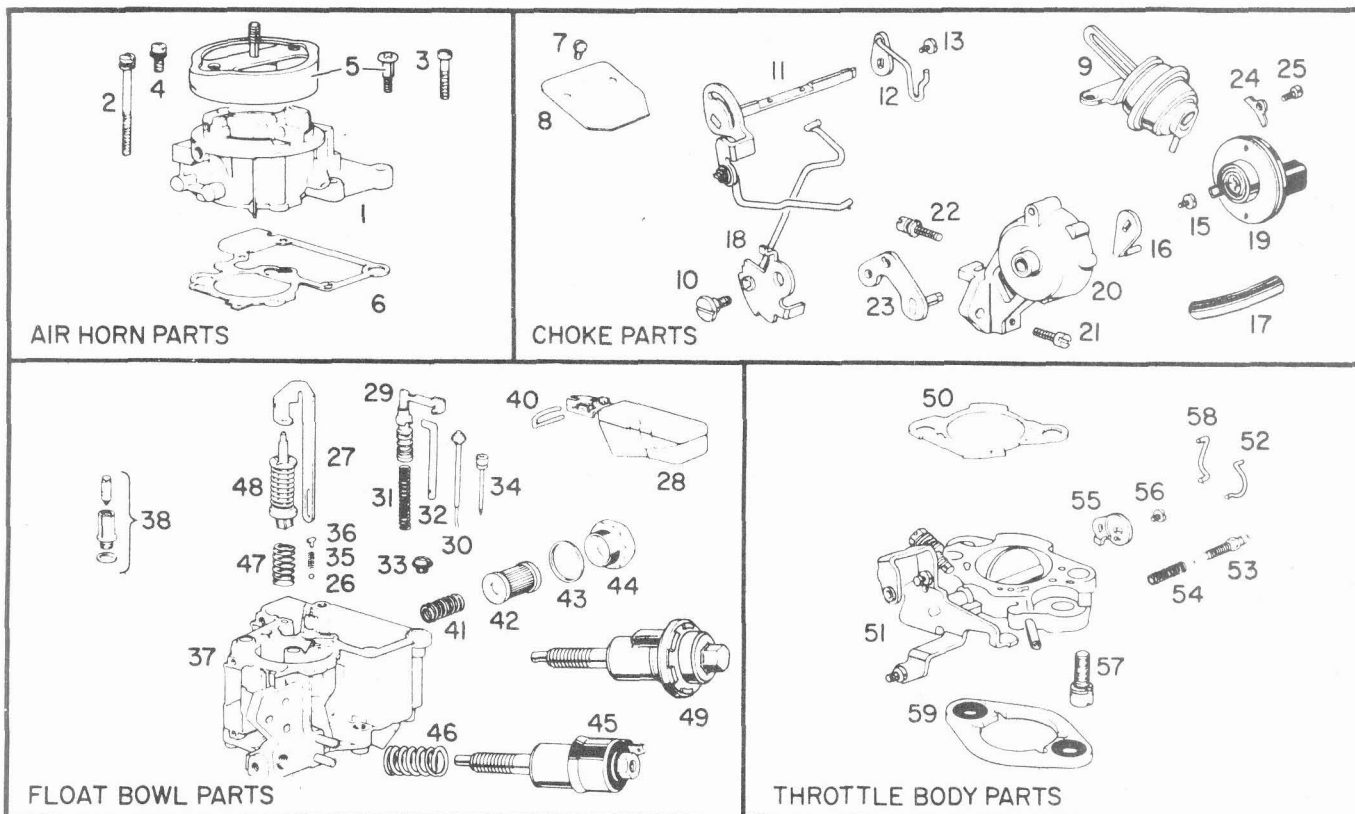
MODEL 1ME MONOJET

1978 CHEVROLET CHEVETTE

97.6 CUBIC INCH "4"

BULLETIN: 9C-3117
DATE: NOVEMBER 1977
PAGE: 1

PARTS SHOWN ARE FOR IDENTIFICATION ONLY. CONSULT PARTS LIST FOR CORRECT PART NAME AND NUMBER



PARTS IN ALL COLUMNS SAME — EXCEPT WHERE INDICATED

	CALIF. AUTO. TRANS.	CALIF. 4-SPEED MAN. TRANS.	FED. LATE HIGH ENERGY 4-SP. M/T	FED. LATE HIGH ENERGY AUTO. TRANS.	APPLICATION
	17058334	17058335	17058031	17058037	CARBURETOR No. (Non Air Cond.)
	17058332	17058335	17058031	17058033	CARBURETOR No. (Air Con.)
	21-3174	21-3173	21-3189	21-3188	REPLACEMENT PACKAGE No.
	17055968	17055968	17065184	17065184	OVERHAUL KIT
	9357	9357	9358	9358	POWER CARBURETOR KIT
	40-475	40-475	40-476	40-476	GASKET SET

Illus. No.	AIR HORN PARTS				
1	17060434	17060434	17061312	17061312	Air Horn Assembly
2	7043089				Screw—Air Horn (Long) (3)
3	7030917				Screw—Air Horn (Short) (2)
4	7043088				Screw—Air Horn (1)
5	17053835				Air-Cleaner Adapter & Screw
6	7037591				Gasket—Air Horn
	CHOKE PARTS				
7	7020926				Screw—Choke Valve (2)
8	7049918				Choke Valve
9	7045561				Vac. Brk. Control Assy. Bowl Side
10	7003561				Screw—Cam Attaching
11	7044437				Choke Shaft Lever & Link Assembly
12	7044447				Vac. Brk. Lever & Link Assy.
13	7019709				Screw—Vac. Brk. Lever Attaching
14					
15	7019709				Screw—Stat Lever Attaching
16	7044088				Lever—Stat Coil
17	7026339				Hose Vacuum Break
18	17054834	7044485	17054834	17054834	Cam & Link Assy.

	17058334	17058335	17058031	17058037	CARBURETOR No. (Non Air Cond.)
	17058332	17058335	17058031	17058033	CARBURETOR No. (Air Cond.)
CHOKE PARTS (Continued)					
Illus. No.					
19	17056750				Electric Stat Cover & Coil Assy.
20	7044199				Choke Housing & Bearing Assy.
21	17051625				Screw--Choke Housing to Bowl (1)
22	17051626				Screw--Choke Housing to Bowl (2)
23	17051637				Choke Coil Lever & Shaft Assy.
24	7000614				Retainer--Choke Cover(3)
25	7011270				Screw--Choke Cover (3)
FLOAT BOWL PARTS					
26	7002117				Ball--Pump Discharge
27	17056474				Lever--Pump Actuating
28	17051624				Float Assembly
29	17051619				Power Piston Assembly
30	17053551				Metering Rod & Spring Assembly
31	7044003				Spring--Power Piston
32	7044005				Rod--Power Piston
33	17053546	17053546	17053785	17053785	Jet--Main Metering
34	17053628	17053628	17053630	17053630	Idle Tube Assembly
35	7002118				Spring--Pump Discharge
36	7003838				Guide--Pump Discharge
37	17055570	17055570	17055970	17055970	Float Bowl Assembly
38	30 153				Needle & Seat Assembly
39	KIT ONLY				Gasket-- Needle Seat
40	7034032				Hinge Pin-- Float
41	7032732				Spring-- Fuel Filter
42	GF 470				Filter--Fuel Inlet
43	7032508				Gasket--Filter Nut
44	7038946				Filter Nut-- Fuel Inlet
45	7040219	NONE	7040219	7040219	Solenoid-- Idle Stop
46	7040519				Spring-- Solenoid Locking
47	7004597				Spring--Pump Return
48	7048801				Pump Assembly
49	NONE	7044594	NONE	NONE	Dash Pot Assembly
THROTTLE BODY PARTS					
50	KIT ONLY				Gasket--Throttle Body
51	17060397	17060457	17061315	17061319	Throttle Body Assembly
52	7024214				Link--Power Rod
53	17056602				Idle Needle
54	7038989				Spring--Idle Needle
55	17051665				Lever--Pump & Power Rod
56	7010435				Screw-- Lever Attaching
57	7043087				Screw--Throttle Body (2)
58	7035267				Link--Pump Lever
59	460187				Gasket--Flange



Delco Carburetor

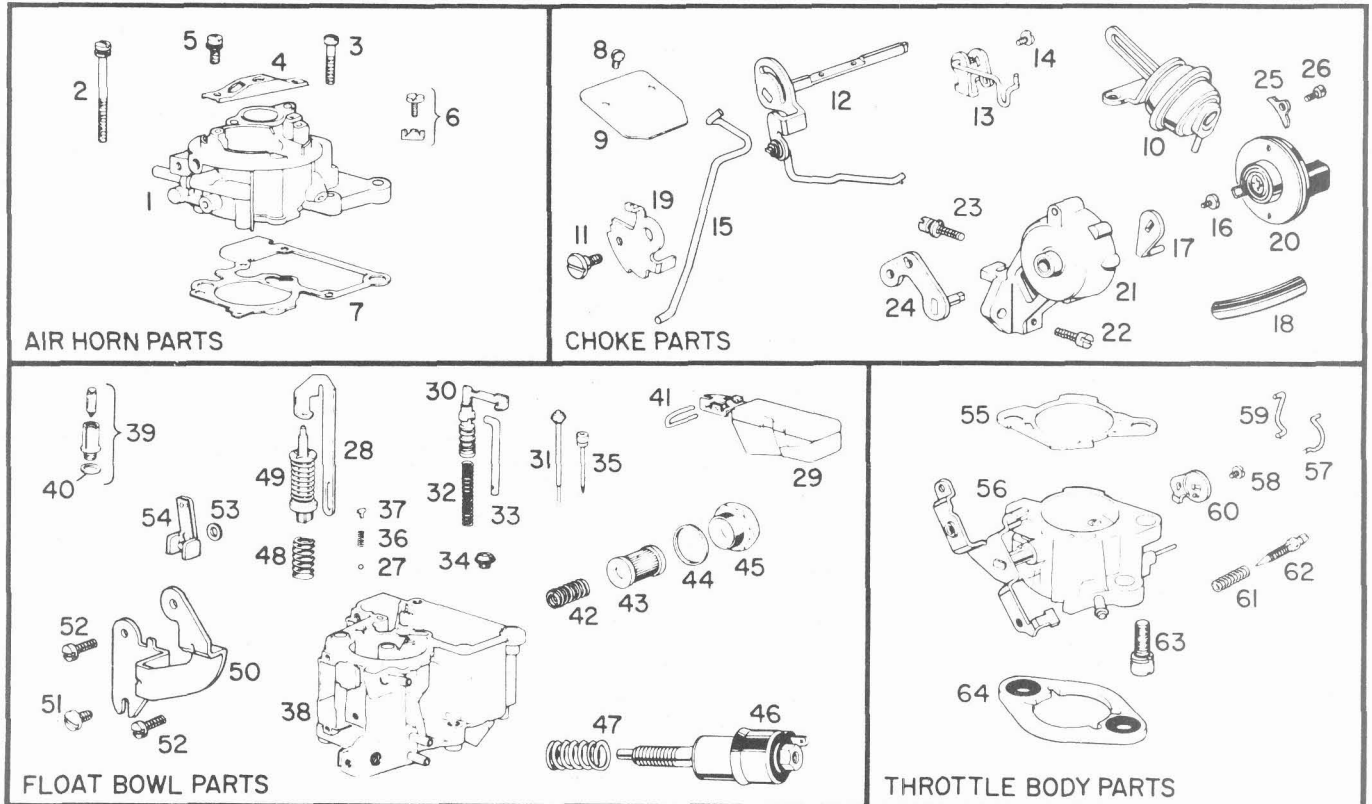
MODEL 1ME MONOJET

BULLETIN: 9C-3118
 DATE: NOVEMBER 1977
 PAGE: 1

1978 CHEVROLET, CAMARO & NOVA

250 CUBIC INCH ENGINE

PARTS SHOWN ARE FOR IDENTIFICATION ONLY. CONSULT PARTS LIST FOR CORRECT PART NAME AND NUMBER



PARTS IN ALL COLUMNS SAME — EXCEPT WHERE INDICATED

	CAMARO NOVA	B-SEDAN CAMARO NOVA	B-SEDAN CAMARO NOVA	B-SEDAN CAMARO NOVA	APPLICATION
	A/C NON A/C 3-SP. M/T FEDERAL	NON A/C AUTO. TRANS. FEDERAL	AIR. COND. AUTO. TRANS. FEDERAL	A/C NON A/C AUTO. TRANS. CALIF.	CARBURETOR No.
	17058013	17058014	17058020	17058314	REPLACEMENT PACKAGE No.
	21-3165	21-3162	21-3162	21-3164	OVERHAUL KIT
	17055954	17055956	17055956	17055960	POWER CARBURETOR KIT
	9347				GASKET SET
	40-470				
AIR HORN PARTS					
Illus. No.	17060458	17060458	17060458	17058850	Air Horn Assembly
1	7043088				Screw—Air Horn
—	7043089				Screw—Air Horn (Long)
2	7030917				Screw—Air Horn (Short)
3	7043588				Bracket—Air Cleaner Stud
4	7042813				Screw—Bracket Attaching
5	—				Idle Vent Valve Kit
6	17056453				Gasket—Air Horn
7					
CHOKE PARTS					
8	7020926				Screw—Choke Valve (2)
9	7049918				Choke Valve
10	7045064	7045064	7045064	17060446	Vac. Brk. Assy. Bowl Side
11	7003561				Screw—Cam Attaching
12	7044345				Choke Shaft Lever & Link Assembly
13	7044483				Vac. Brk. Lever & Link Assy.
14	7019709				Screw—Vac. Brk Lever Attaching
15	7044261				Link—Cam
16	7019709				Screw—Stat Lever Attaching
17	7044091				Lever—Stat Coil

	17058013	17058014	17058020	17058314	CARBURETOR No.
Illus. No.	CHOKE PARTS (Continued)				
18	7026339				Hose Vacuum Break
19	17056841				Cam—Fast Idle
20	17058954				Electric Stat Cover & Coil Assy.
21	7044199				Choke Housing & Bearing Assy.
22	17051625				Screw—Choke Housing to Bowl (1)
23	17051626				Screw—Choke Housing to Bowl (2)
24	7044236				Choke Coil Lever & Shaft Assy.
25	7000614				Retainer—Choke Cover (3)
26	7011270				Screw—Choke Cover (3)
	FLOAT BOWL PARTS				
27	7002117				Ball—Pump Discharge
28	17056474				Lever—Pump Actuating
29	7037022				Float Assembly
30	7036066	7036066	7036066	7035512	Power Piston Assembly
31	7037974	17057619	17057619	7040630	Metering Rod & Spring Assembly
32	7012515				Spring—Power Piston
33	17055196				Rod—Power Piston Kit
34	7034203	7034210	7034210	7034202	Jet—Main Metering
35	17052339	17052340	17052340	17052340	Idle Tube Assembly
36	7002118				Spring—Pump Discharge
37	7003838				Guide—Pump Discharge
38	17055572	17055573	17055573	17055958	Float Bowl Assembly
39	30-156				Needle & Seat Assembly
40	KIT ONLY				Gasket—Needle Seat
41	7034032				Hinge Pin—Float
42	7032732				Spring—Fuel Filter
43	GF-470				Filter—Fuel Inlet
44	7032508				Gasket—Filter Nut
45	7038946				Filter Nut—Fuel Inlet
46	7043575				Solenoid—Idle Stop
47	—				Spring—Solenoid Locking
48	7041176				Spring—Pump Return
49	7037595				Pump Assembly
50	7044344				Bracket Thr. Return
51	17050024				Screw—Throttle Bracket (1)
52	7041287				Screw—Throttle Bracket (2)
53	7027970				Gasket—Idle Compensator
54	17060388				Idle Compensator
	THROTTLE BODY PARTS				
55	KIT ONLY				Gasket—Throttle Body
56	17058871	17058872	17058872	17060483	Throttle Body Assembly
57	7035267				Link—Pump Lever
58	7010435				Screw—Lever Attaching
59	17055196				Link—Power Piston Rod Kit
60	17055196				Lever—Pump and Power Rods Kit
61	7038989				Spring—Idle Needle
62	7048964				Idle Needle
63	7043087				Screw—Throttle Body
64	333977				Insulator—Flange



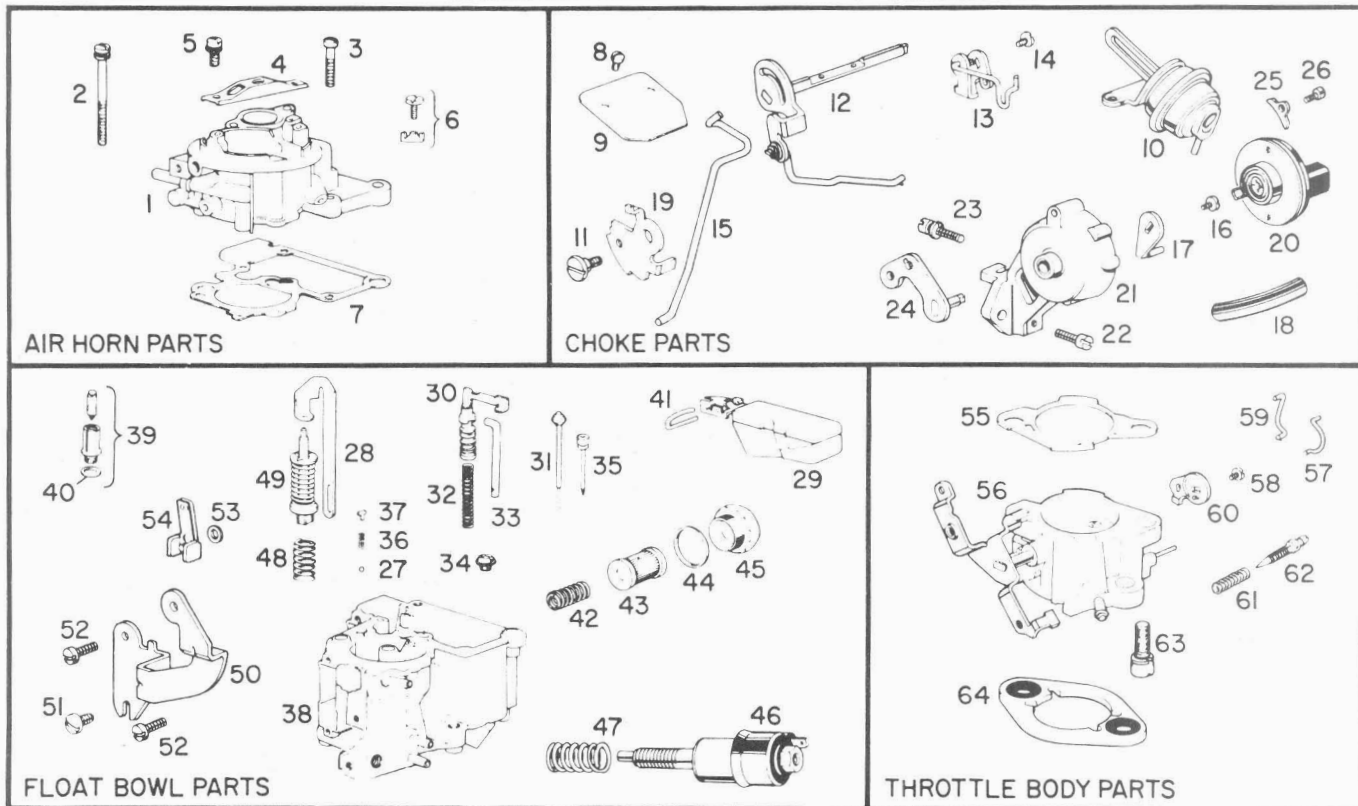
Delco Carburetor

MODEL 1ME MONOJET

BULLETIN: 9C-3119
 DATE: NOVEMBER 1977
 PAGE: 1

1978 CHEVROLET, CAMARO, NOVA
 (CANADA ONLY Z-94 OPTION)
 250 CUBIC INCH ENGINE

PARTS SHOWN ARE FOR IDENTIFICATION ONLY. CONSULT PARTS LIST FOR CORRECT PART NAME AND NUMBER



AIR HORN PARTS

CHOKE PARTS

FLOAT BOWL PARTS

THROTTLE BODY PARTS

PARTS IN ALL COLUMNS SAME — EXCEPT WHERE INDICATED

Illus. No.	B-SEDAN CAMARO NOVA	CAMARO NOVA	APPLICATION
	NON A/C CANADA ONLY	AIR COND. CANADA ONLY	
	17058026	17058028	CARBURETOR No.
	21-3166	21-3166	REPLACEMENT PACKAGE No.
	17055964		OVERHAUL KIT
	9347		POWER CARBURETOR KIT
	40-470		GASKET SET
AIR HORN PARTS			
1	17060458		Air Horn Assembly
—	7043088		
2	7043089		Screw—Air Horn (Long)
3	7030917		Screw—Air Horn (Short)
4	7043588		Bracket—Air Cleaner Stud
5	7042813		Screw—Bracket Attaching
6	—		Idle Vent Valve Kit
7	17056453		Gasket—Air Horn
CHOKE PARTS			
8	7020926		Screw—Choke Valve (2)
9	7049918		Choke Valve
10	17060446		Vac. Brk. Assy. Bowl Side
11	7003561		Screw—Cam Attaching
12	7044345		Choke Shaft Lever & Link Assembly
13	7044483		Vac. Brk. Lever & Link Assy.
14	7019709		Screw—Vac. Brk. Lever Attaching
15	7044261		Link—Cam
16	7019709		Screw—Stat Lever Attaching
17	7044091		Lever—Stat Coil

	17058026	17058028	CARBURETOR No.
	CHOKE PARTS (Continued)		
18	7026339		Hose Vacuum Break
19	17056872		Cam—Fast Idle
20	17058954		Electric Stat Cover & Coil Assy.
21	7044199		Choke Housing & Bearing Assy.
22	17051625		Screw—Choke Housing to Bowl (1)
23	17051626		Screw—Choke Housing to Bowl (2)
24	7044236		Choke Coil Lever & Shaft Assy.
25	7000614		Retainer—Choke Cover (3)
26	7011270		Screw—Choke Cover (3)
	FLOAT BOWL PARTS		
27	7002117		Ball—Pump Discharge
28	17056474		Lever—Pump Actuating
29	7037022		Float Assembly
30	7036066		Power Piston Assembly
31	7037979		Metering Rod & Spring Assembly
32	7012515		Spring—Power Piston
33	17055196		Rod—Power Piston Kit
34	7034216		Jet—Main Metering
35	17052340		Idle Tube Assembly
36	7002118		Spring—Pump Discharge
37	7003838		Guide—Pump Discharge
38	17055962		Float Bowl Assembly
39	30-156		Needle & Seat Assembly
40	KIT ONLY		Gasket—Needle Seat
41	7034032		Hinge Pin—Float
42	7032732		Spring—Fuel Filter
43	GF-470		Filter—Fuel Inlet
44	7032508		Gasket—Filter Nut
45	7038946		Filter Nut—Fuel Inlet
46	7043575		Solenoid—Idle Stop
47	—		Spring—Solenoid Locking
48	7041176		Spring—Pump Return
49	7037595		Pump Assembly
50	7044344		Bracket Thr. Return
51	17050024		Screw—Throttle Bracket (1)
52	7041287		Screw—Throttle Bracket (2)
53	7027970		Gasket—Idle Compensator
54	17060388		Idle Compensator
	THROTTLE BODY PARTS		
55	KIT ONLY		Gasket—Throttle Body
56	17060519		Throttle Body Assembly
57	7035267		Link—Pump Lever
58	7010435		Screw—Lever Attaching
59	17055196		Link—Power Piston Rod Kit
60	17055196		Lever—Pump and Power Rods Kit
61	7038989		Spring—Idle Needle
62	7048964		Idle Needle
63	7043087		Screw—Throttle Body
64	333977		Insulator—Flange



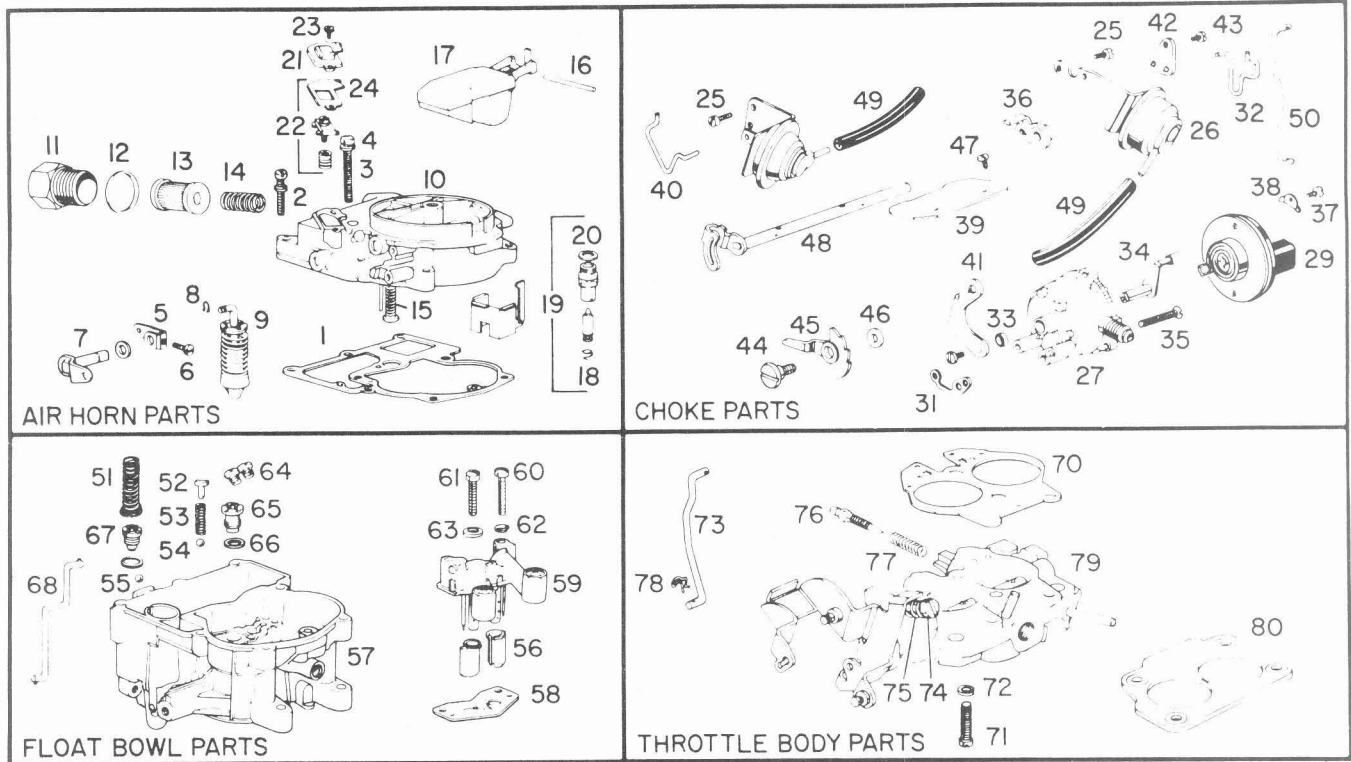
Delco Carburetor

MODEL 2GE CARBURETORS

BULLETIN: 9C-3120
 DATE: NOVEMBER 1977
 PAGE: 1

1978 CHEVROLET MONZA
 196-231 CUBIC INCH ENGINE V-6

PARTS SHOWN ARE FOR IDENTIFICATION ONLY. CONSULT PARTS LIST FOR CORRECT PART NAME AND NUMBER



PARTS IN ALL COLUMNS SAME — EXCEPT WHERE INDICATED

	196 CU. IN. A/C NON A/C 4-5-SP. M/T	196 CU. IN. A/C NON A/C AUTO. TRANS.	231 CU. IN. ALTITUDE A/C NON A/C 4-SP. M/T	231 CU. IN. ALTITUDE A/C NON A/C AUTO. TRANS.	APPLICATION
	17058143	17058144	17058141	17058147	CARBURETOR No.
	22-1207	22-1208	22-1217	22-1210	REPLACEMENT PACKAGE No.
	17055590	17065129	17055581	17055581	OVERHAUL KIT
	9336	9336	9338	9338	POWER CARB. KIT (NEO-tiP)
	40-462				GASKET SET

Illus. No.	AIR HORN PARTS				
1	17050409				Gasket—Air Horn
2	7010432				Screw—Air Horn—Long
3	7006119				Screw—Air Horn—Short
4	—				Lockwasher—Air Horn Screw
5	7032377				Pump Lever—Inside
6	7011270				Screw—Pump Lever
7	17053815	17052510	17053815	17053815	Pump Shaft & Lever Kit
—	7019568				Washer—Pump Shaft
8	—				Clip—Pump
9	17058976	17058976	17057911	17057911	Pump Assembly
10	17055562	17055562	17065105	17065105	Air Horn Assembly
11	17051765				Filter Nut—Fuel Inlet
12	7032508				Gasket—Filter Nut
13	GF-470				Filter—Fuel Inlet
14	7032732				Spring—Fuel Inlet Filter
15	7009054	7037811	7009718	7009718	Power Piston Assembly
16	7002081				Pin—Float Hinge
17	7037512				Float Assembly

	17058143	17058144	17058141	17058147	CARBURETOR No.
Illus. No.	AIR HORN PARTS (Continued)				
18	—				Pull Clip—Float Needle
19	30-152				Needle & Seat Assy. (Neo-tiP)
20	KIT ONLY				Gasket—Needle Seat
21	17050272				Cover—Idle Vent
22	17052733				Idle Vent Valve Kit
23	7015127				Screw—Idle Vent Valve Cover (2)
24	17053051				Gasket—Idle Vent
CHOKE PARTS					
25	7037570				Screw—Control Attaching
26	7043585				Vac. Brk. Cont. & Brket. Assy. Thr. Side
—	7049893				Aux. Vac. Brk. Cont. Assy. Choke Side
27	17054720				Choke Housing
28					Baffle Plate
29	17054594				Electric Stat Cover & Coil Assy.
30	—				Gasket—Stat Cover
31	7037796				Gasket—Choke Housing
32	7038874				Link—Vacuum Break
33	—				Dust Seal—Inter. Choke Shaft
34	7037227				Intermediate Choke Shaft Assy.
35	7013704				Screw—Choke Housing
36	7030796				Lever—Choke Shaft
37	7011270				Screw—Stat Cover
38	7000614				Retainer—Stat Cover
39	7033443				Choke Valve
40	7043157				Link—Aux. Vac. Break
41	7030990				Intermediate Choke Lever
42	7047882				Choke Lever
43	7019709				Screw—Choke Levers
44	7036222				Screw—Cam Attaching
45	17051250	17051250	17060838	17060838	Cam—Fast Idle
46	—				Washer—Cam
47	7007627				Screw—Choke Valve
48	17050404				Choke Shaft
49	7026339				Hose—Vacuum
50	7043278				Choke Rod Intermediate
FLOAT BOWL PARTS					
51	17050241				Spring—Pump Return
52	7000286				Guide—Pump Discharge
53	7002118				Spring—Pump Discharge
54	7002117				Ball—Pump Discharge
55	17050240				Ball—Pump Inlet Check
56	7037286				Insert—Main Well
57	17055594	17055588	17055596	17055596	Float Bowl Assembly
58	KIT ONLY				Gasket—Venturi Cluster
59	17060812	17061040	17060949	17060949	Venturi Cluster Assembly
60	7045762				Screw—Cluster—Outer
61	7009077				Screw—Cluster—Center
62	—				Lockwasher—Outer Screw
63	KIT ONLY				Gasket—Center Screw
64	7002647	7002647	7002651	7002651	Jet—Standard
65	17060432	17060432	17053646	17053646	Power Valve Assembly
66	KIT ONLY				Gasket—Power Valve
67	17051201	17050246	17050246	17050246	Aux. Power Valve
68	7043001				Aux. Choke Rod
69	17052388	NONE	17052388	17052388	Solenoid—Idle Stop
—	7043682	NONE	7043682	7043682	Screw—Solenoid Bracket
—	7042654	NONE	7042654	7042653	Nut—Solenoid Retaining
—	7042653	NONE	7042653	7042653	Washer—Tab Locking
—	17061045	NONE	17061045	17061045	Bracket & Washer Assy. Solenoid
THROTTLE BODY PARTS					
70	KIT ONLY				Gasket—Throttle Body
71	7015105				Screw—Throttle Body
72	—				Lockwasher—Throttle Body
73	7038799				Pump Rod
74	7029427				Idle Speed Screw
75	7029428				Spring—Idle Speed Screw
76	17057983				Idle Needle
77	7011479				Spring—Idle Needle
78	7018186				Clip—Pump Rod
79	17055595	17055589	17065049	17055674	Throttle Body Assembly
80	1257135				Flange Gasket

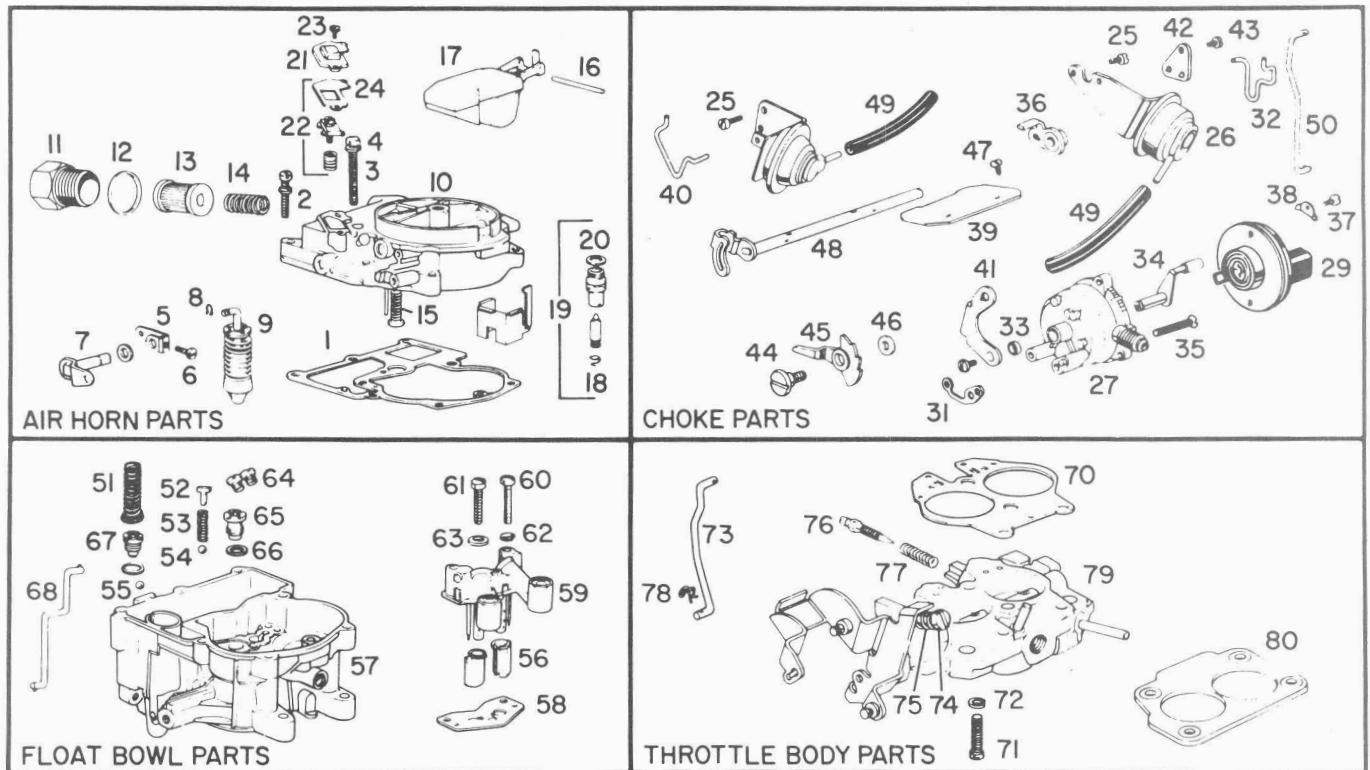


Delco Carburetor

MODEL 2GE CARBURETORS
1978 CHEVELLE, MONTE CARLO, MONZA
EL CAMINO & CABALLERO
231 CUBIC INCH ENGINE V-6

BULLETIN 9C-3121
DATE: July, 1978
PAGE 1
Replaces 9C-3121
Dated November 1977

PARTS SHOWN ARE FOR IDENTIFICATION ONLY. CONSULT PARTS LIST FOR CORRECT PART NAME AND NUMBER



PARTS IN ALL COLUMNS SAME — EXCEPT WHERE INDICATED

	FEDERAL MONTE CARLO A/C NON A/C 4-SP. M/T	EARLY FEDERAL MONTE CARLO & CANADA- Z-94-OPTION AUTO TRANS	CALIF. MONZA A/C NON A/C 4-5-SP. M/T	CALIF. CHEVELLE MONTE CARLO MONZA EL CAMINO & CABALLERO AUTO TRANS	LATE FEDERAL MONTE CARLO CANADA Z-94-OPTION MONTE CARLO AUTO TRANS	APPLICATION
	17058145	17058182	17058447	17058448	17058185	CARBURETOR No.
	22-1205	22-1222	22-1209	22-1215	22-1222	REPLACEMENT PACKAGE No.
	17065106	17055565	17055677	17055603	17065193	OVERHAUL KIT
	9338	9336	9338	9338	9336	POWER CARB. KIT (NEO-tiP)
	40-462					GASKET SET

Illus. No.	AIR HORN PARTS					
1	17050409					Gasket—Air Horn
2	7010432					Screw—Air Horn—Long
3	7006119					Screw—Air Horn—Short
4	—					Lockwasher—Air Horn Screw
5	7032377					Pump Lever—Inside
6	7011270					Screw—Pump Lever
7	17053815	17052510	17053815	17052510	17052510	Pump Shaft & Lever Kit
—	7019568					Washer—Pump Shaft
8	—					Clip—Pump
9	17057911	17058976	17057911	17057911	17058976	Pump Assembly
10	17055562	17055562	17065263	17065263	17055562	Air Horn Assembly
11	17051765					Filter—Nut—Fuel Inlet
12	7032508					Gasket—Filter Nut
13	GF-470					Filter—Fuel Inlet
14	7032732					Spring—Fuel Inlet Filter
15	7009054	7009054	7035603	7006323	7009054	Power Piston Assembly
16	7002081					Pin—Float Hinge
17	7037512					Float Assembly
18	—					Pull Clip—Float Needle
19	30-152					Needle & Seat Assy. (Neo-tiP)
20	KIT ONLY					Gasket—Needle Seat

	17058145	17058182	17058447	17058448	17058185	CARBURETOR No.
AIR HORN PARTS (Continued)						
Illus. No.						
21	17050272					Cover—Idle Vent
22	17052733					Idle Vent Valve Kit
23	7015127					Screw—Idle Vent Valve Cover (2)
24	17053051					Gasket—Idle Vent
CHOKE PARTS						
25	7037570					Screw—Control Attaching
26	7043585					Vac. Brk. Cont. & Brkt. Assy. Thr. Side
—	7049893					Aux. Vac. Brk. Cont. Assy. Choke Side
27	17054720					Choke Housing
28						Baffle Plate
29	17060913	17058794	17054594	17054594	17058794	Electric Stat Cover & Coil Assy.
30	—					Gasket—Stat Cover
31	7037796					Gasket—Choke Housing
32	7038874					Link—Vacuum Break
33	7037569					Dust Seal—Inter. Choke Shaft
34	7037227					Intermediate Choke Shaft Assy.
35	7013704					Screw—Choke Housing
36	7030796					Lever—Choke Shaft
37	7011270					Screw—Stat Cover
38	7000614					Retainer—Stat Cover
39	7033443					Choke Valve
40	7043157					Link—Aux. Vac. Break
41	7030990					Intermediate Choke Lever
42	7047882					Choke Lever
43	7019709					Screw—Choke Levers
44	7036222					Screw—Cam Attaching
45	17051250	17051250	17060838	17060838	17051489	Cam—Fast Idle
46	—					Washer—Cam
47	7007627					Screw—Choke Valve
48	17050404					Choke Shaft
49	7026339					Hose—Vacuum
50	7043278					Choke Rod Intermediate
FLOAT BOWL PARTS						
51	17050241					Spring—Pump Return
52	NLA					Guide—Pump Discharge
53	7002118					Spring—Pump Discharge
54	7002117					Ball—Pump Discharge
55	17050240					Ball—Pump Inlet Check
56	7037286					Insert—Main Well
57	17065037	17055583	17065051	17055602	17065190	Float Bowl Assembly
58	KIT ONLY					Gasket—Venturi Cluster
59	17060943	17060310	17060670	17060503	17062241	Venturi Cluster Assembly
60	7045762					Screw—Cluster—Outer
61	7009077					Screw—Cluster—Center
62	—					Lockwasher—Outer Screw
63	KIT ONLY					Gasket—Center Screw
64	7002648	7002651	7002652	7002655	7002649	Jet—Standard
65	17059870	17059870	17053647	17056683	17053647	Power Valve Assembly
66	KIT ONLY					Gasket—Power Valve
67	17050246	17050246	17050246	17051201	17050246	Aux. Power Valve
68	7043001					Aux. Choke Rod
69	17052388	NONE	17052388	NONE	NONE	Solenoid—Idle Stop
—	7043682	NONE	7043682	NONE	NONE	Screw—Solenoid Bracket
—	7042654	NONE	7042654	NONE	NONE	Nut—Solenoid Retaining
—	7042653	NONE	7042653	NONE	NONE	Washer—Tab Locking
—	17061045	NONE	17061045	NONE	NONE	Bracket & Washer Assy. Solenoid
THROTTLE BODY PARTS						
70	KIT ONLY					Gasket—Throttle Body
71	7015105					Screw—Throttle Body
72	—					Lockwasher—Throttle Body
73	7038799					Pump Rod
74	7029427					Idle Speed Screw
75	7029428					Spring—Idle Speed Screw
76	17057983					Idle Needle
77	7011479					Spring—Idle Needle
78	7018186					Clip—Pump Rod
79	17055585	17055597	17055674	17055599	17065196	Throttle Body Assembly
80	1257135					Flange Gasket



Delco Carburetor

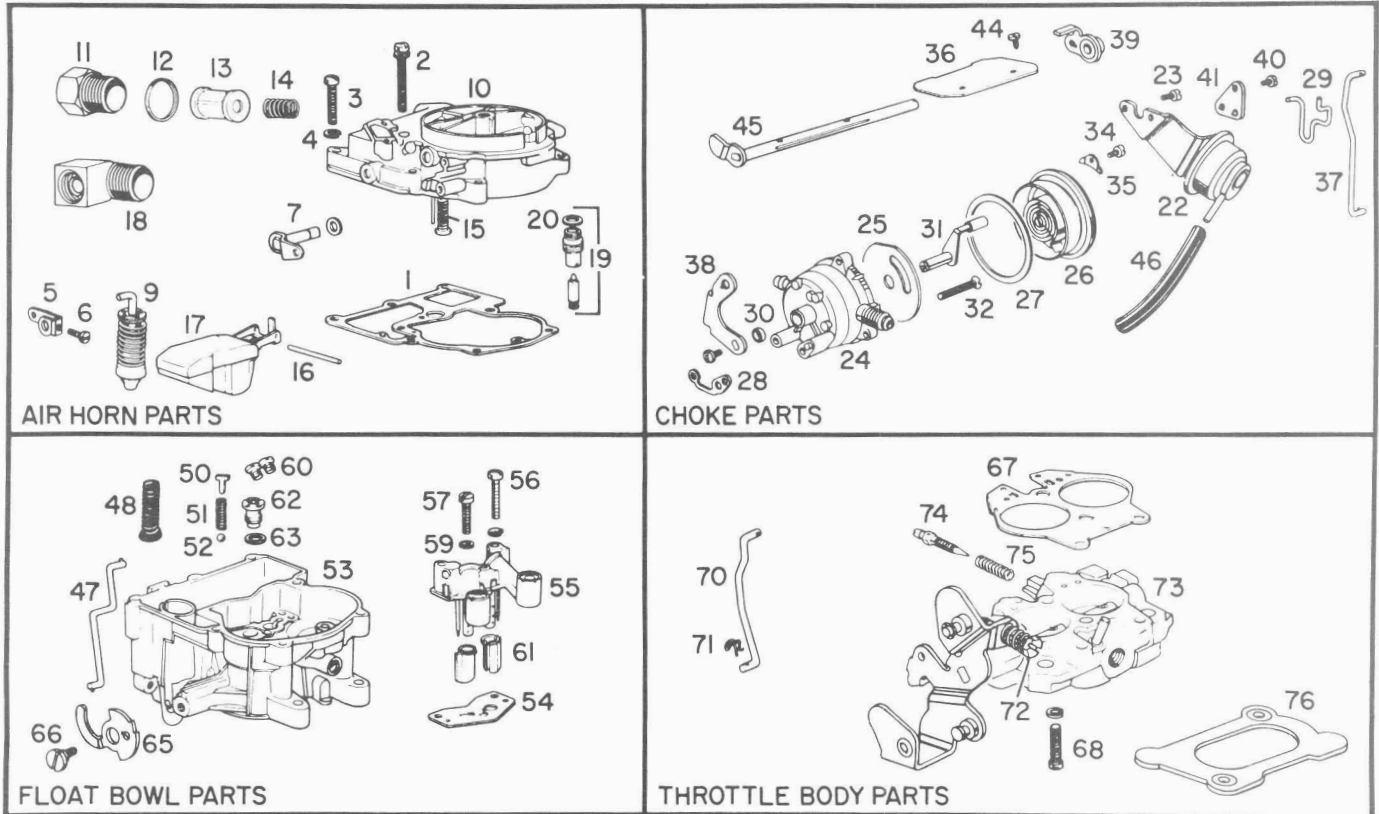
MODEL 2GC CARBURETORS

1978 CHEVROLET, CHEVELLE, MONTE CARLO, CAMARO. (CANADA ONLY Z-94-OPTION)

305 CUBIC INCH ENGINE

BULLETIN 9C-3122
DATE: July, 1978
PAGE 1
Replaces 9C-3122
Dated November 1977

PARTS SHOWN ARE FOR IDENTIFICATION ONLY. CONSULT PARTS LIST FOR CORRECT PART NAME AND NUMBER



PARTS IN ALL COLUMNS SAME — EXCEPT WHERE INDICATED

	A-SEDAN MONTE CARLO B-SED. & WAG. AIR COND. AUTO. TRANS.	A-SEDAN MONTE CARLO B-SED. & WAG. NON A/C AUTO. TRANS.	CAMARO AIR COND. AUTO. TRANS.	CAMARO NON A/C AUTO. TRANS.	APPLICATION
	17058100	17058101	17058106	17058115	CARBURETOR No.
	22-3154	22-3154	22-3156	22-3156	REPLACEMENT PKG. No.
	17055338				OVERHAUL KIT
	9327				POWER CARBURETOR KIT
	40-448				

Illus. No.	AIR HORN PARTS				
1	7045671				Gasket—Air Horn
2	7010432				Screw—Air Horn—Long
3	7006119				Screw—Air Horn—Short
4	—				Lockwasher—Air Horn Screw
5	7032377				Pump Lever—Inside
6	7011270				Screw—Pump Lever
7	7044029				Pump Shaft & Lever Assembly
—	7019568				Washer—Pump Shaft
8	—				Clip—Pump
9	7036282				Pump Assembly
10	17055915	17055915	17055925	17055925	Air Horn Assembly
11	17051765	17051765	17053408	17053408	Filter Nut—Fuel Inlet
12	7032508				Gasket—Filter Nut
13	GF-470				Filter—Fuel Inlet
14	7032732				Spring—Fuel Inlet Filter
15	7009054				Power Piston Assembly
16	7002081				Pin—Float Hinge
17	7037512				Float Assembly
18	—	—	7044035	7044035	Elbow—Filter Nut

	17058100	17058101	17058106	17068115	CARBURETOR No.
Illus. No.	AIR HORN PARTS (Continued)				
19	30-152				Needle & Seat Assembly
20	KIT ONLY				Gasket—Needle Seat
—	—				
CHOKE PARTS					
21	—				Vac. Brk. Control Assembly
22	7044056				Vac. Brk. Cont. & Brkt. Assy. Choke Side
23	7037570				Screw—Control Attaching
24	17055540				Choke Housing
25	7037239				Baffle Plate
26	17052654				Stat Cover, Coil & Gasket Assy.
27	17050961				Gasket—Stat Cover
28	7043291				Gasket—Choke Housing
29	7040239				Link—Vacuum Break
30	7037569				Dust Seal—Inter. Choke Shaft
31	7043289				Intermediate Choke Shaft Assy.
32	7043292				Screw—Choke Housing
33	—				Cam Lever & Bushing Assembly
34	7011270				Screw—Stat Cover
35	7000614				Retainer—Stat Cover
36	7033443				Choke Valve
37	17050270				Intermediate Choke Rod
38	17050266				Intermediate Choke Lever
39	17050766				Lever Choke
40	7019709				Screw—Choke Levers
41	17050271				Lever—Choke Shaft
42	—				
43	—				
44	7007627				Screw—Choke Valve
45	7047797				Choke Shaft Assy.
46	7026339				Hose—Vacuum
47	7043370				Choke Link
FLOAT BOWL PARTS					
48	7041141				Spring—Pump Return
49	7002120				Ball—Pump Inlet Check
—	—				Strainer—Pump Inlet
50	NLA				Guide—Pump Discharge
51	7002118				Spring—Pump Discharge
52	7002117				Ball—Pump Discharge
53	17055339				Float Bowl Assembly
54	KIT ONLY				Gasket—Venturi Cluster
55	17061531				Venturi Cluster Assembly
56	7045762				Screw—Venturi Cluster—Outer
57	7009077				Screw—Cluster—Center
58	—				Lockwasher—Outer Screws
59	KIT ONLY				Gasket—Center Screw
60	7002652	7002652	7002651	7002651	Jet—Standard (See Note)
61	7040320				Insert—Main Well
62	7011989				Power Valve Assembly
63	KIT ONLY				Gasket—Power Valve
64					
65	7044039				Cam—Fast Idle
66	7036222				Screw—Cam Attaching
—	1997464	NONE	1997464	NONE	Solenoid—Idle Stop (See Note)
—	7042818	NONE	7042818	NONE	Bracket & Washer Assy.
—	7042654	NONE	7042654	NONE	Nut—Solenoid Retaining
—	7043682	NONE	7043682	NONE	Screw—Bracket Attaching
THROTTLE BODY PARTS					
67	KIT ONLY				Gasket—Throttle Body
68	7015105				Screw—Throttle Body
69	—				Lockwasher—Throttle Body Screws
70	7041249				Pump Rod
71	7018186				Clip—Pump Rod
72	7029427				Idle Stop Screw
—	7041519				Spring—Idle Stop Screw
73	17055917				Throttle Body Assembly
74	7048860				Idle Needle
75	7011479				Spring—Idle Needle
76	6271058				Insulator—Flange

Note: Solenoid Available Through Delco-Remy



Delco Carburetor

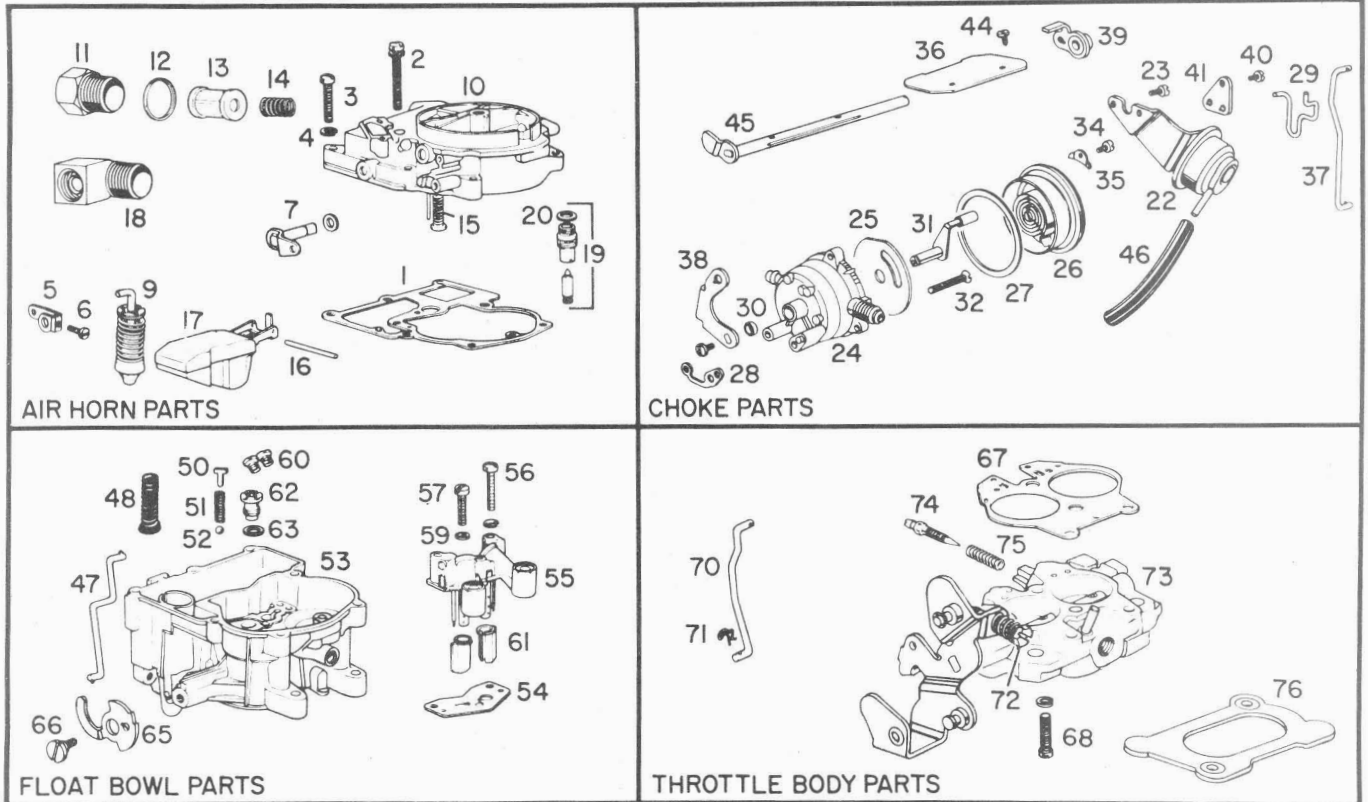
MODEL 2GC CARBURETORS

BULLETIN: 9C-3123
 DATE: NOVEMBER 1977
 PAGE: 1

1978 CHEVROLET MONZA

305 CUBIC INCH ENGINE

PARTS SHOWN ARE FOR IDENTIFICATION ONLY. CONSULT PARTS LIST FOR CORRECT PART NAME AND NUMBER



PARTS IN ALL COLUMNS SAME — EXCEPT WHERE INDICATED

ALTITUDE NON A/C AUTO. TRANS.	ALTITUDE AIR COND. AUTO. TRANS.	FEDERAL NON A/C AUTO. TRANS.	FEDERAL AIR COND. AUTO. TRANS.	CALIF. NON A/C AUTO. TRANS.	CALIF. AIR COND. AUTO. TRANS.	APPLICATION
17058102	17058103	17058104	17058105	17058404	17058405	CARBURETOR No.
22-3149	22-3149	22-3151	22-3151	22-3164	22-3164	REPLACEMENT PKG. No.
17055337	17055337	17055335	17055335	17055235	17055235	OVERHAUL KIT
9325	9325	9326	9326	9321	9321	POWER CARB. KIT
40-456						GASKET SET

Illus. No.	AIR HORN PARTS						
1	17050409						Gasket—Air Horn
2	7010432						Screw—Air Horn—Long
3	7006119						Screw—Air Horn—Short
4	—						Lockwasher—Air Horn Screw
5	7032377						Pump Lever—Inside
6	7011270						Screw—Pump Lever
7	17050230	17050230	7044029	7044029	7044029	7044029	Pump Shaft & Lever Assy.
—	7019568						Washer—Pump Shaft
8	—						Clip—Pump
9	7046028	7046028	7036282	7036282	7036282	7036282	Pump Assembly
10	17055925	17055925	17055925	17055925	17055938	17055938	Air Horn Assembly
11	17053408						Filter Nut—Fuel Inlet
12	7032508						Gasket—Filter Nut
13	GF-470						Filter—Fuel Inlet
14	17051764						Spring—Fuel Inlet Filter
15	7009054	7009054	7009054	7009054	7006323	7006323	Power Piston Assembly
16	7002081						Pin—Float Hinge
17	7037512						Float Assembly
18	7044032						Elbow—Filter Nut

	17058102	17058103	17058104	17058105	17058404	17058405	CARBURETOR No.
AIR HORN PARTS (Continued)							
Illus. No.							
19	30-152	30-152	30-152	30-152	30-155	30-155	Needle & Seat Assembly
20	KIT ONLY						Gasket-Needle Seat
CHOKE PARTS							
21							Vac. Brk. Control Assy.
22	7044056						Vac. Brk. Con. & Brkt. Assy.
23	7037570						Screw-Control Attaching
24	17055929	17055929	17055540	17055540	17055540	17055540	Choke Housing
25	7037239						Baffle Plate
26	17052654						Stat Cover, Coil & Gsk. Assy.
27	17050961						Gasket-Stat Cover
28	7043291						Gasket-Choke Housing
29	7040239						Link-Vacuum Break
30	7037569						Dust Seal-Inter. Choke Shaft
31	7043289						Inter. Choke Shaft Assy.
32	7043292						Screw-Choke Housing
33							Cam Lever & Bushing Assy.
34	7011270						Screw-Stat Cover
35	7000614						Retainer-Stat Cover
36	7033443						Choke Valve
37	17050270						Intermediate Choke Rod
38	17050266						Intermediate Choke Lever
39	17050766						Lever Choke
40	7019709						Screw-Choke Levers
41	17050271						Lever-Choke Shaft
42							
43							
44	7007627						Screw-Choke Valve
45	7047797						Choke Shaft Assy.
46	7026339						Hose-Vacuum
47	7043370						Choke Link
FLOAT BOWL PARTS							
48	7041141						Spring-Pump Return
49	7002120						Ball-Pump Inlet Check
							Strainer-Pump Inlet
50	7000286						Guide-Pump Discharge
51	7002118						Spring-Pump Discharge
52	7002117						Ball-Pump Discharge
53	17055928	17055928	17055931	17055931	17065052	17065052	Float Bowl Assembly
54	KIT ONLY						Gasket-Venturi Cluster
55	17054520	17054520	17054520	17054520	17061096	17061096	Venturi Cluster Assembly
56	7045762						Screw-Venturi Cluster-Out.
57	7009077						Screw-Cluster-Center
58							Lockwasher-Outer Screws
59	KIT ONLY						Gasket-Center Screw
60	7002652	7002652	7002652	7002652	7002653	7002653	Jet-Standard (See Note)
61	7040320						Insert-Main Well
62	7011989						Power Valve Assembly
63	KIT ONLY						Gasket-Power Valve
64							
65	7044039	7044039	7044039	7044039	7045057	7045057	Cam-Fast Idle
66	7036222						Screw-Cam Attaching
		7044300		7044300		7044300	Solenoid-Idle Stop
		7042818		7042818		7042818	Bracket & Washer Assy.
		7042654		7042654		7042654	Nut-Solenoid Retaining
		7043682		7043682		7043682	Screw-Bracket Attaching
		7042653		7042653		7042653	Washer-Tab Locking
THROTTLE BODY PARTS							
67	KIT ONLY						Gasket-Throttle Body
68	7015105						Screw-Throttle Body
69							Lockwasher-Thr. Body Scr.
70	17050277	17050277	7041249	7041249	7041249	7041249	Pump Rod
71	7018186						Clip-Pump Rod
72	7029427						Idle Stop Screw
	7041519						Spring-Idle Stop Screw
73	17055926	17055926	17055926	17055926	17055940	17055940	Throttle Body Assembly
74	7048860						Idle Needle
75	7011479						Spring-Idle Needle
76	6271058						Insulator-Flange



Delco Carburetor

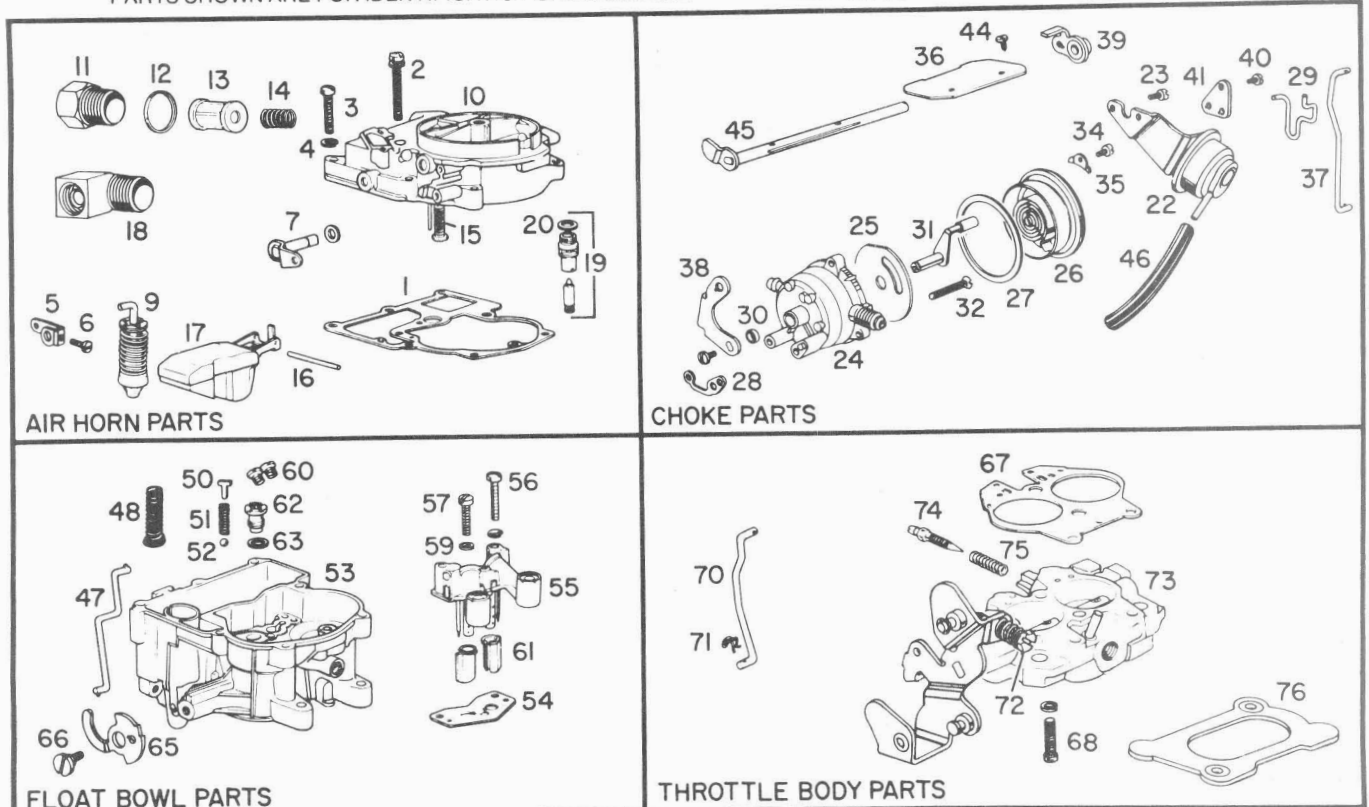
MODEL 2GC CARBURETORS

BULLETIN: 9C-3124
 DATE: NOVEMBER 1977
 PAGE: 1

1978 CHEVROLET CAMARO

305 CUBIC INCH ENGINE

PARTS SHOWN ARE FOR IDENTIFICATION ONLY. CONSULT PARTS LIST FOR CORRECT PART NAME AND NUMBER



PARTS IN ALL COLUMNS SAME — EXCEPT WHERE INDICATED

	FEDERAL NON A/C 4-SP. M/T	FEDERAL NON A/C AUTO. TRANS.	FEDERAL AIR COND. AUTO. TRANS.	FEDERAL AIR COND. 4-SP. M/T	CALIF. NON A/C AUTO. TRANS.	CALIF. AIR COND. AUTO. TRANS.	APPLICATION
	17058111	17058112	17058114	17058121	17058412	17058414	CARBURETOR No.
	22-3155	22-3160	22-3160	22-3155	22-3159	22-3159	REPLACEMENT PKG. No.
	17055936	17055338	17055338	17055936	17055334	17055334	OVERHAUL KIT
	9356	9327	9327	9356	9328	9328	POWER CARB. KIT
	40-448						GASKET SET

Illus. No.	AIR HORN PARTS						
1	7045671						Gasket—Air Horn
2	7010432						Screw—Air Horn—Long
3	7006119						Screw—Air Horn—Short
4	—						Lockwasher—Air Horn Screw
5	7032377						Pump Lever—Inside
6	7011270						Screw—Pump Lever
7	17050230	7044029	7044029	17050230	7044029	7044029	Pump Shaft & Lever Assy.
—	7019568						Washer—Pump Shaft
8	—						Clip—Pump
9	7046028	7036282	7036282	7046028	7036282	7036282	Pump Assembly
10	17055925	17055925	17055925	17055925	17055938	17055938	Air Horn Assembly
11	17053408						Filter Nut—Fuel Inlet
12	7032508						Gasket—Filter Nut
13	GF-470						Filter—Fuel Inlet
14	17051764						Spring—Fuel Inlet Filter
15	7009054	7009054	7009054	7009054	7006323	7006323	Power Piston Assembly
16	7002081						Pin—Float Hinge
17	7037512						Float Assembly
18	7044035						Elbow—Filter Nut

CO, WD, 131, 123:M, 9X, 9FR, 9FD, 9LA
 NSS—NOT SERVICED SEPARATELY

PRINTED IN U.S.A.
 © 1977 GENERAL MOTORS CORP.

	17058111	17058112	17058114	17058121	17058412	17058414	CARBURETOR No.
Illus. No.	AIR HORN PARTS (Continued)						
19	30-152	30-152	30-152	30-152	30-155	30-155	Needle & Seat Assembly
20	KIT ONLY			—			Gasket—Needle Seat
—				—			
CHOKE PARTS							
21	—			—			Vac. Brk. Control Assy.
22	7044056						Vac. Brk. Con. & Brkt. Assy.
23	7037570						Screw—Control Attaching
24	17055541	17055540	17055540	17055541	17055540	17055540	Choke Housing
25	7037239						Baffle Plate
26	17052654						Stat Cover, Coil & Gsk. Assy.
27	17050961						Gasket—Stat Cover
28	7043291						Gasket—Choke Housing
29	7040239						Link—Vacuum Break
30	7037569						Dust Seal—Inter. Choke Shaft
31	7043289						Inter. Choke Shaft Assy.
32	7043292						Screw—Choke Housing
33							Cam Lever & Bushing Assy.
34	7011270						Screw—Stat Cover
35	7000614						Retainer—Stat Cover
36	7033443						Choke Valve
37	17050270						Intermediate Choke Rod
38	17050266						Intermediate Choke Lever
39	17050766						Lever Choke
40	7019709						Screw—Choke Levers
41	17050271						Lever—Choke Shaft
42							
43							
44	7007627						Screw—Choke Valve
45	7047797						Choke Shaft Assy.
46	7026339						Hose—Vacuum
47	7043370						Choke Link
FLOAT BOWL PARTS							
48	7041141						Spring—Pump Return
49	7002120						Ball—Pump Inlet Check
—							Strainer—Pump Inlet
50	7000286						Guide—Pump Discharge
51	7002118						Spring—Pump Discharge
52	7002117						Ball—Pump Discharge
53	17055931	17055931	17055931	17055931	17065052	17065052	Float Bowl Assembly
54	KIT ONLY						Gasket—Venturi Cluster
55	17054520	17054520	17054520	17054520	17061096	17061096	Venturi Cluster Assembly
56	7045762						Screw—Venturi Cluster—Out.
57	7009077						Screw—Cluster—Center
58	—			—			Lockwasher—Outer Screws
59	KIT ONLY						Gasket—Center Screw
60	7002652	7002652	7002652	7002652	7002653	7002653	Jet—Standard (See Note)
61	7040320						Insert—Main Well
62	7011989						Power Valve Assembly
63	KIT ONLY						Gasket—Power Valve
64	—						
65	7044039	7044039	7044039	7044039	7045057	7045057	Cam—Fast Idle
66	7036222						Screw—Cam Attaching
—	—	—	1997464	1997464	—	1997464	Solenoid—Idle Stop
—	—	—	7042818	7042818	—	7042818	Bracket & Washer Assy.
—	—	—	7042654	7042654	—	7042654	Nut—Solenoid Retaining
—	—	—	7043682	7043682	—	7043682	Screw—Bracket Attaching
—	—	—	7042653	7042653	—	7042653	Washer—Tab Locking
THROTTLE BODY PARTS							
67	KIT ONLY						Gasket—Throttle Body
68	7015105						Screw—Throttle Body
69	—						Lockwasher—Thr. Body Scr.
70	17050277	7041249	7041249	17050277	7041249	7041249	Pump Rod
71	7018186						Clip—Pump Rod
72	7029427						Idle Stop Screw
—	7041519						Spring—Idle Stop Screw
73	17055933	17055926	17055926	17055933	17055940	17055940	Throttle Body Assembly
74	7048860						Idle Needle
75	7011479						Spring—Idle Needle
76	6271058						Insulator—Flange



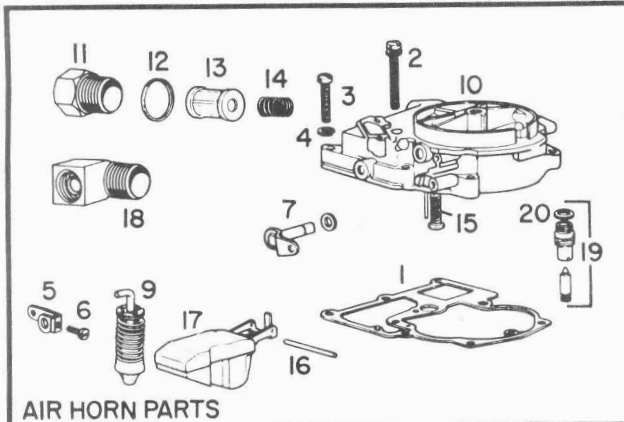
Delco Carburetor

MODEL 2GC CARBURETORS

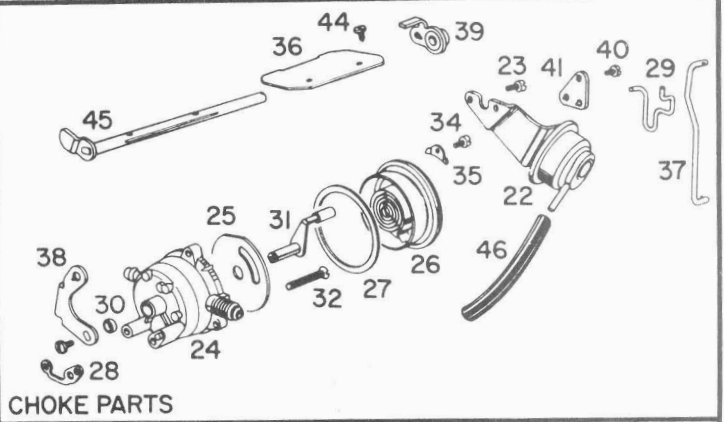
BULLETIN: 9C-3125
 DATE: NOVEMBER 1977
 PAGE: 1

1978 CHEVROLET, CHEVELLE, MONTE CARLO,
 NOVA, EL CAMINO & CABALLERO
 305 CUBIC INCH ENGINE

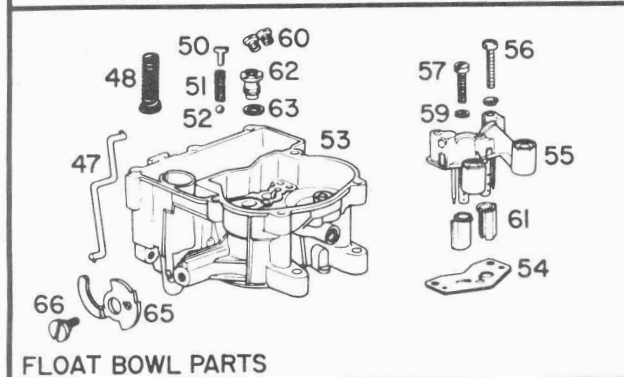
PARTS SHOWN ARE FOR IDENTIFICATION ONLY. CONSULT PARTS LIST FOR CORRECT PART NAME AND NUMBER



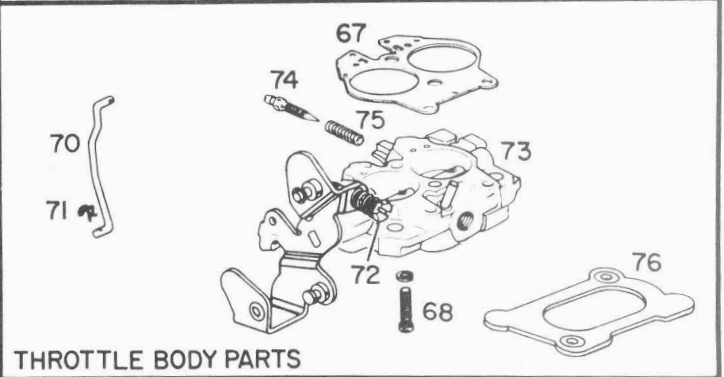
AIR HORN PARTS



CHOKE PARTS



FLOAT BOWL PARTS



THROTTLE BODY PARTS

PARTS IN ALL COLUMNS SAME — EXCEPT WHERE INDICATED

	FEDERAL A, ASP, B, X	FEDERAL A, ASP, B, X	FEDERAL A, ASP, X, 4-SPEED	FEDERAL A, ASP, X, 4-SPEED	CALIF. A, ASP, X, B-SEDAN	CALIF. A, ASP, X, B-SEDAN	APPLICATION
	NON A/C A/T	A/C A/T	NON A/C M/T	A/C M/T	NON A/C A/T	A/C A/T	
	17058108	17058110	17058113	17058123	17058408	17058410	CARBURETOR No.
	22-3158	22-3158	22-3157	22-3157	22-3166	22-3166	REPLACEMENT PKG. No.
	17055338	17055338	17055936	17055936	17055334	17055334	OVERHAUL KIT
	9327	9327	9356	9356	9328	9328	POWER CARB. KIT
	40-448						GASKET SET

Illus. No.	AIR HORN PARTS						
1	7045671						Gasket—Air Horn
2	7010432						Screw—Air Horn—Long
3	7006119						Screw—Air Horn—Short
4	—						Lockwasher—Air Horn Screw
5	7032377						Pump Lever—Inside
6	7011270						Screw—Pump Lever
7	7044029	7044029	17050230	17050230	7044029	7044029	Pump Shaft & Lever Assy.
—	7019568						Washer—Pump Shaft
8	—						Clip—Pump
9	7036282	7036282	7046028	7046028	7036282	7036282	Pump Assembly
10	17055915	17055915	17055915	17055915	17055942	17055942	Air Horn Assembly
11	17051765						Filter Nut—Fuel Inlet
12	7032508						Gasket—Filter Nut
13	GF-470						Filter—Fuel Inlet
14	7032732						Spring—Fuel Inlet Filter
15	7009054	7009054	7009054	7009054	7006323	7006323	Power Piston Assembly
16	7002081						Pin—Float Hinge
17	7037512						Float Assembly
18	—						Elbow—Filter Nut

	17058108	17058110	17058113	17058123	17058408	17058410	CARBURETOR No.
Illus. No.	AIR HORN PARTS (Continued)						
19	30-152	30-152	30-152	30-152	30-155	30-155	Needle & Seat Assembly
20	KIT ONLY			—			Gasket—Needle Seat
—							
CHOKE PARTS							
21	—			—			Vac. Brk. Control Assy.
22	7044056						Vac. Brk. Con. & Brkt. Assy.
23	7037570						Screw—Control Attaching
24	17055540	17055540	17055541	17055541	17055540	17055540	Choke Housing
25	7037239						Baffle Plate
26	17052654						Stat Cover, Coil & Gsk. Assy.
27	17050961						Gasket—Stat Cover
28	7043291						Gasket—Choke Housing
29	7040239						Link—Vacuum Break
30	7037569						Dust Seal—Inter. Choke Shaft
31	7043289						Inter. Choke Shaft Assy.
32	7043292						Screw—Choke Housing
33							Cam Lever & Bushing Assy.
34	7011270						Screw—Stat Cover
35	7000614						Retainer—Stat Cover
36	7033443						Choke Valve
37	17050270						Intermediate Choke Rod
38	17050266						Intermediate Choke Lever
39	17050766						Lever Choke
40	7019709						Screw—Choke Levers
41	17050271						Lever—Choke Shaft
42							
43							
44	7007627						Screw—Choke Valve
45	7047797						Choke Shaft Assy.
46	7026339						Hose—Vacuum
47	7043370						Choke Link
FLOAT BOWL PARTS							
48	7041141						Spring—Pump Return
49	7002120						Ball—Pump Inlet Check
—							Strainer—Pump Inlet
50	7000286						Guide—Pump Discharge
51	7002118						Spring—Pump Discharge
52	7002117						Ball—Pump Discharge
53	17055931	17055931	17055931	17055931	17065052	17065052	Float Bowl Assembly
54	KIT ONLY						Gasket—Venturi Cluster
55	17054520	17054520	17054520	17054520	17061096	17061096	Venturi Cluster Assembly
56	7045762						Screw—Venturi Cluster—Out.
57	7009077						Screw—Cluster—Center
58	—			—			Lockwasher—Outer Screws
59	KIT ONLY						Gasket—Center Screw
60	7002652	7002652	7002652	7002652	7002653	7002653	Jet—Standard (See Note)
61	7040320						Insert—Main Well
62	7011989						Power Valve Assembly
63	KIT ONLY						Gasket—Power Valve
64	—						
65	7044039	7044039	7044039	7044039	7045057	7045057	Cam—Fast Idle
66	7036222						Screw—Cam Attaching
—	—	1997464	—	1997464	—	1997464	Solenoid—Idle Stop
—	—	7042818	—	7042818	—	7042818	Bracket & Washer Assy.
—	—	7042654	—	7042654	—	7042654	Nut—Solenoid Retaining
—	—	7043682	—	7043682	—	7043682	Screw—Bracket Attaching
—	—	7042653	—	7042653	—	7042653	Washer—Tab Locking
THROTTLE BODY PARTS							
67	KIT ONLY						Gasket—Throttle Body
68	7015105						Screw—Throttle Body
69	—						Lockwasher—Thr. Body Scr.
70	7041249	7041249	17050277	17050277	7041249	7041249	Pump Rod
71	7018186						Clip—Pump Rod
72	7029427						Idle Stop Screw
—	7041519						Spring—Idle Stop Screw
73	17055926	17055926	17055933	17055933	17055940	17055940	Throttle Body Assembly
74	7048860						Idle Needle
75	7011479						Spring—Idle Needle
76	6271058						Insulator—Flange



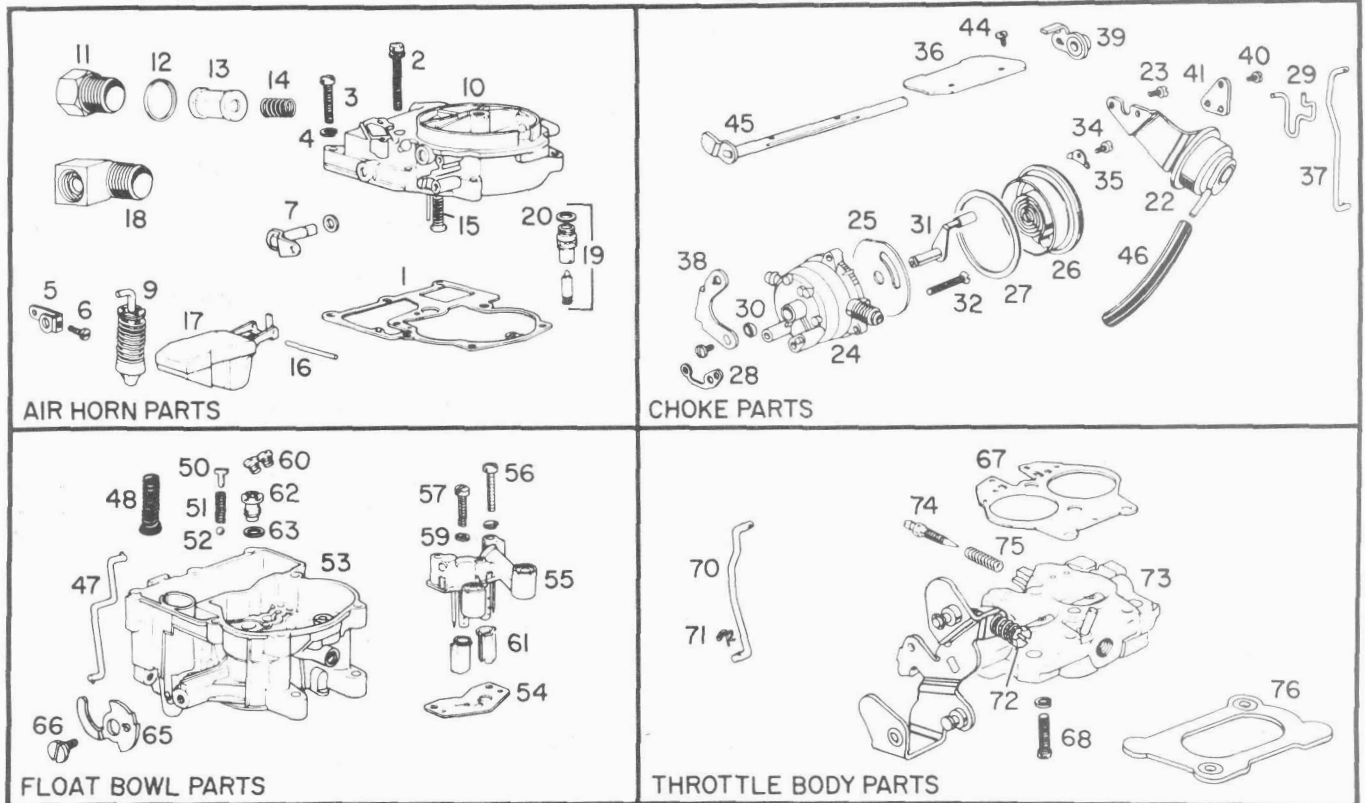
Delco Carburetor

MODEL 2GC CARBURETORS

1978 CHEVROLET CHEVELLE, MONTE CARLO & MONZA 305 CUBIC INCH ENGINE

BULLETIN: 9C-3126
DATE: NOVEMBER 1977
PAGE: 1

PARTS SHOWN ARE FOR IDENTIFICATION ONLY. CONSULT PARTS LIST FOR CORRECT PART NAME AND NUMBER



PARTS IN ALL COLUMNS SAME — EXCEPT WHERE INDICATED

	FEDERAL MONZA NON A/C 4-SP. MAN. TR.	ALTITUDE A-SEDAN MONTE CARLO NON A/C AUTO. TRANS.	ALTITUDE A-SEDAN MONTE CARLO AIR COND. AUTO. TRANS.	APPLICATION
	17058107	17058126	17058128	CARBURETOR No.
	22-3153	22-3162	22-3162	REPLACEMENT PKG. No.
	17055337	17055936	17055936	OVERHAUL KIT
	9325	9356	9356	POWER CARBURETOR KIT
	40-456	40-448	40-448	
Illus. No.	AIR HORN PARTS			
1	17050409	7045671	7045671	Gasket-Air Horn
2	7010432			Screw-Air Horn-Long
3	7006119			Screw-Air Horn-Short
4	-			Lockwasher-Air Horn Screw
5	7032377			Pump Lever-Inside
6	7011270			Screw-Pump Lever
7	17050230			Pump Shaft & Lever Assembly
-	7019568			Washer-Pump Shaft
8	-			Clip-Pump
9	7046028			Pump Assembly
10	17055925			Air Horn Assembly
11	17053408			Filter Nut-Fuel Inlet
12	7032508			Gasket-Filter Nut
13	GF-470			Filter-Fuel Inlet
14	17051764			Spring-Fuel Inlet Filter
15	7009054			Power Piston Assembly
16	7002081			Pin-Float Hinge
17	7037512			Float Assembly
18	7044032	7044035	7044035	Elbow-Filter Nut

Illus. No.	17058107	17058126	17058128	CARBURETOR No.
AIR HORN PARTS (Continued)				
19	30-152			Needle & Seat Assembly
20	KIT ONLY			Gasket—Needle Seat
—	—			
CHOKE PARTS				
21	—			Vac. Brk. Control Assembly
22	7044056			Vac. Brk. Cont. & Brkt. Assy. Ch. Side
23	7037570			Screw—Control Attaching
24	17055541	17055929	17055929	Choke Housing
25	7037239			Baffle Plate
26	17052654			Stat Cover, Coil & Gasket Assy.
27	17050961			Gasket—Stat Cover
28	7043291			Gasket—Choke Housing
29	7040239			Link—Vacuum Break
30	7037569			Dust Seal—Inter. Choke Shaft
31	7043289			Intermediate Choke Shaft Assy.
32	7043292			Screw—Choke Housing
33	—			Cam Lever & Bushing Assembly
34	7011270			Screw—Stat Cover
35	7000614			Retainer—Stat Cover
36	7033443			Choke Valve
37	17050270			Intermediate Choke Rod
38	17050266			Intermediate Choke Lever
39	17050766			Lever Choke
40	7019709			Screw—Choke Levers
41	17050271			Lever—Choke Shaft
42	—			
43	—			
44	7007627			Screw—Choke Valve
45	7047797			Choke Shaft Assy.
46	7026339			Hose—Vacuum
47	7043370			Choke Link
FLOAT BOWL PARTS				
48	7041141			Spring—Pump Return
49	7002120			Ball—Pump Inlet Check
—	—			Strainer—Pump Inlet
50	7000286			Guide—Pump Discharge
51	7002118			Spring—Pump Discharge
52	7002117			Ball—Pump Discharge
53	17055931	17055928	17055928	Float Bowl Assembly
54	KIT ONLY			Gasket—Venturi Cluster
55	17054520			Venturi Cluster Assembly
56	7045762			Screw—Venturi Cluster—Outer
57	7009077			Screw—Cluster—Center
58	—			Lockwasher—Outer Screws
59	KIT ONLY			Gasket—Center Screw
60	7002652			Jet—Standard (See Note)
61	7040320			Insert—Main Well
62	7011989			Power Valve Assembly
63	KIT ONLY			Gasket—Power Valve
64	—			
65	7044039			Cam—Fast Idle
66	7036222			Screw—Cam Attaching
—	NONE	NONE	1997464	Solenoid—Idle Stop (See Note)
—	NONE	NONE	7042818	Bracket & Washer Assy.
—	NONE	NONE	7042654	Nut—Solenoid Retaining
—	NONE	NONE	7043682	Screw—Bracket Attaching
THROTTLE BODY PARTS				
67	KIT ONLY			Gasket—Throttle Body
68	7015105			Screw—Throttle Body
69	—			Lockwasher—Throttle Body Screws
70	17050277			Pump Rod
71	7018186			Clip—Pump Rod
72	7029427			Idle Stop Screw
—	7041519			Spring—Idle Stop Screw
73	17055933	17055926	17055926	Throttle Body Assembly
74	7048860			Idle Needle
75	7011479			Spring—Idle Needle
76	6271058			Insulator—Flange

Note: Solenoid Available Through Delco-Remy

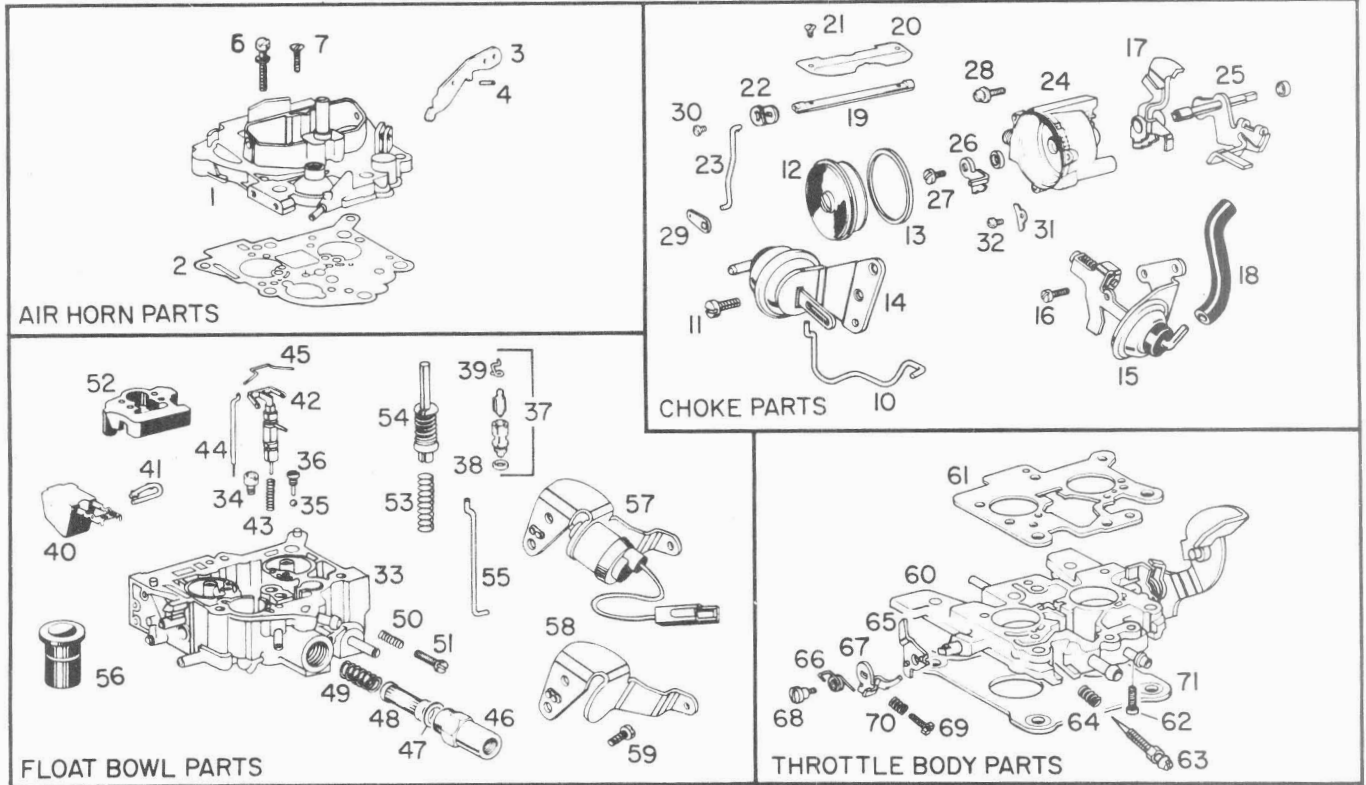


Delco Carburetor

MODEL M2ME DUALJET-210
1978 CHEVROLET CHEVELLE, EL CAMINO
& CABALLERO
200 CUBIC INCH ENGINE

BULLETIN: 9C-3127
DATE: NOVEMBER 1977
PAGE: 1

PARTS SHOWN ARE FOR IDENTIFICATION ONLY. CONSULT PARTS LIST FOR CORRECT PART NAME AND NUMBER



PARTS IN ALL COLUMNS SAME — EXCEPT WHERE INDICATED

	FEDERAL CHEVELLE EL CAMINO CABALLERO NON A/C AUTO. TRANS.	FEDERAL CHEVELLE EL CAMINO CABALLERO NON A/C 3-SP. M/T	FEDERAL CHEVELLE EL CAMINO CABALLERO AIR COND. AUTO. TRANS.	FEDERAL CHEVELLE EL CAMINO CABALLERO AIR COND. 3-SP. M/T	APPLICATION
	17058130	17058131	17058132	17058133	CARBURETOR No.
	22-3146	22-3145	22-3148	22-3147	REPLACEMENT PACKAGE No.
	17055912				OVERHAUL KIT
	9355				POWER CARBURETOR KIT
	40-474				GASKET SET
Illus. No.	AIR HORN PARTS				
1	17055910				Air Horn Assembly
2	7045097				Gasket—Air Horn
3	7048169				Lever—Pump Actuating
4	9428787				Roll Pin—Pump & Lockout Lever Hinge
5	—				Screw—Air Horn
6	7014699				Screw—Air Horn
7	7031105				Screw—Air Horn
8	—				Metering Rod—Secondary
9	—				Sec. Metering Rod Holder Kit
—	—				Air Valve Spring & Cam Kit
	CHOKE PARTS				
10	—				Link—Aux. Vac. Break
11	—				Screw—Aux. Vac. Break Mounting

	17058130	17058131	17058132	17058133	CARBURETOR No.
Illus. No.	CHOKE PARTS (Continued)				
12	—				Stat Cover Coil & Gasket Assy.
12	17057936				Electric Stat Cover & Coil Assy.
13	—				Gasket—Stat Cover
14	17056010				Vacuum Break Control & Brkt. Assy.
15	—				Aux. Vac. Break Control & Brkt. Assy.
16	17050732				Screw—Control Attaching
17	17051176				Cam—Fast Idle
18	7026339				Hose—Vacuum
19	7038259				Choke Shaft
20	7048904				Choke Valve
21	7029866				Screw—Choke Valve
22	7031231				Lever—Intermediate Choke
23	7041472				Rod—Choke
24	17055913				Choke Housing Kit
25	17050754				Inter. Choke Shaft & Lever Assy.
—	7037569				Seal—Inter. Choke Shaft
—	—				Seal—Choke Hsg. to Bowl
26	17056490				Lever—Stat Coil
27	7019709				Screw—Coil Lever
28	7038808				Screw—Choke Hsg. to Bowl
29	7041542				Lever—Choke
30	7029866				Screw—Choke Lever
31	7000614				Retainer—Stat Cover
32	7011270				Screw—Stat Cover
FLOAT BOWL PARTS					
33	17055909				Float Bowl Assembly
34	7031974				Jet—Primary
35	7002117				Ball—Pump Discharge
36	7029849				Retainer—Pump Discharge Ball
37	30-151				Needle & Seat Assy.
38	KIT ONLY				Gasket—Needle Seat
39	7033751				Pull Clip—Float Needle
40	7043379				Float Assembly
41	7041469				Hinge Pin—Float Assembly
42	17061056				Power Piston Assembly—Main
43	—				Spring—Power Piston Primary
44	17057750				Metering Rod—Main
45	7041459				Spring—Metering Rod—Primary
46	17059861				Filter Nut—Fuel Inlet
47	7024281				Gasket—Filter Nut
48	GF-471				Filter—Fuel Inlet
49	7032732				Spring Fuel Filter
50	7003176				Spring—Idle Stop Screw
51	7002121				Screw—Idle Stop
52	7041471				Insert—Float Bowl
—	—				Baffle—Float Bowl
53	7042979				Spring—Pump Return
54	7048874				Pump Assembly
55	17056437				Rod Pump
56	17051796				Insert—Aneroid & Cavity
—	—	—	7044300	7044300	Solenoid—Idle Stop
—	—	—	17056020	17056020	Bracket & Washer Assy.
—	—	—	7042653	7042653	Washer—Tab Locking
—	—	—	7042654	7042654	Nut—Solenoid Retaining
—	—	—	7043682	7043682	Screw—Bracket Attaching
THROTTLE BODY PARTS					
60	17058618	7045093	17058663	17058664	Throttle Body Assembly
61	KIT ONLY				Gasket—Throttle Body
62	7035790				Screw—Throttle Body
63	7048531				Idle Needle
64	7011479				Spring—Idle Needle
65	7041497				Lever—Cam Follower
66	17051494				Spring—Cam Lever
67	7041498				Fast Idle Lever
68	7036079				Screw—Fast Idle Lever Attaching
69	7044794				Screw—Fast Idle Adjusting
70	7029900				Spring—Fast Idle Screw
71	462693				Gasket—Flange

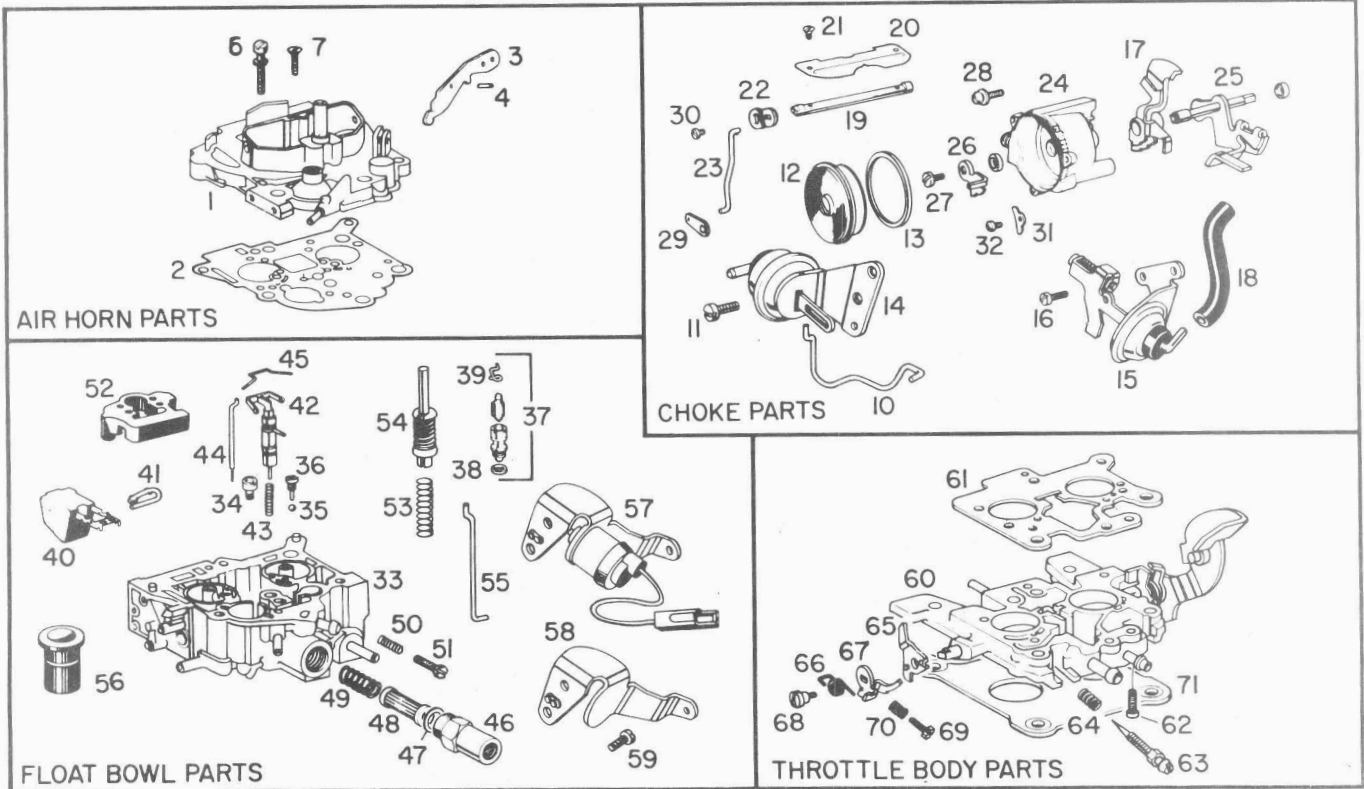


Delco Carburetor

MODEL M2ME DUALJET-210
1978 CHEVROLET CHEVELLE
(CANADA ONLY)
200 CUBIC INCH ENGINE

BULLETIN: 9C-3128
DATE: NOVEMBER 1977
PAGE: 1

PARTS SHOWN ARE FOR IDENTIFICATION ONLY. CONSULT PARTS LIST FOR CORRECT PART NAME AND NUMBER



PARTS IN ALL COLUMNS SAME — EXCEPT WHERE INDICATED

Illus. No.	CANADA ONLY A-SEDAN Z-94-OPTION NON A/C AUTO. TRANS.	CANADA ONLY A-SEDAN Z-94-OPTION AIR COND. AUTO. TRANS.	APPLICATION
	17058184	17058186	CARBURETOR No.
	22-3150	22-3152	REPLACEMENT PACKAGE No.
	17055912		OVERHAUL KIT
	9355		POWER CARBURETOR KIT
40-474		GASKET SET	
	AIR HORN PARTS		
1	17055910		Air Horn Assembly
2	7045097		Gasket—Air Horn
3	7048169		Lever—Pump Actuating
4	9428787		Roll Pin—Pump & Lockout Lever Hinge
5	—		Screw—Air Horn
6	7014699		Screw—Air Horn
7	7031105		Screw—Air Horn
8	—		Metering Rod—Secondary
9	—		Sec. Metering Rod Holder Kit
—	—		Air Valve Spring & Cam Kit
	CHOKE PARTS		
10	—		Link—Aux. Vacuum Break
11	—		Screw—Aux. Vacuum Break Mounting

Illus. No.	17058184	17058186	CARBURETOR No.
			CHOKE PARTS (Continued)
12	—		Stat Cover, Coil & Gasket Assy.
12	17057936		Electric Stat Cover & Coil Assy.
13	—		Gasket—Stat Cover
14	17056010		Vacuum Break Control & Bracket Assy.
15	—		Aux. Vacuum Break Control & Bracket Assy.
16	17050732		Screw—Control Attaching
17	17051176		Cam—Fast Idle
18	7026339		Hose—Vacuum
19	7038259		Choke Shaft
20	7048904		Choke Valve
21	7029866		Screw—Choke Valve
22	7031231		Lever—Intermediate Choke
23	7041472		Rod—Choke
24	17055913		Choke Housing Kit
25	17050754		Intermediate Choke Shaft & Lever Assy.
—	7037569		Seal—Intermediate Choke Shaft
—	—		Seal—Choke Housing to Bowl
26	17056490		Lever—Stat Coil
27	7019709		Screw—Coil Lever
28	7038808		Screw—Choke Housing to Bowl
29	7041542		Lever—Choke
30	7029866		Screw—Choke Lever
31	7000614		Retainer—Stat Cover
32	7011270		Screw—Stat Cover
			FLOAT BOWL PARTS
33	17055909		Float Bowl Assembly
34	7031974		Jet—Primary
35	7002117		Ball—Pump Discharge
36	7029849		Retainer—Pump Discharge Ball
37	30-151		Needle & Seat Assy.
38	KIT ONLY		Gasket—Needle Seat
39	7033751		Pull Clip—Float Needle
40	7043379		Float Assembly
41	7041469		Hinge Pin—Float Assembly
42	17061056		Power Piston Assembly Main
43	—		Spring—Power Piston Primary
44	17057750		Metering Rod—Main
45	7041459		Spring—Metering Rod—Primary
46	17059861		Filter Nut—Fuel Inlet
47	7024281		Gasket—Filter Nut
48	GF-471		Filter—Fuel Inlet
49	7032732		Spring Fuel Filter
50	7003176		Spring—Idle Stop Screw
51	7002121		Screw—Idle Stop
52	7041471		Insert—Float Bowl
—	—		Baffle—Float Bowl
53	7042979		Spring—Pump Return
54	7048874		Pump Assembly
55	17056437		Rod Pump
56	17051796		Insert—Aneroid & Cavity
—	NONE	7044300	Solenoid—Idle Stop
—	NONE	17056020	Bracket & Washer Assy.
—	NONE	7042653	Washer—Tab Locking
—	NONE	7042654	Nut—Solenoid Retaining
—	NONE	7043682	Screw—Bracket Attaching
			THROTTLE BODY PARTS
60	17060521	17060522	Throttle Body Assembly
61	KIT ONLY		Gasket—Throttle Body
62	7035790		Screw—Throttle Body
63	7048531		Idle Needle
64	7011479		Spring—Idle Needle
65	7041497		Lever—Cam Follower
66	17051494		Spring—Cam Lever
67	7041498		Fast Idle Lever
68	7036079		Screw—Fast Idle Lever Attaching
69	7044794		Screw—Fast Idle Adjusting
70	7029900		Spring—Fast Idle Screw
71	462693		Gasket—Flange



Delco Carburetor

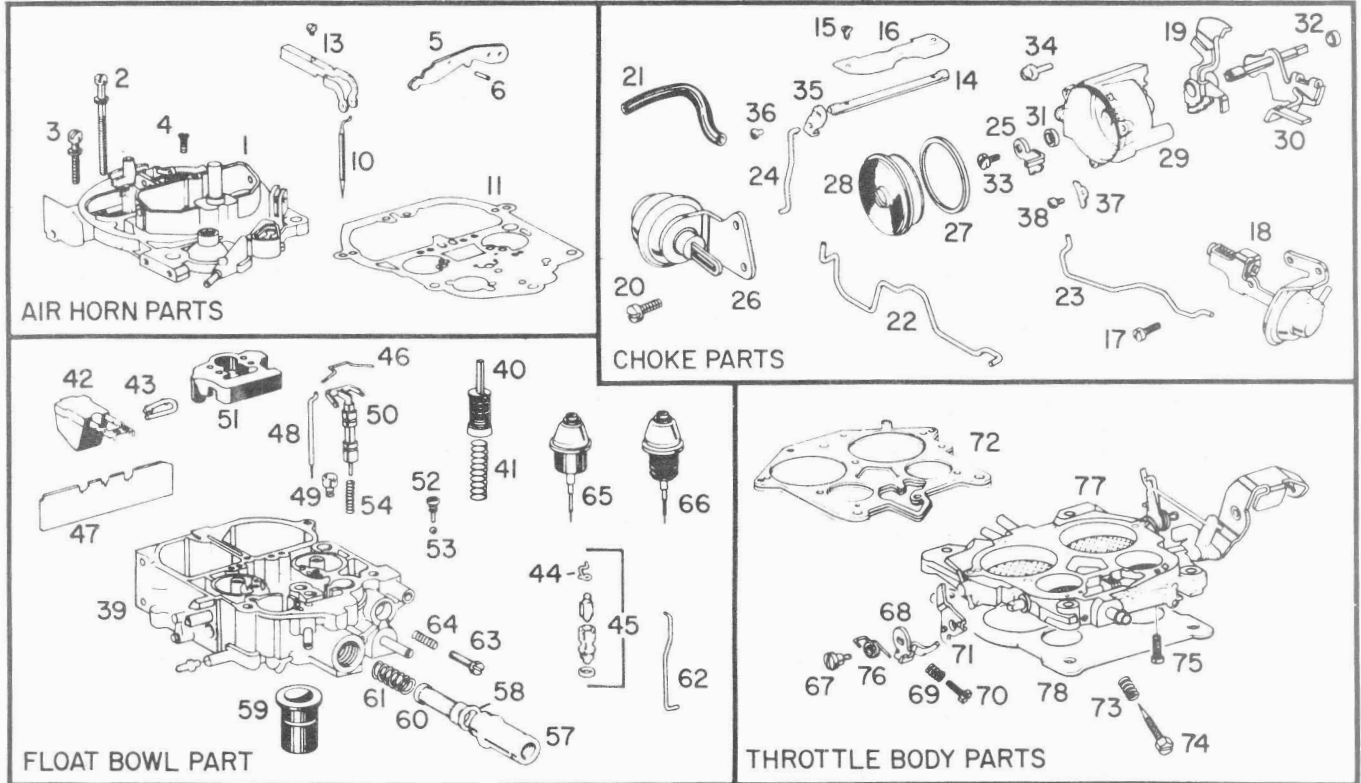
MODEL M4MC QUADRAJET

BULLETIN: 9C-3129
 DATE: NOVEMBER 1977
 PAGE: 1

1978 CHEVROLET, CHEVELLE, CAMARO, NOVA,
 CORVETTE, EL CAMINO & CABALLERO

350 CUBIC INCH ENGINE

PARTS SHOWN ARE FOR IDENTIFICATION ONLY. CONSULT PARTS LIST FOR CORRECT PART NAME AND NUMBER



PARTS IN ALL COLUMNS SAME — EXCEPT WHERE INDICATED

FEDERAL ALL NON A/C AUTO. TRANS.	FEDERAL ALL AIR COND. AUTO. TRANS.	CALIF. ALL NON A/C AUTO. TRANS.	CALIF. ALL AIR COND. AUTO. TRANS.	ALTITUDE ALL NON A/C AUTO. TRANS.	ALTITUDE ALL AIR COND. AUTO. TRANS.	APPLICATION
17058202	17058204	17058502	17058504	17058582	17058584	CARBURETOR No.
24-3191	24-3191	24-3192	24-3192	24-3184	24-3184	REPLACEMENT PKG. No.
17055706	17055706	17055727	17055727	17055727	17055727	OVERHAUL KIT
9349						POWER CARB. KIT
40-472						GASKET SET

Illus. No.	AIR HORN PARTS						
1	17055703						Air Horn Assembly
2	7029912						Screw—Air Horn
3	7014699						Screw—Air Horn
4	7031105						Screw—Air Horn
5	7048169						Lever—Pump Actuating
6	9428787						Roll Pin—Pump & Lockout Lvrs.
7	—						Screw—Idle Vent Valve
8	—						Valve—Idle Vent
9	—						Idle Vent Valve Kit
10	7045779						Metering Rod—Secondary
11	17056357						Gasket—Air Horn
12	—						Lockout Lever—Air Valve
13	7034522						Sec. Metering Rod Holder Kit
—	7035344						Air Valve Spring & Cam Kit

	17058202	17058204	17058502	17058504	17058582	17058584	CARBURETOR No.
CHOKE PARTS							
Illus. No.							
14	7038259						Choke Shaft
15	7029866						Screw—Choke Valve
16	7048904						Choke Valve
17	17050732						Screw—Vacuum Break Control
18	17050759						Vac. Brk. Control & Brkt. Assy.
19	17051176						Cam—Fast Idle
20	—						Screw—Aux. Vac. Brk. Mnting.
21	7026339						Hose—Vacuum
22	7041527						Rod—Vacuum Break
—	7031231						Lever—Inter. Choke
23	—						Link—Aux. Vac. Break
24	7041472						Rod—Choke
25	7041499						Lever—Choke Coil
26	—						Vac. Brk. Con. & Brkt. Assy. Aux.
27	17050961						Gasket—Stat Cover
28	17051918						Stat Cover—Coil & Gskt. Assy.
29	17055546						Choke Housing Kit
30	17050754						Inter. Choke Shaft & Lever
31	7037569						Seal Inter. Choke Shaft
32	7043367						Seal—Choke Housing to Bowl
33	7019709						Screw—Coil Lever
34	7038808						Screw—Choke Housing to Bowl
35	7041542						Lever—Choke
36	7029866						Screw—Choke Lever
37	7000614						Retainer—Stat Cover (3)
38	7011270						Screw—Stat Cover (3)
FLOAT BOWL PARTS							
39	17065160	17065160	17055704	17055704	17055704	17055704	Float Bowl Assembly
40	7048874						Pump Assembly
41	7042979						Spring—Pump Return
42	7043379						Float Assembly
43	7041469						Hinge Pin—Float
44	7033751						Pull Clip—Float Needle
45	30-134						Needle & Seat Assembly
	KIT ONLY						Gasket—Needle Seat
46	7041459						Spring—Metering Rod—Primary
47	7031365						Baffle Plate—Float Bowl
48	17051352	17051352	17051341	17051341	17051341	17051341	Metering Rod—Primary
49	7031977	7031977	7031971	7031971	7031971	7031971	Metering Jet—Primary
50	17051792						Power Piston Assembly
51	7041471						Insert—Float Bowl
52	7029849						Retainer—Pump Disch. Ball
53	7002117						Ball—Pump Discharge
54	7029529	7029529	7036019	7036019	7036019	7036019	Spring—Power Piston
55	—						Clip—Pump Rod
56	7041473						Lockout Lever—Secondary
57	17051254						Filter Nut—Fuel Inlet
58	7024281						Gasket—Inlet Nut
59	17051796						Insert—Aneroid Cavity
60	GF-471						Filter—Fuel Inlet
61	7043568						Spring—Inlet Filter
62	7026138						Rod—Pump
63	7002121						Screw—Idle Stop
64	7003176						Spring—Idle Stop Screw
65	—	—	—	—	—	—	A.P.T. Rod Assembly
66	—	—	—	—	—	—	Aneroid Assembly
—	NONE	1997461	NONE	1997461	NONE	1997461	Solenoid & Brkt. Assy. (See Note)
—	NONE	7043682	NONE	7043682	NONE	7043682	Screw—Brkt. Attaching (2)
—							
THROTTLE BODY PARTS							
67	7036079						Screw—Fast Idle Lvs. Attching.
68	7041498						Lever—Fast Idle
69	7029900						Spring—Fast Idle Screw
70	7044794						Screw—Fast Idle Adjusting
71	7041497						Lever—Cam Follower
72	KIT ONLY						Gasket—Throttle Body
73	7011479						Spring—Idle Needle
74	7048531						Idle Needle
75	7035790						Screw—Throttle Body
76	17051494						Spring—Cam Follower Lever
77	17061441	17061441	17060356	17060356	17060356	17060356	Throttle Body Assembly
78	372506						Insulator—Flange

Note: Solenoid available through Delco—Remy.



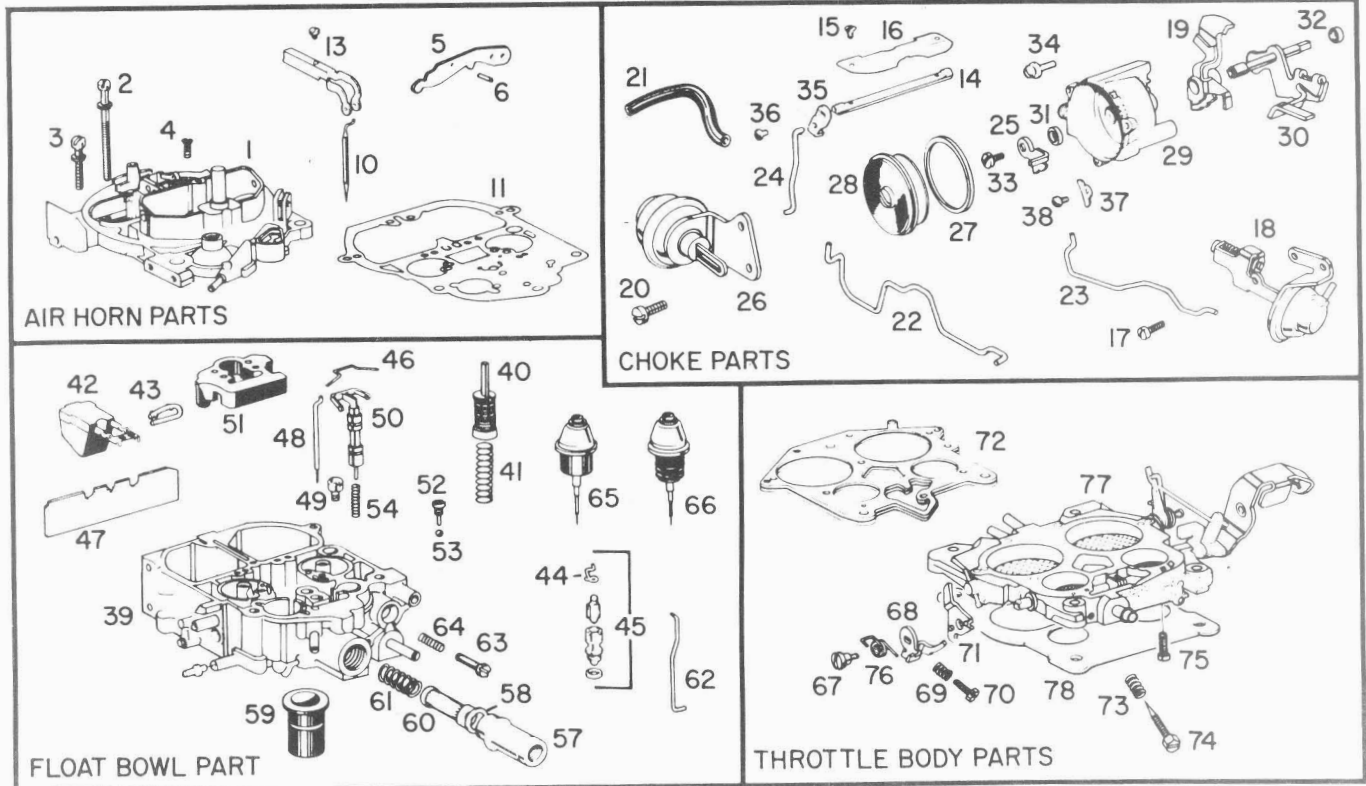
Delco Carburetor

MODEL M4MC QUADRAJET

BULLETIN: 9C-3130
 DATE: NOVEMBER 1977
 PAGE: 1

1978 CHEVROLET CHEVELLE, CAMARO, CORVETTE
 EL CAMINO & CABALLERO
 350 CUBIC INCH ENGINE

PARTS SHOWN ARE FOR IDENTIFICATION ONLY. CONSULT PARTS LIST FOR CORRECT PART NAME AND NUMBER



PARTS IN ALL COLUMNS SAME — EXCEPT WHERE INDICATED

	FEDERAL CHEVELLE CAMARO CORVETTE EL CAMINO A/C NON A/C 4-SP. M/T	FEDERAL CORVETTE HIGH PERF. NON A/C AUTO. TRANS.	FEDERAL CORVETTE HIGH PERF. A/C NON A/C 4-SP. M/T	FEDERAL CORVETTE HIGH PERF. AIR COND. AUTO. TRANS.	APPLICATION
	17058203	17058210	17058211	17058228	CARBURETOR No.
	24-3173	24-3195	24-3193	24-3194	REPLACEMENT PACKAGE No.
	17055706	17055904	17055904	17055904	OVERHAUL KIT
	9349	9353	9353	9353	POWER CARBURETOR KIT
	40-472				GASKET SET

Illus. No.	AIR HORN PARTS				
1	17055703	17055901	17055901	17055901	Air Horn Assembly
2	7029912				Screw—Air Horn
3	7014699				Screw—Air Horn
4	7031105				Screw—Air Horn
5	7048169				Lever—Pump Actuating
6	9428787				Roll Pin—Pump and Lockout Levers
7	—				Screw—Idle Vent Valve
8	—				Valve—Idle Vent
9	—				Idle Vent Valve Kit
10	7045779				Metering Rod—Secondary
11	17056357				Gasket—Air Horn
12	—				Lockout Lever—Air Valve
13	7034522				Secondary Metering Rod Holder Kit
—	7035344				Air Valve Spring and Cam Kit

	17058203	17058210	17058211	17058228	CARBURETOR No.
Illus. No.	CHOKE PARTS				
14	7038259				Choke Shaft
15	7029866				Screw—Choke Valve
16	7048904				Choke Valve
17	17050732				Screw—Vacuum Break Control
18	17050759	17053201	17053201	17053201	Vacuum Break Control and Bracket Assembly
19	17051176				Cam—Fast Idle
20	—				Screw—Aux. Vac. Brk. Mounting
21	7026339				Hose—Vacuum
22	7041527				Rod—Vacuum Break
—	7031231				Lever—Intermediate Choke
23	—				Link—Aux. Vac. Break
24	7041472				Rod—Choke
25	7041499				Lever—Choke Coil
26	—				Vacuum Break Control & Brkt. Assy. Aux.
27	17050961				Gasket—Stat Cover
28	17051918				Stat Cover—Coil & Gasket Assy.
29	17055546	17055545	17055545	17055545	Choke Housing Kit
30	17050754				Intermediate Choke Shaft & Lever
31	7037569				Seal Inter. Choke Shaft
32	7043367				Seal—Choke Housing to Bowl
33	7019709				Screw—Coil Lever
34	7038808				Screw—Choke Housing to Bowl
35	7041542				Lever—Choke
36	7029866				Screw—Choke Lever
37	7000614				Retainer—Stat Cover (3)
38	7011270				Screw—Stat Cover (3)
	FLOAT BOWL PARTS				
39	17055704	17055902	17055902	17055902	Float Bowl Assembly
40	7048874	17051374	17051374	17051374	Pump Assembly
41	7042979				Spring—Pump Return
42	7043379				Float Assembly
43	7041469				Hinge Pin—Float
44	7033751				Pull Clip—Float Needle
45	30-134				Needle and Seat Assembly
	KIT ONLY				Gasket—Needle Seat
46	7041459				Spring—Metering Rod—Primary
47	7031365				Baffle Plate—Float Bowl
48	17051352	17051353	17051353	17051353	Metering Rod—Primary
49	7031977				Metering Jet—Primary
50	17051792				Power Piston Assembly
51	7041471				Insert—Float Bowl
52	7029849				Retainer—Pump Discharge Ball
53	7002117				Ball—Pump Discharge
54	7029529	17052057	17052057	17052057	Spring—Power Piston
55	—				Clip—Pump Rod
56	7041473				Lockout Lever—Secondary
57	17051254				Filter Nut—Fuel Inlet
58	7024281				Gasket—Inlet Nut
59	17051796				Insert—Aneroid Cavity
60	GF-471				Filter—Fuel Inlet
61	7043568				Spring—Inlet Filter
62	7026138				Rod—Pump
63	7002121				Screw—Idle Stop
64	7003176				Spring—Idle Stop Screw
65	—	—	—	—	A.P.T. Rod Assembly
66	—	—	—	—	Aneroid Assembly
—	NONE	NONE	NONE	1997461	Solenoid & Bracket Assy. (See note)
—	NONE	NONE	NONE	7043682	Screw—Bracket Attaching (2)
—					
	THROTTLE BODY PARTS				
67	7036079				Screw—Fast Idle Levers Attaching
68	7041498				Lever—Fast Idle
69	7029900				Spring—Fast Idle Screw
70	7044794				Screw—Fast Idle Adjusting
71	7041497				Lever—Cam Follower
72	KIT ONLY				Gasket—Throttle Body
73	7011479				Spring—Idle Needle
74	7048531				Idle Needle
75	7035790				Screw—Throttle Body
76	17051494				Spring—Cam Follower Lever
77	17060387	17060861	17058775	17060861	Throttle Body Assembly
78	372506				Insulator—Flange

Note: Solenoid Available Through Delco-Remy.

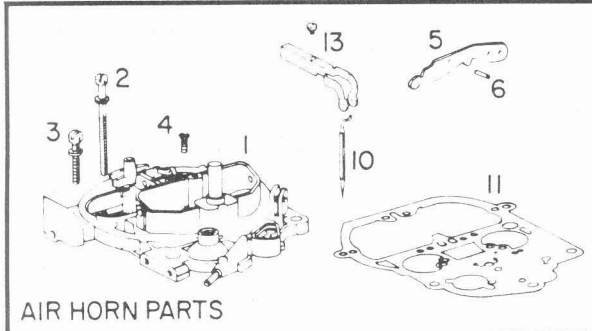


Delco Carburetor

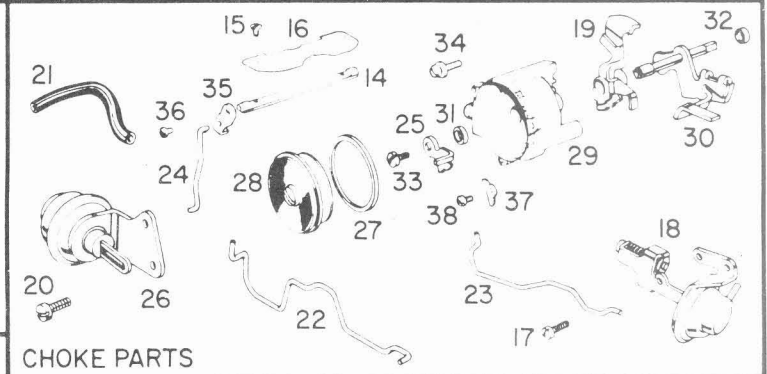
MODEL M4MC QUADRAJET
1978 CHEVROLET & CAMARO
(CANADA ONLY Z-94-OPTION)

BULLETIN: 9C-3131
DATE: NOVEMBER 1977
PAGE 1

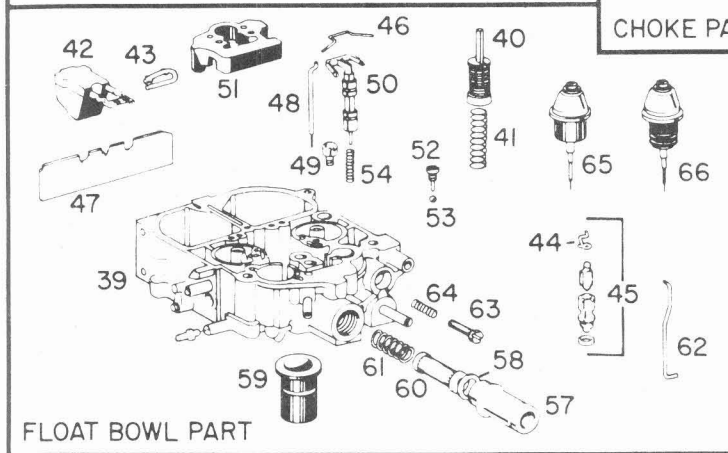
PARTS SHOWN ARE FOR IDENTIFICATION ONLY. CONSULT PARTS LIST FOR CORRECT PART NAME AND NUMBER.



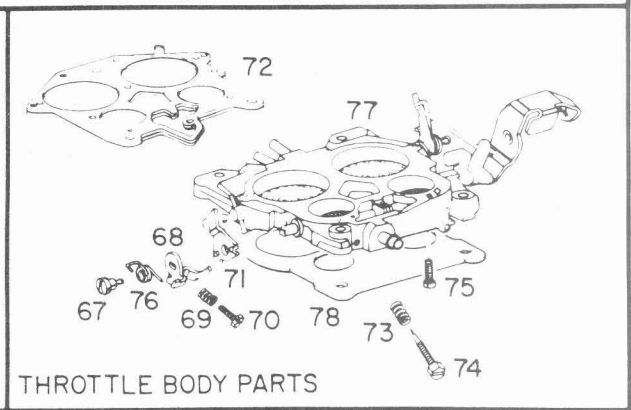
AIR HORN PARTS



CHOKE PARTS



FLOAT BOWL PART



THROTTLE BODY PARTS

PARTS IN ALL COLUMNS SAME — EXCEPT WHERE INDICATED

Illus. No.	B-SEDAN & WAGON CAMARO NON A/C AUTO. TRANS.	B-SEDAN & WAGON CAMARO AIR COND. AUTO. TRANS.	APPLICATION CARBURETOR No. REPLACEMENT PACKAGE No. OVERHAUL KIT POWER CARBURETOR KIT GASKET SET
	17058282 24-3196 17055706 9349 40-472	17058284 24-3196	
	AIR HORN PARTS		
1	17055703		Air Horn Assembly
2	7029912		Screw—Air Horn
3	7014699		Screw—Air Horn
4	7031105		Screw—Air Horn
5	7048169		Lever—Pump Actuating
6	9428787		Roll Pin—Pump and Lockout Levers
7	—		Screw—Idle Vent Valve
8	—		Valve—Idle Vent
9	—		Idle Vent Valve Kit
10	7045779		Metering Rod—Secondary
11	17056357		Gasket—Air Horn
12	—		Lockout Lever—Air Valve
13	7034522		Secondary Metering Rod Holder Kit
—	7035344		Air Valve Spring and Cam Kit
14	7038259		Choke Shaft
15	7029866		Screw—Choke Valve
16	7048904		Choke Valve
17	17050732		Screw—Vacuum Break Control

	17058282	17058284	CARBURETOR No.
	CHOKE PARTS		
Illus. No.			
18	17050759		Vacuum Break Control and Bracket Assembly
19	17051176		Cam—Fast Idle
20	—		Screw—Aux. Vac. Brk. Mounting
21	7026339		Hose—Vacuum
22	7041527		Rod—Vacuum Break
—	7031231		Lever—Intermediate Choke
23	—		Link—Aux. Vac. Break
24	7041472		Rod—Choke
25	7041499		Lever—Choke Coil
26	—		Vacuum Break Control & Brkt. Assy. Aux.
27	17050961		Gasket—Stat Cover
28	17051918		Stat Cover—Coil & Gasket Assy.
29	17065162		Choke Housing Kit
30	17050754		Intermediate Choke Shaft & Lever
31	7037569		Seal Inter. Choke Shaft
32	7043367		Seal—Choke Housing to Bowl
33	7019709		Screw—Coil Lever
34	7038808		Screw—Choke Housing to Bowl
35	7041542		Lever—Choke
36	7029866		Screw—Choke Lever
37	7000614		Retainer—Stat Cover (3)
38	7011270		Screw—Stat Cover (3)
	FLOAT BOWL PARTS		
39	17065160		Float Bowl Assembly
40	7048874		Pump Assembly
41	7042979		Spring—Pump Return
42	7043379		Float Assembly
43	7041469		Hing Pin—Float
44	7033751		Pull Clip—Float Needle
45	30-134		Needle and Seat Assembly
	KIT ONLY		
46	7041459		Gasket—Needle Seat
47	7031365		Spring—Metering Rod—Primary
48	17051352		Baffle Plate—Float Bowl
49	7031977		Metering Rod—Primary
50	17051792		Metering Jet—Primary
51	7041471		Power Piston Assembly
52	7029849		Insert—Float Bowl
53	7002117		Retainer—Pump Discharge Ball
54	7029529		Ball—Pump Discharge
55	—		Spring—Power Piston
56	7041473		Clip—Pump Rod
57	17051254		Lockout Lever—Secondary
58	7024281		Filter Nut—Fuel Inlet
59	17051796		Gasket—Inlet Nut
60	GF-471		Insert—Aneroid Cavity
61	7043568		Filter—Fuel Inlet
62	7026138		Spring—Inlet Filter
63	7002121		Rod—Pump
64	7003176		Screw—Idle Stop
65	—	—	Spring—Idle Stop Screw
66	—	—	S.P.T. Rod Assembly
—	NONE	1997461	Aneroid Assembly
—	NONE	7043682	Solenoid & Bracket Assy. (See Note)
—			Screw—Bracket Attaching (2)
	THROTTLE BODY PARTS		
67	7036079		Screw—Fast Idle Levers Attaching
68	7041498		Lever—Fast Idle
69	7029900		Spring—Fast Idle Screw
70	7044794		Screw—Fast Idle Adjusting
71	7041497		Lever—Cam Follower
72	KIT ONLY		Gasket—Throttle Body
73	7011479		Spring—Idle Needle
74	7048531		Idle Needle
75	7035790		Screw—Throttle Body
76	17051494		Spring—Cam Follower Lever
77	17061401		Throttle Body Assembly
78	372506		Insulator—Flange

Note: Solenoid Available Through Delco-Remy