

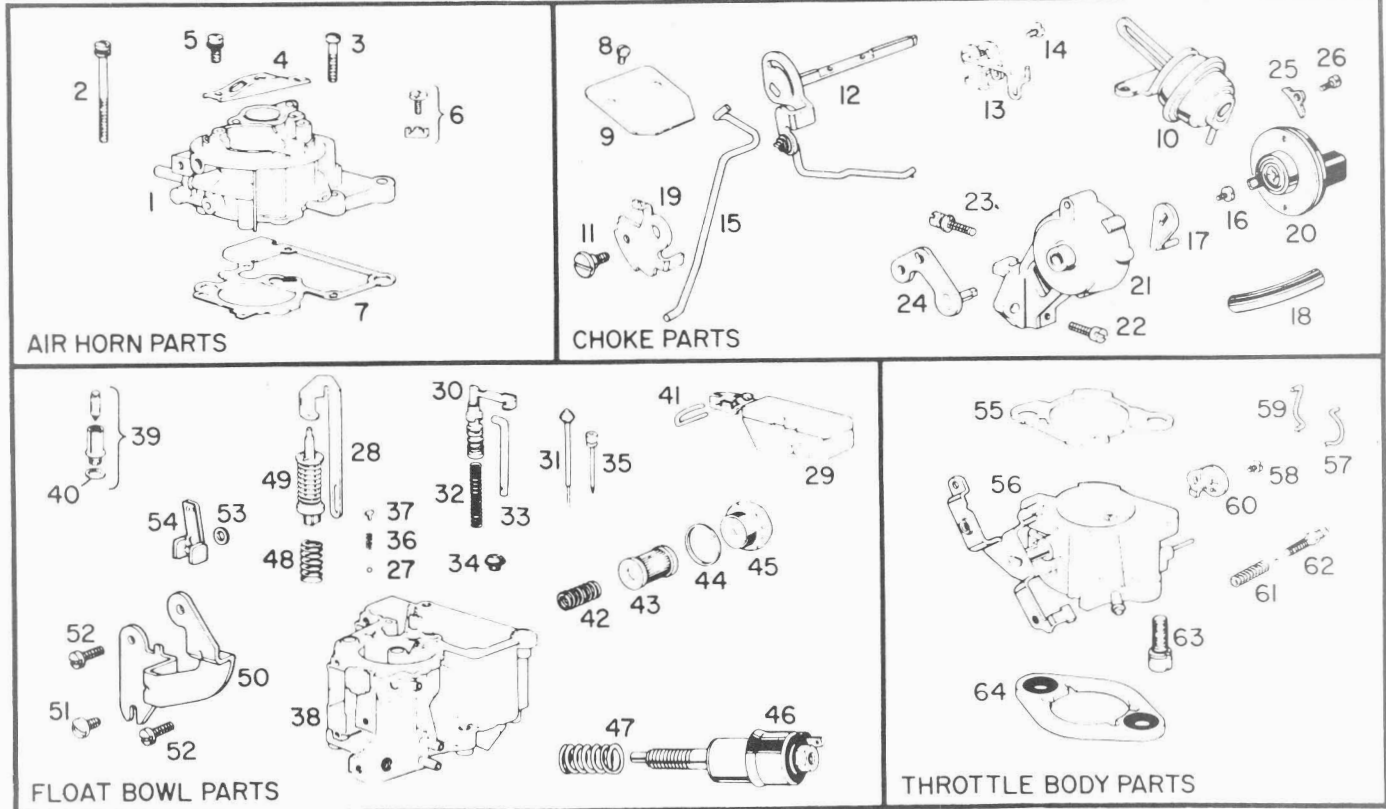


Delco Carburetor

BULLETIN: 9C-3134
DATE: MAY 1984
Page: 1

MODEL 1ME MONOJET 1979 CHEVROLET, CAMARO, NOVA 250 CUBIC INCH ENGINE

A-Malibu; ASP-Monte Carlo; B-Impala, Caprice; F-Camaro; HSP-Monza, T-Chevette; X-Nova; Y-Corvette



PARTS SHOWN ARE FOR IDENTIFICATION ONLY. CONSULT PARTS LIST FOR CORRECT PART NAME AND NUMBER

PARTS IN ALL COLUMNS SAME — EXCEPT WHERE INDICATED

	B-SED, F A/C NON A/C 3-SP. M/T FEDERAL	B-SED, F, X NON A/C AUTO. TRANS. FEDERAL	B-SED, F, X AIR. COND. AUTO. TRANS. FEDERAL	B-SED, F, X A/C NON A/C AUTO. TRANS. CALIF.	APPLICATION
	17059013	17059014	17059020	17059314	CARBURETOR No.
	21-3198	21-3200	21-3199	21-3204	REPLACEMENT PACKAGE No.
	17065392	17065392	17065392	17055960	OVERHAUL KIT
	76004				POWER CARBURETOR KIT
	40-470				GASKET SET
AIR HORN PARTS					
Illus. No.					
1	17058850				Air Horn Assembly
—	7043088				Screw—Air Horn
2	7043089				Screw—Air Horn (Long)
3	7030917				Screw—Air Horn (Short)
4	7043588				Bracket—Air Cleaner Stud
5	7042813				Screw—Bracket Attaching
6	—				Idle Vent Valve Kit
7	17056453				Gasket—Air Horn
CHOKE PARTS					
8	7020926				Screw—Choke Valve (2)
9	7049918				Choke Valve
10	7045064	7045064	7045064	17060446	Vac. Brk. Assy. Bowl Side
11	7003561				Screw—Cam Attaching
12	7044345				Choke Shaft Lever & Link Assembly
13	7044483				Vac. Brk. Lever & Link Assy.
14	7019709				Screw—Vac. Brk Lever Attaching
15	7044261				Link—Cam
16	7019709				Screw—Stat Lever Attaching
17	7044091				Lever—Stat Coil

	17059013	17059014	17059020	17059314	CARBURETOR No.
Illus. No.	CHOKE PARTS (Continued)				
18	7026339				Hose Vacuum Break
19	17056841				Cam—Fast Idle
20	17061773				Electric Stat Cover & Coil Assy.
21	7044199				Choke Housing & Bearing Assy.
22	17051625				Screw—Choke Housing to Bowl (1)
23	17051626				Screw—Choke Housing to Bowl (2)
24	7044236				Choke Coil Lever & Shaft Assy.
25	7000614				Retainer—Choke Cover (3)
26	7011270				Screw—Choke Cover (3)
	FLOAT BOWL PARTS				
27	7002117				Ball—Pump Discharge
28	17056474				Lever—Pump Actuating
29	7037022				Float Assembly
30	7035889	7036066	7036066	7035512	Power Piston Assembly
31	7037974			7040630	Metering Rod & Spring Assembly
32	7012515				Spring—Power Piston
33	17055196				Rod—Power Piston Kit
34	7034200	7034201	7034201	7034202	Jet—Main Metering
35	17052340				Idle Tube Assembly
36	7002118				Spring—Pump Discharge
37	7003838				Guide—Pump Discharge
38	17065370	17065421	17065368	17055958	Float Bowl Assembly
39	30-156				Needle & Seat Assembly
40	KIT ONLY				Gasket—Needle Seat
41	7034032				Hinge Pin—Float
42	7032732				Spring—Fuel Filter
43	GF-470				Filter—Fuel Inlet
44	7032508				Gasket—Filter Nut
45	7038946				Filter Nut—Fuel Inlet
46	7043575				Solenoid—Idle Stop
47	—				Spring—Solenoid Locking
48	7041176				Spring—Pump Return
49	7037595				Pump Assembly
50	7044344				Bracket—Thr. Return
51	17050024				Screw—Throttle Bracket (1)
52	7041287				Screw—Throttle Bracket (2)
53	7027970	NONE	7027970	7027970	Gasket—Idle Compensator
54	17060388	NONE	17060388	17060388	Idle Compensator
	THROTTLE BODY PARTS				
55	KIT ONLY				Gasket—Throttle Body
56	17061617	17061617	17061617	17060483	Throttle Body Assembly
57	7035267				Link—Pump Lever
58	7010435				Screw—Lever Attaching
59	17055196				Link—Power Piston Rod Kit
60	17055196				Lever—Pump and Power Rods Kit
61	7038989				Spring—Idle Needle
62	7048964				Idle Needle
63	7043087				Screw—Throttle Body
64	333977				Insulator—Flange



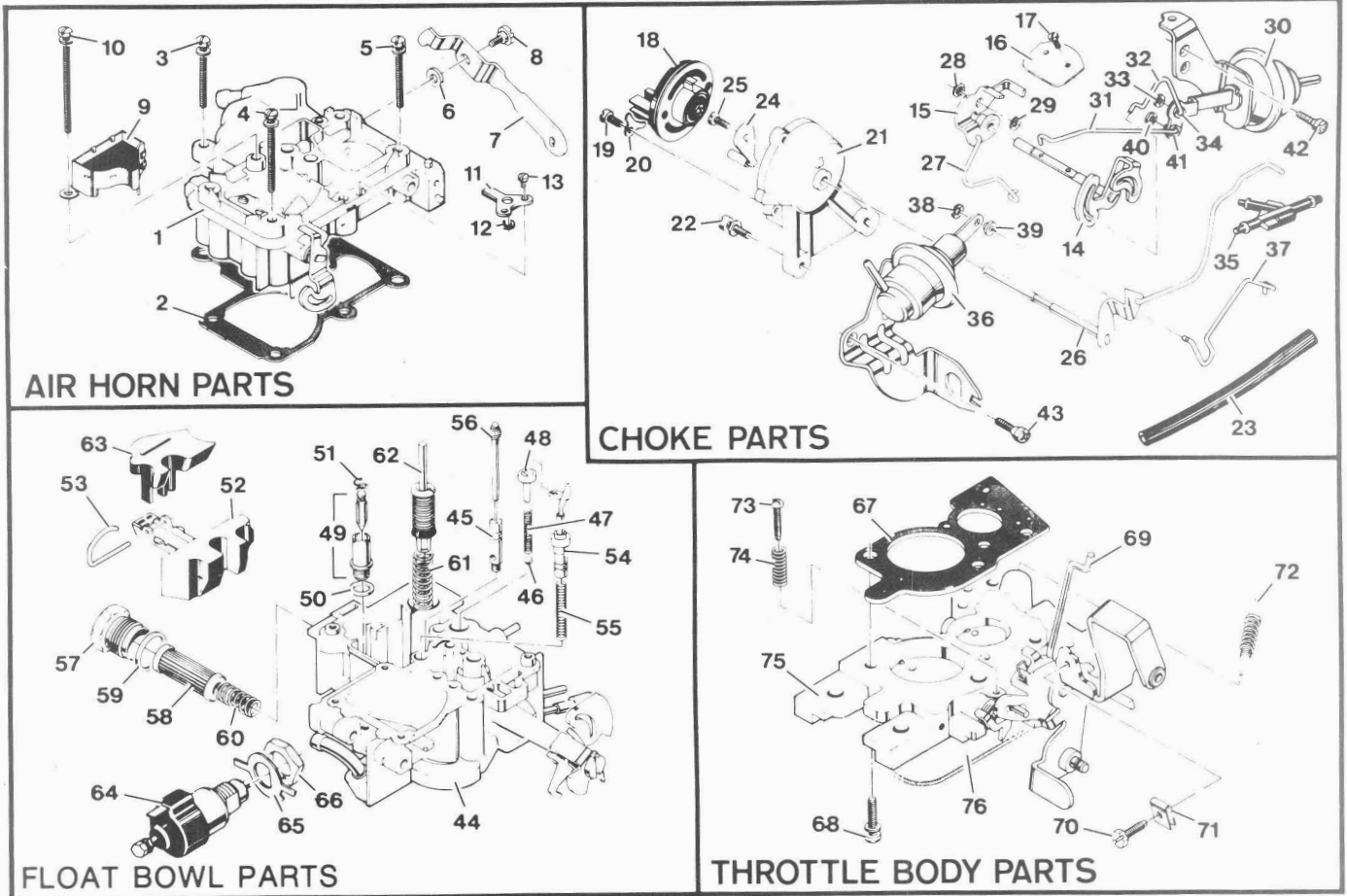
Delco Carburetor

MODEL 2SE — VARAJET II
1979 CHEVROLET MONZA

BULLETIN: 9C-3135
DATE: APRIL 1979
PAGE: 1

151 CUBIC INCH ENGINE (LONGITUDINAL)

A-Malibu; ASP-Monte Carlo; B-Impala, Caprice; F-Camaro; HSP-Monza; T-Chevette; X-Nova; Y-Corvette



PARTS SHOWN ARE FOR IDENTIFICATION ONLY. CONSULT PARTS LIST FOR CORRECT PART NAME AND NUMBER

PARTS IN ALL COLUMNS SAME — EXCEPT WHERE INDICATED

	FEDERAL HSP NON AIR COND. AUTO. TRANS.	FEDERAL HSP NON AIR COND. 4-SP. M/T	FEDERAL HSP AIR COND. AUTO. TRANS.	FEDERAL HSP AIR COND. 4-5 SP. M/T	APPLICATION
	17059674	17059675	17059676	17059677	CARBURETOR No.
	22-6088	22-6087	22-6090	22-6089	REPLACEMENT PKG. No.
	17065658				OVERHAUL KIT
	9387				POWER CARBURETOR KIT
	40-498				GASKET KIT
Illus. No.	AIR HORNS PARTS				
1	17065963	17065965	17065964	17065966	Air Horn Assembly
2	17061676				Gasket—Air Horn
3	7045442				Screw—Air Horn (Short)
4	7045444				Screw—Air Horn
5	—				Screw—Air Horn
6					
7	17057549				Pump Lever
8	7045437				Screw—Pump Lever
9	17057496				Vent Stack Assembly
10	17061983				Screw—Vent Stack Attaching
11	NONE	NONE	17061454	NONE	Idle Compensator Assembly
12	NONE	NONE	7027970	NONE	Gasket—Idle Compensator
13	NONE	NONE	17057179	NONE	Screw—Idle Compensator
—	KIT ONLY				Gasket—Air Cleaner

	17059674	17059675	17059676	17059677	CARBURETOR No.
Illus. No.	CHOKE PARTS				
14	7045494				Choke Shaft and Lever Assembly
15	17062201				Choke Lever and Bushing Assembly
16	7045276				Choke Valve
17	7045277				Screw—Choke Valve
18	17061093				Electric Stat Cover & Coil Assy.
19	17066027				Stat Cover and Retainer Kit
20	7000614				Retainer—Stat Cover
21	17057279				Choke Housing
22	7045458				Screw—Choke Housing to Thr. Body
23	17051190				Hose—Vacuum
24	17061882				Choke Lever & Contact Assy.
25	7045454				Screw—Choke Lever
26	7045451				Intermediate Choke Shaft & Lever
27	17062279				Link—Fast Idle Cam
28	7045462				Bushing—Link Inter. Choke Shaft & Lever
29	17058193				Retainer—Link Inter. Choke Shaft & Lever
30	17062293				Vacuum Brk. & Brkt.—Primary
31	17062125				Link—Air Valve
32	17062221				Link—Vacuum Brk.—Primary
33	17058193				Retainer—Link Vac. Brk. Primary
34	7045462				Bushing—Link Vac. Brk. Primary
35	—				Tee—Vacuum Hose
36	—				Vacuum Brk. & Brkt.—Secondary
37	—				Link—Vacuum Break—Secondary
38	—				Retainer—Link Vac. Brk. Secondary
39	—				Bushing—Link Vac. Brk. Secondary
40	17058193				Retainer—Link Air Valve
41	7045462				Bushing—Link Air Valve
42	7045470				Screw—Vac. Break Attach. (Top)
43	7045558				Screw—Vac. Break Attach. (Bottom)
	FLOAT BOWL PARTS				
44	17065670	17065670	17065701	17065701	Float Bowl Assembly
45	17062805				Jet—Primary Metering
46	7002117				Ball—Pump Discharge
47	7002118				Spring—Pump Discharge
48	7045351				Guide—Pump Discharge
49	35-143				Needle and Seat Assembly
50	KIT ONLY				Gasket—Needle Seat
51	7033751				Clip-Float Valve
52	17056073				Float Assembly
53	7045353				Hinge Pin-Float Assembly
54	7045359				Power Piston Assembly
55	7015439	7015439	7015439	7025907	Spring-Power Piston
56	17065665				Metering Rod and Spring Assy.
57	17061289				Filter Nut—Fuel Inlet
58	GF-470				Filter—Fuel Inlet (GF-471)
59	7024281				Gasket—Filter Nut
60	7032732				Spring—Fuel Filter
61	7042979				Spring—Pump Return
62	17061815				Pump Assembly
63	7045395				Insert—Float Bowl
64	17061814				Solenoid—Idle Stop
65	7045479				Washer—Tab Locking
66	9420169				Nut—Solenoid Retaining
	THROTTLE BODY PARTS				
67	KIT ONLY				Gasket—Throttle Body
68	17060653				Screw—Throttle Body
69	17057557				Pump Rod
70	17057491				Screw—Cam
71	17057492				Clip—Cam Screw
72	17062905				Idle Needle & Spring Assembly
73	17057276				Screw—Throttle Stop
74	7011479				Spring—Throttle Stop Screw
75	17062092				Throttle Body Assembly
76	10010208				Gasket—Flange



Delco Carburetor

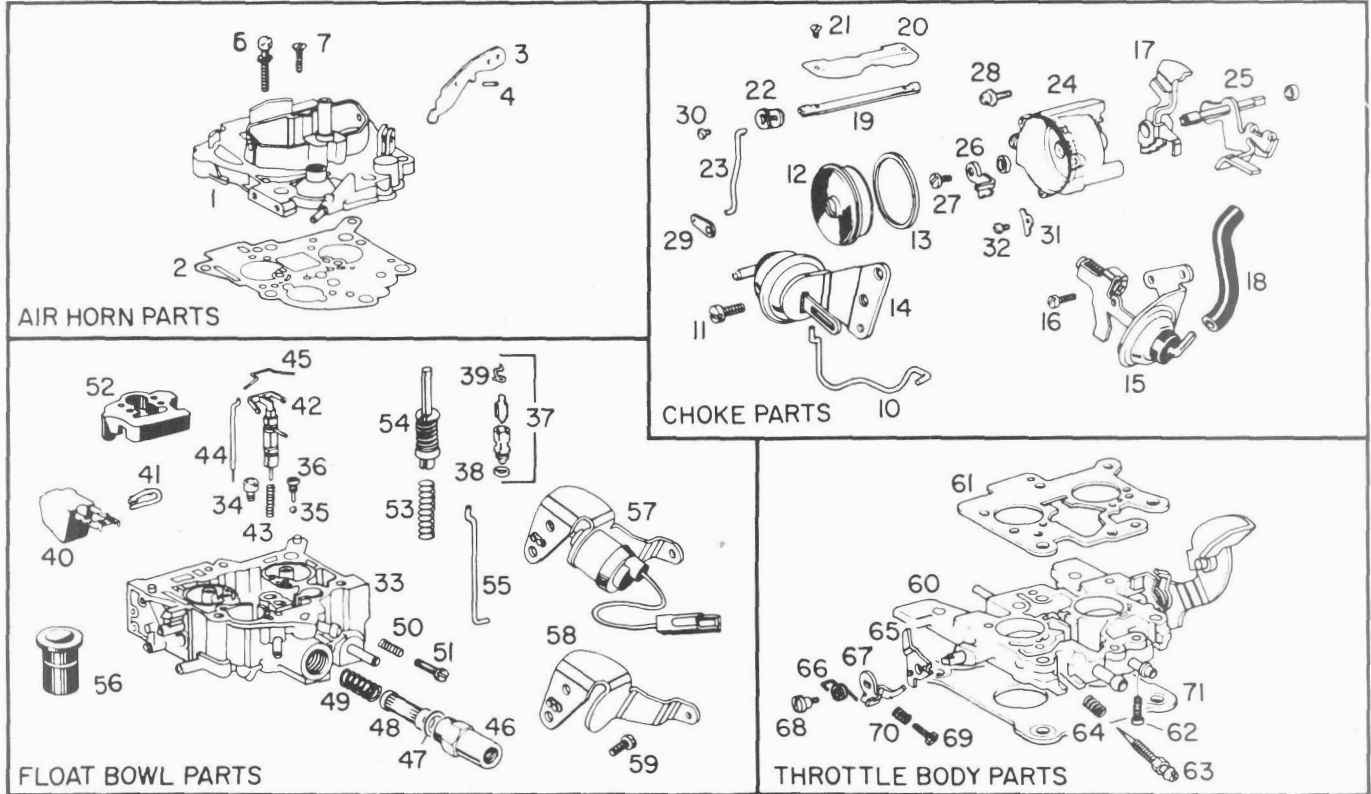
BULLETIN: 9C-3136
 DATE: APRIL 1979
 PAGE: 1

MODEL M2ME DUALJET 210

1979 CHEVROLET MONZA

196 CUBIC INCH ENGINE

A-Malibu; ASP-Monte Carlo; B-Impala, Caprice; F-Camaro; HSP-Monza; T-Chevette; X-Nova; Y-Corvette



PARTS SHOWN ARE FOR IDENTIFICATION ONLY. CONSULT PARTS LIST FOR CORRECT PART NAME AND NUMBER

PARTS IN ALL COLUMNS SAME — EXCEPT WHERE INDICATED

	FEDERAL HSP AUTO. TRANS.	APPLICATION
	17059184	CARBURETOR No.
	22-1246	REPLACEMENT PACKAGE No.
	17065365	OVERHAUL KIT
	9366	POWER CARBURETOR KIT
	40-484	GASKET SET
Illus. No.	AIR HORN PARTS	
1	17065361	Air Horn Assembly
2	7045097	Gasket—Air Horn
3	7048169	Lever—Pump Actuating
4	9428787	Roll Pin—Pump & Lockout Lever Hinge
5	—	Screw—Air Horn
6	7014699	Screw—Air Horn
7	7031105	Screw—Air Horn
8	—	Metering Rod—Secondary
9	—	Sec. Metering Rod Holder Kit
—	—	Air Valve Spring & Cam Kit
	CHOKE PARTS	
10	7045092	Link—Aux Vacuum Break
11	7043682	Screw—Aux. Vacuum Break Mounting

Illus. No.	CHOKE PARTS (Continued)	CARBURETOR NO.
12	Stat Cover, Coil & Gasket Assy.	17059184
12	17062336	
13	NONE	
14	17060808	
15	Vacuum Break Control & Bracket Assy.	
16	17062257	
16	Aux. Vacuum Break Control & Bracket Assy.	
17	17050732	
17	Screw—Control Attaching	
18	17062377	
18	Cam—Fast Idle	
18	7026339	
19	Hose—Vacuum	
19	7038259	
19	Choke Shaft	
20	7048904	
21	Choke Valve	
21	7029866	
22	Screw—Choke Valve	
22	7031231	
23	Lever—Intermediate Choke	
23	7041472	
24	Rod—Choke	
24	17055605	
25	Choke Housing Kit	
25	17050754	
—	Inter. Choke Shaft & Lever Assy.	
—	7037569	
—	Seal—Inter. Choke Shaft	
26	7043368	
26	Seal—Choke Housing to Bowl	
—	—	
27	7019709	
27	Lever—Stat Coil	
28	7038808	
28	Screw—Coil Lever	
29	7041542	
30	Lever—Choke	
30	7029866	
31	7000614	
31	Retainer—Stat Cover	
32	7011270	
32	Screw—Stat Cover	
33	17065367	17059184
34	7031976	
34	Jet—Main Metering	
35	7002117	
36	Ball—Pump Discharge	
37	30-157	
37	Retainer—Pump Discharge Ball	
38	KIT ONLY	
38	Needle & Seat Assy.	
39	7033751	
40	7044332	
40	Pull Clip—Float Needle	
41	7041469	
41	Float Assembly	
42	17060731	
42	Hinge Pin—Float Assembly	
43	Power Piston Assembly Primary	
43	Spring—Power Piston Primary	
44	17056358	
44	Metering Rod—Primary	
45	7041459	
45	Spring—Metering Rod—Primary	
46	17051572	
46	Filter Nut—Fuel Inlet	
47	7024281	
47	Gasket—Filter Nut	
48	GF-470	
48	Filter—Fuel Inlet	
49	7032732	
49	Spring—Fuel Filter	
50	7003176	
50	Spring—Idle Stop Screw	
51	7002121	
51	Screw—Idle Stop	
52	7041471	
52	Insert—Float Bowl	
—	17061822	
—	Solenoid & Bracket Assembly	
53	7042979	
53	Spring—Pump Return	
54	17051374	
54	Pump Assembly	
55	17056437	
55	Rod—Pump	
56	17051796	
56	Insert—Aneroid Cavity	
58	7043682	
58	Screw—Bracket Attaching	
59	Bracket—Throttle Return	
60	17062016	17059184
60	Throttle Body Assembly	
61	KIT ONLY	
61	Gasket—Throttle Body	
62	7035790	
62	Screw—Throttle Body	
63	17062905	
63	Idle Needle & Spring Assembly	
64	—	
64	Spring—Idle Needle	
65	7041497	
65	Lever—Cam Follower	
66	17051494	
66	Spring—Cam Lever	
67	7041498	
67	Fast Idle Lever	
68	7036079	
68	Screw—Fast Idle Lever Attaching	
69	7044794	
69	Screw—Fast Idle Adjusting	
70	7029900	
70	Spring—Fast Idle Screw	
71	1259038	
71	Gasket—Flange	



Delco Carburetor

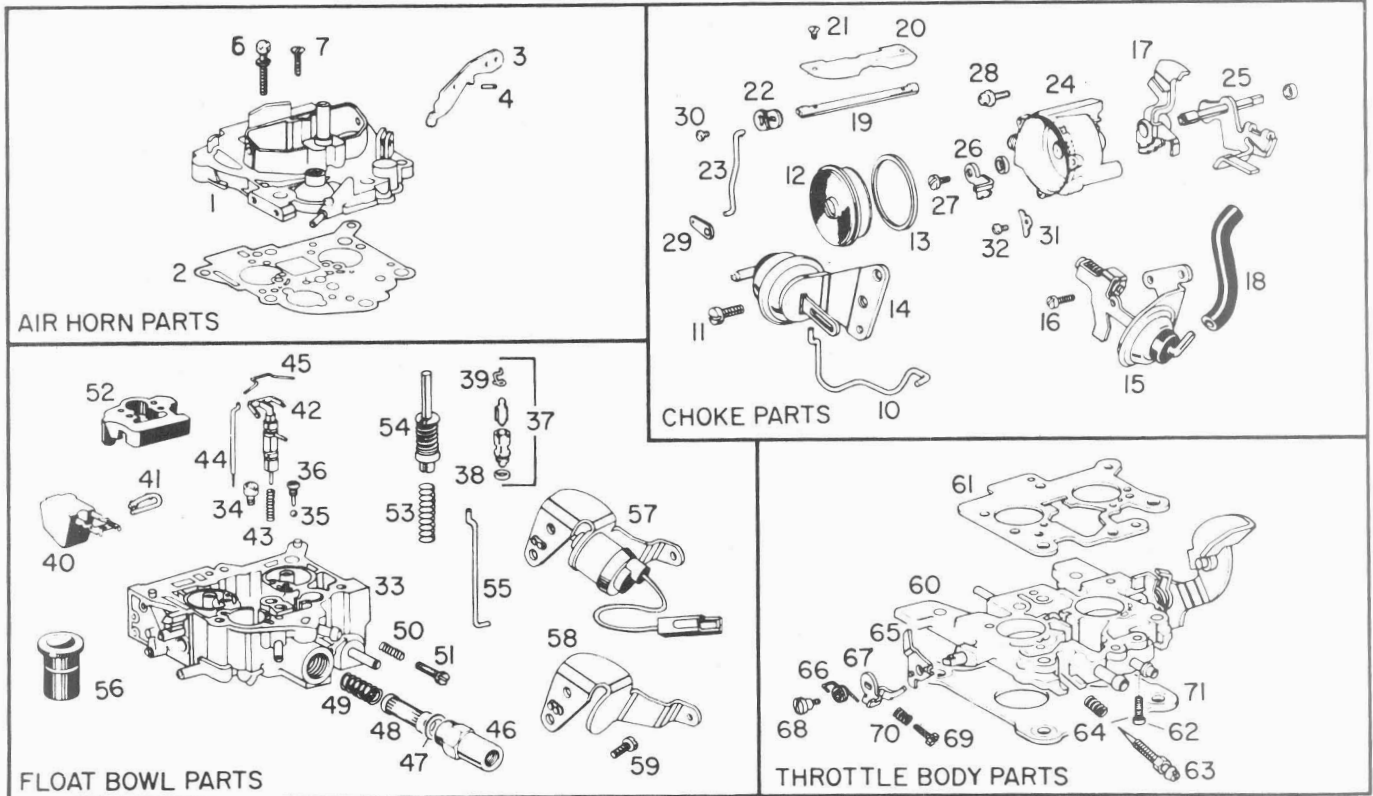
BULLETIN: 9C-3137
 DATE: APRIL 1979
 PAGE: 1

MODEL M2ME DUALJET 210

1979 CHEVROLET MONZA

196 CUBIC INCH ENGINE

A-Malibu; ASP-Monte Carlo; B-Impala, Caprice; F-Camaro; HSP-Monza; T-Chevette; X-Nova; Y-Corvette



PARTS SHOWN ARE FOR IDENTIFICATION ONLY. CONSULT PARTS LIST FOR CORRECT PART NAME AND NUMBER

PARTS IN ALL COLUMNS SAME — EXCEPT WHERE INDICATED

	FEDERAL HSP 4-5 SPEED MANUAL TRANS. A/C NON A/C	FEDERAL HSP NON A/C AUTO. TRANS.	
	17059193	17059194	CARBURETOR No.
	22-1245	22-1246	REPLACEMENT PACKAGE No.
	17065365		OVERHAUL KIT
	9366		POWER CARBURETOR KIT
	40-484		GASKET SET
Illus. No.	AIR HORN PARTS		
1	17065361		Air Horn Assembly
2	7045097		Gasket—Air Horn
3	7048169		Lever—Pump Actuating
4	9428787		Roll Pin—Pump & Lockout Lever Hinge
5	—		Screw—Air Horn
6	7014699		Screw—Air Horn
7	7031105		Screw—Air Horn
8	—		Metering Rod—Secondary
9	—		Sec. Metering Rod Holder Kit
—	—		Air Valve Spring & Cam Kit
	CHOKE PARTS		
10	7045092		Link—Aux. Vac. Break
11	7043682		Screw—Aux. Vac. Break Mounting

	17059193	17059194	CARBURETOR No.
Illus. No.	CHOKE PARTS (Continued)		
12			Stat Cover Coil & Gasket Assy.
12	17062336		Electric Stat Cover & Coil Assy.
13	NONE		Gasket—Stat Cover
14	17060808		Vac. Break Control & Brkt. Assy.
15	17062251		Aux. Vacuum Break Control & Brkt. Assy.
16	17050732		Screw—Control Attaching
17	17056766	17062377	Cam—Fast Idle
18	7026339		Hose—Vacuum
19	7038259		Choke Shaft
20	7048904		Choke Valve
21	7029866		Screw—Choke Valve
22	7031231		Lever—Intermediate Choke
23	7041472		Rod—Choke
24	17055605		Choke Housing Kit
25	17050754		Inter. Choke Shaft & Lever Assy.
—	7037569		Seal—Inter. Choke Shaft
—	—		Seal—Choke Hsg. to Bowl
26	7043368		Lever—Stat Coil
27	7019709		Screw—Coil Lever
28	7038808		Screw—Choke Hsg. to Bowl
29	7041542		Lever—Choke
30	7029866		Screw—Choke Lever
31	7000614		Retainer—Stat Cover
32	7011270		Screw—Stat Cover
	FLOAT BOWL PARTS		
33	17065367		Float Bowl Assembly
34	7031976		Jet—Main Metering
35	7002117		Ball—Pump Discharge
36	7029849		Retainer—Pump Discharge Ball
37	30-157		Needle & Seat Assy.
38	KIT ONLY		Gasket—Needle Seat
39	7033751		Pull Clip—Float Needle
40	7044332		Float Assembly
41	7041469		Hinge Pin—Float Assembly
42	17062699	17060731	Power Piston Assembly Primary
43	—		Spring—Power Piston Primary
44	17056358		Metering Rod—Primary
45	7041459		Spring—Metering Rod—Primary
46	17051572		Filter Nut—Fuel Inlet
47	7024281		Gasket—Filter Nut
48	GF-470		Filter—Fuel Inlet
49	7032732		Spring—Fuel Filter
50	7003176		Spring—Idle Stop Screw
51	7002121		Screw—Idle Stop
52	7041471		Insert—Float Bowl
—	17061822		Solenoid Bracket Assembly
53	7042979		Spring—Pump Return
54	17051374		Pump Assembly
55	17056437		Rod—Pump
56	17051796		Insert—Aneroid Cavity
58	7043682		Screw—Bracket Attaching
59	—	7043617	Bracket—Throttle Return
	THROTTLE BODY PARTS		
60	17062016		Throttle Body Assembly
61	KIT ONLY		Gasket—Throttle Body
62	7035790		Screw—Throttle Body
63	17062905		Idle Needle & Spring Assembly
64	—		Spring—Idle Needle
65	7041497		Lever—Cam Follower
66	17051494		Spring—Cam Lever
67	7041498		Fast Idle Lever
68	7036079		Screw—Fast Idle Lever Attaching
69	7044794		Screw—Fast Idle Adjusting
70	7029900		Spring—Fast Idle Screw
71	1259038		Gasket—Flange

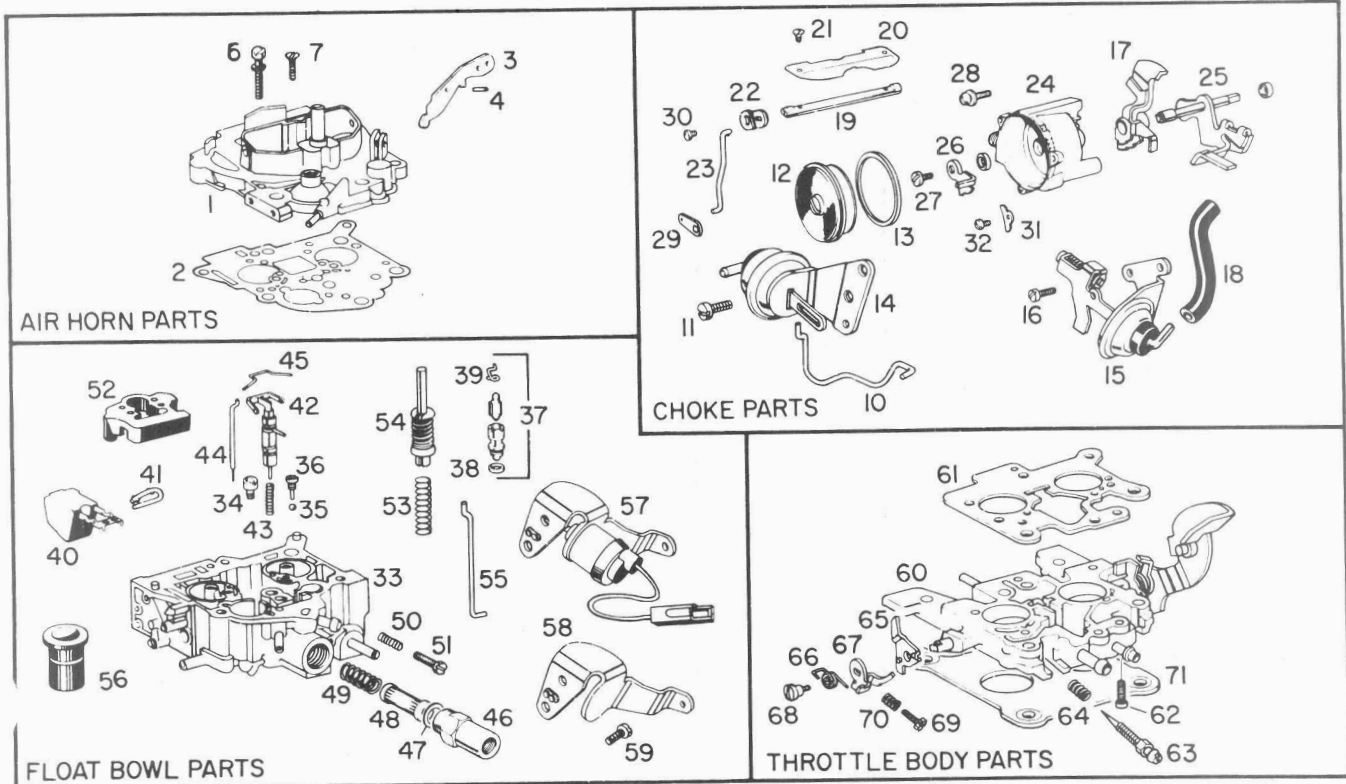


Delco Carburetor

BULLETIN: 9C-3138
 DATE: APRIL 1979
 PAGE: 1

MODEL M2ME DUALJET-210 1979 CHEVROLET CHEVELLE, MONZA, EL CAMINO & CABALLERO 200 CUBIC INCH ENGINE

A-Malibu; ASP-Monte Carlo; B-Impala, Caprice; F-Camaro; HSP-Monza; T-Chevette; X-Nova; Y-Corvette



PARTS SHOWN ARE FOR IDENTIFICATION ONLY. CONSULT PARTS LIST FOR CORRECT PART NAME AND NUMBER

PARTS IN ALL COLUMNS SAME — EXCEPT WHERE INDICATED

	FEDERAL A, ASP EL CAMINO CABALLERO NON A/C AUTO. TRANS.	FEDERAL A, ASP EL CAMINO CABALLERO NON A/C 3-SP. M/T	FEDERAL A, ASP EL CAMINO CABALLERO AIR COND. AUTO. TRANS.	FEDERAL A, ASP EL CAMINO CABALLERO AIR COND. 3-SP. M/T	APPLICATION
	17059130	17059131	17059132	17059133	CARBURETOR No.
	22-3206	22-3205	22-3208	22-3207	REPLACEMENT PACKAGE No.
	17065446				OVERHAUL KIT
	9374				POWER CARBURETOR KIT
	40-489				GASKET SET
AIR HORN PARTS					
Illus. No	17065441				Air Horn Assembly
1	7045097				Gasket—Air Horn
2	7048169				Lever—Pump Actuating
3	9428787				Roll Pin—Pump & Lockout Lever Hinge
4	—				Screw—Air Horn
5	7014699				Screw—Air Horn
6	7031105				Screw—Air Horn
7	—				Metering Rod—Secondary
8	—				Sec. Metering Rod Holder Kit
9	—				Air Valve Spring & Cam Kit
—	—				
CHOKE PARTS					
10	—				Link—Aux. Vac. Break
11	—				Screw—Aux. Vac. Break Mounting

	17059130	17059131	17059132	17059133	CARBURETOR No.
Illus No.	CHOKE PARTS (Continued)				
12	—				Stat Cover Coil & Gasket Assy.
12	17061395				Electric Stat Cover & Coil Assy.
13	—				Gasket—Stat Cover
14	17056010				Vacuum Break Control & Brkt. Assy.
15	—				Aux. Vac. Break Control & Brkt. Assy.
16	17050732				Screw—Control Attaching
17	17061541				Cam—Fast Idle
18	7026339				Hose—Vacuum
19	7038259				Choke Shaft
20	7048904				Choke Valve
21	7029866				Screw—Choke Valve
22	7031231				Lever—Intermediate Choke
23	7041472				Rod—Choke
24	17055913				Choke Housing Kit
25	17050754				Inter Choke Shaft & Lever Assy.
—	7037569				Seal—Inter Choke Shaft
—	—				Seal—Choke Hsg. to Bowl
26	17056490				Lever—Stat Coil
27	7019709				Screw—Coil Lever
28	7038808				Screw—Choke Hsg. to Bowl
29	7041542				Lever—Choke
30	7029866				Screw—Choke Lever
31	7000614				Retainer—Stat Cover
32	7011270				Screw—Stat Cover
	FLOAT BOWL PARTS				
33	17065443	17065923	17065443	17065923	Float Bowl Assembly
34	7031974				Jet—Primary
35	7002117				Ball—Pump Discharge
36	7029849				Retainer—Pump Discharge Ball
37	30-151				Needle & Seat Assy
38	KIT ONLY				Gasket—Needle Seat
39	7033751				Pull Clip—Float Needle
40	7043379				Float Assembly
41	7041469				Hinge Pin—Float Assembly
42	17060824				Power Piston Assembly—Main
43	17052057				Spring—Power Piston Primary
44	17051345				Metering Rod—Main
45	7041459				Spring—Metering Rod—Primary
46	17059861				Filter Nut—Fuel Inlet
47	7024281				Gasket—Filter Nut
48	GF-471				Filter—Fuel Inlet
49	7032732				Spring Fuel Filter
50	7003176				Spring—Idle Stop Screw
51	7002121				Screw—Idle Stop
52	7041471				Insert—Float Bowl
—	—				Baffle—Float Bowl
53	7042979				Spring—Pump Return
54	7048874				Pump Assembly
55	17056437				Rod Pump
56	17051796				Insert—Aneroid & Cavity
—	NONE	NONE	17061769	17061769	Solenoid & Bracket Assembly
—	—	—	7043682	7043682	Screw—Bracket Attaching
	THROTTLE BODY PARTS				
60	17062032	17061275	17062246	17061380	Throttle Body Assembly
61	KIT ONLY				Gasket—Throttle Body
62	7035790				Screw—Throttle Body
63	17062909				Idle Needle & Spring Assembly
64	—				Spring—Idle Needle
65	7041497				Lever—Cam Follower
66	17051494				Spring—Cam Lever
67	7041498				Fast Idle Lever
68	7036079				Screw—Fast Idle Lever Attaching
69	7044794				Screw—Fast Idle Adjusting
70	7029900				Spring—Fast Idle Screw
71	14005210				Gasket—Flange

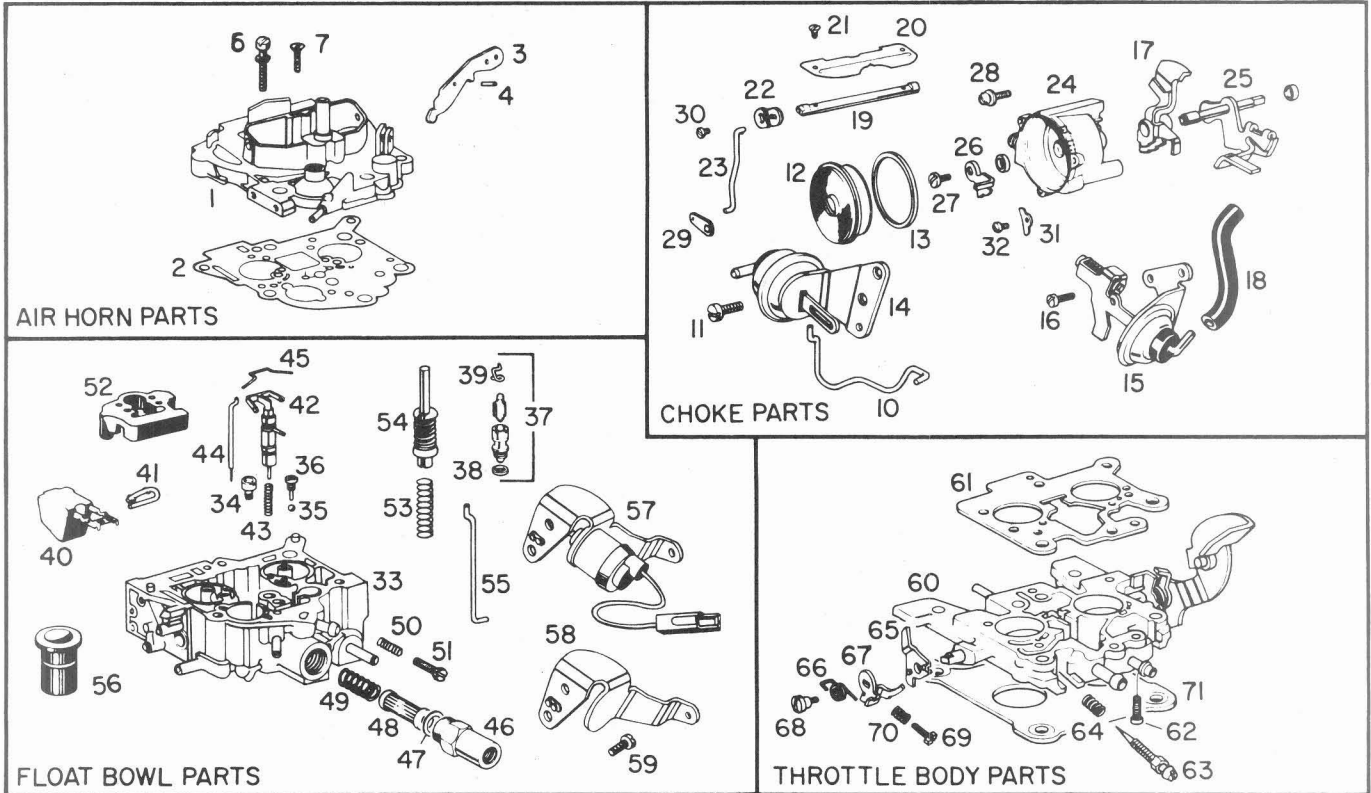


Delco Carburetor

BULLETIN: 9C-3139
 DATE: APRIL 1979
 PAGE: 1

MODEL M2ME DUALJET-210
1979 CHEVROLET CHEVELLE, MONZA
(CANADA ONLY)
200 CUBIC INCH ENGINE

A-Malibu; ASP-Monte Carlo; B-Impala, Caprice; F-Camaro; HSP-Monza; T-Chevette; X-Nova; Y-Corvette



PARTS SHOWN ARE FOR IDENTIFICATION ONLY. CONSULT PARTS LIST FOR CORRECT PART NAME AND NUMBER

PARTS IN ALL COLUMNS SAME — EXCEPT WHERE INDICATED

Illus. No.	CANADA ONLY A-SEDAN, ASP Z-94-OPTION NON A/C AUTO. TRANS.	CANADA ONLY A-SEDAN, ASP Z-94-OPTION AIR COND. AUTO. TRANS.	APPLICATION
	17059170	17059171	CARBURETOR No.
	22-3217	22-3218	REPLACEMENT PACKAGE No.
	17065446		OVERHAUL KIT
	9374		POWER CARBURETOR KIT
40-489		GASKET SET	
	AIR HORN PARTS		
1	17065441		Air Horn Assembly
2	7045097		Gasket—Air Horn
3	7048169		Lever—Pump Actuating
4	9428787		Roll Pin—Pump & Lockout Lever Hinge
5	—		Screw—Air Horn
6	7014699		Screw—Air Horn
7	7031105		Screw—Air Horn
8	—		Metering Rod—Secondary
9	—		Sec. Metering Rod Holder Kit
—	—		Air Valve Spring & Cam Kit
	CHOKE PARTS		
10	—		Link—Aux. Vacuum Break
11	—		Screw—Aux. Vacuum Break Mounting

Illus. No.	17059170	17059171	CARBURETOR No.
		CHOKE PARTS (Continued)	
12	—		Stat Cover, Coil & Gasket Assy.
12	17061395		Electric Stat Cover & Coil Assy.
13	—		Gasket—Stat Cover
14	17056010		Vacuum Break Control & Bracket Assy.
15	—		Aux. Vacuum Break Control & Bracket Assy.
16	17050732		Screw—Control Attaching
17	17061541		Cam—Fast Idle
18	7026339		Hose—Vacuum
19	7038259		Choke Shaft
20	7048904		Choke Valve
21	7029866		Screw—Choke Valve
22	7031231		Lever—Intermediate Choke
23	7041472		Rod—Choke
24	17055913		Choke Housing Kit
25	17050754		Intermediate Choke Shaft & Lever Assy.
—	7037569		Seal—Intermediate Choke Shaft
—	—		Seal—Choke Housing to Bowl
26	17056490		Lever—Stat Coil
27	7019709		Screw—Coil Lever
28	7038808		Screw—Choke Housing to Bowl
29	7041542		Lever—Choke
30	7029866		Screw—Choke Lever
31	7000614		Retainer—Stat Cover
32	7011270		Screw—Stat Cover
		FLOAT BOWL PARTS	
33	17065732		Float Bowl Assembly
34	7031974		Jet—Primary
35	7002117		Ball—Pump Discharge
36	7029849		Retainer—Pump Discharge Ball
37	30-151		Needle & Seat Assy.
38	KIT ONLY		Gasket—Needle Seat
39	7033751		Pull Clip—Float Needle
40	7043379		Float Assembly
41	7041469		Hinge Pin—Float Assembly
42	17060824		Power Piston Assembly Main
43	17052057		Spring—Power Piston Primary
44	17051345		Metering Rod—Main
45	7041459		Spring—Metering Rod—Primary
46	17059861		Filter Nut—Fuel Inlet
47	7024281		Gasket—Filter Nut
48	GF-471		Filter—Fuel Inlet
49	7032732		Spring Fuel Filter
50	7003176		Spring—Idle Stop Screw
51	7002121		Screw—Idle Stop
52	7041471		Insert—Float Bowl
—	—		Baffle—Float Bowl
53	7042979		Spring—Pump Return
54	7048874		Pump Assembly
55	17056437		Rod Pump
56	17051796		Insert—Aneroid & Cavity
—	NONE	7044300	Solenoid—Idle Stop
—	NONE	17061769	Bracket & Washer Assy.
—	NONE	7042653	Washer—Tab Locking
—	NONE	7042654	Nut—Solenoid Retaining
—	NONE	7043682	Screw—Bracket Attaching
		THROTTLE BODY PARTS	
60	17062032	17062246	Throttle Body Assembly
61	KIT ONLY		Gasket—Throttle Body
62	7035790		Screw—Throttle Body
63	17062909		Idle Needle & Spring Assembly
64	—		Spring—Idle Needle
65	7041497		Lever—Cam Follower
66	17051494		Spring—Cam Lever
67	7041498		Fast Idle Lever
68	7036079		Screw—Fast Idle Lever Attaching
69	7044794		Screw—Fast Idle Adjusting
70	7029900		Spring—Fast Idle Screw
71	14005210		Gasket—Flange



Delco Carburetor

MODEL M2ME DUALJET-210

1979 CHEVROLET MONZA

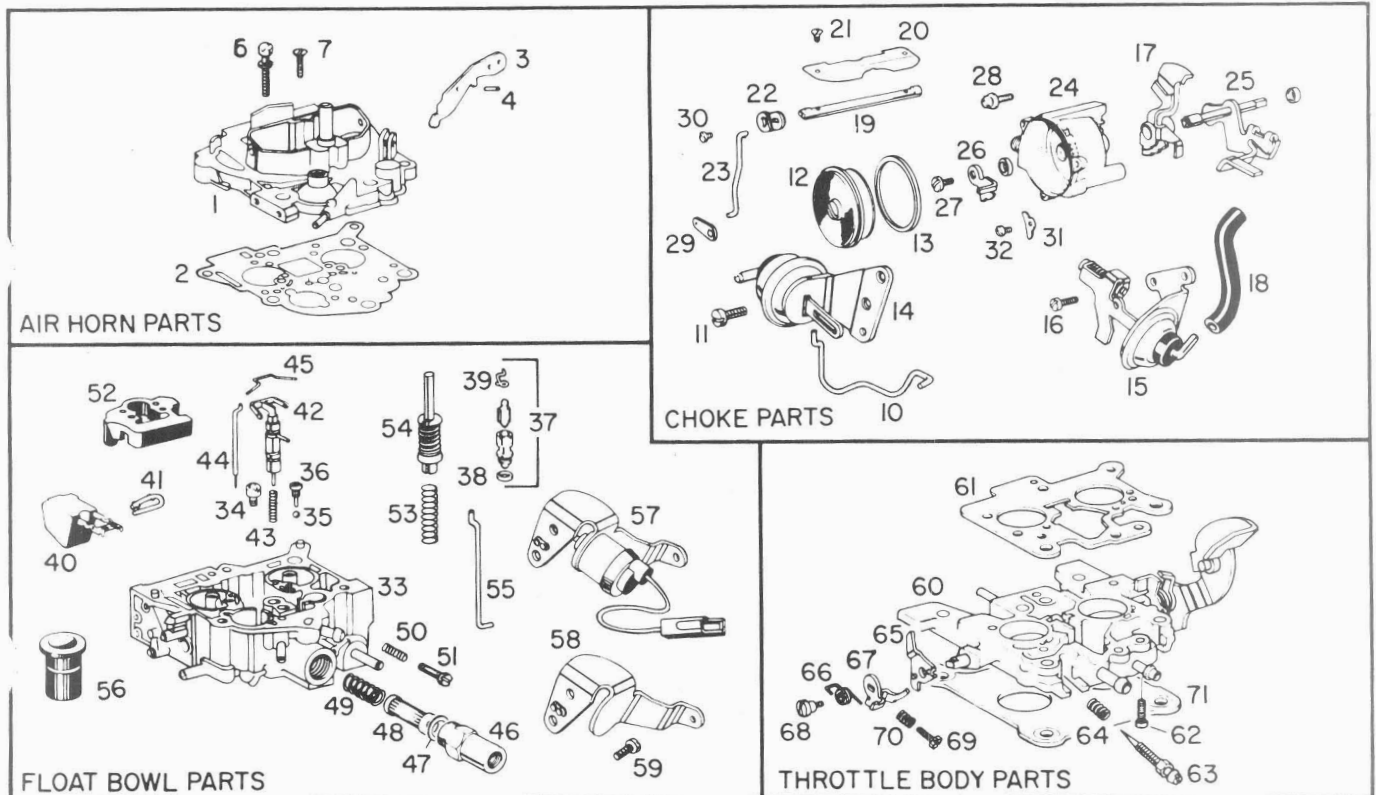
231 CUBIC INCH ENGINE (CANADA ONLY Z-94)

BULLETIN: 9C-3140

DATE: APRIL 1979

PAGE: 1

A-Malibu; ASP-Monte Carlo; B-Impala, Caprice; F-Camaro; HSP-Monza; T-Chevette; X-Nova; Y-Corvette



PARTS SHOWN ARE FOR IDENTIFICATION ONLY. CONSULT PARTS LIST FOR CORRECT PART NAME AND NUMBER

PARTS IN ALL COLUMNS SAME — EXCEPT WHERE INDICATED

	CANADA AND FEDERAL HSP AUTO. TRANS.	APPLICATION
	17059180	CARBURETOR No.
	22-1243	REPLACEMENT PACKAGE No.
	17065365	OVERHAUL KIT
	9366	POWER CARBURETOR KIT
	40-484	GASKET SET
Illus. No.	AIR HORN PARTS	
1	17065361	Air Horn Assembly
2	7045097	Gasket—Air Horn
3	7048169	Lever—Pump Actuating
4	9428787	Roll Pin—Pump & Lockout Lever Hinge
5	—	Screw—Air Horn
6	7014699	Screw—Air Horn
7	7031105	Screw—Air Horn
8	—	Metering Rod—Secondary
9	—	Sec. Metering Rod Holder Kit
—	—	Air Valve Spring & Cam Kit
	CHOKE PARTS	
10	7045092	Link—Aux. Vac. Brk.
11	7043682	Screw—Aux. Vac. Brk. Mounting

	17059180	CARBURETOR No.
Illus. No.	CHOKE PARTS (Continued)	
12		Stat Cover, Coil & Gasket Assy.
12	17062235	Electric Stat Cover & Coil Assy.
13		Gasket—Stat Cover
14	17060808	Vac. Break Control & Brkt. Assy.
15	17062251	Aux. Vacuum Break Control & Brkt. Assy.
16	17050732	Screw—Control Attaching
17	17062377	Cam—Fast Idle
18	7026339	Hose—Vacuum
19	7038259	Choke Shaft
20	7048904	Choke Valve
21	7029866	Screw—Choke Valve
22	7031231	Lever—Intermediate Choke
23	7041472	Rod—Choke
24	17055605	Choke Housing Kit
25	17050754	Inter. Choke Shaft & Lever Assy.
—	7037569	Seal—Inter. Choke Shaft
—	—	Seal—Choke Hsg. to Bowl
26	7043368	Lever—Stat Coil
27	7019709	Screw—Coil Lever
28	7038808	Screw—Choke Hsg. to Bowl
29	7041542	Lever—Choke
30	7029866	Screw—Choke Lever
31	7000614	Retainer—Stat Cover
32	7011270	Screw—Stat Cover
	FLOAT BOWL PARTS	
33	17065362	Float Bowl Assembly
34	7031976	Jet—Main Metering
35	7002117	Ball—Pump Discharge
36	7029849	Retainer—Pump Discharge Ball
37	30-157	Needle & Seat Assy.
38	KIT ONLY	Gasket—Needle Seat
39	7033751	Pull Clip—Float Needle
40	7044332	Float Assembly
41	7041469	Hinge Pin—Float Assembly
42	17062132	Power Piston Assembly Primary
43	—	Spring—Power Piston Primary
44	17056358	Metering Rod—Primary
45	7041459	Spring—Metering Rod—Primary
46	17051572	Filter Nut—Fuel Inlet
47	7024281	Gasket—Filter Nut
48	GF-470	Filter—Fuel Inlet
49	7032732	Spring—Fuel Filter
50	7003176	Spring—Idle Stop Screw
51	7002121	Screw—Idle Stop
52	7041471	Insert—Float Bowl
—	17061822	Solenoid & Bracket Assembly
53	7042979	Spring—Pump Return
54	17051374	Pump Assembly
55	17056437	Rod—Pump
56	17051796	Insert—Aneroid Cavity
58	7043682	Screw—Bracket Attaching
59	—	Bracket—Throttle Return
	THROTTLE BODY PARTS	
60	17062016	Throttle Body Assembly
61	KIT ONLY	Gasket—Throttle Body
62	7035790	Screw—Throttle Body
63	17062905	Idle Needle & Spring Assembly
64	—	Spring—Idle Needle
65	7041497	Lever—Cam Follower
66	17051494	Spring—Cam Lever
67	7041498	Fast Idle Lever
68	7036079	Screw—Fast Idle Lever Attaching
69	7044794	Screw—Fast Idle Adjusting
70	7029900	Spring—Fast Idle Screw
71	1259038	Gasket—Flange

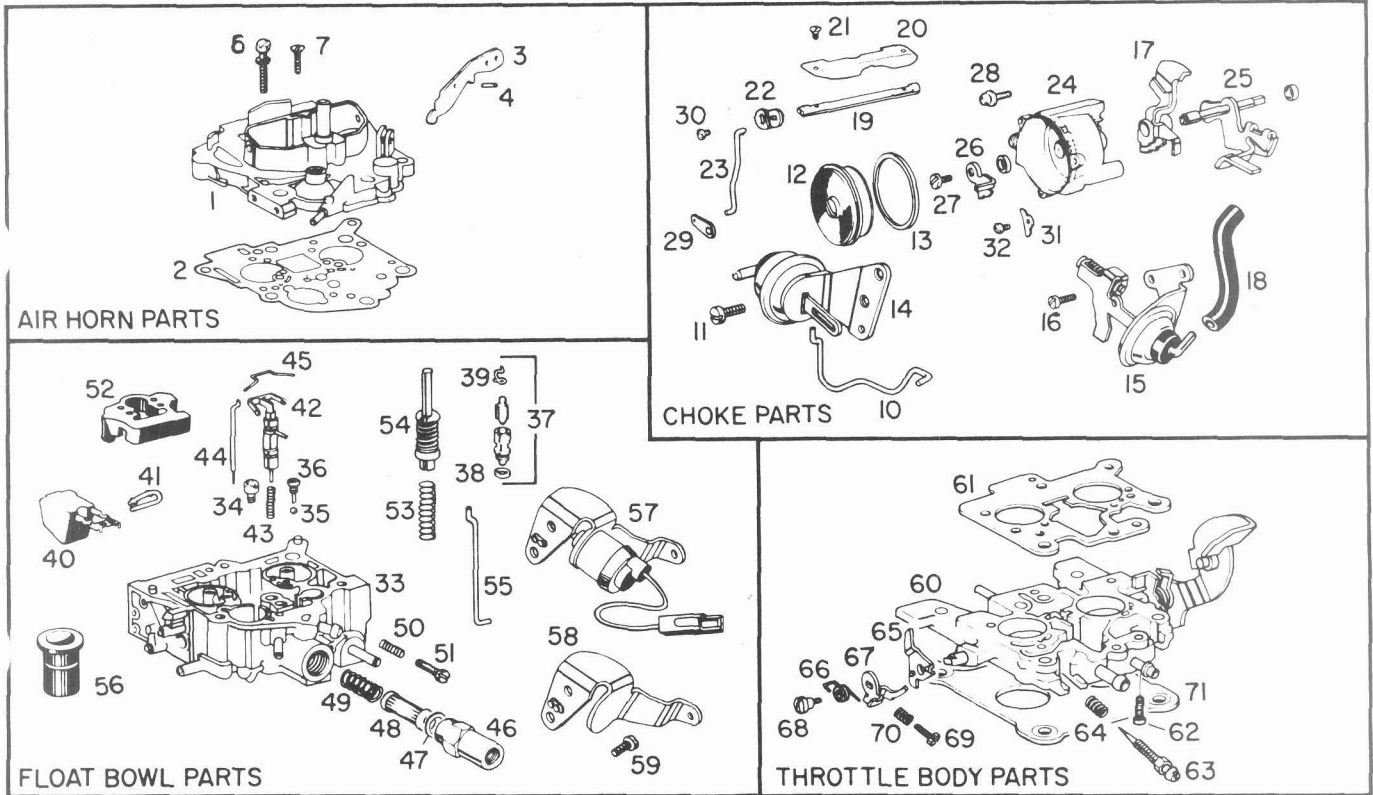


Delco Carburetor

BULLETIN: 9C-3141
DATE: APRIL 1979
PAGE: 1

MODEL M2ME DUALJET 210
1979 CHEVROLET MONTE CARLO
231 CUBIC INCH ENGINE

A-Malibu; ASP-Monte Carlo; B-Impala, Caprice; F-Camaro; HSP-Monza; T-Chevette; X-Nova; Y-Corvette



PARTS SHOWN ARE FOR IDENTIFICATION ONLY. CONSULT PARTS LIST FOR CORRECT PART NAME AND NUMBER

PARTS IN ALL COLUMNS SAME — EXCEPT WHERE INDICATED

	FEDERAL ASP NON A/C AUTO. TRANS.	APPLICATION
	17059190	CARBURETOR No.
	22-1243	REPLACEMENT PACKAGE No.
	17065365	OVERHAUL KIT
	9366	POWER CARBURETOR KIT
	40-484	GASKET SET
Illus. No.	AIR HORN PARTS	
1	17065361	Air Horn Assembly
2	7045097	Gasket—Air Horn
3	7048169	Lever—Pump Actuating
4	9428787	Roll Pin—Pump & Lockout Lever Hinge
5	—	Screw—Air Horn
6	7014699	Screw—Air Horn
7	7031105	Screw—Air Horn
8	—	Metering Rod—Secondary
9	—	Sec. Metering Rod Holder Kit
—	—	Air Valve Spring & Cam Kit
	CHOKE PARTS	
10	7045092	Link—Aux. Vac. Brk.
11	7043682	Screw—Aux. Vac. Brk. Mounting

	17059190	CARBURETOR No.
Illus. No.	CHOKE PARTS (Continued)	
12		Stat Cover, Coil & Gasket Assy.
12	17062235	Electric Stat Cover & Coil Assy.
13	NONE	Gasket—Stat Cover
14	17060808	Vac. Break Control & Brkt. Assy.
15	17060825	Aux. Vacuum Break Control & Brkt. Assy.
16	17050732	Screw—Control Attaching
17	17062377	Cam—Fast Idle
18	7026339	Hose—Vacuum
19	7038259	Choke Shaft
20	7048904	Choke Valve
21	7029866	Screw—Choke Valve
22	7031231	Lever—Intermediate Choke
23	7041472	Rod—Choke
24	17055605	Choke Housing Kit
25	17050754	Inter. Choke Shaft & Lever Assy.
—	7037569	Seal—Inter. Choke Shaft
—	—	Seal—Choke Hsg. to Bowl
26	7043368	Lever—Stat Coil
27	7019709	Screw—Coil Lever
28	7038808	Screw—Choke Hsg. to Bowl
29	7041542	Lever—Choke
30	7029866	Screw—Choke Lever
31	7000614	Retainer—Stat Cover
32	7011270	Screw—Stat Cover
FLOAT BOWL PARTS		
33	17065362	Float Bowl Assembly
34	7031976	Jet—Main Metering
35	7002117	Ball—Pump Discharge
36	7029849	Retainer—Pump Discharge Ball
37	30-157	Needle & Seat Assy.
38	KIT ONLY	Gasket—Needle Seat
39	7033751	Pull Clip—Float Needle
40	7044332	Float Assembly
41	7041469	Hinge Pin—Float Assembly
42	17062132	Power Piston Assembly Primary
43		Spring—Power Piston Primary
44	17056358	Metering Rod—Primary
45	7041459	Spring—Metering Rod—Primary
46	17051572	Filter Nut—Fuel Inlet
47	7024281	Gasket—Filter Nut
48	GF-470	Filter—Fuel Inlet
49	7032732	Spring—Fuel Filter
50	7003176	Spring—Idle Stop Screw
51	7002121	Screw—Idle Stop
52	7041471	Insert—Float Bowl
—	—	Solenoid Bracket Assembly
53	7042979	Spring—Pump Return
54	17051374	Pump Assembly
55	17056437	Rod—Pump
56	17051796	Insert—Aneroid Cavity
58	7043682	Screw—Bracket Attaching
59	7043617	Bracket—Throttle Return
THROTTLE BODY PARTS		
60	17062016	Throttle Body Assembly
61	KIT ONLY	Gasket—Throttle Body
62	7035790	Screw—Throttle Body
63	17062905	Idle Needle
64	—	Spring—Idle Needle
65	7041497	Lever—Cam Follower
66	17051494	Spring—Cam Lever
67	7041498	Fast Idle Lever
68	7036079	Screw—Fast Idle Lever Attaching
69	7044794	Screw—Fast Idle Adjusting
70	7029900	Spring—Fast Idle Screw
71	1259038	Gasket—Flange



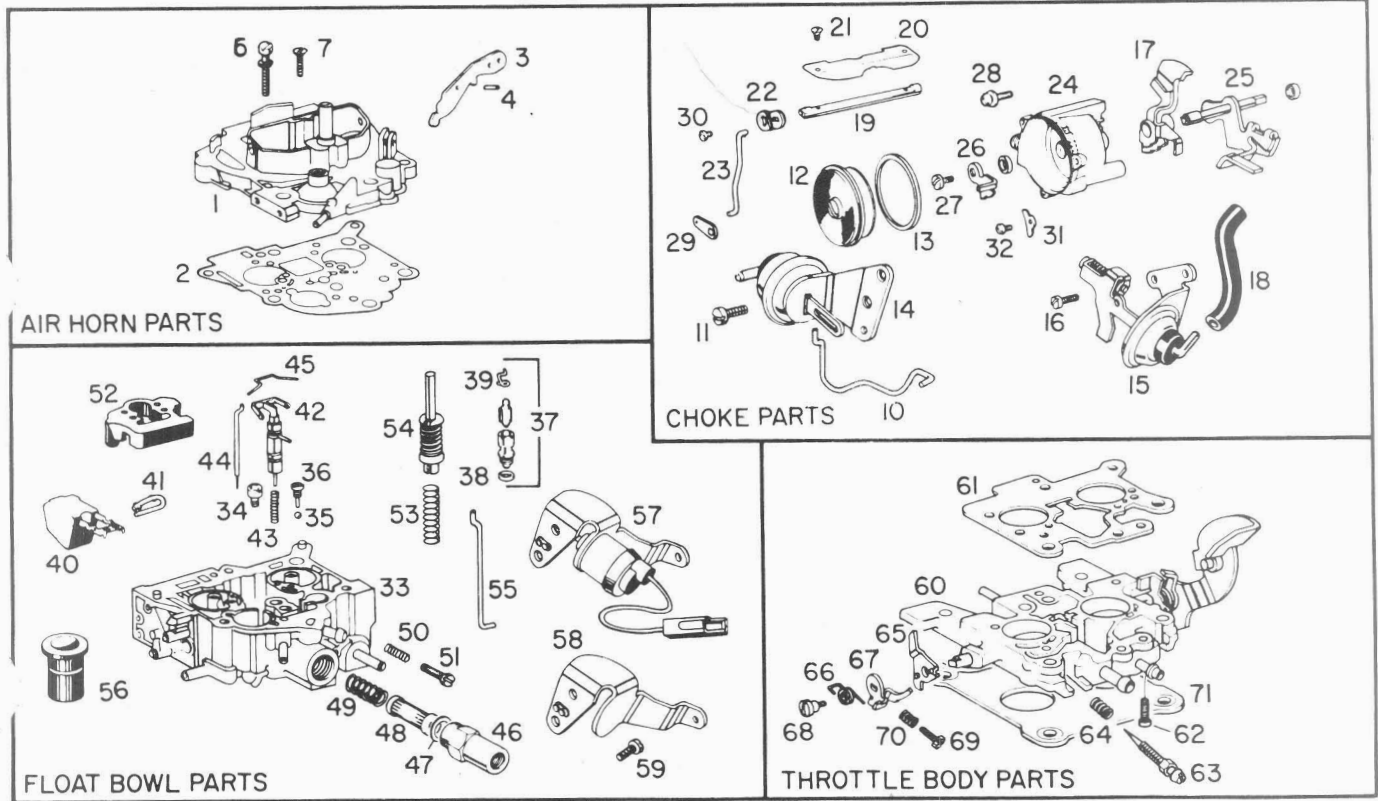
Delco Carburetor

BULLETIN: 9C-3142
DATE: APRIL 1979
PAGE: 1

MODEL M2ME DUALJET 210

1979 CHEVROLET MALIBU, MONTE CARLO AND MONZA 231 CUBIC INCH ENGINE

A-Malibu; ASP-Monte Carlo; B-Impala, Caprice; F-Camaro; HSP-Monza; T-Chevette; X-Nova; Y-Corvette



PARTS SHOWN ARE FOR IDENTIFICATION ONLY. CONSULT PARTS LIST FOR CORRECT PART NAME AND NUMBER

PARTS IN ALL COLUMNS SAME — EXCEPT WHERE INDICATED

	ALTITUDE A-SEDAN HSP, ASP A/C NON A/C AUTO. TRANS. APPLICATION	
	17059196	CARBURETOR No.
	22-1250	REPLACEMENT PACKAGE No.
	17065235	OVERHAUL KIT
	9366	POWER CARBURETOR KIT
	40-484	GASKET SET
Illus. No.	AIR HORN PARTS	
1	17065715	Air Horn Assembly
2	7045097	Gasket—Air Horn
3	7048169	Lever—Pump Actuating
4	9428787	Roll Pin—Pump & Lockout Lever Hinge
5	—	Screw—Air Horn
6	7014699	Screw—Air Horn
7	7031105	Screw—Air Horn
8	—	Metering Rod—Secondary
9	—	Sec. Metering Rod Holder Kit
—	—	Air Valve Spring & Cam Kit
	CHOKE PARTS	
10	7045092	Link—Aux. Vac. Brk.
11	7043682	Screw—Aux. Vac. Brk. Mounting

	17059196	CARBURETOR No.
Illus. No.	CHOKE PARTS (Continued)	
12		Stat Cover, Coil & Gasket Assy.
12	17062235	Electric Stat Cover & Coil Assy.
13		Gasket—Stat Cover
14	17060808	Vac. Break Control & Brkt. Assy.
15	17062251	Aux. Vacuum Break Control & Brkt. Assy.
16	17050732	Screw—Control Attaching
17	17062377	Cam—Fast Idle
18	7026339	Hose—Vacuum
19	7038259	Choke Shaft
20	7048904	Choke Valve
21	7029866	Screw—Choke Valve
22	7031231	Lever—Intermediate Choke
23	7041472	Rod—Choke
24	17055605	Choke Housing Kit
25	17050754	Inter. Choke Shaft & Lever Assy.
—	7037569	Seal—Inter. Choke Shaft
—	—	Seal—Choke Hsg. to Bowl
26	7043368	Lever—Stat Coil
27	7019709	Screw—Coil Lever
28	7038808	Screw—Choke Hsg. to Bowl
29	7041542	Lever—Choke
30	7029866	Screw—Choke Lever
31	7000614	Retainer—Stat Cover
32	7011270	Screw—Stat Cover
FLOAT BOWL PARTS		
33	17065789	Float Bowl Assembly
34	7031975	Jet—Main Metering
35	7002117	Ball—Pump Discharge
36	7029849	Retainer—Pump Discharge Ball
37	30-157	Needle & Seat Assy.
38	KIT ONLY	Gasket—Needle Seat
39	7033751	Pull Clip—Float Needle
40	7044332	Float Assembly
41	7041469	Hinge Pin—Float Assembly
42	17062132	Power Piston Assembly Primary
43		Spring—Power Piston Primary
44	17057755	Metering Rod—Primary
45	7041459	Spring—Metering Rod—Primary
46	17051572	Filter Nut—Fuel Inlet
47	7024281	Gasket—Filter Nut
48	GF-470	Filter—Fuel Inlet
49	7032732	Spring—Fuel Filter
50	7003176	Spring—Idle Stop Screw
51	7002121	Screw—Idle Stop
52	7041471	Insert—Float Bowl
—	—	Baffle—Float Bowl
53	7042979	Spring—Pump Return
54	17051374	Pump Assembly
55	17056437	Rod—Pump
56	17051796	Insert—Aneroid Cavity
58	7043682	Screw—Bracket Attaching
59	7043617	Bracket—Throttle Return
THROTTLE BODY PARTS		
60	17062016	Throttle Body Assembly
61	KIT ONLY	Gasket—Throttle Body
62	7035790	Screw—Throttle Body
63	17062905	Idle Needle
64	—	Spring—Idle Needle
65	7041497	Lever—Cam Follower
66	17051494	Spring—Cam Lever
67	7041498	Fast Idle Lever
68	7036079	Screw—Fast Idle Lever Attaching
69	7044794	Screw—Fast Idle Adjusting
70	7029900	Spring—Fast Idle Screw
71	1259038	Gasket—Flange

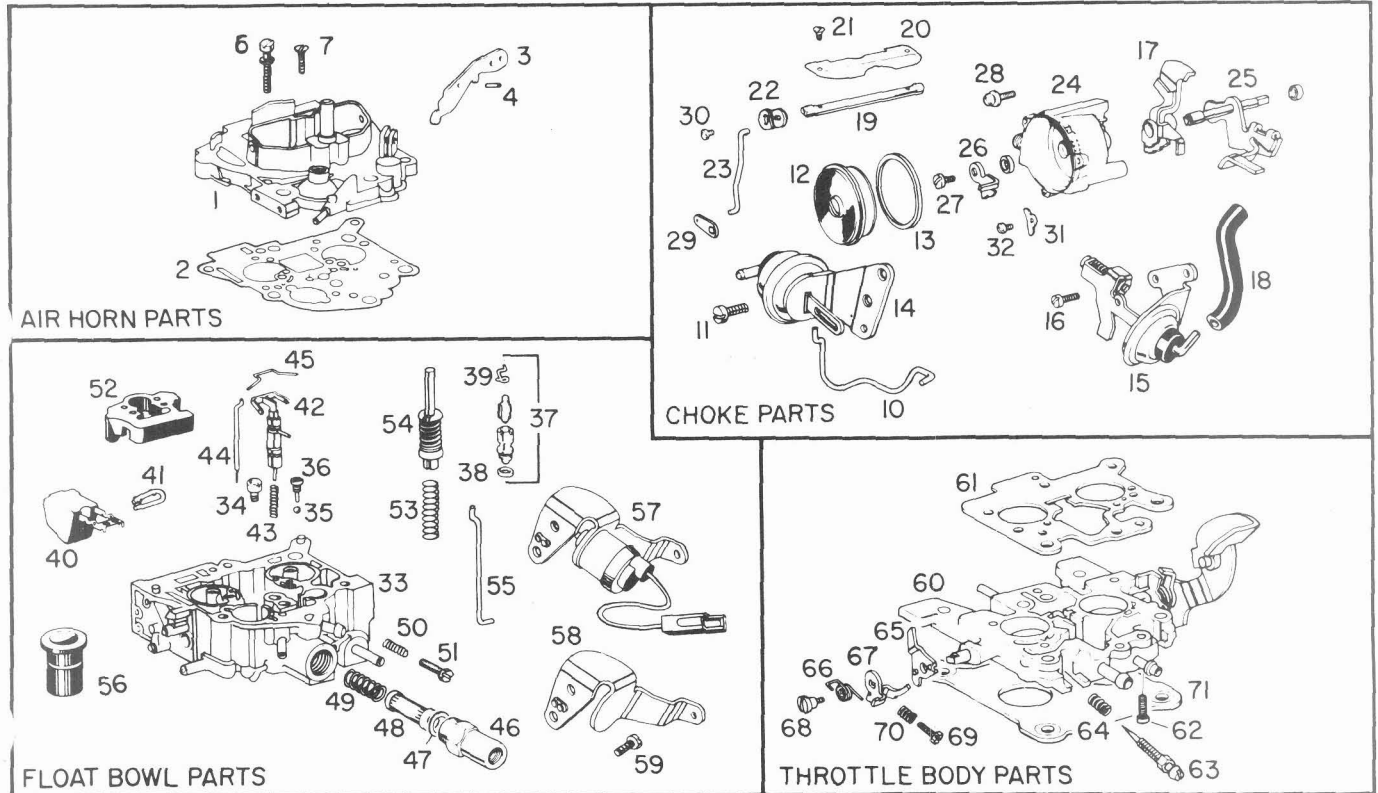


Delco Carburetor

MODEL M2ME DUALJET 210
1979 CHEVROLET MONZA
231 CUBIC INCH ENGINE

BULLETIN: 9C-3143
DATE: APRIL 1979
PAGE: 1

A-Malibu; ASP-Monte Carlo; B-Impala, Caprice; F-Camaro; HSP-Monza; T-Chevette; X-Nova; Y-Corvette



PARTS SHOWN ARE FOR IDENTIFICATION ONLY. CONSULT PARTS LIST FOR CORRECT PART NAME AND NUMBER

PARTS IN ALL COLUMNS SAME — EXCEPT WHERE INDICATED

	CALIF. MAN. TRANS. HSP 4-5 SPEED A/C NON A/C	APPLICATION
	17059491	CARBURETOR No.
	22-1249	REPLACEMENT PACKAGE No.
	17065718	OVERHAUL KIT
	9366	POWER CARBURETOR KIT
	40-484	GASKET SET
Illus. No.	AIR HORN PARTS	
1	17065715	Air Horn Assembly
2	7045097	Gasket—Air Horn
3	7048169	Lever—Pump Actuating
4	9428787	Roll Pin—Pump & Lockout Lever Hinge
5	—	Screw—Air Horn
6	7014699	Screw—Air Horn
7	7031105	Screw—Air Horn
8	—	Metering Rod—Secondary
9	—	Sec. Metering Rod Holder Kit
—	—	Air Valve Spring & Cam Kit
	CHOKE PARTS	
10	7045092	Link—Aux. Vac. Brk.
11	7043682	Screw—Aux. Vac. Brk. Mounting

Illus. No.	CHOKE PARTS (Continued)	CARBURETOR No.
12	Stat Cover, Coil & Gasket Assy.	17059491
12	17062235	
13	NONE	
14	Gasket—Stat Cover	
14	Vac. Break Control & Brkt. Assy.	
14	17060808	
15	Aux. Vacuum Break Control & Brkt. Assy.	
16	17050732	
17	Screw—Control Attaching	
17	17062377	
18	Cam—Fast Idle	
18	7026339	
19	Hose—Vacuum	
19	7038259	
20	Choke Valve	
20	7048904	
21	Choke Valve	
21	7029866	
22	Screw—Choke Valve	
22	7031231	
23	Lever—Intermediate Choke	
23	7041472	
24	Rod—Choke	
24	17055605	
25	Choke Housing Kit	
25	17050754	
25	Inter. Choke Shaft & Lever Assy.	
—	Seal—Inter. Choke Shaft	
—	7037569	
—	Seal—Choke Hsg. to Bowl	
26	7043368	
27	Lever—Stat Coil	
27	7019709	
28	Screw—Coil Lever	
28	7038808	
29	Screw—Choke Hsg. to Bowl	
29	7041542	
30	Lever—Choke	
30	7029866	
31	Screw—Choke Lever	
31	7000614	
32	Retainer—Stat Cover	
32	7011270	
32	Screw—Stat Cover	
33	17065933	
33	Float Bowl Assembly	
34	7031977	
34	Jet—Main Metering	
35	7002117	
35	Ball—Pump Discharge	
36	7029849	
36	Retainer—Pump Discharge Ball	
37	30-157	
37	Needle & Seat Assy.	
38	KIT ONLY	
38	Gasket—Needle Seat	
39	7033751	
39	Pull Clip—Float Needle	
40	7044332	
40	Float Assembly	
41	7041469	
41	Hinge Pin—Float Assembly	
42	17062889	
42	Power Piston Assembly Primary	
43	Spring—Power Piston Primary	
44	17057757	
44	Metering Rod—Primary	
45	7041459	
45	Spring—Metering Rod—Primary	
46	17051572	
46	Filter Nut—Fuel Inlet	
47	7024281	
47	Gasket—Filter Nut	
48	GF-470	
48	Filter—Fuel Inlet	
49	7032732	
49	Spring Fuel Filter	
50	7003176	
50	Spring—Idle Stop Screw	
51	7002121	
51	Screw—Idle Stop	
52	7041471	
52	Insert—Float Bowl	
—	17061822	
—	Solenoid and Bracket Assembly	
53	7042979	
53	Spring—Pump Return	
54	17051374	
54	Pump Assembly	
55	17056437	
55	Rod—Pump	
56	17051796	
56	Insert—Aneroid Cavity	
58	Bracket—Throttle Return	
59	7043682	
59	Screw—Bracket Attaching	
60	17062845	
60	Throttle Body Assembly	
61	KIT ONLY	
61	Gasket—Throttle Body	
62	7035790	
62	Screw—Throttle Body	
63	17062905	
63	Idle Needle & Spring Assembly	
64	—	
64	Spring—Idle Needle	
65	7041497	
65	Lever—Cam Follower	
66	17051494	
66	Spring—Cam Lever	
67	7041498	
67	Fast Idle Lever	
68	7036079	
68	Screw—Fast Idle Lever Attaching	
69	7044794	
69	Screw—Fast Idle Adjusting	
70	7029900	
70	Spring—Fast Idle Screw	
71	1259038	
71	Gasket Flange	



Delco Carburetor

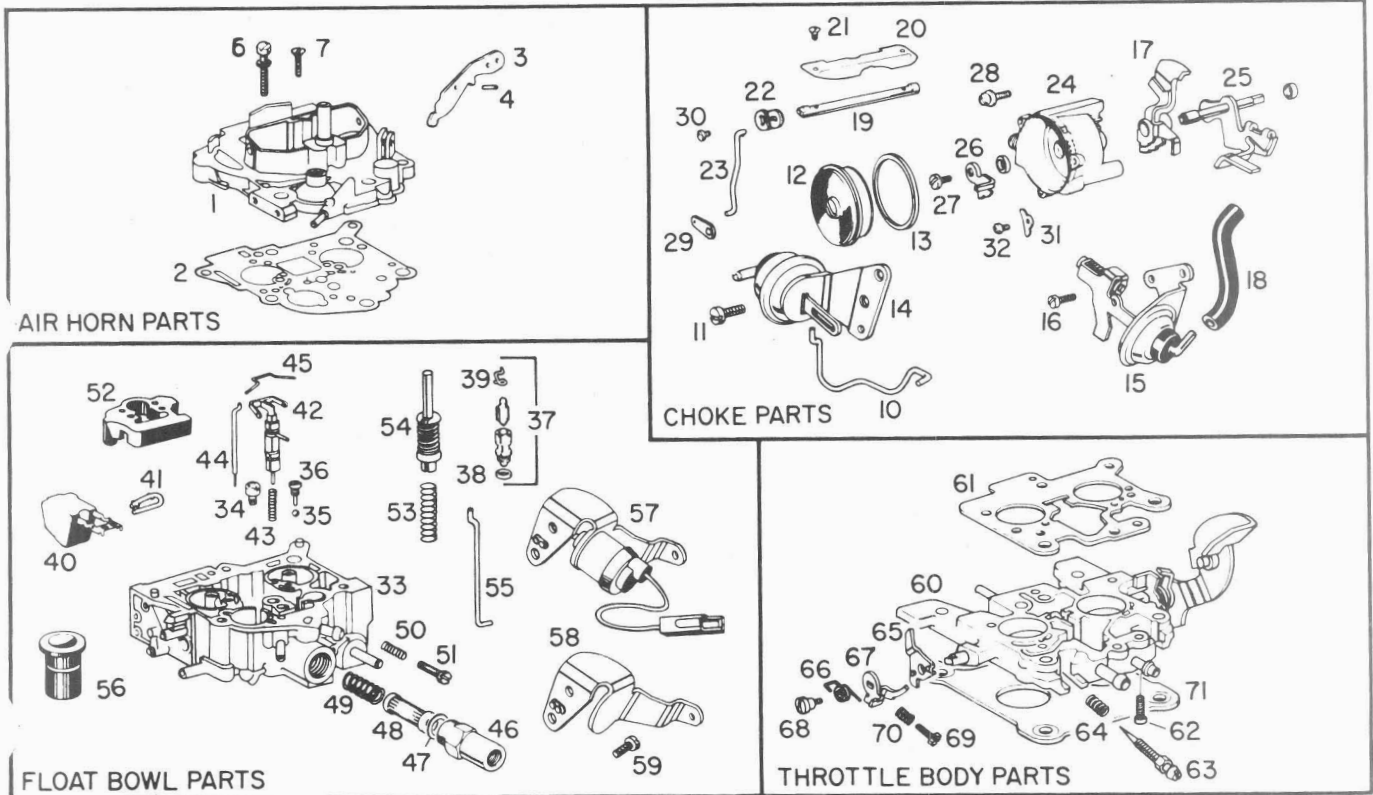
BULLETIN: 9C-3144
DATE: APRIL 1979
PAGE: 1

MODEL M2ME DUALJET 210

1979 CHEVROLET MONZA

231 CUBIC INCH ENGINE

A-Malibu; ASP-Monte Carlo; B-Impala, Caprice; F-Camaro; HSP-Monza; T-Chevette; X-Nova; Y-Corvette



PARTS SHOWN ARE FOR IDENTIFICATION ONLY. CONSULT PARTS LIST FOR CORRECT PART NAME AND NUMBER

PARTS IN ALL COLUMNS SAME — EXCEPT WHERE INDICATED

	CALIF. HSP A/C NON A/C AUTO. TRANS.	APPLICATION
	17059498	CARBURETOR No.
	22-1247	REPLACEMENT PACKAGE No.
	17065927	OVERHAUL KIT
	9366	POWER CARBURETOR KIT
	40-484	GASKET SET
Illus. No.	AIR HORN PARTS	
1	17065715	Air Horn Assembly
2	7045097	Gasket—Air Horn
3	7048169	Lever—Pump Actuating
4	9428787	Roll Pin—Pump & Lockout Lever Hinge
5	—	Screw—Air Horn
6	7014699	Screw—Air Horn
7	7031105	Screw—Air Horn
8	—	Metering Rod—Secondary
9	—	Sec. Metering Rod Holder Kit
—	—	Air Valve Spring & Cam Kit
	CHOKE PARTS	
10	7045092	Link—Aux. Vacuum Break
11	7043682	Screw—Aux. Vacuum Break Mounting

	17059498	CARBURETOR No.
Illus. No.	CHOKE PARTS (Continued)	
12		Stat Cover, Coil & Gasket Assy.
12	17062235	Electric Stat Cover & Coil Assy.
13	NONE	Gasket—Stat Cover
14	17060808	Vacuum Break Control & Bracket Assy.
15	17062251	Aux. Vacuum Break Control & Bracket Assy.
16	17050732	Screw—Control Attaching
17	17062377	Cam—Fast Idle
18	7026339	Hose—Vacuum
19	7038259	Choke Shaft
20	7048904	Choke Valve
21	7029866	Screw—Choke Valve
22	7031231	Lever—Intermediate Choke
23	7041472	Rod—Choke
24	17055605	Choke Housing Kit
25	17050754	Inter. Choke Shaft & Lever Assy.
—	7037569	Seal—Inter. Choke Shaft
—	—	Seal—Choke Housing to Bowl
26	7043368	Lever—Stat Coil
27	7019709	Screw—Coil Lever
28	7038808	Screw—Choke Housing to Bowl
29	7041542	Lever—Choke
30	7029866	Screw—Choke Lever
31	7000614	Retainer—Stat Cover
32	7011270	Screw—Stat Cover
	FLOAT BOWL PARTS	
33	17065933	Float Bowl Assembly
34	7031974	Jet—Main Metering
35	7002117	Ball—Pump Discharge
36	7029849	Retainer—Pump Discharge Ball
37	30-157	Needle & Seat Assy.
38	KIT ONLY	Gasket—Needle Seat
39	7033751	Pull Clip—Float Needle
40	7044332	Float Assembly
41	7041469	Hinge Pin—Float Assembly
42	17062846	Power Piston Assembly Primary
43		Spring—Power Piston Primary
44	17057753	Metering Rod—Primary
45	7041459	Spring—Metering Rod—Primary
46	17051572	Filter Nut—Fuel Inlet
47	7024281	Gasket—Filter Nut
48	GF-470	Filter—Fuel Inlet
49	7032732	Spring—Fuel Filter
50	7003176	Spring—Idle Stop Screw
51	7002121	Screw—Idle Stop
52	7041471	Insert—Float Bowl
—	—	Baffle—Float Bowl
53	7042979	Spring—Pump Return
54	17051374	Pump Assembly
55	17056437	Rod—Pump
56	17051796	Insert—Aneroid Cavity
58	7043682	Screw—Bracket Attaching
59	7043617	Bracket—Throttle Return
	THROTTLE BODY PARTS	
60	17062845	Throttle Body Assembly
61	KIT ONLY	Gasket—Throttle Body
62	7035790	Screw—Throttle Body
63	17062905	Idle Needle & Spring Assembly
64	—	Spring—Idle Needle
65	7041497	Lever—Cam Follower
66	17051494	Spring—Cam Lever
67	7041498	Fast Idle Lever
68	7036079	Screw—Fast Idle Lever Attaching
69	7044794	Screw—Fast Idle Adjusting
70	7029900	Spring—Fast Idle Screw
71	1259038	Gasket—Flange



Delco Carburetor

MODEL M2MC DUALJET 210

1979 CHEVROLET MONTE CARLO, MALIBU, EL CAMINO AND CABALLERO

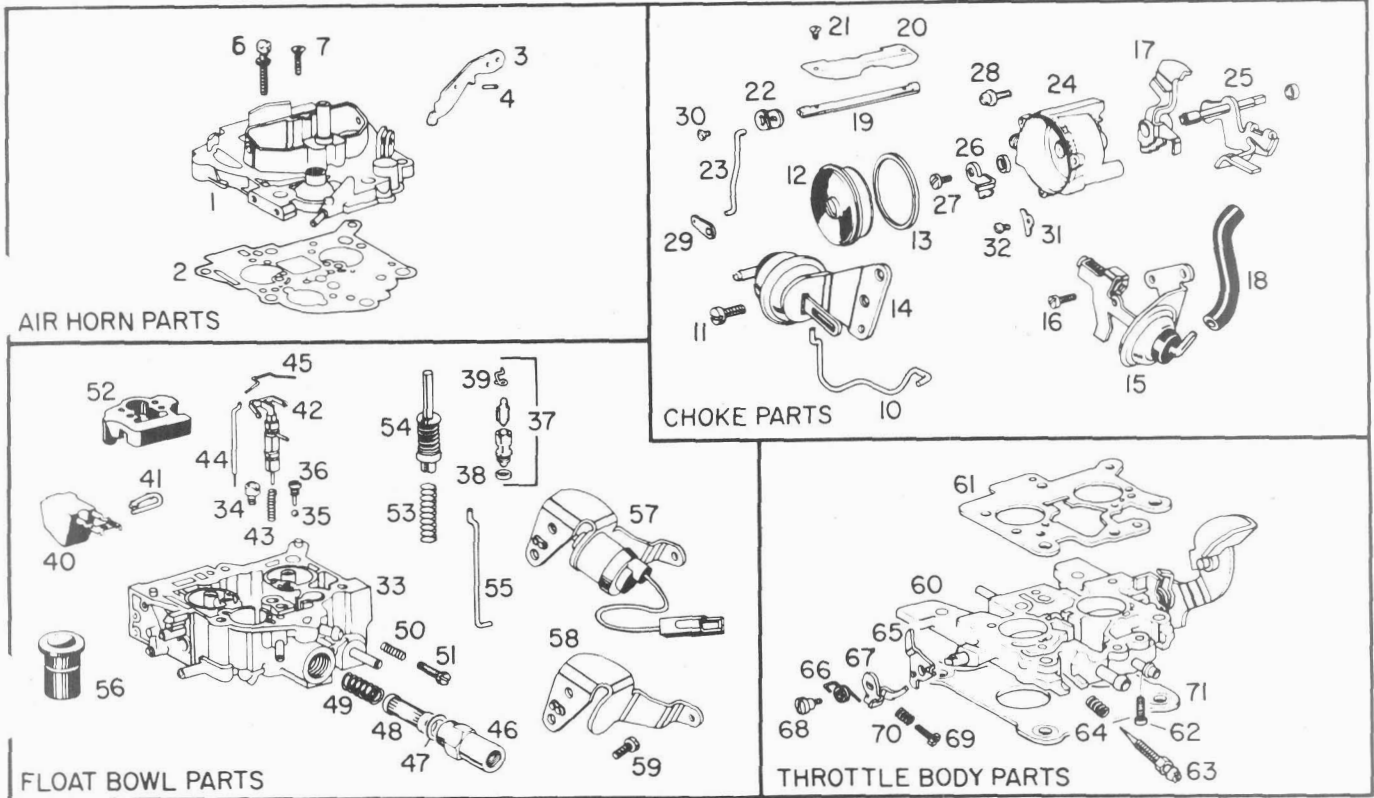
267 CUBIC INCH ENGINE

BULLETIN: 9C-3145

DATE: APRIL 1979

PAGE: 1

A-Malibu; ASP-Monte Carlo; B-Impala, Caprice; F-Camaro; HSP-Monza; T-Chevette; X-Nova; Y-Corvette



PARTS SHOWN ARE FOR IDENTIFICATION ONLY. CONSULT PARTS LIST FOR CORRECT PART NAME AND NUMBER

PARTS IN ALL COLUMNS SAME — EXCEPT WHERE INDICATED

	FEDERAL A, ASP EL CAMINO, CABALLERO NON A/C AUTO. TRANS.	FEDERAL A, ASP EL CAMINO, CABALLERO AIR COND. AUTO. TRANS.	APPLICATION
	17059108	17059110	CARBURETOR No.
	22-3238	22-3239	REPLACEMENT PACKAGE No.
	17066007		OVERHAUL KIT
	9368		POWER CARBURETOR KIT
	40-486		GASKET SET
Illus. No.	AIR HORN PARTS		
1	17065394		Air Horn Assembly
2	7045097		Gasket—Air Horn
3	7048169		Lever—Pump Actuating
4	9428787		Roll Pin—Pump & Lockout Lever Hinge
5	—		Screw—Air Horn
6	7014699		Screw—Air Horn
7	7031105		Screw—Air Horn
8	—		Metering Rod—Secondary
9	—		Sec. Metering Rod Holder Kit
—	—		Air Valve Spring & Cam Kit
	CHOKE PARTS		
10	—		Link—Aux. Vac. Brk.
11	—		Screw—Aux. Vac. Brk. Mounting

Illustr. No.	17059108	17059110	CARBURETOR NO.
12	17051918		Stat Cover, Coil & Gasket Assy.
13	17050961		Electric Stat Cover & Coil Assy.
14	17056010	7044343	Gasket—Stat Cover
15	—	7045179	Vac. Break Control & Brkt. Assy.
16	17050732		Aux. Vacuum Break Control & Brkt. Assy.
17	17061541		Screw—Control Attaching
18	7026339		Cam—Fast Idle
19	7041234		Hose—Vacuum
20	7048904		Choke Valve
21	7029866		Screw—Choke Valve
22	7031231		Lever—Intermediate Choke
23	17058457		Rod—Choke
24	17065162		Choke Housing Kit
25	17063458		Inter. Choke Shaft & Lever Assy.
26	7043367		Seal—Inter. Choke Shaft
27	7041499		Seal—Choke Hsg. to Bowl
28	7019709		Lever—Stat Coil
29	7038808		Lever—Stat Coil
30	7041542		Screw—Coil Lever
31	7029866		Screw—Coil Lever
32	7000614		Screw—Choke Lever
33	7011270		Retainer—Stat Cover
34	7031974		Screw—Stat Cover
35	7002117		Retainer—Stat Cover
36	7029849		Inter. Choke Shaft & Lever Assy.
37	30-151		Choke Housing Kit
38	KIT ONLY		Inter. Choke Shaft & Lever Assy.
39	7033751		Seal—Inter. Choke Shaft
40	7043379		Seal—Choke Hsg. to Bowl
41	7041469		Lever—Stat Coil
42	17060824		Lever—Stat Coil
43	7029529	17051705	Screw—Coil Lever
44	17051346		Screw—Coil Lever
45	7041459		Screw—Choke Hsg. to Bowl
46	17059861		Screw—Choke Hsg. to Bowl
47	7024281		Lever—Stat Coil
48	GF-471		Lever—Stat Coil
49	7032732		Screw—Coil Lever
50	7003176		Screw—Coil Lever
51	7002121		Screw—Choke Hsg. to Bowl
52	7041471		Screw—Choke Hsg. to Bowl
53	7042979		Screw—Choke Hsg. to Bowl
54	7048874		Screw—Choke Hsg. to Bowl
55	17056437		Screw—Choke Hsg. to Bowl
56	17051796		Screw—Choke Hsg. to Bowl
57	NONE		Screw—Choke Hsg. to Bowl
58	17061769		Screw—Choke Hsg. to Bowl
59	7043682		Screw—Choke Hsg. to Bowl
60	17062192	17062194	Screw—Choke Hsg. to Bowl
61	KIT ONLY		Screw—Choke Hsg. to Bowl
62	7035790		Screw—Choke Hsg. to Bowl
63	17062909		Screw—Choke Hsg. to Bowl
64	—		Screw—Choke Hsg. to Bowl
65	7041497		Screw—Choke Hsg. to Bowl
66	17051494		Screw—Choke Hsg. to Bowl
67	7041498		Screw—Choke Hsg. to Bowl
68	7036079		Screw—Choke Hsg. to Bowl
69	7044794		Screw—Choke Hsg. to Bowl
70	7029900		Screw—Choke Hsg. to Bowl
71	14005210		Screw—Choke Hsg. to Bowl
72	17051918		Screw—Choke Hsg. to Bowl
73	17050961		Screw—Choke Hsg. to Bowl
74	17056010	7044343	Screw—Choke Hsg. to Bowl
75	—	7045179	Screw—Choke Hsg. to Bowl
76	17050732		Screw—Choke Hsg. to Bowl
77	17061541		Screw—Choke Hsg. to Bowl
78	7026339		Screw—Choke Hsg. to Bowl
79	7041234		Screw—Choke Hsg. to Bowl
80	7048904		Screw—Choke Hsg. to Bowl
81	7029866		Screw—Choke Hsg. to Bowl
82	7031231		Screw—Choke Hsg. to Bowl
83	17058457		Screw—Choke Hsg. to Bowl
84	17065162		Screw—Choke Hsg. to Bowl
85	17063458		Screw—Choke Hsg. to Bowl
86	7037569		Screw—Choke Hsg. to Bowl
87	7043367		Screw—Choke Hsg. to Bowl
88	7041499		Screw—Choke Hsg. to Bowl
89	7019709		Screw—Choke Hsg. to Bowl
90	7038808		Screw—Choke Hsg. to Bowl
91	7041542		Screw—Choke Hsg. to Bowl
92	7029866		Screw—Choke Hsg. to Bowl
93	7000614		Screw—Choke Hsg. to Bowl
94	7011270		Screw—Choke Hsg. to Bowl
95	17066006		Screw—Choke Hsg. to Bowl
96	17066006		Screw—Choke Hsg. to Bowl
97	17066006		Screw—Choke Hsg. to Bowl
98	17066006		Screw—Choke Hsg. to Bowl
99	17066006		Screw—Choke Hsg. to Bowl
100	17066006		Screw—Choke Hsg. to Bowl
101	17066006		Screw—Choke Hsg. to Bowl
102	17066006		Screw—Choke Hsg. to Bowl
103	17066006		Screw—Choke Hsg. to Bowl
104	17066006		Screw—Choke Hsg. to Bowl
105	17066006		Screw—Choke Hsg. to Bowl
106	17066006		Screw—Choke Hsg. to Bowl
107	17066006		Screw—Choke Hsg. to Bowl
108	17066006		Screw—Choke Hsg. to Bowl
109	17066006		Screw—Choke Hsg. to Bowl
110	17066006		Screw—Choke Hsg. to Bowl
111	17066006		Screw—Choke Hsg. to Bowl
112	17066006		Screw—Choke Hsg. to Bowl
113	17066006		Screw—Choke Hsg. to Bowl
114	17066006		Screw—Choke Hsg. to Bowl
115	17066006		Screw—Choke Hsg. to Bowl
116	17066006		Screw—Choke Hsg. to Bowl
117	17066006		Screw—Choke Hsg. to Bowl
118	17066006		Screw—Choke Hsg. to Bowl
119	17066006		Screw—Choke Hsg. to Bowl
120	17066006		Screw—Choke Hsg. to Bowl
121	17066006		Screw—Choke Hsg. to Bowl
122	17066006		Screw—Choke Hsg. to Bowl
123	17066006		Screw—Choke Hsg. to Bowl
124	17066006		Screw—Choke Hsg. to Bowl
125	17066006		Screw—Choke Hsg. to Bowl
126	17066006		Screw—Choke Hsg. to Bowl
127	17066006		Screw—Choke Hsg. to Bowl
128	17066006		Screw—Choke Hsg. to Bowl
129	17066006		Screw—Choke Hsg. to Bowl
130	17066006		Screw—Choke Hsg. to Bowl
131	17066006		Screw—Choke Hsg. to Bowl
132	17066006		Screw—Choke Hsg. to Bowl
133	17066006		Screw—Choke Hsg. to Bowl
134	17066006		Screw—Choke Hsg. to Bowl
135	17066006		Screw—Choke Hsg. to Bowl
136	17066006		Screw—Choke Hsg. to Bowl
137	17066006		Screw—Choke Hsg. to Bowl
138	17066006		Screw—Choke Hsg. to Bowl
139	17066006		Screw—Choke Hsg. to Bowl
140	17066006		Screw—Choke Hsg. to Bowl
141	17066006		Screw—Choke Hsg. to Bowl
142	17066006		Screw—Choke Hsg. to Bowl
143	17066006		Screw—Choke Hsg. to Bowl
144	17066006		Screw—Choke Hsg. to Bowl
145	17066006		Screw—Choke Hsg. to Bowl
146	17066006		Screw—Choke Hsg. to Bowl
147	17066006		Screw—Choke Hsg. to Bowl
148	17066006		Screw—Choke Hsg. to Bowl
149	17066006		Screw—Choke Hsg. to Bowl
150	17066006		Screw—Choke Hsg. to Bowl
151	17066006		Screw—Choke Hsg. to Bowl
152	17066006		Screw—Choke Hsg. to Bowl
153	17066006		Screw—Choke Hsg. to Bowl
154	17066006		Screw—Choke Hsg. to Bowl
155	17066006		Screw—Choke Hsg. to Bowl
156	17066006		Screw—Choke Hsg. to Bowl
157	17066006		Screw—Choke Hsg. to Bowl
158	17066006		Screw—Choke Hsg. to Bowl
159	17066006		Screw—Choke Hsg. to Bowl
160	17066006		Screw—Choke Hsg. to Bowl
161	17066006		Screw—Choke Hsg. to Bowl
162	17066006		Screw—Choke Hsg. to Bowl
163	17066006		Screw—Choke Hsg. to Bowl
164	17066006		Screw—Choke Hsg. to Bowl
165	17066006		Screw—Choke Hsg. to Bowl
166	17066006		Screw—Choke Hsg. to Bowl
167	17066006		Screw—Choke Hsg. to Bowl
168	17066006		Screw—Choke Hsg. to Bowl
169	17066006		Screw—Choke Hsg. to Bowl
170	17066006		Screw—Choke Hsg. to Bowl
171	17066006		Screw—Choke Hsg. to Bowl
172	17066006		Screw—Choke Hsg. to Bowl
173	17066006		Screw—Choke Hsg. to Bowl
174	17066006		Screw—Choke Hsg. to Bowl
175	17066006		Screw—Choke Hsg. to Bowl
176	17066006		Screw—Choke Hsg. to Bowl
177	17066006		Screw—Choke Hsg. to Bowl
178	17066006		Screw—Choke Hsg. to Bowl
179	17066006		Screw—Choke Hsg. to Bowl
180	17066006		Screw—Choke Hsg. to Bowl
181	17066006		Screw—Choke Hsg. to Bowl
182	17066006		Screw—Choke Hsg. to Bowl
183	17066006		Screw—Choke Hsg. to Bowl
184	17066006		Screw—Choke Hsg. to Bowl
185	17066006		Screw—Choke Hsg. to Bowl
186	17066006		Screw—Choke Hsg. to Bowl
187	17066006		Screw—Choke Hsg. to Bowl
188	17066006		Screw—Choke Hsg. to Bowl
189	17066006		Screw—Choke Hsg. to Bowl
190	17066006		Screw—Choke Hsg. to Bowl
191	17066006		Screw—Choke Hsg. to Bowl
192	17066006		Screw—Choke Hsg. to Bowl
193	17066006		Screw—Choke Hsg. to Bowl
194	17066006		Screw—Choke Hsg. to Bowl
195	17066006		Screw—Choke Hsg. to Bowl
196	17066006		Screw—Choke Hsg. to Bowl
197	17066006		Screw—Choke Hsg. to Bowl
198	17066006		Screw—Choke Hsg. to Bowl
199	17066006		Screw—Choke Hsg. to Bowl
200	17066006		Screw—Choke Hsg. to Bowl

CHOKE PARTS (Continued)

THRITTLE BODY PARTS

FLOAT BOWL PARTS

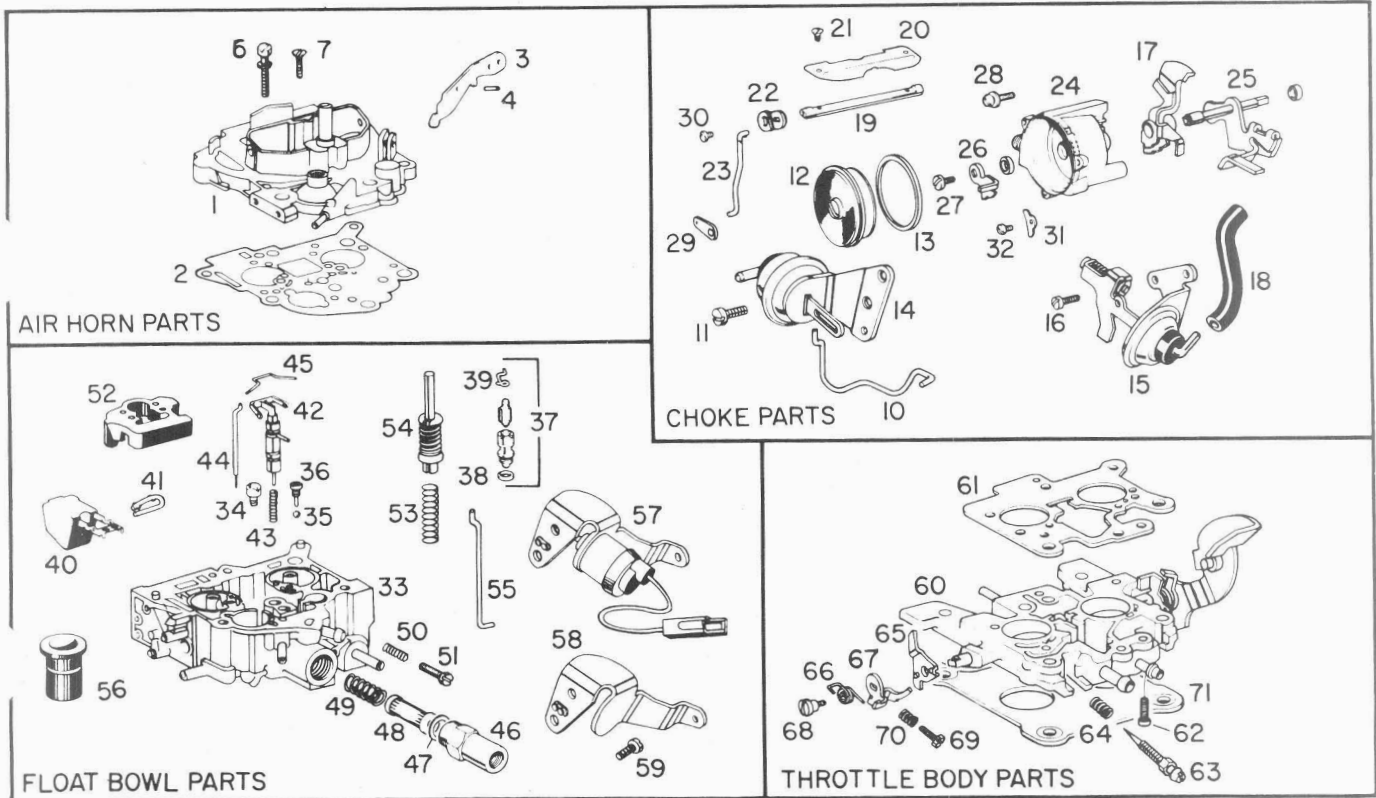


Delco Carburetor

BULLETIN: 9C-3146
 DATE: APRIL 1979
 PAGE: 1

MODEL M2MC DUALJET-210
1979 CHEVROLET, CAMARO, NOVA, MONZA
350 CUBIC INCH ENGINE
(CANADA ONLY Z-94 OPTION)

A-Malibu; ASP-Monte Carlo; B-Impala, Caprice; F-Camaro; HSP-Monza; T-Chevette; X-Nova; Y-Corvette



PARTS SHOWN ARE FOR IDENTIFICATION ONLY. CONSULT PARTS LIST FOR CORRECT PART NAME AND NUMBER

PARTS IN ALL COLUMNS SAME — EXCEPT WHERE INDICATED

	FEDERAL B, F, HSP, X NON A/C AUTO. TRANS.	FEDERAL B, F, ASP, X NON A/C 3-SP. M/T	FEDERAL B, F, HSP, X AIR COND. AUTO. TRANS.	FEDERAL F AND X AIR COND. 3-SP. M/T	APPLICATION
	17059134	17059135	17059136	17059137	CARBURETOR No.
	22-3199	22-3200	22-3201	22-3202	REPLACEMENT PACKAGE No.
	17065404				OVERHAUL KIT
	9369				POWER CARBURETOR KIT
	40-486				GASKET SET
Illus. No.	AIR HORN PARTS				
1	17065394				Air Horn Assembly
2	7045097				Gasket—Air Horn
3	7048169				Lever—Pump Actuating
4	9428787				Roll Pin—Pump & Lockout Lever Hinge
5	—				Screw—Air Horn
6	7014699				Screw—Air Horn
7	7031105				Screw—Air Horn
8	—				Metering Rod—Secondary
9	—				Sec. Metering Rod Holder Kit
—	—				Air Valve Spring & Cam Kit
	CHOKE PARTS				
10	—				Link—Aux. Vac. Break
11	—				Screw—Aux. Vac. Break Mounting

	17059134	17059135	17059136	17059137	CARBURETOR No.
Illus. No.	CHOKE PARTS (Continued)				
12	17051918				Stat Cover Coil & Gasket Assy.
12	—				Electric Stat Cover & Coil Assy.
13	17050961				Gasket—Stat Cover
14	17056010				Vacuum Break Control & Brkt. Assy.
15	—				Aux. Vac. Break Control & Brkt. Assy.
16	17050732				Screw—Control Attaching
17	17061541				Cam—Fast Idle
18	7026339				Hose—Vacuum
19	7038259				Choke Shaft
20	7048904				Choke Valve
21	7029866				Screw—Choke Valve
22	7031231				Lever—Intermediate Choke
23	7041472				Rod—Choke
24	17065162				Choke Housing Kit
25	17050754				Inter. Choke Shaft & Lever Assy.
—	7037569				Seal—Inter. Choke Shaft
—	7043367				Seal—Choke Hsg. to Bowl
26	7041499				Lever—Stat Coil
27	7019709				Screw—Coil Lever
28	7038808				Screw—Choke Hsg. to Bowl
29	7041542				Lever—Choke
30	7029866				Screw—Choke Lever
31	7000614				Retainer—Stat Cover
32	7011270				Screw—Stat Cover
	FLOAT BOWL PARTS				
33	17065402				Float Bowl Assembly
34	7031974				Jet—Primary
35	7002117				Ball—Pump Discharge
36	7029849				Retainer—Pump Discharge Ball
37	30-134				Needle & Seat Assy.
38	KIT ONLY				Gasket—Needle Seat
39	7033751				Pull Clip—Float Needle
40	7043379				Float Assembly
41	7041469				Hinge Pin—Float Assembly
42	17060824				Power Piston Assembly—Main
43	7036019				Spring—Power Piston Primary
44	17057750	17057750	17051345	17051345	Metering Rod—Main
45	7041459				Spring—Metering Rod—Primary
46	17059861				Filter Nut—Fuel Inlet
47	7024281				Gasket—Filter Nut
48	GF-471				Filter—Fuel Inlet
49	7032732				Spring—Fuel Filter
50	7003176				Spring—Idle Stop Screw
51	7002121				Screw—Idle Stop
52	7041471				Insert—Float Bowl
—	—				Baffle—Float Bowl
53	7042979				Spring—Pump Return
54	7048874				Pump Assembly
55	17056437				Rod—Pump
56	17051796				Insert—Aneroid & Cavity
—	17061769	—	NONE	NONE	Solenoid & Bracket Assembly
—	—	—	17056020	17056020	Bracket & Washer Assy.
—	—	—	7042653	7042653	Washer—Tab Locking
—	—	—	7042654	7042654	Nut—Solenoid Retaining
—	—	—	7043682	7043682	Screw—Bracket Attaching
	THROTTLE BODY PARTS				
60	17062188	17062189	17062190	17062191	Throttle Body Assembly
61	KIT ONLY				Gasket—Throttle Body
62	7035790				Screw—Throttle Body
63	17062909				Idle Needle & Spring Assembly
64	—				Spring—Idle Needle
65	7041497				Lever—Cam Follower
66	17051494				Spring—Cam Lever
67	7041498				Fast Idle Lever
68	7036079				Screw—Fast Idle Lever Attaching
69	7044794				Screw—Fast Idle Adjusting
70	7029900				Spring—Fast Idle Screw
71	14005210				Gasket—Flange



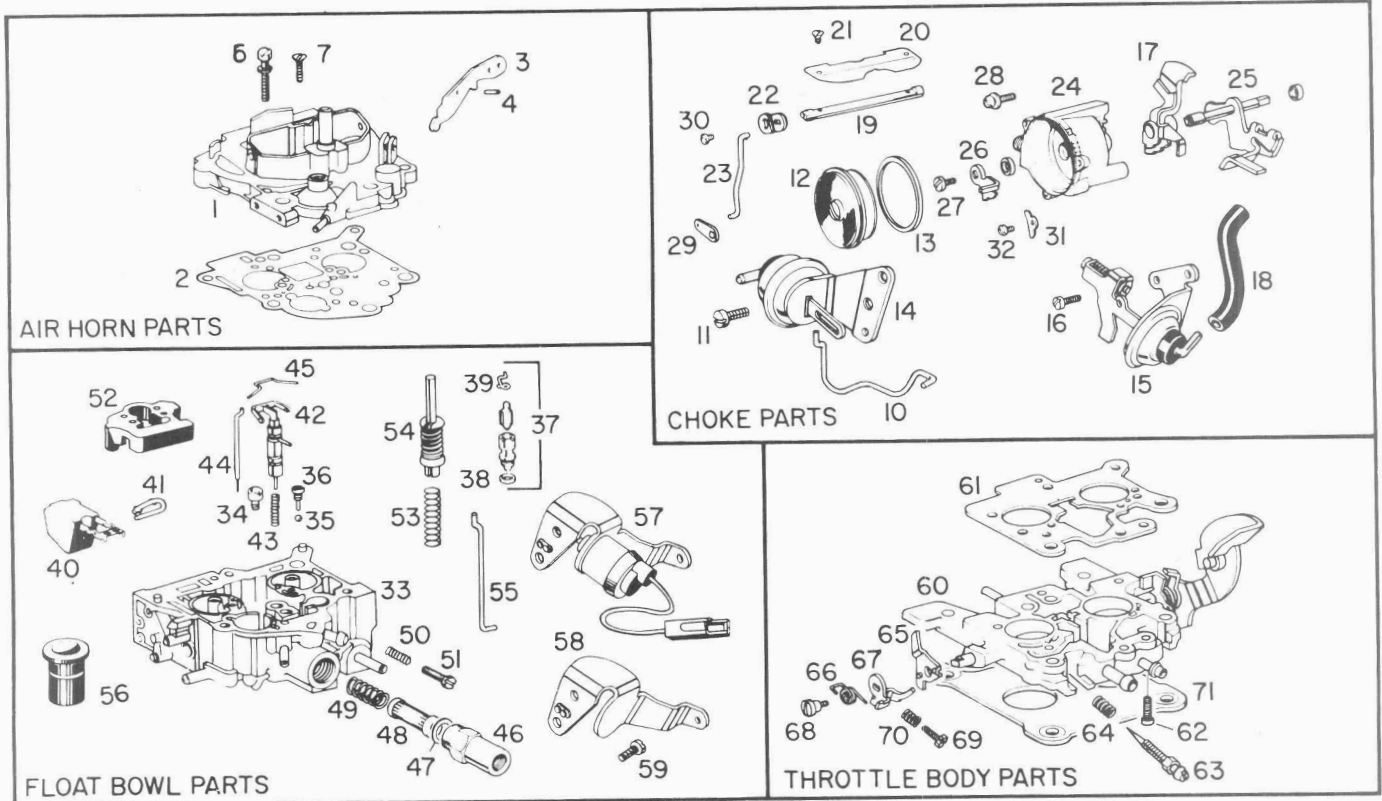
Delco Carburetor

BULLETIN: 9C-3147
DATE: APRIL 1979
PAGE: 1

MODEL M2MC DUALJET-210

1979 CHEVROLET CHEVELLE, MONZA, EL CAMINO & CABALLERO
267 CUBIC INCH ENGINE

A-Malibu; ASP-Monte Carlo; B-Impala, Caprice; F-Camaro; HSP-Monza; T-Chevette; X-Nova; Y-Corvette



PARTS SHOWN ARE FOR IDENTIFICATION ONLY. CONSULT PARTS LIST FOR CORRECT PART NAME AND NUMBER

PARTS IN ALL COLUMNS SAME — EXCEPT WHERE INDICATED

	FEDERAL A, ASP EL CAMINO CABALLERO NON A/C AUTO. TRANS.	FEDERAL A EL CAMINO CABALLERO NON A/C 4-SP. M/T	FEDERAL A, ASP EL CAMINO CABALLERO AIR. COND. AUTO. TRANS.	FEDERAL A EL CAMINO CABALLERO AIR COND. 4-SP. M/T	APPLICATION
	17059138	17059139	17059140	17059141	CARBURETOR No.
	22-3195	22-3196	22-3197	22-3198	REPLACEMENT PACKAGE No.
	17065400				OVERHAUL KIT
	9368				POWER CARBURETOR KIT
	40-486				GASKET SET
Illus. No.	AIR HORN PARTS				
1	17065394				Air Horn Assembly
2	7045097				Gasket—Air Horn
3	7048169				Lever—Pump Actuating
4	9428787				Roll Pin—Pump & Lockout Lever Hinge
5	—				Screw—Air Horn
6	7014699				Screw—Air Horn
7	7031105				Screw—Air Horn
8	—				Metering Rod—Secondary
9	—				Sec. Metering Rod Holder Kit
—	—				Air Valve Spring & Cam Kit
	CHOKE PARTS				
10	—				Link—Aux. Vac. Break
11	—				Screw—Aux. Vac. Break Mounting

	17059138	17059139	17059140	17059141	CARBURETOR No.
Illus. No.	CHOKE PARTS (Continued)				
12	17051918				Stat Cover Coil & Gasket Assy.
12					Electric Stat Cover & Coil Assy.
13	17050961				Gasket—Stat Cover
14	17056010				Vacuum Break Control & Brkt. Assy.
15	—				Aux. Vac. Break Control & Brkt. Assy.
16	17050732				Screw—Control Attaching
17	17061541				Cam—Fast Idle
18	7026339				Hose—Vacuum
19	7038259				Choke Shaft
20	7048904				Choke Valve
21	7029866				Screw—Choke Valve
22	7031231				Lever—Intermediate Choke
23	7041472				Rod—Choke
24	17065162				Choke Housing Kit
25	17050754				Inter. Choke Shaft & Lever Assy.
—	7037569				Seal—Inter. Choke Shaft
—	7043367				Seal—Choke Hsg. to Bowl
26	7041499				Lever—Stat Coil
27	7019709				Screw—Coil Lever
28	7038808				Screw—Choke Hsg. to Bowl
29	7041542				Lever—Choke
30	7029866				Screw—Choke Lever
31	7000614				Retainer—Stat Cover
32	7011270				Screw—Stat Cover
	FLOAT BOWL PARTS				
33	17065395				Float Bowl Assembly
34	7004872				Jet—Primary
35	7002117				Ball—Pump Discharge
36	7029849				Retainer—Pump Discharge Ball
37	30-151				Needle & Seat Assy.
38	KIT ONLY				Gasket—Needle Seat
39	7033751				Pull Clip—Float Needle
40	7043379				Float Assembly
41	7041469				Hinge Pin—Float Assembly
42	17060824				Power Piston Assembly—Main
43	17052057				Spring—Power Piston Primary
44	17051344				Metering Rod—Main
45	7041459				Spring—Metering Rod—Primary
46	17059861				Filter Nut—Fuel Inlet
47	7024281				Gasket—Filter Nut
48	GF-471				Filter—Fuel Inlet
49	7032732				Spring—Fuel Filter
50	7003176				Spring—Idle Stop Screw
51	7002121				Screw—Idle Stop
52	7041471				Insert—Float Bowl
—	—				Baffle—Float Bowl
53	7042979				Spring—Pump Return
54	7048874				Pump Assembly
55	17056437				Rod—Pump
56	17051796				Insert—Aneroid & Cavity
—	—	—	17061769		Solenoid & Bracket Assy.
—	—	—	7043682	7043682	Screw—Bracket Attaching
	THROTTLE BODY PARTS				
60	17062192	17062193	17062194	17062195	Throttle Body Assembly
61	KIT ONLY				Gasket—Throttle Body
62	7035790				Screw—Throttle Body
63	17062909				Idle Needle & Spring Assembly
64					Spring—Idle Needle
65	7041497				Lever—Cam Follower
66	17051494				Spring—Cam Lever
67	7041498				Fast Idle Lever
68	7036079				Screw—Fast Idle Lever Attaching
69	7044794				Screw—Fast Idle Adjusting
70	7029900				Spring—Fast Idle Screw
71	14005210				Gasket—Flange



Delco Carburetor

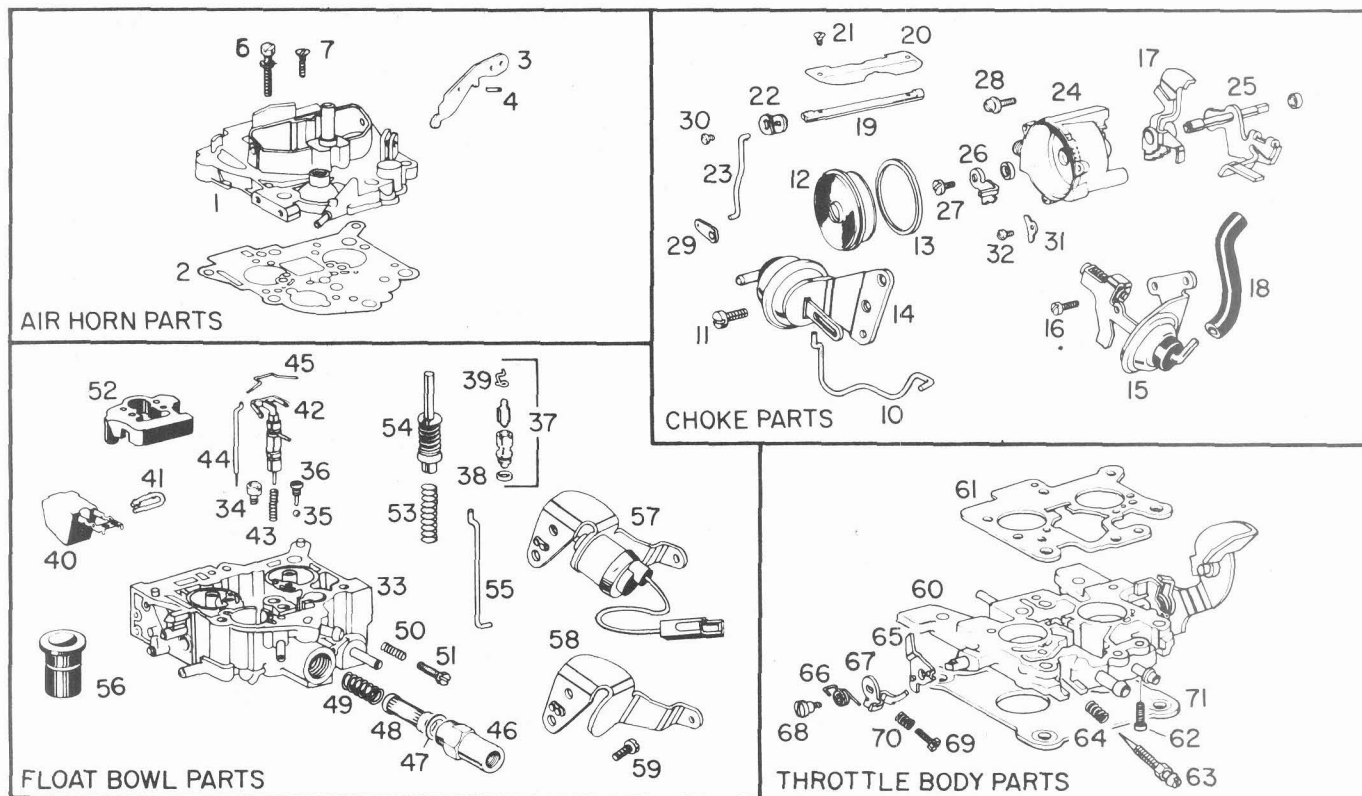
MODEL M2MC DUALJET-210

1979 CHEVROLET MONZA

305 CUBIC INCH ENGINE

BULLETIN: 9C-3148
DATE: APRIL 1979
PAGE: 1

A-Malibu; ASP-Monte Carlo; B-Impala, Caprice; F-Camaro; HSP-Monza; T-Chevette; X-Nova; Y-Corvette



PARTS SHOWN ARE FOR IDENTIFICATION ONLY. CONSULT PARTS LIST FOR CORRECT PART NAME AND NUMBER

PARTS IN ALL COLUMNS SAME — EXCEPT WHERE INDICATED

	CALIF. HSP NON A/C AUTO. TRANS.	CALIF. HSP A/C AUTO. TRANS.	APPLICATION
	17059430	17059432	CARBURETOR No.
	22-3236	22-3237	REPLACEMENT PACKAGE No.
	17065722		OVERHAUL KIT
	9369		POWER CARBURETOR KIT
	40-486		GASKET SET
Illus. No.	AIR HORN PARTS		
1	17065394		Air Horn Assembly
2	7045097		Gasket—Air Horn
3	7048169		Lever—Pump Actuating
4	9428787		Roll Pin—Pump & Lockout Lever Hinge
5	—		Screw—Air Horn
6	7014699		Screw—Air Horn
7	7031105		Screw—Air Horn
8	—		Metering Rod—Secondary
9	—		Sec. Metering Rod Holder Kit
—	—		Air Valve Spring & Cam Kit
	CHOKE PARTS		
10	—		Link—Aux. Vac. Break
11	—		Screw—Aux. Vac. Break Mounting

	17059430	17059432	CARBURETOR No.
Illus. No.		CHOKE PARTS (Continued)	
12	17051918		Stat Cover Coil & Gasket Assy.
12			Electric Stat Cover & Coil Assy.
13	17050961		Gasket—Stat Cover
14	17056010		Vacuum Break Control & Brkt. Assy.
15	—		Aux. Vac. Break Control & Brkt. Assy.
16	17050732		Screw—Control Attaching
17	17061541		Cam—Fast Idle
18	7026339		Hose—Vacuum
19	7038259		Choke Shaft
20	7048904		Choke Valve
21	7029866		Screw—Choke Valve
22	7031231		Lever—Intermediate Choke
23	7041472		Rod—Choke
24	17065162		Choke Housing Kit
25	17050754		Inter. Choke Shaft & Lever Assy.
—	7037569		Seal—Inter. Choke Shaft
—	7043367		Seal—Choke Hsg. to Bowl
26	7041499		Lever—Stat Coil
27	7019709		Screw—Coil Lever
28	7038808		Screw—Choke Hsg. to Bowl
29	7041542		Lever—Choke
30	7029866		Screw—Choke Lever
31	7000614		Retainer—Stat Cover
32	7011270		Screw—Stat Cover
		FLOAT BOWL PARTS	
33	17065787		Float Bowl Assembly
34	7031974		Jet—Primary
35	7002117		Ball—Pump Discharge
36	7029849		Retainer—Pump Discharge Ball
37	30-134		Needle & Seat Assy.
38	KIT ONLY		Gasket—Needle Seat
39	7033751		Pull Clip—Float Needle
40	7043379		Float Assembly
41	7041469		Hinge Pin—Float Assembly
42	17060824		Power Piston Assembly—Main
43	7036019		Spring—Power Piston Primary
44	17051343		Metering Rod—Main
45	7041459		Spring—Metering Rod—Primary
46	17059861		Filter Nut—Fuel Inlet
47	7024281		Gasket—Filter Nut
48	GF-471		Filter—Fuel Inlet
49	7032732		Spring—Fuel Filter
50	7003176		Spring—Idle Stop Screw
51	7002121		Screw—Idle Stop
52	7041471		Insert—Float Bowl
—	—		Baffle—Float Bowl
53	7042979		Spring—Pump Return
54	7048874		Pump Assembly
55	17056437		Rod—Pump
56	17051796		Insert—Aneroid & Cavity
—	—		Solenoid—Idle Stop
—	NONE	17061769	Solenoid and Bracket Assembly
—	NONE	7043682	Screw—Bracket Attaching
		THROTTLE BODY PARTS	
60	17062198	17062199	Throttle Body Assembly
61	KIT ONLY		Gasket—Throttle Body
62	7035790		Screw—Throttle Body
63	17062909		Idle Needle & Spring Assembly
64	—		Spring—Idle Needle
65	7041497		Lever—Cam Follower
66	17051494		Spring—Cam Lever
67	7041498		Fast Idle Lever
68	7036079		Screw—Fast Idle Lever Attaching
69	7044794		Screw—Fast Idle Adjusting
70	7029900		Spring—Fast Idle Screw
71	14005210		Gasket—Flange



Delco Carburetor

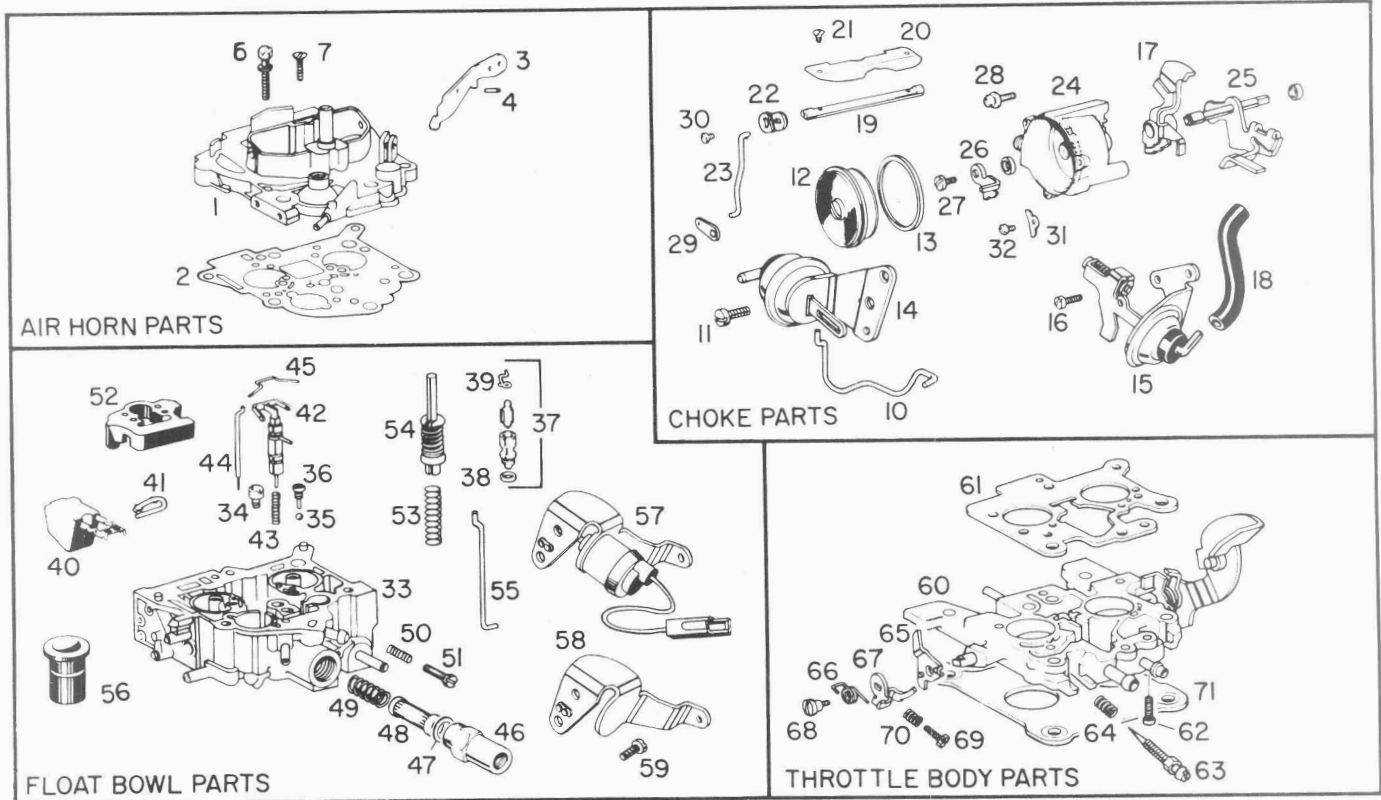
BULLETIN: 9C-3149
DATE: APRIL 1979
PAGE: 1

MODEL M2MC DUALJET-210

1979 CHEVROLET, CHEVELLE, CAMARO, NOVA

305-CUBIC INCH ENGINE

A-Malibu; ASP-Monte Carlo; B-Impala, Caprice; F-Camaro; HSP-Monza; T-Chevette; X-Nova; Y-Corvette



PARTS SHOWN ARE FOR IDENTIFICATION ONLY. CONSULT PARTS LIST FOR CORRECT PART NAME AND NUMBER

PARTS IN ALL COLUMNS SAME — EXCEPT WHERE INDICATED

Illus. No.	CALIF. B-SEDAN F, X NON A/C AUTO. TRANS.	CALIF. B-SEDAN F, X A/C AUTO. TRANS.	APPLICATION
	17059434	17059436	CARBURETOR No.
	22-3203	22-3204	REPLACEMENT PACKAGE No.
	17065722		OVERHAUL KIT
	9369		POWER CARBURETOR KIT
40-486		GASKET SET	
	AIR HORN PARTS		
1	17065394		Air Horn Assembly
2	7045097		Gasket—Air Horn
3	7048169		Lever—Pump Actuating
4	9428787		Roll Pin—Pump & Lockout Lever Hinge
5	—		Screw—Air Horn
6	7014699		Screw—Air Horn
7	7031105		Screw—Air Horn
8	—		Metering Rod—Secondary
9	—		Sec. Metering Rod Holder Kit
—	—		Air Valve Spring & Cam Kit
	CHOKE PARTS		
10	—		Link—Aux. Vac. Break
11	—		Screw—Aux. Vac. Break Mounting

	17059434	17059436	CARBURETOR No.
Illus. No.	CHOKE PARTS (Continued)		
12	17051918		Stat Cover, Coil & Gasket Assy.
12			Electric Stat Cover & Coil Assy.
13	17050961		Gasket—Stat Cover
14	17056010		Vacuum Break Control & Brkt. Assy.
15	—		Aux. Vac. Break Control & Brkt. Assy.
16	17050732		Screw—Control Attaching
17	17061541		Cam—Fast Idle
18	7026339		Hose—Vacuum
19	7038259		Choke Shaft
20	7048904		Choke Valve
21	7029866		Screw—Choke Valve
22	7031231		Lever—Intermediate Choke
23	7041472		Rod—Choke
24	17065162		Choke Housing Kit
25	17050754		Inter. Choke Shaft & Lever Assy.
—	7037569		Seal—Inter. Choke Shaft
—	7043367		Seal—Choke Hsg. to Bowl
26	7041499		Lever—Stat Coil
27	7019709		Screw—Coil Lever
28	7038808		Screw—Choke Hsg. to Bowl
29	7041542		Lever—Choke
30	7029866		Screw—Choke Lever
31	7000614		Retainer—Stat Cover
32	7011270		Screw—Stat Cover
	FLOAT BOWL PARTS		
33	17065787		Float Bowl Assembly
34	7031974		Jet—Primary
35	7002117		Ball—Pump Discharge
36	7029849		Retainer—Pump Discharge Ball
37	30-134		Needle & Seat Assy.
38	KIT ONLY		Gasket—Needle Seat
39	7033751		Pull Clip—Float Needle
40	7043379		Float Assembly
41	7041469		Hinge Pin—Float Assembly
42	17060824		Power Piston Assembly—Main
43	7037305		Spring—Power Piston Primary
44	17051343		Metering Rod—Main
45	7041459		Spring—Metering Rod—Primary
46	17059861		Filter Nut—Fuel Inlet
47	7024281		Gasket—Filter Nut
48	GF-471		Filter—Fuel Inlet
49	7032732		Spring—Fuel Filter
50	7003176		Spring—Idle Stop Screw
51	7002121		Screw—Idle Stop
52	7041471		Insert—Float Bowl
—	—		Baffle—Float Bowl
53	7042979		Spring—Pump Return
54	7048874		Pump Assembly
55	17056437		Rod—Pump
56	17051796		Insert—Aneroid Cavity
—	NONE	17061769	Solenoid and Bracket Assembly
—	NONE	7043682	Screw—Bracket Attaching
	THROTTLE BODY PARTS		
60	17061298	17062199	Throttle Body Assembly
61	KIT ONLY		Gasket—Throttle Body
62-	7035790		Screw—Throttle Body
63	17062909		Idle Needle & Spring Assembly
64	—		Spring—Idle Needle
65	7041497		Lever—Cam Follower
66	17051494		Spring—Cam Lever
67	7041498		Fast Idle Lever
68	7036079		Screw—Fast Idle Lever Attaching
69	7044794		Screw—Fast Idle Adjusting
70	7029900		Spring—Fast Idle Screw
71	14005210		Gasket—Flange

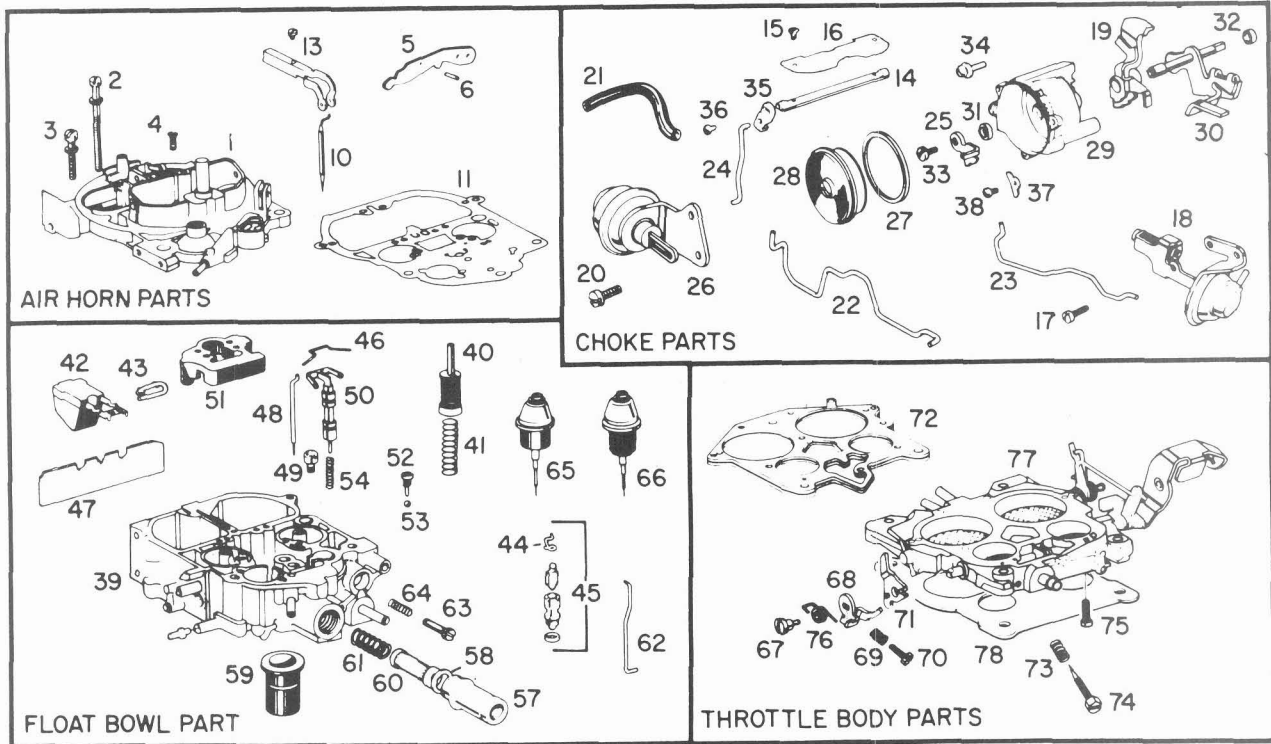


Delco Carburetor

MODEL M4MC QUADRAJET
1979 CHEVROLET MALIBU, EL CAMINO AND CABALLERO
305 CUBIC INCH ENGINE

BULLETIN: 9C-3150
DATE: APRIL 1979
PAGE: 1

A-Malibu; ASP-Monte Carlo; B-Impala, Caprice; F-Camaro; HSP-Monza; T-Chevette; X-Nova; Y-Corvette



PARTS SHOWN ARE FOR IDENTIFICATION ONLY. CONSULT PARTS LIST FOR CORRECT PART NAME AND NUMBER

PARTS IN ALL COLUMNS SAME — EXCEPT WHERE INDICATED

	FEDERAL A EL CAMINO CABALLERO A/C NON A/C M/T	APPLICATION
	17059207	CARBURETOR No.
	24-3228	REPLACEMENT PKG. No.
	17065434	OVERHAUL KIT
	9371	POWER CARBURETOR KIT
	40-488	GASKET SET
Illus. No.	AIR HORN PARTS	
1	17055703	Air Horn Assembly
2	7029912	Screw—Air Horn
3	7014699	Screw—Air Horn
4	7031105	Screw—Air Horn
5	7048169	Lever—Pump Actuating
6	9428787	Roll Pin—Pump & Lockout Levers
7	—	Screw—Idle Vent Valve
8	—	Valve—Idle Vent
9	—	Idle Vent Valve Kit
10	7045779	Metering Rod—Secondary
11	17056357	Gasket—Air Horn
12	—	Lockout Lever—Air Valve
13	7034522	Sec. Metering Rod Holder Kit
—	7035344	Air Valve Spring & Cam Kit
	CHOKE PARTS	
14	7038259	Choke Shaft
15	7029866	Screw—Choke Valve
16	7048904	Choke Valve
17	17050732	Screw—Vacuum Break Control

	17059207	CARBURETOR No.
Illus. No.	CHOKE PARTS (Continued)	
18	17050759	Vac. Brk. Con. & Bracket Assy.
19	17061541	Cam—Fast Idle
20	17050732	Screw—Aux. Vacuum Break Mounting
21	7026339	Hose—Vacuum
22	7041527	Rod—Vacuum Break
—	7031231	Lever—Intermediate Choke
23	—	Link—Aux. Vacuum Break
24	7041472	Rod—Choke
25	7041499	Lever—Choke Coil
26	—	Vacuum Break Control & Bracket Assy. Aux.
27	17050961	Gasket—Stat Cover
28	17051918	Stat Cover—Coil & Gasket Assy.
29	17065162	Choke Housing Kit
30	17050754	Intermediate Choke Shaft & Lever
31	7037569	Seal Intermediate Choke Shaft
32	7043367	Seal—Choke Housing to Bowl
33	7019709	Screw—Coil Lever
34	7038808	Screw—Choke Housing to Bowl
35	7041542	Lever—Choke
36	7029866	Screw—Choke Lever
37	7000614	Retainer—Stat Cover (3)
38	7011270	Screw—Stat Cover (3)
	FLOAT BOWL PARTS	
39	17065430	Float Bowl Assembly
40	17051117	Pump Assembly
41	7042979	Spring—Pump Return
42	7043379	Float Assembly
43	7041469	Hinge Pin—Float
44	7033751	Pull Clip—Float Needle
45	30-134	Needle and Seat Assembly
	KIT ONLY	
46	7041459	Gasket—Needle Seat
47	7031365	Spring—Metering Rod—Primary
48	17051340	Baffle Plate—Float Bowl
49	7031972	Metering Rod—Primary
50	17051792	Metering Jet—Primary
51	17051792	Power Piston Assembly
52	7041471	Insert—Float Bowl
53	7029849	Retainer—Pump Discharge Ball
54	7002117	Ball—Pump Discharge
55	7036019	Spring—Power Piston
56	—	Clip—Pump Rod
57	7041473	Lockout Lever—Secondary
58	17051254	Filter Nut—Fuel Inlet
59	7024281	Gasket—Inlet Nut
60	17051796	Insert—Aneroid Cavity
61	GF-471	Filter—Fuel Inlet
62	7043568	Spring—Inlet Filter
63	7026138	Rod—Pump
64	7002121	Screw—Idle Stop
65	7003176	Spring—Idle Stop Screw
66	—	A.P.T. Rod Assembly
67	—	Aneroid Assembly
68	NONE	Solenoid & Bracket Assy.
69	NONE	Screw—Bracket Attaching (2)
	THROTTLE BODY PARTS	
70	7036079	Screw—Fast Idle Levers Attaching
71	7041498	Lever—Fast Idle
72	7029900	Spring—Fast Idle Screw
73	7044794	Screw—Fast Idle Adjusting
74	7041497	Lever—Cam Follower
75	KIT ONLY	Gasket—Throttle Body
76	—	Spring—Idle Needle
77	17062905	Idle Needle & Spring Assembly
78	7035790	Screw—Throttle Body
79	17051494	Spring—Cam Follower Lever
80	17062716	Throttle Body Assembly
81	476325	Insulator—Flange



Delco Carburetor

MODEL M4MC QUADRAJET

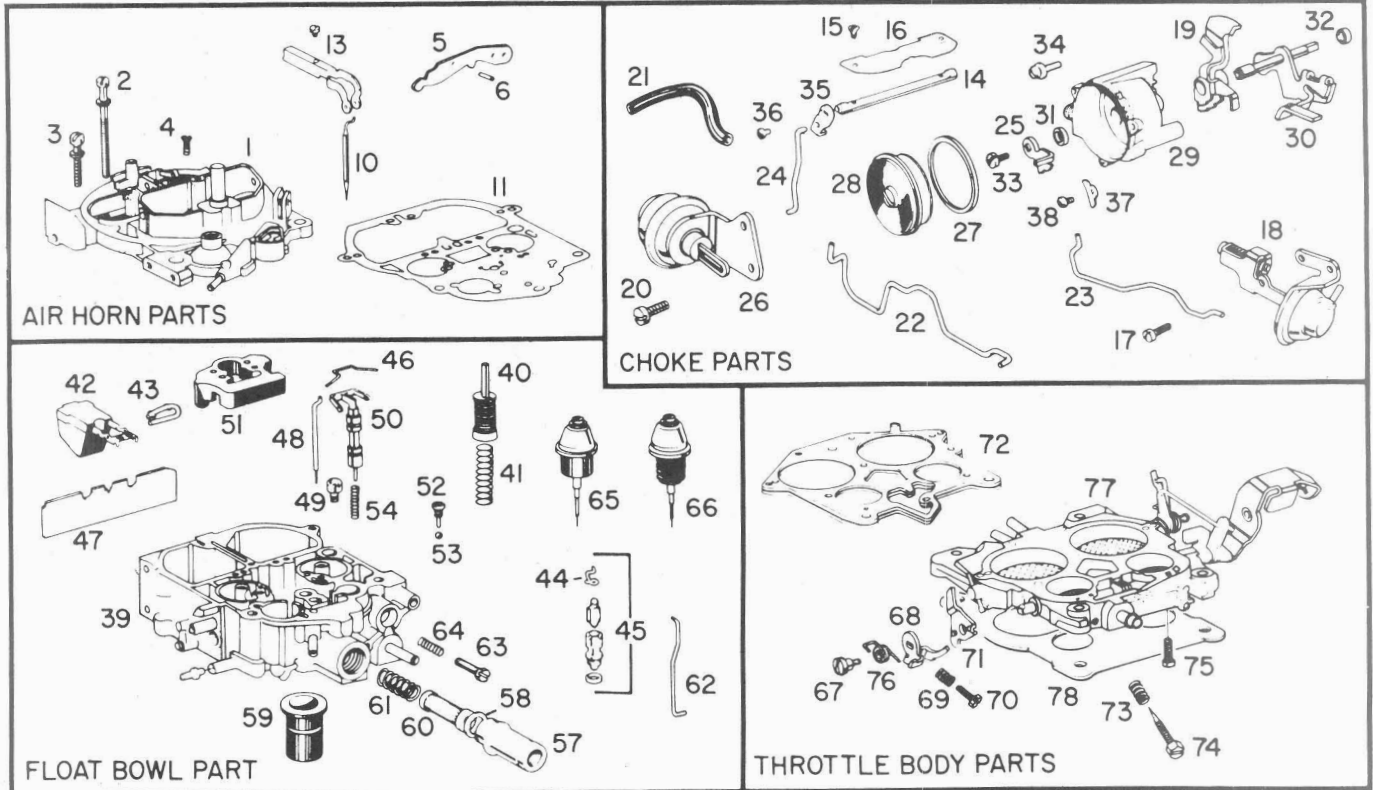
1979 CHEVROLET MALIBU, MONTE CARLO

2.29 AXLE ONLY

305 CUBIC INCH ENGINE

A-Malibu; ASP-Monte Carlo; B-Impala, Caprice; F-Camaro; HSP-Monza; T-Chevette; X-Nova; Y-Corvette

BULLETIN: 9C-3151
DATE: APRIL 1979
PAGE: 1



PARTS SHOWN ARE FOR IDENTIFICATION ONLY. CONSULT PARTS LIST FOR CORRECT PART NAME AND NUMBER

PARTS IN ALL COLUMNS SAME — EXCEPT WHERE INDICATED

	FEDERAL A-SED ASP NON A/C AUTO. TRANS.	FEDERAL A-SED ASP AIR COND. AUTO. TRANS.	APPLICATION
	17059218	17059222	CARBURETOR No.
	24-3230		REPLACEMENT PACKAGE No.
	17065971		OVERHAUL KIT
	9390		POWER CARB. KIT
	40-488		GASKET SET
Illus. No.	AIR HORN PARTS		
1	17055703		Air Horn Assembly
2	7029912		Screw—Air Horn
3	7014699		Screw—Air Horn
4	7031105		Screw—Air Horn
5	7048169		Lever—Pump Actuating
6	9428787		Roll Pin—Pump and Lockout Levers
7	—		Screw—Idle Vent Valve
8	—		Valve—Idle Vent
9	—		Idle Vent Valve Kit
10	7045779		Metering Rod—Secondary
11	17056357		Gasket—Air Horn
12	—		Lockout Lever—Air Valve
13	7034522		Secondary Metering Rod Holder Kit
—	7035344		Air Valve Spring and Cam Kit

	17059218	17059222	CARBURETOR No.
Illus. No.		CHOKE PARTS	
14	7038259		Choke Shaft
15	7029866		Screw—Choke Shaft
16	7048904		Choke Valve
17	17050732		Screw—Vacuum Break Control
18	17050759		Vacuum Break Control & Bracket Assy.
19	17061541		Cam—Fast Idle
20	—		Screw—Aux. Vacuum Break Mounting
21	7026339		Hose—Vacuum
22	7041527		Rod—Vacuum Break
—	7031231		Lever—Inter. Choke
23	—		Link—Aux. Vac. Break
24	7041472		Rod—Choke
25	7041499		Lever—Choke Coil
26	—		Vacuum Break Control & Bracket Assy. Aux.
27	17050961		Gasket—Stat Cover
28	17051918		Stat Cover—Coil & Gasket Assy.
29	17055546		Choke Housing Kit
30	17050754		Inter. Choke Shaft & Lever
31	7037569		Seal—Inter. Choke Shaft
32	7043367		Seal—Choke Housing to Bowl
33	7019709		Screw—Coil Lever
34	7038808		Screw—Choke Housing to Bowl
35	7041542		Lever—Choke
36	7029866		Screw—Choke Lever
37	7000614		Retainer—Stat Cover (3)
38	7011270		Screw—Stat Cover (3)
		FLOAT BOWL PARTS	
39	17065430		Float Bowl Assembly
40	7048874		Pump Assembly
41	7042979		Spring—Pump Return
42	7043379		Float Assembly
43	7041469		Hinge Pin—Float
44	7033751		Pull Clip—Float Needle
45	30-134		Needle and Seat Assembly
	KIT ONLY		Gasket—Needle Seat
46	7041459		Spring—Metering Rod—Primary
47	7031365		Baffle Plate—Float Bowl
48	17051340		Metering Rod—Primary
49	7031971		Metering Jet—Primary
50	17051792		Power Piston Assembly
51	7041471		Insert—Float Bowl
52	7029849		Retainer—Pump Discharge Ball
53	7002117		Ball—Pump Discharge
54	7036019		Spring—Power Piston
55	—		Clip—Pump Rod
56	7041473		Lockout Lever—Secondary
57	17051254		Filter Nut—Fuel Inlet
58	7024281		Gasket—Inlet Nut
59	17051796		Insert—Aneroid Cavity
60	GF-471		Filter—Fuel Inlet
61	7043568		Spring—Inlet Filter
62	7026138		Rod—Pump
63	7002121		Screw—Idle Stop
64	7003176		Spring—Idle Stop Screw
65	—	—	A.P.T. Rod Assembly
66	—	—	Aneroid Assembly
—		THROTTLE BODY PARTS	
67	7036079		Screw—Fast Idle Levers Attching.
68	7041498		Lever—Fast Idle
69	7029900		Spring—Fast Idle Screw
70	7044794		Screw—Fast Idle Adjusting
71	7041497		Lever—Cam Follower
72	KIT ONLY		Gasket—Throttle Body
73	—		Spring—Idle Needle
74	17062905		Idle Needle & Spring Assembly
75	7035790		Screw—Throttle Body
76	17051494		Spring—Cam Follower Lever
77	17062717		Throttle Body Assembly
78	476325		Insulator—Flange



Delco Carburetor

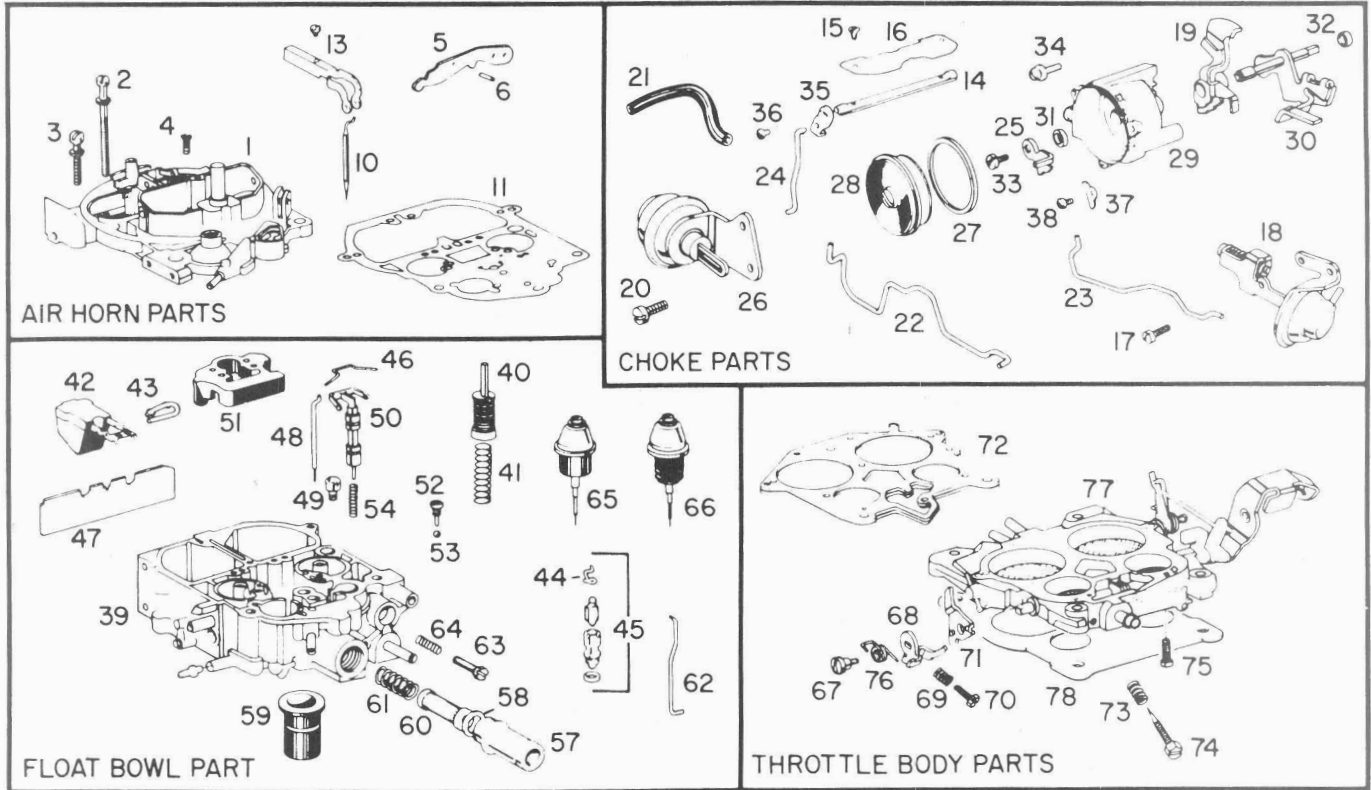
BULLETIN: 9C-3152
DATE: APRIL 1979
PAGE: 1

MODEL M4MC QUADRAJET

1979 CHEVROLET, MALIBU AND MONTE CARLO

305 CUBIC INCH ENGINE

A-Malibu; ASP-Monte Carlo; B-Impala, Caprice; F-Camaro; HSP-Monza; T-Chevette; X-Nova; Y-Corvette



PARTS SHOWN ARE FOR IDENTIFICATION ONLY. CONSULT PARTS LIST FOR CORRECT PART NAME AND NUMBER

PARTS IN ALL COLUMNS SAME — EXCEPT WHERE INDICATED

	ALTITUDE A-SEDAN ASP NON A/C AUTO. TRANS.	ALTITUDE A-SEDAN ASP AIR COND. AUTO. TRANS.	APPLICATION
	17059582	17059584	CARBURETOR No.
	24-3222		REPLACEMENT PKG. No.
	17065434		OVERHAUL KIT
	9371		POWER CARB. KIT
	40-488		GASKET SET
Illus. No.	AIR HORN PARTS		
1	17055703		Air Horn Assembly
2	7029912		Screw—Air Horn
3	7014699		Screw—Air Horn
4	7031105		Screw—Air Horn
5	7048169		Lever—Pump Actuating
6	9428787		Roll Pin—Pump & Lockout Lvrs.
7	—		Screw—Idle Vent Valve
8	—		Valve—Idle Vent
9	—		Idle Vent Valve Kit
10	7045779		Metering Rod—Secondary
11	17056357		Gasket—Air Horn
12	—		Lockout Lever—Air Valve
13	7034522		Sec. Metering Rod Holder Kit
—	7035344		Air Valve Spring & Cam Kit

	17059582	17059584	CARBURETOR No.
Illus. No.		CHOKE PARTS	
14	7038259		Choke Shaft
15	7029866		Screw—Choke Shaft
16	7048904		Choke Valve
17	17050732		Screw—Vacuum Break Control
18	17050759		Vacuum Break Control & Bracket Assy.
19	17061541		Cam—Fast Idle
20	—		Screw—Aux. Vac. Brk. Mnting.
21	7026339		Hose—Vacuum
22	7041527		Rod—Vacuum Break
—	7031231		Lever—Inter. Choke
23	—		Link—Aux. Vac. Break
24	7041472		Rod—Choke
25	7041499		Lever—Choke Coil
26	—		Vacuum Break Con. & Bracket Assy. Aux.
27	17050961		Gasket—Stat Cover
28	7036948		Stat Cover—Coil & Gasket Assy.
29	17065162		Choke Housing Kit
30	17050754		Inter. Choke Shaft & Lever
31	7037569		Seal—Inter. Choke Shaft
32	7043367		Seal—Choke Housing to Bowl
33	7019709		Screw—Coil Lever
34	7038808		Screw—Choke Housing to Bowl
35	7041542		Lever—Choke
36	7029866		Screw—Choke Lever
37	7000614		Retainer—Stat Cover (3)
38	7011270		Screw—Stat Cover (3)
		FLOAT BOWL PARTS	
39	17065430		Float Bowl Assembly
40	17051117		Pump Assembly
41	7042979		Spring—Pump Return
42	7043379		Float Assembly
43	7041469		Hinge Pin—Float
44	7033751		Pull Clip—Float Needle
45	30-134		Needle and Seat Assembly
	KIT ONLY		Gasket—Needle Seat
46	7041459		Spring—Metering Rod—Primary
47	7031365		Baffle Plate—Float Bowl
48	17051341		Metering Rod—Primary
49	7031971		Metering Jet—Primary
50	17051792		Power Piston Assembly
51	7041471		Insert—Float Bowl
52	7029849		Retainer—Pump Discharge Ball
53	7002117		Ball—Pump Discharge
54	7036019		Spring—Power Piston
55	—		Clip—Pump Rod
56	7041473		Lockout Lever—Secondary
57	17051254		FilterNut—Fuel Inlet
58	7024281		Gasket—Inlet Nut
59	17051796		Insert—Aneroid Cavity
60	GF-471		Filter—Fuel Inlet
61	7043568		Spring—Inlet Filter
62	7026138		Rod—Pump
63	7002121		Screw—Idle Stop
64	7003176		Spring—Idle Stop Screw
65	—	—	A.P.T. Rod Assembly
66	—	—	Aneroid Assembly
—	NONE	17061769	Solenoid & Bracket Assy.
—	NONE	7043682	Screw—Bracket & Attaching (2)
		THROTTLE BODY PARTS	
67	7036079		Screw—Fast Idle Levers Attaching
68	7041498		Lever—Fast Idle
69	7029900		Spring—Fast Idle Screw
70	7044794		Screw—Fast Idle Adjusting
71	7041497		Lever—Cam Follower
72	KIT ONLY		Gasket—Throttle Body
73	—		Spring—Idle Needle
74	17062905		Idle Needle & Spring Assembly
75	7035790		Screw—Throttle Body
76	17051494		Spring—Cam Follower Lever
77	17061364		Throttle Body Assembly
78	476325		Insulator—Flange



Delco Carburetor

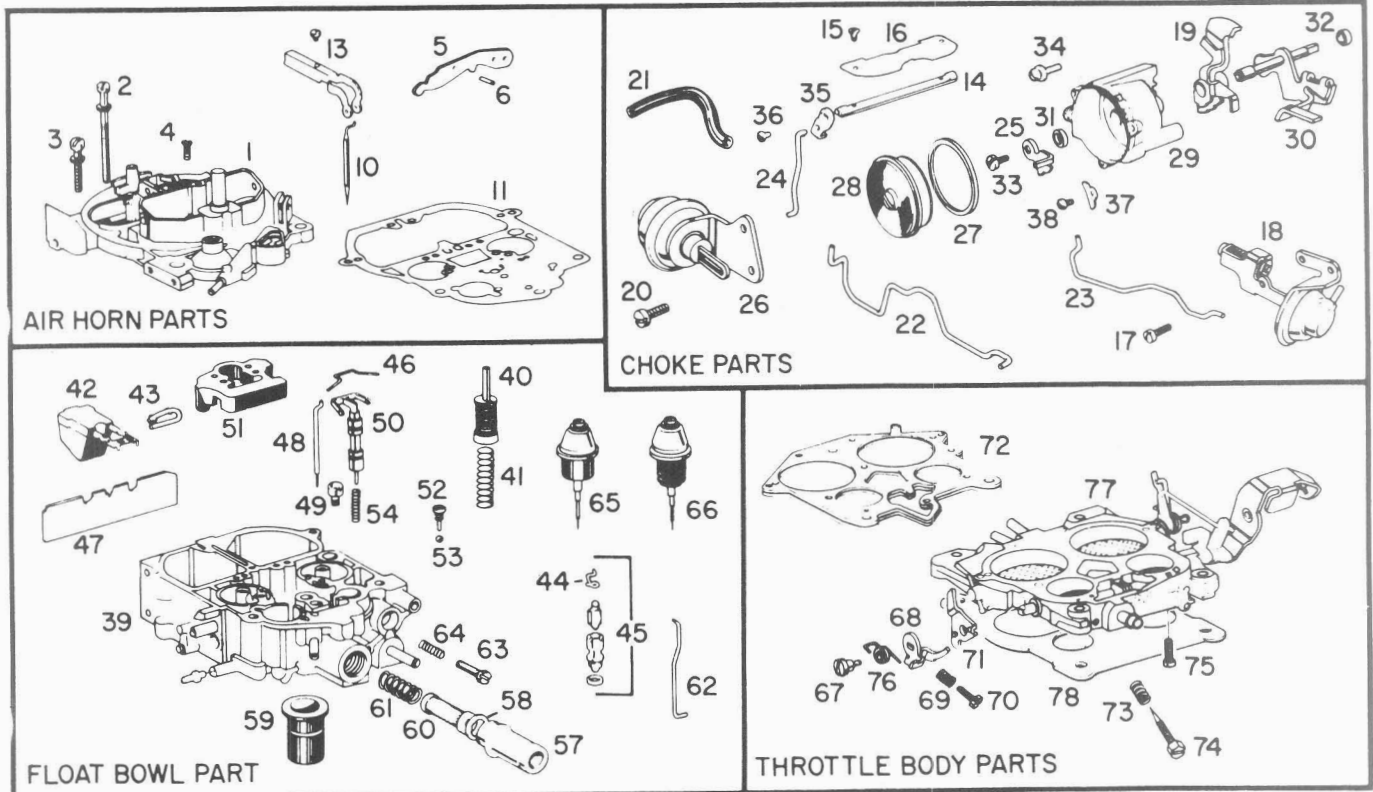
BULLETIN: 9C-3153
 DATE: APRIL 1979
 PAGE: 1

MODEL M4MC QUADRAJET

1979 CHEVROLET, MONTE CARLO, MALIBU, NOVA, CAMARO,
 EL CAMINO AND CABALLERO

305-350 CUBIC INCH ENGINE

A-Malibu; ASP-Monte Carlo; B-Impala, Caprice; F-Camaro; HSP-Monza; T-Chevette; X-Nova; Y-Corvette



PARTS SHOWN ARE FOR IDENTIFICATION ONLY. CONSULT PARTS LIST FOR CORRECT PART NAME AND NUMBER

PARTS IN ALL COLUMNS SAME — EXCEPT WHERE INDICATED

	FEDERAL 305 CU. IN. A, ASP EL CAMINO CABALLERO AIR. COND. AUTO. TRANS.	FEDERAL 350 CU. IN. B, F, Y, X AIR COND. AUTO. TRANS.	FEDERAL 350 CU. IN. B, F, Y, X NON A/C AUTO. TRANS.	FEDERAL 305 CU. IN. EL CAMINO CABALLERO A, ASP NON A/C AUTO. TRANS.	APPLICATION
	17059216	17059216	17059217	17059217	CARBURETOR No.
	24-3229				REPLACEMENT PKG. No.
	17065434				OVERHAUL KIT
	9371				POWER CARB. KIT
	40-488				GASKET KIT
Illus. No.	AIR HORN PARTS				
1	17055703				Air Horn Assembly
2	7029912				Screw—Air Horn
3	7014699				Screw—Air Horn
4	7031105				Screw—Air Horn
5	7048169				Lever—Pump Actuating
6	9428787				Roll Pin—Pump & Lockout Lvrs.
7	—				Screw—Idle Vent Valve
8	—				Valve—Idle Vent
9	—				Idle Vent Valve Kit
10	7045779				Metering Rod—Secondary
11	17056357				Gasket—Air Horn
12	—				Lockout Lever—Air Valve
13	7034522				Sec. Metering Rod Holder Kit
—	7035344				Air Valve Spring & Cam Kit

Illus. No	17059216	17059216	17059217	17059217	CARBURETOR No.
CHOKE PARTS					
14	7038259				Choke Shaft
15	7029866				Screw—Choke Valve
16	7048904				Choke Screw
17	17050732				Screw—Vacuum Break Control
18	17050759				Vac. Brk. Control & Brkt. Assy.
19	17061541				Cam—Fast Idle
20	—				Screw—Aux. Vac. Brk. Mnting.
21	7026339				Hose—Vacuum
22	7041527				Rod—Vacuum Break
—	7031231				Lever—Inter. Choke
23	—				Link—Aux. Vac. Break
24	7041472				Rod—Choke
25	7041499				Lever—Choke Coil
26	—				Vac. Brk. Con. & Brkt. Assy. Aux.
27	17050961				Gasket—Stat Cover
28	17051918				Stat Cover—Coil & Gskt. Assy.
29	17065162				Choke Housing Kit
30	17050754				Inter. Choke Shaft & Lever
31	7037569				Seal Inter. Choke Shaft
32	7043367				Seal—Choke Housing to Bowl
33	7019709				Screw—Coil Lever
34	7038808				Screw—Choke Housing to Bowl
35	7041542				Lever—Choke
36	7029866				Screw—Choke Lever
37	7000614				Retainer—Stat Cover (3)
38	7011270				Screw—Stat Cover (3)
FLOAT BOWL PARTS					
39	17065430				Float Bowl Assembly
40	17051117				Pump Assembly
41	7042979				Spring—Pump Return
42	7043379				Float Assembly
43	7041469				Hinge Pin—Float
44	7033751				Pull Clip—Float Needle
45	30-134				Needle & Seat Assembly
	KIT ONLY				Gasket—Needle Seat
46	7041459				Spring—Metering Rod—Primary
47	7031365				Baffle Plate—Float Bowl
48	17051340				Metering Rod—Primary
49	7031972				Metering Jet—Primary
50	17051792				Power Piston Assembly
51	7041471				Insert—Float Bowl
52	7029849				Retainer—Pump Disch. Ball
53	7002117				Ball—Pump Discharge
54	7036019				Spring—Power Piston
55	—				Clip—Pump Rod
56	7041473				Lockout Lever—Secondary
57	17051254				Filter Nut—Fuel Inlet
58	7024281				Gasket—Inlet Nut
59	17051796				Insert Aneroid Cavity
60	GF-471				Filter—Fuel Inlet
61	7043568				Spring—Inlet Filter
62	7026138				Rod—Pump
63	7002121				Screw—Idle Stop
64	7003176				Spring—Idle Stop Screw
65	—	—	—	—	A.P.T. Rod Assembly
66	—	—	—	—	Aneroid Assembly
—	17061769	17061769	NONE	NONE	Solenoid & Brkt. Assy.
—	7043682	7043682	NONE	NONE	Screw—Brkt. Attaching (2)
THROTTLE BODY PARTS					
67	7036079				Screw—Fast Idle Lvrs. Attching.
68	7041498				Lever—Fast Idle
69	7029900				Spring—Fast Idle Screw
70	7044794				Screw—Fast Idle Adjusting
71	7041497				Lever—Cam Follower
72	KIT ONLY				Gasket—Throttle Body
73	—				Spring—Idle Needle
74	17062905				Idle Needle & Spring Assembly
75	7035790				Screw—Throttle Body
76	17051494				Spring—Cam Follower Lever
77	17062717				Throttle Body Assembly
78	476325				Insulator—Flange



Delco Carburetor

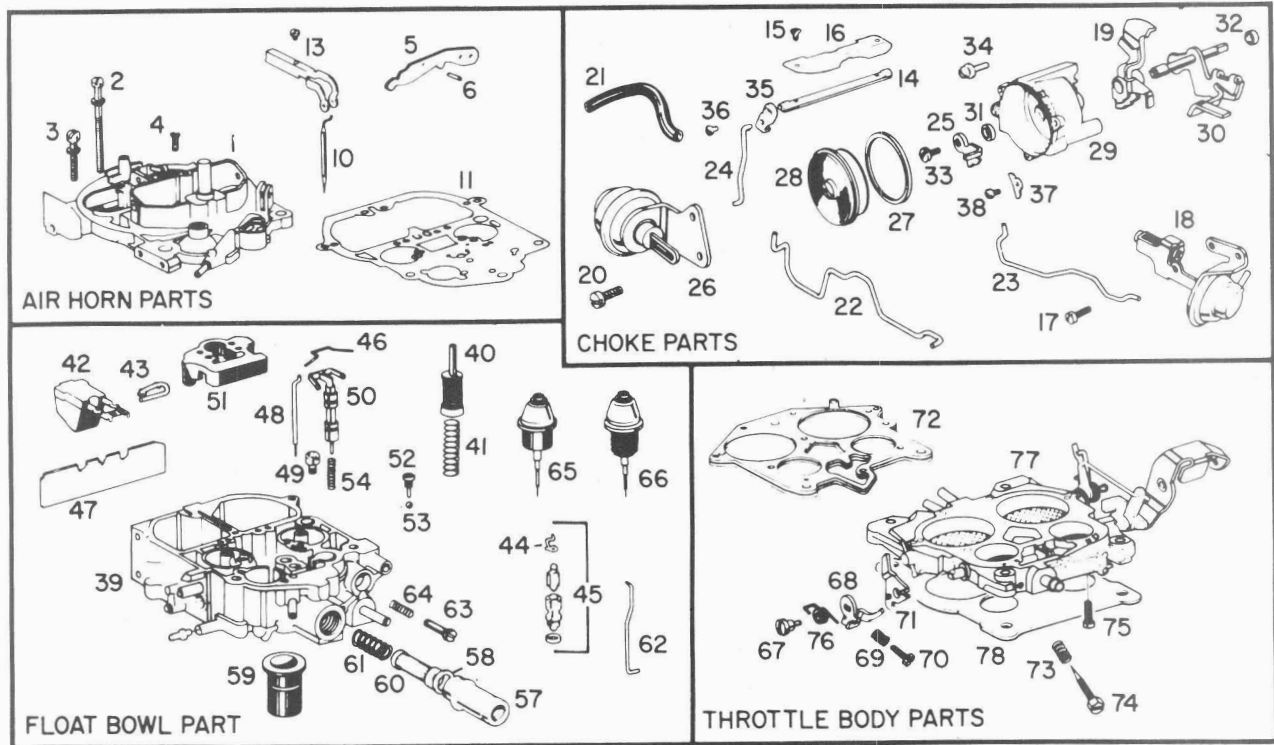
MODEL M4MC QUADRAJET

1979 CHEVROLET CAMARO AND CORVETTE

350 CUBIC INCH ENGINE

A-Malibu; ASP-Monte Carlo; B-Impala, Caprice; F-Camaro; HSP-Monza; T-Chevette; X-Nova; Y-Corvette

BULLETIN: 9C-3154
DATE: APRIL 1979
PAGE: 1



PARTS SHOWN ARE FOR IDENTIFICATION ONLY. CONSULT PARTS LIST FOR CORRECT PART NAME AND NUMBER

PARTS IN ALL COLUMNS SAME — EXCEPT WHERE INDICATED

	FEDERAL F AND Y A/C NON A/C 4-SP M/T	APPLICATION
	17059203	CARBURETOR No.
	24-3221	REPLACEMENT PKG. No.
	17065434	OVERHAUL KIT
	9371	POWER CARBURETOR KIT
	40-488	GASKET SET
Illus. No.	AIR HORN PARTS	
1	17055703	Air Horn Assembly
2	7029912	Screw—Air Horn
3	7014699	Screw—Air Horn
4	7031105	Screw—Air Horn
5	7048169	Lever—Pump Actuating
6	9428787	Roll Pin—Pump & Lockout Levers
7	—	Screw—Idle Vent Valve
8	—	Valve—Idle Vent
9	—	Idle Vent Valve Kit
10	7045779	Metering Rod—Secondary
11	17056357	Gasket—Air Horn
12	—	Lockout Lever—Air Valve
13	7034522	Sec. Metering Rod Holder Kit
—	7035344	Air Valve Spring & Cam Kit
	CHOKE PARTS	
14	7038259	Choke Shaft
15	7029866	Screw—Choke Valve
16	7048904	Choke Valve
17	17050732	Screw—Vacuum Break Control

	17059203	CARBURETOR No.
Illus. No.	CHOKE PARTS (Continued)	
18	17050759	Vacuum Break Con. & Bracket Assy.
19	17061541	Cam—Fast Idle
20	17050732	Screw—Aux. Vacuum Break Mounting
21	7026339	Hose—Vacuum
22	7041527	Rod—Vacuum Break
—	7031231	Lever—Intermediate Choke
23	—	Link—Aux. Vacuum Break
24	7041472	Rod—Choke
25	7041499	Lever—Choke Coil
26	—	Vacuum Break Control & Bracket Assy. Aux.
27	17050961	Gasket—Stat Cover
28	17051918	Stat Cover—Coil & Gasket Assy.
29	17065162	Choke Housing Kit
30	17050754	Intermediate Choke Shaft & Lever
31	7037569	Seal—Intermediate Choke Shaft
32	7043367	Seal—Choke Housing to Bowl
33	7019709	Screw—Coil Lever
34	7038808	Screw—Choke Housing to Bowl
35	7041542	Lever—Choke
36	7029866	Screw—Choke Lever
37	7000614	Retainer—Stat Cover (3)
38	7011270	Screw—Stat Cover (3)
	FLOAT BOWL PARTS	
39	17065430	Float Bowl Assembly
40	17051117	Pump Assembly
41	7042979	Spring—Pump Return
42	7043379	Float Assembly
43	7041469	Hinge Pin—Float
44	7033751	Pull Clip—Float Needle
45	30-134	Needle and Seat Assembly
	KIT ONLY	Gasket—Needle Seat
46	7041459	Spring—Metering Rod—Primary
47	7031365	Baffle Plate—Float Bowl
48	17051340	Metering Rod—Primary
49	7031972	Metering Jet—Primary
50	17051792	Power Piston Assembly
51	7041471	Insert—Float Bowl
52	7029849	Retainer—Pump Discharge Ball
53	7002117	Ball—Pump Discharge
54	7036019	Spring—Power Piston
55	—	Clip—Pump Rod
56	7041473	Lockout Lever—Secondary
57	17051254	Filter Nut—Fuel Inlet
58	7024281	Gasket—Inlet Nut
59	17051796	Insert—Aneroid Cavity
60	GF-471	Filter—Fuel Inlet
61	7043568	Spring—Inlet Filter
62	7026138	Rod—Pump
63	7002121	Screw—Idle Stop
64	7003176	Spring—Idle Stop Screw
65	—	A.P.T. Rod Assembly
66	—	Aneroid Assembly
—	NONE	Solenoid & Bracket Assy.
—	NONE	Screw—Bracket Attaching (2)
	THROTTLE BODY PARTS	
67	7036079	Screw—Fast Idle Levers Attaching
68	7041498	Lever—Fast Idle
69	7029900	Spring—Fast Idle Screw
70	7044794	Screw—Fast Idle Adjusting
71	7041497	Lever—Cam Follower
72	KIT ONLY	Gasket—Throttle Body
73	—	Spring—Idle Needle
74	17062905	Idle Needle & Spring Assembly
75	7035790	Screw—Throttle Body
76	17051494	Spring—Cam Follower Lever
77	17061363	Throttle Body Assembly
78	476325	Insulator—Flange

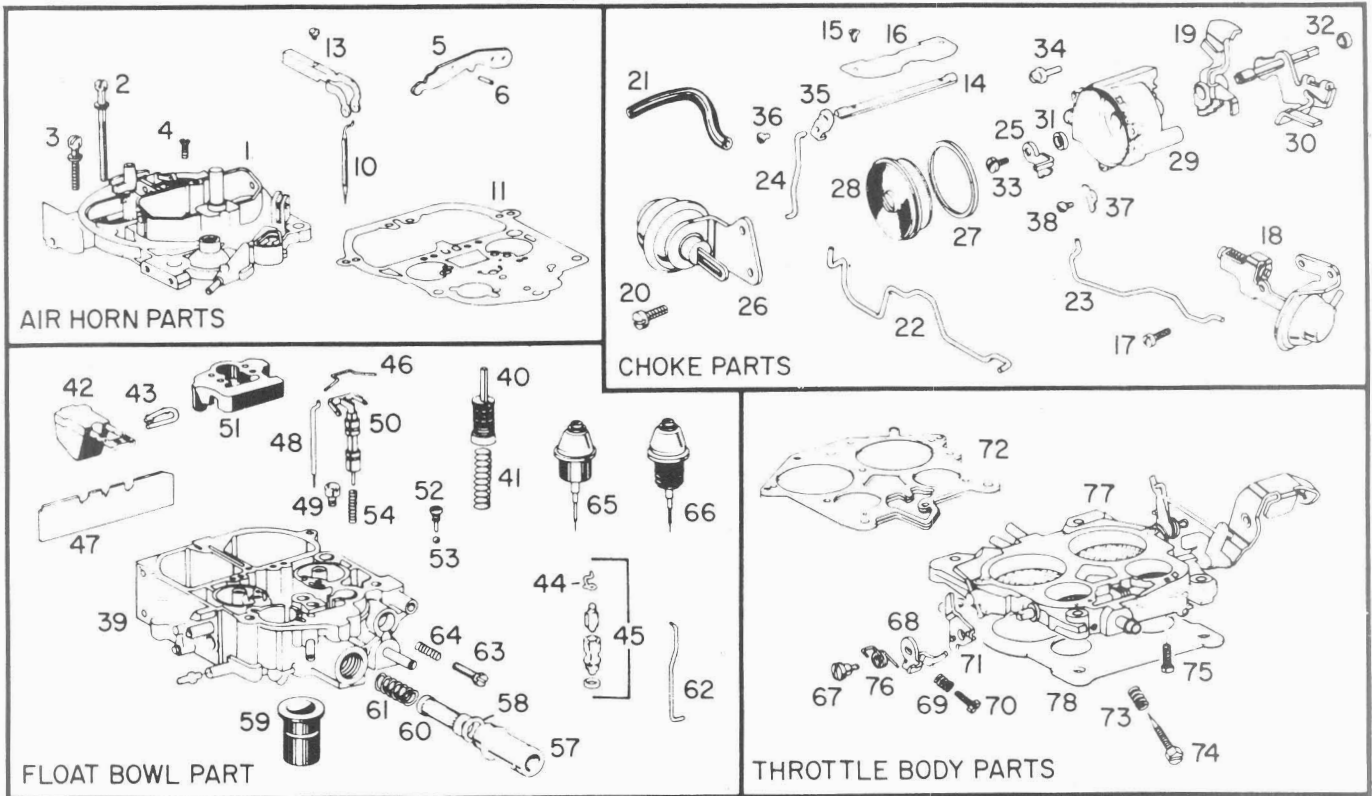


Delco Carburetor

BULLETIN: 9C-3155
DATE: APRIL 1979
PAGE: 1

MODEL M4MC QUADRAJET
1979 CHEVROLET CORVETTE (L-82)
350 CUBIC INCH ENGINE (HIGH PERFORMANCE)

A—Malibu; ASP—Monte Carlo; B—Impala, Caprice; F—Camaro; HSP—Monza; T—Chevette; X—Nova; Y—Corvette



PARTS SHOWN ARE FOR IDENTIFICATION ONLY. CONSULT PARTS LIST FOR CORRECT PART NAME AND NUMBER

PARTS IN ALL COLUMNS SAME — EXCEPT WHERE INDICATED

	FEDERAL Y NON A/C AUTO. TRANS.	FEDERAL Y A/C NON A/C 4-SP. M/T	FEDERAL Y AIR COND. AUTO. TRANS.	APPLICATION
	17059210	17059211	17059228	CARBURETOR No.
	24-3224	24-3223	24-3224	REPLACEMENT PKG. No.
	17065438			OVERHAUL KIT
	9372			POWER CARB. KIT
	40-488			GASKET SET
Illus. No.	AIR HORN PARTS			
1	17055901			Air Horn Assembly
2	7029912			Screw—Air Horn
3	7014699			Screw—Air Horn
4	7031105			Screw—Air Horn
5	7048169			Lever—Pump Actuating
6	9428787			Roll Pin—Pump & Lockout Lvrs.
7	—			Screw—Idle Vent Valve
8	—			Valve—Idle Vent
9	—			Idle Vent Valve Kit
10	7045779			Metering Rod—Secondary
11	17056357			Gasket—Air Horn
12	—			Lockout Lever—Air Valve
13	7034522			Sec. Metering Rod Holder Kit
—	7035344			Air Valve Spring & Cam Kit

	17059210	17059211	17059228	CARBURETOR No.
Illus. No.	CHOKE PARTS			
14	7038259			Choke Shaft
15	7029866			Screw—Choke Valve
16	7048904			Choke Valve
17	17050732			Screw—Vacuum Break Control
18	17053201			Vac. Brk. Control & Brkt. Assy.
19	17061541			Cam—Fast Idle
20	—			Screw—Aux. Vac. Brk. Mnting.
21	7026339			Hose—Vacuum
22	7041527			Rod—Vacuum Break
—	7031231			Lever—Inter. Choke
23	—			Link—Aux. Vac. Break
24	7041472			Rod—Choke
25	7041499			Lever—Choke Coil
26	—			Vac. Brk. Con. & Brkt. Assy. Aux.
27	17050961			Gasket—Stat Cover
28	17051918			Stat Cover—Coil & Gskt. Assy.
29	17055545			Choke Housing Kit
30	17050754			Inter. Choke Shaft & Lever
31	7037569			Seal Inter. Choke Shaft
32	7043367			Seal—Choke Housing to Bowl
33	7019709			Screw—Coil Lever
34	7038808			Screw—Choke Housing to Bowl
35	7041542			Lever—Choke
36	7029866			Screw—Choke Lever
37	7000614			Retainer—Stat Cover (3)
38	7011270			Screw—Stat Cover (3)
	FLOAT BOWL PARTS			
39	17065436			Float Bowl Assembly
40	17051374			Pump Assembly
41	7042979			Spring—Pump Return
42	7043379			Float Assembly
43	7041469			Hinge Pin—Float
44	7033751			Pull Clip—Float Needle
45	30-134			Needle & Seat Assembly
	KIT ONLY			
46	7041459			Gasket—Needle Seat
47	7031365			Spring—Metering Rod—Primary
48	17051353			Baffle Plate—Float Bowl
49	7031977			Metering Rod—Primary
50	17051792			Metering Jet—Primary
51	7041471			Power Piston Assembly
52	7029849			Insert—Float Bowl
53	7002117			Retainer—Pump Disch. Ball
54	17052057			Ball—Pump Discharge
55	—			Spring—Power Piston
56	7041473			Clip—Pump Rod
57	17051254			Lockout Lever—Secondary
58	7024281			Filter Nut—Fuel Inlet
59	17051796			Gasket—Inlet Nut
60	GF-471			Insert—Aneroid Cavity
61	7043568			Filter—Fuel Inlet
62	7026138			Spring—Inlet Filter
63	7002121			Rod—Pump
64	7003176			Screw—Idle Stop
65	—	—	—	Spring—Idle Stop Screw
66	—	—	—	A.P.T. Assembly
—	NONE	NONE	17061769	Aneroid Assembly
—	NONE	NONE	7043682	Solenoid and Bracket Assembly
	THROTTLE BODY PARTS			
67	7036079			Screw—Fast Idle Lvs.Attching.
68	7041498			Lever—Fast Idle
69	7029900			Spring—Fast Idle Screw
70	7044794			Screw—Fast Idle Adjusting
71	7041497			Lever—Cam Follower
72	KIT ONLY			Gasket—Throttle Body
73	—			Spring—Idle Needle
74	17062909			Idle Needle & Spring Assembly
75	7035790			Screw—Throttle Body
76	17051494			Spring—Cam Follower Lever
77	17061366	17061367	17061366	Throttle Body Assembly
78	476325			Insulator—Flange

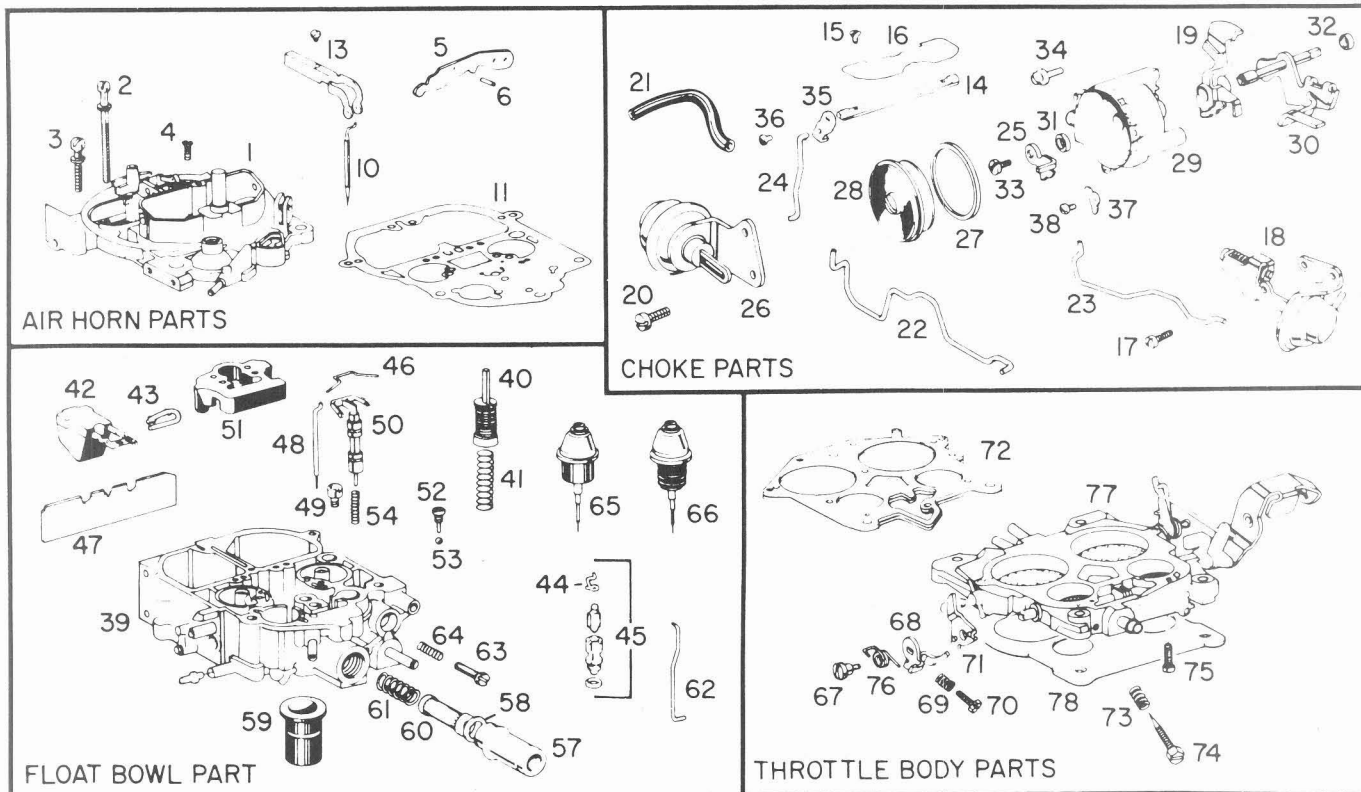


Delco Carburetor

MODEL M4MC QUADRAJET
1979 CHEVROLET & CAMARO
(CANADA ONLY Z-94-OPTION)
350 CU. IN. ENGINE

BULLETIN: 9C-3156
DATE: APRIL 1979
PAGE: 1

A-Malibu; ASP-Montre Carlo; B-Impala, Caprice; F-Camaro; HSP-Monza; T-Chevette; X-Nova; Y-Corvette



PARTS SHOWN ARE FOR IDENTIFICATION ONLY. CONSULT PARTS LIST FOR CORRECT PART NAME AND NUMBER

PARTS IN ALL COLUMNS SAME — EXCEPT WHERE INDICATED

Illus. No.	CANADA ONLY B AND F NON A/C AUTO. TRANS.	CANADA ONLY B AND F AIR COND. AUTO. TRANS.	APPLICATION
		17059282	17059284
	24-3225		REPLACEMENT PACKAGE No.
	17065440		OVERHAUL KIT
	9371		POWER CARBURETOR KIT
	40-488		GASKET SET
AIR HORN PARTS			
1	17055703		Air Horn Assembly
2	7029912		Screw—Air Horn
3	7014699		Screw—Air Horn
4	7031105		Screw—Air Horn
5	7048169		Lever—Pump Actuating
6	9428787		Roll Pin—Pump and Lockout Levers
7	—		Screw—Idle Vent Valve
8	—		Valve—Idle Vent
9	—		Idle Vent Valve Kit
10	7045779		Metering Rod—Secondary
11	17056357		Gasket—Air Horn
12	—		Lockout Lever—Air Valve
13	7034522		Secondary Metering Rod Holder Kit
—	7035344		Air Valve Spring and Cam Kit
14	7038259		Choke Shaft
15	7029866		Screw—Choke Valve
16	7048904		Choke Valve
17	17050732		Screw—Vacuum Break Control

	17059282	17059284	CARBURETOR No.
Illus. No.	CHOKE PARTS		
18	17050759		Vacuum Break Control and Bracket Assembly
19	17061541		Cam—Fast Idle
20	—		Screw—Aux. Vac. Brk. Mounting
21	7026339		Hose—Vacuum
22	7041527		Rod—Vacuum Break
—	7031231		Lever—Intermediate Choke
23	—		Link—Aux. Vac. Break
24	7041472		Rod—Choke
25	7041499		Lever—Choke Coil
26	—		Vacuum Break Control & Brkt. Assy. Aux.
27	17050961		Gasket—Stat Cover
28	17051918		Stat Cover—Coil & Gasket Assy.
29	17065162		Choke Housing Kit
30	17050754		Intermediate Choke Shaft & Lever
31	7037569		Seal—Inter. Choke Shaft
32	7043367		Seal—Choke Housing to Bowl
33	7019709		Screw—Coil Lever
34	7038808		Screw—Choke Housing to Bowl
35	7041542		Lever—Choke
36	7029866		Screw—Choke Lever
37	7000614		Retainer—Stat Cover (3)
38	7011270		Screw—Stat Cover (3)
	FLOAT BOWL PARTS		
39	17065430		Float Bowl Assembly
40	17051117		Pump Assembly
41	7042979		Spring—Pump Return
42	7043379		Float Assembly
43	7041469		Hing Pin—Float
44	7033751		Pull Clip—Float Needle
45	30-134		Needle and Seat Assembly
	KIT ONLY		Gasket—Needle Seat
46	7041459		Spring—Metering Rod—Primary
47	7031365		Baffle Plate—Float Bowl
48	17051351		Metering Rod—Primary
49	7031977		Metering Jet—Primary
50	17051792		Power Piston Assembly
51	7041471		Insert—Float Bowl
52	7029849		Retainer—Pump Discharge Ball
53	7002117		Ball—Pump Discharge
54	7029529		Spring—Power Piston
55	—		Clip—Pump Rod
56	7041473		Lockout Lever—Secondary
57	17051254		Filter Nut—Fuel Inlet
58	7024281		Gasket—Inlet Nut
59	17051796		Insert—Aneroid Cavity
60	GF-471		Filter—Fuel Inlet
61	7043568		Spring—Inlet Filter
62	7026138		Rod—Pump
63	7002121		Screw—Idle Stop
64	7003176		Spring—Idle Stop Screw
65	—	—	S.P.T. Rod Assembly
66	—	—	Aneroid Assembly
—	NONE	17061769	Solenoid & Bracket Assy.
—	NONE	7043682	Screw—Bracket Attaching (2)
	THROTTLE BODY PARTS		
67	17061371		Screw—Fast Idle Levers Attaching
68	7041498		Lever—Fast Idle
69	7029900		Spring—Fast Idle Screw
70	7044794		Screw—Fast Idle Adjusting
71	7041497		Lever—Cam Follower
72	KIT ONLY		Gasket—Throttle Body
73	—		Spring—Idle Needle
74	17062909		Idle Needle & Spring Assembly
75	7035790		Screw—Throttle Body
76	17051494		Spring—Cam Follower Lever
77	17061401		Throttle Body Assembly
78	476325		Insulator—Flange



Delco Carburetor

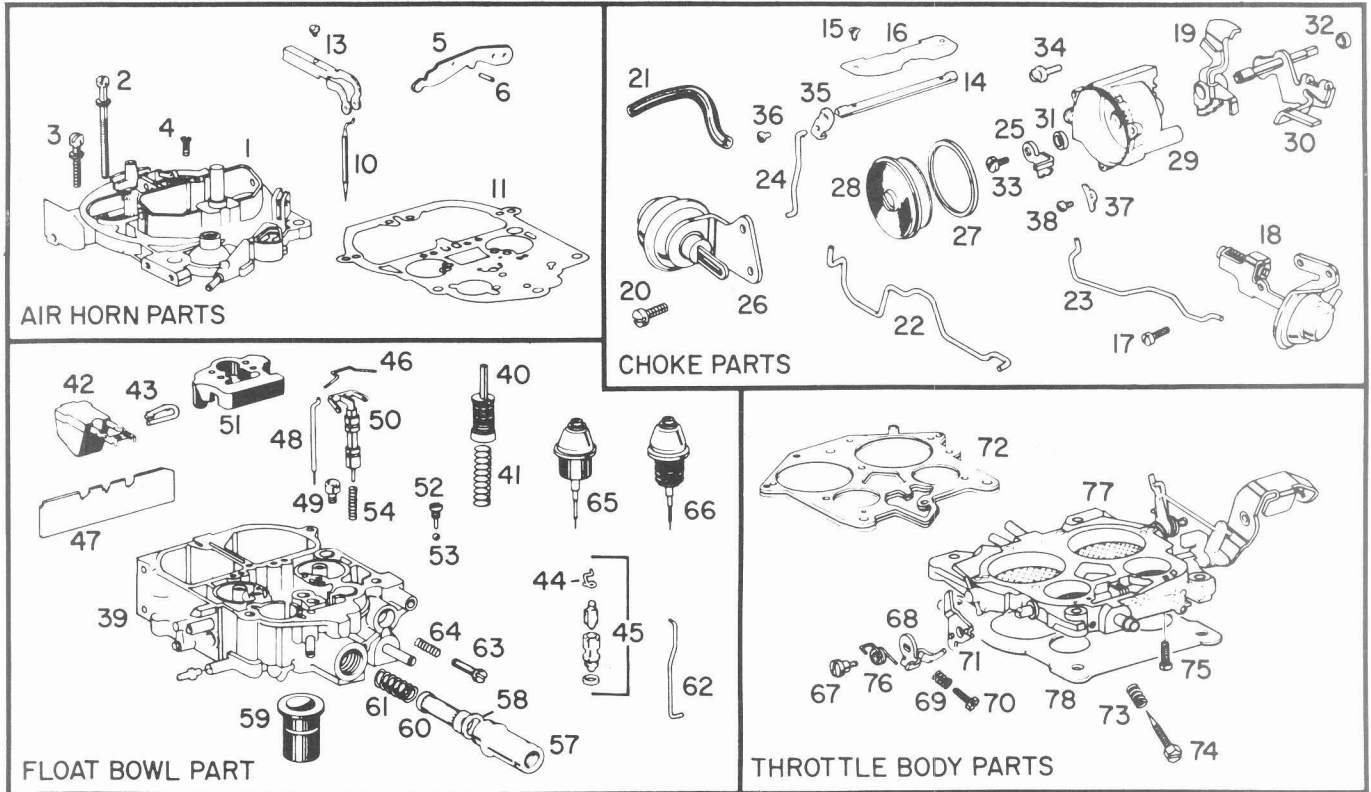
MODEL M4MC QUADRAJET

BULLETIN: 9C-3157
DATE: APRIL 1979
PAGE: 1

1979 CHEVROLET, CAMARO, NOVA, AND CORVETTE

350 CUBIC INCH ENGINE

A-Malibu; ASP-Monte Carlo; B-Impala, Caprice; F-Camaro; HSP-Monza; T-Chevette; X-Nova; Y-Corvette



PARTS SHOWN ARE FOR IDENTIFICATION ONLY. CONSULT PARTS LIST FOR CORRECT PART NAME AND NUMBER

PARTS IN ALL COLUMNS SAME — EXCEPT WHERE INDICATED

	CALIF. B, F, X, Y NON A/C A/T	CALIF. B, F, X, Y A/C A/T	APPLICATION
	17059502	17059504	CARBURETOR No.
	24-3220		REPLACEMENT PACKAGE No.
	17065434		OVERHAUL KIT
	9371		POWER CARBURETOR KIT
	40-488		GASKET SET
Illus. No.	AIR HORN PARTS		
1	17055703		Air Horn Assembly
2	7029912		Screw—Air Horn
3	7014699		Screw—Air Horn
4	7031105		Screw—Air Horn
5	7048169		Lever—Pump Actuating
6	9428787		Roll Pin—Pump and Lockout Levers
7	—		Screw—Idle Vent Valve
8	—		Valve—Idle Vent
9	—		Idle Vent Valve Kit
10	7045779		Metering Rod—Secondary
11	17056357		Gasket—Air Horn
12	—		Lockout Lever—Air Valve
13	7034522		Secondary Metering Rod Holder Kit
—	7035344		Air Valve Spring and Cam Kit

	17059502	17059504	CARBURETOR No.
	CHOKE PARTS		
14	7038259		Choke Shaft
15	7029866		Screw—Choke Shaft
16	7048904		Choke Valve
17	17050732		Screw—Vacuum Break Control
18	17050759		Vacuum Break Control and Bracket Assembly
19	17061541		Cam—Fast Idle
20	—		Screw—Aux. Vacuum Break Mounting
21	7026339		Hose—Vacuum
22	7041527		Rod—Vacuum Break
—	7031231		Lever—Intermediate Choke
23	—		Link—Aux. Vacuum Break
24	7041472		Rod—Choke
25	7041499		Lever—Choke Coil
26	—		Vacuum Break Control & Bracket Assy. Aux.
27	17050961		Gasket—Stat Cover
28	17051918		Stat Cover—Coil & Gasket Assy.
29	17065162		Choke Housing Kit
30	17050754		Intermediate Choke Shaft & Lever
31	7037569		Seal—Inter. Choke Shaft
32	7043367		Seal—Choke Housing to Bowl
33	7019709		Screw—Coil Lever
34	7038808		Screw—Choke Housing to Bowl
35	7041542		Lever—Choke
36	7029866		Screw—Choke Lever
37	7000614		Retainer—Stat Cover (3)
38	7011270		Screw—Stat Cover (3)
	FLOAT BOWL PARTS		
39	17065430		Float Bowl Assembly
40	17051117		Pump Assembly
41	7042979		Spring—Pump Return
42	7043379		Float Assembly
43	7041469		Hinge Pin—Float
44	7033751		Pull Clip—Float Needle
45	30-134		Needle and Seat Assembly
	KIT ONLY		
46	7041459		Gasket—Needle Seat
47	7031365		Spring—Metering Rod—Primary
48	17051340		Baffle Plate—Float Bowl
49	7031972		Metering Rod—Primary
50	17051792		Metering Jet—Primary
51	7041471		Power Piston Assembly
52	7029849		Insert—Float Bowl
53	7002117		Retainer—Pump Discharge Ball
54	7037305		Ball—Pump Discharge
55	—		Spring—Power Piston
56	7041473		Clip—Pump Rod
57	17051254		Lockout Lever—Secondary
58	7024281		Filter Nut—Fuel Inlet
59	17051796		Gasket—Inlet Nut
60	GF-471		Insert—Aneroid Cavity
61	7043568		Filter—Fuel Inlet
62	7026138		Spring—Inlet Filter
63	7002121		Rod—Pump
64	7003176		Screw—Idle Stop
65	—	—	Spring—Idle Stop Screw
66	—	—	A. P. T. Rod Assembly
—	—	17061769	Aneroid Assembly
—	—	7043682	Solenoid & Bracket Assy.
—	—	—	Screw—Bracket Attaching (2)
	THROTTLE BODY PARTS		
67	7036079		Screw—Fast Idle Levers Attaching
68	7041498		Lever—Fast Idle
69	7029900		Spring—Fast Idle Screw
70	7044794		Screw—Fast Idle Adjusting
71	7041497		Lever—Cam Follower
72	KIT ONLY		Gasket—Throttle Body
73	—		Spring—Idle Needle
74	17062905		Idle Needle & Spring Assembly
75	7035790		Screw—Throttle Body
76	17051494		Spring—Cam Follower Lever
77	17061364		Throttle Body Assembly
78	476325		Insulator—Flange



Delco Carburetor

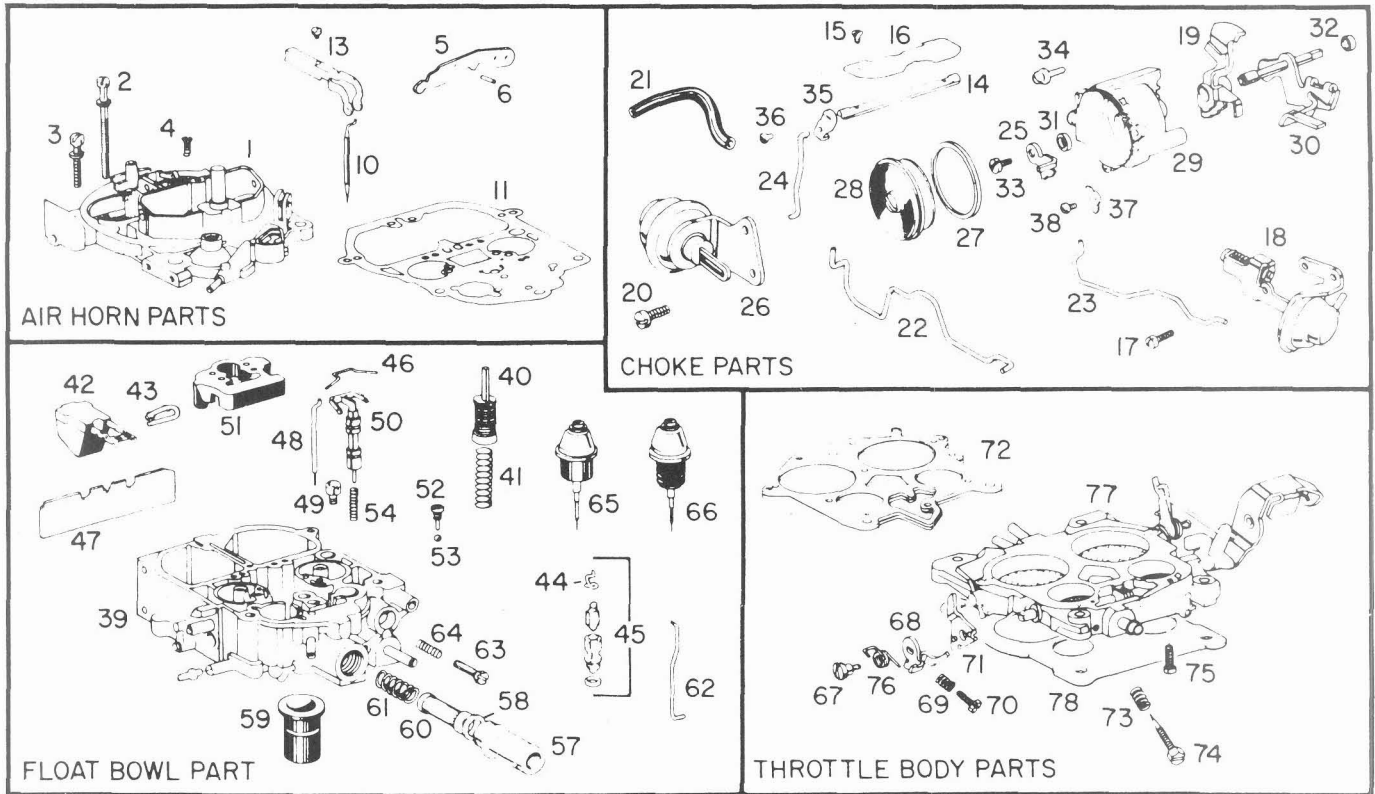
MODEL M4MC QUADRAJET

1979 CHEVROLET, CHEVELLE, CAMARO, NOVA,
CORVETTE, EL CAMINO & CABALLERO

350 CUBIC INCH ENGINE

A-Malibu; ASP-Monte Carlo; B-Impala, Caprice; F-Camaro; HSP-Monza; T-Chevette; X-Nova; Y-Corvette

BULLETIN: 9C-3158
DATE: APRIL 1979
PAGE: 1



PARTS SHOWN ARE FOR IDENTIFICATION ONLY. CONSULT PARTS LIST FOR CORRECT PART NAME AND NUMBER

PARTS IN ALL COLUMNS SAME — EXCEPT WHERE INDICATED

	ALTITUDE A-WAG, B, F, X, Y EL CAMINO CABALLERO NON A/C AUTO. TRANS.	ALTITUDE A-WAGON B, F, X, Y EL CAMINO CABALLERO AIR COND. AUTO. TRANS.	APPLICATION
	17059582	17059584	CARBURETOR No.
	24-3222		REPLACEMENT PACKAGE No.
	17065434		OVERHAUL KIT
	9371		POWER CARBURETOR KIT
	40-488		GASKET SET
Illus. No.	AIR HORN PARTS		
1	17055703		Air Horn Assembly
2	7029912		Screw—Air Horn
3	7014699		Screw—Air Horn
4	7031105		Screw—Air Horn
5	7048169		Lever—Pump Actuating
6	9428787		Roll Pin—Pump and Lockout Levers
7	—		Screw—Idle Vent Valve
8	—		Valve—Idle Vent
9	—		Idle Vent Valve Kit
10	7045779		Metering Rod—Secondary
11	17056357		Gasket—Air Horn
12	—		Lockout Lever—Air Valve
13	7034522		Secondary Metering Rod Holder Kit
—	7035344		Air Valve Spring and Cam Kit

	17059582	17059584	CARBURETOR No.
Illus. No.		CHOKE PARTS	
14	7038259		Choke Shaft
15	7029866		Screw—Choke Shaft
16	7048904		Choke Valve
17	17050732		Screw—Vacuum Break Control
18	17050759		Vacuum Break Control and Bracket Assembly
19	17061541		Cam—Fast Idle
20	—		Screw—Aux. Vac. Brk. Mounting
21	7026339		Hose—Vacuum
22	7041527		Rod—Vacuum Break
—	7031231		Lever—Intermediate Choke
23	—		Link—Aux. Vac. Break
24	7041472		Rod—Choke
25	7041499		Lever—Choke Coil
26	—		Vacuum Break Control & Brkt. Assy. Aux.
27	17050961		Gasket—Stat Cover
28	7036948		Stat Cover—Coil & Gasket Assy.
29	17065162		Choke Housing Kit
30	17050754		Intermediate Choke Shaft & Lever
31	7037569		Seal—Inter. Choke Shaft
32	7043367		Seal—Choke Housing to Bowl
33	7019709		Screw—Coil Lever
34	7038808		Screw—Choke Housing to Bowl
35	7041542		Lever—Choke
36	7029866		Screw—Choke Lever
37	7000614		Retainer—Stat Cover (3)
38	7011270		Screw—Stat Cover (3)
		FLOAT BOWL PARTS	
39	17065430		Float Bowl Assembly
40	17051117		Pump Assembly
41	7042979		Spring—Pump Return
42	7043379		Float Assembly
43	7041469		Hinge Pin—Float
44	7033751		Pull Clip—Float Needle
45	30-134		Needle and Seat Assembly
	KIT ONLY		Gasket—Needle Seat
46	7041459		Spring—Metering Rod—Primary
47	7031365		Baffle Plate—Float Bowl
48	17051341		Metering Rod—Primary
49	7031971		Metering Jet—Primary
50	17051792		Power Piston Assembly
51	7041471		Insert—Float Bowl
52	7029849		Retainer—Pump Discharge Ball
53	7002117		Ball—Pump Discharge
54	7036019		Spring—Power Piston
55	—		Clip—Pump Rod
56	7041473		Lockout Lever—Secondary
57	17051254		Filter Nut—Fuel Inlet
58	7024281		Gasket—Inlet Nut
59	17051796		Insert—Aneroid Cavity
60	GF-471		Filter—Fuel Inlet
61	7043568		Spring—Inlet Filter
62	7026138		Rod—Pump
63	7002121		Screw—Idle Stop
64	7003176		Spring—Idle Stop Screw
65	—	—	A. P. T. Rod Assembly
66	—	—	Aneroid Assembly
—	NONE	17061769	Solenoid & Bracket Assy.
—	NONE	7043682	Screw—Bracket & Attaching (2)
		THROTTLE BODY PARTS	
67	7036079		Screw—Fast Idle Levers Attaching
68	7041498		Lever—Fast Idle
69	7029900		Spring—Fast Idle Screw
70	7044794		Screw—Fast Idle Adjusting
71	7041497		Lever—Cam Follower
72	KIT ONLY		Gasket—Throttle Body
73	—		Spring—Idle Needle
74	17062905		Idle Needle & Spring Assembly
75	7035790		Screw—Throttle Body
76	17051494		Spring—Cam Follower Lever
77	17061364		Throttle Body Assembly
78	476325		Insulator—Flange