



Delco Carburetor

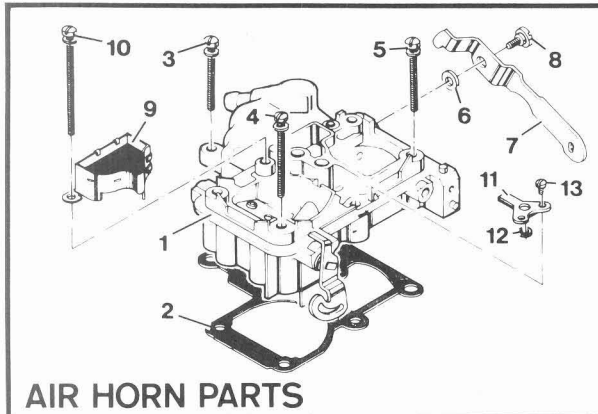
MODEL 2SE-VARAJET II

1980 CHEVROLET CITATION

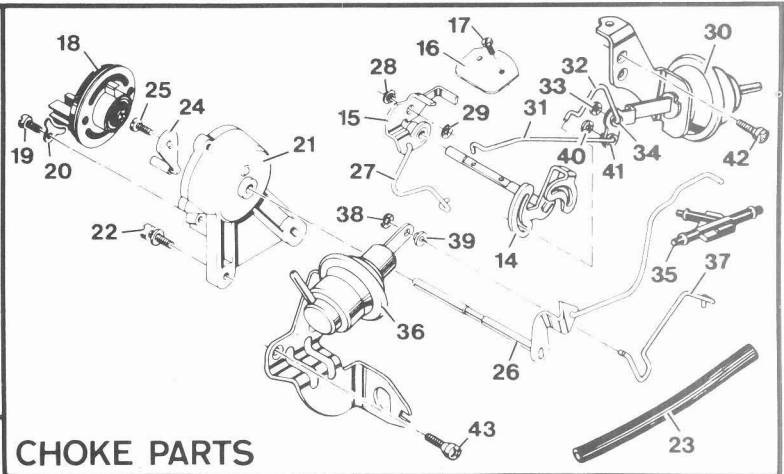
151 CUBIC INCH ENGINE (TRANSVERSE)

BULLETIN: 9C-3159
DATE: APRIL 1979
PAGE: 1

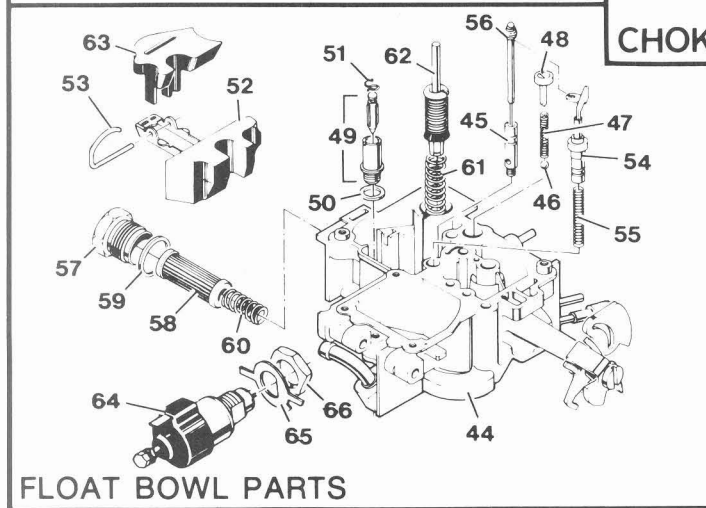
A-Malibu; ASP-Monte Carlo; B-Impala, Caprice; F-Camaro; HSP-Monza; T-Chevette; X-Citation; Y-Corvette



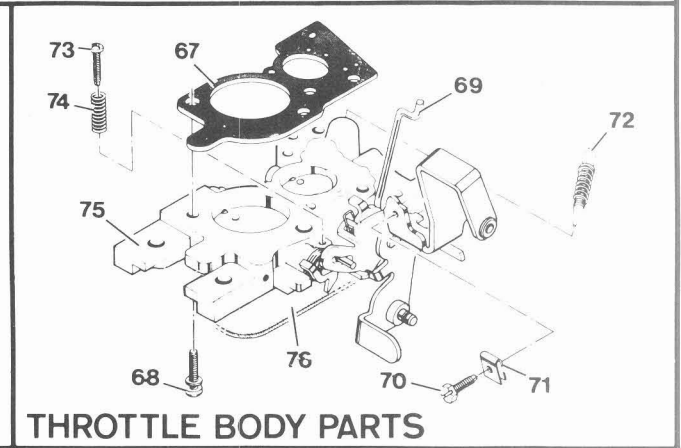
AIR HORN PARTS



CHOKE PARTS



FLOAT BOWL PARTS



THROTTLE BODY PARTS

PARTS SHOWN ARE FOR IDENTIFICATION ONLY. CONSULT PARTS LIST FOR CORRECT PART NAME AND NUMBER

PARTS IN ALL COLUMNS SAME — EXCEPT WHERE INDICATED

	FEDERAL X NON A/C AUTO. TRANS.	FEDERAL X NON A/C 4-SP. M/T	FEDERAL X AIR COND. AUTO. TRANS.	FEDERAL X AIR COND. 4-SP. M/T	APPLICATION
	17059614	17059615	17059616	17059617	CARBURETOR No.
	22-6091	22-6094	22-6092	22-6093	REPLACEMENT PKG. No.
	17065948	17065984	17065948	17065984	OVERHAUL KIT
	9387	9392	9387	9392	POWER CARBURETOR KIT
	40-498				GASKET KIT
Illus. No.	AIR HORN PARTS				
1	17065944	17065985	17065945	17065985	Air Horn Assembly
2	17058440				Gasket—Air Horn
3	7045442				Screw—Air Horn (Short)
4	7045444				Screw—Air Horn
5	—				Screw—Air Horn
6	17058548				Washer—Pump Lever
7	17057549				Pump Lever
8	7045437				Screw—Pump Lever
9	17057496				Vent Stack Assembly
10	17061983				Screw—Vent Stack Attaching
11	NONE	NONE	17061454	NONE	Idle Compensator Assembly
12	NONE	NONE	7027970	NONE	Gasket—Idle Compensator
13	NONE	NONE	17057179	NONE	Screw—Idle Compensator
—	KIT ONLY				Gasket—Air Cleaner

	17059614	17059615	17059616	17059617	CARBURETOR No.
Illus. No.	CHOKE PARTS				
14	7045494				Choke Shaft and Lever Assembly
15	17063830				Choke Lever and Bushing Assembly
16	7045276				Choke Valve
17	17059914				Screw—Choke Valve
18	17061959				Electric Stat Cover & Coil Assy.
19	17066027				Stat Cover and Retainer Kit
20	7000614				Retainer—Stat Cover
21	17057540				Choke Housing
22	7045458				Screw—Choke Housing to Thr. Body
23	17051190				Hose—Vacuum
24	17061882				Choke Lever & Contact Assy.
25	7045454				Screw—Choke Lever
26	7045451				Intermediate Choke Shaft & Lever
27	17062279				Link—Fast Idle Cam
28	7045462				Bushing—Link Inter. Choke Shaft and Lever
29	17058193				Retainer—Link Inter. Choke Shaft and Lever
30	17058485				Vacuum Brk. & Brkt. — Primary
31	17062125				Link—Air Valve
32	17062221				Link—Vacuum Brk. — Primary
33	17058193				Retainer—Link Vac. Brk. Primary
34	7045462				Bushing—Link Vac. Brk. Primary
35	—				Tee—Vacuum Hose
36	—				Vacuum Brk. & Brkt. — Secondary
37	—				Link—Vacuum Break — Secondary
38	—				Retainer—Link Vac. Brk. Secondary
39	—				Bushing — Link Vac. Brk. Secondary
40	17058193				Retainer—Link Air Valve
41	7045462				Bushing—Link Air Valve
42	7045470				Screw—Vac. Break Attach. (Top)
43	7045558				Screw—Vac. Break Attach. (Bottom)
	FLOAT BOWL PARTS				
44	17065946	17065992	17065946	17065992	Float Bowl Assembly
45	17062805	17062804	17062805	17062804	Jet—Primary Metering
46	7002117				Ball—Pump Discharge
47	7002118				Spring—Pump Discharge
48	7045351				Guide—Pump Discharge
49	35-143				Needle & Seat Assembly
50	KIT ONLY				Gasket—Needle Seat
51	7033751				Clip—Float Valve
52	17056073				Float Assembly
53	7045353				Hinge Pin—Float Assembly
54	7045359				Power Piston Assembly
55	7025907				Spring—Power Piston
56	17065947	17065983	17065947	17065983	Metering Rod and Spring Assy.
57	17061289				Filter Nut—Fuel Inlet
58	GF-470				Filter—Fuel Inlet
59	7024281				Gasket—Filter Nut
60	7032732				Spring—Fuel Filter
61	7042979				Spring—Pump Return
62	17061815	17063274	17061815	17063274	Pump Assembly
63	7045395				Insert—Float Bowl
64	17061814				Solenoid—Idle Stop
65	7045479				Washer—Tab Locking
66	9420169				Nut—Solenoid Retaining
	THROTTLE BODY PARTS				
67	KIT ONLY				Gasket—Throttle Body
68	17060653				Screw—Throttle Body
69	17057557				Pump—Rod
70	17057491				Screw—Cam
71	17057492				Clip—Cam Screw
72	17062905				Idle Needle & Spring Assembly
73	17057276				Screw—Throttle Stop
74	7011479				Spring—Throttle Stop Screw
75	17063071	17063283	17063071	17063283	Throttle Body Assembly
76	10010208				Gasket Flange



Delco Carburetor

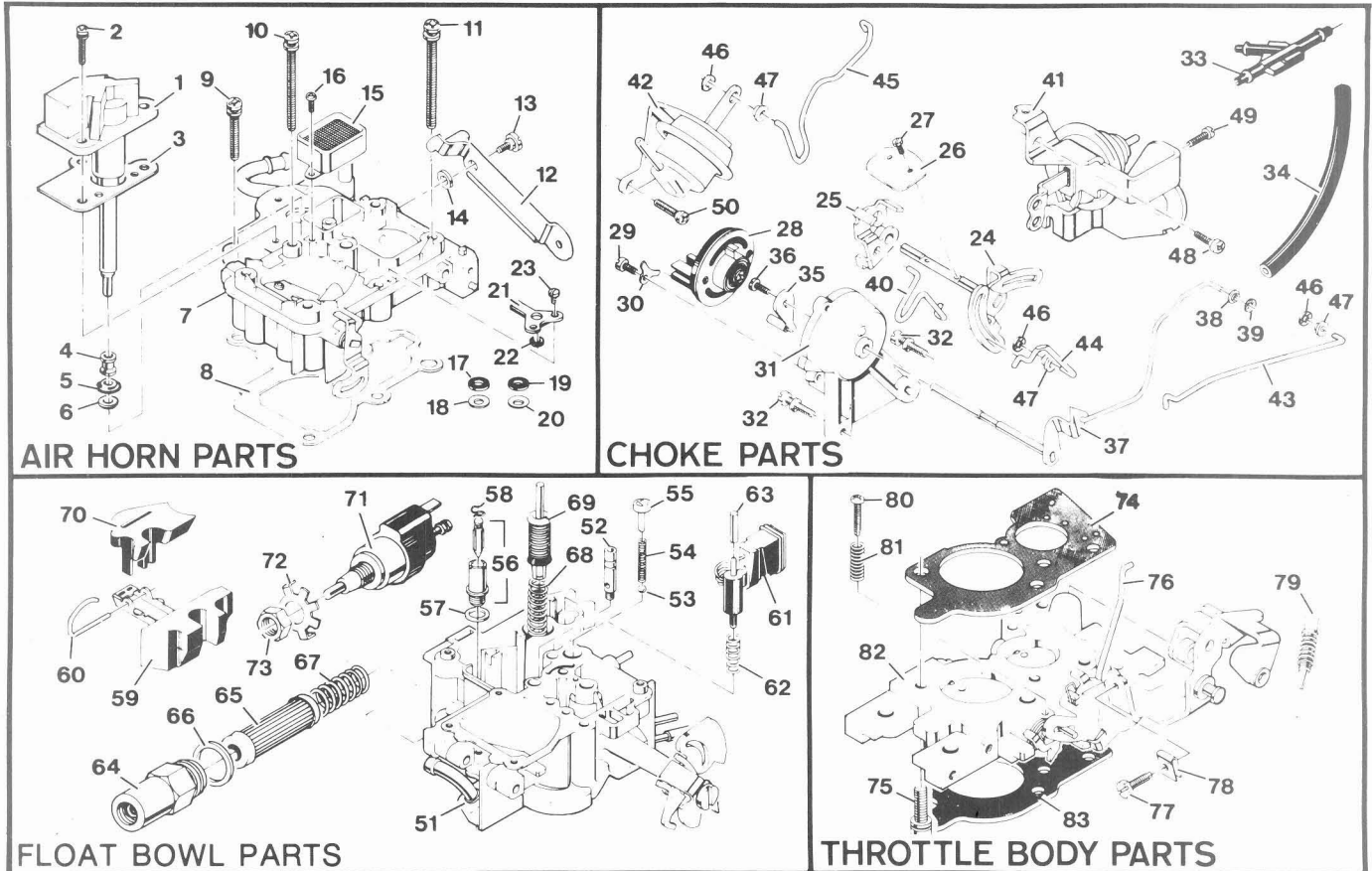
MODEL E2SE-VARAJET II (C-4 SYSTEM)

1980 CHEVROLET CITATION

151 CUBIC INCH ENGINE (TRANSVERSE)

BULLETIN: 9C-3160
DATE: APRIL 1979
PAGE: 1

A-Malibu; ASP-Monte Carlo; B-Impala, Caprice; F-Camaro; HSP-Monza; T-Chevette; X-Citation; Y-Corvette



PARTS SHOWN ARE FOR IDENTIFICATION ONLY. CONSULT PARTS LIST FOR CORRECT PART NAME AND NUMBER

PARTS IN ALL COLUMNS SAME — EXCEPT WHERE INDICATED

	CALIF. X NON A/C AUTO. TRANS.	CALIF. X NON A/C MAN. TRANS.	CALIF. X AIR COND. AUTO. TRANS.	CALIF. X AIR COND. MAN. TRANS.	APPLICATION
	17059714	17059715	17059716	17059717	CARBURETOR No.
	22-6095	22-6098	22-6096	22-6097	REPLACEMENT PKG. No.
	17066001				OVERHAUL KIT
	9394				POWER CARBURETOR SET
	40-500				GASKET KIT
Illus. No.	AIR HORN PARTS				
1	17062172				Mixture Control Solenoid
2	17062730				Screw—Solenoid Attaching (3)
3	17057511				Gasket—Air Horn to Solenoid
4	17057521				Adapter—Solenoid Seal
5	17057520				Seal—Solenoid to Float Bowl
6	17062173				Retainer—Solenoid Seal
7	17065997	17066057	17065998	17066078	Air Horn Assembly
8	17058441				Gasket—Air Horn
9	7045442				Screw—Air Horn (Short) (3)
10	7045444				Screw—Air Horn (3)
11	—				Screw & Washer Assy. — AH to Bowl
12	17057549				Pump Lever
13	7045437				Screw—Pump Lever
14	17058548				Washer—Pump Lever
15	17063314				Vent Stack Assembly

	17059714	17059715	17059716	17059717	CARBURETOR No.
AIR HORN PARTS (Continued)					
Illus. No.					
16	17057179				Screw—Vent Stack Attaching (2)
—	KIT ONLY				Gasket—Air Cleaner
17	KIT ONLY				Seal—Pump Stem
18	KIT ONLY				Retainer—Seal
19	—				Seal—Throttle Sensor
20	—				Retainer Seal
21	NONE	NONE	17061454	NONE	Idle Compensator Assembly
22	NONE	NONE	7027970	NONE	Gasket—Idle Compensator
23	NONE	NONE	17057179	NONE	Screw—Idle Compensator
CHOKE PARTS					
24	7045494				Choke Shaft and Lever Assembly
25	17063830				Choke Lever and Bushing Assembly
26	7045276				Choke Valve
27	17059914				Screw—Choke Valve (2)
28	17061959				Electric Stat Cover & Coil
29	17066027				Stat Cover Retainer Kit
30	7000614				Retainer—Stat Cover
31	17057540				Choke Housing
32	7045458				Screw—Choke Housing (2)
33	—				Tee—Vacuum Hose—Pri. Side
34	17051190				Hose—Vacuum
35	17061882				Choke Lever & Contact Assy.
36	7045454				Screw—Choke Lever
37	7045451				Inter. Choke Shaft & Lever
38	7045462				Bushing—Inter. Choke Shaft & Lever
39	17058193				Retainer—Inter. Choke Shaft & Lever
40	17062279				Link—Fast Idle Cam
41	17058485				Vacuum Break & Bracket — Pri.
42	—				Vacuum Break & Bracket — Sec.
43	17062125				Link—Air Valve
44	17062221				Link—Vacuum Break — Pri.
45	—				Link—Vacuum Break — Sec.
46	17058193				Retainer—Vac. Break Link (2)
47	7045462				Bushing—Vac. Break Link (2)
48	7045470				Screw—Vac. Break Att.—Pri. (Top)
49	7045558				Screw—Vac. Break Att.—Pri. (Bottom)
—	—				Screw—Vac. Break Att.—Pri. (2)
50	—				Screw—Vac. Break Att.—Sec. (2)
FLOAT BOWL PARTS					
51	17065999	17066014	17066053	17066014	Float Bowl Assembly
52					Jet—Primary Metering
53	7002117				Ball—Pump Discharge
54	7002118				Spring—Pump Discharge
55	7045351				Guide—Pump Discharge
56	35-143				Needle & Seat Assembly
57	KIT ONLY				Gasket—Needle Seat
58	7033751				Clip—Float Valve
59	17056073				Float Assembly
60	7045353				Hinge Pin—Float
61	—				Throttle Position Sensor
62	—				Spring—Throttle Position Sensor
63	—				Plunger—Throttle Position Sensor
64	17061239				Filter Nut—Fuel Inlet
65	GF-470				Filter—Fuel Inlet
66	7024281				Gasket—Filter Nut
67	7032732				Spring—Fuel Filter
68	7042979				Spring—Pump Return
69	17061815				Pump Assembly
70	7045395				Insert—Float Bowl
71	17061814				Solenoid—Idle Stop
72	7045479				Washer—Tab Locking
73	9420169				Nut—Solenoid Retaining
THROTTLE BODY PARTS					
74	KIT ONLY				Gasket—Throttle Body
75	17060653				Screw—Throttle Body (4)
76	17057557				Pump Rod
77	17057491				Screw—Cam
78	17057492				Clip—Cam Screw
79	17062905				Idle Needle & Spring
80	17057276				Screw—Throttle Stop
81	7011479				Spring—Throttle Stop Screw
82	17063520	17063862	17063522	17063862	Throttle Body Assembly
83	10010208				Gasket Flange



Delco Carburetor

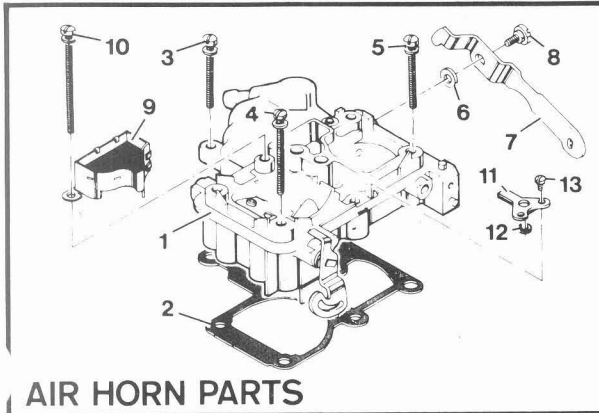
MODEL 2SE-VARAJET II

1980 CHEVROLET CITATION

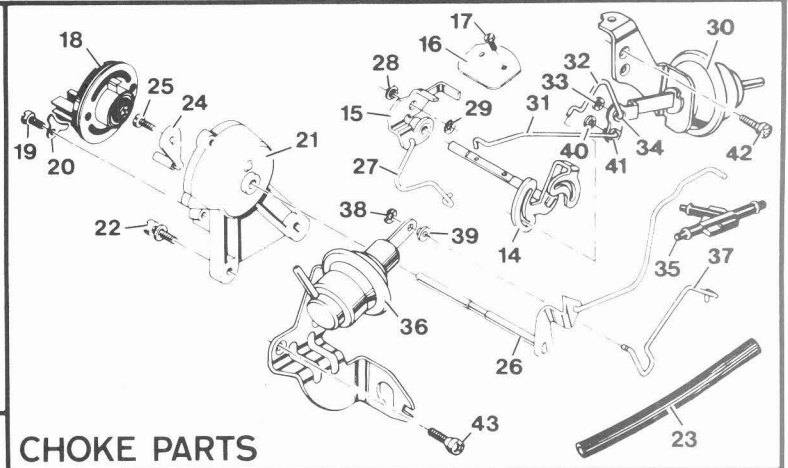
171 CUBIC INCH ENGINE (TRANSVERSE)

BULLETIN: 9C-3161
 DATE: APRIL 1979
 PAGE: 1

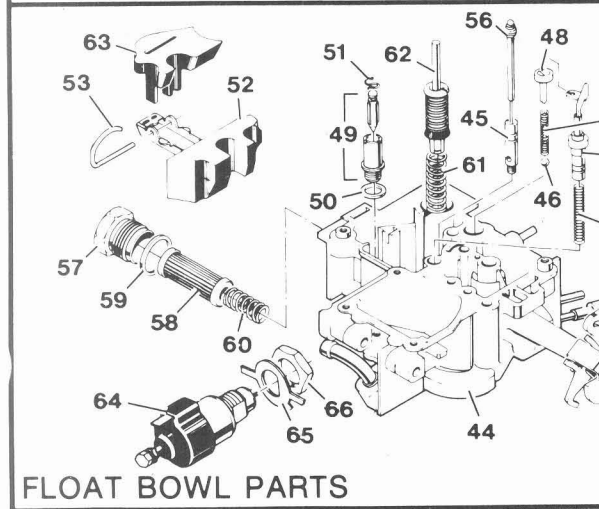
A-Malibu; ASP-Monte Carlo; B-Impala, Caprice; F-Camaro; HSP-Monza; T-Chevette; X-Nova; Y-Corvette



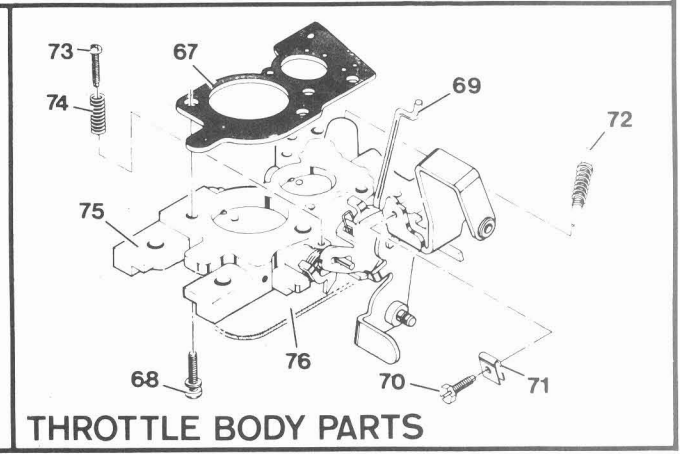
AIR HORN PARTS



CHOKE PARTS



FLOAT BOWL PARTS



THROTTLE BODY PARTS

PARTS SHOWN ARE FOR IDENTIFICATION ONLY. CONSULT PARTS LIST FOR CORRECT PART NAME AND NUMBER

PARTS IN ALL COLUMNS SAME — EXCEPT WHERE INDICATED

	FEDERAL X-BODY NON A/C AUTO. TRANS.	FEDERAL X-BODY NON A/C MAN. TRANS.	FEDERAL X-BODY AIR COND. AUTO. TRANS.	FEDERAL X-BODY AIR COND. MAN. TRANS.	APPLICATION
	17059650	17059651	17059652	17059653	CARBURETOR No.
	22-3240	22-3243	22-3241	22-3243	REPLACEMENT PKG. No.
	17066021	17066028	17066021	17066028	OVERHAUL KIT
	9395				POWER CARBURETOR KIT
	40-501				GASKET KIT
Illus. No.	AIR HORN PARTS				
1	17066017	17066045	17066017	17066045	Air Horn Assembly
2	17061675				Gasket—Air Horn
3	7045442				Screw—Air Horn (Short) (3)
4	7045444				Screw—Air Horn (3)
5	17060710				Screw—Air Horn (1)
6					
7	17058598				Pump Lever
8	7045437				Screw—Pump Lever
9	17057496				Vent Stack Assembly
10	17061983				Screw—Vent Stack Attaching
11	—				Idle Compensator Assembly
12	—				Gasket—Idle Compensator
13	—				Screw—Idle Compensator
—	KIT ONLY				Gasket—Air Cleaner

	17059650	17059651	17059652	17059653	CARBURETOR No.
Illus. No.	CHOKE PARTS				
14	7045256				Choke Shaft and Lever Assembly
15	17062205				Choke Lever and Bushing Assembly
16	7045276				Choke Valve
17	17059914				Screw—Choke Valve
18	17063239	17062601	17063239	17062601	Electric Stat Cover & Coil Assy.
19	17066027				Stat Cover Retainer Kit
20	7000614				Retainer—Stat Cover
21	17057540				Choke Housing
22	7045458				Screw—Choke Housing to Thr. Body
23	17051190				Hose—Vacuum
24	17061882				Choke Lever & Contact Assy.
25	7045454				Screw—Choke Lever
26	17060997				Intermediate Choke Shaft & Lever
27	17062207				Link—Fast Idle Cam
28	17063894				Bushing—Link Inter. Choke Shaft and Lever
29	17058193				Retainer—Link Inter. Choke Shaft and Lever
30	17062344	17062342	17062342	17062342	Vacuum Brk. & Brkt.—Primary
31	17062349				Link—Air Valve
32	17062350				Link—Vacuum Brk.—Primary
33	17058193				Retainer—Link Vac. Brk. Primary
34	17063894				Bushing—Link Vac. Brk. Primary
35	10003617				Tee—Vacuum Hose
36	17062339				Vacuum Brk. & Brkt.—Secondary
37	17063895				Link—Vacuum Break—Secondary
38	17058193				Retainer—Link Vac. Brk. Secondary
39	17063894				Bushing—Link Vac. Brk. Secondary
40	17058193				Retainer—Link Air Valve
41	17063894				Bushing—Link Air Valve
42	7045470				Screw—Vac. Break Primary
43	7045558				Screw—Vac. Break Secondary
	FLOAT BOWL PARTS				
44	17066018				Float Bowl Assembly
45	17062810	17062809	17062810	17062809	Jet—Primary Metering
46	7002117				Ball—Pump Discharge
47	7002118				Spring—Pump Discharge
48	7045351				Guide—Pump Discharge
49	35-156				Needle & Seat Assembly
50	KIT ONLY				Gasket—Needle Seat
51	7033751				Clip—Float Valve
52	17056073				Float Assembly
53	7045353				Hinge Pin—Float Assembly
54	7045359				Power Piston Assembly
55	7037851				Spring—Power Piston
56	17066019	17065947	17066019	17065947	Metering Rod and Spring Assy.
57	17060216				Filter Nut—Fuel Inlet
58	GF-471				Filter—Fuel Inlet (GF-471)
59	7024281				Gasket—Filter Nut
60	7032732				Spring—Fuel Filter
61	17060690				Spring—Pump Return
62	17061073				Pump Assembly
63	7045395				Insert—Float Bowl
64	NONE	17060708	17060708	17060708	Solenoid—Idle Stop
65	NONE	7045479	7045479	7045479	Washer—Tab Locking
66	NONE	9420169	9420169	9420169	Nut—Solenoid Retaining
	THROTTLE BODY PARTS				
67	KIT ONLY				Gasket—Throttle Body
68	17060653				Screw—Throttle Body
69	17057049				Pump Rod
70	17058191				Screw—Cam
71	17057492				Clip—Cam Screw
72	17062905				Idle Needle & Spring Assembly
73	17057276				Screw—Throttle Stop
74	7011479				Spring—Throttle Stop Screw
75	17062964	17062965	17062964	17062965	Throttle Body Assembly
76	14002056				Gasket—Flange



Delco Carburetor

MODEL 2SE — VARAJET II

1980 CHEVROLET CITATION

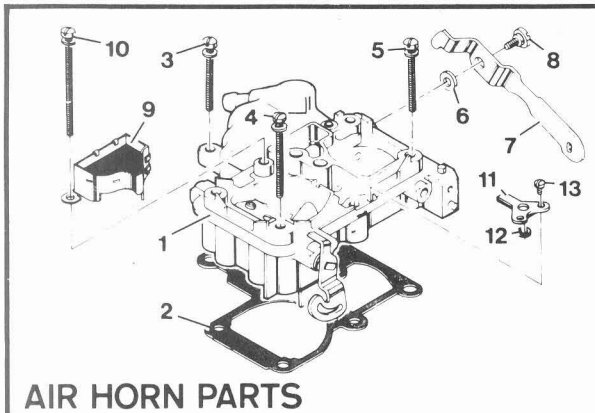
173 CUBIC INCH ENGINE (TRANSVERSE)

BULLETIN: 9C-3162

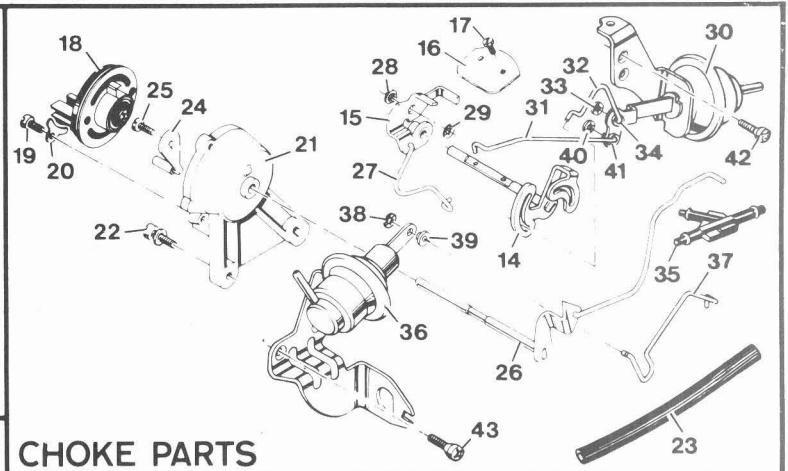
DATED: APRIL 1979

PAGE: 1

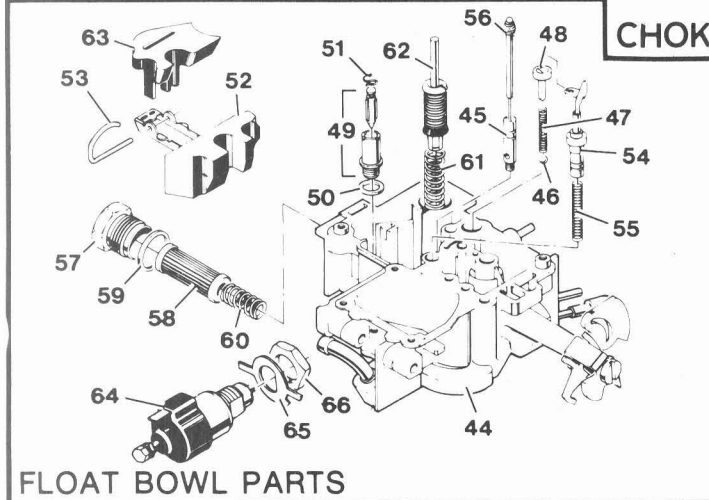
A-Malibu; ASP-Monte Carlo; B-Impala, Caprice; F-Camaro; HSP-Monza; T-Chevette; X-Citation; Y-Corvette



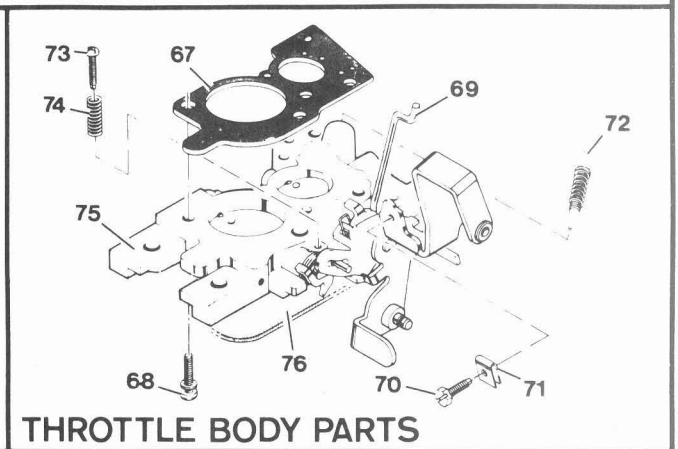
AIR HORN PARTS



CHOKE PARTS



FLOAT BOWL PARTS



THROTTLE BODY PARTS

PARTS SHOWN ARE FOR IDENTIFICATION ONLY. CONSULT PARTS LIST FOR CORRECT PART NAME AND NUMBER

PARTS IN ALL COLUMNS SAME — EXCEPT WHERE INDICATED

	ALTITUDE X NON AIR COND. AUTO. TRANS.	ALTITUDE X NON AIR COND. MAN. TRANS.	ALTITUDE X AIR COND. AUTO. TRANS.	ALTITUDE X AIR COND. MAN. TRANS.	APPLICATION
	17059750	17059751	17059752	17059753	CARBURETOR No.
	22-3244	22-3246	22-3245	22-3246	REPLACEMENT PKG. No.
	17066035				OVERHAUL KIT
	9395				POWER CARBURETOR KIT
	40-501				GASKET KIT
Illus. No.	AIR HORN PARTS				
1	17066033	17066040	17066033	17066040	Air Horn Assembly
2	17061675				Gasket—Air Horn
3	7045442				Screw—Air Horn (Short) (3)
4	7045444				Screw—Air Horn (3)
5	17060710				Screw—Air Horn (1)
6	17058548				Washer—Pump Lever
7	17058598				Pump Lever
8	7045437				Screw—Pump Lever
9	17057496				Vent Stack Assembly
10	17061983				Screw—Vent Stack Attaching
11	—				Idle Compensator Assembly
12	—				Gasket—Idle Compensator
13	—				Screw—Idle Compensator
—	KIT ONLY				Gasket—Air Cleaner

	17059750	17059751	17059752	17059753	CARBURETOR No.
Illus. No.	CHOKE PARTS				
14	7045256				Choke Shaft and Lever Assembly
15	17062205				Choke Lever and Brushing Assembly
16	7045276				Choke Valve
17	17059914				Screw—Choke Valve
18	17062601				Electric Stat Cover & Coil Assy.
19	17066027				Stat Cover Retainer Kit
20	7000614				Retainer—Stat Cover
21	17057540				Choke Housing
22	7045458				Screw—Choke Housing to Thr. Body
23	17051190				Hose—Vacuum
24	17061882				Choke Lever & Contact Assy.
25	7045454				Screw—Choke Lever
26	17060997				Intermediate Choke Shaft & Lever
27	17062207				Link—Fast Idle Cam
28	17063894				Bushing—Link Inter. Choke Shaft and Lever
29	17058193				Retainer—Link Inter. Choke Shaft and Lever
30	17062344	17062342	17062342	17062342	Vacuum Brk. & Brkt.—Primary
31	17062349				Link—Air Valve
32	17062350				Link—Vacuum Brk.—Primary
33	17058193				Retainer—Link Vac. Brk. Primary
34	17063894				Bushing—Link Vac. Brk. Primary
35	—				Tee—Vacuum Hose
36	17062339				Vacuum Brk. & Brkt.—Secondary
37	17063895				Link—Vacuum Break—Secondary
38	17058193				Retainer—Link Vac. Brk. Secondary
39	17063894				Bushing—Link Vac. Brk. Secondary
40	17058193				Retainer—Link Air Valve
41	17063894				Bushing—Link Air Valve
42	7045470				Screw—Vac. Break Primary
43	7045558				Screw—Vac. Break Secondary
	FLOAT BOWL PARTS				
44	17066034				Float Bowl Assembly
45	17062809				Jet—Primary Metering
46	7002117				Ball—Pump Discharge
47	7002118				Spring—Pump Discharge
48	7045351				Guide—Pump Discharge
49	35-156				Needle & Seat Assembly
50	KIT ONLY				Gasket—Needle Seat
51	7033751				Clip—Float Valve
52	17056073				Float Assembly
53	7045353				Hinge Pin—Float Assembly
54	7045359				Power Piston Assembly
55	7041477				Spring—Power Piston
56	17066019				Metering Rod and Spring Assy.
57	17060216				Filter Nut—Fuel Inlet
58	GF-471				Filter—Fuel Inlet
59	7024281				Gasket—Filter Nut
60	7032732				Spring—Fuel Filter
61	17060690				Spring—Pump Return
62	17061073				Pump Assembly
63	7045395				Insert—Float Bowl
64	NONE	17060708	17060708	17060708	Solenoid—Idle Stop
65	NONE	7045479	7045479	7045479	Washer—Tab Locking
66	NONE	9420169	9420169	9420169	Nut—Solenoid Retaining
	THROTTLE BODY PARTS				
67	KIT ONLY				Gasket—Throttle Body
68	17060653				Screw—Throttle Body
69	17057049				Pump Rod
70	17058191				Screw—Cam
71	17057492				Clip—Cam Screw
72	17062905				Idle Needle & Spring Assembly
73	17057276				Screw—Throttle Stop
74	7011479				Spring—Throttle Stop Screw
75	17062964	17062965	17062964	17062965	Throttle Body Assembly
76	14002056				Gasket—Flange



Delco Carburetor

BULLETIN: 9C-3163

DATE: APRIL 1979

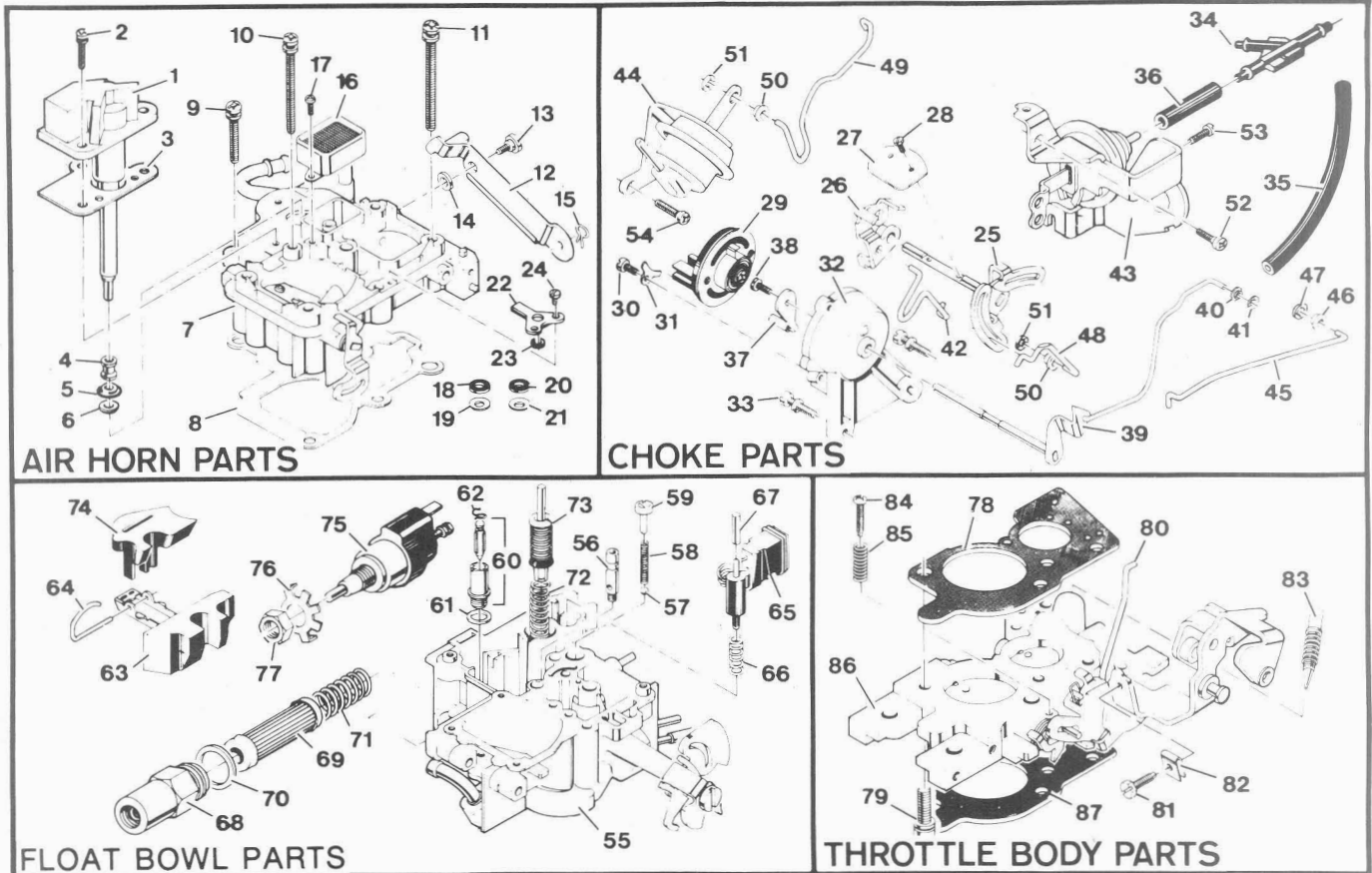
PAGE: 1

MODEL E2SE-VARAJET II (C-4 SYSTEM)

1980 CHEVROLET CITATION

173 CUBIC INCH ENGINE (TRANSVERSE)

A-Malibu; ASP-Monte Carlo; B-Impala, Caprice; F-Camaro; HSP-Monza; T-Chevette; X-Citation; Y-Corvette



PARTS SHOWN ARE FOR IDENTIFICATION ONLY. CONSULT PARTS LIST FOR CORRECT PART NAME AND NUMBER

PARTS IN ALL COLUMNS SAME — EXCEPT WHERE INDICATED

	CALIF. X NON A/C AUTO. TRANS.	CALIF. X AIR COND. AUTO. TRANS.	CALIF. X A/C NON A/C MAN. TRANS.	APPLICATION
	17059760	17059762	17059763	CARBURETOR No.
	22-6099	22-6100	22-6101	REPLACEMENT PKG. No.
	17066047			OVERHAUL KIT
	9396			POWER CARBURETOR KIT
	40-502			GASKET SET
Illus. No.	AIR HORN PARTS			
1	17062172			Mixture Control Solenoid
2	17062730			Screw—Solenoid Attaching (3)
3	17057511			Gasket—Air Horn to Solenoid
4	17057521			Adapter—Solenoid Seal
5	17057520			Seal—Solenoid to Float Bowl
6	17062173			Retainer—Solenoid Seal
7	17066046			Air Horn Assembly
8	17062383			Gasket—Air Horn
9	7045442			Screw—Air Horn (Short) (3)
10	7045444			Screw—Air Horn (3)
11	17060710			Screw and Washer Assy. — AH to Bowl
12	17058599			Pump Lever
13	7045437			Screw—Pump Lever
14	17058548			Washer—Pump Lever
15	7018186			Retainer—Pump Lever
16	17063314			Vent Stack Assembly

	17059760	17059762	17059763	CARBURETOR No.
Illus. No.	AIR HORN PARTS (CONT'd)			
17	17057179			Screw—Vent Stack Att. (2)
—	KIT ONLY			Gasket—Air Cleaner
18	KIT ONLY			Seal—Pump Stem
19	KIT ONLY			Retainer—Seal
20	KIT ONLY			Seal—Throttle Sensor
21	KIT ONLY			Retainer—Seal
22	—			Idle Compensator Assembly
23	—			Gasket—Idle Compensator
24	—			Screw—Idle Compensator
	CHOKE PARTS			
25	7045256			Choke Shaft & Lever Assy.
26	17062205			Choke Lever & Bushing Assy.
27	17057199			Choke Valve
28	17059914			Screw—Choke Valve (2)
29	17063239	17063239	17062597	Elect. Stat Cover & Coil
30	17066027			Stat Cover Retainer Kit
31	7000614			Retainer—Stat Cover
32	17057540			Choke Housing
33	7045458			Screw—Choke Housing (2)
34	10003617			Tee—Vacuum Hose — Pri. Side
35	17051190			Hose—Vacuum (Long)
36	17051190			Hose—Vacuum (Short)
37	17061882			Choke Lever & Contact Assy.
38	7045454			Screw—Choke Lever
39	17060997			Inter. Choke Shaft & Lever
40	7045462			Bushing—Inter. Choke Shaft & Lever
41	17058193			Retainer—Inter. Choke Shaft & Lever
42	17062207			Link—Fast Idle Cam
43	17062344	17062342	17062342	Vacuum Break & Bracket — Pri.
44	17062339			Vacuum Break & Bracket — Sec.
45	17062349			Link—Air Valve
46	17063894			Bushing—Link Air Valve
47	17058193			Retainer—Link Air Valve
48	17062350			Link—Vacuum Break — Pri.
49	17063895			Link—Vacuum Break — Sec.
50	17058193			Retainer—Vac. Break Link (2)
51	17063894			Bushing—Vac. Break Link (2)
52	—	7045470	7045470	Screw—Vac. Break Att.—Pri. (Top)
53	—	7045558	7045558	Screw—Vac. Break Att.—Pri. (Bottom)
—	7045470	—	—	Screw—Vac. Break Att.—Pri. (2)
54	7045470	—	7045470	Screw—Vac. Break Att.—Sec. (2)
	FLOAT BOWL PARTS			
55	17066054	17066054	17066056	Float Bowl Assembly
56	17063093			Jet—Primary Metering
57	7002117			Ball—Pump Discharge
58	7002118			Spring—Pump Discharge
59	7045351			Guide—Pump Discharge
60	35-156			Needle & Seat Assembly
61	KIT ONLY			Gasket—Needle Seat
62	7033751			Clip—Float Valve
63	17056073			Float Assembly
64	7045353			Hinge Pin—Float
65	17061989			Throttle Position Sensor
66	17058407			Spring—Throttle Position Sensor
67	17058153			Plunger—Throttle Position Sensor
68	17060216			Filter Nut—Fuel Inlet
69	GF-471			Filter—Fuel Inlet
70	7024281			Gasket—Filter Nut
71	7032732			Spring—Fuel Filter
72	17060690			Spring—Pump Return
73	17061595			Pump Assembly
74	7045395			Insert—Float Bowl
75	—	17060708	17060708	Solenoid—Idle Stop
76	—	7045479	7045479	Washer—Tab Locking
77	—	9420169	9420169	Nut—Solenoid Retaining
	THROTTLE BODY PARTS			
78	KIT ONLY			Gasket—Throttle Body
79	17060653			Screw—Throttle Body (4)
80	17058243			Pump—Rod
81	17057491			Screw Cam
82	17057492			Clip—Cam Screw
83	17062905			Idle Needle & Spring
84	17057276			Screw—Throttle Stop
85	7011479			Spring—Throttle Stop Screw
86	17063280	17063280	17063281	Throttle Body Assembly
87	10010208			Gasket—Flange