



Delco Carburetor

1932-1962 CHEVROLET TRUCKS

BULLETIN 9C-3000T
DATE: NOVEMBER, 1971
PAGE 1

REFER TO THE 9A-100 CARBURETOR AND SERVICE PARTS CATALOG FOR PARTS AND KITS AVAILABLE FOR THE CARBURETORS LISTED BELOW.

CARB. NO.	MODEL	YEAR	CARB. NO.	MODEL	YEAR
7001374	B	1932-40	7011161	4G	1957
7002050	B	1941-50	7011162	4G	1957
7002051	B	1950-51	7011487	4G	1958
7003152	B	1951	7012035	2G	1958
7003863	B	1951	7012047	2G	1958
7003864	B	1951	7012145	4G	1958
7004468	B	1953-58	7012147	2G	1957
7004475	B	1932-52	7012233	2G	1958
7004476	B	1952	7012303	4G	1958
7005140	B	1954-59	7012453	2G	1958
7006770	2G	1955	7012455	2G	1958
7007171	2G	1955	7012457	2G	1958
7008383	2G	1956	7013009	2G	1959
7008389	2G	1956	7013011	2G	1959-62
7008393	2G	1956	7013013	2G	1959
7008394	2G	1956-57	7013021	4G	1959
7008399	2G	1955	7013023	4G	1959
7008706	2G	1956	7013025	4G	1959
7009661	4G	1957	7013029	B	1959
7009662	4G	1957	7013353	2G	1959
7010649	2G	1957	7013953	B	1959
7010716	2G	1957	7015011	B	1960-62
7010717	2G	1957	7015013	B	1960-62
7010718	2G	1957	7015015	2G	1960-62
7011132	2G	1957	7015017	2G	1960-61
7011135	2G	1957	7015019	2G	1960-62
7011143	2G	1957	7015021	B	1960-62
7011155	2G	1956-57	7015025	4G	1960-61

CO, WD, 131, 132:16, 9X, 9FR, 9FD

PRINTED IN U.S.A.
© 1970 GENERAL MOTORS CORP.



Delco Carburetor

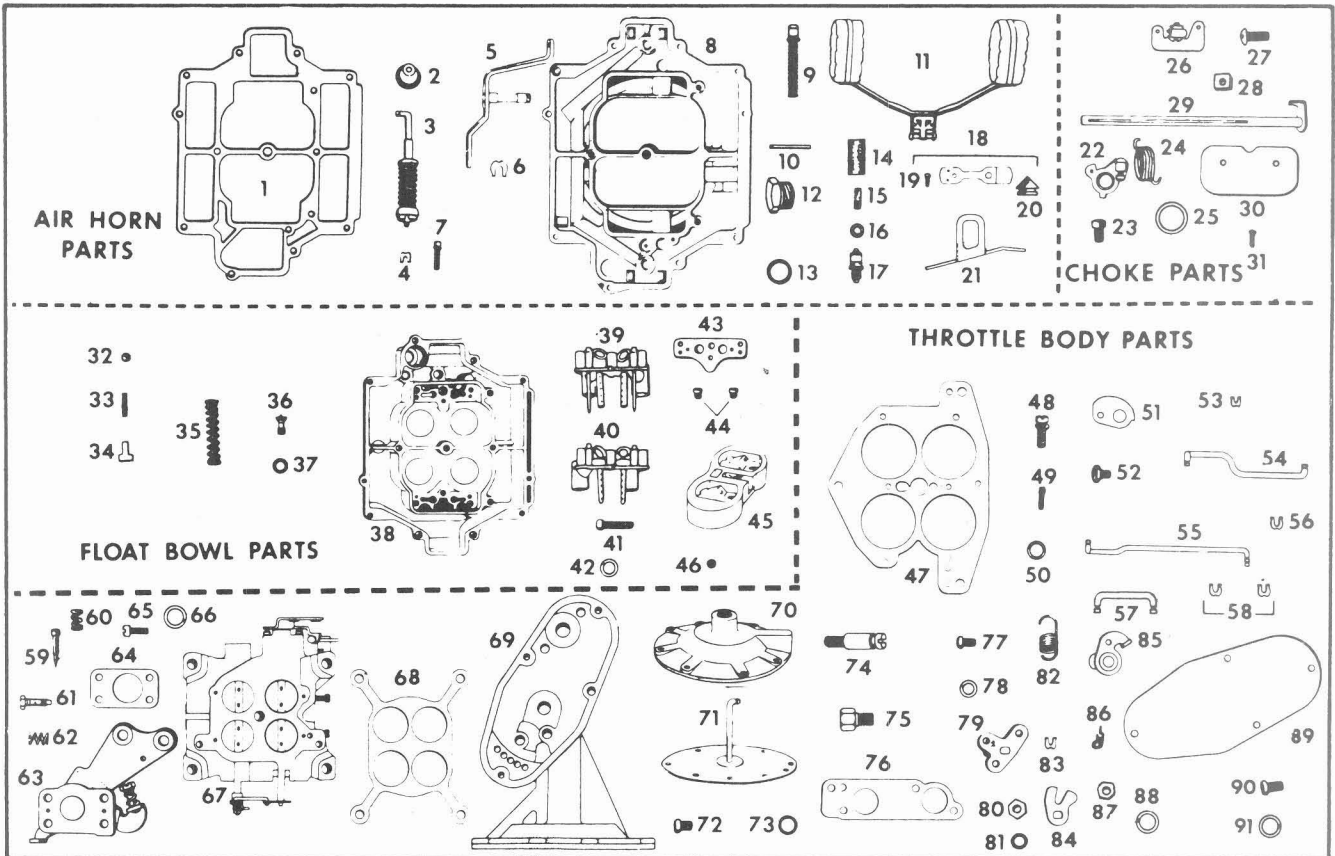
MODEL 4G CARBURETORS

1962-65 CHEVROLET V-8 TRUCK

BULLETIN 9C-3001T
DATE: NOVEMBER, 1971
PAGE 1

VACUUM OPERATED GOVERNOR

PARTS SHOWN ARE FOR IDENTIFICATION ONLY, CONSULT PARTS LIST FOR CORRECT PART NAME AND NUMBER



PARTS IN ALL COLUMNS SAME - EXCEPT WHERE INDICATED

	348"	409"	APPLICATION
	7020025	7020029	CARBURETOR No.
	24-308		REPLACEMENT PKG. No.
	7015933		OVERHAUL KIT
	9051		POWER CARB. KIT
	40-229		GASKET SET
Illus. No.	AIR HORN PARTS		
1	7006061		Gasket—Air Horn
2	7006372		Boot—Pump Plunger
3	7026826		Pump Assembly
4	7005032		Clip—Pump Plunger
5	7022205		Pump Shaft and Lever Assembly
6	7007616		Clip—Pump Shaft
7	7000249		Screw—Air Horn
8	NLA		Air Horn Assembly
9	7009054		Power Piston Assembly
10	7001595		Pin—Float Hinge
11	7017488		Float Assembly
12	7000262		Strainer Nut
13	7001597		Gasket—Strainer Nut
14	7003083		Strainer—Fuel Inlet
15	7006079		Strainer—Needle Seat
16	KIT ONLY		Gasket—Needle Seat
17	30-7		Needle and Seat Needle
—	7006474		Pull Clip—Float Needle
18	—		Idle Vent Valve Kit
19	—		Screw—Idle Vent Valve
20	—		Idle Vent Valve
21	—		Shield—Idle Vent Valve

Illus. No.	702025	702029	CARBURETOR No.
	CHOKE PARTS		
22	7010465		Choke Lever and Swivel Assembly
23	7011270		Screw—Choke Lever Swivel
24	7019892		Spring—Choke Valve
25	838884		Retainer—Choke Lever
26	7010505		Choke Bracket
27	7019707		Screw—Bowden Wire
28	120619		Nut—Bowden Wire
29	7010467		Choke Shaft and Lever Assembly
30	7021020		Choke Valve
31	7007627		Screw—Choke Valve
	FLOAT BOWL PARTS		
32	7002117		Ball—Pump Discharge
33	7006059		Spring—Pump Discharge
34	7003838		Guide—Pump Discharge
35	7008694		Spring—Pump Return
36	7037812		Power Valve Assembly
37	KIT ONLY		Gasket—Power Valve
38	NLA		Float Bowl Assembly
39	NLA		Venturi Cluster—Primary
40	NLA		Venturi Cluster—Secondary
41	7010421		Screw—Cluster Attaching
42	121841		Lockwasher—Cluster Screws
43	KIT ONLY		Gasket—Venturi Cluster
44	7002655	7002654	Jet—Primary
44	7008669	7008667	Jet—Secondary
45	NLA		Auxiliary Throttle Valve Assembly
46	7002814		Plug—Lead Ball
	THROTTLE BODY PARTS		
47	KIT ONLY		Gasket—Throttle Body
48	7004324		Screw—Throttle Body—Large
49	7015105		Screw—Throttle Body—Small
50	NLA		Lockwasher—Small Screws
51	NLA		Cam—Fast Idle
52	7003561		Screw—Cam Attaching
53	7005032		Clip—Pump Rod
54	NLA		Pump Rod
55	NLA		Choke Rod
56	7005109		Clip—Choke Rod
57	NLA		Link—Secondary Lever
58	7005109		Clip—Secondary Link
59	7041621		Idle Needle
60	7011479		Spring—Idle Needles
61	7013347		Fast Idle Screw
62	7001690		Spring—Fast Idle Screw
63	7021865		Throttle Lever and Bearing Assembly
64	KIT ONLY		Gasket—Throttle Lever
65	NLA		Screw—Throttle Lever
66	120217		Lockwasher—Throttle Lever
67	NLA		Throttle Body Assembly
68	3743282		Gasket—Flange
69	7021855		Governor Housing Assembly
70	7011455		Diaphragm Cover
71	7010491		Diaphragm Assembly
72	7009424		Screw—Diaphragm Cover
73	121841		Lockwasher—Cover Screw
74	7009385		Post—Governor Spring
75	7006854		Fitting—Vacuum
76	KIT ONLY		Gasket—Governor to Body
77	7000249		Screw—Governor to Body
78	120217		Lockwasher—Governor to Body
79	NLA		Governor Lever and Pin Assembly
80	NLA		Nut—Lever Attaching
81	NLA		Lockwasher—Nut
82	7020337		Governor Spring
83	7005032		Clip—Diaphragm Rod
84	NLA		Secondary Throttle Lever
85	NLA		Loose Lever Assembly
86	NLA		Torsion Spring
87	NLA		Nut—Secondary Lever
88	NLA		Lockwasher—Nut
89	NLA		Cover—Governor Housing
90	7009424		Screw—Cover
91	NLA		Lockwasher—Cover Screw

NLA—No Longer Available



Delco Carburetor

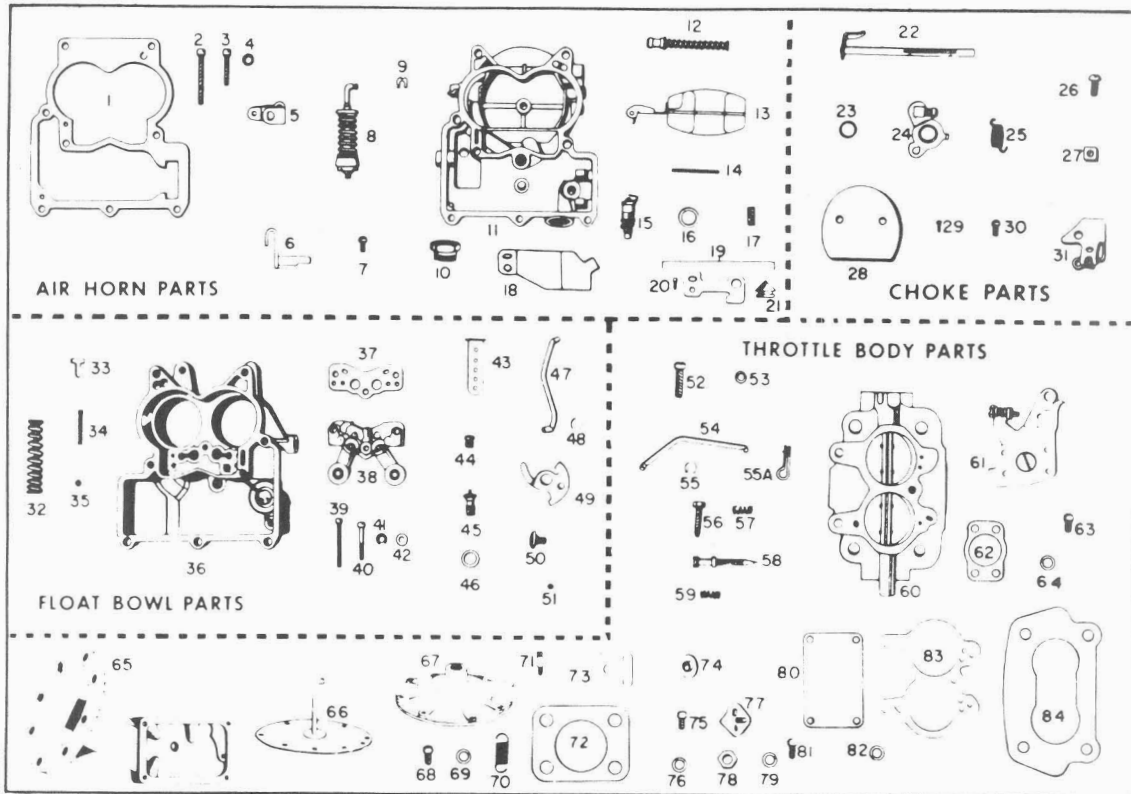
MODEL 2G CARBURETORS

1962-68 CHEVROLET V-8 TRUCK

VACUUM OPERATED GOVERNOR

BULLETIN 9C-3002T
 DATE: NOVEMBER, 1971
 PAGE 1

PARTS SHOWN ARE FOR IDENTIFICATION ONLY, CONSULT PARTS LIST FOR CORRECT PART NAME AND NUMBER



PARTS IN ALL COLUMNS SAME - EXCEPT WHERE INDICATED

	1962-68	1963-66	YEAR
	327"	327"	APPLICATION
	7020109	7023027	CARBURETOR No.
	22-329	22-349	REPLACEMENT PKG. No.
	7015932		OVERHAUL KIT
	9048		POWER CARBURETOR KIT
	40-248		GASKET SET
Illus. No.	AIR HORN PARTS		
1	7008600		Gasket—Air Horn
2	7010432		Screw—Air Horn (Long)
3	7006119		Screw—Air Horn (Short)
4	120217		Lockwasher—Air Horn Screw
5	7032377		Lever—Pump Inside
6	7036764		Pump Shaft and Lever Assembly
7	7011270		Screw—Pump Lever
8	7031824		Pump Assembly
9	7005032		Clip—Pump Plunger
10	145475		Fitting—Fuel Inlet
11	NLA		Air Horn Assembly
12	7006323		Power Piston Assembly
13	7012974		Float Assembly
14	7002081		Pin Float Hinge
15	30-9		Needle and Seat Assembly
16	KIT ONLY		Gasket—Needle Seat
17	7006079		Strainer—Needle Seat
—	7006474		Pull Clip—Float Needle
18	—		Shield—Idle Vent Valve
19	—		Idle Vent Valve Kit
20	—		Screw—Idle Vent Valve
21	—		Idle Vent Valve

	7020109	7023027	CARBURETOR No.
Illus No.	CHOKE PARTS		
22	7006806		Choke Shaft Assembly
23	838884		Retainer—Choke Lever
24	7009357		Choke Lever and Swivel Assembly
25	7019892		Spring—Choke Valve
26	7019707		Screw—Wire Clamp
27	120619		Nut—Wire Clamp
28	7000255		Choke Valve
29	7007627		Screw—Choke Valve
30	7011270		Screw—Choke Lever Assembly
31	7006812		Bracket—Choke
	FLOAT BOWL PARTS		
32	7004597		Spring—Pump Return
33	7000286		Guide—Pump Discharge
34	7002118		Spring—Pump Discharge
35	7002117		Ball—Pump Discharge
36	NLA		Float Bowl Assembly
37	KIT ONLY		Gasket—Venturi Cluster
38	NLA		Venturi Cluster Assembly
39	7000293		Screw—Venturi Cluster—Outer
40	7000294		Screw—Venturi Cluster—Center
41	KIT ONLY		Gasket—Cluster Center Screw
42	121841		Lockwasher—Outer Screw
43	7021528		Insert—Main Well
44	7002653		Jet—Standard
45	7010918		Power Valve Assembly
46	KIT ONLY		Gasket—Power Valve
47	NLA		Choke Rod
48	7005109		Clip—Choke Rod
49	7009395		Cam—Fast Idle
50	7003561		Screw—Cam Attaching
51	7002814		Plug—Lead Ball
	THROTTLE BODY PARTS		
52	7015105		Screw—Throttle Body
53	121744		Lockwasher—Throttle Body Screw
54	7009396		Pump Rod
55	7005032		Clip—Pump Rod
55A	225845		Cotter Pin—Pump Rod
56	7001619		Idle Stop Screw
57	7001690		Spring—Idle Stop Screw
58	7041621		Idle Needle
59	7011479		Spring—Idle Needle
60	NLA		Throttle Body Assembly
	NLA		Throttle Body and Governor Assembly
61	7015631		Throttle Lever and Bearing Assembly
62	KIT ONLY		Gasket—Throttle Lever to Body
63	7010448		Screw—Throttle Lever to Body
64	120217		Lockwasher—Throttle Lever Screw
65	7012604		Governor Housing Assembly
66	7009379		Diaphragm Assembly
67	7013479		Diaphragm Cover
68	7009424		Screw—Diaphragm Cover
69	121841		Lockwasher—Cover Screw
70	7010831		Spring—Governor
71	7009385		Post—Spring Attaching
72	KIT ONLY		Gasket—Governor to Throttle Body
73	7009388		Retainer—Shaft Seal
74	7009387		Seal—Throttle Shaft
75	7010448		Screw—Governor to Throttle Body
76	120217		Lockwasher—Governor Screw
77	7009389		Governor Lever and Pin Assembly
78	NLA		Nut—Governor Lever Attaching
79	121841		Lockwasher—Lever Nut
80	7009394		Cover—Governor Housing
81	7009424		Screw—Housing Cover
82	121841		Lockwasher—Cover Screw
83	KIT ONLY		Gasket—Throttle Body
84	3733281		Flange Gasket



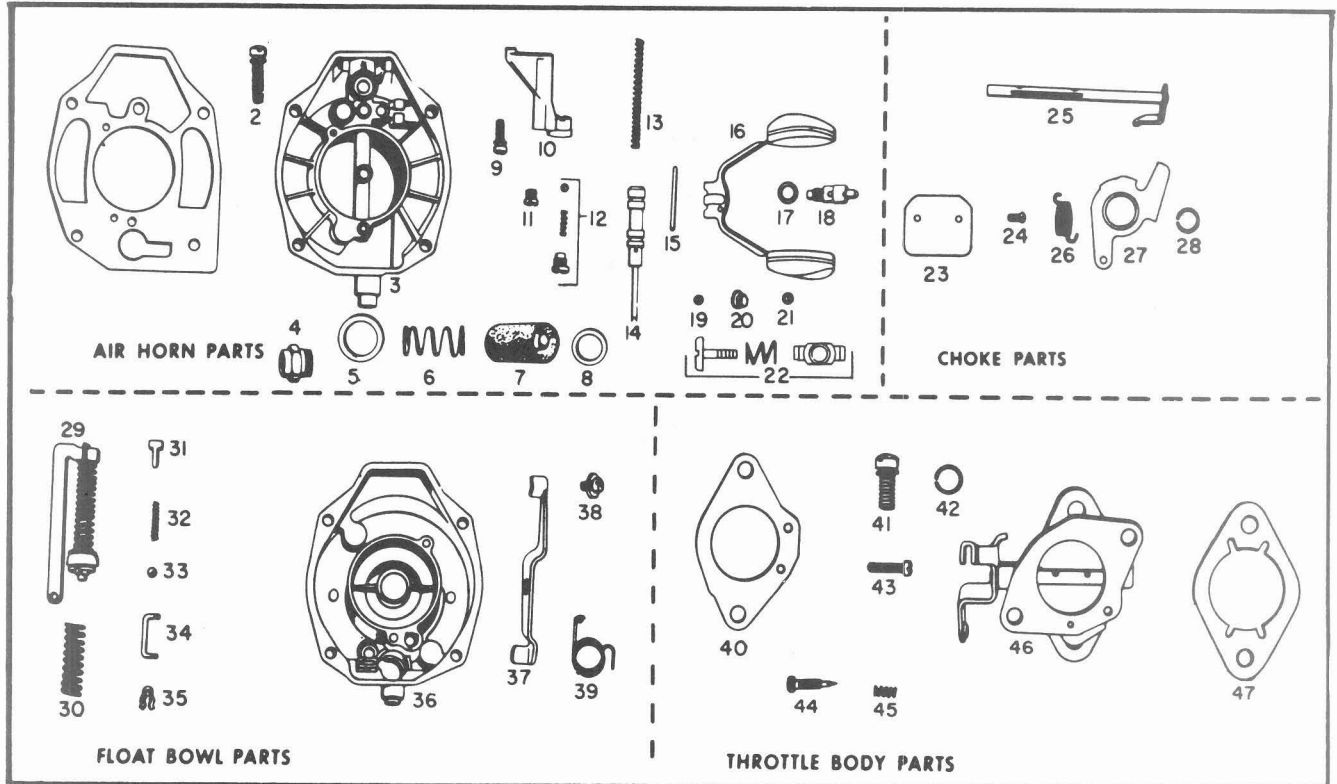
Delco Carburetor

MODEL B MANUAL CHOKE CARBURETORS

1963-67 CHEVROLET TRUCK "6"

BULLETIN 9C-3003T
DATE: NOVEMBER, 1971
PAGE 1

PARTS SHOWN ARE FOR IDENTIFICATION ONLY. CONSULT PARTS LIST FOR CORRECT PART NAME AND NUMBER



PARTS IN ALL COLUMNS SAME EXCEPT WHERE INDICATED

	1963-1965	1966	1966-67	1963	1964-66	1966 A.I.R.	YEAR	
	230 CU. IN.			292 CU. IN.			APPLICATION	
	7023011	7023017	7023021	7026017	7023013	7024009	7036009	CARBURETOR NO.
	21-3003	21-3003	21-3003	21-3003	21-333	21-3004	21-359	REPLACEMENT PKG. NO.
	7016553	7016456	7016456	7016553	7016456	7016456	7016456	OVERHAUL KIT
	9062							POWER CARB. KIT
	40-281							GASKET SET

Illus. No.	AIR HORN PARTS							
1	7026514							Gasket - Air Horn
2	7003823							Screw - Air Horn Attaching
3	NLA							Air Horn Assembly
4	7040952							Filter Nut
5	7032508							Gasket - Filter Nut
6	7031539							Spring - Fuel Filter
7	7013404							Filter - Fuel Inlet
8	7013584							Gasket - Fuel Filter
9	7000745							Screw - Well Support Attaching
10	NLA							Main Well Support Assembly
11	7002657	7002657	7002642	7002657	7008673	7008672	7008671	Main Metering Jet
12	7026961	7025554	7025554	7026961	7025554	7025554	7025554	Power Valve Assembly
13	7002896	7002896	7002366	7002896	7002896	7002896	7002896	Spring - Power Piston
14	7027765	7027765	7027765	7027765	7010002	701002	7010002	Power Piston Assembly
15	7002081							Pin - Float Hinge
16	7002672							Float Assembly
17	KIT ONLY							Gasket - Needle Seat
18	30-1							Needle and Seat Assembly

	7023011	7023017	7023021	7026017	7023013	7024009	7036009	CARBURETOR NO.
Illus. No.	AIR HORN PARTS (CONT'd)							
19	7001637							Plug—Lead Ball—Idle Channel—Outer
20	7002055							Plug—Idle Channel—Inner
21	7002814							Plug—Lead Ball
22	7025599							Idle Vent Valve Kit
	CHOKE PARTS							
23	7011651							Valve—Choke
24	7007627							Screw—Choke Valve
25	7019230							Choke Shaft Assembly
26	7022951							Spring—Choke Valve
27	7022952							Choke Lever and Throttle Kick Cam
28	838884							Retainer—Choke Lever
	FLOAT BOWL PARTS							
29	7025530							Pump Plunger Assembly
30	7005954							Spring—Pump Return
31	7003838							Guide—Pump Discharge Spring
32	7002118							Spring—Pump Discharge Ball
33	7002117							Ball—Pump Discharge
34	7022925							Link—Pump
35	836159							Pin Spring—Pump Link
36	NLA							Float Bowl Assembly
37	7022712							Lever—Throttle Kick
38	NLA							Screw—Kick Lever Attaching
39	7002102							Spring—Throttle Kick Lever
	THROTTLE BODY PARTS							
40	KIT ONLY							Gasket—Throttle Body to Bowl
41	7015295							Screw—Throttle Body Attaching
42	120214							Lockwasher—Throttle Body Screw
43	7002121							Screw—Idle Stop
44	7002357	7002357	7002357	7002357	7002357	7001669	7001669	Needle—Idle Adjusting
45	7003190							Spring—Idle Adjusting Needle
46	NLA							Throttle Body Assembly
47	3953732							Flange Gasket

ACCESSORIES	
7027093	Intake Air Bleed Valve Assembly (A.I.R.)



Delco Carburetor

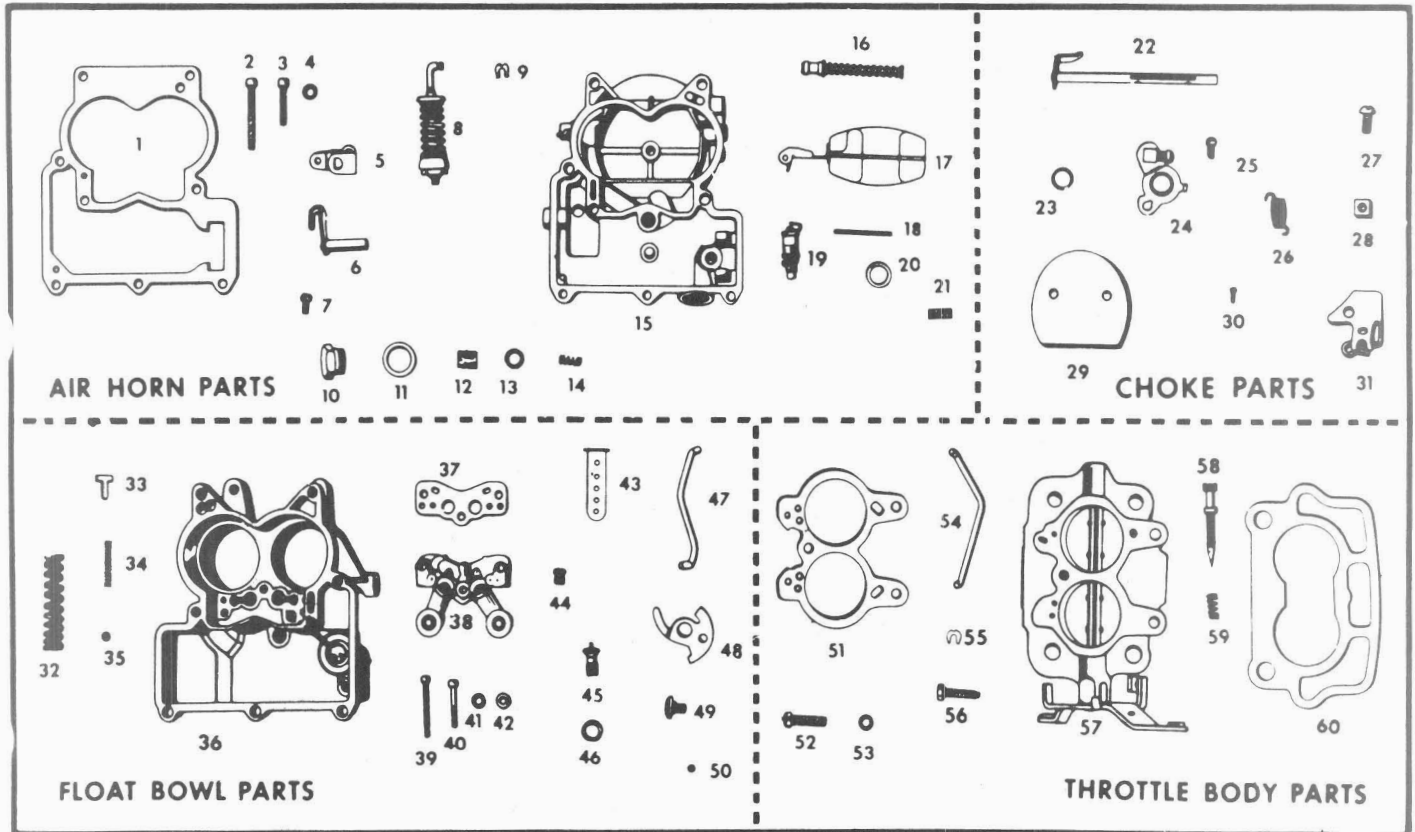
MODEL 2G CARBURETORS

1963-1967 CHEVROLET V-8 TRUCK

283 CUBIC INCH ENGINE

BULLETIN 9C-3004T
 DATE: NOVEMBER, 1971
 PAGE: 1.

PARTS SHOWN ARE FOR IDENTIFICATION ONLY. CONSULT PARTS LIST FOR CORRECT PART NAME AND NUMBER



PARTS IN ALL COLUMNS SAME – EXCEPT WHERE INDICATED

1963-66 W/O A.I.R.	1966 A.I.R.	1967 W/O A.I.R.	1967 A.I.R.	APPLICATION
7023010	7036105	7027105	7037105	STANDARD CARBURETOR NO.
7023009	—	7027106	—	VELOCITY GOVERNOR CARBURETOR NO.
7023022	7036100	7027100	7037100	OVERDRIVE CARBURETOR NO.
22-3018				REPLACEMENT PACKAGE NO. (Standard)
22-350	—	22-350	—	REPLACEMENT PACKAGE NO. (Velocity Gov.)
22-352	22-354	22-352	22-354	REPLACEMENT PACKAGE NO. (Overdrive)
7015926				OVERHAUL KIT
9009				POWER CARBURETOR KIT
40-240				GASKET SET

Illus. No.	AIR HORN PARTS				
1	7008600				Gasket—Air Horn
2	7010432				Screw—Air Horn (Long)
3	7006119				Screw—Air Horn (Short)
4	120217				Lockwasher—Air Horn Screw
5	7032377				Lever—Pump Inside
6	7036764				Pump Shaft and Lever Assembly
7	7011270				Screw—Pump Lever
8	7031824				Pump Assembly
9	7005J32				Clip—Pump Plunger
10	7040952				Nut—Filter
11	7032508				Gasket—Filter Nut
12	7013404				Filter—Fuel Inlet
13	7013584				Gasket—Filter
14	7010007	7010007	7034356	7034356	Spring—Filter
15	7036429				Air Horn Assembly

	7023010	7036105	7027105	7037105	STANDARD CARBURETOR No.
	7023009	—	7027106	—	VELOCITY GOVERNOR CARBURETOR No.
	7023022	7036100	7027100	7037100	OVERDRIVE CARBURETOR No.
Illus. No.	AIR HORN PARTS (Cont'd)				
16	7006323				Power Piston Assembly
17	7012974				Float Assembly
18	7002081				Pin—Float Hinge
19	30-9				Needle and Seat Assembly
20	KIT ONLY				Gasket—Needle Seat
21	7006079				Strainer—Needle Seat
—	7006474				Pull Clip—Float Needle
	CHOKE PARTS				
22	7006806				Choke Shaft Assembly
23	838884				Retainer—Choke Lever
24	7006803				Choke Lever and Swivel Assembly
25	7011270				Screw—Choke Lever
26	7019892				Spring—Choke Valve
27	7019707				Screw—Wire Clamp
28	120619				Nut—Wire Clamp
29	7000255	7000255	7025955	7025955	Choke Valve
30	7007627				Screw—Choke Valve
31	7006812				Bracket Choke
	FLOAT BOWL PARTS				
32	7004597				Spring—Pump Return
33	7000286				Guide—Pump Discharge
34	7002118				Spring—Pump Discharge
35	7002117				Ball—Pump Discharge
36	7025691	7032919	7025691	7032919	Float Bowl Assembly
37	KIT ONLY				Gasket—Venturi Cluster
38	NLA				Venturi Cluster Assembly
39	7000293				Screw—Venturi Cluster—Outer
40	7000294				Screw—Venturi Cluster—Center
41	KIT ONLY				Gasket—Cluster Center Screw
42	121841				Lockwasher—Outer Screws
43	7021528				Insert—Main Well
44	7002654				Jet—Main Metering
45	7010918				Power Valve Assembly
46	KIT ONLY				Gasket—Power Valve
47	7025667				Choke Rod
48	7006810				Cam—Fast Idle
49	7003561				Screw—Cam Attaching
50	7002814				Plug—Lead Ball
	THROTTLE BODY PARTS				
51	KIT ONLY				Gasket—Throttle Body
52	7015105				Screw—Throttle Body
53	121744				Lockwasher—Throttle Body Screw
54	7019464				Pump Rod
55	7005032				Clip—Pump Rod
56	7013347				Idle Stop Screw
57	NLA				Throttle Body Assembly
58	7041621				Idle Needle
59	7011479				Spring—Idle Needle
60	3704952				Flange Gasket

ACCESSORIES

7033545	Intake Air Bleed Valve (A.I.R.)
---------	---------------------------------



Delco Carburetor

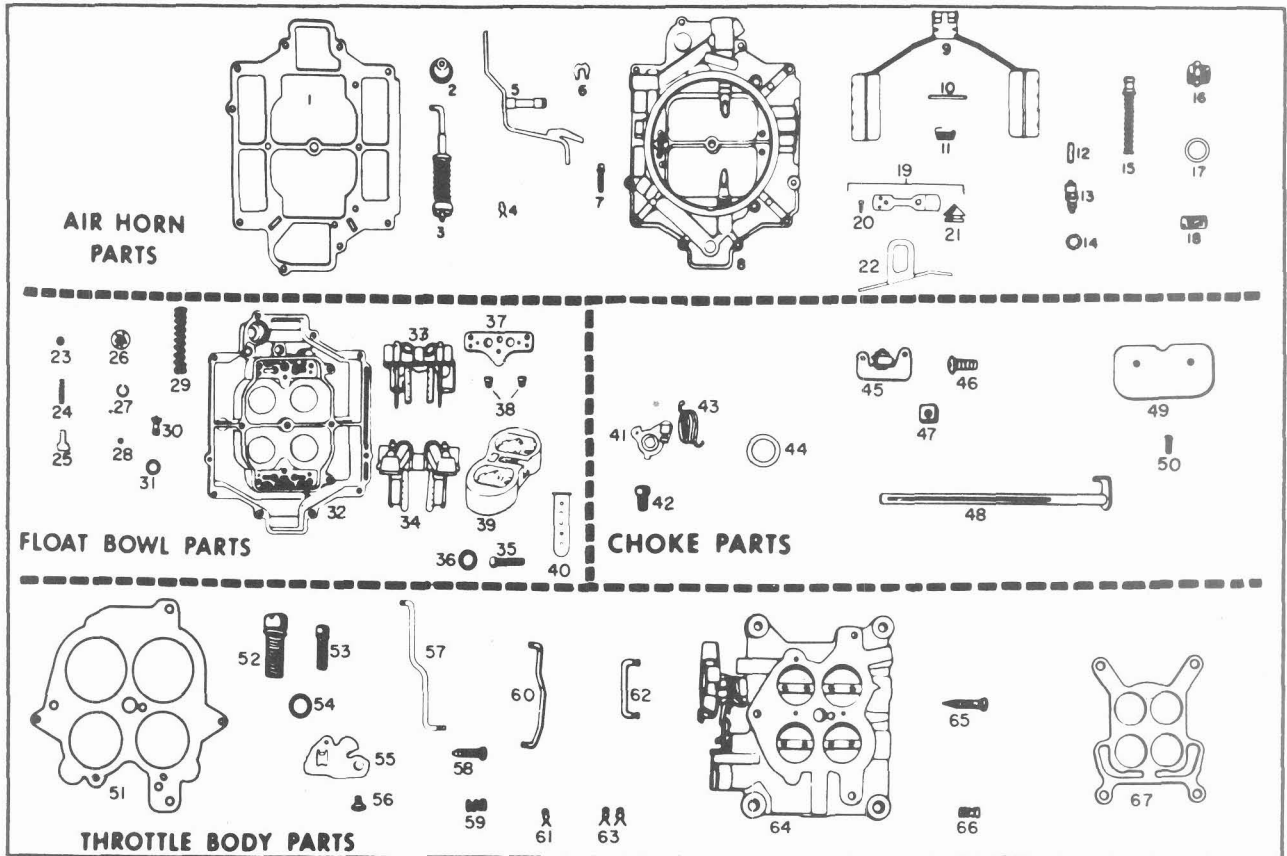
MODEL 4G CARBURETORS

BULLETIN 9C-3005T
 DATE: NOVEMBER, 1971
 PAGE 1

1965-67 CHEVROLET V-8 TRUCK

327 CUBIC INCH ENGINE

PARTS SHOWN ARE FOR IDENTIFICATION ONLY, CONSULT PARTS LIST FOR CORRECT PART NAME AND NUMBER



PARTS IN ALL COLUMNS SAME – EXCEPT WHERE INDICATED

Illus. No.	1965-66		1967		YEAR
	W/O A.I.R.	A.I.R.	W/O A.I.R.	A.I.R.	APPLICATION
	7025125	7036125	7027125	7037125	CARBURETOR No.
	24-396				REPLACEMENT PACKAGE No.
	7033075	7033006	7033075	7033006	OVERHAUL KIT
	9107	—	9107	—	POWER CARBURETOR KIT
	40-340	40-327	40-340	40-327	GASKET SET
	AIR HORN PARTS				
1	7015173	7006061	7015173	7006061	Gasket—Air Horn
2	7006372				Boot—Pump Plunger
3	7026826				Pump Assembly
4	1875293				Clip—Pump Plunger
5	7022205				Pump Shaft and Lever Assembly
6	7007616				Clip Pump Shaft
7	7000249				Screw—Air Horn
8	NLA				Air Horn Assembly
9	7017488				Float Assembly—Primary and Secondary
10	7001595				Pin—Float Hinge
11	7017486				Torsion Spring
12	7006079				Strainer—Needle Seat
13	30-7				Needle and Seat Assembly—(2)
14	KIT ONLY				Gasket—Needle Seat
15	7006323				Power Piston Assembly
16	7000262				Strainer Nut
17	7001597				Gasket—Strainer Nut
18	7003083				Strainer—Fuel Inlet

	7025125	7036125	7027125	7037125	CARBURETOR No.
Illus. No.	AIR HORN PARTS (Continued)				
19	7012188				Idle Vent Valve Kit
20	7012548				Screw—Vent Valve
21	7029993				Valve—Idle Vent
22	7012520				Shield—Idle Vent
	FLOAT BOWL PARTS				
23	7002117				Ball—Pump Discharge
24	7006059				Spring—Pump Discharge
25	7003838				Guide—Pump Discharge
26	7001604				Strainer—Pump Inlet
27	7001605				Retainer—Inlet Strainer
28	7002120				Ball—Pump Inlet Check
29	7004597				Spring—Pump Return
30	7011989				Power Valve Assembly
31	KIT ONLY				Gasket—Power Valve
32	NLA				Float Bowl Assembly
33	NLA				Venturi Cluster Assembly—Primary
34	NLA				Venturi Cluster Assembly—Secondary
35	7010421				Screw—Cluster Attaching
36	121841				Lockwasher—Cluster Screws
37	KIT ONLY				Gasket—Venturi Clusters
38	7002656				Jet—Primary
38	7008668				Jet—Secondary
39	7020513				Auxiliary Throttle Valve Assembly
40	7021528				Insert—Main Well
	CHOKE PARTS				
41	7010465				Choke Lever and Swivel Assembly
42	7011270				Screw—Choke Lever Swivel
43	7019892				Spring—Choke Valve
44	838884				Retainer—Choke Lever
45	7010505				Choke Bracket Assembly
46	7019707				Screw—Bowden Wire
47	120619				Nut—Bowden Wire
48	7010467				Choke Shaft and Lever Assembly
49	7000191				Choke Valve
50	7007627				Screw—Choke Valve
	THROTTLE BODY PARTS				
51	KIT ONLY				Gasket—Throttle Body
52	7004324				Screw—Throttle Body—Large
53	7015105				Screw—Throttle Body—Small
54	121744				Lockwasher—Small Screws
55	7031021				Cam—Fast Idle
56	7003561				Screw—Cam Attaching
57	7031022				Choke Rod
58	7013348				Fast Idle Screw
59	7003176				Spring—Fast Idle Screw
60	7021997				Rod Pump
61	1875293				Clip—Pump Rod and Secondary Lever Link
62	7000241				Link—Secondary Lever
63	836159				Clip—Choke Rod
64	NLA				Throttle Body Assembly
65	7041621				Idle Needle
66	7011479				Spring—Idle Needle
67	3743282				Flange Gasket

7033546

Intake Air Bleed Valve Assembly (A.I.R.)



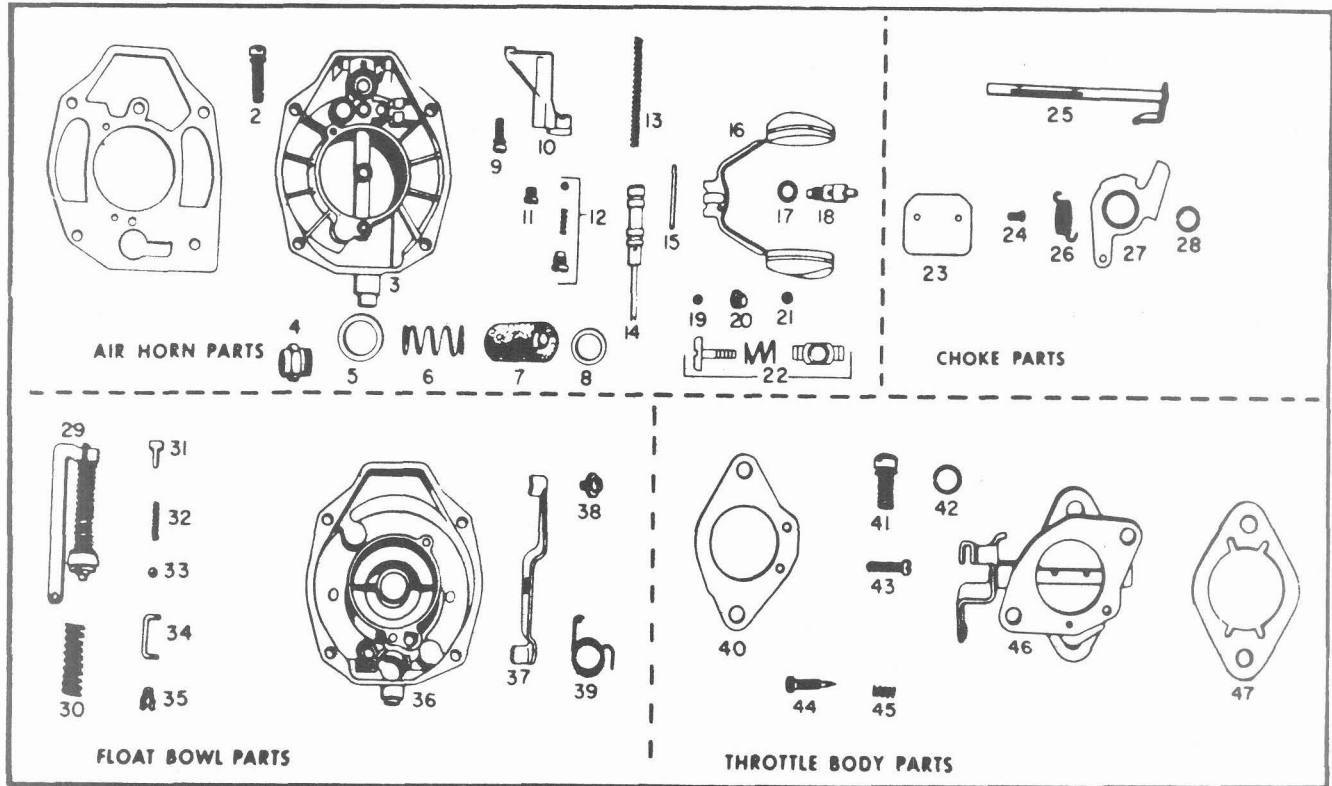
Delco Carburetor

MODEL B MANUAL CHOKE CARBURETORS

1966-67 CHEVROLET TRUCK "6"

BULLETIN 9C-3006T
 DATE: NOVEMBER, 1971
 PAGE 1

PARTS SHOWN ARE FOR IDENTIFICATION ONLY. CONSULT PARTS LIST FOR CORRECT PART NAME AND NUMBER



PARTS IN ALL COLUMNS SAME – EXCEPT WHERE INDICATED

	250 CU. IN. STANDARD	250 CU. IN. VEL. GOV.	194 CU. IN. STANDARD	292 CU. IN. STANDARD	292 CU. IN. A.I.R.	APPLICATION
	7026011	7026029	7026019	—	—	CARBURETOR No. – 1966
	7027011	7027029	—	7027009	7037009	CARBURETOR No. – 1967
	21-3004	21-3004	21-3003	21-3004	21-359	REPLACEMENT PACKAGE No.
	7016553	7016456	7016553	7016456	7016456	OVERHAUL KIT
	9062					POWER CARB. KIT
	40-281					GASKET SET
Illus. No.	AIR HORN PARTS					
1	7026514					Gasket—Air Horn
2	7003823					Screw—Air Horn Attaching
3	NLA					Air Horn Assembly
4	7040952					Filter Nut
5	7032508					Gasket—Filter Nut
6	7031539					Spring—Fuel Filter
7	7013404					Filter—Fuel Inlet
8	7013584					Gasket—Fuel Filter
9	7000745					Screw—Well Support Attaching
10	NLA					Main Well Support Assembly
11	7002658	7008663	7002657	7008672	7008672	Main Metering Jet
12	7026961	7025554	7026961	7025554	7025554	Power Valve Assembly
13	7002366	7002896	7002366	7002896	7002896	Spring—Power Piston
14	7027765	7027765	7010002	7010002	7010002	Power Piston Assembly
15	7002081					Pin—Float Hinge
16	7002672					Float Assembly
17	KIT ONLY					Gasket—Needle Seat
18	30-1					Needle and Seat Assembly

	7026011	7026029	7026019	--	--	CARBURETOR No. -- 1966
	7027011	7027029	--	7027009	7037009	CARBURETOR No. -- 1967
Illus. No.	AIR HORN PARTS (Continued)					
19	7001637					Plug--Lead Ball--Idle Channel--Outer
20	7002055					Plug--Idle Channel--Inner
21	7002814					Plug--Lead Ball
22	7025599					Idle Vent Valve Kit
	CHOKE PARTS					
23	7011651					Valve--Choke
24	7007627					Screw--Choke Valve
25	7019230					Choke Shaft Assembly
26	7022951					Spring--Choke Valve
27	7022952					Choke Lever and Throttle Kick Cam
28	838884					Retainer--Choke Lever
	FLOAT BOWL PARTS					
29	7025530	7033257	7025530	7025530	7025530	Pump Plunger Assembly
30	7005954					Spring--Pump Return
31	7003838					Guide--Pump Discharge Spring
32	7002118					Spring--Pump Discharge Ball
33	7002117					Ball--Pump Discharge
34	7022925					Link--Pump
35	836159					Pin Spring--Pump Link
36	NLA					Float Bowl Assembly
37	7022712					Lever--Throttle Kick
38	7002715					Screw--Kick Lever Attaching
39	7002102					Spring--Throttle Kick Lever
	THROTTLE BODY PARTS					
40	KIT ONLY					Gasket--Throttle Body to Bowl
41	7015295					Screw--Throttle Body Attaching
42	120214					Lockwasher--Throttle Body Screw
43	7002121					Screw--Idle Stop
44	7002357					Needle--Idle Adjusting
45	7003190					Spring--Idle Adjusting Needle
46	NLA					Throttle Body Assembly
47	3953732					Flange Gasket

ACCESSORIES	
7027093	Intake Air Bleed Valve Assembly (A.I.R.)

NLA--No Longer Available



Delco Carburetor

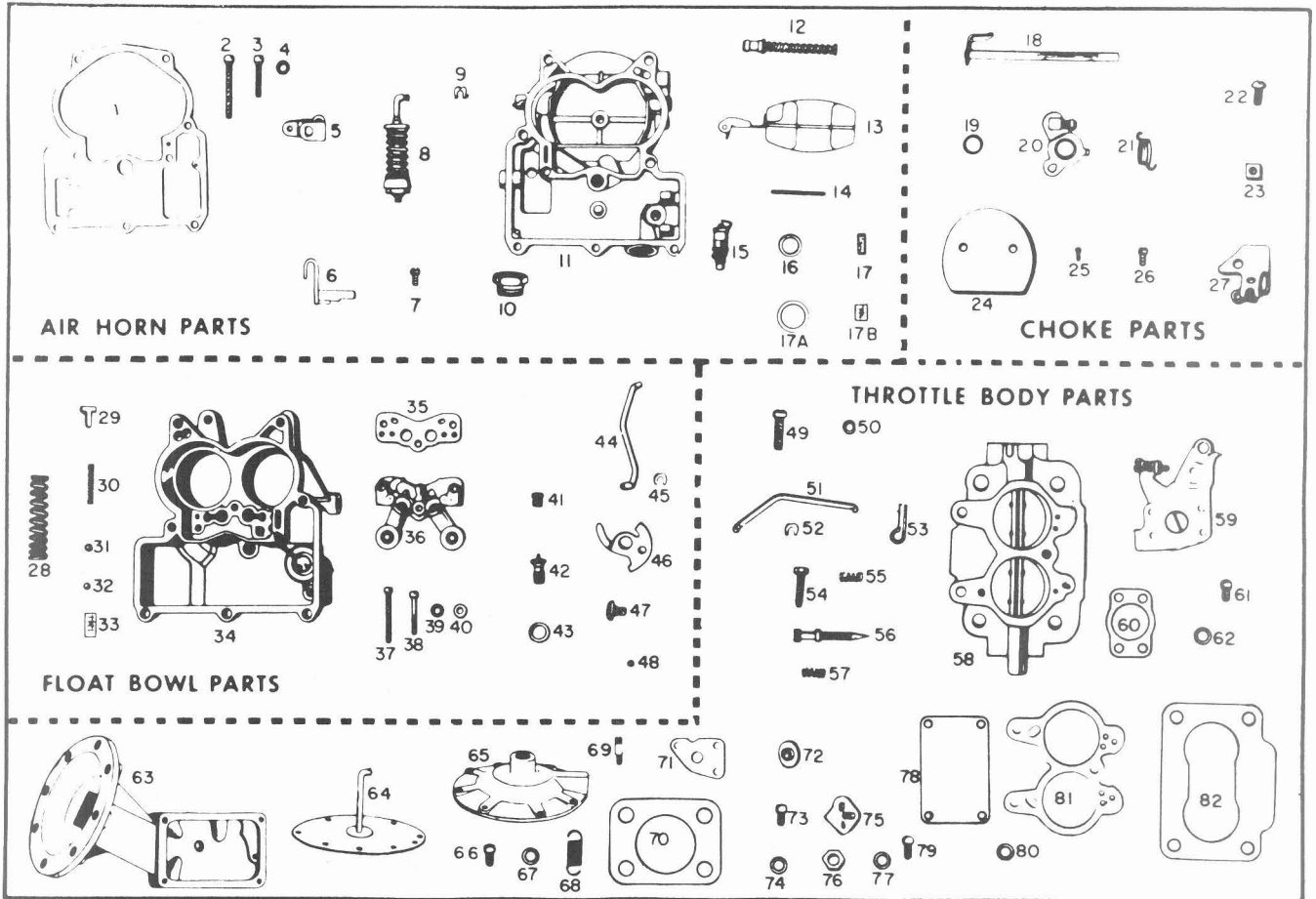
MODEL 2G CARBURETORS

1966-67 CHEVROLET V-8 TRUCK

VACUUM OPERATED GOVERNOR

BULLETIN 9C-3007T
DATE: NOVEMBER, 1971
PAGE 1

PARTS SHOWN ARE FOR IDENTIFICATION ONLY. CONSULT PARTS LIST FOR CORRECT PART NAME AND NUMBER



PARTS IN ALL COLUMNS SAME EXCEPT WHERE INDICATED

	366 CU. IN.	APPLICATION
	7026113	CARBURETOR No.
	22-343	REPLACEMENT PACKAGE No.
	7016629	OVERHAUL KIT
	9081	POWER CARBURETOR KIT
	40-322	GASKET SET
Illus. No.		AIR HORN PARTS
1	7021007	Gasket—Air Horn
2	7010432	Screw—Air Horn (Long)
3	7006119	Screw—Air Horn (Short)
4	120217	Lockwasher—Air Horn Screw
5	7032377	Lever—Pump Inside
6	7036764	Pump Shaft and Lever Assembly
7	7011270	Screw—Pump Lever
8	7033530	Pump Assembly
9	7005032	Clip—Pump Plunger
10	7000262	Fitting—Fuel Inlet
11	NLA	Air Horn Assembly
12	7034359	Power Piston Assembly
13	7012974	Float Assembly
14	7010037	Pin Float Hinge
15	30-9	Needle and Seat Assembly
16	KIT ONLY	Gasket—Needle Seat
17	7006079	Strainer—Needle Seat
17A	7001597	Gasket—Fuel Inlet Fittings
17B	7000261	Strainer—Fuel Inlet
—	7006474	Pull Clip—Float Needle

	7026113	CARBURETOR No.
		CHOKE PARTS
Illus. No.		
18	7038136	Choke Shaft Assembly
19	838884	Retainer—Choke Lever
20	7009357	Choke Lever and Swivel Assembly
21	7019892	Spring—Choke Valve
22	7019707	Screw—Wire Clamp
23	120619	Nut—Wire Clamp
24	7033433	Choke Valve
25	7007627	Screw—Choke Valve
26	7011270	Screw—Choke Lever Assembly
27	7024872	Bracket—Choke
		FLOAT BOWL PARTS
28	7004597	Spring—Pump Return
29	7000286	Guide—Pump Discharge
30	7002118	Spring—Pump Discharge
31	7002117	Ball—Pump Discharge
32	7002120	Ball—Pump Inlet Check
33	7004557	Screen—Pump Inlet
34	NLA	Float Bowl Assembly
35	KIT ONLY	Gasket—Venturi Cluster
36	NLA	Venturi Cluster Assembly
37	7008502	Screw—Venturi Cluster—Outer
38	7009077	Screw—Venturi Cluster—Center
39	KIT ONLY	Gasket—Cluster Center Screw
40	120217	Lockwasher—Outer Screw
41	7008668	Jet—Standard
42	7022777	Power Valve Assembly
43	KIT ONLY	Gasket—Power Valve
44	7031752	Choke Rod
45	7005109	Clip—Choke Rod
46	7009395	Cam—Fast Idle
47	7003561	Screw—Cam Attaching
48	7002814	Plug—Lead Ball
		THROTTLE BODY PARTS
49	7015105	Screw—Throttle Body
50	121744	Lockwasher—Throttle Body Screw
51	7009396	Pump Rod
52	7005032	Clip—Pump Rod
53	225845	Cotter Pin—Pump Rod
54	7001619	Idle Stop Screw
55	7001690	Spring—Idle Stop Screw
56	7041621	Idle Needle
57	7011479	Spring—Idle Needle
58	NLA	Throttle Body Assembly
—	NLA	Throttle Body and Governor Assembly
59	7015631	Throttle Lever and Bearing Assembly
60	KIT ONLY	Gasket—Throttle Lever to Body
61	7010448	Screw—Throttle Lever to Body
62	120217	Lockwasher—Throttle Lever Screw
63	7012604	Governor Housing Assembly
64	7009379	Diaphragm Assembly
65	7009384	Diaphragm Cover
66	7009424	Screw—Diaphragm Cover
67	121841	Lockwasher—Cover Screw
68	7010499	Spring—Governor
69	7009385	Post—Spring Attaching
70	KIT ONLY	Gasket—Governor to Throttle Body
71	7009388	Retainer—Shaft Seal
72	KIT ONLY	Seal—Throttle Shaft
73	7010448	Screw—Governor to Throttle Body
74	120217	Lockwasher—Governor Screw
75	7009389	Governor Lever and Pin Assembly
76	120622	Nut—Governor Lever Attaching
77	121841	Lockwasher—Lever Nut
78	7009394	Cover—Governor Housing
79	7009424	Screw—Housing Cover
80	121841	Lockwasher—Cover Screw
81	KIT ONLY	Gasket—Throttle Body
82	3880361	Flange Gasket

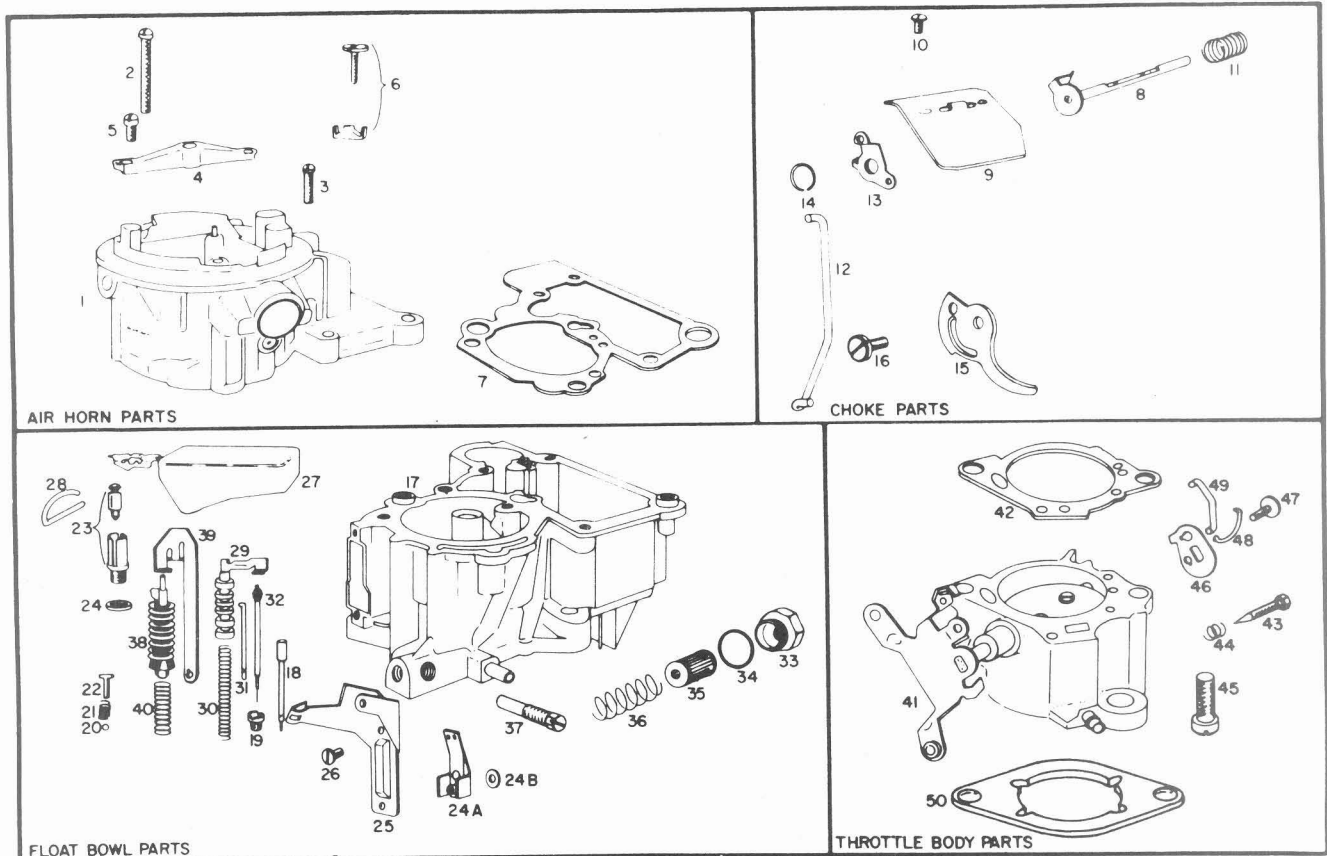


Delco Carburetor

MODEL M MANUAL CHOKE MONOJET 1968 CHEVROLET TRUCK "6"

BULLETIN 9C-3008T
DATE: NOVEMBER, 1971
PAGE 1

PARTS SHOWN ARE FOR IDENTIFICATION ONLY. CONSULT PARTS LIST FOR CORRECT PART NAME AND NUMBER



PARTS IN ALL COLUMNS SAME EXCEPT WHERE INDICATED

	230 CU. IN. ALL	250 CU. IN. ALL	292 CU. IN. 1/2 TON	292 CU. IN. 3/4 TON	APPLICATION
	7028006	7028007	7028012	7028013	CARBURETOR No. STD.
	7028010	7028011			CARBURETOR No. VEL. GOV.
	21-363	21-373	21-376	21-376	REPLACEMENT PACKAGE
	7016852	7036326	7036329	7036329	OVERHAUL KIT
	9129				POWER CARBURETOR KIT
	40-353				GASKET SET

Illus. No.	AIR HORN PARTS				
1	7034043				Air Horn Assembly
2	7038912				Screw - Air Horn - Long
3	7014698				Screw - Air Horn - Short
4	7037773				Bracket - Air Cleaner Stud
5	7038913				Screw - Bracket Attaching
6	7036348				Idle Vent Valve Kit
7	7037591				Gasket - Air Horn
	CHOKE PARTS				
8	7028177				Choke Shaft and Lever Assembly
9	7034012				Choke Valve
10	7020926				Screw - Choke Valve
11	7035700				Spring - Choke Valve
12	7034057				Choke Rod
13	7034078				Choke Lever
14	838884				Retainer - Choke Lever
15	7034068				Cam - First Idle
16	7003561				Screw - Cam Attaching

	7028006	7028007	7028012	7028013	CARBURETOR No. STD.
	7028010	7028011			CARBURETOR No. – VEL. GOV.
Illus. No.	FLOAT BOWL PARTS				
17	7036375	7036376	7036381	7036381	Float Bowl Assembly – Standard
17	7036379	7036380	–	–	Float Bowl Assembly – Vel. Gov.
18	7033940				Idle Tube Assembly
19	7034201	7034209	7034228	7034228	Jet – Main Metering
20	7002117				Ball – Pump Discharge
21	7002118				Spring – Pump Discharge
22	7003838				Guide – Pump Discharge
23	30-133				Needle and Seat Assembly
24	KIT ONLY				Gasket – Needle Seat
24A	7035870	7035870	–	–	Idle Compensator Assembly
24B	7027970	7027970	–	–	Gasket – Idle Compensator
25	7035725				Bracket – Bowden Wire
26	7034030				Screw – Bowden Wire Bracket
27	7037022				Float Assembly
28	7034032				Hinge Pin – Float
29	7035295				Power Piston Assembly
30	7012515				Spring – Power Piston
31	7035297				Rod – Power Piston
32	7035929	7035932	7035934	7035934	Metering Rod and Spring Assembly
33	7042357	7042357	7033500	7033500	Filter Nut – Standard
33	7033500	7033500	–	–	Filter Nut – Vel. Gov.
34	7032508				Gasket – Filter Nut
35	GF-427				Filter – Fuel Inlet
36	7031539				Spring – Fuel Filter
37	7034034				Screw – Slow Idle
38	7037595				Pump Assembly
39	7034048				Lever – Pump Actuating
40	7008694				Spring – Pump Return
	THROTTLE BODY PARTS				
41	7034149	7034149	7036327	7036327	Throttle Body Assembly
42	KIT ONLY				Gasket – Throttle Body
43	7041864	7041864	7041621	7041621	Idle Needle
44	7011479				Spring – Idle Needle
45	7038875				Screw – Throttle Body
46	7038049				Lever – Pump and Power Rods
47	7034016				Screw – Lever Attaching
48	7035502				Link – Power Piston Rod
49	7037981	7037981	7037855	7037855	Link – Pump Lever
50	3953732				Gasket – Flange

ACCESSORIES	
7036445	Diverter Valve Assembly



Delco Carburetor

MODEL 2G CARBURETORS

1968 CHEVROLET V-8 TRUCK

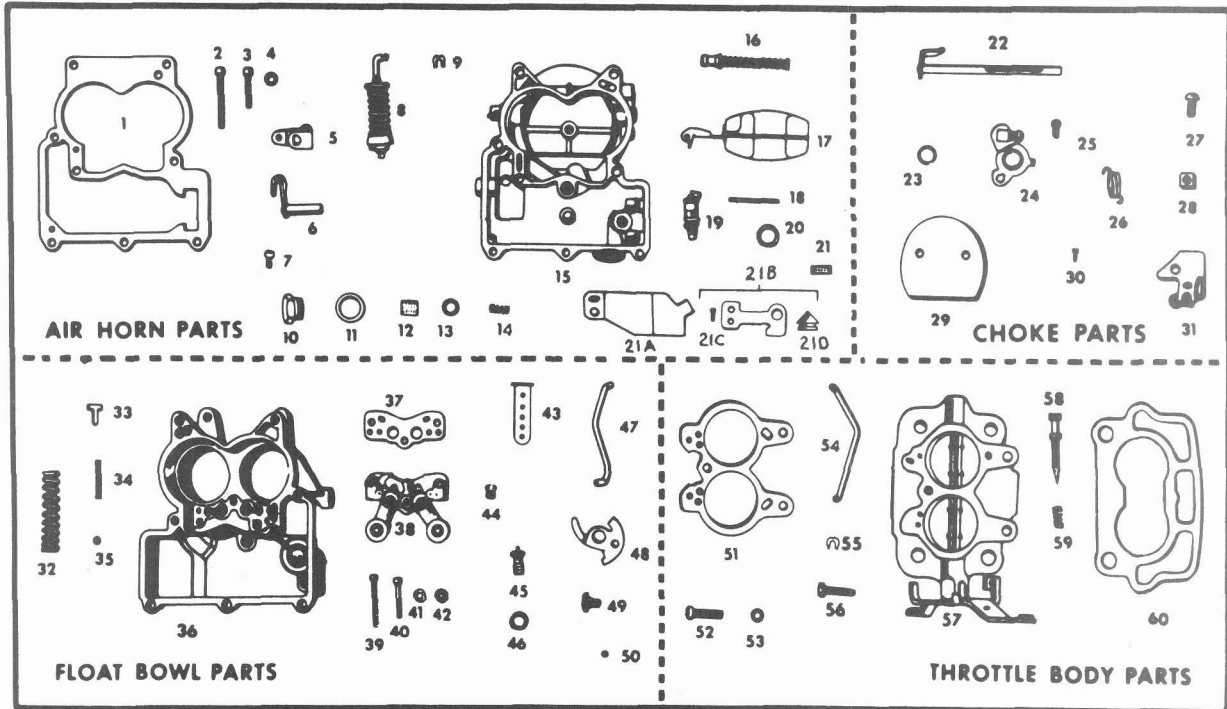
307 CUBIC INCH ENGINE

BULLETIN 9C-3009T

DATE: NOVEMBER 1971

PAGE 1

PARTS SHOWN ARE FOR IDENTIFICATION ONLY. CONSULT PARTS LIST FOR CORRECT PART NAME AND NUMBER



PARTS IN ALL COLUMNS SAME EXCEPT WHERE INDICATED

	1/2 TON EARLY	3/4 TON EARLY	1/2 TON LATE	3/4 TON LATE	APPLICATION
	7028105	7028107	7028125	7028127	STANDARD CARBURETOR No.
	7028106	7028111	—	—	VELOCITY GOVERNOR CARBURETOR No.
	7028100	—	—	—	OVERDRIVE CARBURETOR No.
	22-361	22-364	22-361	22-364	REPLACEMENT PACKAGE No. (Standard)
	22-363	22-365	—	—	REPLACEMENT PACKAGE No. (Velocity Gov.)
	22-3017	—	—	—	REPLACEMENT PACKAGE No. (Overdrive)
	7015926				OVERHAUL KIT (7028106, 107, 127)
	7036533				OVERHAUL KIT (7028100, 105, 111, 125)
	9009				POWER CARBURETOR KIT
	40-240				GASKET SET

Illus. No.	AIR HORN PARTS				
1	7008600				Gasket - Air Horn
2	7010432				Screw - Air Horn (Long)
3	7006119				Screw - Air Horn (Short)
4	120217				Lockwasher - Air Horn Screw
5	7032377				Lever - Pump Inside
6	7036764				Pump Shaft and Lever Assembly
7	7011270				Screw - Pump Lever
8	7031824				Pump Assembly
9	7005032				Clip - Pump Plunger
10	7040952				Nut - Filter
11	7032508				Gasket - Filter Nut
12	7013404				Filter - Fuel Inlet
13	7013584				Gasket - Filter
14	7034356				Spring - Filter
15	7036429				Air Horn Assembly

	7028105	7028107	7028125	7028127	STANDARD CARBURETOR No.
	7028106	7028111	—	—	VELOCITY GOVERNOR CARBURETOR No.
	7028100	—	—	—	OVERDRIVE CARBURETOR No.
Illus. No.	AIR HORN PARTS (Cont'd)				
16	7006323				Power Piston Assembly (7028106, 107, 127)
16	7034359				Power Piston Assembly (7028100, 105, 111, 125)
17	7012974				Float Assembly
18	7002081				Pin – Float Hinge
19	30-9				Needle and Seat Assembly
20	KIT ONLY				Gasket – Needle Seat
21	7006079				Strainer – Needle Seat
—	7006474				Pull Clip – Float Needle
21A	—	—	7012835	7012835	Shield – Idle Vent
21B	—	—	7012252	7012252	Idle Vent Valve Kit
21C	—	—	7012548	7012548	Screw – Vent Valve
21D	—	—	7029993	7029993	Valve – Idle Vent
	CHOKE PARTS				
22	7006806				Choke Shaft Assembly
23	838884				Retainer – Choke Lever
24	7006803				Choke Lever and Swivel Assembly
25	7011270				Screw – Choke Lever
26	7019892				Spring – Choke Valve
27	7019707				Screw – Wire Clamp
28	120619				Nut – Wire Clamp
29	7025955				Choke Valve
30	7007627				Screw – Choke Valve
31	7006812				Bracket Choke
	FLOAT BOWL PARTS				
32	7004597				Spring – Pump Return
33	7000286				Guide – Pump Discharge
34	7002118				Spring – Pump Discharge
35	7002117				Ball – Pump Discharge
36	7036402	7025691	7036402	7025691	Float Bowl Assembly – Standard
36	7025691	7036402	—	—	Float Bowl Assembly – Vel. Gov.
36	7036402	—	—	—	Float Bowl Assembly – Overdrive
37	KIT ONLY				Gasket – Venturi Cluster
38	NLA				Venturi Cluster Assembly
39	7000293				Screw – Venturi Cluster – Outer
40	7000294				Screw – Venturi Cluster – Center
41	KIT ONLY				Gasket – Cluster Center Screw
42	121841				Lockwasher – Outer Screws
43	7021528				Insert – Main Well
44	7002652	7002655	7002652	7002655	Jet – Main Metering – Standard
44	7002655	7002652	—	—	Jet – Main Metering – Vel. Gov.
44	7002652	—	—	—	Jet – Main Metering – Overdrive
45	7010918	7010918	7010918	7010918	Power Valve Assembly (7028106, 107, 127)
45	7037115	7037115	7037115	7037115	Power Valve Assembly (7028100, 105, 111, 125)
46	KIT ONLY				Gasket – Power Valve
47	7025667				Choke Rod
48	7006810				Cam – Fast Idle
49	7003561				Screw – Cam Attaching
50	7002814				Plug – Lead Ball
	THROTTLE BODY PARTS				
51	KIT ONLY				Gasket – Throttle Body
52	7015105				Screw – Throttle Body
53	121744				Lockwasher – Throttle Body Screw
54	7019464				Pump Rod
55	7005032				Clip – Pump Rod
56	7013347				Idle Stop Screw (Standard)
56	7006213				Idle Stop Screw (Overdrive)
56	7029427	7029427	—	—	Idle Stop Screw (Velocity Governor)
—	7029428	7029428	—	—	Spring – Idle Stop Screw (Velocity Governor)
57	7037762	7035542	7037762	7035542	Throttle Body Assembly (Standard)
57	7035541	7037763	—	—	Throttle Body Assembly (Velocity Governor)
57	7037761	—	—	—	Throttle Body Assembly (Overdrive)
58	7041621				Idle Needle
59	7011479				Spring – Idle Needle
60	3704952				Flange Gasket (w/o Vel. Gov.)
—	3798751				Flange Gasket (Vel. Gov.)

7036446 Diverter Valve Assembly

NLA – NO LONGER AVAILABLE



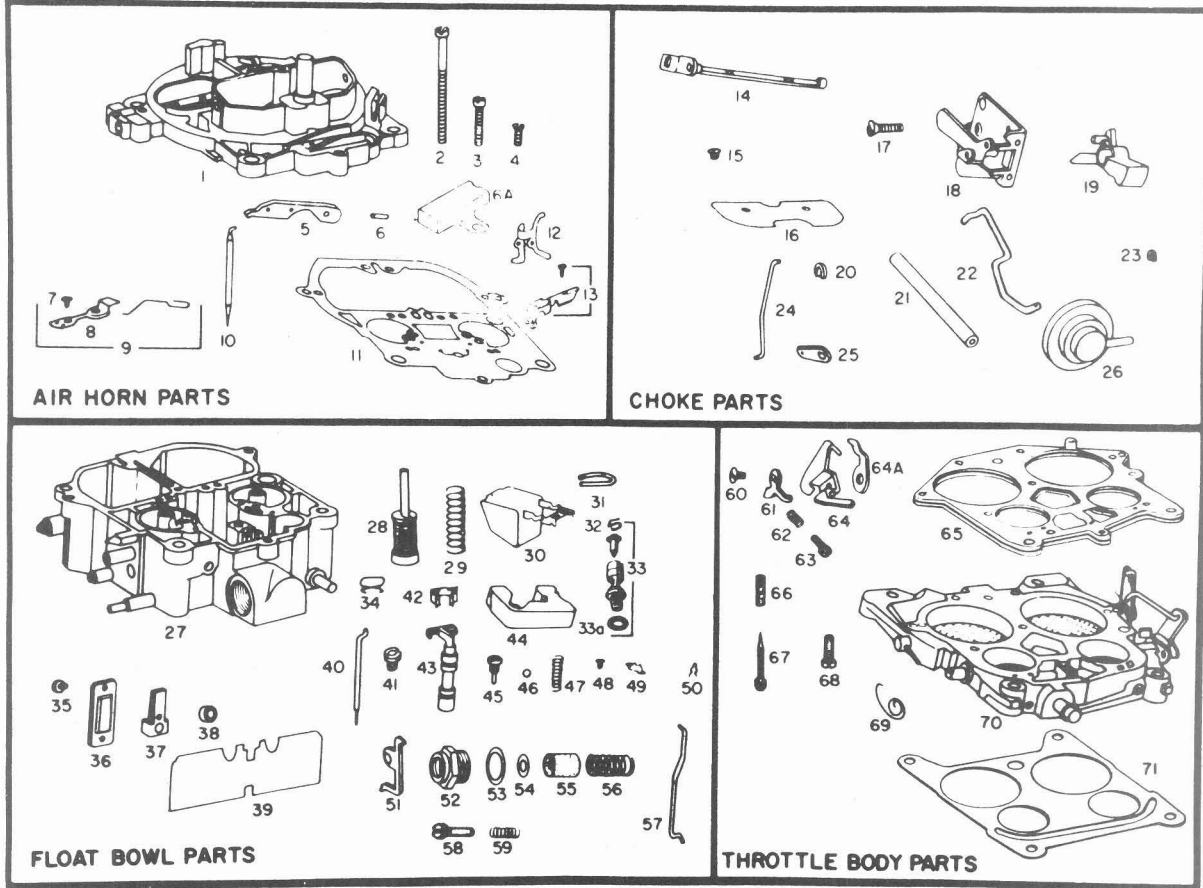
Delco Carburetor

MODEL 4 MV QUADRAJET

1968-69 CHEVROLET TRUCK

BULLETIN 9C-3010T
DATE: NOVEMBER, 1971
PAGE 1

PARTS SHOWN ARE FOR IDENTIFICATION ONLY. CONSULT PARTS LIST FOR CORRECT PART NAME AND NUMBER



PARTS IN ALL COLUMNS SAME EXCEPT WHERE INDICATED

Illus. No.	1968		1969			YEAR APPLICATION
	396 CU. IN.	327 CU. IN.	396 CU. IN.	350 CU. IN.	350 CU. IN.	
	7028217	7028213	7029214	7029223	7029224	CARBURETOR No.
	24-383	24-373	24-383	24-379	24-379	REPLACEMENT PACKAGE No.
	7016839	7016851	7036561	7036563	7036563	OVERHAUL KIT
	9126	9133	9150	9149	9149	POWER CARBURETOR KIT
	40-351	40-351	40-364	40-364	40-364	GASKET SET
	AIR HORN PARTS					
1	7034897	7034898	7037948	7037949	7037949	Air Horn Assembly
2	7029912					Screw - Air Horn
3	7014699					Screw - Air Horn
4	7031105					Screw - Air Horn
5	7026139					Lever - Pump Actuating
6	9428787					Roll Pin - Pump and Lockout Levers
6A	7035431					Shield - Idle Vent
7	7012548					Screw - Idle Vent Valve
8	7029993					Valve - Idle Vent
9	7036425					Idle Vent Valve Kit
10	7033549	7034320	7034300	7034320	7034320	Metering Rod - Secondary
11	7029087					Gasket - Air Horn
12	-					Lockout Lever - Air Valve
13	7034522					Secondary Metering Rod Holder Kit
	7035344					Air Valve Spring and Cam Kit

	7028217	7028213	7029214	7029223	7029224	CARBURETOR No.
Illus. No.	CHOKE PARTS					
14	7036430					Choke Shaft and Valve Kit
15	7029866					Screw – Choke Valve
16	NSS					Choke Valve
17	7031925					Screw – Vacuum Break Control
18	7036367	7036367	7037501	7037501	7037501	Vacuum Break Control Bracket Assembly
19	7036820	7036819	7036819	7036819	7036819	Cam – Fast Idle
20	7005109					Clip – Choke Rod
21	7026339					Hose – Vacuum
22	7038167					Rod – Vacuum Break
23	7005109					Clip – Vacuum Break Rod
24	7036067					Rod – Choke
25	7031231					Lever – Intermediate Choke
26	7034909	7034909	7038239	7038239	7038239	Vacuum Break Control Assembly
	FLOAT BOWL PARTS					
27	7036309	7036319	7036722	7036719	7036719	Float Bowl Assembly
28	7036140	7034111	7037327	7037337	7037337	Pump Assembly
29	7035672	7035672	7037314	7037314	7037314	Spring – Pump Return
30	7033752	7034454	7037316	7037316	7037316	Float Assembly
31	7029856	7029856	7037317	7037317	7037317	Hinge Pin – Float
32	7033751					Pull Clip – Float Needle
33	30-140	30-130	30-140	30-130	30-130	Needle and Seat Assembly
33A	KIT ONLY					Gasket – Needle Seat
34	7029862					Spring – Metering Rod – Primary
35	–	–	7020926	7020926	7020926	Screw – Cover Attaching
36	–	–	7029865	7029865	7029865	Cover – Idle Compensator
37	–	–	7034461	7034461	7034461	Idle Compensator Assembly
38	–	–	7027970	7027970	7027970	Gasket – Idle Compensator
39	7031365	7032324	7031365	7032324	7032324	Baffle Plate – Float Bowl
40	7034845	7034846	7034845	7034838	7034838	Metering Rod – Primary
41	7031971	7031971	7031971	7031967	7031967	Metering Jet – Primary
42	7034339					Retainer – Power Piston
43	7034903					Power Piston Assembly
44	7034361	7034361	7037319	7037319	7037319	Insert – Float Bowl
45	7029849					Retainer – Pump Discharge Ball
46	7002117					Ball – Pump Discharge
47	7036019	7036019	7037851	7037851	7037851	Spring – Power Piston
48	–					Screw – Diaphragm Retainer
49	–					Retainer – Float Needle Diaphragm
50	836159					Clip – Pump Rod
51	7027270					Lockout Lever – Secondary
52	7040955					Filter Nut – Fuel Inlet (See Note)
53	7032508					Gasket – Inlet Nut
54	–					Gasket – Filter
55	GF-427					Filter – Fuel Inlet
56	7034356					Spring – Inlet Filter
57	7032716					Rod – Pump
58	7002121					Screw – Idle Stop
59	7003176					Spring – Idle Stop Screw
	THROTTLE BODY PARTS					
60	7035523					Screw – Cam and Fast Idle Levers Attaching
61	7035806					Lever – Fast Idle
62	7029900					Spring – Fast Idle Screw
63	7029899					Screw – Fast Idle Adjusting
64	7035409					Lever – Cam Follower
64A	7035840					Lever – Wide Open Kick
65	KIT ONLY					Gasket – Throttle Body
66	7011479					Spring – Idle Needle
67	7041612	7041612	7041864	7041864	7041864	Needle – Idle Adjusting
68	7029891	7029891	7035790	7035790	7035790	Screw – Throttle Body
69	7035772					Spring - Cam Follower Lever
70	7036410	7036406	7036590	7036773	7036773	Throttle Body Assembly
71	3884574					Gasket – Flange
	ACCESSORIES					
	7036448	7036452	7029299	7029295	7029295	Diverter Valve Assembly



Delco Carburetor

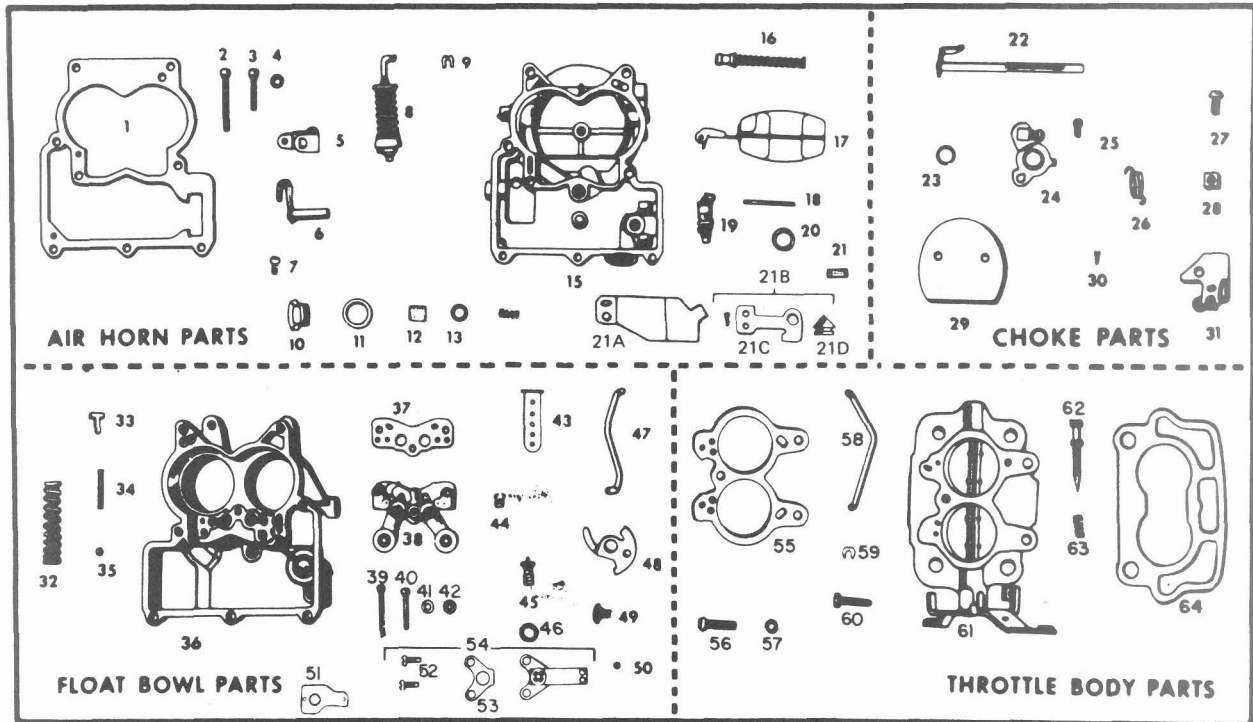
MODEL 2G CARBURETORS

1969 CHEVROLET V-8 TRUCK

307 CUBIC INCH ENGINE

BULLETIN 9C-3011T
 DATE: NOVEMBER, 1971
 PAGE 1

PARTS SHOWN ARE FOR IDENTIFICATION ONLY. CONSULT PARTS LIST FOR CORRECT PART NAME AND NUMBER



PARTS IN ALL COLUMNS SAME EXCEPT WHERE INDICATED

	STANDARD	VEL. GOV.	G-10	APPLICATION
	7029107	7029108	7029125	CARBURETOR No.
	22-381	22-375	22-381	REPLACEMENT PACKAGE No.
	7036533			OVERHAUL KIT
	9009			POWER CARBURETOR KIT
	40-240			GASKET SET
Illus. No.	AIR HORN PARTS			
1	7008600			Gasket - Air Horn
2	7010432			Screw - Air Horn (Long)
3	7006119			Screw - Air Horn (Short)
4	120217			Lockwasher - Air Horn Screw
5	NSS			Lever - Pump Inside
6	7036764			Pump Shaft and Lever Kit
7	7011270			Screw - Pump Lever
-	7019568			Washer - Pump Lever
8	7031824			Pump Assembly
9	7005032			Clip - Pump Plunger
10	7040952			Nut - Filter
11	7032508			Gasket - Filter Nut
12	7013404			Filter - Fuel Inlet
13	7013584			Gasket - Filter
14	7034356			Spring - Filter
15	7036577			Air Horn Assembly

	7029107	7029108	7029125	CARBURETOR No.
	AIR HORN PARTS (Continued)			
Illus. No.				
16	7034359			Power Piston Assembly
17	7037519			Float Assembly
18	7002081			Pin – Float Hinge
19	30-9			Needle and Seat Assembly
20	KIT ONLY			Gasket – Needle Seat
21	7006079			Strainer – Needle Seat
–	7006474			Pull Clip – Float Needle
21A	–	–	7037718	Shield – Idle Vent
21B	–	–	7036556	Idle Vent Valve Kit
21C	–	–	7012548	Screw – Vent Valve
21D	–	–	7029993	Valve – Idle Vent
	CHOKE PARTS			
22	7006806			Choke Shaft Assembly
23	838884			Retainer – Choke Lever
24	7006803			Choke Lever and Swivel Assembly
25	7011270			Screw – Choke Lever
26	7019892			Spring – Choke Valve
27	7019707			Screw – Wire Clamp
28	120619			Nut – Wire Clamp
29	7025955			Choke Valve
30	7007627			Screw – Choke Valve
31	7006812			Bracket Choke
	FLOAT BOWL PARTS			
32	7004597			Spring – Pump Return
33	7000286			Guide – Pump Discharge
34	7002118			Spring – Pump Discharge
35	7002117			Ball – Pump Discharge
36	7036402	7036402	7036403	Float Bowl Assembly
37	KIT ONLY			Gasket – Venturi Cluster
38	7037760			Venturi Cluster Assembly
39	7000293			Screw – Venturi Cluster – Outer
40	7000294			Screw – Venturi Cluster – Center
41	KIT ONLY			Gasket – Cluster Center Screw
42	121841			Lockwasher – Outer Screws
43	7021528			Insert – Main Well
44	7002652			Jet – Main Metering
45	7037115			Power Valve Assembly
46	KIT ONLY			Gasket – Power Valve
47	7025667			Choke Rod
48	7006810			Cam – Fast Idle
49	7003561			Screw – Cam Attaching
50	7002814			Plug – Lead Ball
51	–	–	7013937	Cover – Idle Compensator
52	–	–	7015127	Screw – Cover
53	–	–	7013341	Gasket – Idle Compensator
54	–	–	7036644	Idle Compensator Kit
	THROTTLE BODY PARTS			
55	KIT ONLY			Gasket – Throttle Body
56	7015105			Screw – Throttle Body
57	121744			Lockwasher – Throttle Body Screw
58	7019464			Pump Rod
59	7005032			Clip – Pump Rod
60	7029427			Idle Stop Screw
–	7029428			Spring – Idle Stop Screw
61	7037143	7038022	7037126	Throttle Body Assembly
62	7041621			Idle Needle
63	7011479			Spring – Idle Needle
64	3704952	3798751	3704952	Flange Gasket

ACCESSORIES	
7029294	Diverter Valve Assembly (C, G and K Series)
7029193	Diverter Valve Assembly (P Series)

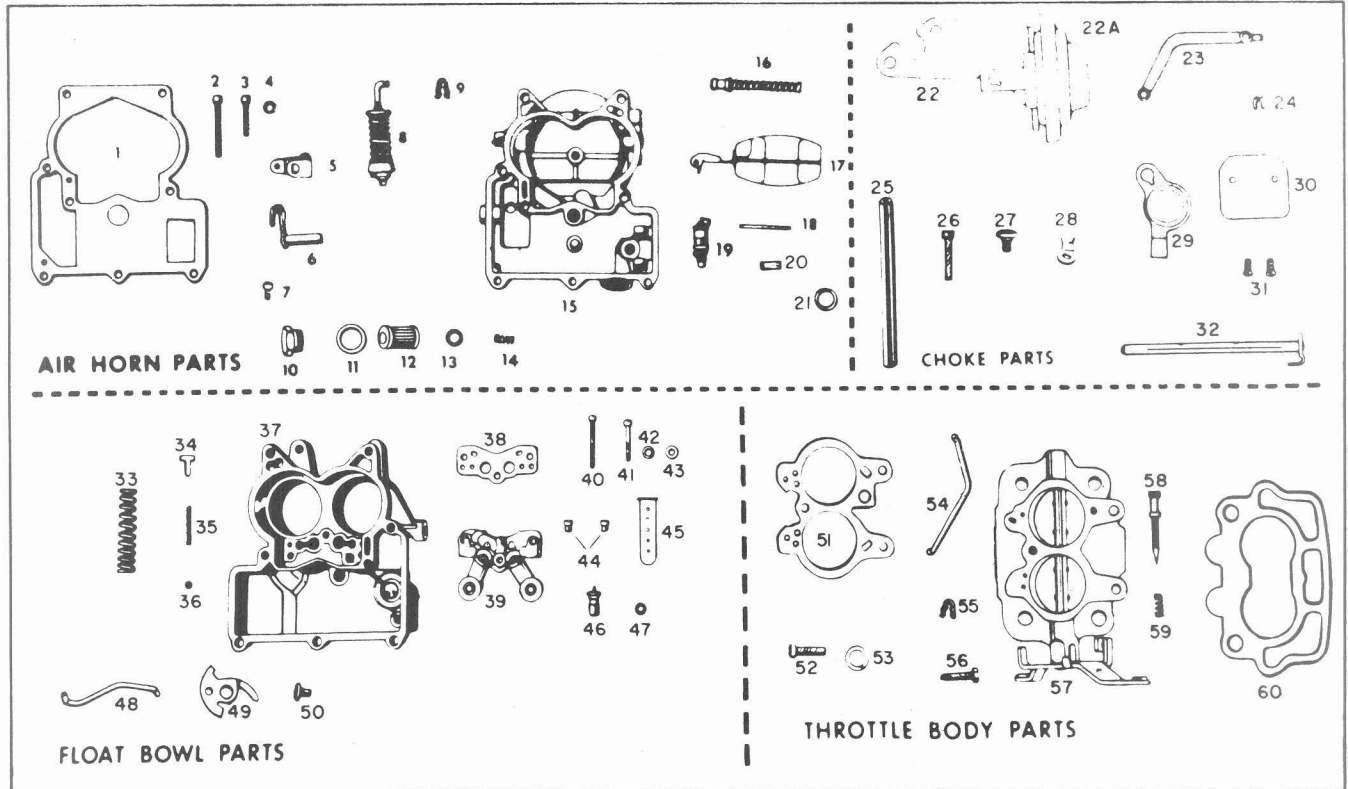


Delco Carburetor

MODEL 2GV CARBURETORS 1969 CHEVROLET TRUCK 350 CUBIC INCH ENGINE

BULLETIN 9C-3012T
DATE: NOVEMBER 1971
PAGE 1

PARTS SHOWN ARE FOR IDENTIFICATION ONLY, CONSULT PARTS LIST FOR CORRECT PART NAME AND NUMBER



PARTS IN ALL COLUMNS SAME EXCEPT WHERE INDICATED

	MAN. TRANS. STANDARD	APPLICATION
	7029121	CARBURETOR No.
	22-377	REPLACEMENT PKG. No.
	7036761	OVERHAUL KIT
	9151	POWER CARBURETOR KIT
	40-365	GASKET SET
Illus. No.	AIR HORN PARTS	
1	7035815	Gasket—Air Horn
2	7010432	Screw—Air Horn (Long)
3	7006119	Screw—Air Horn (Short)
4	120217	Lockwasher—Air Horn Screws
5	NSS	Lever—Pump Inside
6	7036764	Pump Shaft and Lever Kit
7	7011270	Screw—Pump Lever
—	7019568	Washer—Pump Lever
8	7037562	Pump Assembly
9	1875293	Clip—Pump Plunger
10	7040955	Nut—Fuel Filter
11	7032508	Gasket—Fuel Filter
12	GF-427	Filter—Fuel Inlet
13		Gasket—Fuel Filter
14	7034356	Spring—Fuel Filter
15	7036758	Air Horn Assembly

	7029121	CARBURETOR No.
Illus. No.	AIR HORN PARTS (Continued)	
16	7009718	Power Piston Assembly
17	7037512	Float Assembly
18	7010037	Pin-Float Hinge
19	30-13	Needle and Seat Assembly
20	7006079	Strainer-Needle Seat
21	KIT ONLY	Gasket-Needle Seat
-	7006474	Pull Clip-Float Needle
	CHOKE PARTS	
22	7038624	Vacuum Break Control & Bracket Assembly
22A	7038632	Vacuum Break Control Assembly
23	7026685	Rod-Vacuum Control
24	7005109	Clip-Control Rod
25	7026339	Hose-Vacuum
26	7037570	Screw-Vacuum Control Attaching
27	7019709	Screw-Stat Rod Lever
28	7006596	Trip Lever
29	7026239	Choke Lever
30	7033443	Choke Valve
31	7007627	Screw-Choke Valve
32	7037175	Choke Shaft Assembly
	FLOAT BOWL PARTS	
33	7004597	Spring-Pump Return
34	7000286	Guide-Pump Discharge
35	7002118	Spring-Pump Discharge
36	7002117	Ball-Pump Discharge
37	7036762	Float Bowl Assembly
38	KIT ONLY	Gasket-Venturi Cluster
39	7038626	Venturi Cluster Assembly
40	7008502	Screw-Venturi Cluster-Outer
41	7009077	Screw-Cluster-Center
42	120217	Lockwasher-Outer Screws
43	KIT ONLY	Gasket-Center Screw
44	7008668	Jet-Standard
45	7021528	Insert-Main Well
46	7011989	Power Valve Assembly
47	KIT ONLY	Gasket-Power Valve
48	7036186	Choke Rod
49	7033376	Cam-Fast Idle
50	7003561	Screw-Cam Attaching
	THROTTLE BODY PARTS	
51	KIT ONLY	Gasket-Throttle Body
52	7015105	Screw-Throttle Body
53	121744	Lockwasher-Throttle Body Screws
54	7036760	Pump Rod
55	1875293	Clip-Pump Rod
56	7029427	Idle Stop Screw
-	7037131	Spring-Idle Stop Screw
57	7037690	Throttle Body Assembly
58	7041621	Idle Adjusting Needle
59	7011479	Spring-Idle Needle
60	3942470	Gasket-Flange

7029293

Diverter Valve Assembly



Delco Carburetor

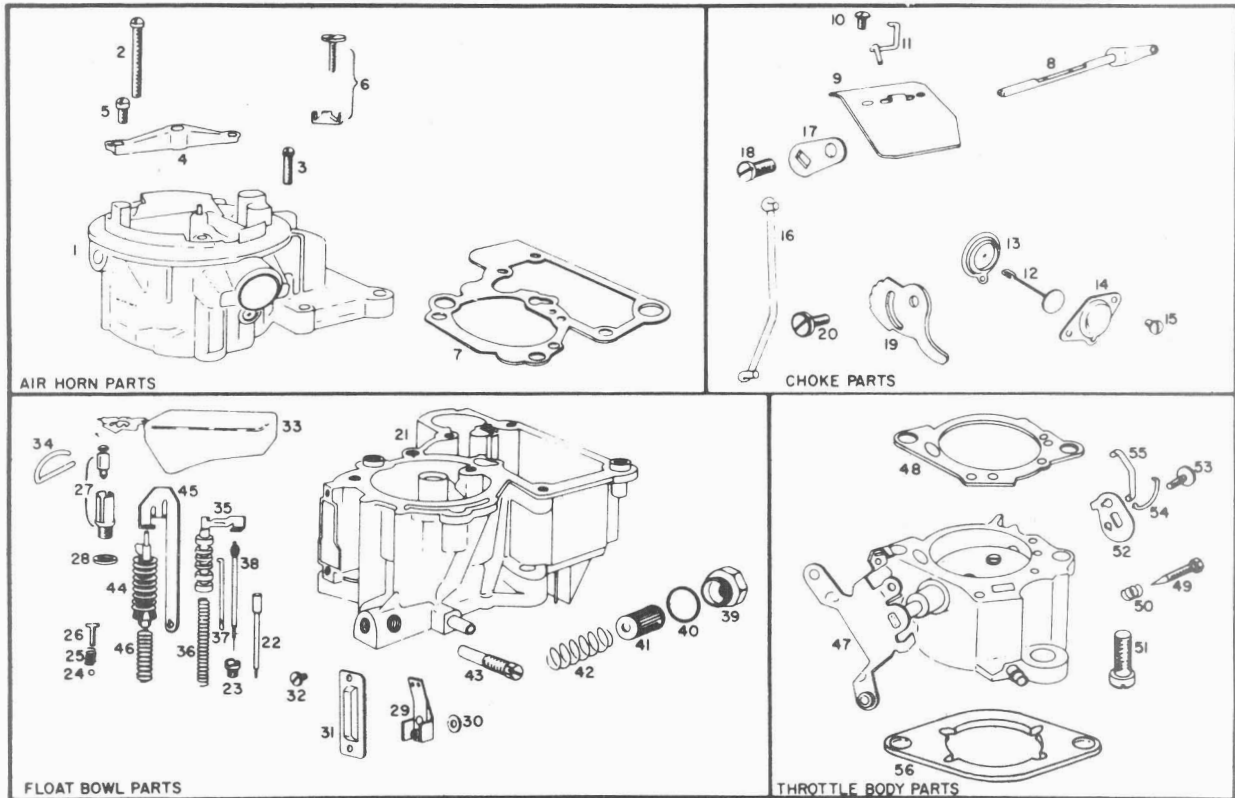
MODEL MV MONOJET

1969-1970 CHEVROLET TRUCK

AUTOMATIC CHOKE

BULLETIN 9C-3013T
DATE: NOVEMBER, 1971
PAGE 1

PARTS SHOWN ARE FOR IDENTIFICATION ONLY CONSULT PARTS LIST FOR CORRECT PART NAME AND NUMBER



PARTS IN ALL COLUMNS SAME EXCEPT WHERE INDICATED

Illus. No.	1969		1970		YEAR
	250 CU. IN.	292 CU. IN.	250 CU. IN.	292 CU. IN.	APPLICATION
	7029021	7029022	7040021	7040022	CARBURETOR No.
	21-375	21-378	21-385	21-386	REPLACEMENT PACKAGE No.
	7036574	7036573	7036782	7036788	OVERHAUL KIT
	9147	9147	9166	9166	POWER CARBURETOR KIT
	40-362	40-362	40-371	40-371	GASKET SET
	AIR HORN PARTS				
1	7037805	7037588	7038556	7038557	Air Horn Assembly
2	7038912				Screw - Air Horn - Long
3	7014698				Screw - Air Horn - Short
4	7037773				Bracket - Air Cleaner Stud
5	7038913				Screw - Bracket Attaching
6	7036348	7036348	-	-	Idle Vent Valve Kit
7	7037591				Gasket - Air Horn
	CHOKE PARTS				
8	7034009	7034009	7036973	7036973	Choke Shaft and Lever Assembly
9	7034012				Choke Valve
10	7020926				Screw - Choke Valve
11	7034013				Connector - Vacuum Break Link
12	7035877	7037827	7040646	7037827	Vacuum Break Link Assy.
13	7034017				Diaphragm - Vacuum Break
14	7034018				Cover - Vacuum Break
15	7020926				Screw - Cover
16	7037000				Choke Rod
17	7036973	7036973	-	-	Choke Lever
18	7019709				Screw - Choke Lever
19	7040635	7040635	7040633	7040633	Cam - Fast Idle
20	7003561				Screw - Cam Attaching

	7029021	7029022	7040021	7040022	CARBURETOR No.
	FLOAT BOWL PARTS				
Illus. No.					
21	7036665	7036837	7036838	7036837	Float Bowl Assembly
22	7033940	7033940	7033946	7033940	Idle Tube Assembly
23	7034206	7034228	7034205	7034228	Jet – Main Metering
24	7002117				Ball – Pump Discharge
25	7002118				Spring – Pump Discharge
26	7003838				Guide – Pump Discharge
27	30-133				Needle and Seat Assembly
28	KIT ONLY				Gasket – Needle Seat
29	–				Idle Compensator Assembly
30	–				Gasket – Idle Compensator
31	7037299				Bracket – Throttle Return Spring
32	7034030				Screw – Bracket
33	7037022				Float Assembly
34	7034032				Hinge Pin – Float
35	7037804	7037804	7037780	7037780	Power Piston Assembly
36	7012515	7034360	7012515	7012515	Spring – Power Piston
37	7035297				Rod – Power Piston
38	7040630	7043614	7040630	7040673	Metering Rod & Spring Assembly
39	7033500				Filter Nut – Fuel Inlet
40	7032508				Gasket – Filter Nut
41	GF-427				Filter – Fuel Inlet
42	7031539				Spring – Fuel Filter
43	7034034				Screw – Slow Idle
44	7037597				Pump Assembly
45	7034048	7034048	7042670	7042670	Lever – Pump Actuating
46	7008694				Spring – Pump Return
	THROTTLE BODY PARTS				
47	7037038	7037047	7040671	7040672	Throttle Body Assembly
48	KIT ONLY				Gasket – Throttle Body
49	7041612	7043614	7041612	7041621	Idle Needle
50	7011479				Spring – Idle Needle
51	7038875				Screw – Throttle Body
52	7038049				Lever – Pump and Power Rods
53	7010435				Screw – Lever Attaching
54	7035502				Link – Power Piston Rod
55	7037981	7037855	7037855	7037855	Link – Pump Lever
56	3953732				Gasket – Flange (Non California)
	–	–	3967065	3967065	Gasket – Flange (California)
	–	–	3967076	3967076	Insulator – Flange (California)



Delco Carburetor

MODEL 2GV CARBURETORS

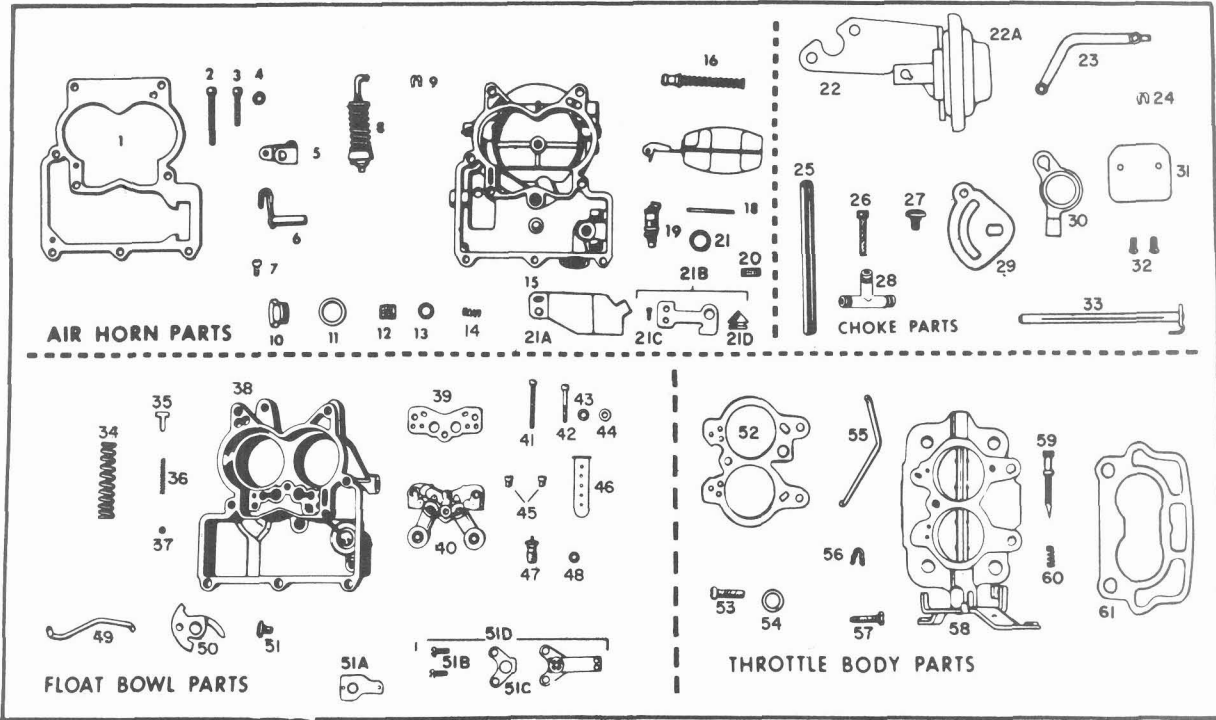
1969-1970 CHEVROLET V-8 TRUCK

AUTOMATIC CHOKE

307 CUBIC INCH ENGINE

BULLETIN 9C-3014T
DATE: NOVEMBER, 1971
PAGE 1

PARTS SHOWN ARE FOR IDENTIFICATION ONLY. CONSULT PARTS LIST FOR CORRECT PART NAME AND NUMBER



PARTS IN ALL COLUMNS SAME EXCEPT WHERE INDICATED

Illus. No.	1969	1970		YEAR	APPLICATION
	ALL	STD. M/T	STD. A/T	SERIES 20&30	
	7029105	7040105	7040125	7040108	CARBURETOR No. (Non California)
	—	7040405	7040425	—	CARBURETOR No. (California)
	22-373	22-393	22-392	22-396	REPLACEMENT PKG. No.
	7036533	7036796	7036796	7036808	OVERHAUL KIT
	9009	9167	9167	9167	POWER CARBURETOR KIT
	40-240	40-372	40-372	40-372	GASKET SET
	AIR HORN PARTS				
1	7008600	7038522	7038522	7038522	Gasket — Air Horn
2	7010432				Screw — Air Horn (Long)
3	7006119				Screw — Air Horn (Short)
4	120217				Lockwasher — Air Horn Screws
5	*7036764	7038630	7038630	7038630	Lever — Pump Inside
6	*7036764	7038788	7038788	7038788	Pump Shaft and Lever Assembly
7	7011270				Screw — Pump Lever
—	7019568				Washer — Pump Lever
8	7031824	7042819	7040996	7042819	Pump Assembly
9	7005032	—	—	—	Clip — Pump Plunger
10	7040952				Nut — Fuel Filter
11	7032508				Gasket — Fuel Filter
12	7013404				Filter — Fuel Inlet
13	7013584				Gasket — Fuel Filter
14	7034356				Spring — Fuel Filter
15	7036583	7036790	7036790	7036790	Air Horn Assembly

CO, WD, 131, 132:16, 9X, 9FR, 9FD

*Pump Shaft & Lever Kit

PRINTED IN U.S.A.
© 1971, GENERAL MOTORS CORP.

	7029105	7040105	7040125	7040108	CARBURETOR No. (Non California)
	—	7040405	7040425	—	CARBURETOR No. (California)
AIR HORN PARTS (Continued)					
Illus. No.					
16	7034359	7006323	7034359	7034359	Power Piston Assembly
17	7037519	7037512	7037512	7037519	Float Assembly
18	7002081				Pin — Float Hinge
19	30-9				Needle and Seat Assembly
20	7006079				Strainer — Needle Seat
21	KIT ONLY				Gasket — Needle Seat
21A	—	7037718	7037718	7037718	Shield — Idle Vent
21B	—	7036556	7036556	7036556	Idle Vent Valve Kit (Non California)
21C	—	7012548	7012548	7012548	Screw — Idle Vent
21D	—	7029993	7029993	7029993	Valve — Idle Vent
—	—	7038814	7038814	7038814	Plug — Vent Valve (California)
CHOKE PARTS					
22	7036768	7026278	7026278	7026278	Vacuum Break Control & Bracket Assem.
22A	7036769	7040849	7040849	7040849	Vacuum Break Control Assembly
23	7037770				Rod — Vacuum Control
24	—				Clip — Control Rod
25	7026339				Hose — Vacuum
26	7011270				Screw — Vacuum Control Attaching
27	7019709				Screw — Stat Rod Lever
28	3760758				Tee — Air Bleed Valve
29	7026469	7038612	7038612	7038612	Lever — Stat Rod
30	7026239				Choke Lever
31	7025955				Choke Valve
32	7007627				Screw — Choke Valve
33	7027891				Choke Shaft Assembly
FLOAT BOWL PARTS					
34	7004597				Spring — Pump Return
35	7000286				Guide — Pump Discharge
36	7002118				Spring — Pump Discharge
37	7002117				Ball — Pump Discharge
38	7036402	7036804	7036804	7036791	Float Bowl Assembly
39	KIT ONLY				Gasket — Venturi Cluster
40	7037760	7040960	7040973	7037760	Venturi Cluster Assembly
41	7000293				Screw — Venturi Cluster — Outer
42	7000294				Screw — Cluster — Center
43	121841				Lockwasher — Outer Screws
44	KIT ONLY				Gasket — Center Screw
45	7002652	7002651	7002649	7002652	Jet — Standard
46	7021528				Insert — Main Well
47	7037115	7010918	7010918	7037115	Power Valve Assembly
48	KIT ONLY				Gasket — Power Valve
49	7026559				Choke Rod
50	7035923	7026111	7035923	7029979	Cam — Fast Idle
51	7003561				Screw — Cam Attaching
51A	—	—	7013937	—	Cover — Idle Compensator
51B	—	—	7015127	—	Screw — Idle Compensator
51C	—	—	KIT ONLY	—	Gasket — Idle Compensator
51D	—	—	7036805	—	Idle Compensator Kit
THROTTLE BODY PARTS					
52	KIT ONLY				Gasket — Throttle Body
53	7015105				Screw — Throttle Body
54	121744				Lockwasher — Throttle Body Screws
55	7019464	7026156	7026156	7026156	Pump Rod
56	1875293	7018186	7018186	7018186	Clip — Pump Rod
57	7029427				Idle Stop Screw
—	7029428				Spring — Idle Stop Screw
58	7037002	7038914	7038783	7038455	Throttle Body Assembly (Non California)
58	—	7038532	7038529	—	Throttle Body Assembly (California)
59	7041621				Idle Adjusting Needle
60	7011479				Spring — Idle Needle
61	3704952				Gasket — Flange (Non California)
—	—	3970040	3970040	3970040	Gasket — Flange (California)
—	—	3973300	3973300	3973300	Insulator Flange (California)

ACCESSORIES	
7036964	Vapor Canister
7021739	Canister Filter Assembly
7026014	Filter Element

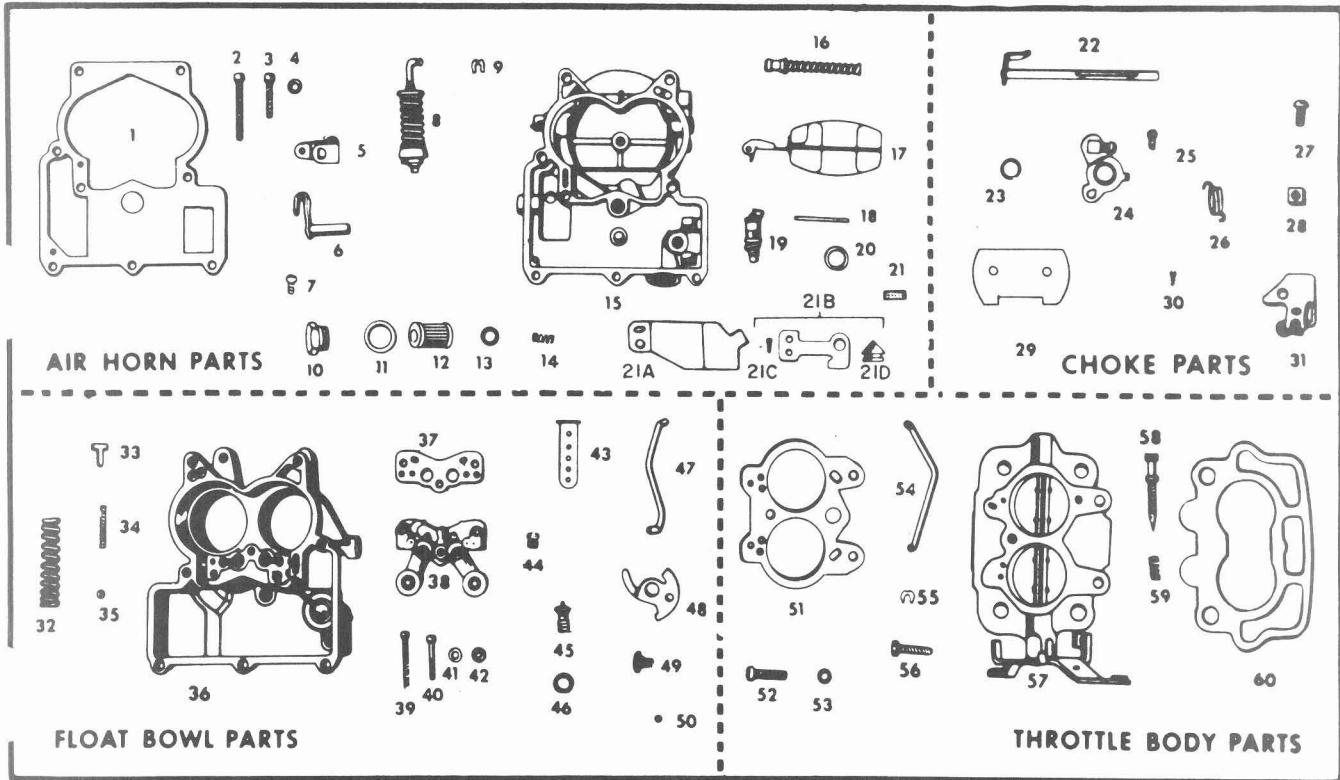


Delco Carburetor

MODEL 2G CARBURETORS 1969-1970 CHEVROLET V-8 TRUCK 350 CUBIC INCH ENGINE

BULLETIN 9C-3015T
DATE: NOVEMBER, 1971
PAGE 1

PARTS SHOWN ARE FOR IDENTIFICATION ONLY, CONSULT PARTS LIST FOR CORRECT PART NAME AND NUMBER



PARTS IN ALL COLUMNS SAME EXCEPT WHERE INDICATED

	1969	1970	YEAR
	7029123	7040123	CARBURETOR No.
	22-383	22-395	REPLACEMENT PACKAGE No.
	7036581	7041301	OVERHAUL KIT
	9151	9169	POWER CARBURETOR KIT
	40-365	40-373	GASKET SET
Illus. No.	AIR HORN PARTS		
1	7035815	7038523	Gasket—Air Horn
2	7010432		Screw—Air Horn (Long)
3	7006119		Screw—Air Horn (Short)
4	120217		Lockwasher—Air Horn Screw
5	*7036764	7038630	Lever—Pump Inside
6	*7036764	7038788	Pump Shaft and Lever Assembly
7	7011270		Screw—Pump Lever
—	7019568		Washer—Pump Lever
8	7037562	7036282	Pump Assembly
9	7005032	—	Clip—Pump Plunger
10	7040955		Nut—Filter
11	7032508		Gasket—Filter Nut
12	GF-427		Filter—Fuel Inlet
13	—		Gasket—Filter
14	7034356		Spring—Filter
15	7036578	7036806	Air Horn Assembly

CO, WD, 131, 132:16, 9X, 9FR, 9FD

PRINTED IN U.S.A.
©1971 GENERAL MOTORS CORP.

*Pump Shaft & Lever Kit

	7029123	7040123	CARBURETOR No.
Illus. No.	AIR HORN PARTS (Continued)		
16	7037811		Power Piston Assembly
17	7037512		Float Assembly
18	7010037		Pin—Float Hinge
19	30-13		Needle and Seat Assembly
20	KIT ONLY		Gasket—Needle Seat
21	7006079		Strainer—Needle Seat
21A	—	7037718	Shield—Idle Vent
21B	—	7036556	Idle Vent Valve Kit
21C	—	7012548	Screw—Idle Vent
21D	—	7029993	Valve—Idle Vent
—	7006474		Pull Clip—Float Needle
	CHOKE PARTS		
22	7038136		Choke Shaft Assembly
23	838884		Retainer—Choke Lever
24	7006803		Choke Lever and Swivel Assembly
25	7011270		Screw—Choke Lever
26	7019892		Spring—Choke Valve
27	7019707		Screw—Wire Clamp
28	120619		Nut—Wire Clamp
29	7033443		Choke Valve
30	7007627		Screw—Choke Valve
31	7024872		Bracket Choke
	FLOAT BOWL PARTS		
32	7004597		Spring—Pump Return
33	7000286		Guide—Pump Discharge
34	7002118		Spring—Pump Discharge
35	7002117		Ball—Pump Discharge
36	7036580		Float Bowl Assembly
37	KIT ONLY		Gasket—Vent. Cluster
38	7037757		Venturi Cluster Assembly
39	7008502		Screw—Venturi Cluster—Outer
40	7009077		Screw—Venturi Cluster—Center
41	KIT ONLY		Gasket—Cluster Center Screw
42	120217		Lockwasher—Outer Screws
43	—		Insert Main Well
44	7008666		Jet—Main Metering
45	7037812		Power Valve Assembly
46	KIT ONLY		Gasket—Power Valve
47	7010055		Choke Rod
48	7006810		Cam—Fast Idle
49	7003561		Screw—Cam Attaching
50	7002814		Plug—Lead Ball
	THROTTLE BODY PARTS		
51	KIT ONLY		Gasket—Throttle Body
52	7015105		Screw—Throttle Body
53	121744		Lockwasher—Throttle Body Screw
54	7036760	7038799	Pump Rod
55	7005032	7018186	Clip—Pump Rod
56	7029427		Idle Stop Screw
—	7037131		Spring—Idle Stop Screw
57	7037108	7038782	Throttle Body Assembly
58	7041621		Idle Needle
59	7011479		Spring—Idle Needle
60	3942470		Flange Gasket (Non California)
—	—	3973302	Flange Gasket (California)
—	—	3970050	Insulator—Flange (California)



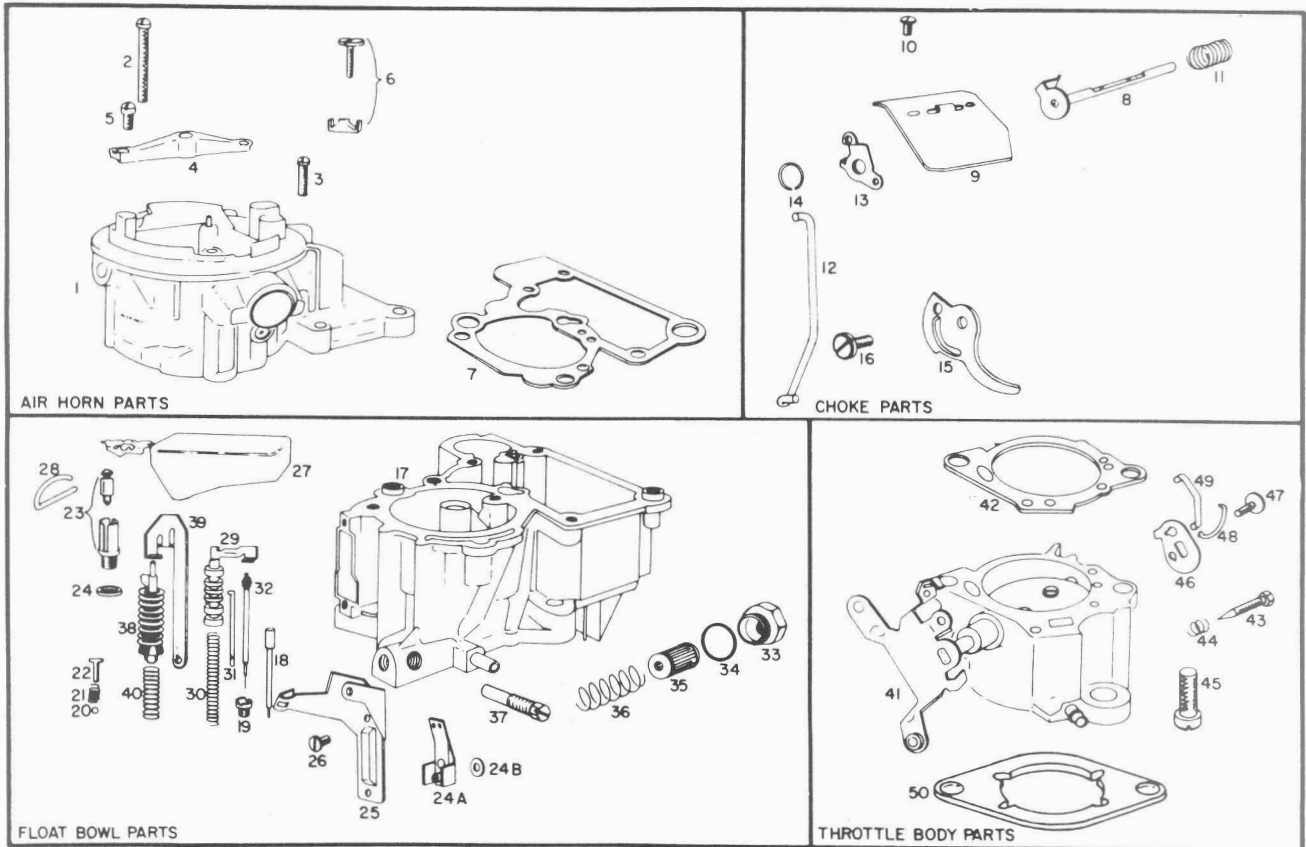
Delco Carburetor

MODEL M MANUAL CHOKE MONOJET

1969-1971 CHEVROLET AND GMC TRUCK "6"

BULLETIN 9C-3016T
DATE: NOVEMBER, 1971
PAGE 1

PARTS SHOWN ARE FOR IDENTIFICATION ONLY. CONSULT PARTS LIST FOR CORRECT PART NAME AND NUMBER



PARTS IN ALL COLUMNS SAME EXCEPT WHERE INDICATED

	1969			1970-71		APPLICATION
	250 CU. IN. G-10	250 CU. IN. OTHER	292 CU. IN. ALL	250 CU. IN.	292 CU. IN.	
	7029007	7029011	7029012	7040011	7040012	CARBURETOR No.
	21-373	21-373	21-376	21-383	21-384	REPLACEMENT PACKAGE
	7036574	7036574	7036573	7036787	7041639	OVERHAUL KIT
	9147	9147	9147	9166	9166	POWER CARBURETOR KIT
	40-362	40-362	40-362	40-371	40-371	GASKET SET
Illus. No.	AIR HORN PARTS					
1	7037040	7037040	7037040	7042481	7042481	Air Horn Assembly
2	7038912					Screw - Air Horn - Long
3	7014698					Screw - Air Horn - Short
4	7037773					Bracket - Air Cleaner Stud
5	7038913					Screw - Bracket Attaching
6	7036348	7036348	7036348	-	-	Idle Vent Valve Kit
7	7037591					Gasket - Air Horn
	CHOKE PARTS					
8	7028177					Choke Shaft and Lever Assembly
9	7034012					Choke Valve
10	7020926					Screw - Choke Valve
11	7035700					Spring - Choke Valve
12	7037000					Choke Rod
13	7037907					Choke Lever
14	832834					Retainer - Choke Lever
15	7037005					Cam - First Idle
16	7003561					Screw - Cam Attaching

	7029007	7029011	7029012	7040011	7040012	CARBURETOR No.
	FLOAT BOWL PARTS					
17	7036664	7036665	7036837	7036836	7036837	Float Bowl Assembly
18	7033940					Idle Tube Assembly
19	7034206	7034206	7034228	7034206	7034228	Jet - Main Metering
20	7002117					Ball - Pump Discharge
21	7002118					Spring - Pump Discharge
22	7003838					Guide - Pump Discharge
23	30-133					Needle and Seat Assembly
24	KIT ONLY					Gasket - Needle Seat
24A	7038840					Idle Compensator Assembly
24B	7027970					Gasket - Idle Compensator
25	7035725					Bracket - Bowden Wire
26	7034030					Screw - Bowden Wire Bracket
27	7037022					Float Assembly
28	7034032					Hinge Pin - Float
29	7037804					Power Piston Assembly
30	7012515	7012515	7034360	7012515	7023993	Spring - Power Piston
31	7035297					Rod - Power Piston
32	7040630	7040630	7043614	7040630	7037979	Metering Rod and Spring Assembly
33	7042357	7033500	7033500	7033500	7033500	Filter Nut
34	7032508					Gasket - Filter Nut
35	GF-427					Filter - Fuel Inlet
36	7031539					Spring - Fuel Filter
37	7034034					Screw - Slow Idle
38	7037597					Pump Assembly
39	7034048	7034048	7034048	7042670	7042670	Lever - Pump Actuating
40	7008694					Spring - Pump Return
	THROTTLE BODY PARTS					
41	7042487	7042487	7042488	7042487	7042488	Throttle Body Assembly
42	KIT ONLY					Gasket - Throttle Body
43	7041612	7041612	7041864	7041612	7041864	Idle Needle
44	7011479					Spring - Idle Needle
45	7038875					Screw - Throttle Body
46	7038049					Lever - Pump and Power Rods
47	7010435					Screw - Lever Attaching
48	7035502					Link - Power Piston Rod
49	7037981	7037981	7037855	7037981	7037855	Link - Pump Lever
50	3953732	-	-	-	-	Gasket - Flange (Non California)
-	-	-	-	3967065	3967065	Gasket - Flange (California)
-	-	-	-	3967076	3967076	Insulator - Flange (California)



Delco Carburetor

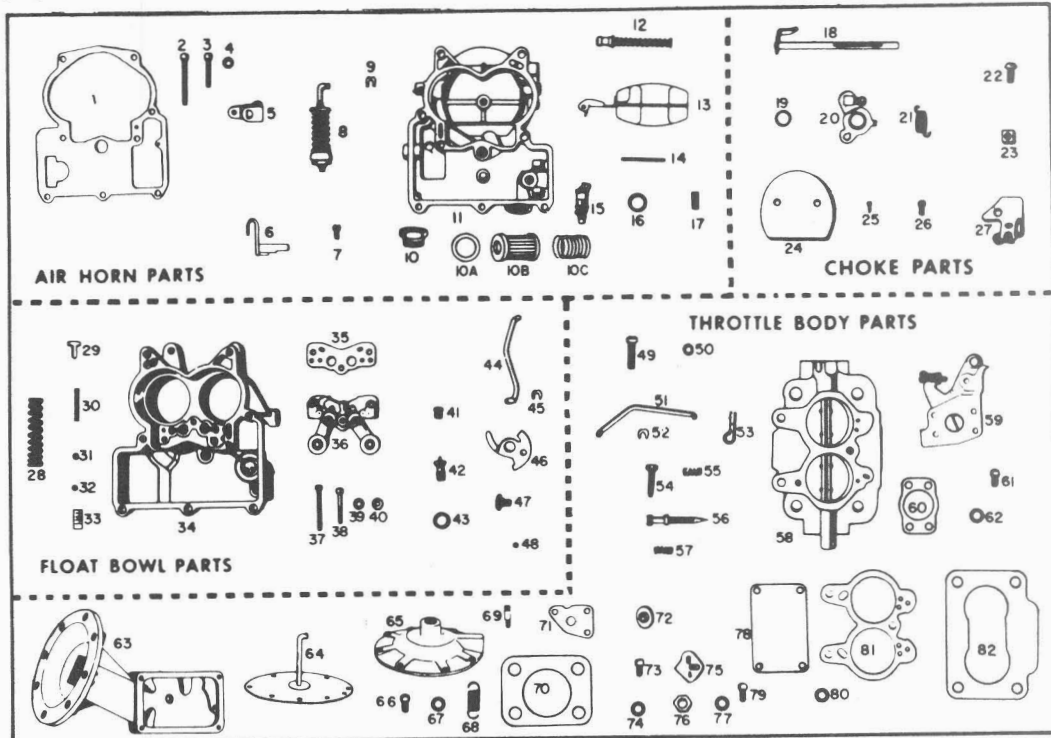
MODEL 2G CARBURETORS

1969-1971 CHEVROLET & GMC TRUCKS

BULLETIN 9C-3017T
 DATE: NOVEMBER, 1971
 PAGE 1

VACUUM OPERATED GOVERNOR
 350 CUBIC INCH ENGINE V-8

PARTS SHOWN ARE FOR IDENTIFICATION ONLY. CONSULT PARTS LIST FOR CORRECT PART NAME AND NUMBER



PARTS IN ALL COLUMNS SAME - EXCEPT WHERE INDICATED

	1969	1970	1971	YEAR
	7029124	7040124	7041124	CARBURETOR No.
	22-372	22-394	22-3012	REPLACEMENT PACKAGE No.
	7036588	7036809	7041652	OVERHAUL KIT
	9152	9170	9200	POWER CARBURETOR KIT
	40-366	40-374	40-391	GASKET SET
Illus. No.	AIR HORN PARTS			
1	7035815	7038523	7038523	Gasket - Air Horn
2	7010432			Screw - Air Horn (Long)
3	7006119			Screw - Air Horn (Short)
4	120217			Lockwasher - Air Horn Screw
5	**7036764	7038630	7038630	Lever - Pump Inside
6	**7036764	7038788	7038788	Pump Shaft and Lever Assembly
7	7011270			Screw - Pump Lever
	7019568			Washer - Pump Lever
8	7037562	7036282	7036282	Pump Assembly
9	7005032			Clip - Pump Plunger
10	7040955			Filter Nut - Fuel Inlet
10A	7032508			Gasket - Filter Nut
10B	GF-427			Filter - Fuel Inlet
10C	7034356			Spring - Fuel Filter
11	7036585	7036806	7036806	Air Horn Assembly
12	7037811	7037811	7043894	Power Piston Assembly
13	7037512			Float Assembly
14	7010037			Pin Float Hinge
15	30-13			Needle and Seat Assembly
16	KIT ONLY			Gasket - Needle Seat
17	7006079			Strainer - Needle Seat
	-	7037718	7037718	Shield - Idle Vent
	-	7036556	7036556	Idle Vent Valve Kit
	-	7012548	7012548	Screw - Idle Vent
	-	7029993	7029993	Valve - Idle Vent

	7029124	7040124	7041124	CARBURETOR No.
				CHOKE PARTS
Illus. No.				
18	7038136			Choke Shaft Assembly
19	838884			Retainer – Choke Lever
20	7009357			Choke Lever and Swivel Assembly
21	7019892			Spring – Choke Valve
22	7019707			Screw – Wire Clamp
23	120619			Nut – Wire Clamp
24	7033443			Choke Valve
25	7007627			Screw – Choke Valve
26	7011270			Screw – Choke Lever Assembly
27	7024872			Bracket – Choke
	KIT ONLY			Dust Seal – Choke Shaft
	KIT ONLY			Dust Seal – Choke Shaft
	KIT ONLY			Retainer – Dust Seal
				FLOAT BOWL PARTS
28	7004597	7004597	7043600	Spring – Pump Return
29	7000286			Guide – Pump Discharge
30	7002118			Spring – Pump Discharge
31	7002117			Ball – Pump Discharge
32	–			Ball – Pump Inlet Check
33	–			Screen – Pump Inlet
34	7036586	7036586	7041650	Float Bowl Assembly
35	KIT ONLY			Gasket – Venturi Cluster
36	7037757	7037757	7044975	Venturi Cluster Assembly
37	7008502			Screw – Venturi Cluster – Outer
38	7009077			Screw – Venturi Cluster – Center
39	KIT ONLY			Gasket – Cluster Center Screw
40	120217			Lockwasher – Outer Screw
41	7008667	7008667	7008664	Jet – Standard
42	7037812	7037812	7043895	Power Valve Assembly
43	KIT ONLY			Gasket – Power Valve
44	7031752			Choke Rod
45	7005109			Clip – Choke Rod
46	7009395			Cam – Fast Idle
47	7003561			Screw – Cam Attaching
48	7002814			Plug – Lead Ball
				THROTTLE BODY PARTS
49	7015105			Screw – Throttle Body
50	121744			Lockwasher – Throttle Body Screw
51	7009396	7038800	7038800	Pump Rod
52	7005032	7018186	7018186	Clip – Pump Rod
53	225845			Cotter Pin – Pump Rod
54	7001619			Idle Stop Screw
55	7001690			Spring – Idle Stop Screw
56	7041621			Idle Needle
57	7011479			Spring – Idle Needle
58	7036587	7036587	7041651	Throttle Body Assembly
	7037140	7040912	7042574	Throttle Body and Governor Assembly
59	7015631			Throttle Lever and Bearing Assembly
60	KIT ONLY			Gasket – Throttle Lever to Body
61	7010448			Screw – Throttle Lever to Body
62	120217			Lockwasher – Throttle Lever Screw
63	7012604			Governor Housing Assembly
64	7009379			Diaphragm Assembly
65	7009384			Diaphragm Cover
66	7009424			Screw – Diaphragm Cover
67	121841			Lockwasher – Cover Screw
68	7010499			Spring – Governor
69	7009385			Post – Spring Attaching
70	KIT ONLY			Gasket – Governor to Throttle Body
71	7009388			Retainer – Shaft Seal
72	KIT ONLY			Seal – Throttle Shaft
73	7010448			Screw – Governor to Throttle Body
74	120217			Lockwasher – Governor Screw
75	7009389			Governor Lever and Pin Assembly
76	120622			Nut – Governor Lever Attaching
77	121841			Lockwasher – Lever Nut
78	7009394			Cover – Governor Housing
79	7009424			Screw – Housing Cover
80	121841			Lockwasher – Cover Screw
81	KIT ONLY			Gasket – Throttle Body
82	3880361	3880361	–	Flange Gasket (Non California)
–	–	3970050	–	Flange Gasket (California)
–	–	3973302	–	Insulator – Flange (California)
–	–	–	3998976	Insulator – Flange



Delco Carburetor

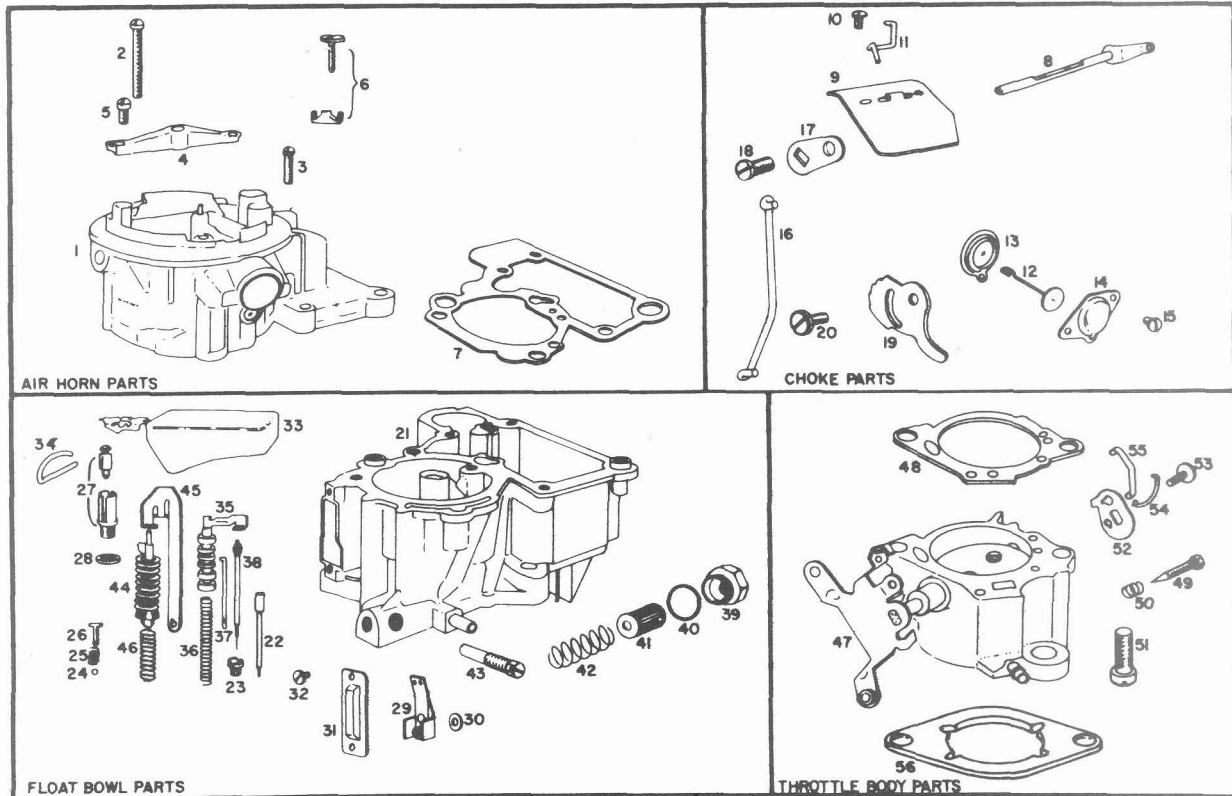
MODEL MV MONOJET

1970 CHEVROLET TRUCK

AUTOMATIC CHOKE

BULLETIN 9C-3018T
 DATE: NOVEMBER, 1971
 PAGE 1

PARTS SHOWN ARE FOR IDENTIFICATION ONLY. CONSULT PARTS LIST FOR CORRECT PART NAME AND NUMBER



PARTS IN ALL COLUMNS SAME EXCEPT WHERE INDICATED

	G-10		SERIES 20 & 30		APPLICATION
	250 CU. IN.	250 CU. IN.	250 CU. IN.	292 CU. IN.	
	7040007	7040025	7040026		CARBURETOR No.
	21-390	21-388	21-389		REPLACEMENT PACKAGE No.
	7036782	7036925	7036788		OVERHAUL KIT
	9166				POWER CARBURETOR KIT
	40-371				GASKET SET
Illus. No.	AIR HORN PARTS				
1	7038556	7038838	7038839		Air Horn Assembly
2	7038912				Screw - Air Horn - Long
3	7014698				Screw - Air Horn - Short
4	7037773				Bracket - Air Cleaner Stud
5	7038913				Screw - Bracket Attaching
6	7036348				Idle Vent Valve Kit
7	7037591				Gasket - Air Horn
	CHOKE PARTS				
8	7036973				Choke Shaft and Lever Assembly
9	7034012				Choke Valve
10	7020926				Screw - Choke Valve
11	7034013				Connector - Vacuum Break Link
12	7040646	7035877	7037827		Vacuum Break Link Assy.
13	7034017				Diaphragm - Vacuum Break
14	7034018				Cover - Vacuum Break
15	7020926				Screw - Cover
16	7037000				Choke Rod
17	-				Choke Lever
18	7019709				Screw - Choke Lever
19	7040633				Cam - Fast Idle
20	7003561				Screw - Cam Attaching

	7040007	7040025	7040026	CARBURETOR No.
Illus. No.	FLOAT BOWL PARTS			
21	7041341	7036836	7036837	Float Bowl Assembly
22	7033946	7033940	7033940	Idle Tube Assembly
23	7034205	7034206	7034228	Jet – Main Metering
24	7002117			Ball – Pump Discharge
25	7002118			Spring – Pump Discharge
26	7003838			Guide – Pump Discharge
27	30-133			Needle and Seat Assembly
28	KIT ONLY			Gasket – Needle Seat
29	7038840	--	--	Idle Compensator Assembly
30	KIT ONLY	--	--	Gasket – Idle Compensator
31	7037299			Bracket – Throttle Return Spring
32	7034030			Screw – Bracket
33	7037022			Float Assembly
34	7034032			Hinge Pin – Float
35	7037780	7037804	7037804	Power Piston Assembly
36	7012515	7012515	7023993	Spring – Power Piston
37	7035297			Rod – Power Piston
38	7040630	7040630	7037979	Metering Rod & Spring Assembly
39	7042357	7033500	7033500	Filter Nut – Fuel Inlet
40	7032508			Gasket – Filter Nut
41	GF-427			Filter – Fuel Inlet
42	7031539			Spring – Fuel Filter
43	7034034			Screw – Slow Idle
44	7037597			Pump Assembly
45	7042670			Lever – Pump Actuating
46	7008694			Spring – Pump Return
	THROTTLE BODY PARTS			
47	7040671	7037038	7037047	Throttle Body Assembly
48	KIT ONLY			Gasket – Throttle Body
49	7041612	7041612	7041864	Idle Needle
50	7011479			Spring – Idle Needle
51	7038875			Screw – Throttle Body
52	7038049			Lever – Pump and Power Rods
53	7010435			Screw – Lever Attaching
54	7035502			Link – Power Piston Rod
55	7037855	7037981	7037855	Link – Pump Lever
56	3953732			Gasket – Flange (Non California)
--	3967065			Gasket – Flange (California)
--	3967076			Insulator – Flange (California)

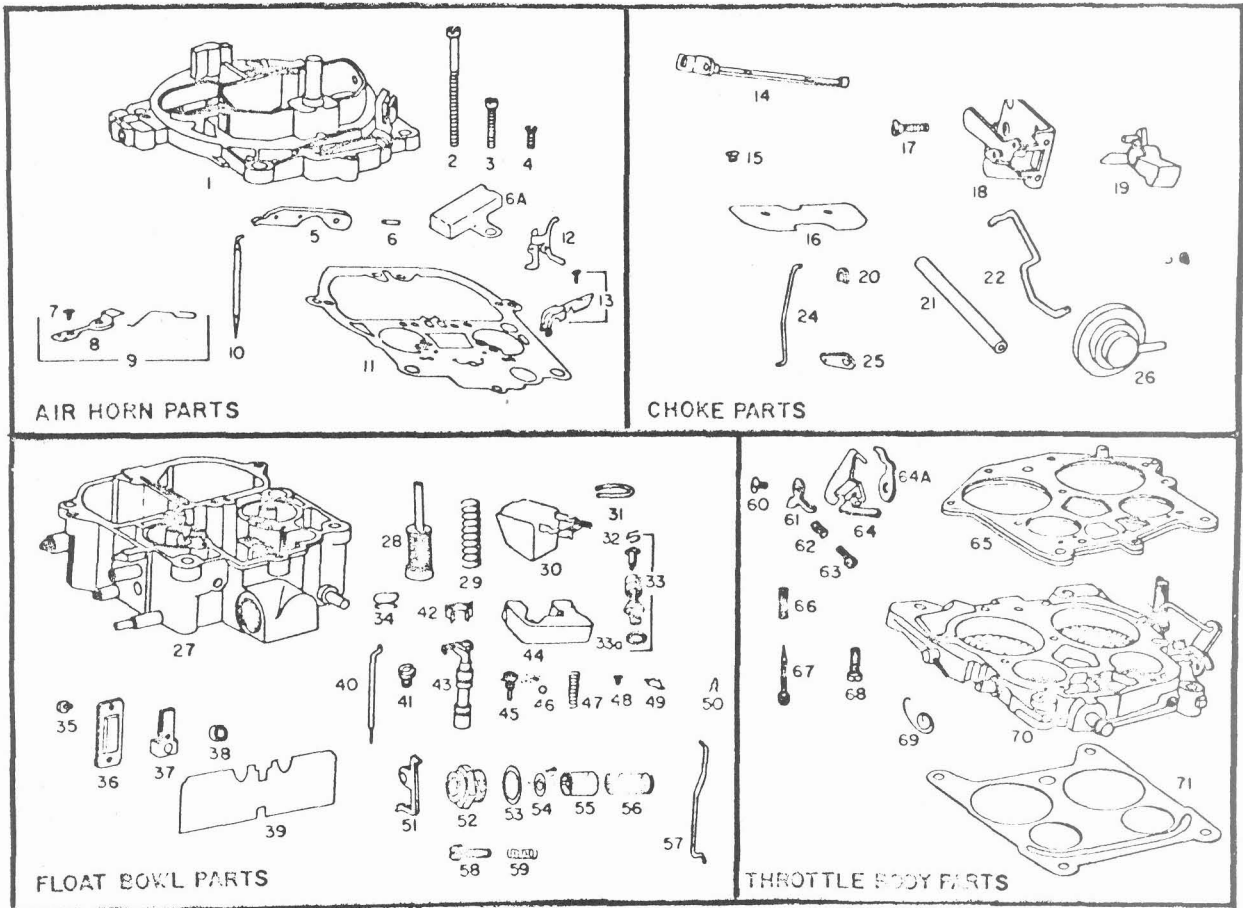


Delco Carburetor

MODEL 4 MV QUADRAJET 1970 CHEVROLET TRUCK

BULLETIN 9C-3019T
DATE: NOVEMBER, 1971
PAGE 1

PARTS SHOWN ARE FOR IDENTIFICATION ONLY. CONSULT PARTS LIST FOR CORRECT PART NAME AND NUMBER



PARTS IN ALL COLUMNS SAME - EXCEPT WHERE INDICATED

Illus. No.	NON CALIFORNIA		CALIFORNIA		APPLICATION
	396 CU. IN.	350 CU. IN.	396 CU. IN.	350 CU. IN.	
	7040206	7040208	7040509	7040511	CARBURETOR No.
	24-391	24-390	24-392	24-393	REPLACEMENT PACKAGE No.
	7036944	7036945	7036960	7036943	OVERHAUL KIT
	9171	9174	9171	9174	POWER CARBURETOR KIT
	40-375				GASKET SET
			AIR HORN PARTS		
1	7040625	7040626	7038702	7038704	Air Horn Assembly
2	7029912				Screw - Air Horn
3	7014599				Screw - Air Horn
4	7031105				Screw - Air Horn
5	7021639				Lever - Pump Actuating
6	9428787				Roll Pin - Pump and Lockout Levers
6A	-				Shield - Idle Vent
7	-				Screw - Idle Vent Valve
8	-				Valve - Idle Vent
9	-				Idle Vent Valve Kit
10	7034822	7034337	7034822	7034337	Metering Rod - Secondary
11	KIT ONLY				Gasket - Air Horn
12	-				Lockout Lever - Air Valve
13	7034522				Secondary Metering Rod Holder Kit
-	7035344				Air Valve Spring and Cam Kit

	7040206	7040208	7040509	7040511	CARBURETOR No.
Illus. No.	CHOKE PARTS				
14	7038855				Choke Shaft and Lever Assembly
15	7029866				Screw -- Choke Valve
16	7036021				Choke Valve
17	7031925				Screw -- Vacuum Break Control
18	7043674				Vacuum Break Control Bracket Assembly
19	7040800				Cam -- Fast Idle
20	7005109				Clip -- Choke Rod
21	7026339				Hose -- Vacuum
22	7029075				Rod -- Vacuum Break
23	7005109				Clip -- Vacuum Break Rod
24	7037557				Rod -- Choke
25	7031231				Lever -- Intermediate Choke
26	7043676				Vacuum Break Control Assembly
	FLOAT BOWL PARTS				
27	7036844	7036845	7041351	7036839	Float Bowl Assembly
28	7037327	7037337	7037327	7037337	Pump Assembly
29	7037314				Spring -- Pump Return
30	7037316				Float Assembly
31	7037317				Hinge Pin -- Float
32	7033751				Pull Clip -- Float Needle
33	30-140	30-130	30-140	30-130	Needle and Seat Assembly
33A	KIT ONLY				Gasket -- Needle Seat
34	7029862				Spring -- Metering Rod -- Primary
35	--				Screw -- Cover Attaching
36	--				Cover -- Idle Compensator
37	--				Idle Compensator Assembly
38	--				Gasket -- Idle Compensator
39	7031365				Baffle Plate -- Float Bowl
40	7034842	7034839	7034849	7034844	Metering Rod -- Primary
41	7031975	7031975	7031978	7031976	Metering Jet -- Primary
42	7034339				Retainer -- Power Piston
43	7034903				Power Piston Assembly
44	7037319				Insert -- Float Bowl
45	7029849				Retainer -- Pump Discharge Ball
46	7002117				Ball -- Pump Discharge
47	7036019				Spring -- Power Piston
48	--				Screw -- Diaphragm Retainer
49	--				Retainer -- Float Needle Diaphragm
50	--				Clip -- Pump Rod
51	7027270				Lockout Lever -- Secondary
52	7040955				Filter Nut -- Fuel Inlet (See Note)
53	7032508				Gasket -- Inlet Nut
54	--				Gasket -- Filter
55	GF-427				Filter -- Fuel Inlet
56	7034356				Spring -- Inlet Filter
57	7026138				Rod -- Pump
58	7002121				Screw -- Idle Stop
59	7003176				Spring -- Idle Stop Screw
	THROTTLE BODY PARTS				
60	7035523				Screw -- Cam and Fast Idle Levers Attaching
61	7035806				Lever -- Fast Idle
62	7029900				Spring -- Fast Idle Screw
63	7029899				Screw -- Fast Idle Adjusting
64	7035409				Lever -- Cam Follower
64A	7040805				Lever -- Wide Open Kick
65	KIT ONLY				Gasket -- Throttle Body
66	7011479				Spring -- Idle Needle
67	7041621				Needle -- Idle Adjusting
68	7035790				Screw -- Throttle Body
69	7035772				Spring -- Cam Follower Lever
70	7036918	7036919	7036949	7036950	Throttle Body Assembly
71	3967470	3967470	3972192	3972192	Gasket -- Flange
--	--	--	3972190	3972190	Insulator -- Flange

NOTE: For stripped threads, replace with 7041634 adaptor kit.

ACCESSORIES	
7036965	Vapor Canister (Calif.)
7021739	Canister Filter Assembly
7026014	Filter Element