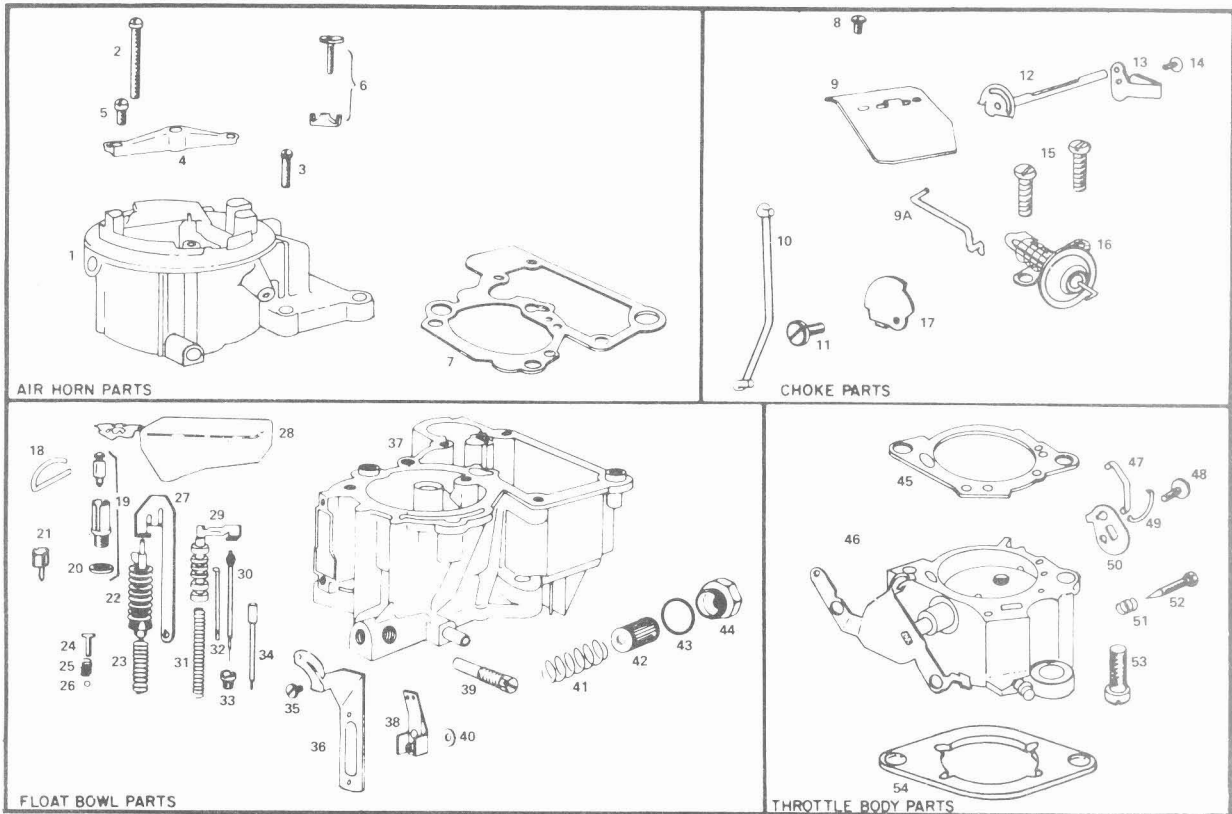




Delco Carburetor

**MODEL 1 MV MONOJET
1974-76 CHEVROLET, GM TRUCK,
HEAVY DUTY 292 CUBIC INCH ENGINE (6 CYL.)**

**BULLETIN: 9C-3093-T
DATE: SEPTEMBER 1979
PAGE 1
Replaces 9C-3093-T
Dated November 1977**



PARTS SHOWN ARE FOR IDENTIFICATION ONLY. CONSULT PARTS LIST FOR CORRECT PART NAME AND NUMBER

PARTS IN ALL COLUMNS SAME — EXCEPT WHERE INDICATED

	1974-76 292-CU. IN. H.D. 6-CYL. M/T & A/T	APPLICATION
	17055483	CARBURETOR No.
	21-3148	REPLACEMENT PACKAGE No.
	17055518	OVERHAUL KIT
	9334	POWER CARBURETOR KIT
	40-447	GASKET SET
Ilus. No.	AIR HORN PARTS	
1	17053386	Air Horn Assembly
2	7043089	Screw—Air Horn (Long)
3	7030917	Screw—Air Horn (Short)
4	17050843	Bracket—Air Cleaner Stud
5	7042813	Screw—Bracket Attaching
	7043088	Screw—Air Horn
7	7035166	Gasket—Air Horn
	KIT ONLY	*Gasket—Air Cleaner
	CHOKE PARTS	
8	7020926	Screw—Choke Valve
9	7049918	Valve—Choke
9A	7035207	Link—Vacuum Break
10	7037000	Rod—Choke
11	7003561	Screw—Cam Attaching
12	7028175	Choke Shaft and Lever
13	7030719	Lever—Choke
14	7019709	Screw—Choke Lever
—	NONE	Choke Lever & Link Assy.
16	17050374	Vacuum Break Control Assembly
17	7048772	Cam—Fast Idle
	7026339	Hose—Vacuum Break

	17055483	CARBURETOR No.
Illus. No.	FLOAT BOWL PARTS	
18	7034032	Hinge Pin—Float
19	7035156	Needle and Seat Assembly
20	KIT ONLY	Gasket—Needle Seat
21	NONE	Power Valve
22	7037597	Pump Assembly
23	7041176	Spring—Pump Return
24	7003838	Guide—Pump Discharge
25	7002118	Spring—Pump Discharge
26	7002117	Ball—Pump Discharge
27	17056474	Lever—Pump Actuating
28	7037022	Float Assembly
29	7035295	Power Piston Assembly
30	17056612	Metering Rod & Spring Assembly
31	7012515	Spring—Power Piston
32	17054016	Rod—Power Piston Kit
33	7034222	Jet—Main Metering (Standard)
33		Jet—Main Metering (Altitude)
34	17052339	Idle Tube Assembly
35	NONE	Screw—Cover
36	NONE	Cover—Idle Compensator
37	N.S.S.	Float Bowl Assembly
38	NONE	Idle Compensator Assembly
39	NONE	Spring—Solenoid Retaining
40	NONE	Gasket—Idle Compensator
41	7032732	Spring—Fuel Filter
42	GF-427	Filter—Fuel Inlet
43	7032508	Gasket—Filter Nut
44	7038946	Filter Nut—Fuel Inlet
—	NONE	Solenoid (C.E.C.) (See Note)
—	NONE	Bracket Assembly—Solenoid
—	NONE	Nut—Solenoid Retaining
—	17050024	Screw—Bracket Retaining
—	7041287	Screw—Bracket Retaining
—	17050025	Bracket—Thr. Return
—	7043575	Solenoid—Idle Stop
	THROTTLE BODY PARTS	
45	KIT ONLY	Gasket—Throttle Body
46	N.S.S.	Throttle Body Assembly
47	7037855	Link—Pump Lever
48	7010435	Screw—Lever Attaching
—	—	Screw—Fast Idle
—	—	Spring—Fast Idle Screw
—	—	Limiter Cap—Idle Needle
49	17054016	Link—Power Piston Rod
50	17054016	Lever—Pump and Power Rod
51	7038989	Spring—Idle Needle
52	7048964	Idle Needle
53	7043087	Screw—Throttle Body
54	333977	Gasket—Flange (Non California)
—	333977	Gasket—Flange (California)
—	—	Insulator—Flange

NOTE: Available Through
Delco-Remy

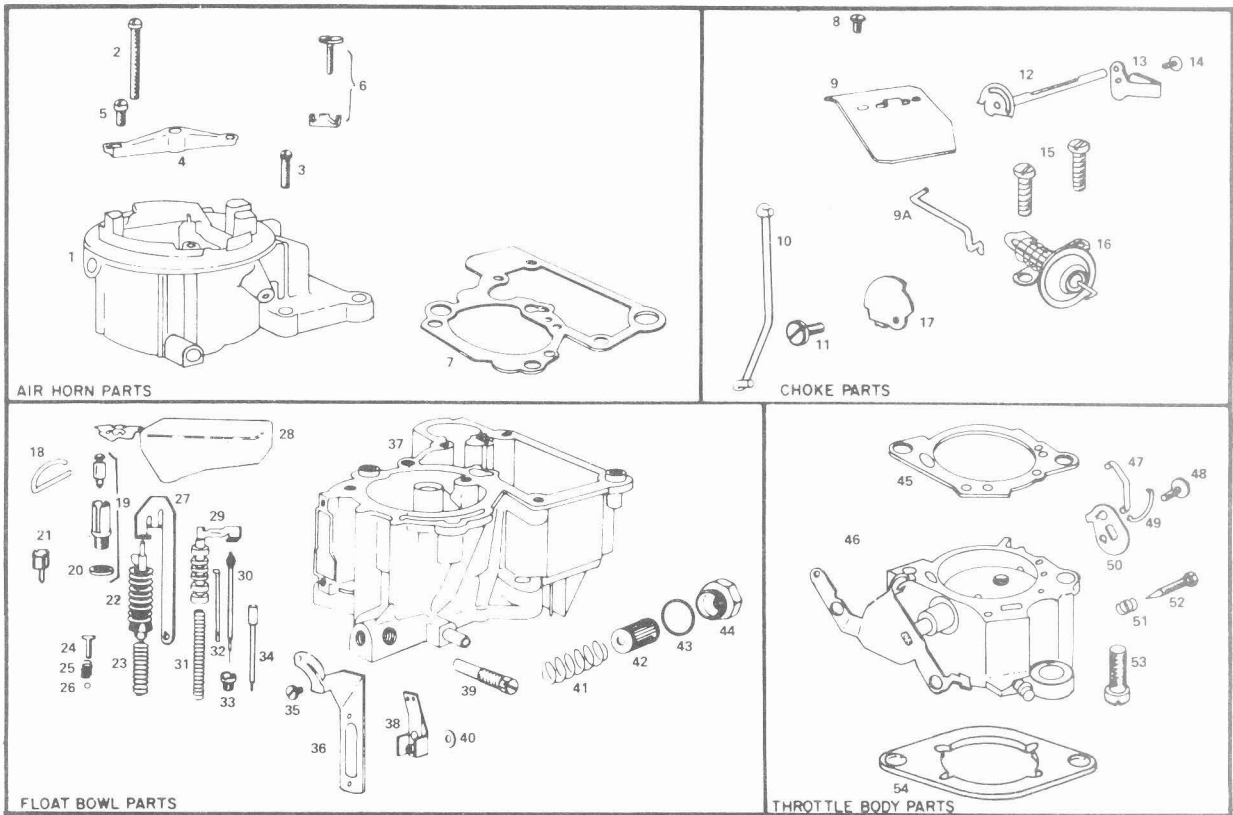
N.S.S. = Not Serviced Separately



Delco Carburetor

MODEL 1 MV MONOJET
1974-76 CHEVROLET, GM TRUCK,
HEAVY DUTY 292 CUBIC INCH ENGINE (6 CYL.)

BULLETIN: 9C-3093-T
DATE: SEPTEMBER 1979
PAGE 1
Replaces 9C-3093-T
Dated November 1977



PARTS SHOWN ARE FOR IDENTIFICATION ONLY. CONSULT PARTS LIST FOR CORRECT PART NAME AND NUMBER

PARTS IN ALL COLUMNS SAME — EXCEPT WHERE INDICATED

	1974-76 292-CU. IN. H.D. 6-CYL. M/T & A/T	APPLICATION
	17055483	CARBURETOR No.
	21-3148	REPLACEMENT PACKAGE No.
	17055518	OVERHAUL KIT
	9334	POWER CARBURETOR KIT
	40-447	GASKET SET
Ilus. No.	AIR HORN PARTS	
1	17053386	Air Horn Assembly
2	7043089	Screw—Air Horn (Long)
3	7030917	Screw—Air Horn (Short)
4	17050843	Bracket—Air Cleaner Stud
5	7042813	Screw—Bracket Attaching
	7043088	Screw—Air Horn
7	7035166	Gasket—Air Horn
	KIT ONLY	*Gasket—Air Cleaner
	CHOKE PARTS	
8	7020926	Screw—Choke Valve
9	7049918	Valve—Choke
9A	7035207	Link—Vacuum Break
10	7037000	Rod—Choke
11	7003561	Screw—Cam Attaching
12	7028175	Choke Shaft and Lever
13	7030719	Lever—Choke
14	7019709	Screw—Choke Lever
—	NONE	Choke Lever & Link Assy.
16	17050374	Vacuum Break Control Assembly
17	7048772	Cam—Fast Idle
	7026339	Hose—Vacuum Break

	17055483	CARBURETOR No.
Illus. No.	FLOAT BOWL PARTS	
18	7034032	Hinge Pin—Float
19	7035156	Needle and Seat Assembly
20	KIT ONLY	Gasket—Needle Seat
21	NONE	Power Valve
22	7037597	Pump Assembly
23	7041176	Spring—Pump Return
24	7003838	Guide—Pump Discharge
25	7002118	Spring—Pump Discharge
26	7002117	Ball—Pump Discharge
27	17056474	Lever—Pump Actuating
28	7037022	Float Assembly
29	7035295	Power Piston Assembly
30	17056612	Metering Rod & Spring Assembly
31	7012515	Spring—Power Piston
32	17054016	Rod—Power Piston Kit
33	7034222	Jet—Main Metering (Standard)
33		Jet—Main Metering (Altitude)
34	17052339	Idle Tube Assembly
35	NONE	Screw—Cover
36	NONE	Cover—Idle Compensator
37	N.S.S.	Float Bowl Assembly
38	NONE	Idle Compensator Assembly
39	NONE	Spring—Solenoid Retaining
40	NONE	Gasket—Idle Compensator
41	7032732	Spring—Fuel Filter
42	GF-427	Filter—Fuel Inlet
43	7032508	Gasket—Filter Nut
44	7038946	Filter Nut—Fuel Inlet
—	NONE	Solenoid (C.E.C.) (See Note)
—	NONE	Bracket Assembly—Solenoid
—	NONE	Nut—Solenoid Retaining
—	17050024	Screw—Bracket Retaining
—	7041287	Screw—Bracket Retaining
—	17050025	Bracket—Thr. Return
—	7043575	Solenoid—Idle Stop
	THROTTLE BODY PARTS	
45	KIT ONLY	Gasket—Throttle Body
46	N.S.S.	Throttle Body Assembly
47	7037855	Link—Pump Lever
48	7010435	Screw—Lever Attaching
—	—	Screw—Fast Idle
—	—	Spring—Fast Idle Screw
—	—	Limiting Cap—Idle Needle
49	17054016	Link—Power Piston Rod
50	17054016	Lever—Pump and Power Rod
51	7038989	Spring—Idle Needle
52	7048964	Idle Needle
53	7043087	Screw—Throttle Body
54	333977	Gasket—Flange (Non California)
—	333977	Gasket—Flange (California)
—	—	Insulator—Flange

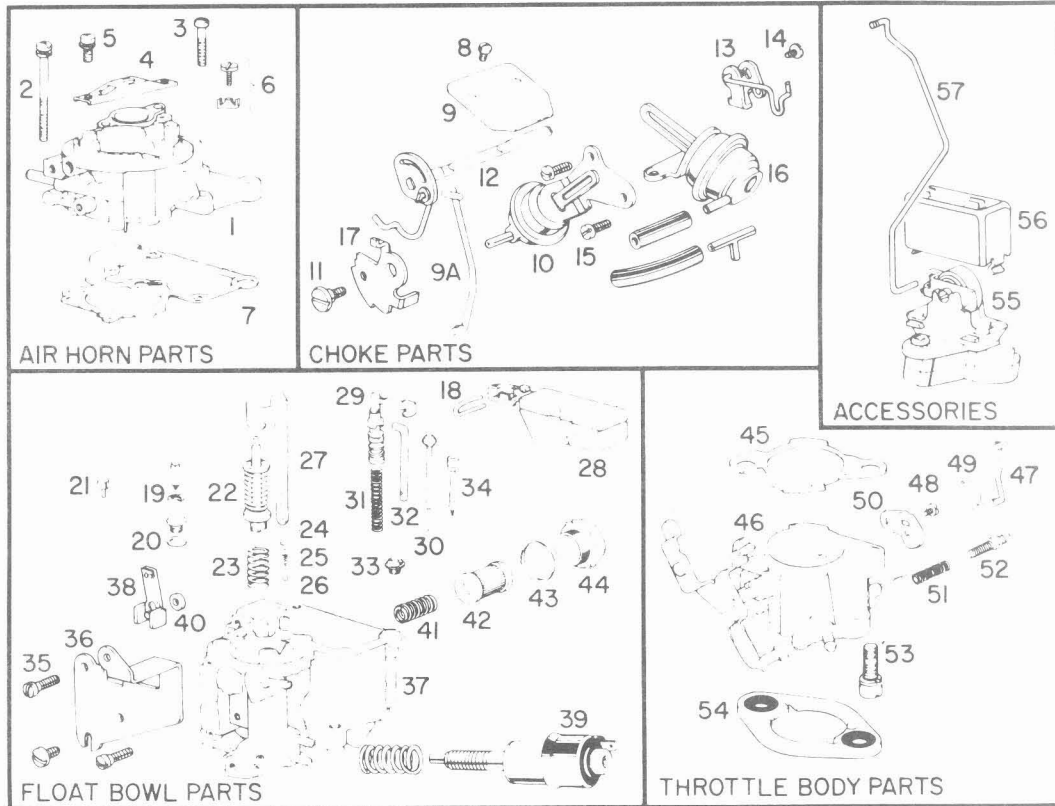
NOTE: Available Through
Delco-Remy
N.S.S. = Not Serviced Separately



Delco Carburetor

MODEL 1MV MONOJET
1975-76 CHEVROLET AND GMC TRUCK
(SERVICE CARBURETORS)
140-250 CUBIC INCH ENGINE (4-6 CYL.)

BULLETIN: 9C-3094-T
DATE: SEPTEMBER 1979
PAGE: 1
Replaces 9C-3094-T
Dated November 1977



PARTS SHOWN ARE FOR IDENTIFICATION ONLY. CONSULT PARTS LIST FOR CORRECT PART NAME AND NUMBER

PARTS IN ALL COLUMNS SAME — EXCEPT WHERE INDICATED

	1975 250-CU. IN. M/T & A/T	1975-76 250-CU. IN. M/T & A/T	1975-76 250-CU. IN. M/T & A/T	APPLICATION
	17054304	17054308	17055553	CARBURETOR No.
	21-3092	21-3111	21-3149	REPLACEMENT PACKAGE No.
	17052656	17052898	17052898	OVERHAUL KIT
	9248	9296	9296	POWER CARBURETOR KIT
	40-412	40-447	40-447	GASKET SET
Illus. No.	AIR HORN PARTS			
1	17051471	17051471	17051471	Air Horn Assembly
2	7043089			Screw—Air Horn (Long)
3	7030917			Screw—Air Horn (Short)
4	7043588	7043588	7043588	Bracket—Air Cleaner Stud
5	7042813			Screw—Bracket Attaching
—	—	—	—	Screw—Air Horn
7	7035166	7035166	7035166	Gasket—Air Horn
	CHOKE PARTS			
8	7020926			Screw—Choke Valve
9	17052251	17052251	17052251	Valve—Choke
9A	7043131	7043131	7043131	Rod—Choke
10	7043127	7043127	7043127	Vac. Break Controls Thr. Side
	7026339			Hose—Vacuum Break
	—			*Gasket—Air Cleaner

	17054304	17054308	17055553	CARBURETOR No.
	CHOKE PARTS (Continued)			
11	7003561			Screw—Cam Attaching
12	7049980	7049980	7049980	Choke Shaft Lever & Link Assy.
13	17051769	17051769	17051769	Choke Lever & Link Assy.
14	7019709			Screw—Choke Lever
15	7043095			Screw—Vacuum Break Bracket
16	17052250	17052250	17060445	Vac. Brk. Control Assem. Bowl Side.
—	—	—	—	Cam & Link Assembly
17	17052358	17052358	17052358	Cam—Fast Idle
	FLOAT BOWL PARTS			
18	7034032			Hinge Pin—Float
19	7035133	7035133	7035133	Needle and Seat Assembly
20	KIT ONLY			Gasket—Needle Seat
21	NONE	NONE	NONE	Power Valve
22	7037595	7037595	7037595	Pump Assembly
23	7041176	7041176	7041176	Spring—Pump Return
24	7003838			Guide—Pump Discharge
25	7002118			Spring—Pump Discharge
26	7002117			Ball—Pump Discharge
27	17056474			Lever—Pump Actuating
28	7037022			Float Assembly
29	7037780	7035295	7035295	Power Piston Assembly
30	7042534	7043775	7044791	Metering Rod & Spring Assembly
31	7012515	7036280	7036280	Spring—Power Piston
32	17054016	17054016	17054016	Rod—Power Piston Kit
33	7034202	7034205	7034205	Jet—Main Metering
34	17052347	17052339	17052339	Idle Tube Assembly
35	7041287	7041287	7041287	Screw—Bracket (2)
36	17050025	17050025	17050025	Cover—Idle Compensator
—	—	—	—	Spring—Solenoid Retaining
37	N.S.S.	17050697	N.S.S.	Float Bowl Assembly
38	17060388	17060388	17060388	Idle Compensator Assembly
39	NONE	7043575	7043575	Solenoid—Idle Stop
40	7027970			Gasket—Idle Compensator
41	7032732			Spring—Fuel Filter
42	GF-427	GF-470	GF-470	Filter—Fuel Inlet
43	7032508			Gasket—Filter Nut
44	7038946			Filter Nut—Fuel Inlet
—	17050024	17050024	17050024	Screw—Throttle Brkt. (1)
	THROTTLE BODY PARTS			
45	KIT ONLY			Gasket—Throttle Body
46	17052058	17053598	17053598	Throttle Body Assembly
47	7035267	7035267	7035267	Link—Pump Lever
48	7010435			Screw—Lever Attaching
49	17054016	17054016	17054016	Link—Power Piston Rod Kit
50	17054016	17054016	17054016	Lever—Pump & Power Rods Kit
51	7038989			Spring—Idle Needle
52	7048964	7048964	7048964	Idle Needle
53	7043087			Screw—Throttle Body
54	—	—	—	Insulator—Flange
—	—	—	—	Screw—Fast Idle
—	—	—	—	Spring—Fast Idle Screw
—	333977	333977	333977	Gasket—Flange

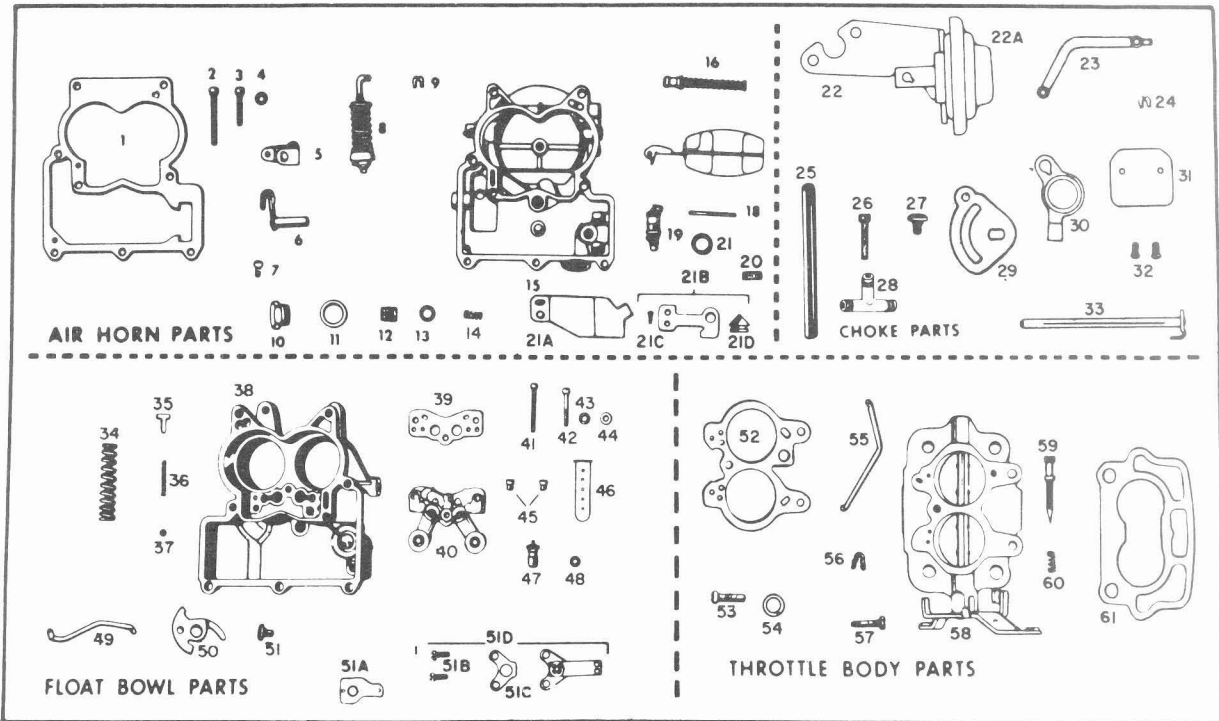
N.S.S. = Not Serviced Separately



Delco Carburetor

MODEL 2G — 2GV CARBURETORS
1968-74 CHEVROLET & GM TRUCK "1¼"
(SERVICE CARBURETORS)
307 & 350 CUBIC INCH ENGINE

BULLETIN: 9C-3095-T
DATE: SEPTEMBER 1979
PAGE: 1
Replaces 9C-3095T
Dated November 1977



PARTS SHOWN ARE FOR IDENTIFICATION ONLY. CONSULT PARTS LIST FOR CORRECT PART NAME AND NUMBER

PARTS IN ALL COLUMNS SAME — EXCEPT WHERE INDICATED

	1972 307 CU. IN. 2GV AUTO TRANS	1968 307 CU. IN. 2G	1974 350 CU. IN. 2GV M/T & A/T	1968-69 307 CU. IN. 2G M/T & A/T	1971 307 CU. IN. 2GV M/T & A/T	1969-71 307 CU. IN. 2GV M/T & A/T	APPLICATION
	17054654	17054656	17054657	17054658	17055000	17057357	CARBURETOR No.
	22-3103	22-3105	22-3106	22-3107	22-3114	22-3176	REPLACEMENT PKG. No.
	7041905	7015926	7015926	7036796	7041605	17050518	OVERHAUL KIT
	9224	9009	9009	9167	9197	9267	POWER CARBURETOR KIT
	40-398	40-240	40-240	40-372	40-388	40-425	GASKET SET
	AIR HORN PARTS						
1	7038522	7008600	7008600	7038522	7038522	7045671	Gasket—Air Horn
2	7010432					7010432	Screw—Air Horn (Long)
3	7006119					7006119	Screw—Air Horn (Short)
4	—					—	Lockwasher—Air Horn Screws
5	7032377					7032377	Lever—Pump Inside
6	17057319	7006975	7006975	17057319	17057319	17057301	Pump Shaft & Lever Assembly
7	7011270					7011270	Screw—Pump Lever
—	7019568	NONE	NONE	7019568	7019568	7019568	Washer—Pump Lever
8	7045908	7031824	7031824	7042819	7042819	7046028	Pump Assembly
—	—	—	—	—	137422	—	Elbow—Fuel Inlet
9	—	7005032	—	—	—	7005032	Clip—Pump
10	7040952	7040952	7040952	7044786	7040953	7040955	Nut—Fuel Filter
11	7032508					7032508	Gasket—Fuel Filter
12	7013404					GF-427	Filter—Fuel Inlet
13	7013584					—	Gasket—Fuel Filter
14	7034356					7034356	Spring—Fuel Filter
15	7041600	NSS	NSS	7036790	7041600	7046712	Air Horn Assembly

	17054654	17054656	17054657	17054658	17055000	17057357	CARBURETOR No.
Illus. No.	AIR HORN PARTS (Continued)						
16	7006323	7006323	7006323	7006323	7006011	7006323	Power Piston Assembly
17	7037512	7012974	7012974	7037512	7037519	7037512	Float Assembly
18	7002081					7002081	Pin—Float Hinge
19	7023809					7035132	Needle and Seat Assembly
20	—					—	Strainer—Needle Seat
21	KIT ONLY					KIT ONLY	Gasket—Needle Seat
21A	—	7012835	—	—	—	—	Shield—Idle Vent
21B	—	7012252	—	—	—	—	Idle Vent Valve Kit
21C	—	7012548	—	—	—	—	Valve & Shield
21D	—	7029993	—	—	—	—	Valve—Idle Vent
—	—	7006474	7006474	—	—	—	Pull Clip & Float Needle
	CHOKE PARTS						
22	7042715	NONE	NONE	7026278	7042715	7040238	Vacuum Break Con. & Brkt. Assy.
22A	NONE	NONE	NONE	7040849	NONE	NONE	Vacuum Break Control Assembly
23	7040239	NONE	NONE	7037770	7040239	7040239	Link—Vac. Break
—	NONE	7006812	7006812	NONE	NONE	NONE	Bracket—Choke
25	7026339	NONE	NONE	7026339	7026339	—	Hose—Vacuum
26	7011270					7037570	Screw—Vacuum Control Attaching
27	7019709	NONE	NONE	7019709	7019709	7019709	Screw—Stat Rod Lever
—	—	120619	120619	—	—	—	Nut—Wire Clamp
—	—	7019707	7019707	—	—	—	Screw—Wire Clamp
—	—	7019892	7019892	—	—	—	Spring—Choke Valve
—	—	838884	838884	—	—	—	Retainer Choke Valve
—	NONE	7006803	7006803	NONE	NONE	NONE	Choke Lever & Swivel Assy.
29	7040002	NONE	NONE	7038612	7028164	7040002	Lever—Stat Rod
30	7026239	NONE	NONE	7026239	7026239	7026239	Lever—Choke
31	7025955					7033443	Valve—Choke
32	7007627					7007627	Screw—Choke Valve
33	NSS	7006806	7006806	7024464	7024464	7047797	Choke Shaft Assembly
	FLOAT BOWL PARTS						
34	7043600	7004597	7004597	7043600	7043600	7041141	Spring—Pump Return
35	KIT ONLY					KIT ONLY	Guide—Pump Discharge
36	7002118					7002118	Spring—Pump Discharge
37	7002117					7002117	Ball—Pump Discharge
38	7041902	NSS	NSS	NSS	NSS	17050638	Float Bowl Assembly
39	KIT ONLY	7019534	KIT ONLY	KIT ONLY	KIT ONLY	KIT ONLY	Gasket—Venturi Cluster
40	7042627	NSS	NSS	NSS	7042627	7047828	Venturi Cluster Assembly
41	7000293					7045762	Screw—Venturi Cluster—Outer
42	7000294					7009077	Plug—Lead Ball
—	—	7002814	—	—	—	—	Lockwasher—Outer Screws
44	KIT ONLY	7000295	7000295	KIT ONLY	KIT ONLY	KIT ONLY	Gasket—Center Screw
45	7002649	7002655	7002655	7002651	7002650	7002650	Jet—Standard
46	7021528					7040320	Insert—Main Well
47	7010918					7011989	Power Valve Assembly
48	KIT ONLY					KIT ONLY	Gasket—Power Valve
49	7030521	7025667	7025667	7026559	7026559	7043370	Rod—Choke
50	7037947	7006810	7006810	7035923	7026140	17050019	Cam—Fast Idle
51	7003561					7036222	Screw—Cam Attaching
51A	—	—	—	NSS	NSS	—	Cover—Idle Compensator
51B	—	—	—	7015127	7015125	—	Screw—Idle Compensator
51C	—	—	—	KIT ONLY	—	—	Gasket—Idle Compensator
51D	—	—	—	7036805	7036805	—	Idle Compensator Kit
—	1114450	NONE	NONE	NONE	1114444	1997409	Solenoid—Idle Stop
—	7042818	NONE	NONE	NONE	7042811	7042818	Bracket Assy. Solenoid
—	7042654	NONE	NONE	NONE	7042654	7042654	Nut—Solenoid
—	7042653	NONE	NONE	NONE	7042653	7002120	Locking Washer—Solenoid
—	7043682	NONE	NONE	NONE	7043682	7043682	Screw—Bracket Attaching
	THROTTLE BODY PARTS						
52	KIT ONLY					KIT ONLY	Gasket—Throttle Body
53	7015105					7015105	Screw—Throttle Body
54	—					—	Lockwasher—Throttle Body Screws
55	7038799	7019464	7019464	—	7038802	7041249	Pump Rod
56	7018186	7005032	7005032	7018186	7018186	7018186	Clip—Pump Rod
57	7029427	NONE	NONE	7029427	7029427	7029427	Idle Stop Screw
—	7029428	NONE	NONE	7029428	7029428	7037131	Spring—Idle Stop Screw
58	NSS	NSS	NSS	NSS	NSS	NSS	Throttle Body Assembly
58	—					—	—
59	7048860	7048858	7048858	7048530	7048860	7048860	Idle Adjusting Needle
60	7011479					7011479	Spring—Idle Needle
61	—	3704952	3704952	3704952	—	—	Gasket—Flange (Non California)
—	—	—	—	3970040	—	—	Gasket—Flange (California)
—	6262904	—	NONE	3973300	3998975	6271058	Insulator Finage (California)

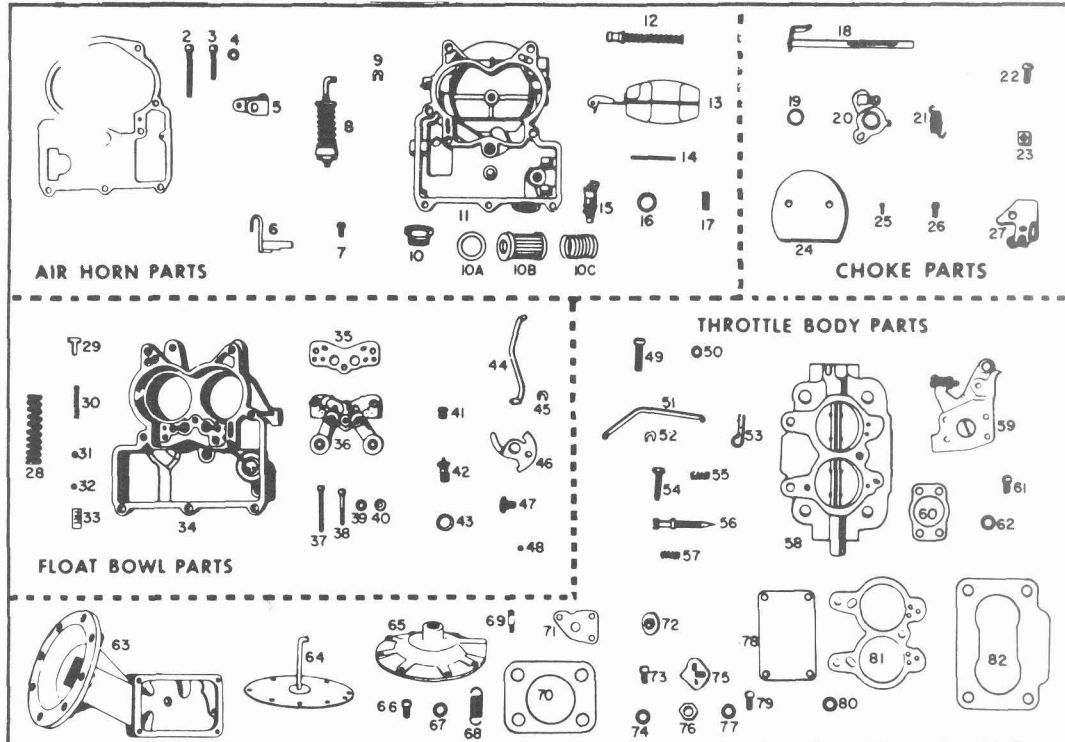
NSS — NOT SERVICED SEPARATELY
Solenoid Available thru Delco-Remy



Delco Carburetor

**MODEL 2G CARBURETORS
1969-78 CHEVROLET & GMC
TRUCKS
(SERVICE CARBURETORS)
350 CUBIC INCH ENGINE V-8**

**BULLETIN: 9C-3096-T
DATE: SEPTEMBER 1979
PAGE 1
Replaces 9C-3096-T
Dated November 1977**



PARTS SHOWN ARE FOR IDENTIFICATION ONLY. CONSULT PARTS LIST FOR CORRECT PART NAME AND NUMBER

PARTS IN ALL COLUMNS SAME — EXCEPT WHERE INDICATED

	1971-72	1973-78	1971-73	1969-70	YEAR
	17054660	17057353	17054659	17057361	CARBURETOR No.
	22-3109	22-3173	22-3108	22-3178	REPLACEMENT PACKAGE No.
	N.S.S.	17053997	7046741	7036809	OVERHAUL KIT
	9200	9306	9254	9170	POWER CARBURETOR KIT
	40-391	40-418	40-417	40-374	GASKET SET
Illus. No.	AIR HORN PARTS				
1	7038523			7038523	Gasket—Air Horn
2	7010432			7010432	Screw—Air Horn (Long)
3	7006119			7006119	Screw—Air Horn (Short)
4	—	7014699	—	—	Screw—Air Horn (2)
5	7032377	7032377	7043570	7032377	Lever—Pump Inside
6	17057319	7040053	17057319	17057319	Pump Shaft and Lever Assembly
7	7011270			7011270	Screw—Pump Lever
	7019568			7019568	Washer—Pump Lever
8	7036282	7046028	7046028	7036282	Pump Assembly
9	—			7005032	Clip—Pump Plunger
10	7040955	17051765	7040955	7040955	Filter Nut—Fuel Inlet
10A	7032508			7032508	Gasket—Filter Nut
10B	GF-427			GF-427	Filter—Fuel Inlet
10C	7034356	7030459	7034356	7034356	Spring—Fuel Filter
11	7046530	7046735	7046735	7036806	Air Horn Assembly
12	7045898			7037811	Power Piston Assembly
13	7037512			7037512	Float Assembly
14	7010037			7010037	Pin Float Hinge
15	7023813			7023813	Needle and Seat Assembly
16	KIT ONLY			KIT ONLY	Gasket—Needle Seat
17	—				Strainer—Needle Seat
	7037718	NONE	NONE	7037718	Shield—Idle Vent
	7036556	NONE	NONE	7036556	Idle Vent Valve Kit
	7012548	NONE	NONE	N.S.S.	Screw—Idle Vent
	7029993	NONE	NONE	7029993	Valve—Idle Vent

	17054660	17057353	17054659	17057361	CARBURETOR No.
			CHOKE PARTS		
18	7038136			7038136	Choke Shaft Assembly
19	838884			838884	Retainer—Choke Lever
20	7009357	7037078	7006803	7009357	Choke Lever and Swivel Assembly
21	7019892			7019892	Spring—Choke Valve
22	7019707			7019707	Screw—Wire Clamp
23	—	—	120619	120619	Nut—Wire Clamp
24	7033443			7033443	Valve—Choke
25	7007627			7007627	Screw—Choke Valve
26	7011270			7011270	Screw—Choke Lever Assembly
27	7024872			7024872	Bracket—Choke
	KIT ONLY	KIT ONLY	NONE	KIT ONLY	Dust Seal—Choke Shaft
	—	—	—	KIT ONLY	Dust Seal—Choke Shaft
	KIT ONLY	NONE	NONE	KIT ONLY	Retainer—Dust Seal
			FLOAT BOWL PARTS		
28	7043600	7041141	7043600	7043600	Spring—Pump Return
29	KIT ONLY			KIT ONLY	Guide—Pump Discharge
30	7002118			7002118	Spring—Pump Discharge
31	7002117			7002117	Ball—Pump Discharge
32	—			—	Ball—Pump Inlet Check
33	—			—	Screen—Pump Inlet
34	17065222	17055946	N.S.S.	N.S.S.	Float Bowl Assembly
35	KIT ONLY			KIT ONLY	Gasket—Venturi Cluster
36	7045896	17060935	7045895	N.S.S.	Venturi Cluster Assembly
37	7045762			7045762	Screw—Venturi Cluster—Outer
38	7009077			7009077	Screw—Venturi Cluster—Center
39	KIT ONLY			KIT ONLY	Gasket—Cluster Center Screw
40	—			—	Lockwasher—Outer Screw
41	7008662	7008661	7008662	7008662	Jet—Standard
42	7017950	7022777	7022777	7037812	Power Valve Assembly
43	KIT ONLY			KIT ONLY	Gasket—Power Valve
44	7031752	7040078	7010055	7031752	Rod—Choke
45	7005109	NONE	NONE	7005109	Clip—Choke Rod
46	7009395	7040077	7006810	N.S.S.	Cam—Fast Idle
47	7003561			7003561	Screw—Cam Attaching
48	—			—	Plug—Lead Ball
			THROTTLE BODY PARTS		
49	7015105			7015105	Screw—Throttle Body
50	—			—	Lockwasher—Throttle Body Screw
51	7038800	7040079	7038799	7038800	Rod—Pump
52	7018186			7018186	Clip—Pump Rod
53	—			225845	Cotter Pin—Pump Rod
54	—	7029427	7029427	N.S.S.	Idle Stop Screw
55	7001690	7029428	7037131	N.S.S.	Spring—Idle Stop Screw
56	7048861			7048858	Idle Needle
57	7011479			7011479	Spring—Idle Needle
58	7041944	17053833	7046424	7036587	Throttle Body Assembly
	7045846	17053692	NONE	N.S.S.	Throttle Body and Governor Assembly
59	7015631	7048269	NONE	7015631	Throttle Lever and Bearing Assembly
60	KIT ONLY	KIT ONLY	NONE	KIT ONLY	Gasket—Throttle Lever to Body
61	—	7038913	—	7010448	Screw—Throttle Lever to Body
62	—			—	Lockwasher—Throttle Lever Screw
63	7012604	7012604	NONE	7012604	Governor Housing Assembly
64	7009379	7009379	NONE	7009379	Diaphragm Assembly
65	7009384	7009384	NONE	7009384	Diaphragm Cover
66	—			N.S.S.	Screw—Diaphragm Cover
67	—			—	Lockwasher—Cover Screw
68	7010499	7010499	NONE	7010499	Spring—Governor
69	—	7009385	—	7009385	Post—Spring Attaching
70	KIT ONLY	KIT ONLY	—	KIT ONLY	Gasket—Governor to Throttle Body
71	KIT ONLY	KIT ONLY	—	7009388	Retainer—Shaft Seal
72	KIT ONLY	KIT ONLY	—	KIT ONLY	Seal—Throttle Shaft
73	—			7010448	Screw—Governor to Throttle Body
74	—			—	Lockwasher—Governor Screw
75	7009389	7009389	NONE	7009389	Governor Lever and Pin Assembly
76	—			120622	Nut—Governor Lever Attaching
77	—			—	Lockwasher—Lever Nut
78	—			N.S.S.	Cover—Governor Housing
79	—			N.S.S.	Screw—Housing Cover
80	—			—	Lockwasher—Cover Screw
81	KIT ONLY			KIT ONLY	Gasket—Throttle Body
82	—	—	—	38800361	Flange Gasket—Non Calif.
—	—	—	—	3970050	Flange Gasket—Calif.
—	3998973	3998976	3998976	3973302	Insulator—Flange (California)
—	—	—	6262906	—	Insulator—Flange

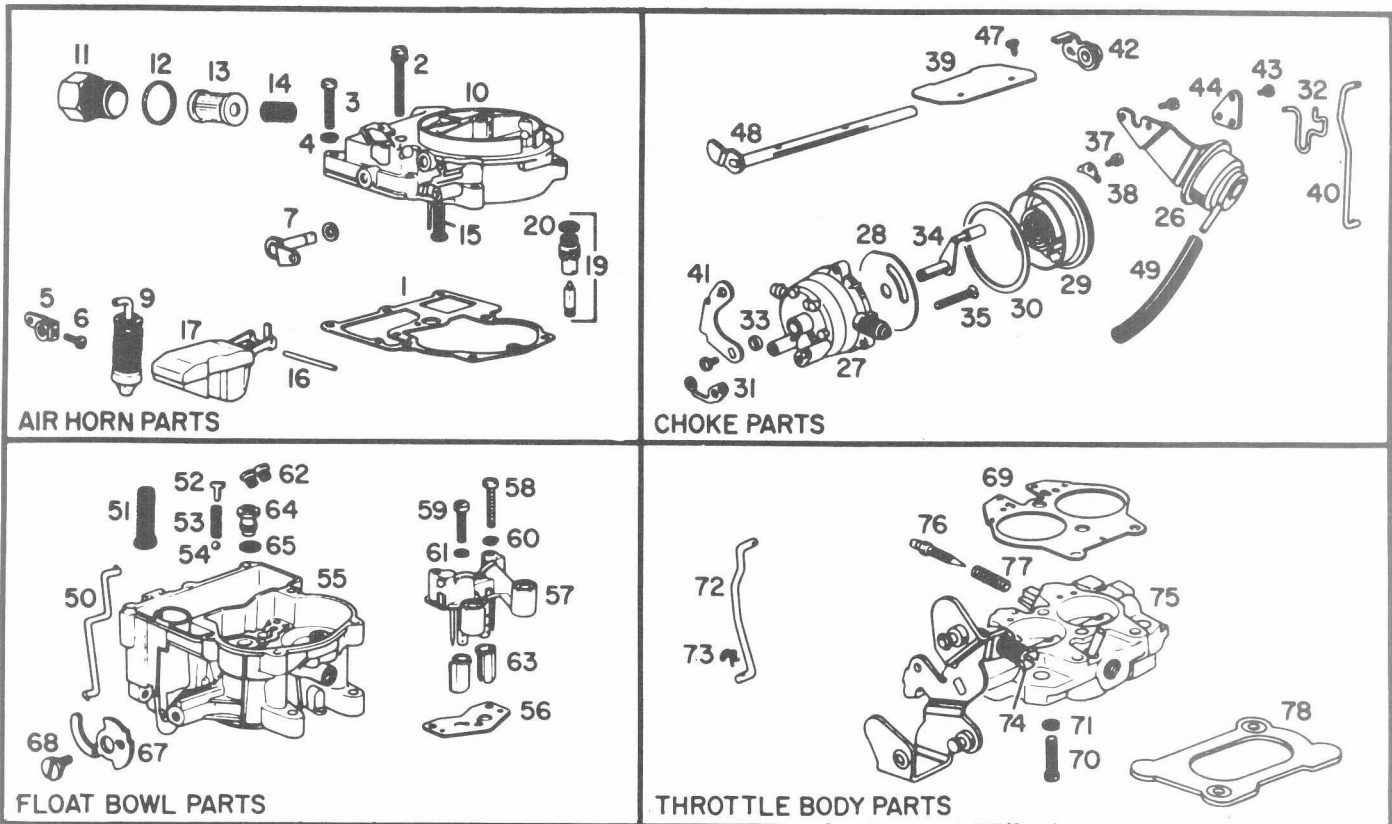
N.S.S. = Not Serviced Separately



Delco Carburetor

MODEL 2GC CARBURETORS
1975-76 CHEVROLET AND GM TRUCK
350 CUBIC INCH ENGINE

BULLETIN 9C-3097-T
DATE: SEPTEMBER 1979
PAGE 1
Replaces 9C-3097-T
Dated July 1978



PARTS SHOWN ARE FOR IDENTIFICATION ONLY. CONSULT PARTS LIST FOR CORRECT PART NAME AND NUMBER

PARTS IN ALL COLUMNS SAME — EXCEPT WHERE INDICATED

	1975-76 350-CU. IN. ALL TRANS.	APPLICATION
	17054664	CARBURETOR No.
	22-3113	REPLACEMENT PKG. No.
	17053830	OVERHAUL KIT
	9303	POWER CARBURETOR KIT
		GASKET SET
Illus. No.	AIR HORN PARTS	
1	7045671	Gasket—Air Horn
2	7010432	Screw—Air Horn—Long
3	7006119	Screw—Air Horn—Short
4	—	Lockwasher—Air Horn Screw
5	7032377	Pump Lever—Inside
6	7011270	Screw—Pump Lever
7	7044029	Pump Shaft & Lever Assembly
—	7019568	Washer—Pump Shaft
8	—	Clip—Pump
9	7036282	Pump Assembly
10	17065256	Air Horn Assembly
11	17051765	Filter Nut—Fuel Inlet
12	7032508	Gasket—Filter Nut
13	GF-470	Filter—Fuel Inlet
14	7032732	Spring—Fuel Inlet Filter
15	7006323	Power Piston Assembly
16	7002081	Pin—Float Hinge
17	7037512	Float Assembly
18	NONE	Elbow—Filter Nut

17054664		
Illus. No.	AIR HORN PARTS (Continued)	
19	7035132	Needle & Seat Assy.
20	KIT ONLY	Gasket—Needle Seat
21	—	Shield—Idle Vent
22	—	Idle Vent Valve Kit
23	—	*Gasket—Fuel Filter
—	KIT ONLY	*Gasket—Air Cleaner
CHOKE PARTS		
25	—	Vacuum Break Control Assembly
26	7044056	Vacuum Brk. Cont. & Brkt. Assy.
—	7032570	Screw—Control Attaching
27	17055540	Choke Housing
28	7037239	Baffle Plate
29	17052654	Stat Cover, Coil & Gkt. Assy.
30	17050961	Gasket—Stat Cover
31	7043291	Gasket—Choke Housing
32	7040239	Link—Vacuum Break
33	7037569	Dust Seal—Inter. Choke Shaft
34	7043289	Intermediate Choke Shaft Assy.
35	7043292	Screw—Choke Housing
36	—	Cam Lever & Bushing Assembly
37	7011270	Screw—Stat Cover
38	7000614	Retainer—Stat Cover
39	7033443	Valve—Choke
40	17050270	Rod—Intermediate Choke
41	17050266	Lever—Intermediate Choke
42	17050766	Lever—Choke
43	7019709	Screw—Choke Levers
44	17050271	Lever—Choke Shaft
45	—	—
46	—	Washer—Cam
47	7007627	Screw—Choke Valve
48	7047797	Choke Shaft Assy.
49	7026339	Hose—Vacuum
50	7043370	Rod—Choke
FLOAT BOWL PARTS		
51	7041141	Spring—Pump Return
—	7002120	Ball—Pump Inlet Check
—	—	Strainer—Pump Inlet
52	KIT ONLY	Guide—Pump Discharge
53	7002118	Spring—Pump Discharge
54	7002117	Ball—Pump Discharge
55	17052977	Float Bowl Assembly
56	KIT ONLY	Gasket—Venturi Cluster
57	17056636	Venturi Cluster Assembly
58	7045762	Screw—Venturi Cluster—Outer
59	7009077	Screw—Cluster—Center
60	—	Lockwasher—Outer Screws
61	KIT ONLY	Gasket—Center Screw
62	7002650	Jet—Standard (See Note)
63	7040320	Insert—Main Well
64	7011989	Power Valve Assembly
65	KIT ONLY	Gasket—Power Valve
66	—	—
67	7044039	Cam—Fast Idle
68	7036222	Screw—Cam Attaching
—	NONE	Solenoid—Idle Stop
—	NONE	Bracket & Washer Assy.
—	NONE	Nut—Solenoid Retaining
—	NONE	Screw—Bracket Attaching
THROTTLE BODY PARTS		
69	KIT ONLY	Gasket—Throttle Body
70	7015105	Screw—Throttle Body
71	—	Lockwasher—Thr. Body Screws
72	7041249	Rod—Pump
73	7018186	Clip—Pump Rod
74	7029427	Idle Stop Screw
—	7041519	Spring—Idle Stop Screw
75	N.S.S.	Throttle Body Assembly
76	7048860	Idle Needle
77	7011479	Spring—Idle Needle
78	6271058	Insulator—Flange

N.S.S. = Not Serviced Separately

	17057378	17057379	17057382	CARBURETOR No.
Illus. No.	AIR HORN PARTS (Continued)			
22	—			Idle Vent Valve Kit
23	—			Screw—Idle Vent Valve
24	—			Idle Vent Valve
	CHOKE PARTS			
25	—			Vacuum Break Control Assy.
26	7044056			Vac. Break Con. & Brkt. Assy.
—	7037570			Screw—Control Attaching
27	17055541	17055541	NONE	Choke Housing
28	7037239	7037239	NONE	Baffle Plate
29	17052654	17052654	NONE	Stat Cover, Coil & Gasket Assy.
30	17050961	17050961	NONE	Gasket—Stat Cover
31	7043291	7043291	NONE	Gasket—Choke Housing
32	7040239			Link—Vacuum Break
33	7037569	7037569	NONE	Dust Seal—Inter. Choke Shaft
34	7043289	7043289	NONE	Intermediate Choke Shaft Assy.
35	7043292	7043292	NONE	Screw—Choke Housing
36				Cam Lever & Bushing Assy.
37	7011270	7011270	NONE	Screw—Stat Cover
38	7000614	7000614	NONE	Retainer—Stat Cover
39	7033443			Choke Valve
40	17050270	17050270	NONE	Intermediate Choke Rod
41	17050266	17050266	NONE	Intermediate Choke Lever
42	17050766			Lever Choke
43	7019709			Screw—Choke Levers
44	17050271	17050271	7040002	Lever—Choke Shaft
45				
46				
47	7007627			Screw—Choke Valve
48	7047797			Choke Shaft Assy.
49	7026339	7026339	NONE	Hose—Vacuum
50	7043370			Choke Rod
	FLOAT BOWL PARTS			
51	7041141			Spring—Pump Return
—	7002120	7002120	NONE	Ball—Pump Inlet Check
—	NONE	NONE	7008663	Jet—Main Metering
52	KIT ONLY			Guide—Pump Discharge
53	7002118			Spring—Pump Discharge
54	7002117			Ball—Pump Discharge
55	17055339	17055339	17055470	Float Bowl Assembly
56	KIT ONLY			Gasket—Venturi Cluster
57	17054520	17054520	17056772	Venturi Cluster Assy.
58	7045762			Screw—Venturi Cluster—Outer
59	7009077			Screw—Cluster—Center
60	—			Lockwasher—Outer Screws
61	KIT ONLY			Gasket—Center Screw
62	7002651	7002651	NONE	Jet—Standard (See Note)
63	7040320			Insert—Main Well
64	7011989	7011989	7022777	Power Valve Assembly
65	KIT ONLY			Gasket—Power Valve
—	NONE	7042653	NONE	Washer—Tab Locking
67	7044039			Cam—Fast Idle
68	7036222			Screw—Cam Attaching
—	NONE	1997409	NONE	Solenoid—Idle Stop
—	NONE	7042818	7042818	Bracket & Washer Assy.
—	NONE	7042654	7042654	Nut—Solenoid Retaining
—	NONE	7043682	7043682	Screw—Bracket Attaching
—	NONE	NONE	7044055	Throttle Stop Unit
	THROTTLE BODY PARTS			
69	KIT ONLY			Gasket—Throttle Body
70	7015105			Screw—Throttle Body
71	—			Lockwasher—Thrt. Body Screws
72	7041249			Rod—Pump
73	7018186			Clip—Pump Rod
74	7029427			Idle Stop Screw
—	7041519			Spring—Idle Stop Screw
75	17055333	17055333	17054555	Throttle Body Assembly
76	7048860			Idle Needle
77	7011479			Spring—Idle Needle
78	6271058			Insulator—Flange