



Delco Carburetor

BULLETIN 9C-5000
DATE: NOVEMBER, 1971

1949-62 OLDSMOBILE

REFER TO THE 9A-100 CARBURETOR AND SERVICE PARTS CATALOG FOR PARTS AND KITS AVAILABLE FOR THE CARBURETORS LISTED BELOW.

CARBURETOR NO.	MODEL	YEAR	CARBURETOR NO.	MODEL	YEAR
7001570	AA	1949	7013150	4GC	1959
7002570	AA	1950	7013950	4GC	1959-60
7002900	BB	1951	7013952	4GC	1959-60
7004300	4GC	1952	7015052	2GC	1960
7004800	4GC	1952	7015058	2GC	1960
7005600	4GC	1953	7019050	4GC	1961
7005700	4GC	1953	7019052	2GC	1961
7005900	4GC	1954	7019054	4GC	1961
7006000	4GC	1954-55	7019055	4GC	1961
7006250	4GC	1953	7019056	4GC	1961
7006970	2GC	1955	7019058	2GC	1961
7007000	4GC	1955	7019092	2GC	1961
7007221	4GC	1956	7019095	2GC	1961
7007222	4GC	1956	7020051	2GC	1962
7007223	2GC	1956	7020052	2GC	1962
7008800	2GC	1956	7020053	2GC	1962
7009300	2GC	1956	7020057	2GC	1961
7009470	4GC	1957	7020058	2GC	1962
7009471	4GC	1957	7020059	2GC	1961
7010925	4GC	1957	7020950	4GC	1962
7010926	4GC	1957	7020952	4GC	1962
7010958	2G	1957	7020953	4GC	1962
7010959	2GC	1957	7020954	2GC	1962
7010960	2G	1957	7020955	4GC	1962
7011712	2G	1958	7020956	2GC	1962
7011713	2GC	1958	7020957	2GC	1962
7011714	2G	1958	7020959	2GC	1962
7012400	4GC	1958	7020980	2GC	1962
7012401	4GC	1958	7020981	2GC	1962
7012450	2GC	1958	7020982	2GC	1962
7012913	2GC	1958	7020983	2GC	1962
7013050	4GC	1959	7020985	4GC	1962
7013052	2GC	1959	7022752	4GC	1962
7013058	2GC	1959			



Delco Carburetor

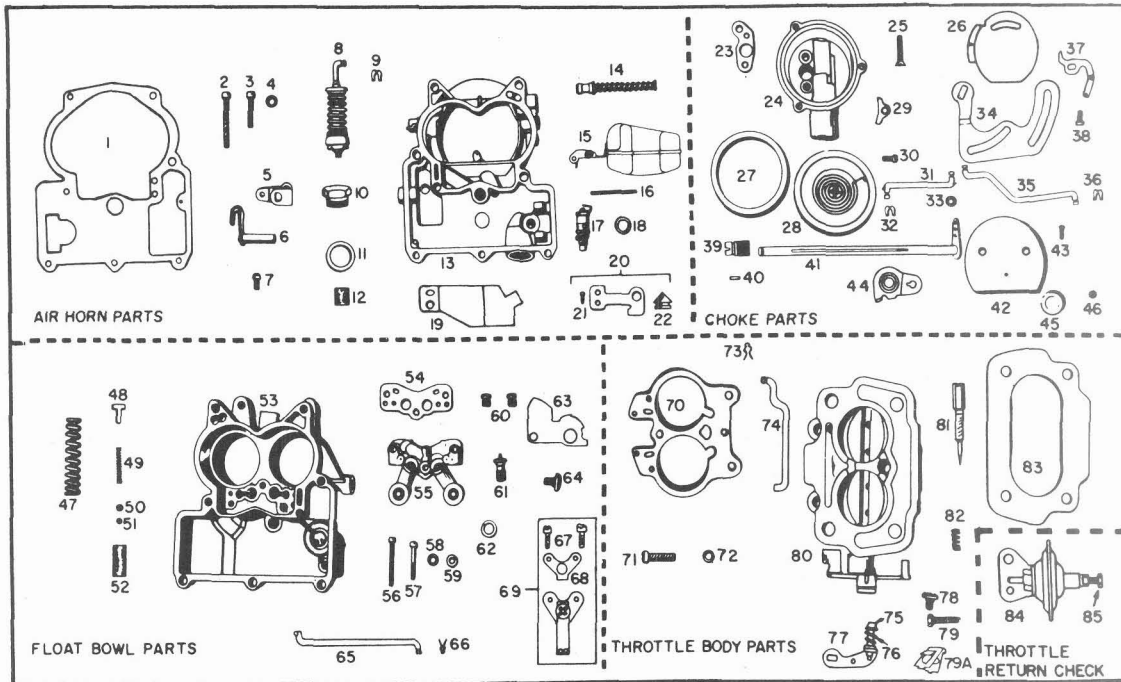
MODEL 2GC CARBURETORS

1963-64 OLDSMOBILE

394 CUBIC INCH V-8 DYNAMIC "88"

BULLETIN 9C-5001
 DATE: NOVEMBER, 1971
 PAGE 1

PARTS SHOWN ARE FOR IDENTIFICATION ONLY. CONSULT PARTS LIST FOR CORRECT PART NAME AND NUMBER



PARTS IN ALL COLUMNS SAME EXCEPT WHERE INDICATED

Illus. No.	1963		1964		YEAR
	STANDARD	AIR COND.	STANDARD	AIR COND.	APPLICATION
	7023052	7023053	7024052	7024053	CARBURETOR No.
	22-535	22-535	22-524	22-535	REPLACEMENT PACKAGE No.
	7016419				OVERHAUL KIT
	9038				POWER CARBURETOR KIT
	40-298				GASKET SET
AIR HORN PARTS					
1	7026942				Gasket - Air Horn
2	7010432				Screw - Air Horn - Long
3	7006119				Screw - Air Horn - Short
4	120217				Lockwasher - Air Horn Screws
5	7032377				Lever - Pump - Inside
6	7036764				Pump Shaft and Lever Assembly
7	7011270				Screw - Pump Lever
8	7032280				Pump Assembly
9	7005032				Clip - Pump Plunger
10	7002862	7002862	7013314	7013314	Strainer Nut
11	7001597				Gasket - Strainer Nut
12	7000261				Strainer - Fuel Inlet
13	NLA				Air Horn Assembly
14	7006323	7006011	7006323	7006011	Power Piston Assembly
15	7021891				Float Assembly
16	7010037				Pin - Float Hinge
17	30-13				Needle and Seat Assembly
18	KIT ONLY				Gasket - Needle Seat
19	7012835				Shield - Idle Vent
20	7012252				Idle Vent Valve Kit
21	7012548				Screw - Idle Vent
22	7029993				Valve - Idle Vent
CHOKE PARTS					
23	7013995				Gasket - Choke Housing
24	7034288				Choke Housing Assembly
25	7013704				Screw - Choke Housing
26	7019477	7019477	7027896	7027896	Baffle Plate

	7023052	7023053	7024052	7024053	CARBURETOR No.
Illus. No.	CHOKE PARTS (Continued)				
27	7002760				Gasket – Stat Cover
28	7021794				Stat Cover, Coil and Gasket Assembly
29	7000614				Retainer – Stat Cover
30	7011270				Screw – Stat Cover
31	7016682				Rod – Choke
32	7005109				Clip – Choke Rod
33	7002287				Washer – Choke Rod
34	7017988				Intermediate Choke Shaft Assembly
35	7016683				Intermediate Choke Rod
36	7005109				Clip – Intermediate Choke Rod
37	7026664				Choke Lever and Link Assembly
38	7019709				Screw – Piston Lever Attaching
39	7029699				Choke Piston
40	7004748				Pin – Choke Piston
41	7020667				Choke Shaft Assembly
42	7033443				Choke Valve
43	7007627				Screw – Choke Valve
44	7020669				Choke Lever and Collar Assembly
45	7003135				Plug – Expansion – Large
46	7006475				Plug – Expansion – Small
	FLOAT BOWL PARTS				
47	7004597				Spring – Pump Return
48	7000286				Guide – Pump Discharge
49	7002118				Spring – Pump Discharge
50	7002117				Ball – Pump Discharge
51	7002120				Ball – Pump Inlet Check
52	7004557				Screen – Pump Inlet
53	NLA				Float Bowl Assembly
54	KIT ONLY				Gasket – Venturi Cluster
55	NLA				Venturi Cluster Assembly
56	7008502				Screw – Venturi Cluster – Outer
57	7009077				Screw – Venturi Cluster – Center
58	KIT ONLY				Gasket – Center Screw
59	120217				Lockwasher – Outer Screws
60	7008663	7008664	7008664	7008664	Jet – Standard
61	7011989				Power Valve Assembly
62	KIT ONLY				Gasket – Power Valve
63	NLA				Cam – Fast Idle
64	7003561				Screw – Cam Attaching
65	7020684				Rod – Choke Unloader
66	1875293				Clip – Unloader Rod
67	–	7015127	–	7015127	Screw – Idle Compensator
68	–	7013341	–	7013341	Gasket – Idle Compensator
69	–	7028924	–	7028924	Idle Compensator Kit
	THROTTLE BODY PARTS				
70	KIT ONLY				Gasket – Throttle Body
71	7015105				Screw – Throttle Body
72	121744				Lockwasher – Throttle Body Screw
73	1875293				Clip – Pump Rod
74	7029658				Pump Rod
75	7013477				Fast Idle Screw
76	7001690				Spring – Fast Idle Screw
77	7035727				Fast Idle Lever Assembly
78	7010435				Screw – Fast Idle Lever
79	7025605				Idle Stop Screw
79A	7027845				Clip – Idle Stop Screw
80	NLA				Throttle Body Assembly
81	7041621				Idle Needle
82	7011479				Spring – Idle Needles
83	578912				Gasket – Flange
	THROTTLE RETURN CHECK PARTS				
84	575744				Throttle Return Check Assembly
85	7003234				Contact Screw

NLA—No Longer Available



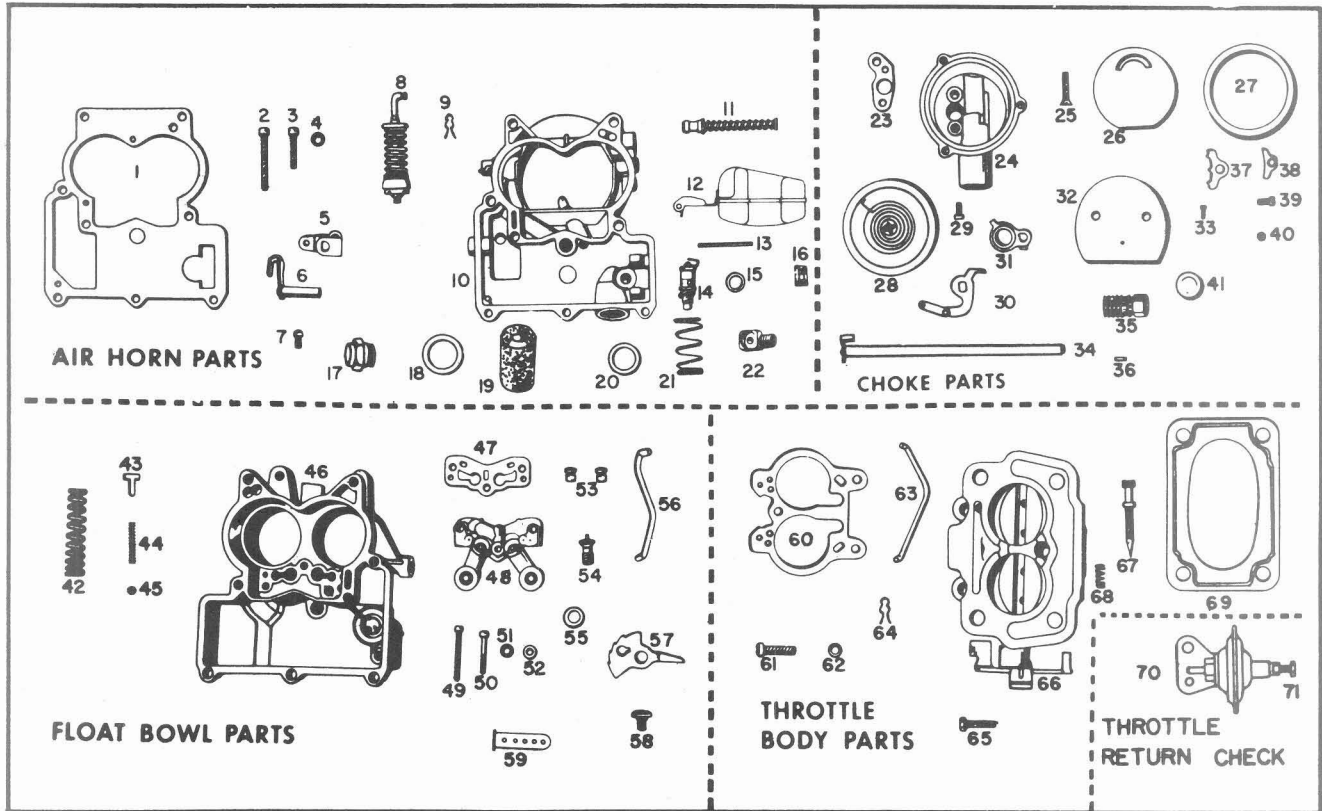
Delco Carburetor

MODEL 2GC CARBURETORS

1963 OLDSMOBILE "F-85"

BULLETIN 9C-5002
 DATE: NOVEMBER, 1971
 PAGE 1

PARTS SHOWN ARE FOR IDENTIFICATION ONLY, CONSULT PARTS LIST FOR CORRECT PART NAME AND NUMBER



PARTS IN ALL COLUMNS SAME EXCEPT WHERE INDICATED

Illus. No.	AUTO. TRANS.	SYNCHROMESH	APPLICATION
	7023056	7023058	CARBURETOR No.
	22-520	22-521	REPLACEMENT PACKAGE No.
	7016355		OVERHAUL KIT
	9093		POWER CARBURETOR KIT
40-345		GASKET SET	
AIR HORN PARTS			
1	7021008		Gasket—Air Horn
2	7010432		Screw—Air Horn—Long
3	7006119		Screw—Air Horn—Short
4	120217		Lockwasher—Air Horn Screws
5	7032377		Lever—Pump—Inside
6	7019377		Pump Shaft and Lever Assembly
7	7011270		Screw—Pump Lever
8	7031824		Pump Assembly
9	1875293		Clip—Pump Plunger
10	NLA		Air Horn Assembly
11	7006323		Power Piston Assembly
12	7012974		Float Assembly
13	7002081		Pin—Float Hinge
14	30-9		Needle and Seat Assembly
15	KIT ONLY		Gasket—Needle Seat
16	—		Strainer—Needle Seat
17	7040953		Nut—Fuel Inlet Filter

	7023056	7023058	CARBURETOR No.
	AIR HORN PARTS (Continued)		
Illus. No.			
18	7032508		Gasket—Filter Nut
19	7013404		Filter—Fuel Inlet
20	7013584		Gasket—Fuel Filter
21	7010007		Spring—Fuel Filter
22	137422		Fuel Inlet Fitting
	CHOKE PARTS		
23	7007502		Gasket—Choke Housing
24	NLA		Choke Housing Assembly
25	7019516		Screw—Choke Housing
26	NLA		Baffle Plate
27	7002760		Gasket—Stat Cover
28	7021541		Stat Cover, Coil and Gasket Assembly
29	7019709		Screw—Choke Piston Lever
30	7026658	7026684	Choke Piston Lever
31	7026238		Choke Lever and Collar Assembly
32	7000255		Choke Valve
33	7007627		Screw—Choke Valve
34	7022988		Choke Shaft Assembly
35	7012610		Choke Piston
36	7010746		Pin—Choke Piston
37	7006846		Retainer—Stat Cover—Toothed
38	7000614		Retainer—Stat Cover—Plain
39	7011270		Screw—Stat Cover
40	7002814		Plug—Lead Ball
41	7003135		Plug—Expansion—Large
	FLOAT BOWL PARTS		
42	7002101		Spring—Pump Return
43	7000286		Guide—Pump Discharge
44	7002118		Spring—Pump Discharge
45	7002117		Ball—Pump Discharge
46	NLA		Float Bowl Assembly
47	KIT ONLY		Gasket—Venturi Cluster
48	NLA		Venturi Cluster Assembly
49	7000293		Screw—Cluster—Outer
50	7000294		Screw—Cluster—Center
51	121841		Lockwasher—Outer Screws
52	KIT ONLY		Gasket—Center Screw
53	7002947		Jet—Standard
54	7006331		Power Valve Assembly
55	KIT ONLY		Gasket—Power Valve
56	7017519		Choke Rod
57	NLA		Cam—Fast Idle
58	7003561		Screw—Cam Attaching
59	7021528		Insert—Main Well
	THROTTLE BODY PARTS		
60	KIT ONLY		Gasket—Throttle Body
61	7015105		Screw—Throttle Body
62	121744		Lockwasher—Throttle Body Screws
63	NLA		Pump Rod
64	1875293		Clip—Pump Rod
65	7013347	7006213	Idle Stop Screw
66	NLA		Throttle Body Assembly
67	7041621		Idle Needle
68	7003190		Spring—Idle Needle
69	1364417		Flange Gasket
70	7020092	—	Throttle Return Check Assembly
71	NLA	—	Contact Screw

NLA - NO LONGER AVAILABLE



Delco Carburetor

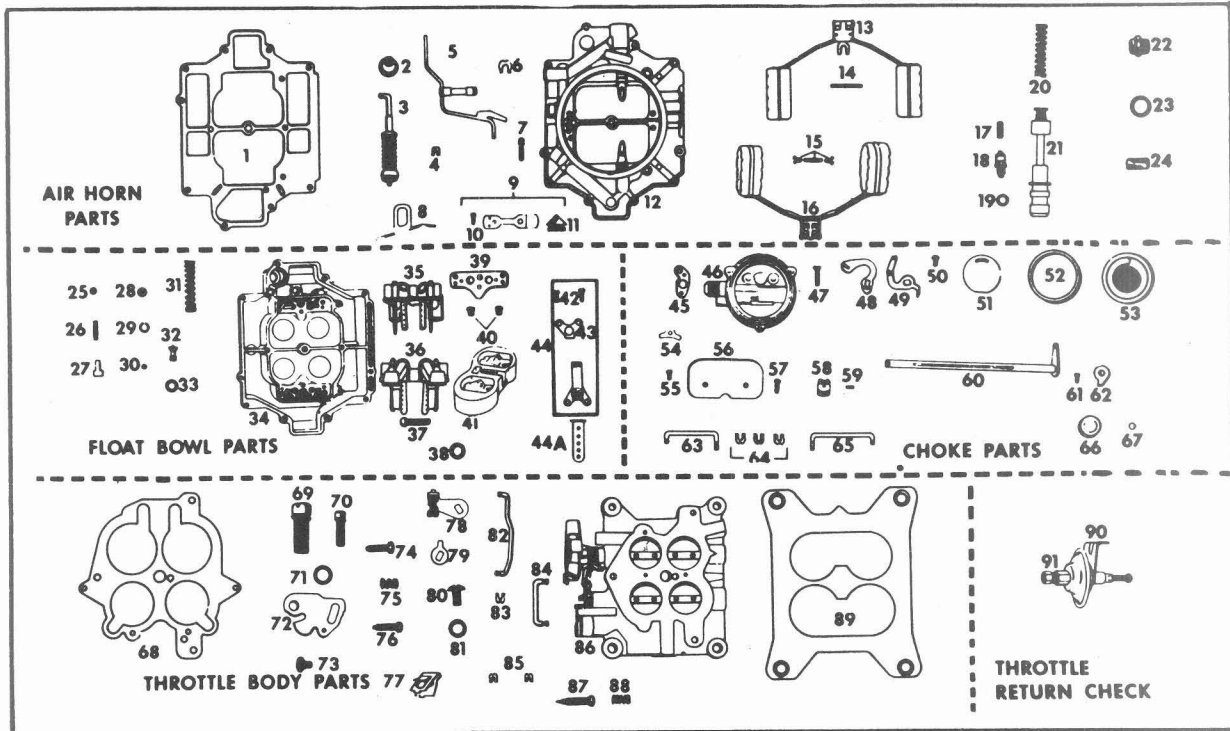
MODEL 4GC CARBURETORS

1963-64 OLDSMOBILE

HYDRAMATIC AND SYNCHROMESH

BULLETIN 9C-5003
DATE: NOVEMBER, 1971
PAGE 1

PARTS SHOWN ARE FOR IDENTIFICATION ONLY. CONSULT PARTS LIST FOR CORRECT PART NAME AND NUMBER



PARTS IN ALL COLUMNS SAME EXCEPT WHERE INDICATED

	1963	1964		YEAR
	ALL	CALIFORNIA ONLY	OTHER	APPLICATION
	7023050	7024154	7024050	STANDARD CARBURETOR No.
	7023051	7024153	7024051	AIR CONDITIONED CARBURETOR No.
	24-508B			REPLACEMENT PACKAGE No.
	7016439			OVERHAUL KIT
	9072			POWER CARBURETOR KIT
	40-297			GASKET SET

Illus. No.	AIR HORN PARTS			
1	7025649			Gasket - Air Horn
2	7006372			Boot - Pump Plunger
3	7022992			Pump Assembly
4	7005032			Clip - Pump Plunger
5	7013430			Pump Shaft and Lever Assembly
6	7007616			Clip - Pump Shaft
7	7000249			Screw - Air Horn
8	7012520			Shield - Idle Vent Valve
9	7012188			Idle Vent Valve Kit
10	7012548			Screw - Idle Vent Valve
11	7029993			Idle Vent Valve
12	NLA			Air Horn Assembly
13	7011945			Primary Float Assembly
14	7001595			Pin - Float Hinge
15	7001850			Float Balance Spring Assembly (Secondary Only)
16	7012148			Secondary Float Assembly
17	7006079			Strainer - Needle Seat
18	30-11			Needle and Seat Assembly - Primary
18	30-7			Needle and Seat Assembly - Secondary
19	KIT ONLY			Gasket - Needle Seat
20	7012515			Spring - Power Piston
21	7011947			Power Piston Assembly
22	7002862			Strainer Nut
23	7001597			Gasket - Strainer Nut
24	7003083			Strainer - Fuel Inlet

	7023050	7024154	7024050	STANDARD CARBURETOR No.
	7023051	7024153	7024051	AIR CONDITIONED CARBURETOR No.
	FLOAT BOWL PARTS			
Illus. No.				
25	7002117			Ball – Pump Discharge
26	7006059			Spring – Pump Discharge
27	7003838			Guide – Pump Discharge
28	7001604			Strainer – Pump Inlet
29	7001605			Retainer – Inlet Strainer
30	7002120			Ball – Pump Inlet Check
31	7008694			Spring – Pump Return
32	7037812			Power Valve Assembly
33	KIT ONLY			Gasket – Power Valve
34	NLA			Float Bowl Assembly
35	NLA			Venturi Cluster Assembly – Primary
36	NLA			Venturi Cluster Assembly – Secondary
37	7010421			Screw – Cluster Attaching
38	121841			Lockwasher – Cluster Screws
39	KIT ONLY			Gasket – Venturi Clusters
40	7002654	7002652	7002654	Jet – Primary
40	7008684	7008683	7008680	Jet – Secondary
41	7012578			Auxiliary – Throttle Valve Assembly
42	7015127			Screw – Idle Compensator (Air Cond. Carbs)
43	7013341			Gasket – Idle Compensator (Air Cond. Carbs)
44	7028924			Idle Compensator Kit (Air Cond. Carbs)
44A	7021029			Insert – Main Well – Primary
	CHOKE PARTS			
45	7007502			Gasket – Choke Housing
46	7013224			Choke Housing Assembly
47	7019516			Screw – Choke Housing
48	7013447			Intermediate Choke Shaft Assembly
49	7026664			Choke Piston Lever and Link Assembly
50	7019709			Screw – Piston Lever
51	7006643			Baffle Plate
52	7002760			Gasket – Stat Cover
53	7013602			Stat Cover, Coil and Gasket Assembly
54	7000614			Retainer – Stat Cover
55	7011270			Screw – Stat Cover
56	7000191			Choke Valve
57	7007627			Screw – Choke Valve
58	7015332			Choke Piston
59	7010746			Pin – Choke Piston
60	7013828			Choke Shaft Assembly
61	7019709			Screw – Trip Lever
62	7000196			Trip Lever
63	7013853			Rod – Intermediate Choke
64	7005109			Clip – Intermediate and Choke Rods
65	7013432			Rod – Choke
66	7003135			Plug – Expansion
67	7002814			Plug – Lead Ball
	THROTTLE BODY PARTS			
68	KIT ONLY			Gasket – Throttle Body
69	7004324			Screw – Throttle Body – Large
70	7015105			Screw – Throttle Body – Small
71	121744			Lockwasher – Small Screws
72	NLA			Cam – Fast Idle
73	7003561			Screw – Cam Attaching
74	7011546			Fast Idle Screw
75	7001690			Spring – Fast Idle Screw
76	7025605			Idle Stop Screw
77	7027845			Clip – Idle Stop Screw
78	7026868			Fast Idle Lever Assembly
79	NLA			Lever – Secondary Lockout
80	7010435			Screw – Fast Idle and Secondary Lockout Levers
81	NLA			Washer – Spacer – Fast Idle and Sec. Lockout Levers
82	7028587			Rod – Pump
83	7005032			Clip – Pump Rod
84	7000241			Link – Secondary Lever
85	7005032			Clip – Secondary Lever Link
86	NLA			Throttle Body Assembly
87	7041621			Idle Needle
88	7011479			Spring – Idle Needle
89	573280			Gasket – Flange
	THROTTLE RETURN CHECK PARTS HYDRAMATIC			
90	577287			Throttle Return Check Assembly
91	NLA			Contact Screw



Delco Carburetor

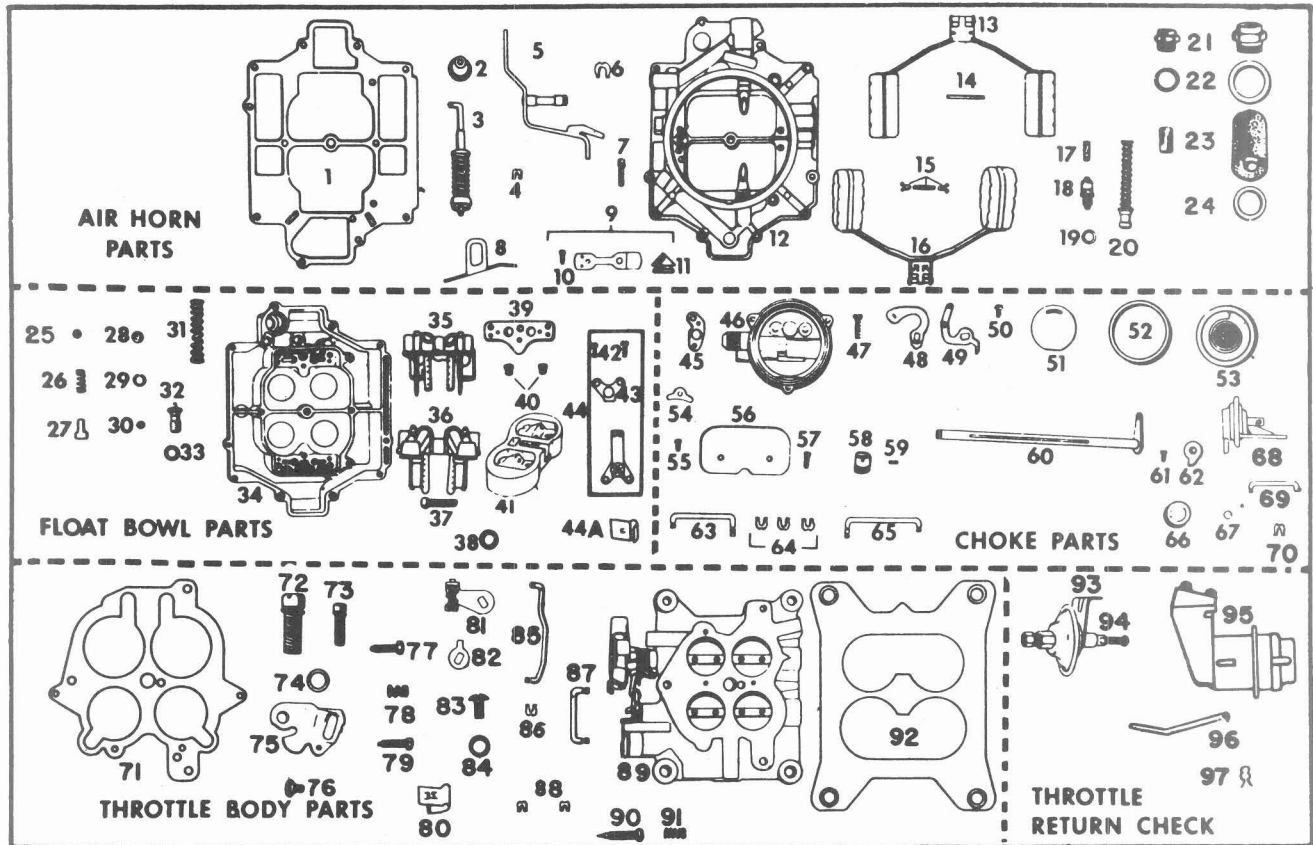
MODEL 4GC CARBURETORS

1963-64 OLDS F-85 & 1964 JETSTAR

215 AND 330 CUBIC INCH ENGINES

BULLETIN 9C-5004
DATE: NOVEMBER, 1971
PAGE 1

PARTS SHOWN ARE FOR IDENTIFICATION ONLY. CONSULT PARTS LIST FOR CORRECT PART NAME AND NUMBER



PARTS IN ALL COLUMNS SAME EXCEPT WHERE INDICATED

Illus. No.	1963		1964		YEAR
	AUTO. TRANS.	SYNCHROMESH	AUTO. TRANS.	SYNCHROMESH	APPLICATION
	7023054	7023055	7024054	7024055	CARBURETOR No.
	24-512	24-513	24-514	24-514	REPLACEMENT PACKAGE No.
	7016278	7016278	7016451	7016451	OVERHAUL KIT
	9039	9039	9068	9068	POWER CARBURETOR KIT
	40-277	40-277	40-309	40-309	GASKET SET
	AIR HORN PARTS				
1	7015136	7015136	7026876	7026876	Gasket - Air Horn
2	7006372				Boot - Pump Plunger
3	7022978				Pump Assembly
4	7005032				Clip - Pump Plunger
5	7013430				Pump Shaft and Lever Assembly
6	7007616				Clip - Pump Shaft
7	7000249				Screw - Air Horn
8	7012520				Shield - Vent Valve
9	7012188				Idle Vent Valve Kit
10	7012548				Screw - Idle Vent Valve
11	7029993				Idle Vent Valve
12	NLA				Air Horn Assembly
13	7012148				Primary Float Assembly
14	7001595				Pin - Float Hinge
15	7001850				Float Balance Spring Assembly
16	7012148				Secondary Float Assembly
17	7006079				Strainer - Needle Seat
18	30-11				Needle and Seat Assembly - Primary
18	30-7				Needle and Seat Assembly - Secondary
19	KIT ONLY				Gasket - Needle Seat
20	7025738				Power Piston Assembly
21	7002862	7002862	7013525	7013525	Strainer Nut
22	7001597	7001597	7032508	7032508	Gasket - Strainer Nut
23	7003083	7003083	7013404	7013404	Strainer - Fuel Inlet
24	-	-	7013584	7013584	Gasket - Filter

CO, WD, 131, 132:16, 9X, 9FR, 9FD

NLA - No Longer Available

PRINTED IN U.S.A.
© 1971, GENERAL MOTORS CORP.

Illus. No.	7023054	7023055	7024054	7024055	CARBURETOR No.
FLOAT BOWL PARTS					
25	7002117				Ball – Pump Discharge
26	7006059				Spring – Pump Discharge
27	7003838				Guide – Pump Discharge
28	7001604				Strainer – Pump Inlet
29	7001605				Retainer – Inlet Strainer
30	7002120				Ball – Pump Inlet Check
31	7004597				Spring – Pump Return
32	7011989				Power Valve Assembly
33	KIT ONLY				Gasket – Power Valve
34	NLA				Float Bowl Assembly
35	NLA				Venturi Cluster Assembly – Primary
36	NLA				Venturi Cluster Assembly – Secondary
37	7010421				Screw – Cluster Attaching
38	121841				Lockwasher – Cluster Screws
39	KIT ONLY				Gasket – Venturi Clusters
40	7002643	7002643	7002656	7002657	Jet – Primary
40	7008660	7008660	7008678	7008680	Jet – Secondary
41	7025725	7025725	7015174	7015174	Auxiliary – Throttle Valve Assembly
42	7015127				Screw – Idle Compensator
43	7013341				Gasket – Idle Compensator
44	7028924				Idle Compensator Kit
44A	–	–	–	NLA	Baffle – Main Metering – Primary
CHOKE PARTS					
45	7007502				Gasket – Choke Housing
46	7020398	7020398	7026864	7026864	Choke Housing Assembly
47	7019516				Screw – Choke Housing
48	7013447				Intermediate Choke Shaft Assembly
49	7026664				Choke Piston Lever and Link Assembly
50	7019709				Screw – Piston Lever
51	7010598				Baffle Plate
52	7002760				Gasket – Stat Cover
53	7021597	7021597	7027872	7027872	Stat Cover, Coil and Gasket Assembly
54	7000614				Retainer – Stat Cover
55	7011270				Screw – Stat Cover
56	7000191				Choke Valve
57	7007627				Screw – Choke Valve
58	7015332				Choke Piston
59	7010746				Pin – Choke Piston
60	7013828	7013828	7022981	7022981	Choke Shaft Assembly
61	7019709				Screw – Trip Lever
62	7000196				Trip Lever
63	7013853				Rod – Intermediate Choke
64	7005109				Clip – Intermediate and Choke Rods
65	7021963	7021963	7026418	7026418	Rod – Choke
66	7003135				Plug – Expansion
67	7002814	7002814	7002814	7002814	Plug – Lead Ball
68	–	–	7023093	7023093	Vacuum Break Control Assembly
69	–	–	7022983	7022983	Link – Control Assembly
70	–	–	7005109	7005109	Clip – Control Link
THROTTLE BODY PARTS					
71	KIT ONLY				Gasket – Throttle Body
72	7004324				Screw – Throttle Body – Large
73	7015105				Screw – Throttle Body – Small
74	121744				Lockwasher – Small Screws
75	NLA				Cam – Fast Idle
76	7003561				Screw – Cam Attaching
77	7011546				Fast Idle Screw
78	7001690				Spring – Fast Idle Screw
79	7025605				Idle Stop Screw
80	7027845				Clip – Idle Stop Screw
81	7022601	7022601	7026868	7026868	Fast Idle Lever Assembly
82	NLA				Lever – Secondary Lockout
83	7010435				Screw – Fast Idle and Sec. Lockout Levers
84	NLA				Washer – Spacer – Fast Idle & Sec. Lock. Levers
85	7028587				Rod – Pump
86	7005032				Clip – Pump Rod
87	7010352				Link – Secondary Lever
88	7005032				Clip – Secondary Lever Link
89	NLA				Throttle Body Assembly
90	7041621				Idle Needle
91	7011479				Spring – Idle Needle
92	583319	583319	573280	573280	Gasket – Flange
THROTTLE RETURN CHECK PARTS					
93	577287	–	–	–	Throttle Return Check Assembly
94	NLA	–	–	–	Contact Screw
95	NLA	–	–	–	Throttle Retard Unit
96	NLA	–	–	–	Link – Throttle Retard
97	836159	–	–	–	Clip – Retard Link



Delco Carburetor

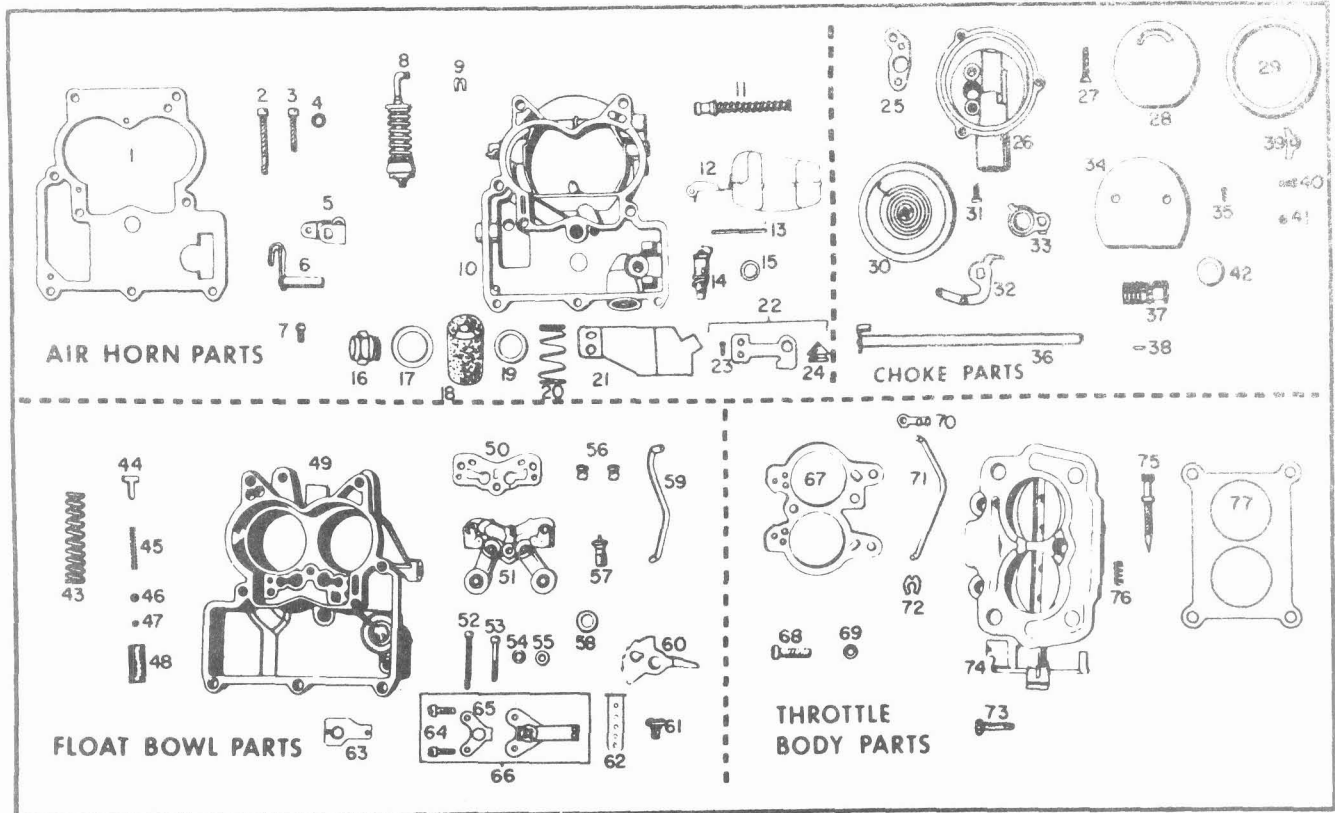
MODEL 2GC CARBURETORS

1964 OLDS F-85 & JETSTAR "88"

330 CUBIC INCH ENGINE

BULLETIN 9C-5005
 DATE: NOVEMBER, 1971
 PAGE 1

PARTS SHOWN ARE FOR IDENTIFICATION ONLY. CONSULT PARTS LIST FOR CORRECT PART NAME AND NUMBER



PARTS IN ALL COLUMNS SAME EXCEPT WHERE INDICATED

	AUTO. TRANS. STANDARD	AUTO. TRANS. AIR COND.	MAN. TRANS. STANDARD	MAN. TRANS. AIR COND.	APPLICATION
	7024056	7024156	7024058	7024155	CARBURETOR No.—F-85
	7024056	7024057	7024058	7024059	CARB. No.—JETSTAR "88"
	22-526				REPLACEMENT PACKAGE No.
	7016453				OVERHAUL KIT
	9061				POWER CARBURETOR KIT
	40-300				GASKET SET
Illus. No.	AIR HORN PARTS				
1	7026877				Gasket — Air Horn
2	7010432				Screw — Air Horn — Long
3	7006119				Screw — Air Horn — Short
4	120217				Lockwasher — Air Horn Screws
5	7032377				Lever — Pump — Inside
6	7036764				Pump Shaft and Lever Assembly
7	7011270				Screw — Pump Lever
8	7031824				Pump Assembly
9	7005032				Clip — Pump Plunger
10	NLA				Air Horn Assembly
11	7006011				Power Piston Assembly
12	7021891				Float Assembly
13	7002081				Pin — Float Hinge
14	30-13				Needle and Seat Assembly
15	KIT ONLY				Gasket — Needle Seat
16	7040952				Nut — Fuel Inlet Filter

	7024056	7024156	7024058	7024155	CARBURETOR No.—F-85
	7024056	7024057	7024058	7024059	CARB. No.—JETSTAR "88"
AIR HORN PARTS (Continued)					
Illus. No					
17	7032508				Gasket — Filter Nut
18	7013404				Filter — Fuel Inlet
19	7013584				Gasket — Fuel Filter
20	7010007				Spring — Fuel Filter
21	7012835				Shield — Idle Vent
22	7012252				Idle Vent Valve Kit
23	7012548				Screw — Vent Valve
24	7029993				Idle Vent Valve
CHOKE PARTS					
25	7007502				Gasket — Choke Housing
26	7026478				Choke Housing Assembly
27	7019516				Screw — Choke Housing
28	7026516				Baffle Plate
29	7002760				Gasket — Stat Cover
30	7027876				Stat Cover, Coil and Gasket Assembly
31	7019709				Screw — Choke Piston Lever
32	7026658				Choke Piston Lever
33	7026237				Choke Lever and Collar Assembly
34	7000255				Choke Valve
35	7007627				Screw — Choke Valve
36	7022932				Choke Shaft Assembly
37	7021493				Choke Piston
38	7010746				Pin—Choke Piston
39	7000614				Retainer — Stat Cover
40	7011270				Screw — Stat Cover
41	7002814				Plug — Lead Ball
42	7003135				Plug — Expansion — Large
FLOAT BOWL PARTS					
43	7004597				Spring — Pump Return
44	7000286				Guide — Pump Discharge
45	7002118				Spring — Pump Discharge
46	7002117				Ball — Pump Discharge
47	7002120				Ball — Pump Inlet Check
48	7004557				Strainer — Pump Inlet
49	NLA				Float Bowl Assembly
50	KIT ONLY				Gasket — Venturi Cluster
51	NLA				Venturi Cluster Assembly
52	7000293				Screw — Cluster — Outer
53	7000294				Screw — Cluster — Center
54	121841				Lockwasher — Outer Screws
55	KIT ONLY				Gasket — Center Screw
56	7002657				Jet — Standard
57	7011989				Power Valve Assembly
58	KIT ONLY				Gasket — Power Valve
59	7021459				Choke Rod
60	7010952				Cam — Fast Idle
61	7003561				Screw — Cam Attaching
62	7021528				Insert — Main Well
63	—	7013937	—	7013937	Cover — Idle Compensator
64	—	7015127	—	7015127	Screw — Idle Compensator
65	—	7013341	—	7013341	Gasket — Idle Compensator
66	—	7028924	—	7028924	Idle Compensator Kit
THROTTLE BODY PARTS					
67	KIT ONLY				Gasket — Throttle Body
68	7015105				Screw — Throttle Body
69	121744				Lockwasher — Throttle Body Screws
70	7003242				Clip — Pump Rod — Upper
71	7026844				Pump Rod
72	7005032				Clip — Pump Rod — Lower
73	7006213				Idle Stop Screw
74	NLA				Throttle Body Assembly
75	7041621				Idle Needle
76	7011479				Spring — Idle Needle
77	KIT ONLY				Flange Gasket

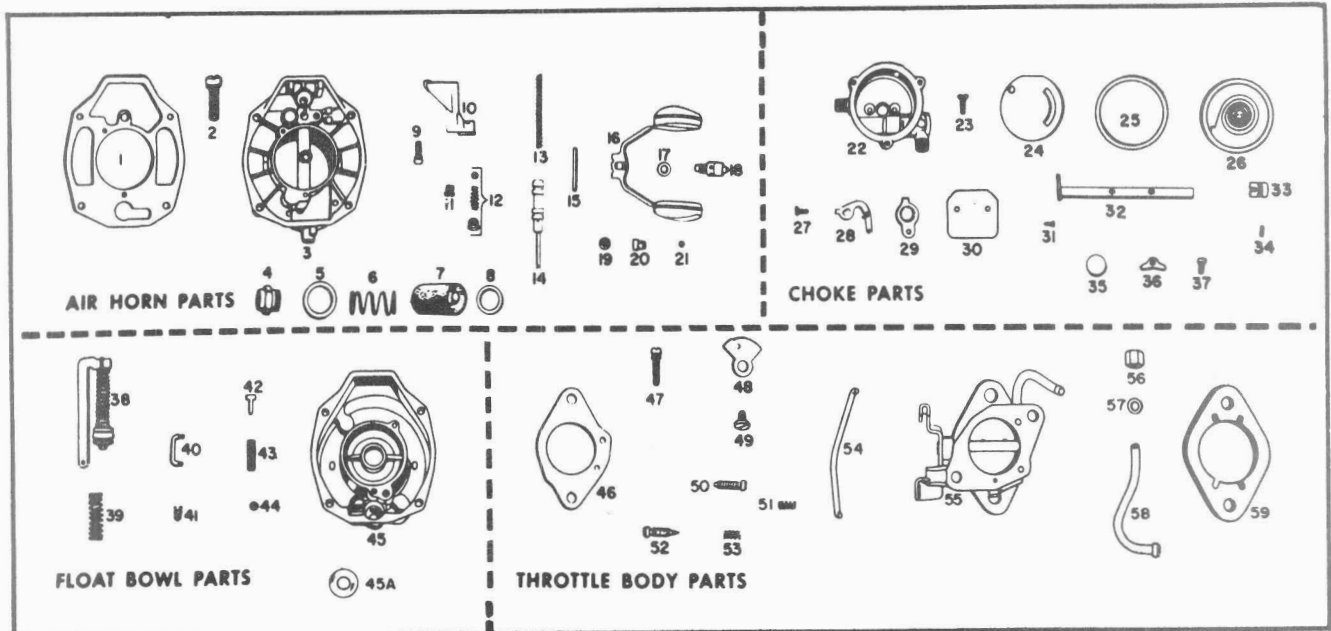


Delco Carburetor

MODEL BC CARBURETORS 1964-65 OLDSMOBILE "V-6" 225 CUBIC INCH ENGINE

BULLETIN 9C-5006
DATE: NOVEMBER, 1971
PAGE 1

PARTS SHOWN ARE FOR IDENTIFICATION ONLY. CONSULT PARTS LIST FOR CORRECT PART NAME AND NUMBER



PARTS IN ALL COLUMNS SAME EXCEPT WHERE INDICATED

ILLUS. NO.	1964		1965		YEAR
	AUTO. TRANS.	MAN. TRANS.	AUTO. TRANS.	MAN. TRANS.	APPLICATION
	7024148	7024149	7025148	7025149	CARBURETOR No.
	21-100	21-101	21-102	21-103	REPLACEMENT PACKAGE No.
	7016448				OVERHAUL KIT
	9060				POWER CARBURETOR KIT
	40-296				GASKET SET
	AIR HORN PARTS				
1	7026584				Gasket—Air Horn
2	7026595				Screw—Air Horn Attaching
3	NLA				Air Horn Assembly
4	7040952				Filter Nut—Fuel Inlet
5	7032508				Gasket—Filter Nut
6	7010007				Spring—Fuel Filter
7	7013404				Filter—Fuel Inlet
8	7013584				Gasket—Fuel Filter
9	7000745				Screw—Main Well Support
10	NLA				Main Well Support Assembly
11	7002961				Main Metering Jet (Standard)
11	7002960				Main Metering Jet (Altitude)
12	7026961				Power Valve Assembly
13	7002366	7002366	7002071	7002366	Spring—Power Piston
14	7010002				Piston—Power
15	7002081				Pin—Float Hinge
16	7002672				Float Assembly
17	KIT ONLY				Gasket—Needle Seat
18	30-1				Needle and Seat Assembly
19	7001637				Plug—Lead Ball—Idle Passage—Outer
20	7002055				Plug—Idle Passage—Inner
21	7002814				Plug—Lead Ball

CO, WD, 131, 132:16, 9X, 9FR, 9FD

NLA—No Longer Available

PRINTED IN U.S.A.
© 1971, GENERAL MOTORS CORP.

	7024148	7024149	7025148	7025149	CARBURETOR No.
Illus. No.	CHOKE PARTS				
22	NLA				Choke Housing Assembly
23	7019516				Screw—Choke Housing
24	7006643				Baffle Plate
25	7002760				Gasket—Stat Cover
26	7027812				Stat Cover, Coil and Gasket Assembly
27	7019709				Screw—Choke Piston Lever
28	NLA				Piston Lever and Link Assembly
29	7009262				Choke Lever
30	7011651				Choke Valve
31	7007627				Screw—Choke Valve
32	7022548				Choke Shaft Assembly
33	NLA				Piston—Choke
34	7010746				Pin—Choke Piston
35	7003135				Plug—Expansion
36	7000614				Retainer—Stat Cover
37	7011270				Screw—Stat Cover
	FLOAT BOWL PARTS				
38	7028767	7027806	7028767	7027806	Pump Plunger Assembly
39	7005954				Spring—Pump Return
40	7029787				Link—Pump
41	836159				Pin Spring—Pump Link
42	7003838				Guide—Pump Discharge
43	7002118				Spring—Pump Discharge
44	7002117				Ball—Pump Discharge
45	NLA				Float Bowl Assembly
45A	KIT ONLY				“O” Ring—Vacuum Channel Tube
	THROTTLE BODY PARTS				
46	KIT ONLY				Gasket—Throttle Body
47	7015365				Screw—Throttle Body
48	7026594	7026617	7029554	7029502	Cam—Fast Idle
49	7003561				Screw—Cam Attaching
50	7011546	7011546	7029427	7029427	Screw—Fast Idle
51	7001690	7001690	7029428	7029428	Spring Fast Idle Screw
52	7002357				Needle—Idle Adjusting
53	7001666				Spring—Idle Needle
54	7028996				Choke Rod
55	NLA				Throttle Body Assembly
56	7012002				Nut—Choke Suction Tube
57	KIT ONLY				Packing—Choke Suction Tube
58	NLA				Choke Suction Tube Assembly
59	3953732				Flange Gasket

NLA—No Longer Available



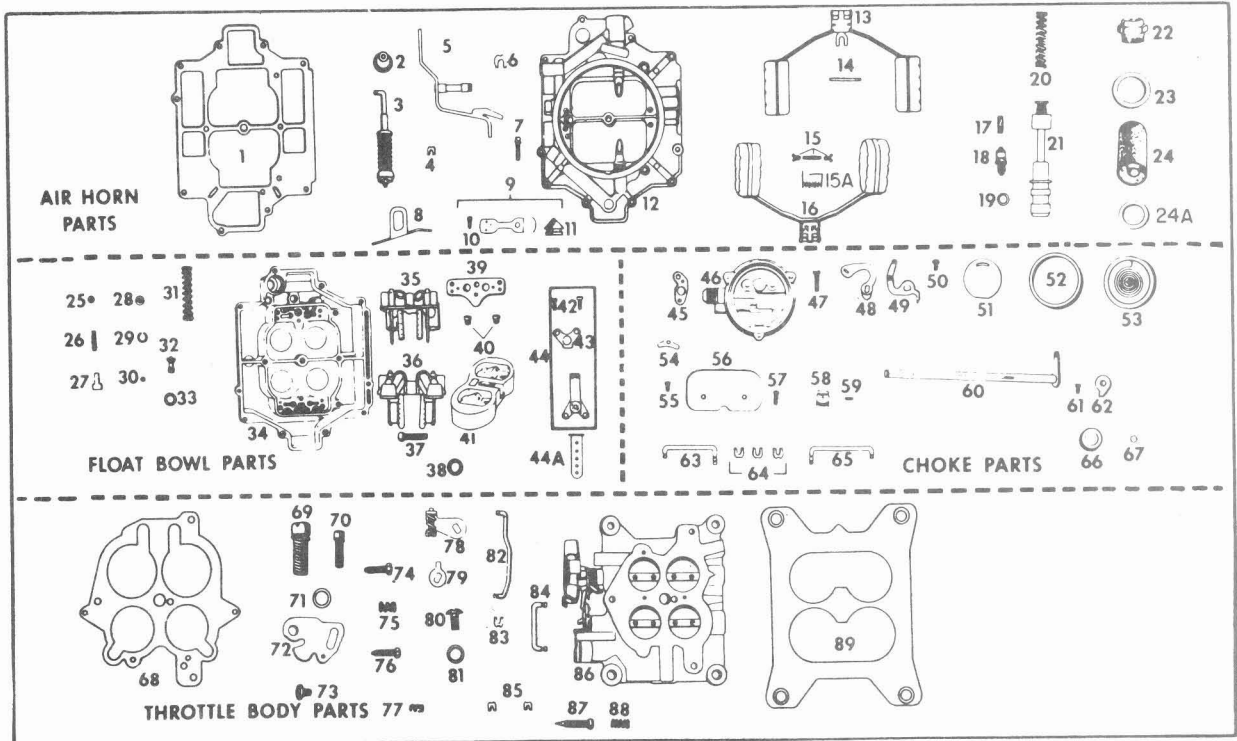
Delco Carburetor

MODEL 4GC CARBURETORS

1965 OLDSMOBILE

BULLETIN 9C-5007
DATE: NOVEMBER 1971
PAGE 1

PARTS SHOWN ARE FOR IDENTIFICATION ONLY. CONSULT PARTS LIST FOR CORRECT PART NAME AND NUMBER



PARTS IN ALL COLUMNS SAME EXCEPT WHERE INDICATED

	425 CU. IN. EARLY	425 CU. IN. LATE	400 CU. IN.	APPLICATION
	7025050	7025050	7025150	STANDARD CARBURETOR No.
	7025051	7025255	7025151	AIR CONDITIONED CARBURETOR No.
	24-522			REPLACEMENT PACKAGE No.
	7016439			OVERHAUL KIT
	9072			POWER CARBURETOR KIT
	40-297			GASKET SET
Illus. No.	AIR HORN PARTS			
1	7025649			Gasket—Air Horn
2	7006372			Boot—Pump Plunger
3	7022992			Pump Assembly
4	7005032			Clip—Pump Plunger
5	7013430			Pump Shaft and Lever Assembly
6	7007616			Clip—Pump Shaft
7	7000249			Screw—Air Horn
8	7012520			Shield—Idle Vent Valve
9	7012188			Idle Vent Valve Kit
10	7012548			Screw—Idle Vent Valve
11	7029993			Idle Vent Valve
12	NLA			Air Horn Assembly
13	7011945	7011945	7029794	Primary Float Assembly (Standard)
13	7011945	7029794	7029794	Primary Float Assembly (Air Cond.)
14	7001595			Pin—Float.Hinge
15	7001850	7001850	—	Float Balance Spring Assembly (Secondary Only)
15A	—	7028966	7028966	Torsion Spring (Secondary Only)
16	7012148	7012148	7028875	Secondary Float Assembly (Standard)
16	7012148	7028875	7028875	Secondary Float Assembly (Air Cond.)
17	7006079			Strainer—Needle Seat
18	30-11			Needle and Seat Assembly—Primary
18	30-7			Needle and Seat Assembly—Secondary
19	KIT ONLY			Gasket—Needle Seat
20	7012515			Spring—Power Piston
21	7011947			Power Piston Assembly

	7025050	7025050	7025150	STANDARD CARBURETOR No.
	7025051	7025255	7025151	AIR CONDITIONED CARBURETOR No.
Illus. No.	AIR HORN PARTS (Continued)			
22	7040954			Filter Nut
23	7032508			Gasket—Filter Nut
24	7013404			Filter—Fuel Inlet
24A	7013584			Gasket—Filter
	FLOAT BOWL PARTS			
25	7002117			Ball—Pump Discharge
26	7006059			Spring—Pump Discharge
27	7003838			Guide—Pump Discharge
28	7001604			Strainer—Pump Inlet
29	7001605			Retainer—Inlet Strainer
30	7002120			Ball—Pump Inlet Check
31	7008694			Spring—Pump Return
32	7037812			Power Valve Assembly
33	KIT ONLY			Gasket—Power Valve
34	NLA			Float Bowl Assembly
35	NLA			Venturi Cluster Assembly—Primary
36	NLA			Venturi Cluster Assembly—Secondary
37	7010421			Screw—Cluster Attaching
38	121841			Lockwasher—Cluster Screws
39	KIT ONLY			Gasket—Venturi Clusters
40	7002653			Jet—Primary
40	7008681			Jet—Secondary
41	7015174			Auxiliary Throttle Valve Assembly
42	7015127			Screw—Idle Compensator (Air Cond. Carbs)
43	7013341			Gasket—Idle Compensator (Air Cond. Carbs)
44	7028924			Idle Compensator Kit (Air Cond. Carbs)
44A	7021029			Insert—Main Well—Primary
	CHOKE PARTS			
45	7007502			Gasket—Choke Housing
46	7029551			Choke Housing Assembly
47	7019516			Screw—Choke Housing
48	NLA			Intermediate Choke Shaft Assembly
49	NLA			Choke Piston Lever and Link Assembly
50	7019709			Screw—Piston Lever
51	7035711			Baffle Plate
52	7002760			Gasket—Stat Cover
53	7031440	7031440	7029733	Stat Cover, Coil and Gasket Assembly
54	7000614			Retainer, Stat Cover
55	7011270			Screw—Stat Cover
56	7000191			Choke Valve
57	7007627			Screw—Choke Valve
58	7015332			Choke Piston
59	7010746			Pin—Choke Piston
60	7013828			Choke Shaft Assembly
61	7019709			Screw—Trip Lever
62	7000196			Trip Lever
63	7013853			Rod—Intermediate Choke
64	7005109			Clip—Intermediate and Choke Rods
65	7026418			Rod—Choke
66	7003135			Plug—Expansion
67	7002814			Plug—Lead Ball
	THROTTLE BODY PARTS			
68	KIT ONLY			Gasket—Throttle Body
69	7004324			Screw—Throttle Body—Large
70	7015105			Screw—Throttle Body—Small
71	121744			Lockwashers—Small Screws
72	7029534			Cam—Fast Idle
73	7003561			Screw—Cam Attaching
74	7011546			Fast Idle Screw
75	7001690			Spring—Fast Idle Screw
76	7002121			Idle Stop Screw
77	7009728			Spring—Idle Stop Screw
78	7026868			Fast Idle Lever Assembly
79	7013436			Lever—Secondary Lockout
80	7010435			Screw—Fast Idle and Secondary Lockout Levers
81	NLA			Washer—Spacer—Fast Idle and Sec. Lockout Levers
82	7028587			Rod—Pump
83	7005032			Clip—Pump Rod
84	7010352			Link—Secondary Lever
85	7005032			Clip—Secondary Lever Link
86	NLA			Throttle Body Assembly
87	7041621			Idle Needle
88	7011479			Spring—Idle Needle
89	573280			Gasket—Flange



Delco Carburetor

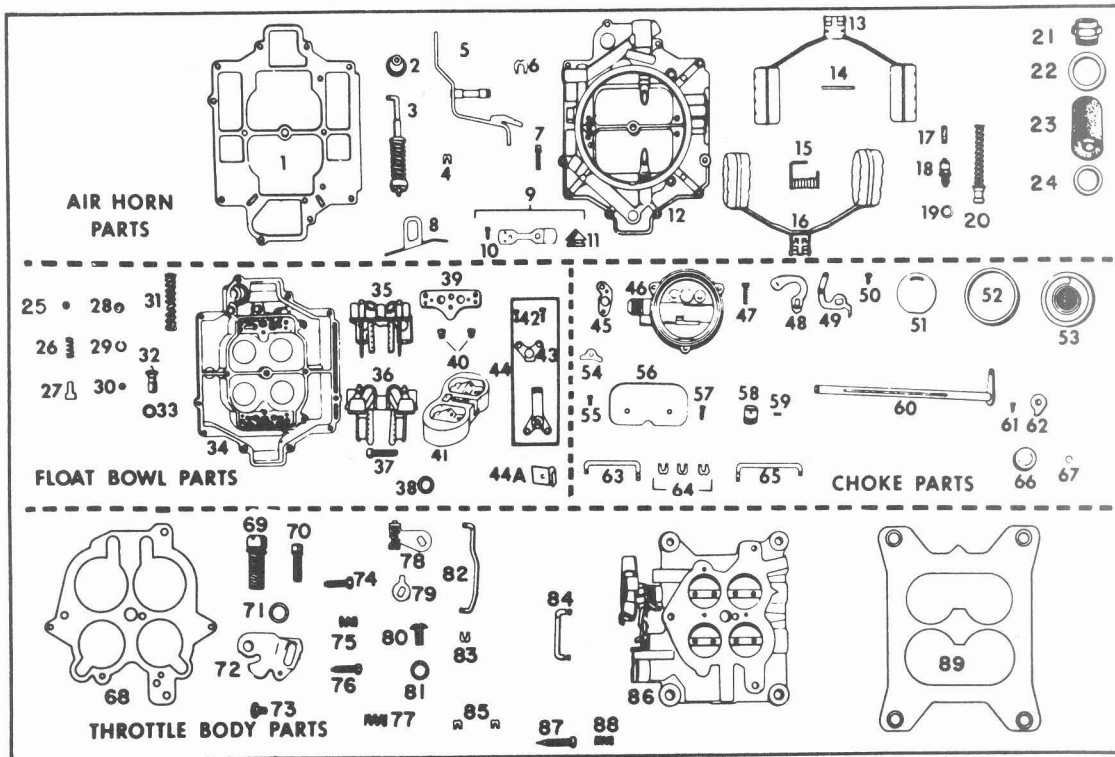
MODEL 4GC CARBURETORS

1965 OLDS F-85 & JETSTAR '88'

330 CUBIC INCH ENGINE

BULLETIN 9C-5008
DATE: NOVEMBER, 1971
PAGE 1

PARTS SHOWN ARE FOR IDENTIFICATION ONLY. CONSULT PARTS LIST FOR CORRECT PART NAME AND NUMBER



PARTS IN ALL COLUMNS SAME EXCEPT WHERE INDICATED

	AUTO. TRANS. STANDARD	AUTO. TRANS. AIR COND.	SYNCHROMESH STANDARD	SYNCHROMESH AIR COND.	APPLICATION
	7025054	7025157	7025055	7025158	CARBURETOR No.
	24-519				REPLACEMENT PACKAGE No.
	7016536				OVERHAUL KIT
	9068				POWER CARBURETOR KIT
	40-309				GASKET SET
Illus. No.	AIR HORN PARTS				
1	7028964				Gasket—Air Horn
2	7006372				Boot—Pump Plunger
3	7022978				Pump Assembly
4	7005032				Clip—Pump Plunger
5	7013430				Pump Shaft and Lever Assembly
6	7007616				Clip—Pump Shaft
7	7000249				Screw—Air Horn
8	7012520				Shield—Vent Valve
9	7012188				Idle Vent Valve Kit
10	7012548				Screw—Idle Vent Valve
11	7029993				Idle Vent Valve
12	NLA				Air Horn Assembly
13	7028875				Primary Float Assembly
14	7001595				Pin—Float Hinge
15	7029646				Torsion Spring
16	7028875				Secondary Float Assembly
17	7006079				Strainer—Needle Seat
18	30-11				Needle and Seat Assembly—Primary
18	30-7				Needle and Seat Assembly—Secondary
19	KIT ONLY				Gasket—Needle Seat
20	7025738				Power Piston Assembly
21	7040952				Strainer Nut
22	7032508				Gasket—Strainer Nut
23	7013404				Strainer—Fuel Inlet
24	7013584				Gasket—Filter

	7025054	7025157	7025055	7025158	CARBURETOR No.
Illus. No.	FLOAT BOWL PARTS				
25	7002117				Ball—Pump Discharge
26	7006059				Spring—Pump Discharge
27	7003838				Guide—Pump Discharge
28	7001604				Strainer—Pump Inlet
29	7001605				Retainer—Inlet Strainer
30	7002120				Ball—Pump Inlet Check
31	7004597				Spring—Pump Return
32	7011989				Power Valve Assembly
33	KIT ONLY				Gasket—Power Valve
34	NLA				Float Bowl Assembly
35	NLA				Venturi Cluster Assembly—Primary
36	NLA				Venturi Cluster Assembly—Secondary
37	7010421				Screw—Cluster Attaching
38	121841				Lockwasher—Cluster Screws
39	KIT ONLY				Gasket—Venturi Clusters
40	7002653	7002653	7002654	7002654	Jet—Primary
40	7008678	7008678	7008680	7008680	Jet—Secondary
41	7015174				Auxiliary—Throttle Valve Assembly
42	—	7015127	—	7015127	Screw—Idle Compensator
43	—	7013341	—	7013341	Gasket—Idle Compensator
44	—	7028924	—	7028924	Idle Compensator Kit
44A	—	7019644	—	7019644	Baffle—Main Metering—Primary
	CHOKE PARTS				
45	7007502				Gasket—Choke Housing
46	7029547				Choke Housing Assembly
47	7019516				Screw—Choke Housing
48	7013447				Intermediate Choke Shaft Assembly
49	7026684				Choke Piston Lever and Link Assembly
50	7019709				Screw—Piston Lever
51	7035711				Baffle Plate
52	7002760				Gasket—Stat Cover
53	7029733				Stat Cover, Coil and Gasket Assembly
54	7000614				Retainer—Stat Cover
55	7011270				Screw—Stat Cover
56	7000191				Choke Valve
57	7007627				Screw—Choke Valve
58	7015332				Choke Piston
59	7010746				Pin—Choke Piston
60	7013828				Choke Shaft Assembly
61	7019709				Screw—Trip Lever
62	7000196				Trip Lever
63	7013853				Rod—Intermediate Choke
64	7005109				Clip—Intermediate and Choke Rods
65	7026418				Rod—Choke
66	7003135				Plug—Expansion
67	7002814				Plug—Lead Ball
	THROTTLE BODY PARTS				
68	KIT ONLY				Gasket—Throttle Body
69	7004324				Screw—Throttle Body—Large
70	7015105				Screw—Throttle Body—Small
71	121744				Lockwasher—Small Screws
72	7029534				Cam—Fast Idle
73	7003561				Screw—Cam Attaching
74	7011546				Fast Idle Screw
75	7001690				Spring—Fast Idle Screw
76	7002121				Idle Stop Screw
77	7009728				Spring—Idle Stop Screw
78	7026868				Fast Idle Lever Assembly
79	7013436				Lever—Secondary Lockout
80	7010435				Screw—Fast Idle and Sec. Lockout Levers
81	NLA				Washer—Spacer—Fast Idle & Sec. Lock. Levers
82	7028587				Rod—Pump
83	7005032				Clip—Pump Rod
84	7010352				Link—Secondary Lever
85	7005032				Clip—Secondary Lever Link
86	NLA				Throttle Body Assembly
87	7041621				Idle Needle
88	7011479				Spring—Idle Needle
89	573280				Gasket—Flange



Delco Carburetor

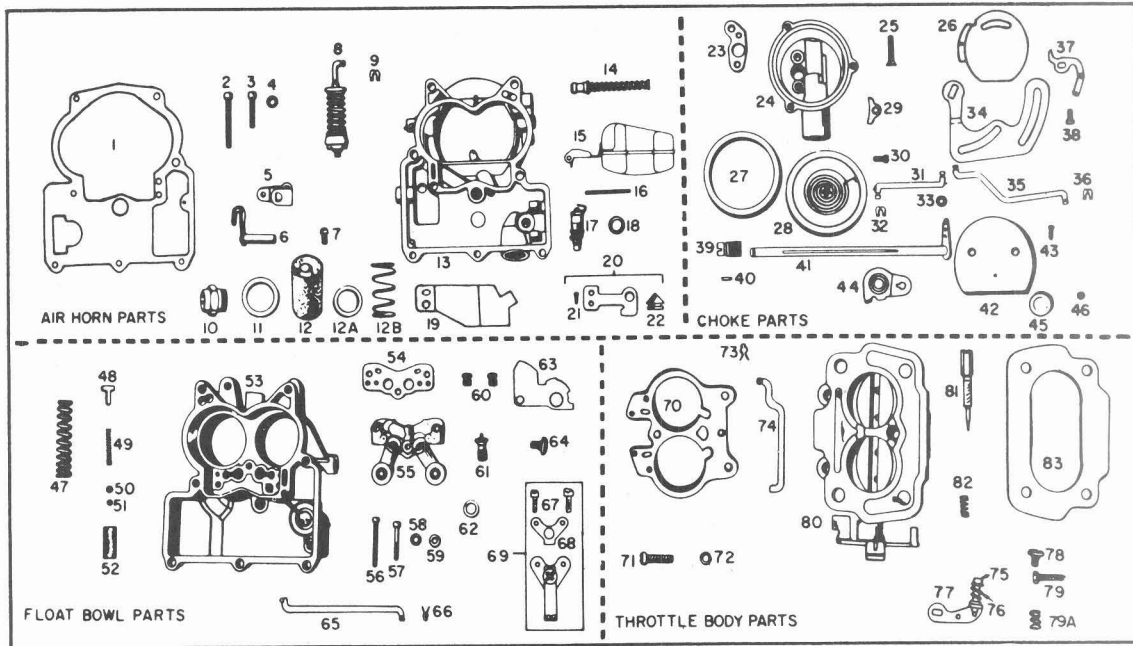
MODEL 2GC CARBURETORS

1965 OLDSMOBILE

425 CUBIC INCH V-8

BULLETIN 9C-5009
DATE: NOVEMBER, 1971
PAGE 1

PARTS SHOWN ARE FOR IDENTIFICATION ONLY. CONSULT PARTS LIST FOR CORRECT PART NAME AND NUMBER



PARTS IN ALL COLUMNS SAME - EXCEPT WHERE INDICATED

	AUTO. TRANS. STANDARD	ALL AIR COND.	SYNCHROMESH STANDARD	APPLICATION
	7025052	7025053	7025152	CARBURETOR No. (Early)
	7025252	7025253	7025254	CARBURETOR No. (Late)
	22-555			REPLACEMENT PACKAGE No.
	7016551			OVERHAUL KIT
	9069			POWER CARB. KIT (NEO-tip)
	9134			POWER CARB. KIT (STEEL)
	40-312			GASKET SET
Illus. No.	AIR HORN PARTS			
1	7026942			Gasket—Air Horn
2	7010432			Screw—Air Horn—Long
3	7006119			Screw—Air Horn—Short
4	120217			Lockwasher—Air Horn Screws
5	7032377			Lever—Pump—Inside
6	7036764			Pump Shaft and Lever Assembly
7	7011270			Screw—Pump Lever
8	7032280			Pump Assembly
9	7005032			Clip—Pump Plunger
10	7040954			Filter Nut
11	7032508			Gasket—Filter Nut
12	7013404			Filter—Fuel Inlet
12A	7032732			Spring—Filter
12B	7013584			Gasket—Filter
13	NLA			Air Horn Assembly
14	7006323	7006011	7006323	Power Piston Assembly
15	7021891			Float Assembly
16	7010037			Pin—Float Hinge
17	30-13			Needle and Seat Assembly (Neo-tip)
17	7019932			Needle and Seat Assembly (Steel)
18	KIT ONLY			Gasket—Needle Seat
—	7006474			Pull Clip—Float Needle
19	7012835			Shield—Idle Vent
20	7012252			Idle Vent Valve Kit

CO, WD, 131, 132:16, 9X, 9FR, 9FD

NLA—No Longer Available

PRINTED IN U.S.A.
©1971 GENERAL MOTORS CORP.

Illus. No.	7025052	7025053	7025152	CARBURETOR No. (EARLY)
	7025252	7025253	7025254	CARBURETOR No. (LATE)
AIR HORN PARTS (Continued)				
21	7012548			Screw—Idle Vent
22	7029993			Valve—Idle Vent
CHOKE PARTS				
23	7013995			Gasket—Choke Housing
24	7029549			Choke Housing Assembly (Early)
24	7031762			Choke Housing Assembly (Late)
25	7013704			Screw—Choke Housing (Early)
25	7019776			Screw—Choke Housing (Late)
26	7035711			Baffle Plate
27	7002760			Gasket—Stat Cover
28	7029727			Stat Cover, Coil and Gasket Assembly (Early)
28	7031484			Stat Cover, Coil and Gasket Assembly (Late)
29	7000614			Retainer—Stat Cover
30	7011270			Screw—Stat Cover
31	7016682			Rod—Choke
32	7005109			Clip—Choke Rod
33	7002287			Washer—Choke Rod
34	7017988			Intermediate Choke Shaft Assembly (Early)
34	7031759			Intermediate Choke Shaft Assembly (Late)
35	7016683			Intermediate Choke Rod
36	7005109			Clip—Intermediate Choke Rod
37	7026683			Choke Lever and Link Assembly
38	7019709			Screw—Piston Lever Attaching
39	7029699			Choke Piston (Early)
39	7031870			Choke Piston (Late)
40	7004748			Pin—Choke Piston (Early)
40	7010746			Pin—Choke Piston (Late)
41	7020667			Choke Shaft Assembly
42	7033443			Choke Valve
43	7007627			Screw—Choke Valve
44	7020669			Choke Lever and Collar Assembly
45	7003135			Plug—Expansion—Large
46	7006475			Plug—Expansion—Small
FLOAT BOWL PARTS				
47	7004597			Spring—Pump Return
48	7000286			Guide—Pump Discharge
49	7002118			Spring—Pump Discharge
50	7002117			Ball—Pump Discharge
51	7002120			Ball—Pump Inlet Check
52	7004557			Screen—Pump Inlet
53	NLA			Float Bowl Assembly
54	KIT ONLY			Gasket—Venturi Cluster
55	NLA			Venturi Cluster Assembly
56	7008502			Screw—Venturi Cluster—Outer
57	7009077			Screw—Venturi Cluster—Center
58	KIT ONLY			Gasket—Center Screw
59	120217			Lockwasher—Outer Screws
60	7008664			Jet—Standard
61	7011989			Power Valve Assembly
62	KIT ONLY			Gasket—Power Valve
63	7029533			Cam—Fast Idle
64	7003561			Screw—Cam Attaching
65	7020684			Rod—Choke Unloader
66	1875293			Clip—Unloader Rod
67	—	7015127	—	Screw—Idle Compensator
68	—	7013341	—	Gasket—Idle Compensator
69	—	7028924	—	Idle Compensator Kit
THROTTLE BODY PARTS				
70	KIT ONLY			Gasket—Throttle Body
71	7015105			Screw—Throttle Body
72	121744			Lockwasher—Throttle Body Screw
73	1875293			Clip—Pump Rod
74	7029658			Pump Rod
75	7013347			Fast Idle Screw
76	7001690			Spring—Fast Idle Screw
77	7035727			Fast Idle Lever Assembly
78	7010435			Screw—Fast Idle Lever
79	7002121			Idle Stop Screw
79A	7009728			Spring—Idle Stop Screw
80	NLA			Throttle Body Assembly
81	7041621			Idle Needle
82	7011479			Spring—Idle Needles
83	578912			Gasket—Flange



Delco Carburetor

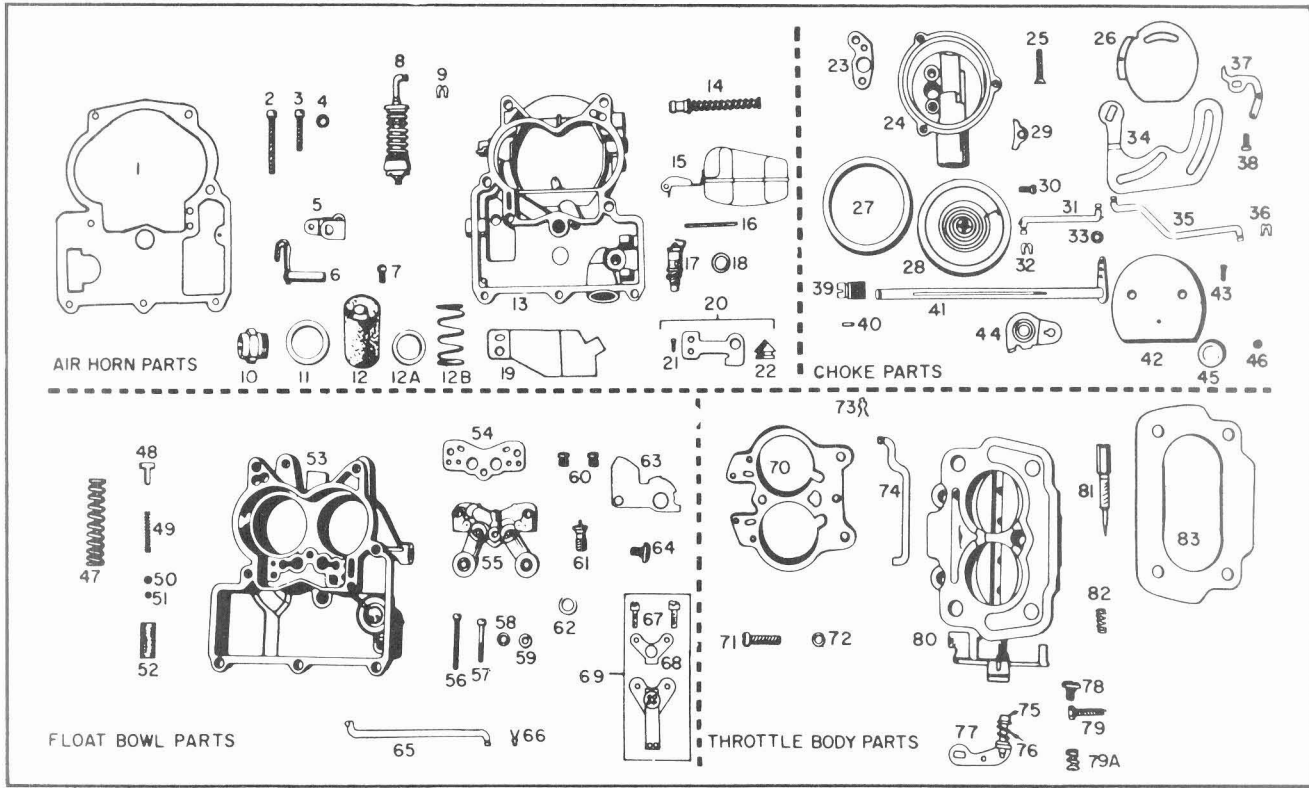
MODEL 2GC CARBURETORS

1965 OLDS F-85 & JETSTAR '88'

330 CUBIC INCH ENGINE

BULLETIN 9C-5010
 DATE: NOVEMBER, 1971
 PAGE 1

PARTS SHOWN ARE FOR IDENTIFICATION ONLY. CONSULT PARTS LIST FOR CORRECT PART NAME AND NUMBER



PARTS IN ALL COLUMNS SAME EXCEPT WHERE INDICATED

AUTO. TRANS. STANDARD	AUTO. TRANS. AIR COND.	MAN. TRANS. STANDARD	MAN. TRANS. AIR COND.	APPLICATION
7025056	7025156	7025058	7025159	CARBURETOR No. -F-85
7025056	7025057	7025058	7025159	CARB. No.-JETSTAR "88"
22-554				REPLACEMENT PACKAGE No.
7031420				OVERHAUL KIT
9073				POWER CARB. KIT (NEO-tiP)
9135				POWER CARB. KIT (STEEL)
40-312				GASKET SET

Illus. No.	AIR HORN PARTS				
1	7026942				Gasket-Air Horn
2	7010432				Screw-Air Horn-Long
3	7006119				Screw-Air Horn-Short
4	120217				Lockwasher-Air Horn Screws
5	7032377				Lever-Pump-Inside
6	7036764				Pump Shaft and Lever Assembly
7	7011270				Screw-Pump Lever
8	7032829				Pump Assembly
9	7005032				Clip-Pump Plunger
10	7040952				Filter Nut-Fuel Inlet
11	7032508				Gasket-Filter Nut
12	7013404				Filter-Fuel Inlet
12A	7013584				Gasket-Filter
12B	7032732				Spring-Fuel Filter
13	NLA				Air Horn Assembly
14	7006323				Power Piston Assembly
15	7021891				Float Assembly
16	7010037				Pin-Float Hinge
17	30-13				Needle and Seat Assembly (Neo-tiP)
17	7019932				Needle and Seat Assembly (Steel)
18	KIT ONLY				Gasket-Needle Seat
19	7012835				Shield-Idle Vent

	7025056	7025156	7025058	7025159	CARBURETOR NO.—F-85
	7025056	7025057	7025058	7025159	CARB. No.—JETSTAR "88"
Illus. No.	AIR HORN PARTS (Continued)				
20	7012252				Idle Vent Valve Kit
21	7012548				Screw—Idle Vent
22	7029993				Valve—Idle Vent
	CHOKE PARTS				
23	7013995				Gasket—Choke Housing
24	7034288				Choke Housing Assembly
25	7013704				Screw—Choke Housing
26	7035711				Baffle Plate
27	7002760				Gasket—Stat Cover
28	7029727				Stat Cover, Coil and Gasket Assembly
29	7000614				Retainer—Stat Cover
30	7011270				Screw—Stat Cover
31	7016682				Rod—Choke
32	7005109				Clip—Choke Rod
33	7002287				Washer—Choke Rod
34	7017988				Intermediate Choke Shaft Assembly
35	7016683				Intermediate Choke Rod
36	7005109				Clip—Intermediate Choke Rod
37	7026683				Choke Lever and Link Assembly
38	7019709				Screw—Piston Lever Attaching
39	7029699				Choke Piston
40	7004748				Pin—Choke Piston
41	7020667				Choke Shaft Assembly
42	7033443				Choke Valve
43	7007627				Screw—Choke Valve
44	7020669				Choke Lever and Collar Assembly
45	7003135				Plug—Expansion—Large
46	7006475				Plug—Expansion—Small
	FLOAT BOWL PARTS				
47	7004597				Spring—Pump Return
48	7000286				Guide—Pump Discharge
49	7002118				Spring—Pump Discharge
50	7002117				Ball—Pump Discharge
51	7002120				Ball—Pump Inlet Check
52	7004557				Screen—Pump Inlet
53	NLA				Float Bowl Assembly
54	KIT ONLY				Gasket—Venturi Cluster
55	NLA				Venturi Cluster Assembly
56	7008502				Screw—Venturi Cluster—Outer
57	7009077				Screw—Venturi Cluster—Center
58	KIT ONLY				Gasket—Center Screw
59	120217				Lockwasher—Outer Screws
60	7008663				Jet—Standard
61	7011989				Power Valve Assembly
62	KIT ONLY				Gasket—Power Valve
63	7029533				Cam—Fast Idle
64	7003561				Screw—Cam Attaching
65	7020684				Rod—Choke Unloader
66	1875293				Clip—Unloader Rod
67	—	7015127	—	7015127	Screw—Idle Compensator
68	—	7013341	—	7013341	Gasket—Idle Compensator
69	—	7028924	—	7028924	Idle Compensator Kit
	THROTTLE BODY PARTS				
70	KIT ONLY				Spacer—Throttle Body
71	7015105				Screw—Throttle Body
72	121744				Lockwasher—Throttle Body Screw
73	1875293				Clip—Pump Rod
74	7029658				Pump Rod
75	7013347				Fast Idle Screw
76	7001690				Spring—Fast Idle Screw
77	7035727				Fast Idle Lever Assembly
78	7010435				Screw—Fast Idle Lever
79	7002121				Idle Stop Screw
79A	7009728				Spring—Idle Stop Screw
80	NLA				Throttle Body Assembly
81	7041621				Idle Needle
82	7011479				Spring—Idle Needles
83	578912				Gasket—Flange



Delco Carburetor

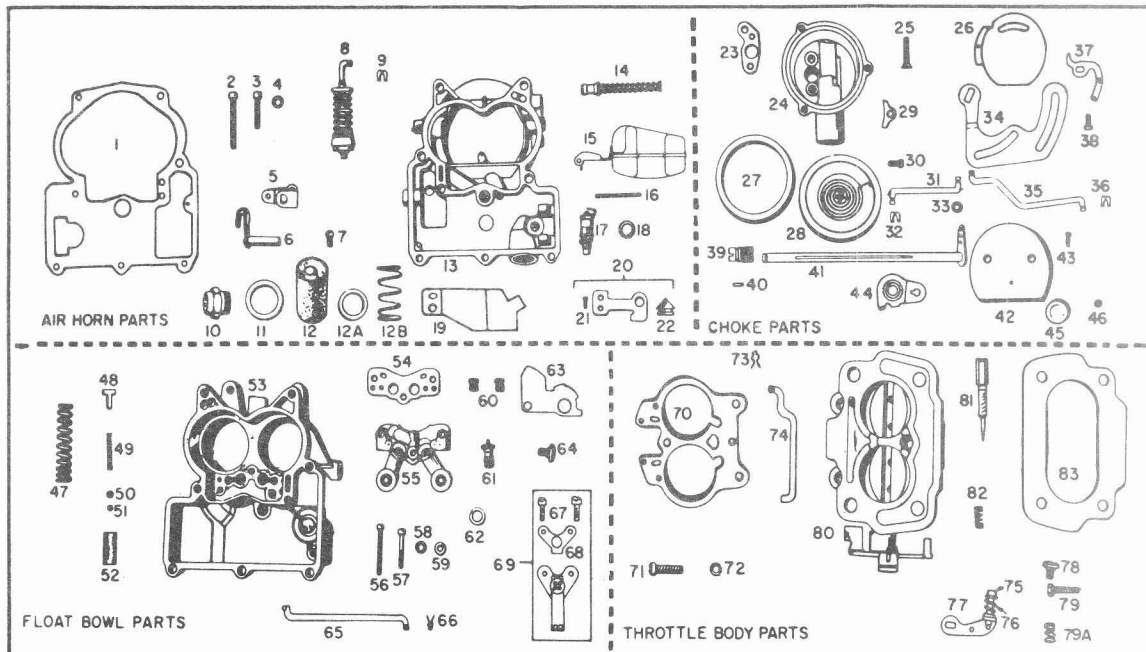
MODEL 2GC CARBURETORS

1966 OLDSMOBILE

425 CUBIC INCH V-8

BULLETIN 9C-5011
DATE: NOVEMBER, 1971
PAGE 1

PARTS SHOWN ARE FOR IDENTIFICATION ONLY. CONSULT PARTS LIST FOR CORRECT PART NAME AND NUMBER



PARTS IN ALL COLUMNS SAME EXCEPT WHERE INDICATED

	AUTO. TRANS. STANDARD	AUTO. TRANS. AIR COND.	MAN. TRANS. STANDARD	MAN. TRANS. AIR COND.	APPLICATION
	7026052	7026053	7026054	7026053	CARBURETOR No. (W/O A.I.R.)
	7036052	7036053	—	—	CARBURETOR No. (A.I.R.)
	22-555				REPLACEMENT PKG. No.
	7016551				OVERHAUL KIT
	9069				POWER CARB. KIT (NEO-tiP)
	9134				POWER CARB. KIT (STEEL)
	40-312				GASKET SET
Illus. No.	AIR HORN PARTS				
1	7026942				Gasket—Air Horn
2	7010432				Screw—Air Horn—Long
3	7006119				Screw—Air Horn—Short
4	120217				Lockwasher—Air Horn Screws
5	7032377				Lever—Pump—Inside
6	7036764				Pump Shaft and Lever Assembly
7	7011270				Screw—Pump Lever
8	7032280				Pump Assembly
9	7005032				Clip—Pump Plunger
10	7040954				Filter Nut
11	7032508				Gasket—Filter Nut
12	7013404				Filter—Fuel Inlet
12A	7032732				Spring—Filter
12B	7013584				Gasket—Filter
13	NLA				Air Horn Assembly
14	7009718	7006011	7009718	7009718	Power Piston Assembly
15	7021891				Float Assembly
16	7010037				Pin—Float Hinge
17	30-13				Needle and Seat Assembly (Neo-tiP)
17	7019932				Needle and Seat Assembly (Steel)
18	KIT ONLY				Gasket—Needle Seat
—	7006474				Pull Clip—Float Needle
19	7012835				Shield—Idle Vent
20	7012252				Idle Vent Valve Kit
21	7012548				Screw—Idle Vent
22	7029993				Valve—Idle Vent

	7026052	7026053	7026054	7026053	CARBURETOR No. (W/O A.I.R.)
	7036052	7036053	—	—	CARBURETOR No. (A.I.R.)
	CHOKE PARTS				
Illus. No.					
23	7013995				Gasket—Choke Housing
24	7034287				Choke Housing Assembly
25	7019776				Screw—Choke Housing
26	7035711				Baffle Plate
27	7002760				Gasket—Stat Cover
28	7031484				Stat Cover, Coil and Gasket Assembly
29	7000614				Retainer—Stat Cover
30	7011270				Screw—Stat Cover
31	7016682				Rod—Choke
32	7005109				Clip—Choke Rod
33	7002287				Washer—Choke Rod
34	7031759				Intermediate Choke Shaft Assembly
35	7016683				Intermediate Choke Rod
36	7005109				Clip—Intermediate Choke Rod
37	7026664				Choke Lever and Link Assembly
38	7019709				Screw—Piston Lever Attaching
39	7031870				Choke Piston
40	7010746				Pin—Choke Piston
41	7020667				Choke Shaft Assembly
42	7033443				Choke Valve
43	7007627				Screw—Choke Valve
44	7020669				Choke Lever and Collar Assembly
45	7003135				Plug—Expansion—Large
46	7006475				Plug—Expansion—Small
	FLOAT BOWL PARTS				
47	7004597				Spring—Pump Return
48	7000286				Guide—Pump Discharge
49	7002118				Spring—Pump Discharge
50	7002117				Ball—Pump Discharge
51	7002120				Ball—Pump Inlet Check
52	7004557				Screen—Pump Inlet
53	NLA				Float Bowl Assembly
54	KIT ONLY				Gasket—Venturi Cluster
55	NLA				Venturi Cluster Assembly
56	7008502				Screw—Venturi Cluster—Outer
57	7009077				Screw—Venturi Cluster—Center
58	KIT ONLY				Gasket—Center Screw
59	120217				Lockwasher—Outer Screws
60	7008664				Jet—Standard
61	7011989				Power Valve Assembly
62	KIT ONLY				Gasket—Power Valve
63	7029533				Cam—Fast Idle
64	7003561				Screw—Cam Attaching
65	7020684				Rod—Choke Unloader
66	1875293				Clip—Unloader Rod
67	—	7015127	—	7015127	Screw—Idle Compensator
68	—	7013341	—	7013341	Gasket—Idle Compensator
69	—	7028924	—	7028924	Idle Compensator Kit
	THROTTLE BODY PARTS				
70	KIT ONLY				Gasket—Throttle Body
71	7015105				Screw—Throttle Body
72	121744				Lockwasher—Throttle Body Screw
73	1875293				Clip—Pump Rod
74	7029658				Pump Rod
75	7013347				Fast Idle Screw
76	7001690				Spring—Fast Idle Screw
77	7035727				Fast Idle Lever Assembly
78	7010435				Screw—Fast Idle Lever
79	7002121				Idle Stop Screw
79A	7009728				Spring—Idle Stop Screw
80	NLA				Throttle Body Assembly
81	7041621				Idle Needle
82	7011479				Spring—Idle Needles
83	578912				Gasket—Flange

7027290

Intake Air Bleed Valve Assembly A.I.R.

NLA — No Longer Available



Delco Carburetor

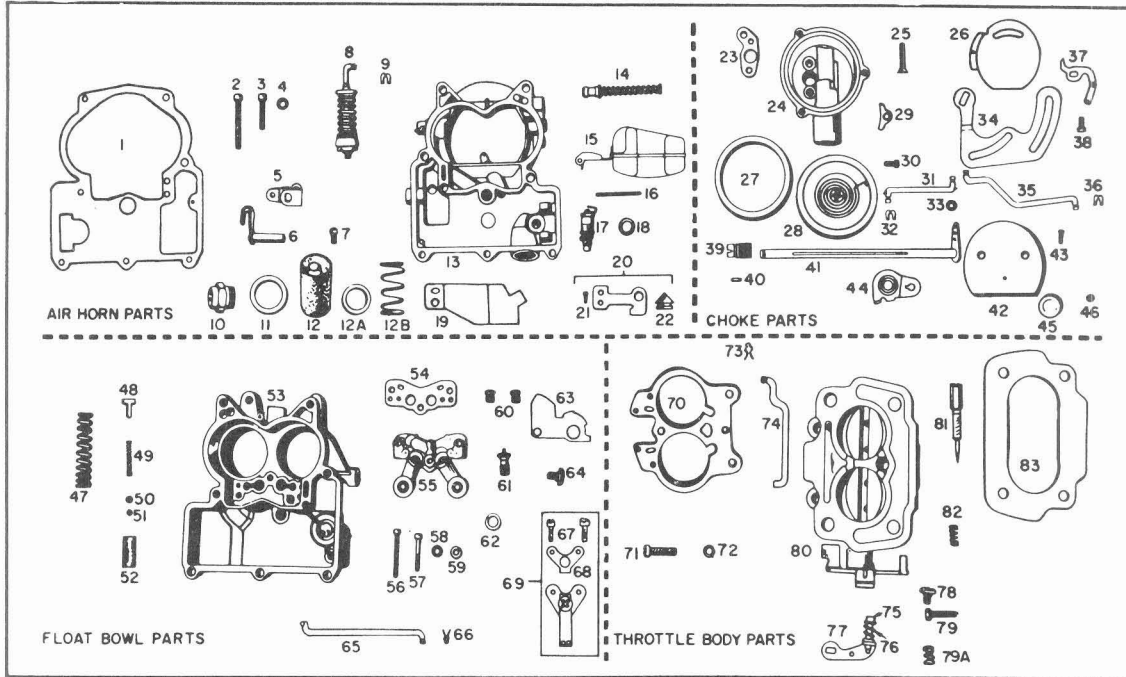
MODEL 2GC CARBURETORS

1966 OLDS F-85 & JETSTAR '88'

330 CUBIC INCH ENGINE

BULLETIN 9C-5012
 DATE: NOVEMBER 1971
 PAGE 1

PARTS SHOWN ARE FOR IDENTIFICATION ONLY, CONSULT PARTS LIST FOR CORRECT PART NAME AND NUMBER



PARTS IN ALL COLUMNS SAME – EXCEPT WHERE INDICATED

	W/O A.I.R. STANDARD	W/O A.I.R. AIR COND.	A.I.R. STANDARD	A.I.R. AIR COND.	APPLICATION
	7026058	7026059	7036058	7036159	CARBURETOR No.
	22-554				REPLACEMENT PACKAGE No.
	7031420				OVERHAUL KIT
	9073				POWER CARB. KIT (NEO-tiP)
	9135				POWER CARB. KIT (STEEL)
	40-312				GASKET SET
Illus. No.	AIR HORN PARTS				
1	7026942				Gasket – Air Horn
2	7010432				Screw – Air Horn – Long
3	7006119				Screw – Air Horn – Short
4	120217				Lockwasher – Air Horn Screws
5	7032377				Lever – Pump – Inside
6	7036764				Pump Shaft and Lever Assembly
7	7011270				Screw – Pump Lever
8	7032829				Pump Assembly
9	7005032				Clip – Pump Plunger
10	7040954				Filter Nut – Fuel Inlet
11	7032508				Gasket – Filter Nut
12	7013404				Filter – Fuel Inlet
12A	7013584				Gasket – Filter
12B	7032732				Spring – Fuel Filter
13	NLA				Air Horn Assembly
14	7009718				Power Piston Assembly
15	7021891				Float Assembly
16	7010037				Pin – Float Hinge
17	30-13				Needle and Seat Assembly (Neo-tiP)
17	7019932				Needle and Seat Assembly (Steel)
18	KIT ONLY				Gasket – Needle Seat
–	7006474				Pull Clip – Float Needle
19	7012835				Shield – Idle Vent
20	7012252				Idle Vent Valve Kit
21	7012548				Screw – Idle Vent
22	7029993				Valve – Idle Vent

CO, WD, 131, 132:16, 9X, 9FR, 9FD

A.I.R. – Air Injection Reactor
 NLA – No Longer Available

PRINTED IN U.S.A.
 ©1971 GENERAL MOTORS CORP.

	7026058	7026059	7036058	7036159	CARBURETOR No.
Illus. No.	CHOKE PARTS				
23	7013995				Gasket – Choke Housing
24	7034288				Choke Housing Assembly
25	7013704				Screw – Choke Housing
26	7035711				Baffle Plate
27	7002760				Gasket – Stat Cover
28	7029727				Stat Cover, Coil and Gasket Assembly
29	7000614				Retainer – Stat Cover
30	7011270				Screw – Stat Cover
31	7016682				Rod – Choke
32	7005109				Clip – Choke Rod
33	7002287				Washer – Choke Rod
34	7017988				Intermediate Choke Shaft Assembly
35	7016683				Intermediate Choke Rod
36	7005109				Clip – Intermediate Choke Rod
37	7026683				Choke Lever and Link Assembly
38	7019709				Screw – Piston Lever Attaching
39	7029699				Choke Piston
40	7004748				Pin – Choke Piston
41	7020667				Choke Shaft Assembly
42	7033443				Choke Valve
43	7007627				Screw – Choke Valve
44	7020669				Choke Lever and Collar Assembly
45	7003135				Plug – Expansion – Large
46	7006475				Plug – Expansion – Small
	FLOAT BOWL PARTS				
47	7004597				Spring – Pump Return
48	7000286				Guide – Pump Discharge
49	7002118				Spring – Pump Discharge
50	7002117				Ball – Pump Discharge
51	7002120				Ball – Pump Inlet Check
52	7004557				Screen – Pump Inlet
53	NLA				Float Bowl Assembly
54	KIT ONLY				Gasket – Venturi Cluster
55	NLA				Venturi Cluster Assembly
56	7008502				Screw – Venturi Cluster – Outer
57	7009077				Screw – Venturi Cluster – Center
58	KIT ONLY				Gasket – Center Screw
59	120217				Lockwasher – Outer Screws
60	7008663				Jet – Standard
61	7011989				Power Valve Assembly
62	KIT ONLY				Gasket – Power Valve
63	7029533				Cam – Fast Idle
64	7003561				Screw – Cam Attaching
65	7020684				Rod – Choke Unloader
66	1875293				Clip – Unloader Rod
67	–	7015127	–	7015127	Screw – Idle Compensator
68	–	7013341	–	7013341	Gasket – Idle Compensator
69	–	7028924	–	7028924	Idle Compensator Kit
	THROTTLE BODY PARTS				
70	KIT ONLY				Spacer – Throttle Body
71	7015105				Screw – Throttle Body
72	121744				Lockwasher – Throttle Body Screw
73	1875293				Clip – Pump Rod
74	7029658				Pump Rod
75	7013347				Fast Idle Screw
76	7001690				Spring – Fast Idle Screw
77	7020681				Fast Idle Lever Assembly
78	7010435				Screw – Fast Idle Lever
79	7002121				Idle Stop Screw
79A	7009728				Spring – Idle Stop Screw
80	NLA				Throttle Body Assembly
81	7041621				Idle Needle
82	7011479				Spring – Idle Needles
83	578912				Gasket – Flange

7027290	Intake Air Bleed Valve Assembly – A.I.R.
---------	--

NLA – No Longer Available

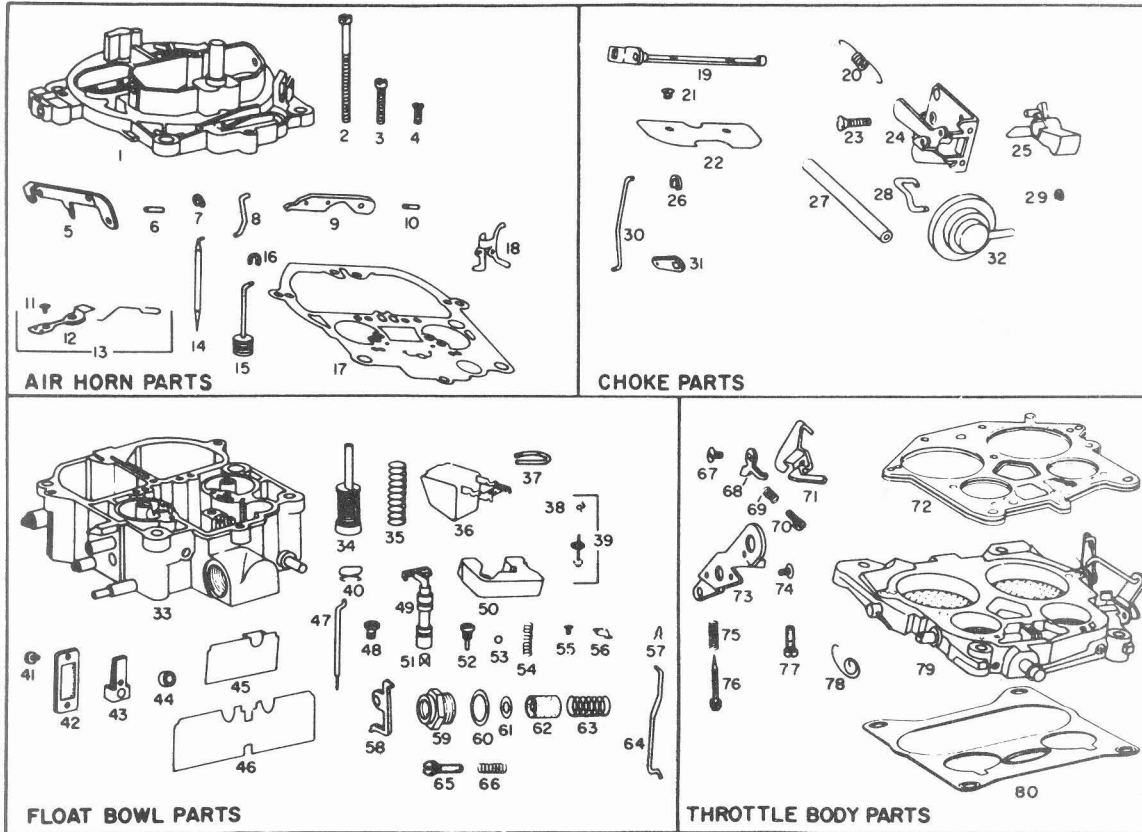


Delco Carburetor

MODEL 4MV QUADRAJET 1966 OLDSMOBILE

BULLETIN 9C-5013
DATE: NOVEMBER 1971
PAGE 1

PARTS SHOWN ARE FOR IDENTIFICATION ONLY. CONSULT PARTS LIST FOR CORRECT PART NAME AND NUMBER



PARTS IN ALL COLUMNS SAME – EXCEPT WHERE INDICATED

	400 & 425 STANDARD	330 STANDARD	400 JETAWAY	330 JETAWAY	APPLICATION
	7026250	7026254	7026256	7026255	CARBURETOR No. (W/O A.I.R.)
	7036250	7036254	—	—	CARBURETOR No. (A.I.R.)
	24-551	24-544	24-528	24-527	REPLACEMENT PACKAGE No.
	7016652				OVERHAUL KIT
	9084				POWER CARB. KIT
	40-325				GASKET SET
Illus. No.	AIR HORN PARTS				
1	NLA				Air Horn Assembly
2	7029912				Screw – Air Horn
3	7014699				Screw – Air Horn
4	7031105				Screw – Air Horn
5	7032733				Lever – Dash Pot Actuating
6	9428787				Roll Pin – Dash Pot Lever
7	7005109				Clip – Air Valve Rod
8	7031225				Rod – Air Valve
9	7026139				Lever – Pump Actuating
10	9428787				Roll Pin – Pump and Lockout Levers
11	7012548				Screw – Idle Vent Valve
12	7029993				Valve – Idle Vent
13	7031423				Idle Vent Valve Kit
14	7033655	7033658	7033655	7033658	Metering Rod – Secondary
15	7032503				Dash Pot Assembly
16	7005109				Clip – Dash Pot Rod
17	7029087				Gasket – Air Horn
18	7031393				Lockout Lever – Air Valve
–	7034522				Secondary Metering Rod Holder Kit
–	7035344				Air Valve Spring and Cam Kit

Illus. No.	7026250	7026254	7026256	7026255	CARBURETOR No.
	7036250	7036254			CARBURETOR No.
CHOKE PARTS					
19	7036430				Choke Shaft and Valve Kit
20	7032797				Spring – Vacuum Break Modulating
21	7029866				Screw – Choke Valve
22	NSS				Choke Valve
23	7031025				Screw – Vacuum Break Control
24	7032943				Vacuum Break Control Bracket Assembly
25	7031108				Cam – Fast Idle
26	7032726				Clip – Choke Rod
27	7026339				Hose – Vacuum
28	7031392				Rod – Vacuum Break
29	7005109				Clip – Vacuum Break Rod
30	7032727				Rod – Choke
31	7031231				Lever – Intermediate Choke
32	7031101				Vacuum Break Control Assembly
FLOAT BOWL PARTS					
33	NLA				Float Bowl Assembly
34	7029989				Pump Assembly
35	7004597				Spring – Pump Return
36	7029854				Float Assembly
37	7029856				Hinge Pin – Float
38	7029885				Pull Clip – Float Needle
39	30-98 (See Note)				Float Needle and Diaphragm Assembly
40	7029862				Spring – Metering Rod – Primary
41	7020926				Screw – Cover Attaching
42	7029865				Cover – Idle Compensator
43	7032725				Idle Compensator Assembly
44	7027970				Gasket – Idle Compensator
45	–				Baffle – Float Bowl
46	7031365				Baffle Plate – Float Bowl
47	7031844				Metering Rod – Primary
48	7031971				Metering Jet – Primary
49	7032979				Power Piston Assembly
50	7034666				Insert – Float Bowl
51	7034339				Retainer – Power Piston
52	7029849				Retainer – Pump Discharge Ball
53	7002117				Ball – Pump Discharge
54	7029922				Spring – Power Piston
55	7007090				Screw – Diaphragm Retainer
56	7031377				Retainer – Float Needle Diaphragm
57	836159				Clip – Pump Rod
58	–				Lockout Lever – Secondary
59	7040954				Filter Nut – Fuel Inlet (See Note 2)
60	7032508				Gasket – Inlet Nut
61	7013584				Gasket – Filter
62	7013404				Filter – Fuel Inlet
63	7032732				Spring – Inlet Filter
64	7032716				Rod – Pump
65	7002121				Screw – Idle Stop
66	7003176				Spring – Idle Stop Screw
THROTTLE BODY PARTS					
67	7010435				Screw – Cam and Fast Idle Levers
68	7043671				Lever – Fast Idle
69	7029900				Spring – Fast Idle Screw
70	7029899				Screw – Fast Idle
71	7033907				Lever – Cam Follower
72	KIT ONLY				Gasket – Throttle Body
73	–				Throttle Lever – Primary
74	–				Screw – Throttle Lever
75	7011479				Spring – Idle Needle
76	7041621				Needle – Idle Adjusting
77	7029891				Screw – Throttle Body
78	7031901				Spring – Cam Follower Lever
79	NLA				Throttle Body Assembly
80	408597				Gasket – Flange

NSS – Not Serviced Separately
 NLA – No Longer Available

NOTE 1: For conventional needle and seat replacement, use 7036775 modification kit.

NOTE 2: For stripped threads, replace with 7041634 adaptor kit.

ACCESSORIES	
7036094	Manifold Stat Coil Assembly – 425 Cu. In. – Low Manifold
7036095	Manifold Stat Coil Assembly – All Other
7027290	Intake Air Bleed Valve Assembly – (7036254)
7027291	Intake Air Bleed Valve Assembly (7036250)
7029987	Link – Manifold Stat – Low Manifold
7033487	Link – Manifold Stat – All Other

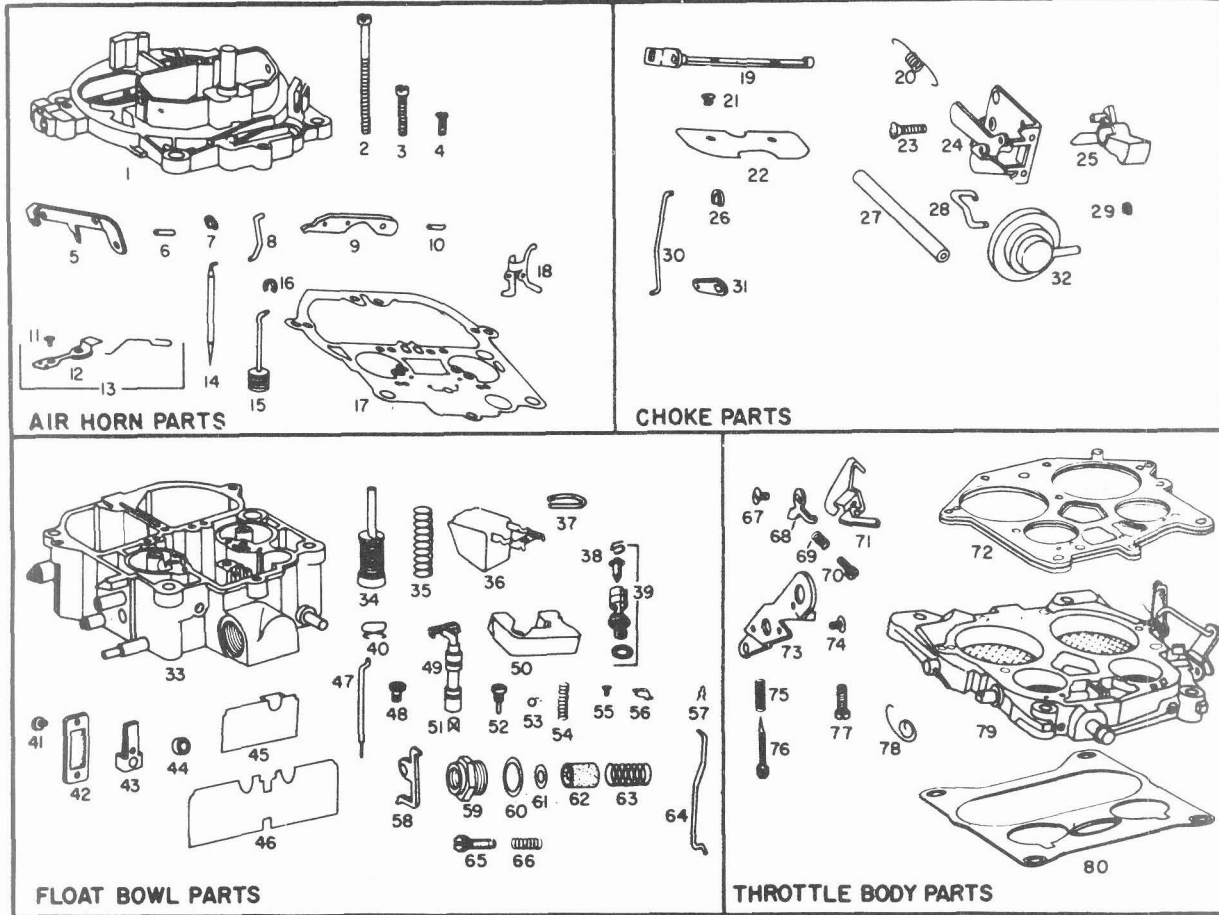


Delco Carburetor

MODEL 4MV QUADRAJET
1966 OLDSMOBILE
SERVICE CARBURETOR

BULLETIN 9C-5014
DATE: NOVEMBER 1971
PAGE 1

PARTS SHOWN ARE FOR IDENTIFICATION ONLY. CONSULT PARTS LIST FOR CORRECT PART NAME AND NUMBER



PARTS IN ALL COLUMNS SAME - EXCEPT WHERE INDICATED

Illus. No.	400 & 425 STANDARD	330 STANDARD	400 & 425 JETAWAY	330 JETAWAY	APPLICATION
	7041312	7041313	7041310	7041311	CARBURETOR No.
	24-551	24-544	24-528	24-527	REPLACEMENT PACKAGE No.
	7041373				OVERHAUL KIT
	9193				POWER CARBURETOR KIT
40-347				GASKET SET	
	AIR HORN PARTS				
1	NLA				Air Horn Assembly
2	7029912				Screw - Air Horn
3	7014699				Screw - Air Horn
4	7031105				Screw - Air Horn
5	7032733				Lever - Dash Pot Actuating
6	9428787				Roll Pin - Dash Pot Lever
7	7005109				Clip - Air Valve Rod
8	7031225				Rod - Air Valve
9	7026139				Lever - Pump Actuating
10	9428787				Roll Pin - Pump and Lockout Levers
11	7012548				Screw - Idle Vent Valve
12	7029993				Valve - Idle Vent
13	7031423				Idle Vent Valve Kit
14	7033655	7033658	7033655	7033658	Metering Rod - Secondary
15	7032503				Dash Pot Assembly
16	7005109				Clip - Dash Pot Rod
17	7029087				Gasket - Air Horn
18	7031393				Lockout Lever - Air Valve
-	7034522				Secondary Metering Rod Holder Kit
-	7035344				Air Valve Spring and Cam Kit

	7041312	7041313	7041310	7041311	CARBURETOR No.
Illus. No.	CHOKE PARTS				
19	7036430				Choke Shaft and Lever Kit
20	7032797				Spring – Vacuum Break Modulating
21	7029866				Screw – Choke Valve
22	7036021				Choke Valve
23	7031925				Screw – Vacuum Break Control
24	7032943				Vacuum Break Control Bracket Assembly
25	7031108				Cam – Fast Idle
26	7032726				Clip – Choke Rod
27	7026339				Hose – Vacuum
28	7031392				Rod – Vacuum Break
29	7005109				Clip – Vacuum Break Rod
30	7032727				Rod – Choke
31	7031231				Lever – Intermediate Choke
32	7031101				Vacuum Break Control Assembly
	FLOAT BOWL PARTS				
33	NLA				Float Bowl Assembly
34	7029989				Pump Assembly
35	7004597				Spring – Pump Return
36	7033752				Float Assembly
37	7029856				Hinge Pin – Float
38	7033751				Pull Clip – Float Needle
39	30-140				Needle & Seat Assembly
40	7029862				Spring – Metering Rod – Primary
41	7020926				Screw – Cover Attaching
42	7029865				Cover – Idle Compensator
43	7032725				Idle Compensator Assembly
44	7027970				Gasket – Idle Compensator
45	–				Baffle – Float Bowl
46	7031365				Baffle Plate – Float Bowl
47	7031844				Metering Rod – Primary
48	7031971				Metering Jet – Primary
49	7032979				Power Piston Assembly
50	7034361				Insert – Float Bowl
51	7034339				Retainer – Power Piston
52	7029849				Retainer – Pump Discharge Ball
53	7002117				Ball – Pump Discharge
54	7029922				Spring – Power Piston
55	–				Screw – Diaphragm Retainer
56					Retainer – Float Needle Diaphragm
57	836159				Clip – Pump Rod
58	–				Lockout Lever – Secondary
59	7040954				Filter Nut – Fuel Inlet (See Note)
60	7032508				Gasket – Inlet Nut
61	7013584				Gasket – Filter
62	7013404				Filter – Fuel Inlet
63	7032732				Spring – Inlet Filter
64	7032716				Rod – Pump
65	7002121				Screw – Idle Stop
66	7003176				Spring – Idle Stop Screw
	THROTTLE BODY PARTS				
67	7010435				Screw – Cam and Fast Idle Levers
68	7043671				Lever – Fast Idle
69	7029900				Spring – Fast Idle Screw
70	7029899				Screw – Fast Idle
71	7033907				Lever – Cam Follower
72	KIT ONLY				Gasket – Throttle Body
73	–				Throttle Lever – Primary
74	–				Screw – Throttle Lever
75	7011479				Spring – Idle Needle
76	7041621				Needle – Idle Adjusting
77	7029891				Screw – Throttle Body
78	7031901				Spring – Cam Follower Lever
79	NLA				Throttle Body Assembly
80	408597				Gasket – Flange

NLA – NO LONGER AVAILABLE

ACCESSORIES	
7036094	Manifold Stat Coil Assembly – 425 Cu. In. – Low Manifold
7036095	Manifold Stat Coil Assembly – All Other
7027290	Intake Air Bleed Valve Assembly – (7041313)
7027291	Intake Air Bleed Valve Assembly (7041312)
7029987	Link – Manifold Stat – Low Manifold
7033487	Link – Manifold Stat – All Other



Delco Carburetor

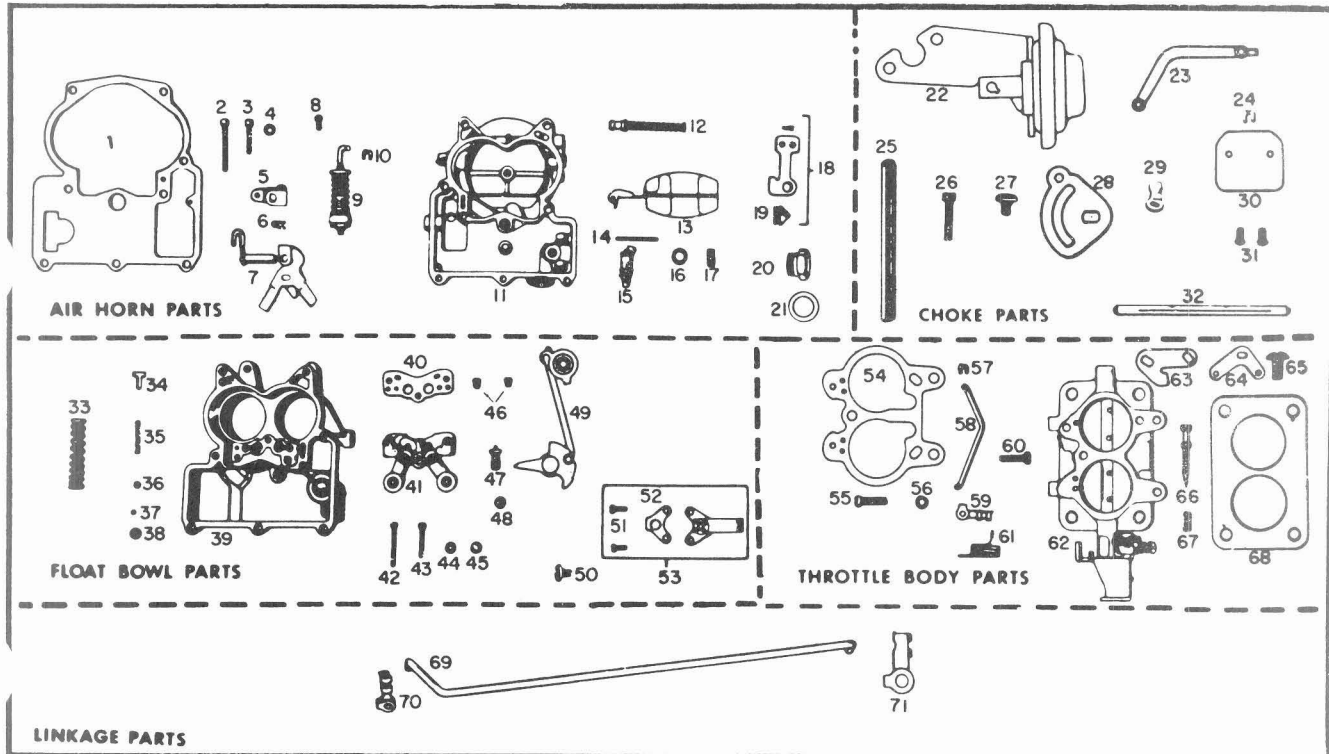
BULLETIN 9C-5015

DATE: NOVEMBER 1971

PAGE 1

MODEL 2GC CARBURETORS 1966 OLDSMOBILE "F-85" TRIPLE TWO-BARREL CARBURETOR INSTALLATION 400 CUBIC INCH ENGINE MANUAL TRANSMISSION

PARTS SHOWN ARE FOR IDENTIFICATION ONLY. CONSULT PARTS LIST FOR CORRECT PART NAME AND NUMBER



PARTS IN ALL COLUMNS SAME EXCEPT WHERE INDICATED

	FRONT	CENTER	REAR	APPLICATION
	7026055	7026056	7026057	CARBURETOR No.
	NLA			REPLACEMENT PACKAGE No.
	7031480	7016635	7031480	OVERHAUL KIT
	9052	9080	9052	POWER CARBURETOR KIT
	40-321			GASKET SET
Illus. No.	AIR HORN PARTS			
1	7021007			Gasket - Air Horn
2	7014280			Screw - Air Horn - Long
3	7006119			Screw - Air Horn - Short
4	120217			Lockwasher - Air Horn Screws
5	NLA	7032377	NLA	Lever - Pump Inside
6	NLA	-	NLA	Retainer - Pump Lever
7	NLA	7036764	NLA	Pump Shaft and Lever Assembly
8	-	7019706	-	Screw - Pump Lever
9	7032280			Pump Assembly
10	7005032			Clip - Pump Plunger
11	NLA			Air Horn Assembly
12	-	7035603	-	Power Piston Assembly
13	7012028			Float Assembly
14	7010037			Pin - Float Hinge
15	30-3			Needle and Seat Assembly
16	KIT ONLY			Gasket - Needle Seat
17	7013249	7006079	7013249	Strainer - Needle Seat

	7026055	7026056	7026057	CARBURETOR No.
	AIR HORN PARTS (Cont'd)			
Illus. No.				
18	--	7012252	--	Idle Vent Valve Kit
19	--	7029993	--	Idle Vent Valve
20	--	7031590	--	Fuel Inlet Nut
21	--	7032508	--	Gasket -- Inlet Nut
	CHOKE PARTS			
22	--	7026097	--	Vacuum Break Control Assembly
23	--	7026685	--	Rod -- Vacuum Control
24	--	7005109	--	Clip -- Control Rod
25	--	7026339	--	Hose -- Vacuum
26	--	9417077	--	Screw -- Control Attaching
27	--	7019709	--	Stat Rod and Trip Levers
28	--	7026469	--	Lever -- Stat Rod
29	--	7006596	--	Trip Lever
30	--	7033443	--	Choke Valve
31	--	7007627	--	Screw -- Choke Valve
32	--	7031589	--	Choke Shaft
--	--	7026299	--	Manifold Stat Coil Assembly
	FLOAT BOWL PARTS			
33	7004597			Spring -- Pump Return
34	7000286			Guide -- Pump Discharge
35	7002118			Spring -- Pump Discharge
36	7002117			Ball -- Pump Discharge
37	7002120			Ball -- Pump Inlet Check
38	7004557			Screen -- Pump Inlet
39	NLA			Float Bowl Assembly
40	KIT ONLY			Gasket -- Venturi Cluster
41	NLA			Venturi Cluster Assembly
42	7008502			Screw -- Venturi Cluster -- Outer
43	7009077			Screw -- Venturi Cluster -- Center
44	KIT ONLY			Gasket -- Cluster Center Screw
45	120217			Lockwasher -- Cluster Outer Screws
46	7008668	7008663	7008668	Jet -- Standard
47	--	7011994	--	Power Valve Assembly
48	--	KIT ONLY	--	Gasket -- Power Valve
49	--	7033213	--	Choke Lever Link and Cam Assembly
50	--	7003561	--	Screw -- Cam Attaching
51	--	7015127	--	Screw -- Idle Compensator and Cover
52	--	7013341	--	Gasket -- Idle Compensator
53	--	7013527	--	Idle Compensator Kit
	THROTTLE BODY PARTS			
54	KIT ONLY			Gasket -- Throttle Body
55	7015105			Screw -- Throttle Body
56	121744			Lockwasher -- Throttle Body Screws
57	7005032			Clip -- Pump Rod
58	7029690	7013192	7028763	Pump Rod
59	--	7003242	--	Clip -- Pump Rod
60	--	7006213	--	Idle Stop Screw
61	7029689	--	7029689	Spring -- Throttle Return
62	NLA			Throttle Body Assembly
63	--	--	NLA	Lever -- Rear Carburetor Actuating
64	NLA	--	--	Lever -- Front Carburetor Actuating
65	7010435	--	7010435	Screw -- Actuating Levers
66	--	7029605	--	Idle Needle
67	--	7011479	--	Spring -- Idle Needle
68	536477			Gasket -- Flange

NLA -- No Longer Available

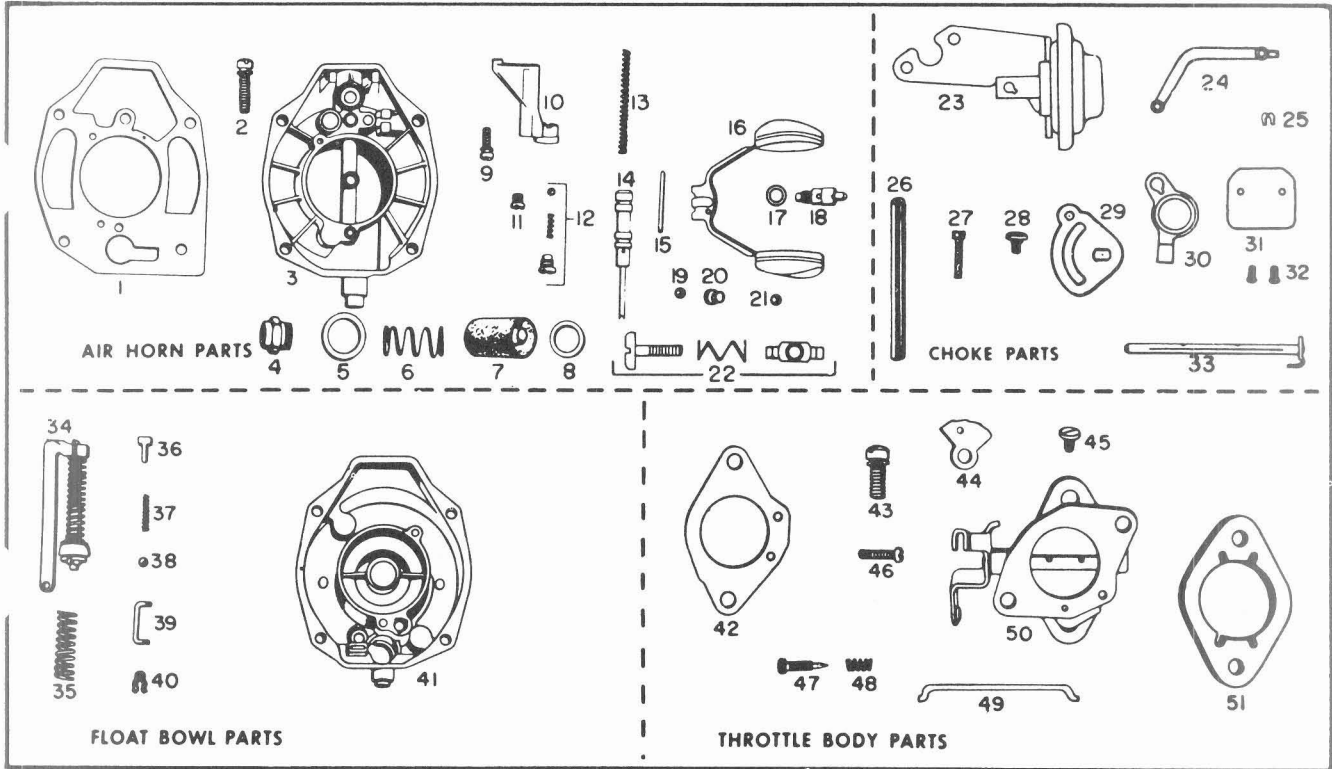


Delco Carburetor

BULLETIN 9C-5016
DATE: NOVEMBER, 1971
PAGE 1

MODEL 57 CARBURETORS 1966-67 OLDSMOBILE '66' 250 CUBIC INCH ENGINE

PARTS SHOWN ARE FOR IDENTIFICATION ONLY. CONSULT PARTS LIST FOR CORRECT PART NAME AND NUMBER



PARTS IN ALL COLUMNS SAME - EXCEPT WHERE INDICATED

ILLUS. NO.	AUTO. TRANS.	MAN. TRANS.	APPLICATION
		7026028	7026027
	21-377		REPLACEMENT PACKAGE No.
	7016553		OVERHAUL KIT
	9062		POWER CARBURETOR KIT
	40-281		GASKET SET
ILLUS. No.	AIR HORN PARTS		
1	7026514		Gasket—Air Horn
2	7003823		Screw—Air Horn
3	NLA		Air Horn Assembly
4	7040952		Filter Nut—Fuel Inlet
5	7032508		Gasket—Filter Nut
6	7010007		Spring—Fuel Inlet
7	7013404		Filter—Fuel Inlet
8	7013584		Gasket—Fuel Filter
9	7000745		Screw—Main Well Support
10	NLA		Main Well Support Assembly
11	7002658	7008660	Jet—Standard
12	7026961		Power Valve Assembly

	7026028	7026027	CARBURETOR No.
Illus. No.	AIR HORN PARTS (Cont'd)		
13	7002896		Spring—Power Piston
14	7027765		Power Piston Assembly
15	7002081		Pin—Float Hinge
16	7002672		Float Assembly
17	KIT ONLY		Gasket—Needle Seat
18	30-1		Needle and Seat Assembly
19	7001637		Plug — Lead Ball — Idle Passage — Outer
20	7002055		Plug—Idle Passage—Inner
21	7002814		Plug—Lead Ball
22	7025599		Idle Vent Valve Kit
	CHOKE PARTS		
23	7025091		Vacuum Break Control Assembly
24	7022554		Rod—Vacuum Control
25	7005109		Clip—Control Rod
26	7026339		Hose—Vacuum
27	7011270		Screw—Vacuum Control Attaching
28	7019709		Screw—Stat Rod Lever
29	7022550		Lever—Stat Rod
30	7009262		Choke Lever
31	7011651		Choke Valve
32	7007627		Screw—Choke Valve
33	7022548		Choke Shaft Assembly
	FLOAT BOWL PARTS		
34	7025530		Pump Plunger Assembly
35	7005954		Spring—Pump Return
36	7003838		Guide—Pump Discharge
37	7002118		Spring—Pump Discharge
38	7002117		Ball—Pump Discharge
39	7029787		Link—Pump
40	836159		Pin Spring—Pump Link
41	7021778		Float Bowl Assembly
	THROTTLE BODY PARTS		
42	KIT ONLY		Gasket—Throttle Body
43	7015365		Screw—Throttle Body
44	7029554	7025345	Cam—Fast Idle
45	7003561		Screw—Cam Attaching
46	7013347		Screw—Idle Stop
47	7002357		Needle—Idle Adjusting
48	7001666		Spring—Idle Needle
49	7028996		Choke Rod
50	NLA		Throttle Body Assembly
51	3953732		Gasket—Flange

IDLE SPEED-UP CONTROL (Air Conditioned Cars)	
7020986	Idle Speed-up Control Assembly
7022237	Diaphragm and Bracket Assembly
7022545	Solenoid Kit
7003234	Contact Screw

NLA—No Longer Available



Delco Carburetor

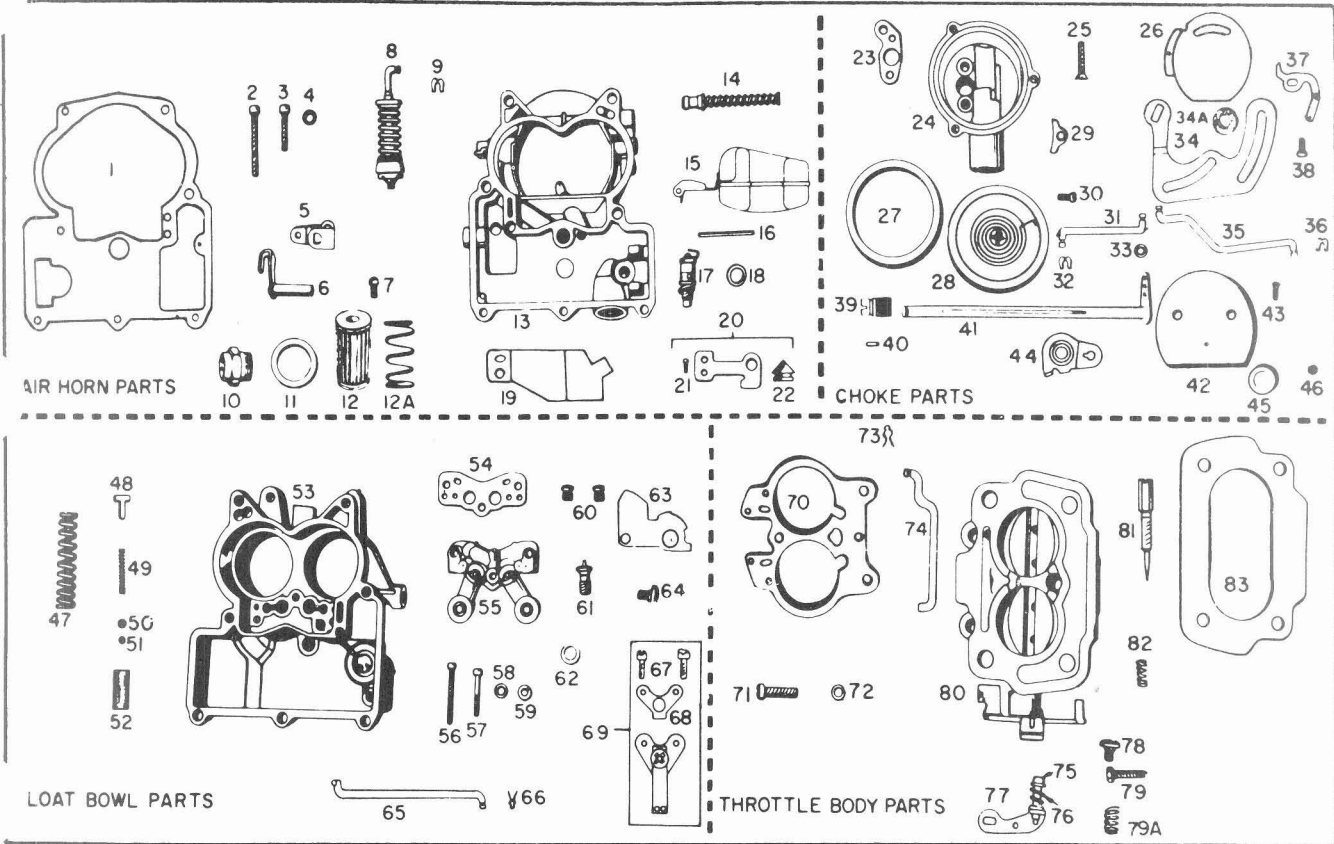
MODEL 2GC CARBURETORS

1967 OLDSMOBILE

425 CUBIC INCH V-8

BULLETIN 9C-5017
 DATE: NOVEMBER 1971
 PAGE 1

PARTS SHOWN ARE FOR IDENTIFICATION ONLY. CONSULT PARTS LIST FOR CORRECT PART NAME AND NUMBER



PARTS IN ALL COLUMNS SAME – EXCEPT WHERE INDICATED

	AUTO TRANS. STANDARD	AUTO TRANS. AIR COND.	MAN. TRANS. STANDARD	MAN. TRANS. AIR COND.	APPLICATION
	7037054	7037056	7037058	7037056	CARBURETOR No.
	22-557				REPLACEMENT PACKAGE No.
	7016755				OVERHAUL KIT
	9114				POWER CARB. KIT (NEO-tiP)
	9137				POWER CARB. KIT (STEEL)
	40-346				GASKET SET
Illus. No.	AIR HORN PARTS				
1	7033335				Gasket – Air Horn
2	7010432				Screw – Air Horn – Long
3	7006119				Screw – Air Horn – Short
4	120217				Lockwasher – Air Horn Screws
5	7032377				Lever – Pump – Inside
6	7036764				Pump Shaft and Lever Assembly
7	7011270				Screw – Pump Lever
8	7032280				Pump Assembly
9	7005032				Clip – Pump Plunger
10	7040955				Filter Nut
	GF-427				Filter – Fuel Inlet
12A	7032732				Spring – Filter
13	NLA				Air Horn Assembly
14	7009718				Power Piston Assembly
15	7035592				Float Assembly
16	7010037				Pin – Float Hinge
17	30-13				Needle and Seat Assembly (Neo-tiP)
17	7019932				Needle and Seat Assembly (Steel)
18	KIT ONLY				Gasket – Needle Seat
–	7006474				Pull Clip – Float Needle
19	7012835				Shield – Idle Vent
20	7012252				Idle Vent Valve Kit
21	7012548				Screw – Idle Vent
22	7029993				Valve – Idle Vent

Illus. No.	7037054	7037056	7037058	7037056	CARBURETOR No.
23	7013995				Gasket - Choke Housing
24	7034287				Choke Housing Assembly
25	7019776				Screw - Choke Housing
26	7035711				Baffle Plate
27	7002760				Gasket - Start Cover
28	7031484				Stat Cover, Coil and Gasket Assembly
29	7000614				Retainer - Stat Cover
30	7011270				Screw - Stat Cover
31	7016682				Rod - Choke
32	7005109				Clip - Choke Rod
33	7002287				Washer - Choke Rod
34	7031759				Intermediate Choke Shaft Assembly
34A	7019751				Dust Seal - Intermediate Choke Shaft
35	7016683				Intermediate Choke Rod
36	7005109				Clip - Intermediate Choke Rod
37	7026664				Choke Lever and Link Assembly
38	7019709				Screw - Piston Lever Attaching
39	7031870				Choke Piston
40	7010746				Pin - Choke Piston
41	7020667				Choke Shaft Assembly
42	7033443				Choke Valve
43	7007627				Screw - Choke Valve
44	7020669				Choke Lever and Collar Assembly
45	7003135				Plug - Expansion - Large
46	7002814				Pug - Lead Ball
47	7004597				Spring - Pump Return
48	7000286				Guide - Pump Discharge
49	7002118				Spring - Pump Discharge
50	7002117				Ball - Pump Discharge
51	7002120				Ball - Pump Inlet Check
52	7004557				Screen - Pump Inlet
53	NLA				Float Bowl Assembly
54	KIT ONLY				Gasket - Venturi Cluster W/O A.I.R.
55	NLA				Venturi Cluster Assembly
56	7008502				Screw - Venturi Cluster - Outer
57	7009077				Screw - Venturi Cluster - Center
58	KIT ONLY				Gasket - Center Screw
59	120217				Lockwasher - Outer Screws
60	7008664				Jet - Standard
61	7011989				Power Valve Assembly
62	KIT ONLY				Gasket - Power Valve
63	7029533	7031030	7031030		Cam - Fast Idle
64	7003561				Screw - Cam Attaching
65	7020684				Rod - Choke Unloader
66	1875293				Clip - Unloader Rod
67	-				Screw - Idle Compensator
68	-				Gasket - Idle Compensator
69	-				Idle Compensator Kit
70	KIT ONLY				Gasket - Throttle Body
71	7015105				Screw - Throttle Body
72	121744				Lockwasher - Throttle Body Screw
73	1875293				Clip - Pump Rod
74	7029658				Pump Rod
75	7013347				Fast Idle Screw
76	7001690				Spring - Fast Idle Screw
77	7035727				Fast Idle Lever Assembly
78	7010435				Screw - Fast Idle Lever
79	7002121				Idle Stop Screw
79A	7009728				Spring - Idle Stop Screw
80	NLA				Throttle Body Assembly
81	7041621				Idle Needle
82	7011479				Spring - Idle Needles
83	578912				Gasket - Flange

NLA - No Longer Available



Delco Carburetor

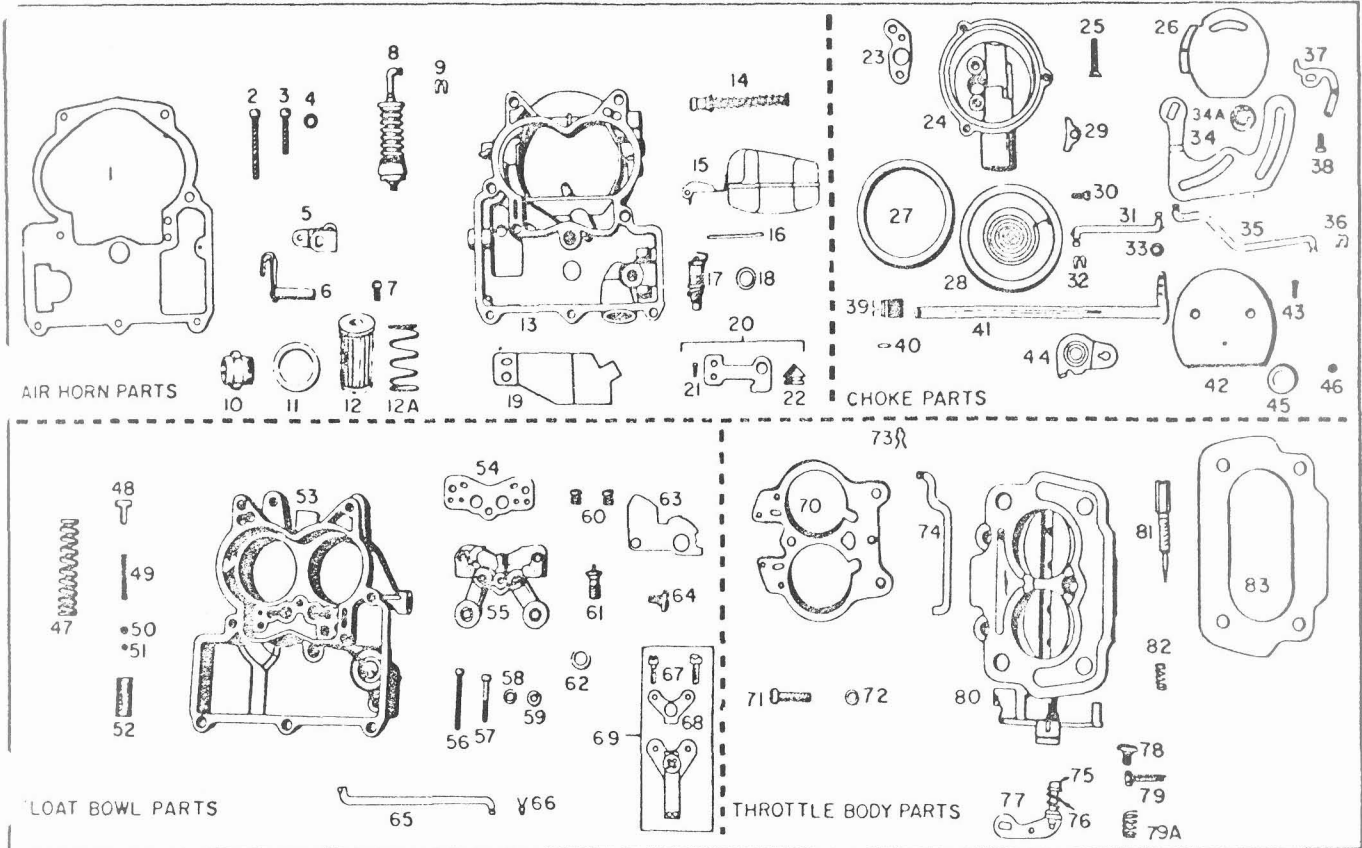
MODEL 2GC CARBURETORS

1967 OLDSMOBILE

425 CUBIC INCH V-8

BULLETIN 9C-5018
 DATE: NOVEMBER 1971
 PAGE 1

PARTS SHOWN ARE FOR IDENTIFICATION ONLY. CONSULT PARTS LIST FOR CORRECT PART NAME AND NUMBER



PARTS IN ALL COLUMNS SAME EXCEPT WHERE INDICATED

	C.C.C. STANDARD	C.C.C. AIR COND.	A.I.R. STANDARD	A.I.R. AIR COND.	C.C.S. ALL	APPLICATION
	7027033	7027136	7037055	7037057	7027139	CARBURETOR No.
	22-557	22-557	22-557	22-557	22-543	REPLACEMENT PKG. No.
	7016755					OVERHAUL KIT
	9114					POWER CARB. KIT (NEO-TIP)
	9137					POWER CARB. KIT (STEEL)
	40-346					GASKET SET
Illus. No.	AIR HORN PARTS					
1	7033335					Gasket - Air Horn
2	7010432					Screw - Air Horn - Long
3	7005119					Screw - Air Horn - Short
4	120217					Lockwasher - Air Horn Screws
5	7032377					Lever - Pump - Inside
6	7036764					Pump Shaft and Lever Assembly
7	7019706					Screw - Pump Lever
8	7032280					Pump Assembly
9	7005032					Clip - Pump Plunger
10	7040955					Filter Nut
11	7032508					Gasket - Filter Nut
12	GF-427					Filter - Fuel Inlet
12A	7032732					Spring - Filter
13	NLA					Air Horn Assembly
14	7009718	7006011	7009718	7006011	7006011	Power Piston Assembly
15	7035592					Float Assembly
16	7010037					Pin - Float Hinge
17	30-13					Needle and Seat Assembly (Neo-tip)
17	7019932					Needle and Seat Assembly (Steel)
18	KIT ONLY					Gasket - Needle Seat
-	7006474					Pull Clip - Float Needle
19	7012835					Shield - Idle Vent
20	7012252					Idle Vent Valve Kit
21	7012548					Screw - Idle Vent
22	7029993					Valve - Idle Vent

CO, WD, 131, 132:16, 9X, 9FR, 9FD

C.C.C. - Climatic Combustion Control
 C.C.S. - Combustion Control System

A.I.R. - Air Injection Reactor
 NLA - No Longer Available

PRINTED IN U.S.A.

© 1971, GENERAL MOTORS CORP.

	7027033	7027136	7037055	7037057	7027139	CARBURETOR No.
Illus. No.	CHOKE PARTS					
23	7013995					Gasket – Choke Housing
24	7034287					Choke Housing Assembly
25	7019776					Screw – Choke Housing
26	7035711					Baffle Plate
27	7002760					Gasket – Stat Cover
28	7031484					Stat Cover, Coil and Gasket Assembly
29	7000614					Retainer – Stat Cover
30	7011270					Screw – Stat Cover
31	7016682					Rod – Choke
32	7005109					Clip – Choke Rod
33	7002287					Washer – Choke Rod
34	7031759					Intermediate Choke Shaft Assembly
34A	7019751					Dust Seal – Intermediate Choke Shaft
35	7016683					Intermediate Choke Rod
36	7005109					Clip – Intermediate Choke Rod
37	7026664					Choke Lever and Link Assembly
38	7019709					Screw – Piston Lever Attaching
39	7031870					Choke Piston
40	7010746					Pin – Choke Piston
41	7020667					Choke Shaft Assembly
42	7033443					Choke Valve
43	7007627					Screw – Choke Valve
44	7020669					Choke Lever and Collar Assembly
45	7003135					Plug – Expansion – Large
46	7002814					Plug – Lead Ball
	FLOAT BOWL PARTS					
47	7004597					Spring – Pump Return
48	7000286					Guide – Pump Discharge
49	7002118					Spring – Pump Discharge
50	7002117					Ball – Pump Discharge
51	7002120					Ball – Pump Inlet Check
52	7004557					Screen – Pump Inlet
53	NLA					Float Bowl Assembly
54	KIT ONLY					Gasket – Venturi Cluster
55	NLA					Venturi Cluster Assembly
56	7008502					Screw – Venturi Cluster – Outer
57	7009077					Screw – Venturi Cluster – Center
58	KIT ONLY					Gasket – Center Screw
59	120217					Lockwasher – Outer Screws
60	7008663	7008664	7008664	7008664	7008663	Jet – Standard
61	7011989					Power Valve Assembly
62	KIT ONLY					Gasket – Power Valve
63	7031030	7031030	7029533	7029533	7029533	Cam – Fast Idle
64	7003561					Screw – Cam Attaching
65	7020684					Rod – Choke Unloader
66	1875293					Clip – Unloader Rod
67	–	7015127	–	7015127	7015127	Screw – Idle Compensator
68	–	7013341	–	7013341	7013341	Gasket – Idle Compensator
69	–	7028924	–	7028924	7035343	Idle Compensator Kit
	THROTTLE BODY PARTS					
70	KIT ONLY					Gasket – Throttle Body
71	7015105					Screw – Throttle Body
72	121744					Lockwasher – Throttle Body Screw
73	1875293					Clip – Pump Rod
74	7029658					Pump Rod
75	7013347					Fast Idle Screw
76	7001690					Spring – Fast Idle Screw
77	7035727					Fast Idle Lever Assembly
78	7010435					Screw – Fast Idle Lever
79	7002121					Idle Stop Screw
79A	7009728					Spring – Idle Stop Screw
80	NLA					Throttle Body Assembly
81	7041621					Idle Needle
82	7011479					Spring – Idle Needles
83	578912					Gasket – Flange

7027290	Intake Air Bleed Valve Assembly (A.I.R.)
---------	--

NLA – No Longer Available



Delco Carburetor

MODEL 2GC CARBURETORS

1967 OLDSMOBILE F-85 V-8

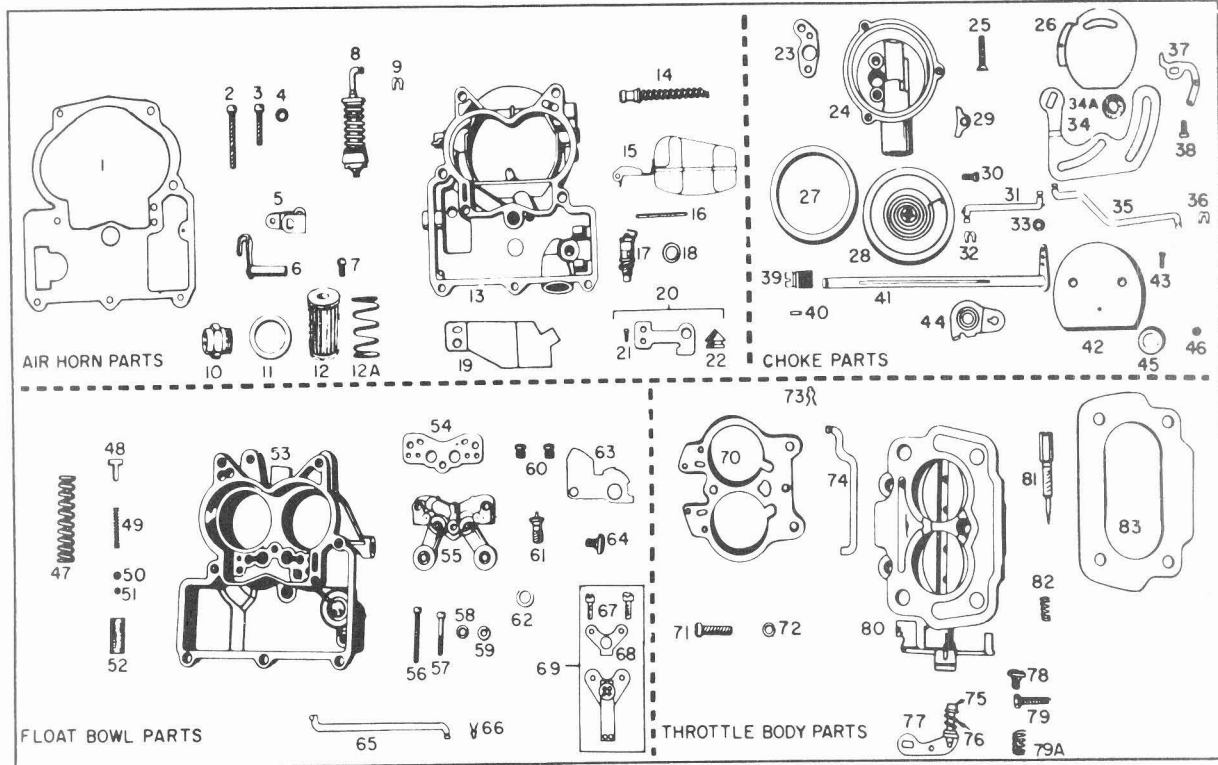
330 CUBIC INCH ENGINE

BULLETIN 9C-5019

DATE: NOVEMBER, 1971

PAGE 1

PARTS SHOWN ARE FOR IDENTIFICATION ONLY, CONSULT PARTS LIST FOR CORRECT PART NAME AND NUMBER



PARTS IN ALL COLUMNS SAME EXCEPT WHERE INDICATED

W/O A.I.R. STANDARD	W/O A.I.R. AIR COND.	A.I.R. STANDARD	A.I.R. AIR COND.	C.C.C. STANDARD	C.C.C. AIR COND.	APPLICATION
7037052	7037050	7037053	7037051	7027035	7027133	CARBURETOR No.
22-556						REPLACEMENT PKG. No.
7016758						OVERHAUL KIT
9113						POWER CARB. KIT (NEO-tiP)
9136						POWER CARB. KIT (STEEL)
40-346						GASKET SET

Illus. No.	AIR HORN PARTS					
1	7033335					Gasket—Air Horn
2	7010432					Screw—Air Horn—Long
3	7006119					Screw—Air Horn—Short
4	120217					Lockwasher—Air Horn Screws
5	7032377					Lever—Pump—Inside
6	7036764					Pump Shaft and Lever Assembly
7	7019706					Screw—Pump Lever
8	7032829					Pump Assembly
9	7005032					Clip—Pump Plunger
10	7040955					Filter Nut—Fuel Inlet
11	7032508					Gasket—Filter Nut
12	GF-427					Filter—Fuel Inlet
12A	7032732					Spring—Fuel Filter
13	NLA					Air Horn Assembly
14	7009718					Power Piston Assembly
15	7035592					Float Assembly
16	7010037					Pin—Float Hinge
17	30-13					Needle and Seat Assembly (Neo-tiP)
17	7019932					Needle and Seat Assembly (Steel)
18	KIT ONLY					Gasket—Needle Seat
-	7006474					Pull Clip—Float Needle
19	7012835					Shield—Idle Vent
20	7012252					Idle Vent Valve Kit
21	7012548					Screw—Idle Vent
22	7029993					Valve—Idle Vent

CO, WD, 131, 132:16, 9X, 9FR, 9FD

A.I.R. — AIR INJECTION REACTOR
 C.C.C. — CLIMATIC COMBUSTION CONTROL
 NLA — NO LONGER AVAILABLE

PRINTED IN U.S.A.
 ©1971 GENERAL MOTORS CORP.

	7037052	7037050	7037053	7037051	7027035	7027133	CARBURETOR No.
Illus. No.	CHOKE PARTS						
23	7013995						Gasket—Choke Housing
24	7034288						Choke Housing Assembly
25	7013704						Screw—Choke Housing
26	7035711						Baffle Plate
27	7002760						Gasket—Stat Cover
28	7029727						Stat Cover, Coil & Gasket Assy.
29	7000614						Retainer—Stat Cover
30	7011270						Screw—Stat Cover
31	7016682						Rod—Choke
32	7005109						Clip—Choke Rod
33	7002287						Washer—Choke Rod
34	7017988						Intermediate Choke Shaft Assy.
34A	7019751						Dust Seal—Inter Choke Shaft
35	7016683						Intermediate Choke Rod
36	7005109						Clip—Intermediate Choke Rod
37	7026683						Choke Lever and Link Assembly
38	7019709						Screw—Piston Lever Attaching
39	7029699						Choke Piston
40	7004748						Pin—Choke Piston
41	7020667						Choke Shaft Assembly
42	7033443						Choke Valve
43	7007627						Screw—Choke Valve
44	7020669						Choke Lever and Collar Assy
45	7003135						Plug—Expansion—Large
46	7002814						Plug—Lead Ball
	FLOAT BOWL PARTS						
47	7004597						Spring—Pump Return
48	7000286						Guide—Pump Discharge
49	7002118						Spring—Pump Discharge
50	7002117						Ball—Pump Discharge
51	7002120						Ball—Pump Inlet Check
52	7004557						Screen—Pump Inlet
53	NLA						Float Bowl Assembly
54	KIT ONLY						Gasket—Venturi Cluster
55	NLA						Venturi Cluster Assembly
56	7008502						Screw—Venturi Cluster—Outer
57	7009077						Screw—Venturi Cluster—Center
58	KIT ONLY						Gasket—Center Screw
59	120217						Lockwasher—Outer Screws
60	7008663	7008663	7008663	7008663	7008661	7008661	Jet—Standard
61	7011989						Power Valve Assembly
62	KIT ONLY						Gasket—Power Valve
63	7031030						Cam—Fast Idle
64	7003561						Screw—Cam Attaching
65	7020684						Rod—Choke Unloader
66	1875293						Clip—Unloader Rod
67	—	7015127	—	7015127	—	7015127	Screw—Idle Compensator
68	—	7013341	—	7013341	—	7013341	Gasket—Idle Compensator
69	—	7028924	—	7028924	—	7028924	Idle Compensator Kit
	THROTTLE BODY PARTS						
70	KIT ONLY						Spacer—Throttle Body
71	7015105						Screw—Throttle Body
72	121744						Lockwasher—Throttle Body Screw
73	1875293						Clip—Pump Rod
74	7029658						Pump Rod
75	7013347						Fast Idle Screw
76	7001690						Spring—Fast Idle Screw
77	7035727						Fast Idle Lever Assembly
78	7010435						Screw—Fast Idle Lever
79	7002121						Idle Stop Screw
79A	7009728						Spring—Idle Stop Screw
80	NLA						Throttle Body Assembly
81	7041621						Idle Needle
82	7011479						Spring—Idle Needles
83	578912						Gasket—Flange

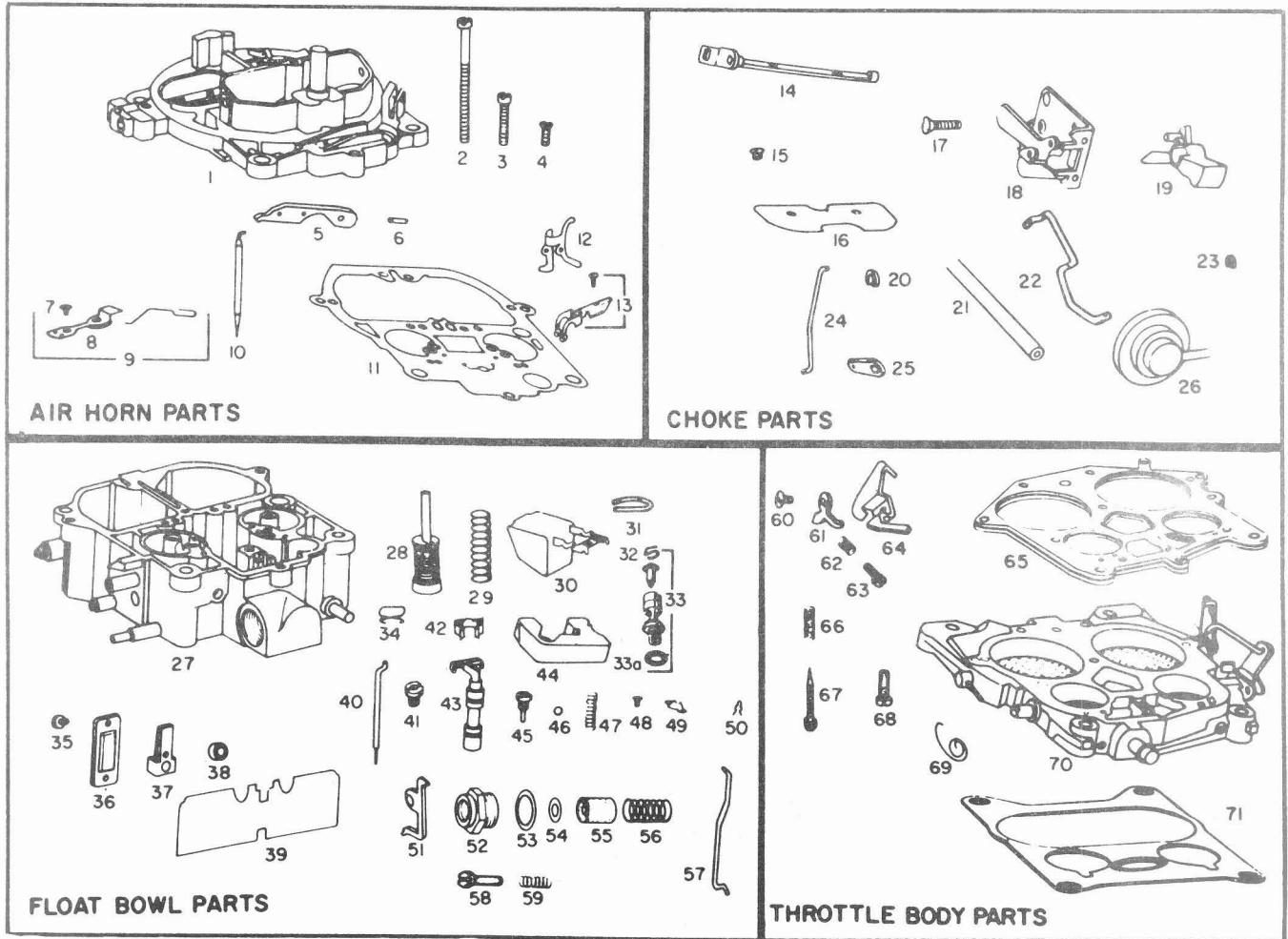
7027290	Intake Air Bleed Valve Assembly (A.I.R.)
---------	--



Delco Carburetor MODEL 4MV QUADRAJET 1967 OLDSMOBILE

BULLETIN 9C-5020
DATE: NOVEMBER, 1971
PAGE 1

PARTS SHOWN ARE FOR IDENTIFICATION ONLY. CONSULT PARTS LIST FOR CORRECT PART NAME AND NUMBER



PARTS IN ALL COLUMNS SAME - EXCEPT WHERE INDICATED

	400" & 425" STANDARD	425" TORONADO	APPLICATION
	7027156	7027131	CARBURETOR No. (W/O A.I.R.)
	7027157	7027130	CARBURETOR No. (A.I.R.)
	7027032	7027132	CARBURETOR No. (C.C.C.)
	24-545	24-546	REPLACEMENT PACKAGE No. (A.I.R.)
	7034542	7034543	OVERHAUL KIT
	9112		POWER CARBURETOR KIT
	40-347		GASKET SET
Illus. No.	AIR HORN PARTS		
1	NLA		Air Horn Assembly
2	7029912		Screw—Air Horn
3	7014699		Screw—Air Horn
4	7031105		Screw—Air Horn
5	7026139		Lever—Pump Actuating
6	9428787		Roll Pin—Pump and Lockout Levers
7	7012548		Screw—Idle Vent Valve
8	7029993		Valve—Idle Vent
9	7031423		Idle Vent Valve Kit
10	7033655		Metering Rod—Secondary
11	7029087		Gasket—Air Horn
12	7031393		Lockout Lever—Air Valve
13	7034522		Secondary Metering Rod Holder Kit
	7035344		Air Valve Spring and Cam Kit

CO, WD, 131, 132:16, 9X, 9FR, 9FD

A.I.R. - AIR INJECTION REACTOR
C.C.C. - CLIMATIC COMBUSTION CONTROL
NLA - NO LONGER AVAILABLE

PRINTED IN U.S.A.
© 1971, GENERAL MOTORS CORP.

	7027156	7027131	CARBURETOR No. (W/O A.I.R.)
	7027157	7027130	CARBURETOR No. (A.I.R.)
	7027032	7027132	CARBURETOR No. (C.C.C.)
CHOKE PARTS			
Illus. No.			
14	7036432		Choke Shaft and Valve Kit
15	7029866		Screw—Choke Valve
16	NSS		Choke Valve
17	7031925		Screw—Vacuum Break Control
18	7034541		Vacuum Break Control Bracket Assembly
19	7033977		Cam—Fast Idle
20	7032726		Clip—Choke Rod
21	7026339		Hose—Vacuum
22	7038167		Rod—Vacuum Break
23	7005109		Clip—Vacuum Break Rod
24	7033517		Rod—Choke
25	7031231		Lever—Intermediate Choke
26	7038238		Vacuum Break Control Assembly
FLOAT BOWL PARTS			
27	NLA		Float Bowl Assembly
28	7029989		Pump Assembly
29	7004597		Spring — Pump Return
30	7033752		Float Assembly
31	7029856		Hinge Pin—Float
32	7033751		Pull Clip—Float Needle
33	30-142		Needle and Seat Assembly
33A	KIT ONLY		Gasket Needle Seat
34	7029862		Spring—Metering Rod—Primary
35	7020926		Screw—Cover Attaching
36	7029865		Cover—Idle Compensator
37	7033152		Idle Compensator Assembly
38	7027970		Gasket—Idle Compensator
39	7031365		Baffle Plate—Float Bowl
40	**7031844		Metering Rod—Primary (W/O A.I.R.)
40	7031845		Metering Rod—Primary (A.I.R.) (C.C.C.)
41	7031971		Metering Jet—Primary
42	7034339		Retainer—Power Piston
43	7032979		Power Piston Assembly
44	7034361		Insert—Float Bowl
45	7029849		Retainer—Pump Discharge Ball
46	7002117		Ball—Pump Discharge
47	7029922		Spring—Power Piston
48	—		Screw—Diaphragm Retainer
49	—		Retainer—Float Needle Diaphragm
50	836159		Clip—Pump Rod
51	—		Lockout Lever—Secondary
52	7040955		Filter Nut—Fuel Inlet (See Note)
53	7032508		Gasket—Inlet Nut
54	—		Gasket—Filter
55	GF-427		Filter—Fuel Inlet
56	7032732		Spring—Inlet Filter
57	7032716		Rod—Pump
58	7002121		Screw—Idle Stop
59	7003176		Spring—Idle Stop Screw
THROTTLE BODY PARTS			
60	7010435		Screw—Cam and Fast Idle Levers
61	7043671		Lever—Fast Idle
62	7029900		Spring—Fast Idle Screw
63	7029899		Screw—Fast Idle
64	7033907		Lever—Cam Follower
65	KIT ONLY		Gasket—Throttle Body
66	7011479		Spring—Idle Needle
67	7041621		Needle—Idle Adjusting
68	7029891		Screw—Throttle Body
69	7031901		Spring—Cam Follower Lever
70	NLA		Throttle Body Assembly
71	408597		Gasket—Flange

ACCESSORIES	
7027095	Manifold Stat Coil Assembly—424 Cu. In.—Toronado
7027094	Manifold Stat Coil Assembly—All Other
7027290	Intake Air Bleed Valve Assembly—A.I.R.

NOTE: For Stripped Threads, replace with 7041634 adaptor kit.

**For Outside Air Induction (Manual Trans.) Option, Use 7031841 Rods.

NLA—No Longer Available

NSS — Not Serviced Separately



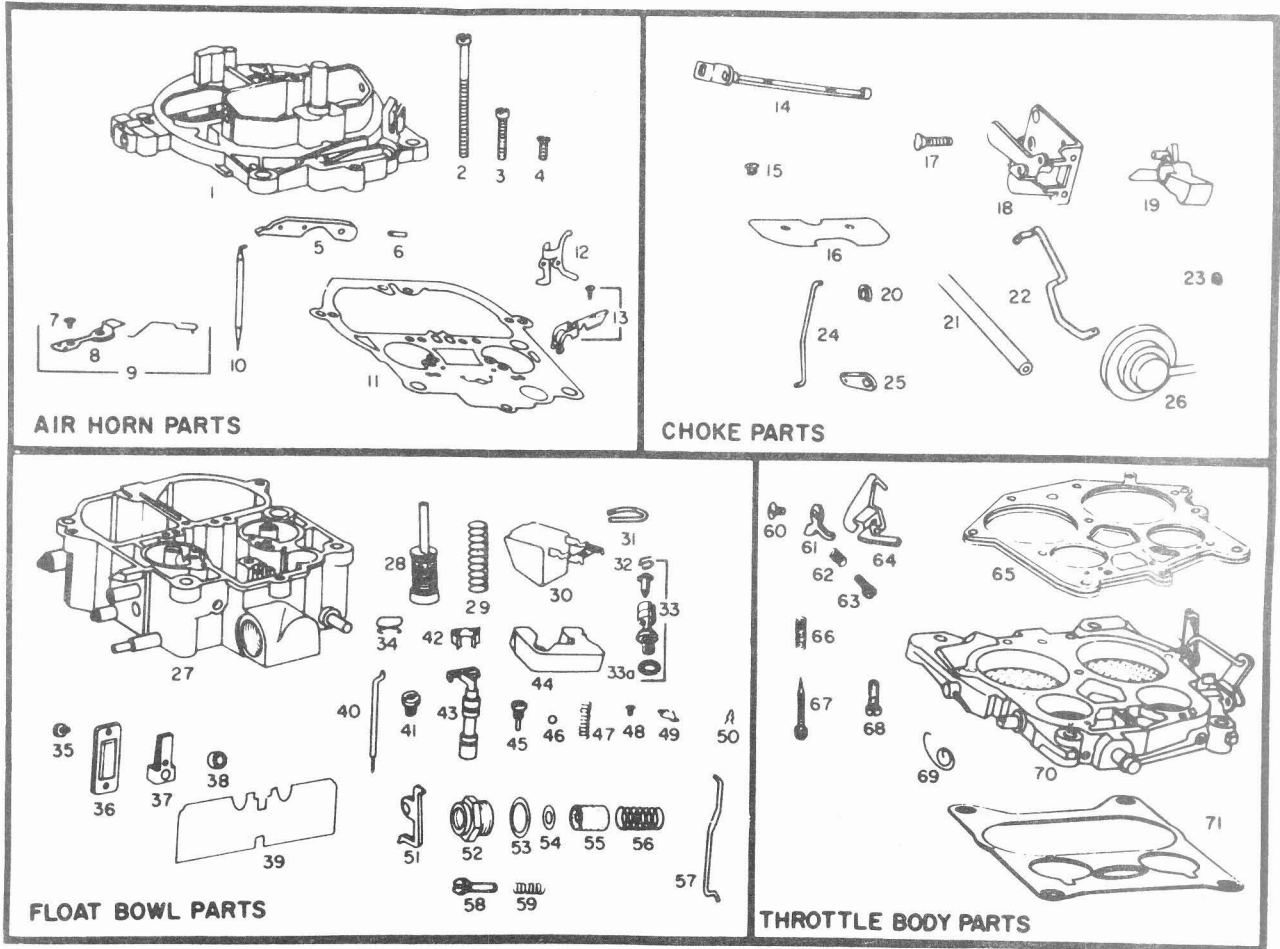
Delco Carburetor

MODEL 4MV QUADRAJET

1967 OLDSMOBILE

BULLETIN 9C-5021
 DATE: NOVEMBER 1971
 PAGE 1

PARTS SHOWN ARE FOR IDENTIFICATION ONLY. CONSULT PARTS LIST FOR CORRECT PART NAME AND NUMBER



PARTS IN ALL COLUMNS SAME - EXCEPT WHERE INDICATED

	330" CU. IN. STANDARD	330" CU. IN. C.C.C.	330" CU. IN. A.I.R.	APPLICATION
	7027036	7027135	7027153	CARBURETOR No.
	24-547			REPLACEMENT PACKAGE No.
	7034542	7034543	7034543	OVERHAUL KIT
	9112			POWER CARBURETOR KIT
	40-347			GASKET SET
Illus. No.	AIR HORN PARTS			
1	NLA			Air Horn Assembly
2	7029912			Screw - Air Horn
3	7014699			Screw - Air Horn
4	7031105			Screw - Air Horn
5	7026139			Lever - Pump Actuating
6	9428787			Roll Pin - Pump and Lockout Levers
7	7012548			Screw - Idle Vent Valve
8	7029993			Valve - Idle Vent
9	7031423			Idle Vent Valve Kit
10	7033658			Metering Rod - Secondary
11	7029087			Gasket - Air Horn
12	7031393			Lockout Lever - Air Valve
13	7034522			Secondary Metering Rod Holder Kit
	7035344			Air Valve Spring and Cam Kit

CO, WD, 131, 132:16, 9X, 9FR, 9FD

A.I.R. - Air Injection Reactor
 C.C.C. - Climatic Combustion Control
 NLA - No Longer Available

PRINTED IN U.S.A.
 © 1971, GENERAL MOTORS CORP.

	7027036	7027135	7027153	CARBURETOR No.
Illus. No.	CHOKE PARTS			
14	7036432			Choke Shaft and Valve Kit
15	7029866			Screw – Choke Valve
16	NSS			Choke Valve
17	7031925			Screw – Vacuum Break Control
18	7034541			Vacuum Break Control Bracket Assembly
19	7033977			Cam – Fast Idle
20	7032726			Clip – Choke Rod
21	7026339			Hose – Vacuum
22	7038167			Rod – Vacuum Break
23	7005109			Clip – Vacuum Break Rod
24	7033517			Rod – Choke
25	7031231			Lever – Intermediate Choke
26	7038238			Vacuum Break Control Assembly
	FLOAT BOWL PARTS			
27	NLA			Float Bowl Assembly
28	7029989			Pump Assembly
29	7004597			Spring – Pump Return
30	7033752			Float Assembly
31	7029856			Hinge Pin – Float
32	7033751			Pull Clip – Float Needle
33	30-142			Float Needle and Diaphragm Assembly
33A	KIT ONLY			Gasket – Needle Seat
34	7029862			Spring – Metering Rod – Primary
35	7020926			Screw – Cover Attaching
36	7029865			Cover – Idle Compensator
37	7033152			Idle Compensator Assembly
38	7027970			Gasket – Idle Compensator
39	7031365			Baffle Plate – Float Bowl
40	7031844	7031845	7031845	Metering Rod – Primary
41	7031971			Metering Jet – Primary
42	7034339			Retainer – Power Piston
43	7032979			Power Piston Assembly
44	7034361			Insert – Float Bowl
45	7029849			Retainer – Pump Discharge Ball
46	7002117			Ball – Pump Discharge
47	7029922			Spring – Power Piston
48	–			Screw – Diaphragm Retainer
49	–			Retainer – Float Needle Diaphragm
50	836159			Clip – Pump Rod
51	–			Lockout Lever – Secondary
52	7040955			Filter Nut – Fuel Inlet (See Note)
53	7032508			Gasket – Inlet Nut
54	–			Gasket – Filter
55	GF-427			Filter – Fuel Inlet
56	7032732			Spring – Inlet Filter
57	7032716			Rod – Pump
58	7002121			Screw – Idle Stop
59	7003176			Spring – Idle Stop Screw
	THROTTLE BODY PARTS			
60	7010435			Screw – Cam and Fast Idle Levers
61	7043671			Lever – Fast Idle
62	7029900			Spring – Fast Idle Screw
63	7029899			Screw – Fast Idle
64	7033907			Lever – Cam Follower
65	KIT ONLY			Gasket – Throttle Body
66	7011479			Spring – Idle Needle
67	7041621			Needle – Idle Adjusting
68	7029891			Screw – Throttle Body
69	7031901			Spring – Cam Follower Lever
70	NLA			Throttle Body Assembly
71	408597			Gasket – Flange

ACCESSORIES	
7027094	Manifold Stat Coil Assembly
7027290	Intake Air Bleed Valve Assembly – A.I.R.

NLA – No Longer Available

NOTE: For stripped threads, replace with 7041634 adaptor kit.

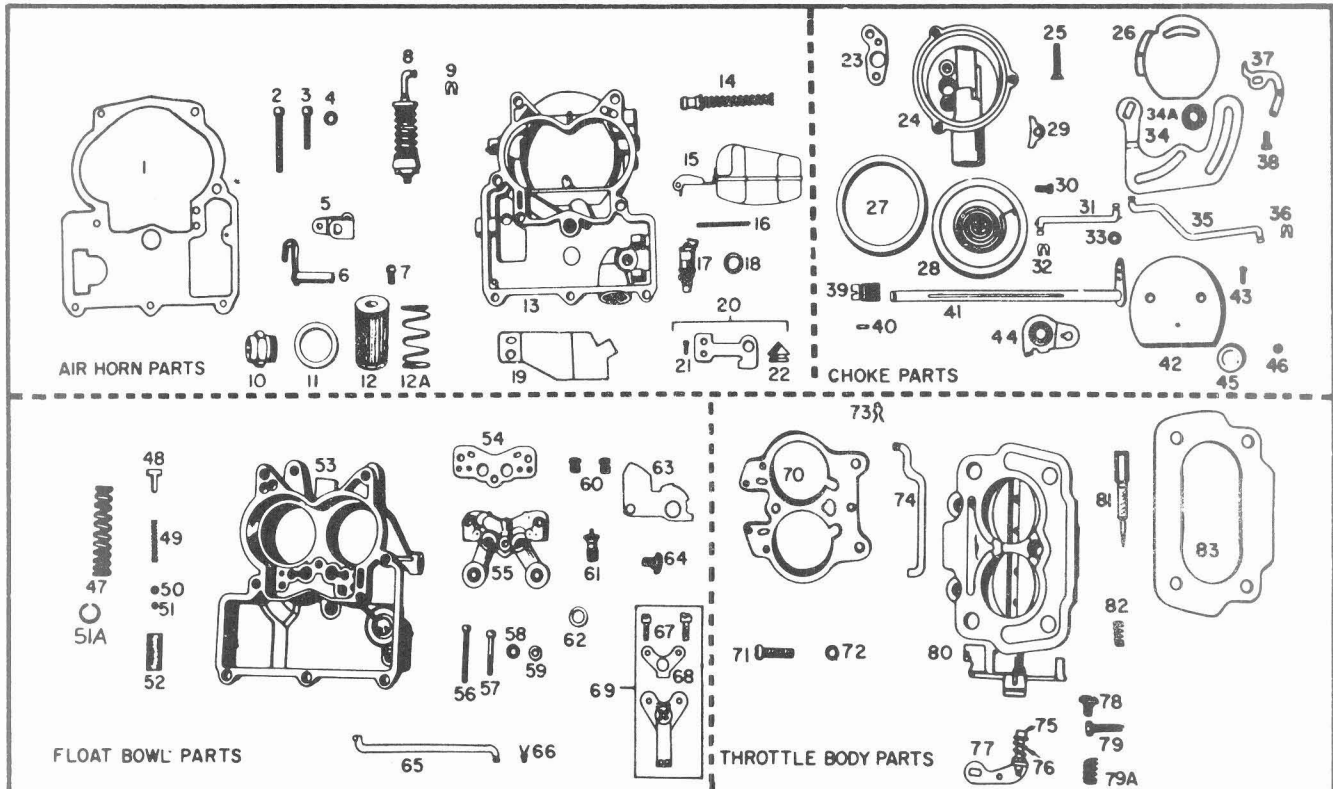


Delco Carburetor

MODEL 2GC CARBURETORS 1968 OLDSMOBILE

BULLETIN 9C-5022
DATE: NOVEMBER, 1971
PAGE 1

PARTS SHOWN ARE FOR IDENTIFICATION ONLY, CONSULT PARTS LIST FOR CORRECT PART NAME AND NUMBER



PARTS IN ALL COLUMNS SAME EXCEPT WHERE INDICATED

	400 & 455 CU. IN.			350 CU. IN.			APPLICATION
	AUTO TRANS. STANDARD	ALL AIR COND.	MAN. TRANS. STANDARD	ALL STANDARD	EARLY AIR COND	LATE AIR COND.	
	7028158	7028159	7028155	7028157	7028156	7028154	CARBURETOR No.
	22-547	22-547	22-547	22-548	22-548	22-548	REPLACEMENT PKG. No.
	7016835	7016835	7016835	7016836	7016836	7016836	OVERHAUL KIT
	9123	9123	9123	9124	9124	9124	POWER CARB. KIT (NEO-tiP)
	9137	9137	9137	9139	9139	9139	POWER CARB. KIT (STEEL)
	40-346						GASKET SET

Illus. No.	AIR HORN PARTS						
1	7035815						Gasket—Air Horn
2	7010432						Screw—Air Horn—Long
3	7006119						Screw—Air Horn—Short
4	120217						Lockwasher—Air Horn Screws
5	7032377						Lever—Pump—Inside
6	7036764						Pump Shaft and Lever Assembly
7	7011270						Screw—Pump Lever
8	7032280	7032280	7032280	7032829	7032829	7032829	Pump Assembly
9	7005032						Clip—Pump Plunger
10	7040957						Filter Nut
	GF-441						Filter—Fuel Inlet
12A	7032732						Spring—Filter
13	NLA						Air Horn Assembly
14	7009718						Power Piston Assembly
15	7035592						Float Assembly
16	7010037						Pin—Float Hinge
17	30-13						Needle and Seat Assembly (Neo-tiP)
17	7019932						Needle and Seat Assembly (Steel)
18	KIT ONLY						Gasket—Needle Seat
-	7006474						Pull Clip—Float Needle

	7028158	7028159	7028155	7028157	7028156	7028154	CARBURETOR No.
Illus. No.	AIR HORN PARTS (Continued)						
19	7012835						Shield—Idle Vent
20	7012252						Idle Vent Valve Kit
21	7012548						Screw—Idle Vent
22	7029993						Valve—Idle Vent
	CHOKE PARTS						
23	7013995						Gasket—Choke Housing
24	7034287	7034287	7034287	7034288	7034288	7034288	Choke Housing Assembly
25	7019776	7019776	7019776	7013704	7013704	7013704	Screw—Choke Housing
26	7035711						Baffle Plate
27	7002760						Gasket—Stat Cover
28	7031484	7031484	7031484	7029727	7029727	7029727	Stat Cover, Coil & Gasket Assembly
29	7000614						Retainer—Stat Cover
30	7011270						Screw—Stat Cover
31	7016682						Rod—Choke
32	7005109						Clip—Choke Rod
33	7002287						Washer—Choke Rod
34	7035714	7035714	7035714	7035765	7035765	7035765	Intermediate Choke Shaft Assy
34A	7019751						Dust Seal—Intermediate Choke Shaft
35	7016683						Intermediate Choke Rod
36	7005109						Clip—Intermediate Choke Rod
37	7035627	7035627	7035627	7035626	7035626	7035626	Choke Lever and Link Assembly
38	7019709						Screw—Piston Lever Attaching
39	7031870	7031870	7031870	7029699	7029699	7029699	Choke Piston
40	7010746	7010746	7010746	7004748	7004748	7004748	Pin—Choke Piston
41	7035712						Choke Shaft Assembly
42	7033443						Choke Valve
43	7007627						Screw—Choke Valve
44	7020669						Choke Lever and Collar Assembly
45	7003135						Plug—Expansion—Large
46	7002814						Plug—Lead Ball
	FLOAT BOWL PARTS						
47	7004597						Spring—Pump Return
48	7000286						Guide—Pump Discharge
49	7002118						Spring—Pump Discharge
50	7002117						Ball—Pump Discharge
51	7002120						Ball—Pump Inlet Check
51A	7034609						Retainer—Check Ball
52	7004557						Screen—Pump Inlet
53	NLA						Float Bowl Assembly
54	KIT ONLY						Gasket—Venturi Cluster
55	NLA						Venturi Cluster Assembly
56	7008502						Screw—Venturi Cluster—Outer
57	7009077						Screw—Venturi Cluster—Center
58	KIT ONLY						Gasket—Center Screw
59	120217						Lockwasher—Outer Screws
60	7008660	7008662	7008660	7008660	7008662	7008662	Jet—Standard
61	7011989						Power Valve Assembly
62	KIT ONLY						Gasket—Power Valve
63	7035768						Cam—Fast Idle
64	7003561						Screw—Cam Attaching
65	7020684						Rod—Choke Unloader
66	1875293						Clip—Unloader Rod
67	—	7015127	—	—	7015127	7015127	Screw—Idle Compensator
68	—	7013341	—	—	7013341	7013341	Gasket—Idle Compensator
69	—	7035240	—	—	7035240	7035240	Idle Compensator Kit
	THROTTLE BODY PARTS						
70	KIT ONLY						Gasket—Throttle Body
71	7015105						Screw—Throttle Body
72	121744						Lockwasher—Throttle Body Screws
73	1875293						Clip—Pump Rod
74	7036807						Pump Rod
75	7029427						Fast Idle Screw
76	7029428						Spring—Fast Idle Screw
77	7035727						Fast Idle Lever Assembly
78	7010435						Screw—Fast Idle Lever
79	7002121						Idle Stop Screw
79A	7009728						Spring—Idle Stop Screw
80	NLA						Throttle Body Assembly
81	7041621						Idle Needle
82	7011479						Spring—Idle Needles
83	578912						Gasket—Flange



Delco Carburetor

MODEL 4MV QUADRAJET

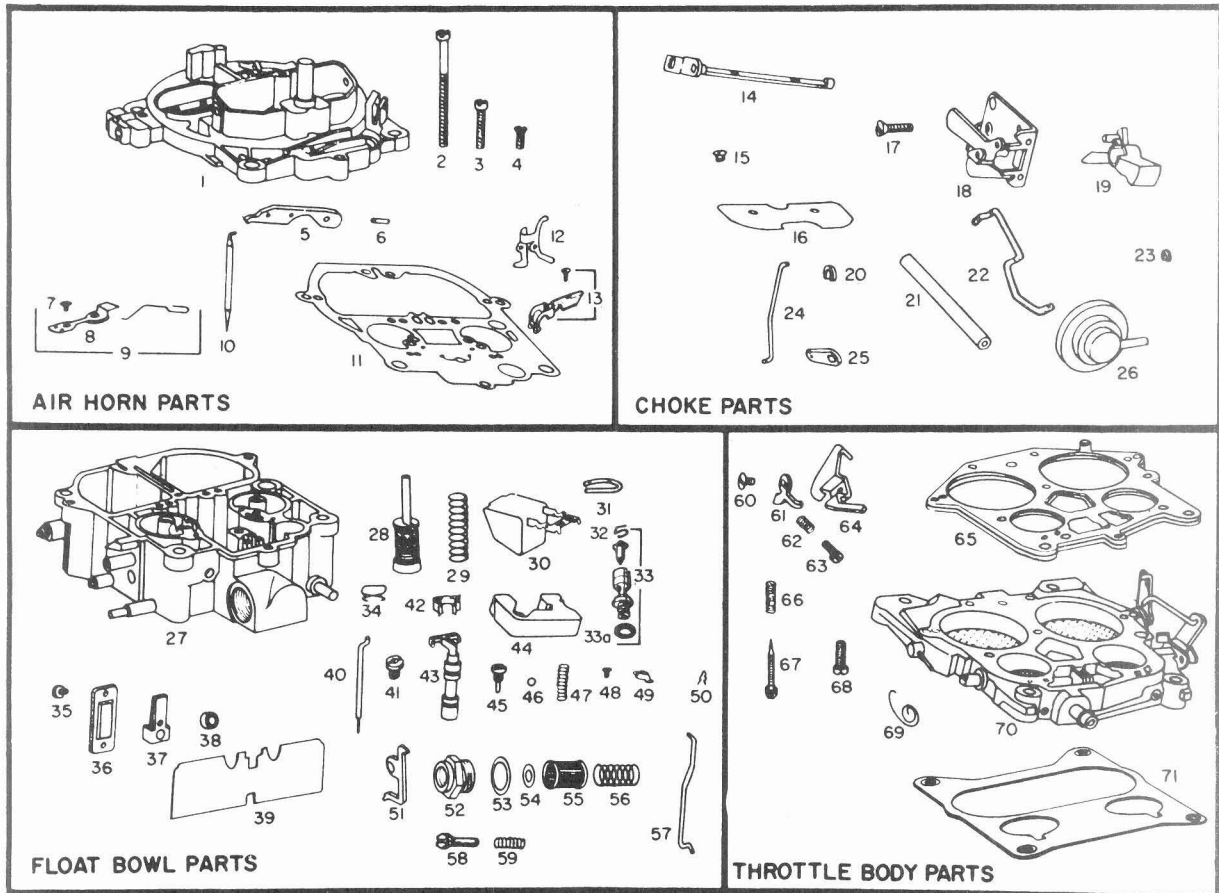
1968 OLDSMOBILE

BULLETIN 9C-5023

DATE: NOVEMBER 1971

PAGE 1

PARTS SHOWN ARE FOR IDENTIFICATION ONLY. CONSULT PARTS LIST FOR CORRECT PART NAME AND NUMBER



PARTS IN ALL COLUMNS SAME EXCEPT WHERE INDICATED

	350 CU. IN. STANDARD	350 CU. IN. W-31 OPTION	400/455 CU. IN. STANDARD	455 CU. IN. TORNADO	400 CU. IN. W-31 OPTION	400 CU. IN. "442"	APPLICATION
	7028250	7028255	7028251	7028252	7028254	7028253	CARBURETOR No.
	24-540	24-550	24-541	24-542	24-549	24-548	REPLACEMENT PACKAGE No.
	7036698	7036708	7036698	7036698	7036707	7036706	OVERHAUL KIT
	9163						POWER CARBURETOR KIT
	40-370						GASKET SET
Illus. No.	AIR HORN PARTS						
1	NLA						Air Horn Assembly
2	7029912						Screw - Air Horn
3	7014699						Screw - Air Horn
4	7031105						Screw - Air Horn
5	7026139						Lever - Pump Actuating
6	9428787						Roll Pin - Pump and Lockout Levers
7	-						Screw - Idle Vent Valve
8	-						Valve - Idle Vent
9	-						Idle Vent Valve Kit
10	7033658	7033658	7033655	7033655	7033655	7033655	Metering Rod - Secondary
11	7029087						Gasket - Air Horn
12	7031393						Lockout Lever - Air Valve
13	7034522						Secondary Metering Rod Holder Kit
	7035344						Air Valve Spring and Cam Kit

	7028250	7028255	7028251	7028252	7028254	7028253	CARBURETOR No.
Illus. No.	CHOKE PARTS						
14	7036435						Choke Shaft and Valve Kit
15	7029866						Screw – Choke Valve
16	NSS						Choke Valve
17	7031925						Screw – Vacuum Break Control
18	7037355						Vacuum Break Control Bracket Assy.
19	7040841						Cam – Fast Idle
20	7032726						Clip – Choke Rod
21	7026339						Hose – Vacuum
22	7038167						Rod – Vacuum Break
23	7005109						Clip – Vacuum Break Rod
24	7033517						Rod – Choke
25	7031231						Lever – Intermediate Choke
26	7038238						Vacuum Break Control Assembly
	FLOAT BOWL PARTS						
27	NLA						Float Bowl Assembly
28	7035031						Pump Assembly
29	7004597						Spring – Pump Return
30	7033752						Float Assembly
31	7029856						Hinge Pin – Float
32	7033751						Pull Clip – Float Needle
33	30-142						Needle and Seat Assembly
33A	KIT ONLY						Gasket – Needle Seat
34	7029862						Spring – Metering Rod – Primary
35	7020926						Screw – Cover Attaching
36	7035049						Cover – Idle Compensator
37	7035906						Idle Compensator Assembly
38	7027970						Gasket – Idle Compensator
39	7031365						Baffle Plate – Float Bowl
40	7034849						Metering Rod – Primary
41	7031971	7031974	7031971	7031971	7031975	7031972	Metering Jet – Primary
42	7034339						Retainer – Power Piston
43	7034903						Power Piston Assembly
44	7034361						Insert – Float Bowl
45	7029849						Retainer – Pump Discharge Ball
46	7002117						Ball – Pump Discharge
47	7036019	7029922	7037734	7036019	7011957	7037734	Spring – Power Piston
48	-						Screw – Diaphragm Retainer
49	-						Retainer – Float Needle Diaphragm
50	836159						Clip – Pump Rod
51	-						Lockout Lever – Secondary
52	7040957						Filter Nut – Fuel Inlet (See Note)
53	7032508						Gasket – Inlet Nut
54	-						Gasket – Filter
55	GF-441						Filter – Fuel Inlet
56	7032732						Spring – Inlet Filter
57	7032716						Rod – Pump
58	7002121						Screw – Idle Stop
59	7003176						Spring – Idle Stop Screw
	THROTTLE BODY PARTS						
60	7035523						Screw – Cam & Fast Idle Levers Attchng.
61	7035774						Lever – Fast Idle
62	7029900						Spring – Fast Idle Screw
63	7035699						Screw – Fast Idle Adjusting
64	7043634						Lever – Cam Follower
65	KIT ONLY						Gasket – Throttle Body
66	7011479						Spring – Idle Needle
67	7041621						Needle – Idle Adjusting
68	7029891						Screw – Throttle Body
69	7035772						Spring – Cam Follower Lever
70	NLA						Throttle Body Assembly
71	404188						Gasket – Flange

ACCESSORIES

7028093	Manifold Stat Coil Assembly (Except Toronado)
7028094	Manifold Stat Coil Assembly (Toronado)

NLA – No Longer Available

NOTE: For Stripped Threads, Replace with 7041634 Adaptor Kit.



Delco Carburetor

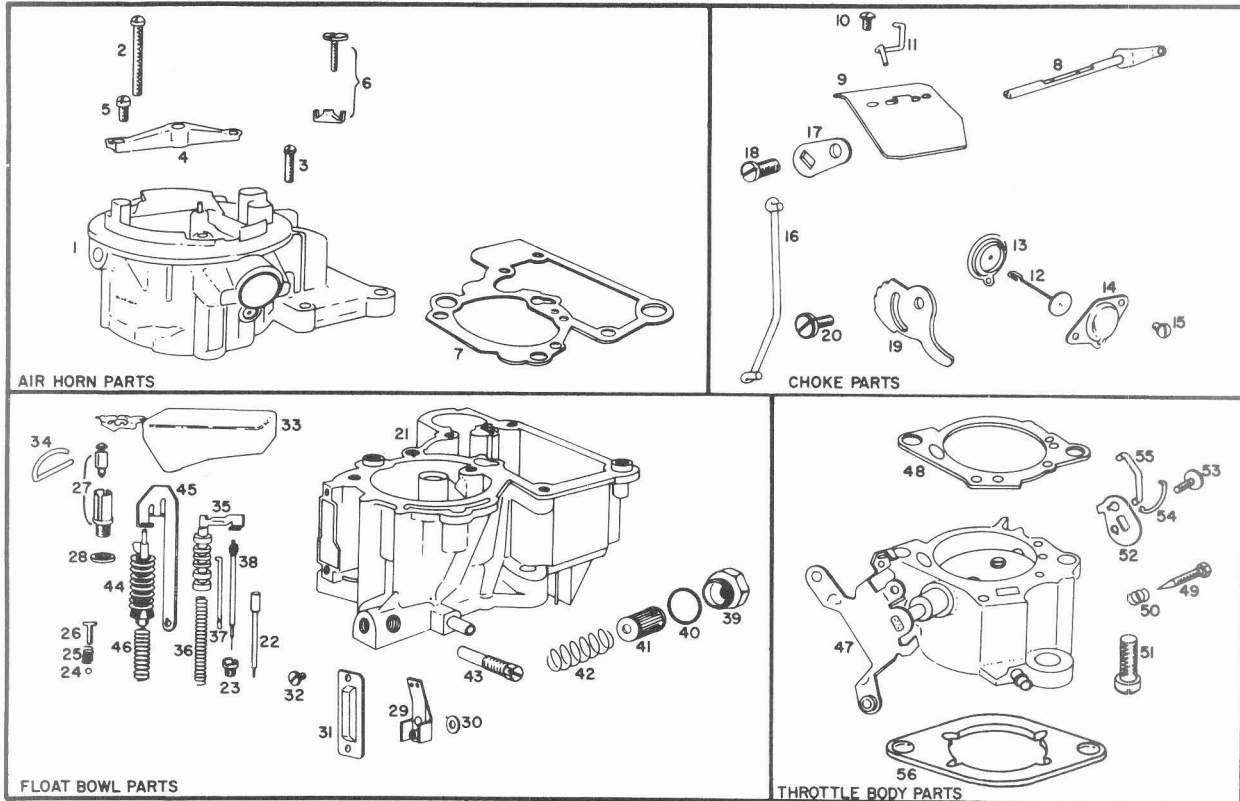
MODEL MV MONOJET

1968-69 OLDSMOBILE "6"

250 CUBIC INCH ENGINE

BULLETIN 9C-5024
 DATE: NOVEMBER 1971
 PAGE 1

PARTS SHOWN ARE FOR IDENTIFICATION ONLY. CONSULT PARTS LIST FOR CORRECT PART NAME AND NUMBER



PARTS IN ALL COLUMNS SAME – EXCEPT WHERE INDICATED

	1968		1969		YEAR
	AUTO. TRANS.	MAN. TRANS.	AUTO. TRANS.	MAN. TRANS.	
	7028014	7028057	7029014	7029057	APPLICATION
	21-374	21-502	21-374	21-503	CARBURETOR No.
	7016824	7036443	7036548	7036607	REPLACEMENT PACKAGE No.
	9147				OVERHAUL KIT
	40-362				POWER CARBURETOR KIT
					GASKET SET
Illus. No.	AIR HORN PARTS				
1	NLA	NLA	7037776	7037587	Air Horn Assembly
2	7038912				Screw – Air Horn – Long
3	7014698				Screw – Air Horn – Short
4	7037774				Bracket – Air Cleaner Stud
5	7038913				Screw – Bracket Attaching
6	7036348				Idle Vent Valve Kit
7	7037591				Gasket – Air Horn
	CHOKE PARTS				
8	7034009	7034009	7036973	7036973	Choke Shaft and Lever Assembly
9	7034012				Choke Valve
10	7020926				Screw – Choke Valve
11	7034013				Connector – Vacuum Break Link
12	7035877	7035877	7037778	7035877	Vacuum Break Link Assy.
13	7034017				Diaphragm – Vacuum Break
14	7034018				Cover – Vacuum Break
15	7020926				Screw – Cover
16	7034057	7034057	7037000	7037000	Choke Rod
17	7034056	7034056	7036973	7036973	Choke Lever
18	7019709				Screw – Choke Lever
19	7036239	7036239	7040633	7037004	Cam – Fast Idle
20	7003561				Screw – Cam Attaching

	7028014	7028057	7029014	7029057	CARBURETOR No.
	FLOAT BOWL PARTS				
Illus. No.					
21	NLA	NLA	7036667	7036442	Float Bowl Assembly
22	7033940				Idle Tube Assembly
23	7034203	7034202	7034203	7034202	Jet – Standard
23	7034200	7034199	7034200	7034199	Jet – Altitude
24	7002117				Ball – Pump Discharge
25	7002118				Spring – Pump Discharge
26	7003838				Guide – Pump Discharge
27	30-133				Needle and Seat Assembly
28	KIT ONLY				Gasket – Needle Seat
29	7035870				Idle Compensator Assembly
30	7027970				Gasket – Idle Compensator
31	7035670				Cover – Idle Compensator
32	7034030				Screw – Cover
33	7037022				Float Assembly
34	7034032				Hinge Pin – Float
35	7035295	7035889	7037780	7035889	Power Piston Assembly
36	7012515				Spring – Power – Power Piston
37	7035297	7036269	7035297	7036269	Rod – Power Piston
–	–	7036270	–	7036270	Spring – Power Piston Rod
38	7035931	7035931	7037974	7035931	Metering Rod & Spring Assembly
39	7033500				Filter Nut – Fuel Inlet
40	7032508				Gasket – Filter Nut
41	GF-427				Filter – Fuel Inlet
42	7031539				Spring – Fuel Filter
43	7034034				Screw – Slow Idle
44	7037595	7037595	7037597	7037595	Pump Assembly
45	7034048				Lever – Pump Actuating
46	7008694				Spring – Pump Return
	THROTTLE BODY PARTS				
47	NLA	NLA	7037033	7037043	Throttle Body Assembly
48	KIT ONLY				Gasket – Throttle Body
49	7041612				Idle Needle
50	7011479				Spring – Idle Needle
51	7038875				Screw – Throttle Body
52	7038049				Lever – Pump and Power Rods
53	7010435				Screw – Lever Attaching
54	7035502				Link – Power Piston Rod
55	7037981				Link – Pump Lever
56	3953732				Gasket – Flange

ACCESSORIES	
7036450	Diverter Valve Assembly – 1968
7029198	Diverter Valve Assembly – 1969

NLA – No Longer Available



Delco Carburetor

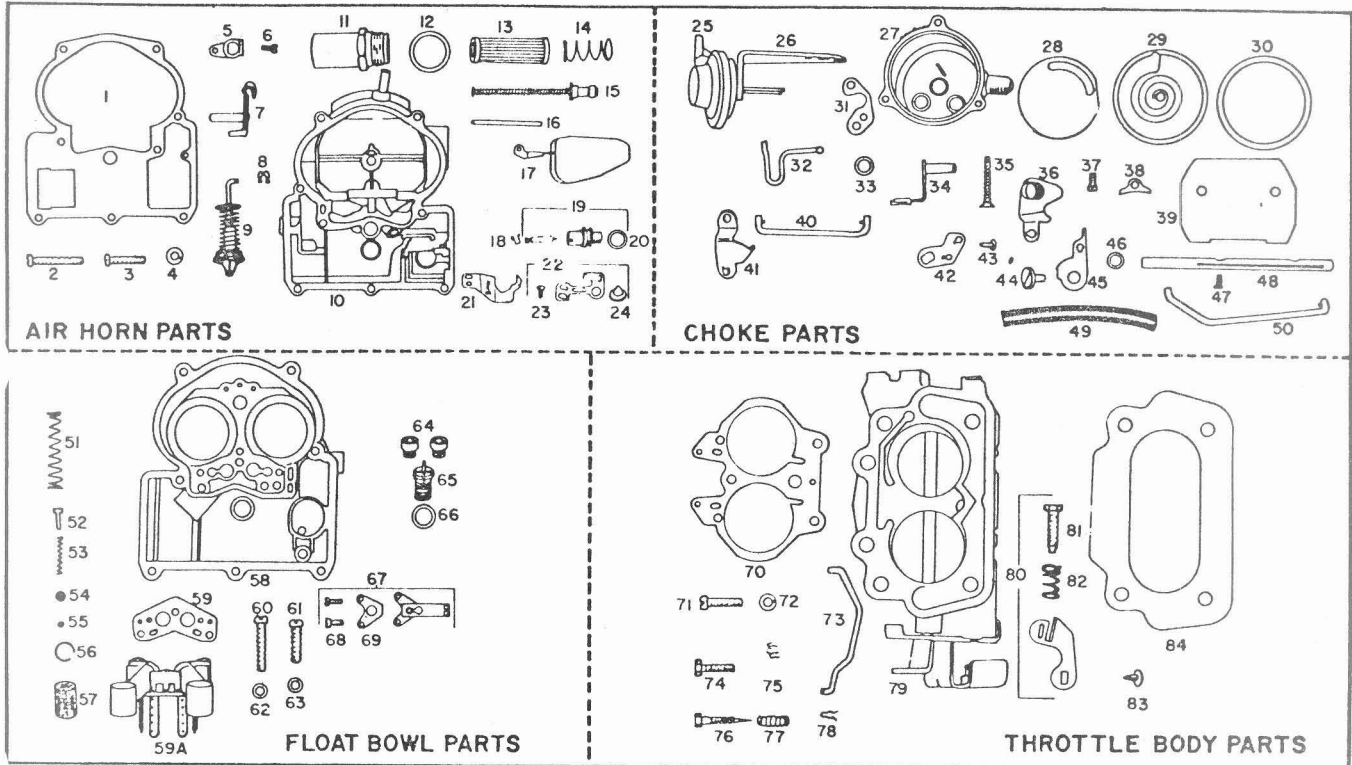
MODEL 2GC CARBURETORS

1969 OLDSMOBILE

350 CUBIC INCH ENGINE

BULLETIN 9C-5025
 DATE: NOVEMBER 1971
 PAGE 1

PARTS SHOWN ARE FOR IDENTIFICATION ONLY. CONSULT PARTS LIST FOR CORRECT PART NAME AND NUMBER



PARTS IN ALL COLUMNS SAME EXCEPT WHERE INDICATED

	350 MAN. TRANS.	350 AUTO. TRANS.	400 & 455 NON AIR COND. ALL	400 & 455 AIR COND. ALL	APPLICATION
	7029155	7029156	7029158	7029159	CARBURETOR No.
	22-548	22-548	22-547	22-547	REPLACEMENT PACKAGE No.
	7036617				OVERHAUL KIT
	9157				POWER CARBURETOR KIT (NEO-tiP)
	9158				POWER CARBURETOR KIT (STEEL)
	40-368				GASKET SET
Illus. No.	AIR HORN PARTS				
1	7035815				Gasket - Air Horn
2	7010432				Screw - Air Horn - Long
3	7006119				Screw - Air Horn - Short
4	120217				Lockwasher - Air Horn Screw
5	7032377				Pump Lever - Inside
6	7011270				Screw - Pump Lever
7	7036764				Pump Shaft & Lever Assy.
8	7005032				Clip - Pump Lever
9	7032280				Pump Assembly
10	7035385				Air Horn Assembly
11	7040957				Filter Nut - Fuel Inlet
12	7032508				Gasket - Filter Nut
13	GF-441				Filter - Fuel Inlet
14	7032732				Spring - Fuel Inlet Filter
15	7006011	7009718	7006011	7006011	Power Piston Assembly
16	7010037				Pin - Float Hinge
17	7035592				Float Assembly
18	7037806				Pull Clip - Float Needle
19	30-132				Needle & Seat Assy. (Neo-tiP)
19	7035386				Needle & Seat Assy. (Steel)
20	KIT ONLY				Gasket - Needle Seat
21	7012835				Shield - Idle Vent

	7029155	7029156	7029158	7029159	CARBURETOR No.
Illus. No.	AIR HORN PARTS (Continued)				
22	7012252				Idle Vent Valve Kit
23	7012548				Screw – Idle Vent Valve
24	7029993				Idle Vent Valve
	CHOKE PARTS				
25	7037906				Vacuum Break Control Assembly
26	7027641				Vacuum Break Control & Bracket Assy.
—	7037570				Screw – Control Attaching
27	7037226				Choke Housing
28	7037239				Baffle Plate
29	7036726	7036726	7036609	7036609	Stat Cover, Coil & Gasket Assy.
30	7002760				Gasket – Stat Cover
31	7037796				Gasket – Choke Housing
32	7037243				Link – Vacuum Break
33	7037569				Dust Seal – Inter. Choke Shaft
34	7037227				Intermediate Choke Shaft Assy.
35	7013704				Screw – Choke Housing
36	7037244				Cam Lever & Bushing Assembly
37	7011270				Screw – Stat Cover
38	7000614				Retainer – Stat Cover
39	7033443				Choke Valve
40	7037242				Intermediate Choke Rod
41	7037904				Intermediate Choke Lever
42	7037247				Choke Lever
43	7019709				Screw – Choke Levers
44	7003561				Screw – Cam Attaching
45	7037240				Cam – Fast Idle
46	7037569				Dust Seal – Choke Shaft
47	7007627				Screw – Choke Valve
48	7037219				Choke Shaft
49	7026339				Hose – Vacuum
50	7037241				Choke Rod
	FLOAT BOWL PARTS				
51	7004597				Spring – Pump Return
52	7000286				Guide – Pump Discharge
53	7002118				Spring – Pump Discharge
54	7002117				Ball – Pump Discharge
55	7002120				Ball – Pump Inlet Check
56	7034609				Retainer – Check Ball
57	7004557				Strainer – Pump Inlet
58	7035387				Float Bowl Assembly
59	KIT ONLY				Gasket – Venturi Cluster
59A	7038631	7038551	7031516	7031516	Venturi Cluster Assembly
60	7008502				Screw – Cluster – Outer
61	7009077				Screw – Cluster – Center
62	120217				Lockwasher – Outer Screw
63	KIT ONLY				Gasket – Center Screw
64	7008660	7008662	7008662	7008662	Jet – Standard
65	7011989				Power Valve Assembly
66	7011990				Gasket – Power Valve
67	—	7038638		7035240	Idle Compensator Assembly
68	—	7015127		7015127	Screw – Idle Compensator
69	—	7013341		7013341	Gasket – Idle Compensator
	THROTTLE BODY PARTS				
70	KIT ONLY				Spacer – Throttle Body
71	7015105				Screw – Throttle Body
72	121744				Lockwasher – Throttle Body
73	7036807				Pump Rod
74	7002121				Idle Stop Screw
75	7009728				Spring – Idle Stop Screw
76	7041621				Idle Needle
77	7011479				Spring – Idle Needle
78	1875293				Clip – Pump Rod
79	7036765				Throttle Body Assembly
80	7037222				Fast Idle Lever Assy
81	7029427				Screw – Fast Idle
82	7029428				Spring – Fast Idle Screw
83	7010435				Screw – Lever Attaching
84	578912				Flange Gasket



Delco Carburetor

MODEL 4MV QUADRAJET

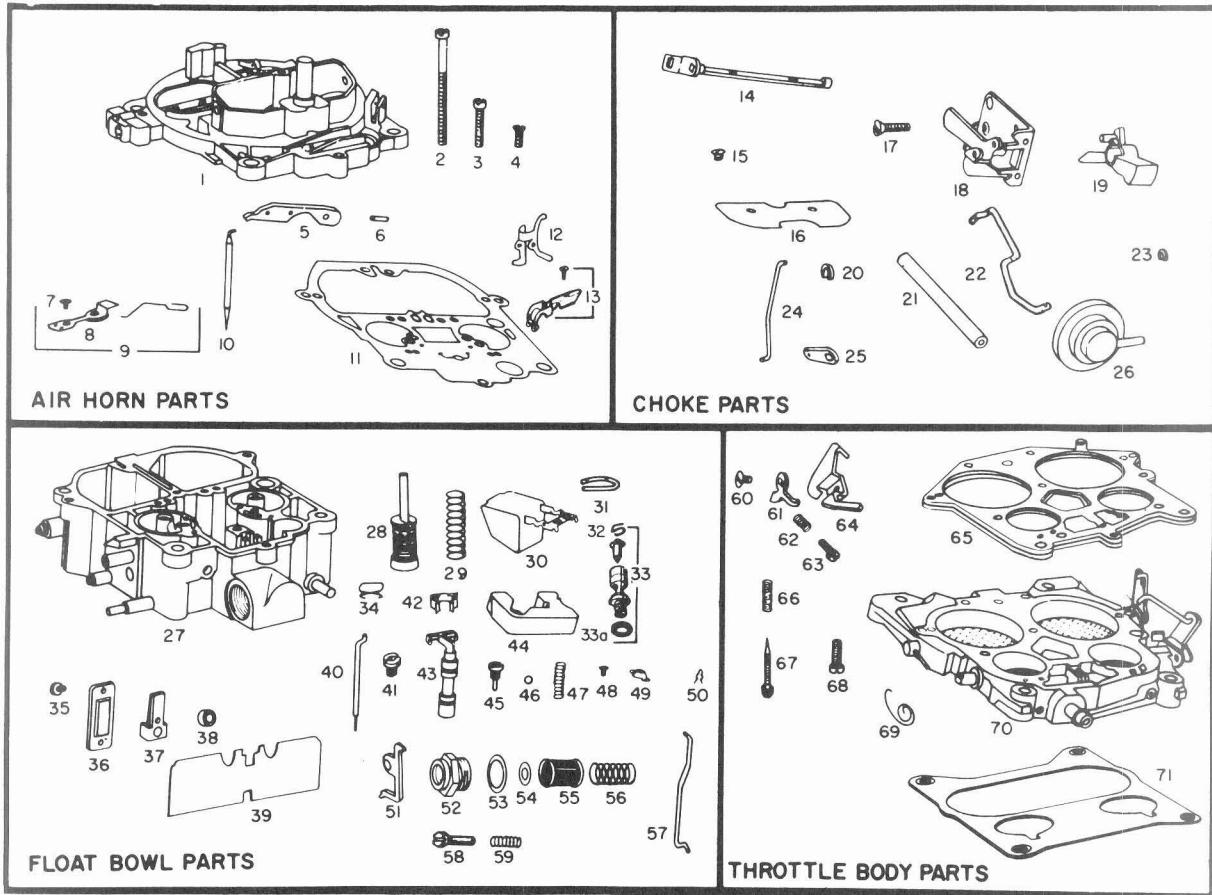
1969 OLDSMOBILE

BULLETIN 9C-5026

DATE: NOVEMBER 1971

PAGE 1

PARTS SHOWN ARE FOR IDENTIFICATION ONLY. CONSULT PARTS LIST FOR CORRECT PART NAME AND NUMBER



PARTS IN ALL COLUMNS SAME – EXCEPT WHERE INDICATED

350 CU. IN. STANDARD	400/455 CU. IN. STANDARD	455 CU. IN. TORONADO	400 CU. IN. W/O W-30M/T	400 CU. IN. W-30 ALL	350 CU. IN. W-31M/T	APPLICATION
7029250	7029251	7029252	7029253	7029254	7029255	CARBURETOR No.
24-540	24-541	24-542	24-548	24-549	24-550	REPLACEMENT PACKAGE No.
7036698	7036698	7036698	7036706	7036707	7036708	OVERHAUL KIT
9163						POWER CARBURETOR KIT
40-370						GASKET SET
7036731	7036732	7036674	7036733	7036673	7036675	ALTITUDE KIT

Illus. No.	AIR HORN PARTS						
1	7037443						Air Horn Assembly
2	7029912						Screw – Air Horn
3	7014699						Screw – Air Horn
4	7031105						Screw – Air Horn
5	7026139						Lever – Pump Actuating
6	9428787						Roll Pin – Pump and Lockout Levers
7	–						Screw – Idle Vent Valve
8	–						Valve – Idle Vent
9	–						Idle Vent Valve Kit
10	7033658	7033655	7033655	7033655	7033655	7033655	Metering Rod – Secondary
11	7029087						Gasket – Air Horn
12	7037968						Lockout Lever – Air Valve
13	7034522						Secondary Metering Rod Holder Kit
	7035344						Air Valve Spring and Cam Kit

	7029250	7029251	7029252	7029253	7029254	7029255	CARBURETOR No.
Illus. No.	CHOKE PARTS						
14	7036435						Choke Shaft and Valve Kit
15	7029866						Screw – Choke Valve
16	NSS						Choke Valve
17	7031925						Screw – Vacuum Break Control
18	7037970	7037970	7037972	7037970	7037970	7037970	Vacuum Break Control and Bracket Assy
19	7040841						Cam – Fast Idle
20	7032726						Clip – Choke Rod
21	7026339						Hose – Vacuum
22	7038167						Rod – Vacuum Break
23	7005109						Clip – Vacuum Break Rod
24	7033517						Rod – Choke
25	7031231						Lever – Intermediate Choke
26	7038238						Vacuum Break Control Assembly
	FLOAT BOWL PARTS						
27	7036612	7036612	7036613	7036612	7036612	7036703	Float Bowl Assembly
28	7035031						Pump Assembly
29	7004597						Spring – Pump Return
30	7033752						Float Assembly
31	7029856						Hinge Pin – Float
32	7033751						Pull Clip – Float Needle
33	30-142						Needle and Seat Assembly
33A	KIT ONLY						Gasket – Needle Seat
34	7029862						Spring – Metering Rod – Primary
35	7020926						Screw – Cover Attaching
36	7035049						Cover – Idle Compensator
37	7035906						Idle Compensator Assembly
38	7027970						Gasket – Idle Compensator
39	7031365						Baffle Plate – Float Bowl
40	7034849						Metering Rod – Primary
41	7031970	7031970	7031970	7031972	7031975	7031974	Metering Jet – Primary
42	7034339						Retainer – Power Piston
43	7034903						Power Piston Assembly
44	7034361						Insert – Float Bowl
45	7029849						Retainer – Pump Discharge Ball
46	7002117						Ball – Pump Discharge
47	7036019	7037734	7037734	7037734	7011957	7029922	Spring – Power Piston
48	–						Screw – Diaphragm Retainer
49	–						Retainer – Float Needle Diaphragm
50	836159						Clip – Pump Rod
51	–						Lockout Lever – Secondary
52	7040957						Filter Nut – Fuel Inlet (See Note)
53	7032508						Gasket – Inlet Nut
54	–						Gasket – Filter
55	GF-441						Filter – Fuel Inlet
56	7032732						Spring – Inlet Filter
57	7032716						Rod – Pump
58	7002121						Screw – Idle Stop
59	7003176						Spring – Idle Stop Screw
	THROTTLE BODY PARTS						
60	7035523						Screw – Cam & Fast Idle Levers Attchng.
61	7035774						Lever – Fast Idle
62	7029900						Spring – Fast Idle Screw
63	7035699						Screw – Fast Idle Adjusting
64	7043634						Lever – Cam Follower
65	KIT ONLY						Gasket – Throttle Body
66	7011479						Spring – Idle Needle
67	7041621	7041621	7041621	7041621	7041621	7041612	Needle – Idle Adjusting
68	7035790						Screw – Throttle Body
69	7035772						Spring – Cam Follower Lever
70	7036614	7036614	7036615	7036704	7036720	7036705	Throttle Body Assembly
71	404188						Gasket – Flange

ACCESSORIES	
7029093	Manifold Stat Coil Assembly (Standard)
7029094	Manifold Stat Coil Assembly (Toronado)

NSS – Not Serviced Separately

NOTE: For Stripped Threads, Replace with 7041634 Adaptor Kit.