



Delco Carburetor

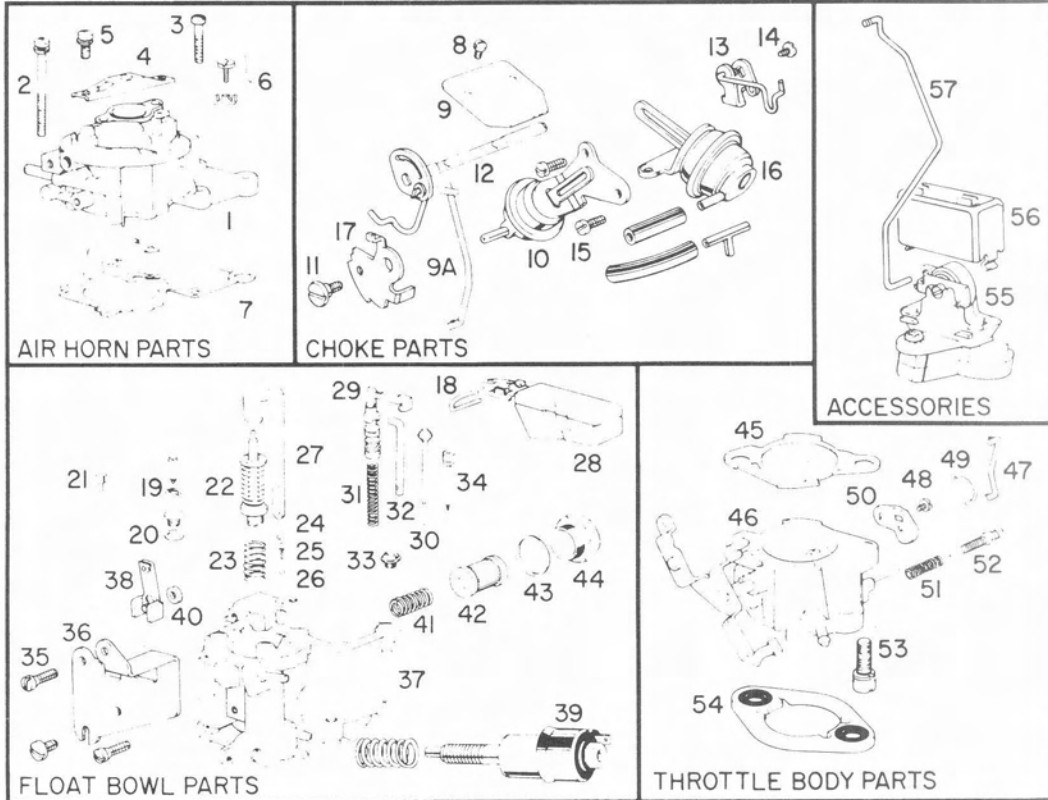
MODEL MV CARBURETORS

1975 PONTIAC LEMANS, VENTURA & FIREBIRD "6"

250 CUBIC INCH ENGINE

BULLETIN 9C-6065
DATE: July, 1978
PAGE 1
Replaces 9C-6065
Dated January 1975

PARTS SHOWN ARE FOR IDENTIFICATION ONLY. CONSULT PARTS LIST FOR CORRECT PART NAME AND NUMBER



PARTS IN ALL COLUMNS SAME – EXCEPT WHERE INDICATED

	AUTOMATIC TRANS. FEDERAL	MANUAL TRANS. FEDERAL	AUTOMATIC TRANS. CALIFORNIA	APPLICATION
	7045012	7045013	7045314	CARBURETOR No.
	21-3149	21-3092	21-3092	REPLACEMENT PACKAGE No.
	17051892	17051891	17051891	OVERHAUL KIT
	9248			POWER CARBURETOR KIT
	40-412			GASKET SET
Illus. No.	AIR HORN PARTS			
1	17050834			Air Horn Assembly
2	7043089			Screw—Air Horn (Long)
3	7030917			Screw—Air Horn (Short)
4	7043588			Bracket—Air Cleaner Stud
5	7042813			Screw—Bracket Attaching
6	—			Idle Vent Valve Kit
7	7035166			Gasket—Air Horn
	CHOKE PARTS			
8	7020926			Screw—Choke Valve
9	17052251			Choke Valve
9A	7043122			Link—Vacuum Break—Sec.
10	7043127			Vac. Break Control—Sec.
11	7003561			Screw—Cam Attaching
12	7043099			Choke Shaft, Lever & Link
13	17051769			Choke Lever & Link
14	7019709			Screw—Choke Lever
15	7043095			Screw—Vac. Break Bracket
16	17060445			Vacuum Break Control Assembly—Pri.
—	7026339			Hose—Vac. Break
17	17052358			Cam—Fast Idle

	7045012	7045013	7045314	CARBURETOR No.
Illus. No.	FLOAT BOWL PARTS			
18	7034032			Hinge Pin—Float
19	30-133			Needle and Seat Assembly
20	KIT ONLY			Gasket—Needle Seat
21	—			Power Valve
22	7037595			Pump Assembly
23	7041176			Spring—Pump Return
24	7003838			Guide—Pump Discharge
25	7002118			Spring—Pump Discharge
26	7002117			Ball—Pump Discharge
27	17056474			Lever—Pump Actuating
28	7037022			Float Assembly
29	7037804	7037804	7035512	Power Piston Assembly
30	17052051			Metering Rod & Spring Assembly
31	7034360	7036280	7012515	Spring—Power Piston
32	17054016			Rod—Power Piston Kit
33	7034206			Jet—Main Metering
34	17052344	17052340	17052344	Idle Tube Assembly
35	7041287			Screw—Bracket (2)
—	17050024			Screw—Bracket (1)
36	17050025			Bracket—Throttle Return Spring
37	17050697	17052727	17051894	Float Bowl Assembly
38	17060388			Idle Compensator Assembly
39	7043575			Solenoid—Idle Stop
40	7027970			Gasket—Idle Compensator
41	7032732			Spring—Fuel Filter
42	GF-427			Filter—Fuel Inlet
43	7032508			Gasket—Filter Nut
44	7038946			Filter Nut—Fuel Inlet
	THROTTLE BODY PARTS			
45	KIT ONLY			Gasket—Throttle Body
46	17052059			Throttle Body Assembly
47	7035267			Link—Pump Lever
48	7010435			Screw—Lever Attaching
49	17054016			Link—Power Piston Rod Kit
50	17054016			Lever—Pump and Power Rods Kit
51	7038989			Spring—Idle Needle
52	7048964			Idle Needle
53	7043087			Screw—Throttle Body
54	333977			Insulator—Flange
	ACCESSORIES			
55	17052651			Manifold Stat Coil Assembly
56	17051424			Cover—Manifold Stat Coil
57	7043516			Link—Manifold Stat Coil



Delco Carburetor

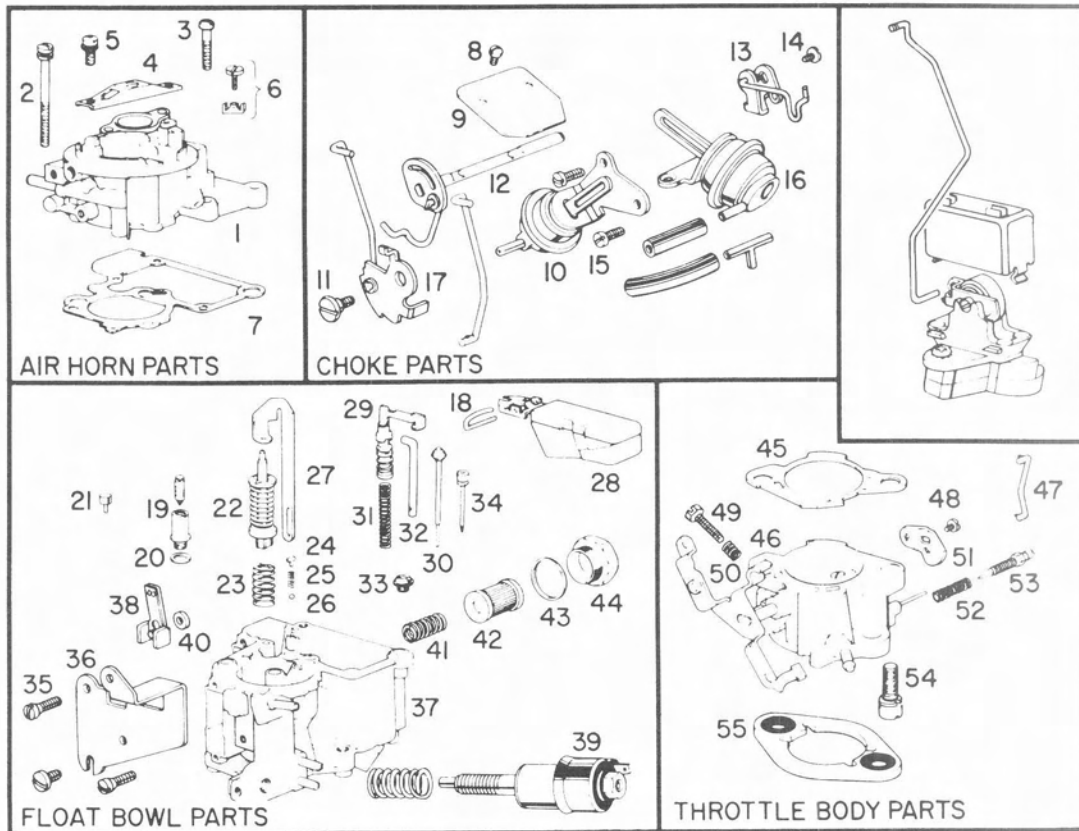
MODEL 1MV MONOJET

1975 PONTIAC ASTRE

140 CUBIC INCH "4"

BULLETIN 9C-6066
 DATE: July, 1978
 PAGE 1
 Replaces 9C-6066
 Dated November 1975

PARTS SHOWN ARE FOR IDENTIFICATION ONLY. CONSULT PARTS LIST FOR CORRECT PART NAME AND NUMBER



PARTS IN ALL COLUMNS SAME — EXCEPT WHERE INDICATED

	FEDERAL AUTO. TRANS.	FEDERAL 4-SPEED MAN. TRANS.	FEDERAL 3-SPEED MAN. TRANS.	APPLICATION
	7045024	7045025	7045021	CARBURETOR No. (Non Air Cond.)
	7045028	7045029	7045321	CARBURETOR No. (Air Cond.)
	21-3096	21-3096	21-3096	REPLACEMENT PACKAGE No.
	7046682			OVERHAUL KIT
	9249			POWER CARBURETOR KIT
	40-413			GASKET SET
Illus. No.	AIR HORN PARTS			
1	17050828			Air Horn Assembly
2	7043089			Screw—Air Horn (Long)
3	7030917			Screw—Air Horn (Short)
4	7043656			Bracket—Air Cleaner Stud
5	7042813			Screw—Bracket Attaching
6	—			Idle Vent Valve Kit
7	7040137			Gasket—Air Horn
	CHOKE PARTS			
8	7020926			Screw—Choke Valve
9	7049918			Choke Valve
10	7043090			Aux. Vacuum Brk. Assy. Secondary
11	7003561			Screw—Cam Attaching
12	7043083			Choke Shaft Lever & Link Assembly
13	7041238			Choke Lever & Link Assembly
14	7019709			Screw—Choke Lever
15	7043095			Screw—Vac. Break Bracket
16	7043098			Vacuum Break Control Assembly Aux.
—	7043086			Link—Sec. Vac. Break
—	7026339			Host Vacuum
17	17053085			Cam & Link Assy.

	7045024	7045025	7045021	CARBURETOR No. (Non Air Cond.)
	7045028	7045029	7045321	CARBURETOR No. (Air Cond.)
Illus. No.	FLOAT BOWL PARTS			
18	7034032			Hinge Pin—Float
19	30-149			Needle and Seat Assembly
20	KIT ONLY			Gasket—Needle Seat
21	7030668			Power Valve
22	7045943			Pump Assembly
23	7004597			Spring—Pump Return
24	7003838			Guide—Pump Discharge
25	7002118			Spring—Pump Discharge
26	7002117			Ball—Pump Discharge
27	17056474			Lever—Pump Actuating
28	7037022			Float Assembly
29	—			Power Piston Assembly
30	—			Metering Rod & Spring Assembly
31	—			Spring—Power Piston
32	—			Rod—Power Piston
33	7034152	7034151	7034151	Jet—Main Metering
34	17052329	17052332	17052332	Idle Tube Assembly
35	7041272			Screw—Cover (Air Cond.)
36	7041512			Cover—Idle Compensator (Air Cond.)
37	17050666	7046966	7046966	Float Bowl Assembly
38	7035667	7035288	7035288	Idle Compensator Assembly (Air Cond.)
39	—			Screw—Slow Idle
40	7027970			Gasket—Idle Compensator (Air Cond.)
41	7032732			Spring—Fuel Filter
42	GF-427			Filter—Fuel Inlet
43	7032508			Gasket—Filter Nut
44	7038946			Filter Nut—Fuel Inlet
—	7040219			Solenoid—Idle Stop
—	7040519			Spring—Solenoid Locking
	THROTTLE BODY PARTS			
45	KIT ONLY			Gasket—Throttle Body
46	17052478	17052469	17052478	Throttle Body Assembly
47	7040900			Link—Pump Lever
48	7010435			Screw—Lever Attaching
49	17050381			Screw—Fast Idle
50	7041519			Spring—Fast Idle Screw
51	7027005			Lever Pump Rod
52	7038989			Spring—Idle Needle
53	7048964			Idle Needle
54	7043087			Screw—Throttle Body
55	3983440			Gasket—Flange
—	331124			Insulator—Flange



Delco Carburetor

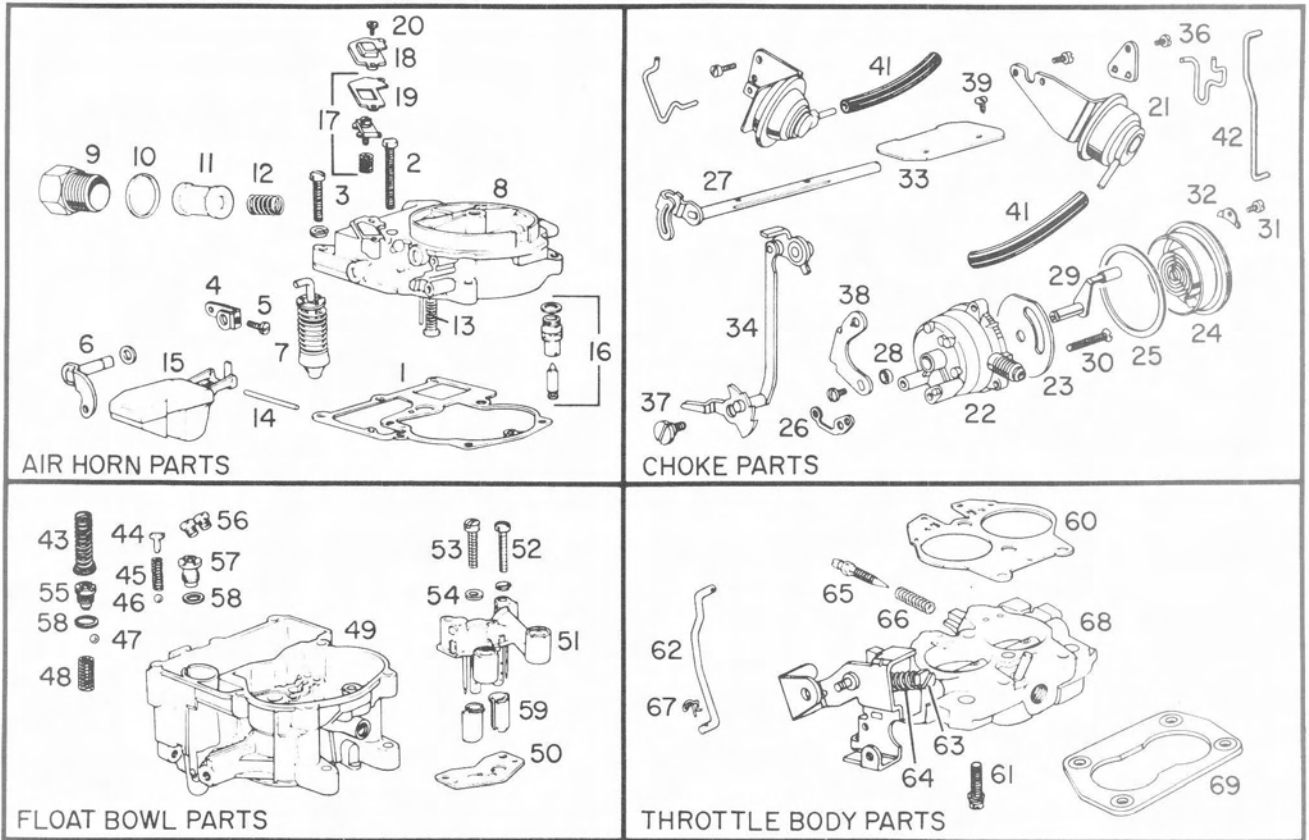
MODEL 2GC CARBURETORS

1975 PONTIAC LEMANS, GRAND PRIX & FIREBIRD V-8

BULLETIN 9C-6067
DATE: July, 1978
PAGE 1
Replaces 9C-6067
Dated January 1975

350 & 400 CUBIC INCH ENGINES
AUTOMATIC TRANSMISSION

PARTS SHOWN ARE FOR IDENTIFICATION ONLY. CONSULT PARTS LIST FOR CORRECT PART NAME AND NUMBER



PARTS IN ALL COLUMNS SAME – EXCEPT WHERE INDICATED

	LEMANS	FIREBIRD	GRAND PRIX LEMANS 400 (EARLY)	GRAND PRIX LEMANS 400 (LATE)	
	350	350	350	350	APPLICATION
	7045162	7045171	7045160	7045161	CARBURETOR No.
	22-6050	22-6050	22-6041	22-6041	REPLACEMENT PKG. No.
	17051951	17051947	17051951	17051951	OVERHAUL KIT
	9273				POWER CARB. KIT
	40-432				GASKET SET
Illus. No.	AIR HORN PARTS				
1	17050409				Gasket—Air Horn
2	7010432				Screw—Air Horn—Long
3	7006119				Screw—Air Horn—Short
4	7032377				Pump Lever—Inside
5	7011270				Screw—Pump Lever
6	7049900				Pump Shaft & Lever Assy.
7	17052368				Pump Assembly
8	17051945	17051945	17051948	17051948	Air Horn Assembly
9	7040955				Filter Nut—Fuel Inlet
10	7032508				Gasket—Filter Nut
11	GF-427				Filter—Fuel Inlet
12	7034356				Spring—Filter
13	7009718	7009718	7009718	7006323	Power Piston Assy.
14	7002081				Pin—Float Hinge
15	7037512				Float Assembly
16	30-132				Needle & Seat Assy.
17	17052733				Idle Vent Valve Kit
18	17050272				Cover—Vent Valve
19	17053051				Gasket—Vent Valve
20	7015127				Screw—Cover

	70 45162	7045171	7045160	7045161	CARBURETOR No.
Illus. No.	CHOKE PARTS				
21	7043586				Vacuum Break Control & Bracket Assy. Aux.
—	7037570				Screw—Control Attaching
22	7047853				Choke Housing
23	7037239				Baffle Plate
24	7046739				Stat Cover, Coil & Gasket Assy.
25	17050961				Gasket—Stat Cover
26	7037796				Gasket—Choke Housing
27	SEE NOTE				Link—Vacuum Break
28	7037569				Dust Seal—Inter. Choke Shaft
29	7037227				Intermediate Choke Shaft Assy.
30	7013704				Screw—Choke Housing
31	7011270				Screw—Stat Cover
32	7000614				Retainer—Stat Cover
33	7033443				Choke Valve
34	17050491				Choke Lever Link & Cam Assy.
35	SEE NOTE				Choke Lever
36	7019709				Screw—Choke Levers
37	7036222				Screw—Cam Attaching
38	7030990				Intermediate Choke Lever
39	7007627				Screw—Choke Valve
40	SEE NOTE				Choke Shaft Assembly
41	7026339				Hose—Vacuum
42	7043159				Choke Rod
—	7044064				Main Vacuum Break & Brkt. Assy.
—	7043147				Link—Aux. Vacuum Break
—	7037570				Screw—Control Attaching
	FLOAT BOWL PARTS				
43	17050241				Spring—Pump Return
44	KIT ONLY				Guide—Pump Discharge
45	7002118				Spring—Pump Discharge
46	7002117				Ball—Pump Discharge
47	17050240				Ball—Pump Inlet Check
48	KIT ONLY				Strainer—Pump Inlet
49	17051944	17051944	17051949	17051949	Float Bowl Assembly
50	KIT ONLY				Gasket—Venturi Cluster
51	17053361	17053361	17053191	17053191	Venturi Cluster Assembly
52	7045762				Screw—Cluster—Outer
53	7009077				Screw—Cluster—Center
54	KIT ONLY				Gasket—Center Screw
55	17050246				Aux. Power Valve
56	7002647	7002647	7002652	7002652	Jet—Standard
57	17063645				Power Valve Assembly
58	KIT ONLY				Gasket—Power Valve
59	7037286				Insert—Main Well
	THROTTLE BODY PARTS				
60	KIT ONLY				Gasket—Throttle Body
61	7015105				Screw—Throttle Body
62	7041345				Pump Rod Kit
63	7029427				Idle Stop Screw
64	7029428				Spring—Idle Stop Screw
65	17050301				Idle Needle
66	7011479				Spring—Idle Needle
67	7018186				Clip—Pump Rod
68	17051942	17051942	17051950	17051950	Throttle Body Assembly
69	496675				Flange Gasket

NOTE: REPLACE WITH 17051941 CHOKE SHAFT, LEVER & LINK KIT



Delco Carburetor

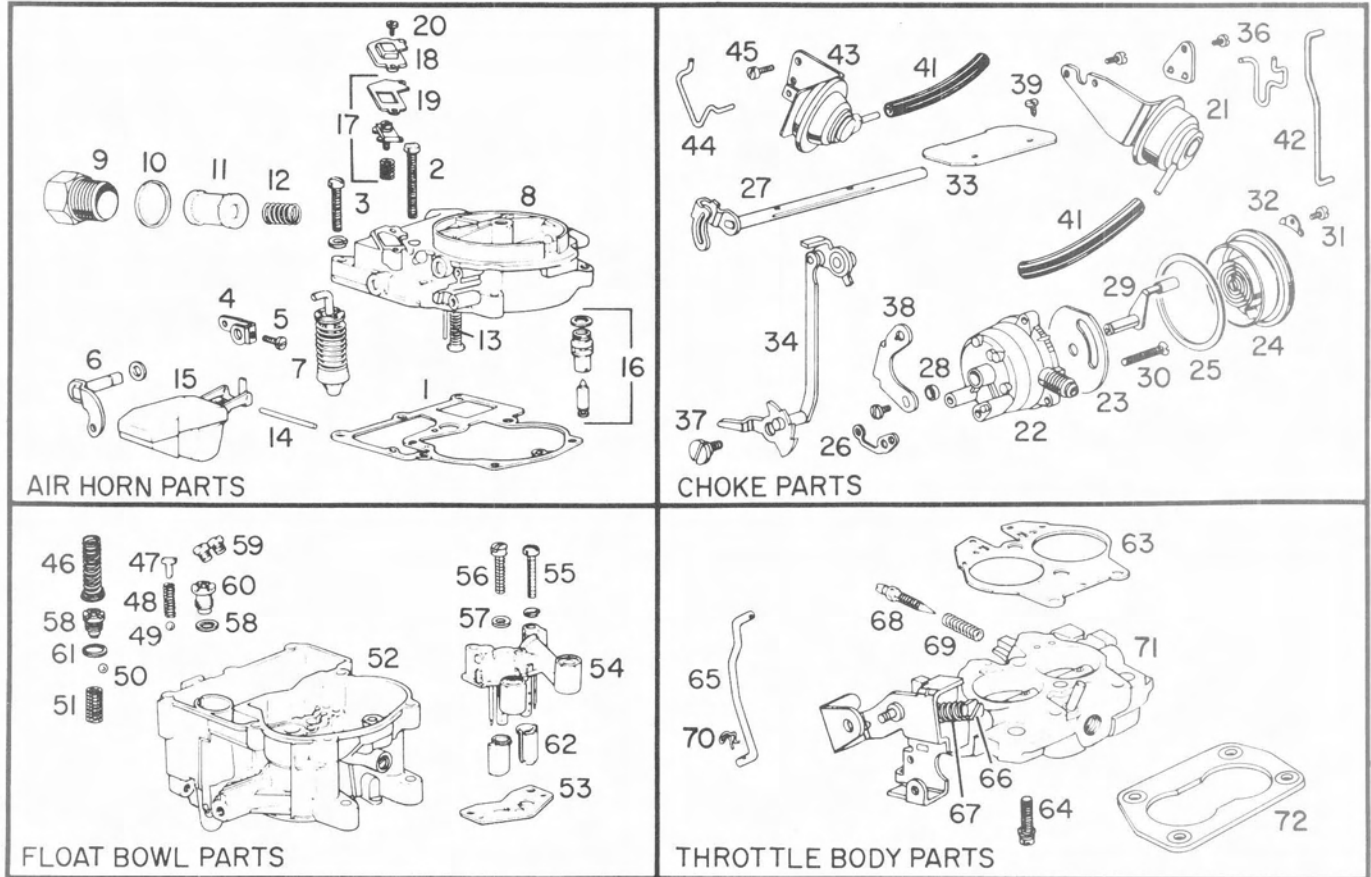
MODEL 2GC CARBURETORS

1975 PONTIAC, GRAND PRIX, LEMANS & FIREBIRD V-8

350 & 400 CUBIC INCH ENGINES AUTOMATIC TRANSMISSION

BULLETIN 9C-6067A
DATE: July, 1978
PAGE 1
Replaces 9C-6067A
Dated November 1975

PARTS SHOWN ARE FOR IDENTIFICATION ONLY. CONSULT PARTS LIST FOR CORRECT PART NAME AND NUMBER



PARTS IN ALL COLUMNS SAME — EXCEPT WHERE INDICATED

	LEMANS	FIREBIRD	GRAND PRIX LEMANS B-SEDAN FED-400 LATE	APPLICATION
	FED 350 LATE	FED. 350 LATE		CARBURETOR No.
	7045163	7045173	7045167	REPLACEMENT PKG. No.
	22-6050	22-6050	22-6050	OVERHAUL KIT
	17052965			POWER CARB. KIT
	9300			GASKET SET
	40-432			
Illus. No.	AIR HORN PARTS			
1	17050409			Gasket—Air Horn
2	7010432			Screw—Air Horn—Long
3	7006119			Screw—Air Horn—Short
4	7032377			Pump Lever—Inside
5	7011270			Screw—Pump Lever
6	7049900			Pump Shaft & Lever Assy.
7	17050232			Pump Assembly
8	17051945	17051945	17065264	Air Horn Assembly
9	7040955			Filter Nut—Fuel Inlet
10	7032508			Gasket—Filter Nut
11	GF-427			Filter—Fuel Inlet
12	7034356			Spring—Filter
13	7006323			Power Piston Assy.

	7045163	7045173	7045167	CARBURETOR No.
Illus. No.	AIR HORN PARTS (Con't)			
14	7002081			Pin—Float Hinge
15	7037512			Float Assembly
16	30-132			Needle & Seat Assy.
17	17052733			Idle Vent Valve Kit
18	17050272			Cover—Vent Valve
19	17053051			Gasket—Vent Valve
20	7015127			Screw—Cover
CHOKE PARTS				
21	7043586			Vacuum Break Control & Bracket Assy. Aux.
—	7037570			Screw—Control Attaching
22	7047853			Choke Housing
23	7037239			Baffle Plate
24	7046739			Stat Cover, Coil & Gasket Assy.
25	17050961			Gasket—Stat Cover
26	7037796			Gasket—Choke Housing
27	SEE NOTE			Link—Vacuum Break
28	7037569			Dust Seal—Inter. Choke Shaft
29	7037227			Intermediate Choke Shaft Assy.
30	7013704			Screw—Choke Housing
31	7011270			Screw—Stat Cover
32	7000614			Retainer—Stat Cover
33	7033443			Choke Valve
34	17050491			Choke Lever Link & Cam Assy.
35	SEE NOTE			Choke Lever
36	7019709			Screw—Choke Levers
37	7036222			Screw—Cam Attaching
38	7030990			Intermediate Choke Lever
39	7007627			Screw—Choke Valve
40	SEE NOTE			Choke Shaft Assembly
41	7026339			Hose—Vacuum
42	7043159			Choke Rod
43	7044064			Main Vacuum Break & Brkt. Assy.
44	7043147			Link—Aux. Vacuum Break
45	7037570			Screw—Control Attaching
FLOAT BOWL PARTS				
46	17050241			Spring—Pump Return
47	KIT ONLY			Guide—Pump Discharge
48	7002118			Spring—Pump Discharge
49	7002117			Ball—Pump Discharge
50	17050240			Ball—Pump Inlet Check
51	—			Strainer—Pump Inlet
52	17065225			Float Bowl Assembly
53	KIT ONLY			Gasket—Venturi Cluster
54	17053361			Venturi Cluster Assembly
55	7045762			Screw—Cluster—Outer
56	7009077			Screw—Cluster—Center
57	KIT ONLY			Gasket—Center Screw
58	17050246			Aux. Power Valve
59	7002647			Jet—Standard
60	17053645			Power Valve Assembly
61	KIT ONLY			Gasket—Power Valve
62	7037286			Insert—Main Well
THROTTLE BODY PARTS				
63	KIT ONLY			Gasket—Throttle Body
64	7015105			Screw—Throttle Body
65	7041345			Pump Rod Kit
66	7029427			Idle Stop Screw
67	7029428			Spring—Idle Stop Screw
68	17050301			Idle Needle
69	7011479			Spring—Idle Needle
70	7018186			Clip—Pump Rod
71	17053993			Throttle Body Assembly
72	496675			Flange Gasket

NOTE: REPLACE WITH 17051941 CHOKE SHAFT, LEVER & LINK KIT



Delco Carburetor

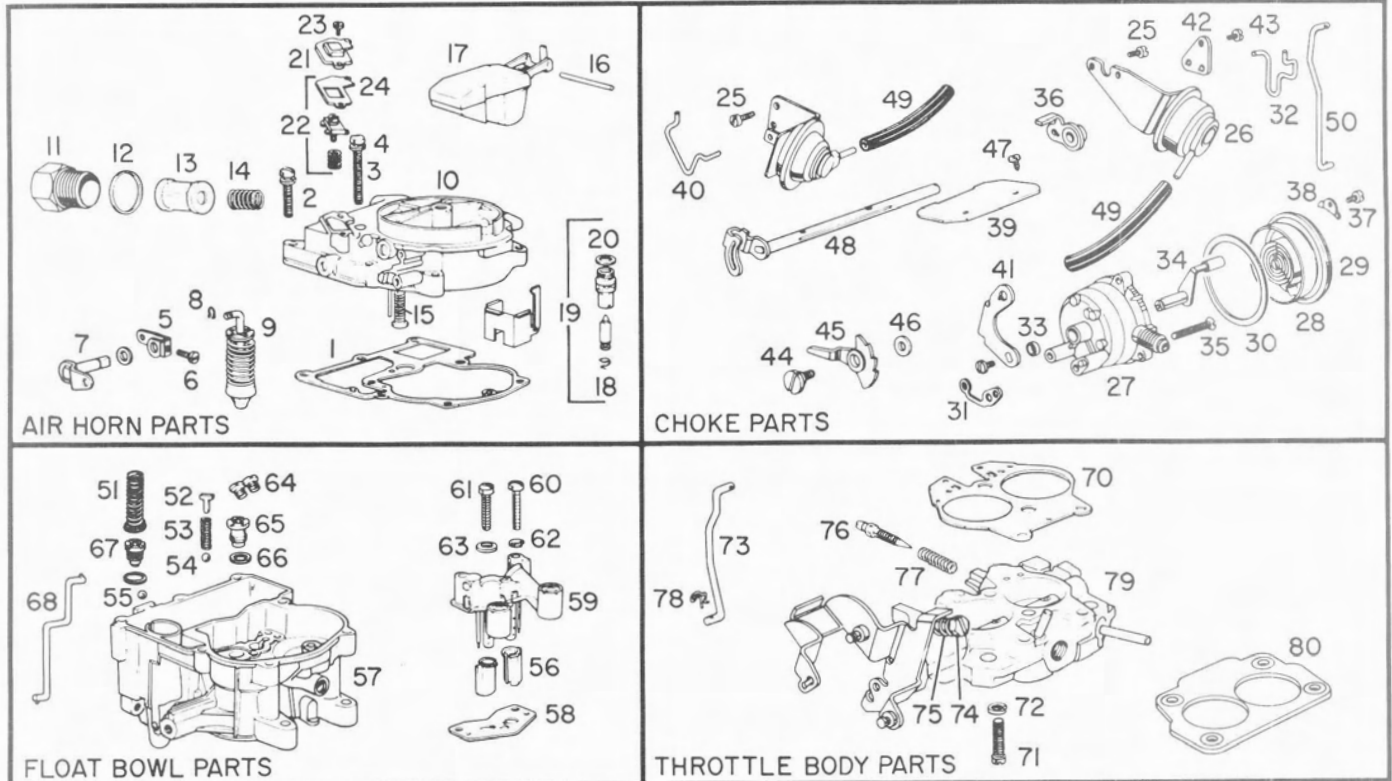
MODEL 2GC CARBURETORS

1975 PONTIAC VENTURA V-8

350 CUBIC INCH ENGINE

BULLETIN 9C-6068
 DATE: July, 1978
 PAGE 1
 Replaces 9C-6068
 Dated January 1975

PARTS SHOWN ARE FOR IDENTIFICATION ONLY. CONSULT PARTS LIST FOR CORRECT PART NAME AND NUMBER



PARTS IN ALL COLUMNS SAME – EXCEPT WHERE INDICATED

Illus. No.	Part No.	APPLICATION
		CARBURETOR No.
		REPLACEMENT PACKAGE No.
		OVERHAUL KIT
		POWER CARB. KIT
		GASKET SET
		AIR HORN PARTS
1	17050409	Gasket—Air Horn
2	7010432	Screw—Air Horn—Long
3	7006119	Screw—Air Horn—Short
4	120217	Lockwasher—Air Horn Screw
5	7032377	Pump Lever—Inside
6	7011270	Screw—Pump Lever
7	17052510	Pump Shaft & Lever Kit
—	7019568	Washer—Pump Shaft
8	—	Clip—Pump
9	17052368	Pump Assembly
10	17052511	Air Horn Assembly
11	7040955	Filter Nut—Fuel Inlet
12	7032508	Gasket—Filter Nut
13	GF-427	Filter—Fuel Inlet
14	7034356	Spring—Fuel Inlet Filter
15	7006011	Power Piston Assembly
16	7002081	Pin—Float Hinge
17	7037512	Float Assembly
18	—	Pull Clip—Float Needle
19	30-141	Needle & Seat Assy.
20	KIT ONLY	Gasket—Needle Seat
21	17050272	Cover—Idle Vent

	7045143	CARBURETOR No.
Illus. No.		AIR HORN PARTS (Continued)
22	17052733	Idle Vent Valve Kit
23	7015127	Screw—Idle Vent Cover (2)
24	17053051	Gasket—Cover
		CHOKE PARTS
25	7037570	Screw—Control Attaching
26	7043585	Vacuum Break Control & Bracket Assy.
—	7043626	Aux. Vacuum Break Control Assembly
27	17052406	Choke Housing
28	—	Baffle Plate
29	17052512	Stat Cover, Coil & Gasket Assy.
30	17050961	Gasket—Stat Cover
31	7037796	Gasket—Choke Housing
32	7038874	Link—Vacuum Break
33	7037569	Dust Seal—Inter. Choke Shaft
34	7037227	Intermediate Choke Shaft Assy.
35	7013704	Screw—Choke Housing
36	7030796	Lever—Choke Shaft
37	7011270	Screw—Stat Cover
38	7000614	Retainer—Stat Cover
39	7033443	Choke Valve
40	7043157	Link—Aux. Vac. Break
41	7030990	Intermediate Choke Lever
42	7047882	Choke Lever
43	7019709	Screw—Choke Levers
44	7036222	Screw—Cam Attaching
45	17052310	Cam—Fast Idle
46	—	Washer—Cam
47	7007627	Screw—Choke Valve
48	17050404	Choke Shaft
49	7026339	Hose—Vacuum
50	7043278	Choke Rod
		FLOAT BOWL PARTS
51	17050241	Spring—Pump Return
52	KIT ONLY	Guide—Pump Discharge
53	7002118	Spring—Pump Discharge
54	7002117	Ball—Pump Discharge
55	17050240	Ball—Pump Inlet Check
56	7037286	Insert—Main Well
57	17052513	Float Bowl Assembly
58	KIT ONLY	Gasket—Venturi Cluster
59	17052106	Venturi Cluster Assembly
60	7045762	Screw—Cluster—Outer
61	7009077	Screw—Cluster—Center
62	120217	Lockwasher—Outer Screw
63	KIT ONLY	Gasket—Center Screw
64	7002659	Jet—Standard
65	17053646	Power Valve Assembly
66	KIT ONLY	Gasket—Power Valve
67	17051199	Aux. Power Valve
68	7043001	Aux. Choke Rod
69	—	Solenoid—Idle Stop
		THROTTLE BODY PARTS
70	KIT ONLY	Gasket—Throttle Body
71	7015105	Screw—Throttle Body
72	—	Lockwasher—Throttle Body
73	7038799	Pump Rod
74	7029427	Idle Speed Screw
75	7029428	Spring—Idle Speed Screw
76	17050301	Idle Needle
77	7011479	Spring—Idle Needle
78	7018186	Clip—Pump Rod
79	17053918	Throttle Body Assembly
80	1248832	Flange Gasket



Delco Carburetor

MODEL 2GC CARBURETORS

1975 PONTIAC, LEMANS
CANADA ONLY

350 CUBIC INCH ENGINE

BULLETIN 9C-6069

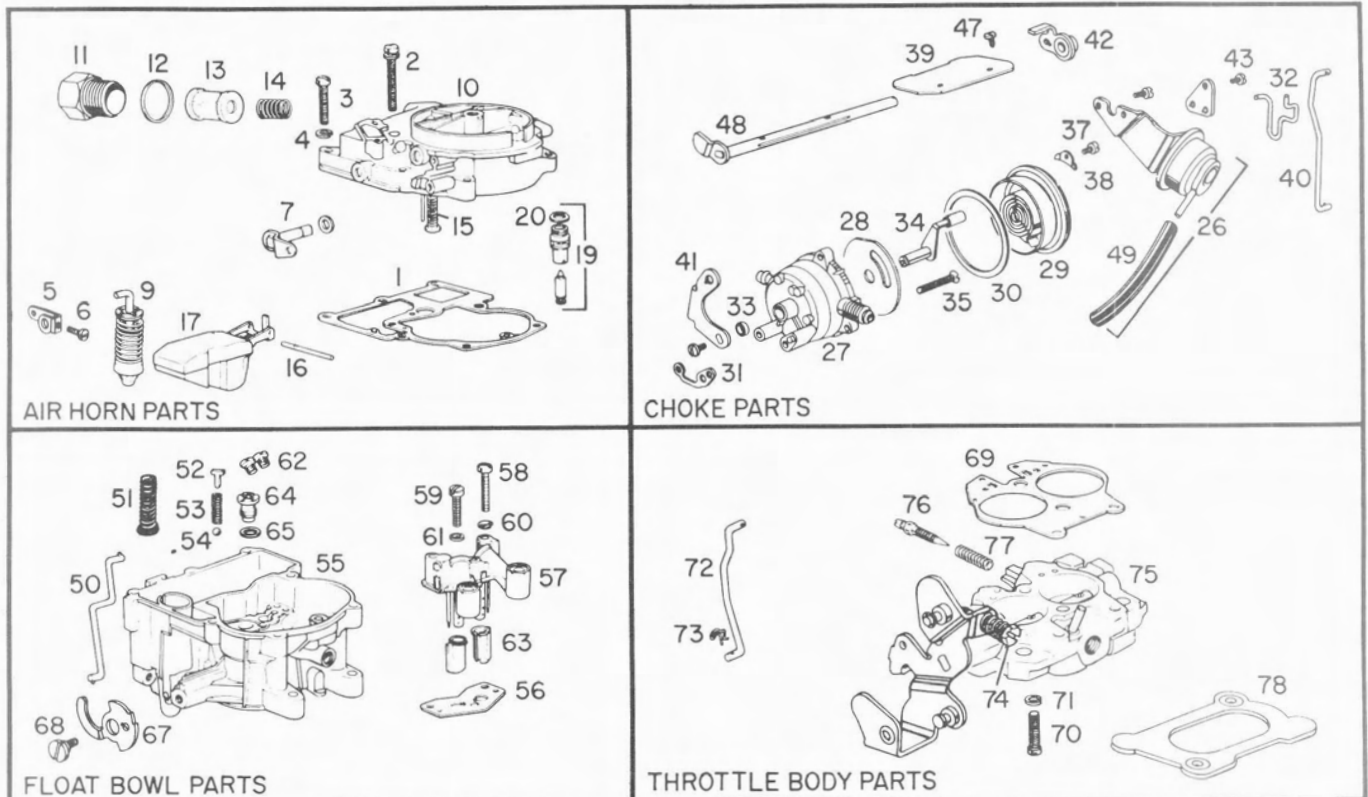
DATE: July, 1978

PAGE 1

Replaces 9C-6069

Dated January 1975

PARTS SHOWN ARE FOR IDENTIFICATION ONLY. CONSULT PARTS LIST FOR CORRECT PART NAME AND NUMBER



AIR HORN PARTS

CHOKE PARTS

FLOAT BOWL PARTS

THROTTLE BODY PARTS

PARTS IN ALL COLUMNS SAME – EXCEPT WHERE INDICATED

	PONTIAC & LEMANS AUTO. TRANS	APPLICATION
	7045100	CARBURETOR No.
	22-3113	REPLACEMENT PKG. No.
	17052658	OVERHAUL KIT
	9282	POWER CARBURETOR KIT
	40-438	GASKET SET
Illus. No.	AIR HORN PARTS	
1	7045671	Gasket—Air Horn
2	7010432	Screw—Air Horn—Long
3	7006119	Screw—Air Horn—Short
4	120217	Lockwasher—Air Horn Screw
5	7032377	Pump Lever—Inside
6	7011270	Screw—Pump Lever
7	17050230	Pump Shaft & Lever Kit
—	7019568	Washer—Pump Shaft
8	—	Clip—Pump
9	7046028	Pump Assembly
10	17065256	Air Horn Assembly
11	7040955	Filter Nut—Fuel Inlet
12	7032508	Gasket—Filter Nut
13	GF-427	Filter—Fuel Inlet
14	7032732	Spring—Fuel Inlet Filter
15	7006323	Power Piston Assembly
16	7002081	Pin—Float Hinge
17	7037512	Float Assembly
18	—	Pull Clip—Float Needle

	7045100	CARBURETOR No.
	AIR HORN PARTS (Continued)	
Illus. No.		
19	30-132	Needle & Seat Assy.
19		
20	KIT ONLY	Gasket—Needle Seat
21	—	Shield—Idle Vent
22	—	Idle Vent Valve Kit
23	—	Screw—Idle Vent Valve
24	—	Idle Vent Valve
25	—	Vacuum Break Control Assembly
26	17052732	Vacuum Break Kit
—	7037570	Screw—Control Attaching
27	17050876	Choke Housing
28	7037239	Baffle Plate
29	17052654	Stat Cover, Coil & Gasket Assy.
30	17050961	Gasket—Stat Cover
31	7043291	Gasket—Choke Housing
32	7040239	Link—Vacuum Break
33	7037569	Dust Seal—Inter. Choke Shaft
34	7043289	Intermediate Choke Shaft Assy.
35	7043292	Screw—Choke Housing
36		Cam Lever & Bushing Assembly
37	7011270	Screw—Stat Cover
38	7000614	Retainer—Stat Cover
39	7033443	Choke Valve
40	17050270	Intermediate Choke Rod
41	17050266	Intermediate Choke Lever
42	17050766	Lever Choke
43	7019709	Screw—Choke Levers
44		
45		
46		Washer—Cam
47	7007627	Screw—Choke Valve
48	7047797	Choke Shaft Assy
49	7026339	Hose—Vacuum
50	7043370	Choke Rod
	FLOAT BOWL PARTS	
51	7041141	Spring—Pump Return
—	7002120	Ball—Pump Inlet Check
—		Strainer—Pump Inlet
52	KIT ONLY	Guide—Pump Discharge
53	7002118	Spring—Pump Discharge
54	7002117	Ball—Pump Discharge
55	17065229	Float Bowl Assembly
56	KIT ONLY	Gasket—Venturi Cluster
57	17056636	Venturi Cluster Assembly
58	7045762	Screw—Venturi Cluster—Outer
59	7009077	Screw—Cluster—Center
60	120217	Lockwasher—Outer Screws
61	KIT ONLY	Gasket—Center Screw
62	7002650	Jet—Standard (See Note)
63	7040320	Insert—Main Well
64	7011989	Power Valve Assembly
65	KIT ONLY	Gasket—Power Valve
66		
67	7043369	Cam—Fast Idle
68	7036222	Screw—Cam Attaching
	THROTTLE BODY PARTS	
69	KIT ONLY	Gasket—Throttle Body
70	7015105	Screw—Throttle Body
71	121744	Lockwasher—Throttle Body Screws
72	17050277	Pump Rod
73	7018186	Clip—Pump Rod
74	7029427	Idle Stop Screw
—	7037131	Spring—Idle Stop Screw
75	17052799	Throttle Body Assembly
76	7048860	Idle Needle
77	7011479	Spring—Idle Needle
78	6271058	Insulator—Flange



Delco Carburetor

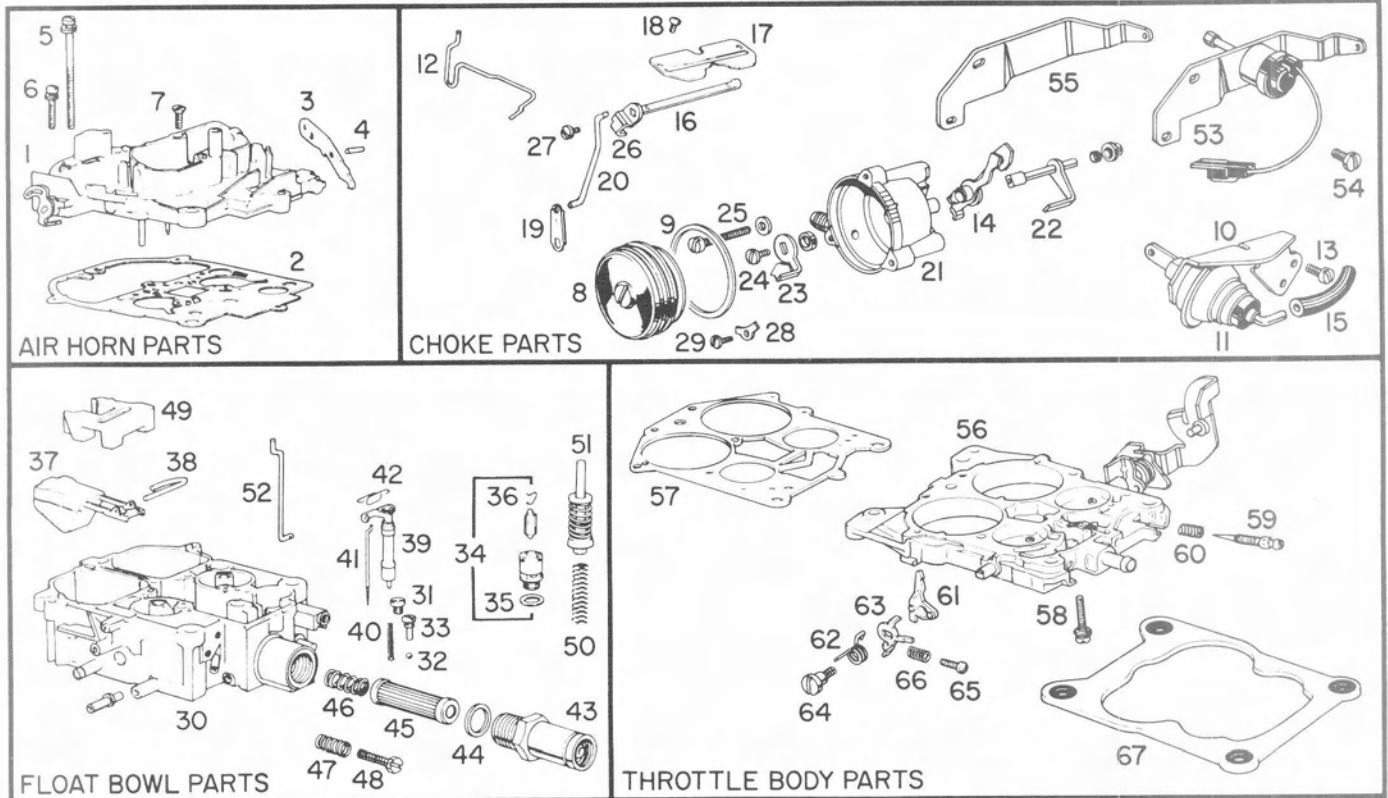
MODEL 2MC DUALJET

1975 PONTIAC VENTURA

260 CUBIC INCH ENGINE

BULLETIN 9C-6070
 DATE: July, 1978
 PAGE 1
 Replaces 9C-6070
 Dated January 1975

PARTS SHOWN ARE FOR IDENTIFICATION ONLY. CONSULT PARTS LIST FOR CORRECT PART NAME AND NUMBER



PARTS IN ALL COLUMNS SAME -- EXCEPT WHERE INDICATED

	AIR COND. VENTURA AUTO. TRANS. FEDERAL	NON AIR COND. VENTURA MAN. TRANS. FEDERAL	NON AIR COND. VENTURA AUTO. TRANS. FEDERAL	NON AIR COND. VENTURA AUTO. TRANS. CALIF.	AIR COND. VENTURA AUTO. TRANS. CALIF.	APPLICATION
	7045156	7045297	7045298	7045354	7045358	CARBURETOR No.
	22-579	22-583	22-579	22-571	22-571	REPLACEMENT PACKAGE No.
	17055074	17050698	17055074	17052734	17052734	OVERHAUL KIT
	9270					POWER CARBURETOR KIT
	40-429					GASKET SET
Illus. No	AIR HORN PARTS					
1	17052186	17052186	17052186	17051007	17051007	Air Horn Assembly
2	7029087					Gasket—Air Horn
3	7048169					Lever—Pump Actuating
4	9428787					Roll Pin—Pump & Lockout Lever Hinge
5	7029912					Screw—Air Horn
6	7014699					Screw—Air Horn
7	7031105					Screw—Air Horn
	CHOKE PARTS					
8	17052585					Stat Cover, Coil & Gasket Assy.
9	17050961					Gasket—Start Cover
10	7046468	17051027	7046468	7046468	7046468	Vacuum Break Control & Brkt. Assy.
11	17052191	17051025	17052191	17052191	17052191	Vacuum Break Control Assy.
12	7038305					Rod—Vacuum

	7045156	7045297	7045298	7045354	7045358	CARBURETOR No.
Illus. No.	CHOKE PARTS (Continued)					
13	7038581					Screw—Control Attaching
14	17051019					Cam—Fast Idle
15	7026339					Hose—Vacuum
16	7038259					Choke Shaft
17	7045665					Choke Valve
18	7029866					Screw—Choke Valve
19	7031231					Lever—Intermediate Choke
20	7038269					Rod—Choke
21	17052500					Choke Housing Kit
22	7038282					Inter. Choke Shaft & Lever Assy.
—	7037569					Seal—Inter. Choke Shaft
—	7043367					Seal—Choke Hsg. to Bowl
23	7038285					Lever—Stat Coil
24	7019709					Screw—Coil Lever
25	7038808					Screw—Choke Hsg. to Bowl
26	7038301					Lever—Choke
27	7029866					Screw—Choke Lever
28	7000614					Retainer—Stat Cover
29	7011270					Screw—Stat Cover
	FLOAT BOWL PARTS					
30	17055075	17051895	17055075	17051895	17051895	Float Bowl Assembly
31	7031963	7031961	7031963	7031964	7031964	Jet—Primary
32	7002117					Ball—Pump Discharge
33	7029849					Retainer—Pump Discharge Ball
34	30-142					Needle & Seat Assy.
35	KIT ONLY					Gasket—Needle Seat
36	7033751					Pull Clip—Float Needle
37	7046301					Float Assembly
38	7029856					Hinge Pin—Float Assembly
39	7040163					Power Piston Assembly
40	17051705					Spring—Power Piston—Primary
41	7049942	7034834	7049942	7034832	7034832	Metering Rod—Primary
42	7029862					Spring—Metering Rod—Primary
43	7045878					Filter Nut—Fuel Inlet
44	7024281					Gasket—Filter Nut
45	GF-441					Filter—Fuel Inlet
46	7032732					Spring Fuel Filter
47	7003176					Spring—Idle Stop Screw
48	7002121					Screw—Idle Stop
49	7034361					Insert—Float Bowl
50	7041169	7042979	7042979	7042979	7042979	Spring—Pump Return
51	7048867	7048874	7048867	7048874	7048874	Pump Assembly
52	7026138					Rod Pump
53	7043625	NONE	NONE	7043625	7043625	Solenoid & Bracket Assy.
54	7030567	NONE	7030567	7030567	7030567	Screw—Bracket Attaching
55	NONE	NONE	7043624	NONE	NONE	Bracket—Throttle Return
	THROTTLE BODY PARTS					
56	17053901					Throttle Body Assembly
57	KIT ONLY					Gasket—Throttle Body
58	7035790					Screw—Throttle Body
59	7048532					Idle Needle
60	7011479					Spring—Idle Needle
61	7041497					Lever—Cam Follower
62	7035772					Spring—Cam Lever
63	7035998					Fast Idle Lever
64	7035523					Screw—Fast Idle Lever
65	7044794					Screw—Fast Idle Adjusting
66	7029900					Spring—Fast Idle Screw
67	419047					Gasket—Flange



Delco Carburetor

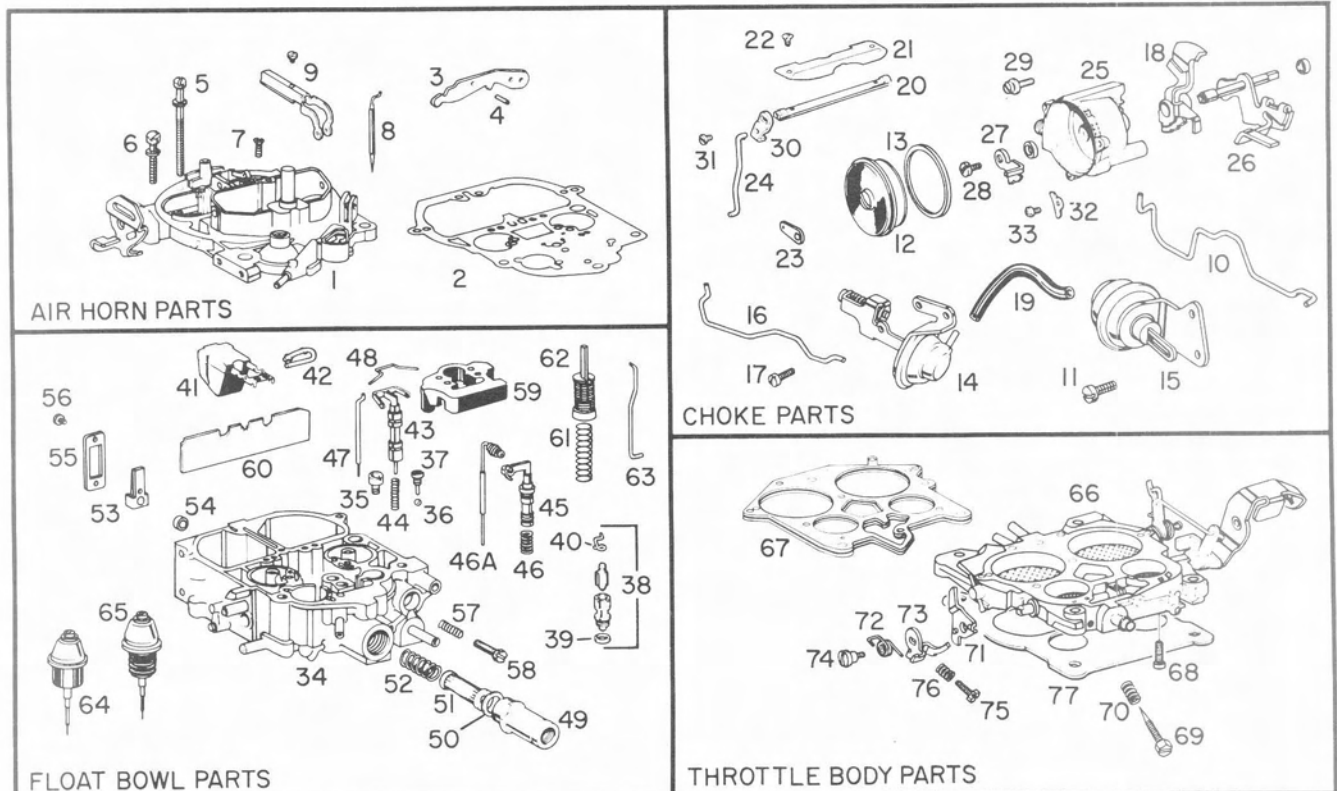
MODEL M4MC — M4MCA QUADRAJET

1975 PONTIAC LEMANS, FIREBIRD & VENTURA V-8

BULLETIN 9C-6071
 DATE: July, 1978
 PAGE 1
 Replaces 9C-6071
 Dated January 1975

350 CUBIC INCH ENGINE

PARTS SHOWN ARE FOR IDENTIFICATION ONLY. CONSULT PARTS LIST FOR CORRECT PART NAME AND NUMBER



PARTS IN ALL COLUMNS SAME — EXCEPT WHERE INDICATED

	LEMANS & FIREBIRD M4MC AUTO TRANS	FIREBIRD M4MC MAN. TRANS	VENTURA M4MC AUTO TRANS FEDERAL & CALIFORNIA	PONTIAC & LEMANS M4MC AUTO TRANS CANADA ONLY	LEMANS & FIREBIRD M4MCA AUTO TRANS	APPLICATION
	FEDERAL	FEDERAL	CALIFORNIA		CALIFORNIA	CARBURETOR No.
	7045268	7045269	7045246	7045294	7045568	REPLACEMENT PACKAGE NO.
	24-6028	24-6029	24-1210	24-3088	24-6067	OVERHAUL KIT
	17052504	17052501	17051968	17051931	17052504	POWER CARBURETOR KIT
	9276	9276	9275	9272	9276	GASKET SET
	40-435	40-435	40-480	40-431	40-435	
AIR HORN PARTS						
Illus. No.	17053045	17052223	7043002	17052228	17053045	Air Horn Assembly
1	7042998	7042998	7043363	7042998	7042998	Gasket — Air Horn
2	7048169					Lever — Pump Actuating
3	9428787					Roll Pin—Pump & Lockout Lever Hinge
4	7029912					Screw — Air Horn
5	7014699					Screw — Air Horn
6	7031105					Screw — Air Horn
7	7048092	7048092	7045986	7045779	7048092	Metering Rod—Secondary
8	7034522					Sec. Metering Rod Holder Kit
9	7035344					Air Valve Spring & Cam Kit
CHOKE PARTS						
10	7043393	7043393	17050738	7043447	7043393	Link — Aux. Vac. Break
11	7043682					Screw — Aux. Vac Break Mounting

	7045268	7045269	7045246	7045294	7045568	CARBURETOR No.
Illus. No.	CHOKE PARTS CONT.					
12	17051995	17051995	17051964	17051918	17051995	Stat Cover, Coil & Gasket Assy.
13	17050961					Gasket - Stat Cover
14	17053740	17053740	17051261	17050759	17053740	Vacuum Break Control & Brkt. Assy.
15	7043497	7043497	17050742	17050756	7043497	Aux. Vac. Brk Control & Brkt Assy.
16	7041527					Rod - Vacuum
17	17050732					Screw-Control Attaching
18	7041575	7041575	17052371	17051176	7041575	Cam-Fast Idle
19	7026339					Hose-Vacuum
20	7038259					Choke Shaft
21	7041558	7041558	7048904	7048904	7041558	Choke Valve
22	7029866					Screw-Choke Valve
23	7031231					Lever-Intermediate Choke
24	7041472					Rod-Choke
25	17051996	17051996	17051970	17051917	17051996	Choke Housing Kit
26	17050754	17050754	17050754	17051193	17050754	Inter. Choke Shaft & Lever Assy.
-	7037569					Seal-Inter. Choke Shaft
-	7043367					Seal-Choke Hsg. to Bowl
27	7043368	7043368	7043368	7041499	7043368	Lever-Stat Coil
28	7019709					Screw-Coil Lever
29	7038808					Screw-Choke Hsg. to Bowl
30	7041542					Lever-Choke
31	7029866					Screw-Choke Lever
32	7000614					Retainer-Stat Cover
33	7011270					Screw-Stat Cover
	FLOAT BOWL PARTS					
34	17051997	17052507	17051965	17052630	17052508	Float Bowl Assembly
35	7031966	7031966	7031968	7031972	7031966	Jet-Primary
36	7002117					Ball-Pump Discharge
37	7029849					Retainer-Pump Discharge Ball
38	30-148	30-148	30-150	30-134	30-148	Needle & Seat Assy.
39	KIT ONLY					Gasket-Needle Seat
40	7033751					Pull Clip-Float Needle
41	7043379	7043379	7041468	7041468	7043379	Float Assembly
42	7041469					Hinge Pin-Float Assembly
43	7041460					Power Piston Assembly Primary
44	7029529	7037851	7041477	17052057	7029529	Spring-Power Piston Primary
45	NONE	NONE	7041474	NONE	NONE	Aux. Power Piston Assy.
46	NONE	NONE	7029529	NONE	NONE	Spring Aux. Power Piston
46-A	NONE	NONE	17052816	NONE	NONE	Aux. Metrod & Spring Assy.
47	17051338	17051342	7043543	17051346	17051338	Metering Rod-Primary
48	7041459					Spring-Metering Rod-Primary
49	7044951	7044951	7044951	7048873	7044951	Filter Nut-Fuel Inlet
50	7024281					Gasket-Filter Nut
51	GF-441					Filter-Fuel Inlet
52	7034442	7034442	7034442	7030588	7034442	Spring Fuel Filter
53	7035288	7035288			7035288	Idle Compensator Assembly
54	7027970	7027970			7027970	Gasket-Idle Compensator
55	7029865	7029865			7029865	Cover-Idle Compensator
56	7029866	7029866			7029866	Screw-Cover Attaching
57	7003176					Spring-Idle Stop Screw
58	7002121					Screw-Idle Stop
59	7041471					Insert-Float Bowl
60	7031365					Baffle-Float Bowl
61	7042979					Spring-Pump Return
62	17051374	17051374	17051117	17051374	17051374	Pump Assembly
63	7026138					Rod Pump
64	17053048	17053048	17053047	17053049	NONE	A.P.T. Rod Assembly
65	NONE	NONE	NONE	NONE	17052067	Aneroid Assembly
	THROTTLE BODY PARTS					
66	17052132	17052227	17052121	17051923	17052074	Throttle Body Assembly
67	KIT ONLY					Gasket-Throttle Body
68	7035790					Screw-Throttle Body
69	7048531	7048531	7048530	7048531	7048531	Idle Needle
70	7011479					Spring-Idle Needle
71	7041497					Lever-Cam Follower
72	17051494					Spring-Cam Lever
73	7041498					Fast Idle Lever
74	7036079	7036079	7010435	7036079	7036079	Screw-Fast Idle Lever Attaching
75	7044794					Screw-Fast Idle Adjusting
76	7029900					Spring-Fast Idle Screw
77	498796	498796	1259887	354308	498796	Gasket-Flange



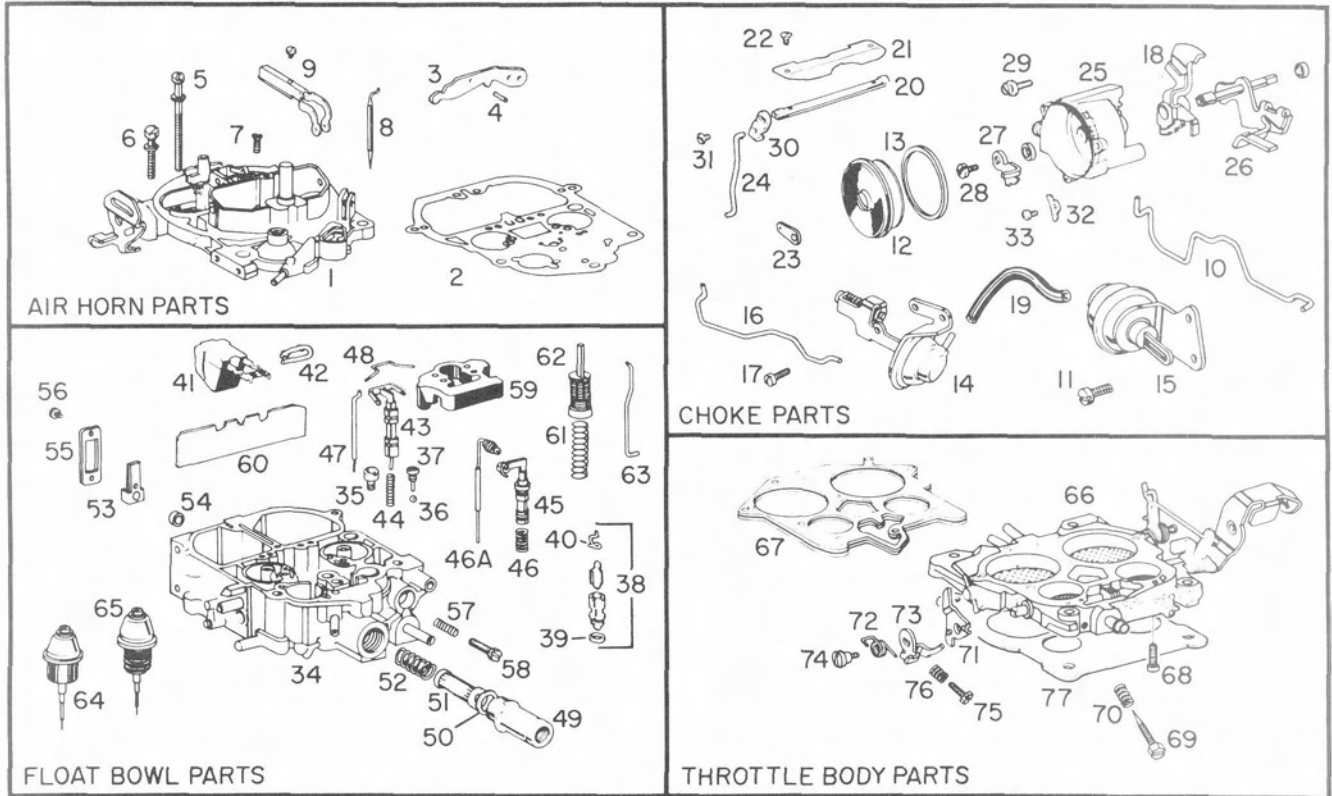
Delco Carburetor

MODEL M4MC—M4MCA QUADRAJET

1975 PONTIAC LEMANS, GRAND PRIX & FIREBIRD V-8 400 CUBIC INCH ENGINE

BULLETIN 9C-6072
DATE: July, 1978
PAGE 1
Replaces 9C-6072
Dated November 1975

PARTS SHOWN ARE FOR IDENTIFICATION ONLY. CONSULT PARTS LIST FOR CORRECT PART NAME AND NUMBER



PARTS IN ALL COLUMNS SAME — EXCEPT WHERE INDICATED

	EARLY FIREBIRD	LATE FIREBIRD	PONTIAC LEMANS GRAND PRIX	FIREBIRD	PONTIAC LEMANS GRAND PRIX FIREBIRD M4MCA	APPLICATION
	M4MC MAN. TRANS. FEDERAL	M4MC MAN. TRANS. FEDERAL	M4MC AUTO. TRANS. FEDERAL	M4MC AUTO. TRANS. FEDERAL	M4MC AUTO. TRANS. CALIFORNIA	CARBURETOR No.
	7045263	7045261	7045264	7045274	7045564	REPLACEMENT PACKAGE No.
	24-6064	24-6064	24-6065	24-6026	24-6034	OVERHAUL KIT
	17052504	17053996	17052501	17052501	17052501	POWER CARBURETOR KIT
	9276	9276				GASKET SET
	40-435					

Illus. No.	AIR HORN PARTS					
1	17052224	17053616	7041560	7041560	7041560	Air Horn Assembly
2	7042998					Gasket—Air Horn
3	7048169					Lever—Pump Actuating
4	9428787					Roll Pin—Pump & Lockout Lever Hinge
5	7029912					Screw—Air Horn
6	7014699					Screw—Air Horn
7	7031105					Screw—Air Horn
8	7047806					Metering Rod—Secondary
9	7034522					Sec. Metering Rod Holder Kit
—	7035344					Air Valve Spring & Cam Kit
	CHOKE PARTS					
10	7043393					Link—Aux. Vac. Brk.
11	7043682					Screw—Aux. Vac. Brk. Mounting

	7045263	7045264	7045264	7045274	7045564	CARBURETOR No.
Illus. No.			CHOKE PARTS (Continued)			
12	17051995	17051956	17051995	17051995	17051995	Stat Cover, Coil & Gasket Assy.
13	17050961					Gasket—Stat Cover
14	17053740					Vacuum Brk. Control & Brkt. Assy.
15	7043497					Aux. Vac. Brk. Control & Brkt. Assy.
16	7041527					Rod—Vacuum
17	17050732					Screw—Control Attaching
18	7041575					Cam—Fast Idle
19	7026339					Hose—Vacuum
20	7038259					Choke Shaft
21	7041558					Choke Valve
22	7029866					Screw—Choke Valve
23	7031231					Lever—Intermediate Choke
24	7041472					Rod—Choke
25	17051996					Choke Housing Kit
26	17050754					Inter. Choke Shaft & Lever Assy.
—	7037569					Seal—Inter. Choke Shaft
—	7043367					Seal—Choke Hsg. to Bowl
27	7043368					Lever—Stat Coil
28	7019709					Screw—Coil Lever
29	7038808					Screw—Choke Hsg. to Bowl
30	7041542					Lever—Choke
31	7029866					Screw—Choke Lever
32	7000614					Retainer—Stat Cover
33	7011270					Screw—Stat Cover
			FLOAT BOWL PARTS			
34	17052503	17053994	17051997	17051997	17052508	Float Bowl Assembly
35	7031970	7031967	7031972	7031972	7031967	Jet—Primary
36	7002117					Ball—Pump Discharge
37	7029849					Retainer—Pump Discharge Ball
38	30-148					Needle & Seat Assy.
39	KIT ONLY					Gasket—Needle Seat
40	7033751					Pull Clip—Float Needle
41	7043379					Float Assembly
42	7041469					Hinge Pin—Float Assembly
43	7041460					Power Piston Assembly Primary
44	7037851	7041477	7029529	7029529	7029529	Spring—Power Piston Primary
45	—					Aux. Power Piston Assy.
46	—					Spring—Aux. Power Piston
47	17051338	17051340	17051340	17051340	17051340	Metering Rod—Primary
48	7041459					Spring—Metering Rod—Primary
49	7044951					Filter Nut—Fuel Inlet
50	7024281					Gasket—Filter Nut
51	GF-441					Filter—Fuel Inlet
52	7034442					Spring Fuel Filter
53	7035288					Idle Compensator Assembly
54	7027970					Gasket—Idle Compensator
55	7029865					Cover—Idle Compensator
56	7029866					Screw—Cover Attaching
57	7003176					Spring—Idle Stop Screw
58	7002121					Screw—Idle Stop
59	7041471					Insert—Float Bowl
60	7031365					Baffle—Float Bowl
61	7042979					Spring—Pump Return
62	17051374					Pump Assembly
63	7026138					Rod Pump
64	17053048	17053048	17053048	17053048	NONE	A.P.T. Rod Assembly
65	NONE	NONE	NONE	NONE	17052067	Aneroid Assembly
			THROTTLE BODY PARTS			
66	77052227	17053618	17052037	17052073	17052074	Throttle Body Assembly
67	KIT ONLY					Gasket—Throttle Body
68	7035790					Screw—Throttle Body
69	7048531	7048532	7048531	7048531	7048531	Idle Needle
70	7011479					Spring—Idle Needle
71	7041497					Lever—Cam Follower
72	17051494					Spring—Cam Lever
73	7041498					Fast Idle Lever
74	7036079					Screw—Fast Idle Lever Attaching
75	7044794					Srew—Fast Idle Adjusting
76	7029900					Spring—Fast Idle Screw
77	498796					Gasket—Flange



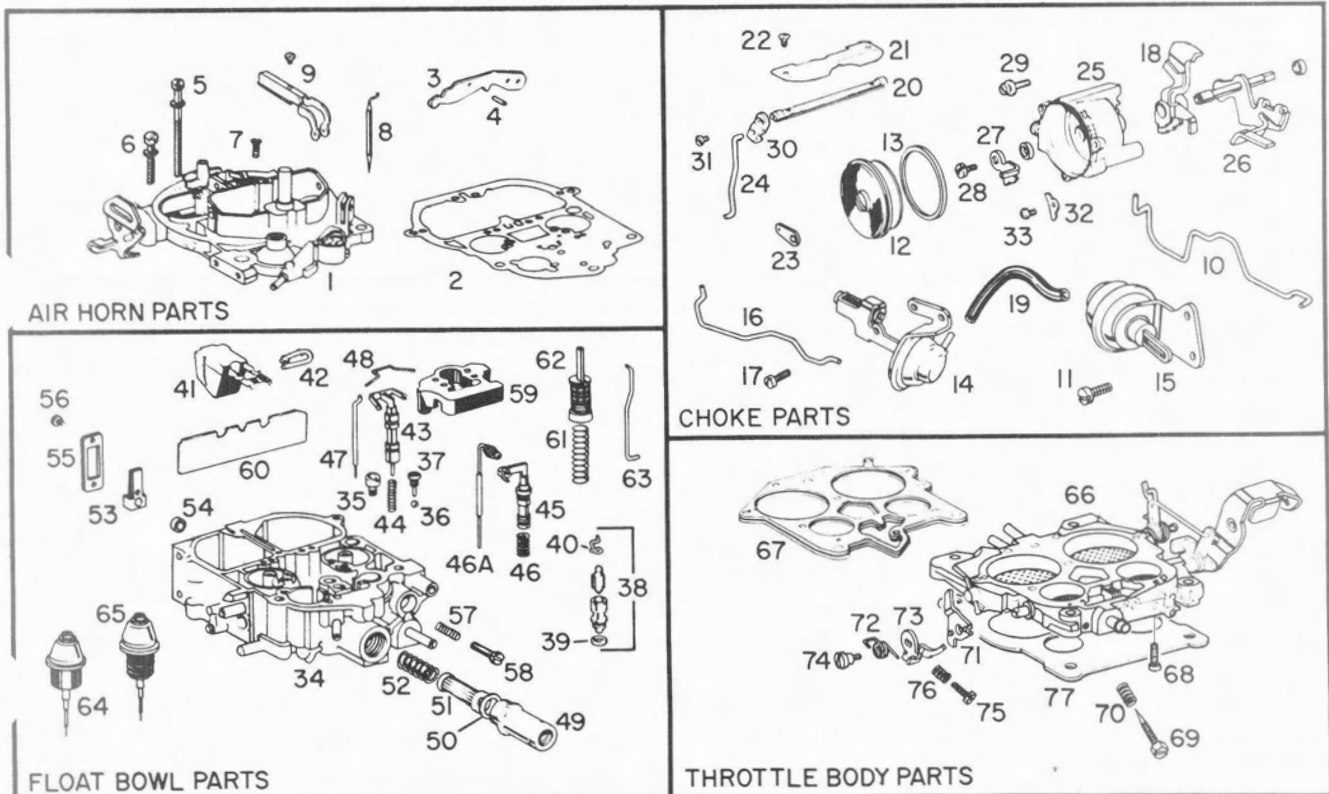
Delco Carburetor

MODEL M4MCA QUADRAJET

1975 PONTIAC & LEMANS GRAND PRIX V-8 455 CUBIC INCH ENGINE

BULLETIN: 9C-6073
DATE: JANUARY, 1975
PAGE: 1

PARTS SHOWN ARE FOR IDENTIFICATION ONLY, CONSULT PARTS LIST FOR CORRECT PART NAME AND NUMBER



PARTS IN ALL COLUMNS SAME – EXCEPT WHERE INDICATED

	PONTIAC LEMANS GRAND PRIX AUTO. TRANS. FEDERAL	PONTIAC LEMANS GRAND PRIX AUTO. TRANS. CALIFORNIA	APPLICATION
	7045562	7045566	CARBURETOR No.
	24-6033	24-6036	REPLACEMENT PACKAGE No.
	17052509	17052504	OVERHAUL KIT
	9276		POWER CARBURETOR KIT
	40-435		GASKET SET
Illus. No.	AIR HORN PARTS		
1	17051428		Air Horn Assembly
2	7042998		Gasket—Air Horn
3	7048169		Lever—Pump Actuating
4	9428787		Roll Pin—Pump & Lockout Lever Hinge
5	7029912		Screw—Air Horn
6	7014699		Screw—Air Horn
7	7031105		Screw—Air Horn
8	7047806		Metering Rod—Secondary
9	7034522		Sec. Metering Rod Holder Kit
—	7035344		Air Valve Spring & Cam Kit
	CHOKE PARTS		
10	7043393		Link—Aux. Vacuum Break
11	7043682		Screw—Aux. Vac. Brk. Mounting

	7045562	7045566	CARBURETOR No.
		CHOKE PARTS	
Illus. No.			
12	17051995		Stat Cover, Coil & Gasket Assy.
13	17050961		Gasket—Stat Cover
14	17051321		Vacuum Break Control & Brkt. Assy.
15	7043497	17053083	Aux. Vac. Brk. Control & Brkt. Assy.
16	7041527		Rod—Vacuum
17	17050732		Screw—Control Attaching
18	7041575		Cam—Fast Idle
19	7026339		Hose—Vacuum
20	7038259		Choke Shaft
21	7041558		Choke Valve
22	7029866		Screw—Choke Valve
23	7031231		Lever—Intermediate Choke
24	7041472		Rod—Choke
25	17051996	17052729	Choke Housing Kit
26	17050754		Inter. Choke Shaft & Lever Assy.
—	7037569		Seal—Inter. Choke Shaft
—	7043367		Seal—Choke Hsg. to Bowl
27	7043368		Lever—Stat Coil
28	7019709		Screw—Coil Lever
29	7038808		Screw—Choke Hsg. to Bowl
30	7041542		Lever—Choke
31	7029866		Screw—Choke Lever
32	7000614		Retainer—Stat Cover
33	7011270		Screw—Stat Cover
		FLOAT BOWL PARTS	
34	17052507	17052508	Float Bowl Assembly
35	7031966	7031965	Jet—Primary
36	7002117		Ball—Pump Discharge
37	7029849		Retainer—Pump Discharge Ball
38	30-148		Needle & Seat Assy.
39	KIT ONLY		Gasket—Needle Seat
40	7033751		Pull Clip—Float Needle
41	7043379		Float Assembly
42	7041469		Hinge Pin—Float Assembly
43	7041460		Power Piston Assembly Primary
44	7029922	7029529	Spring—Power Piston Primary
45	—		Aux. Power Piston Assy.
46	—		Spring—Aux. Power Piston
47	7043540	17051336	Metering Rod—Primary
48	7041459		Spring—Metering Rod—Primary
49	7044951		Filter Nut—Fuel Inlet
50	7024281		Gasket—Filter Nut
51	GF-441		Filter—Fuel Inlet
52	7034442		Spring Fuel Filter
53	7035288		Idle Compensator Assembly
54	7027970		Gasket—Idle Compensator
55	7029865		Cover—Idle Compensator
56	7029866		Screw—Cover Attaching
57	7003176		Spring—Idle Stop Screw
58	7002121		Screw—Idle Stop
59	7041471		Insert—Float Bowl
60	7031365		Baffle—Float Bowl
61	7042979		Spring—Pump Return
62	17051374		Pump Assembly
63	7026138		Rod Pump
64	—	—	A.P.T. Rod Assembly
65	17052067		Aneroid Assembly
		THROTTLE BODY PARTS	
66	17052275		Throttle Body Assembly
67	KIT ONLY		Gasket—Throttle Body
68	7035790		Screw—Throttle Body
69	7048531		Idle Needle
70	7011479		Spring—Idle Needle
71	7041497		Lever—Cam Follower
72	17051494		Spring—Cam Lever
73	7041498		Fast Idle Lever
74	7036079		Screw—Fast Idle Lever Attaching
75	7044794		Screw—Fast Idle Adjusting
76	7029900		Spring—Fast Idle Screw
77	498796		Gasket—Flange



Delco Carburetor

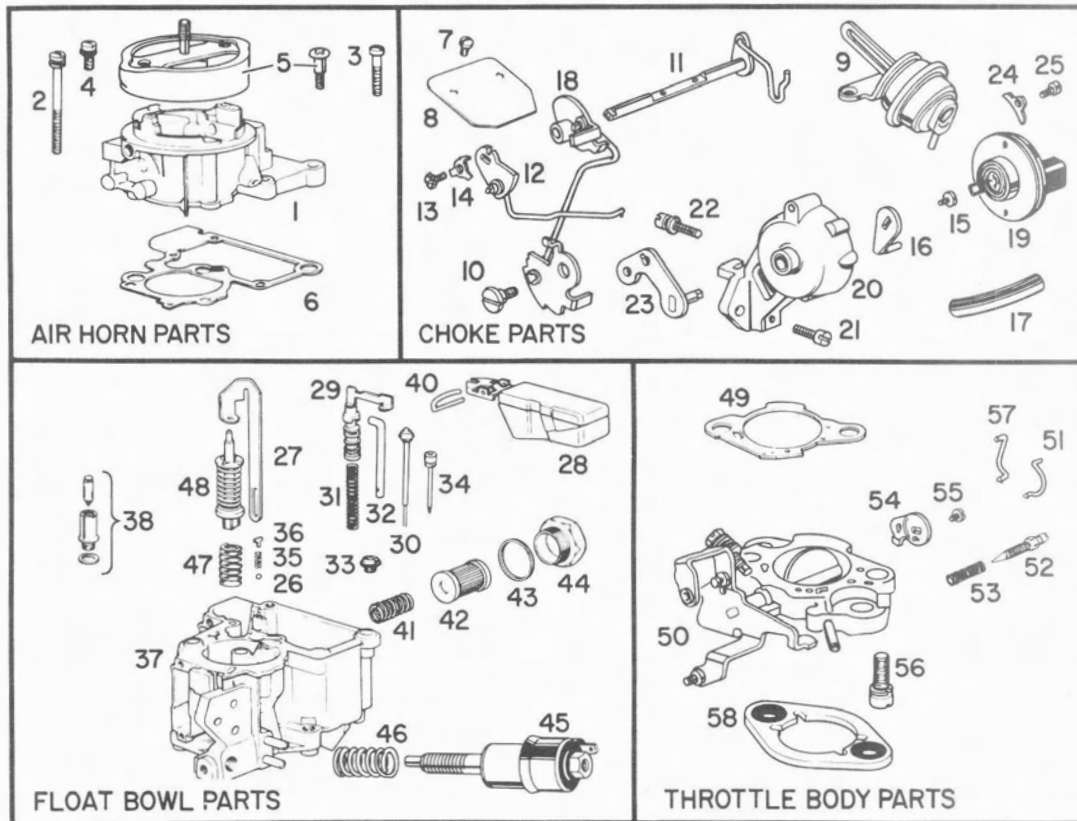
MODEL 1ME MONOJET

1976 PONTIAC ACADIAN (CANADA ONLY)

87 & 97.6 CUBIC INCH "4"

BULLETIN 9C-6074
 DATE: July, 1978
 PAGE 1
 Replaces 9C-6074
 Dated November 1975

PARTS SHOWN ARE FOR IDENTIFICATION ONLY. CONSULT PARTS LIST FOR CORRECT PART NAME AND NUMBER



PARTS IN ALL COLUMNS SAME — EXCEPT WHERE INDICATED

	85 CU. IN. AUTO. TRANS.	85 CU. IN. MAN. TRANS.	97.6 CU. IN. AUTO. TRANS.	97.6 CU. IN. MAN. TRANS.	APPLICATION
	17056030	17056031	17056034	17056035	CARBURETOR No. (Non Air Cond.)
	17056036	17056031	17056032	17056035	CARBURETOR No. (Air Cond.)
	21-3112	21-3083	21-3080	21-3115	REPLACEMENT PACKAGE No.
	17053832	17053832	17053839	17053839	OVERHAUL KIT
	9304				POWER CARBURETOR KIT
	40-451				GASKET SET
Illus. No.	AIR HORN PARTS				
1	17054202	17054202	17054205	17054205	Air Horn Kit
2	7043089				Screw—Air Horn (Long) (3)
3	7030917				Screw—Air Horn (Short) (2)
4	7043088				Screw—Air Horn (1)
5	17053835				Air Cleaner Adapter & Screw
6	7037591				Gasket—Air Horn
	CHOKE PARTS				
7	7020926				Screw—Choke Valve (2)
8	7049918				Choke Valve
9	17051663				Vacuum Break Control Assy.
10	7003561				Screw—Cam Attaching
11	17051610				Choke Shaft Lever & Link Assembly
12	17051676				Choke Lever & Link Assembly
13	17051681				Screw—Choke Lever Attaching
14	7044297				Washer—Choke Locking Screw
15	7019709				Screw—Stat Lever Attaching
16	7044088				Lever—Stat Coil
17	7026339				Hose—Vacuum Break
18	17053644				Cam—Lever & Link Assy.

	17056030	17056031	17056034	17056035	CARBURETOR No. (Non Air Cond.)
	17056036	17056031	17056032	17056035	CARBURETOR No. (Air Cond.)
CHOKE PARTS (Continued)					
Illus. No.					
19	17053947				Electric Stat Cover & Coil Assy.
20	17051766				Choke Housing & Bearing Assy.
21	17051625				Screw—Choke Housing To Bowl (1)
22	17051626				Screw—Choke Housing To Bowl (2)
23	17051637				Choke Coil Lever & Shaft Assy.
24	7000614				Retainer—Choke Cover (3)
25	7011270				Screw—Choke Cover (3)
FLOAT BOWL PARTS					
26	7002117				Ball—Pump Discharge
27	17056474				Lever—Pump Actuating
28	17051624				Float Assembly
29	17051619				Power Piston Assembly
30	17053551	17053551	17051621	17051621	Metering Rod & Spring Assembly
31	7044003				Spring—Power Piston
32	7044005				Rod—Power Piston
33	17053544	17053544	17053784	17053784	Jet—Main Metering
34	17053627				Idle Tube Assembly
35	7002118				Spring—Pump Discharge
36	7003838				Guide—Pump Discharge
37	17054203	17054203	17054206	17054206	Float Bowl Kit
38	30-153				Needle & Seat Assembly
39	KIT ONLY				Gasket—Needle Seat
40	7034032				Hinge Pin—Float
41	7032732				Spring—Fuel Filter
42	GF-470				Filter—Fuel Inlet
43	7032508				Gasket—Filter Nut
44	7038946				Filter Nut—Fuel Inlet
45	7040219				Solenoid—Idle Stop
46	7040519				Spring—Solenoid Locking
47	7004597				Spring—Pump Return
48	7048801				Pump Assembly
THROTTLE BODY PARTS					
49	KIT ONLY				Gasket—Throttle Body
50	17054207	17054204	17054207	17054204	Throttle Body Kit
51	17054016				Link—Power Rod Kit
52	17053198				Idle Needle
53	7038989				Spring—Idle Needle
54	17051665				Lever—Pump & Power Rod
55	7010435				Screw—Lever Attaching
56	7043087				Screw—Throttle Body (2)
57	7035267				Link—Pump Lever
58	331124				Gasket—Flange



Delco Carburetor

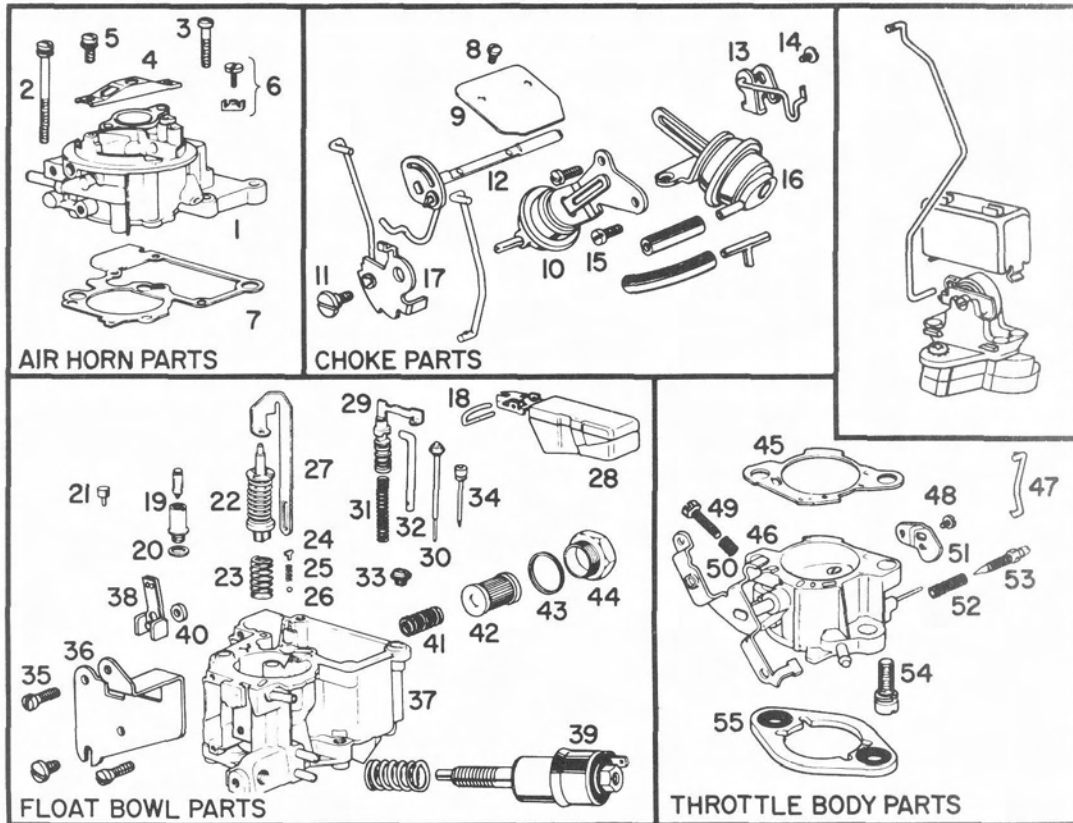
MODEL 1MV MONOJET

1976 PONTIAC ASTRE & SUNBIRD

140 CUBIC INCH "4"

BULLETIN 9C-6075
 DATE: July, 1978
 PAGE 1
 Replaces 9C-6075
 Dated November 1975

PARTS SHOWN ARE FOR IDENTIFICATION ONLY. CONSULT PARTS LIST FOR CORRECT PART NAME AND NUMBER



PARTS IN ALL COLUMNS SAME — EXCEPT WHERE INDICATED

	AUTO. TRANS. FEDERAL	MAN. TRANS. FEDERAL	APPLICATION
	17056022	17056023	CARBURETOR No. (Non Air Cond.)
	17056026	17056027	CARBURETOR No. (Air Cond.)
	21-3106	21-3106	REPLACEMENT PACKAGE No.
	17052853		OVERHAUL KIT
	9290		POWER CARBURETOR KIT
	40-442		GASKET SET
Illus. No.	AIR HORN PARTS		
1	17050828		Air Horn Assembly
2	7043089		Screw—Air Horn (Long)
3	7030917		Screw—Air Horn (Short)
4	7043656		Bracket—Air Cleaner Stud
5	7042813		Screw—Bracket Attaching
6	—		Idle Vent Valve Kit
7	7040137		Gasket—Air Horn
	CHOKE PARTS		
8	7020926		Screw—Choke Valve
9	7049918		Choke Valve
10	7044104		Aux. Vacuum Brk. Assy. Secondary
11	7003561		Screw—Cam Attaching
12	7043083		Choke Shaft Lever & Link Assembly
13	7041238		Choke Lever & Link Assembly
14	7019709		Screw—Choke Lever
15	7043095		Screw—Vac. Break Bracket
16	7043098		Vacuum Break Control Assembly Aux.
—	7026339		Hose Vacuum
17	17053085		Cam & Link Assy.

	17056022	17056023	CARBURETOR No. (Non Air Cond.)
	17056026	17056027	CARBURETOR No. (Air Cond.)
Illus. No.	FLOAT BOWL PARTS		
18	7034032		Hinge Pin—Float
19	30-149		Needle and Seat Assembly
20	KIT ONLY		Gasket—Needle Seat
21	7042849		Power Valve
22	7045943		Pump Assembly
23	7004597		Spring—Pump Return
24	7003838		Guide—Pump Discharge
25	7002118		Spring—Pump Discharge
26	7002117		Ball—Pump Discharge
27	17056474		Lever—Pump Actuating
28	7037022		Float Assembly
29	—		Power Piston Assembly
30	—		Metering Rod & Spring Assembly
31	—		Spring—Power Piston
32	—		Rod—Power Piston
33	7034153		Jet—Main Metering
34	17052329	17052333	Idle Tube Assembly
35	7041272		Screw—Cover (Air Cond.)
36	7041512		Cover—Idle Compensator (Air Cond.)
37	17050666	7046966	Float Bowl Assembly
38	7035667	7035288	Idle Compensator Assembly (Air. Cond.)
39	—		Screw—Slow Idle
40	7027970		Gasket—Idle Compensator (Air Cond.)
41	7032732		Spring—Fuel Filter
42	GF-470		Filter—Fuel Inlet
43	7032508		Gasket—Filter Nut
44	7038946		Filter Nut—Fuel Inlet
—	7040219		Solenoid—Idle Stop
—	7040519		Spring—Solenoid Locking
	THROTTLE BODY PARTS		
45	KIT ONLY		Gasket—Throttle Body
46	17052469		Throttle Body Assembly
47	7040900		Link—Pump Lever
48	7010435		Screw—Lever Attaching
49	17050381		Screw—Fast Idle
50	7041519		Spring—Fast Idle Screw
51	7027005		Lever Pump Rod
52	7038989		Spring—Idle Needle
53	7048964		Idle Needle
54	7043087		Screw—Throttle Body
55	3983440		Gasket—Flange
—	331124		Insulator—Flange



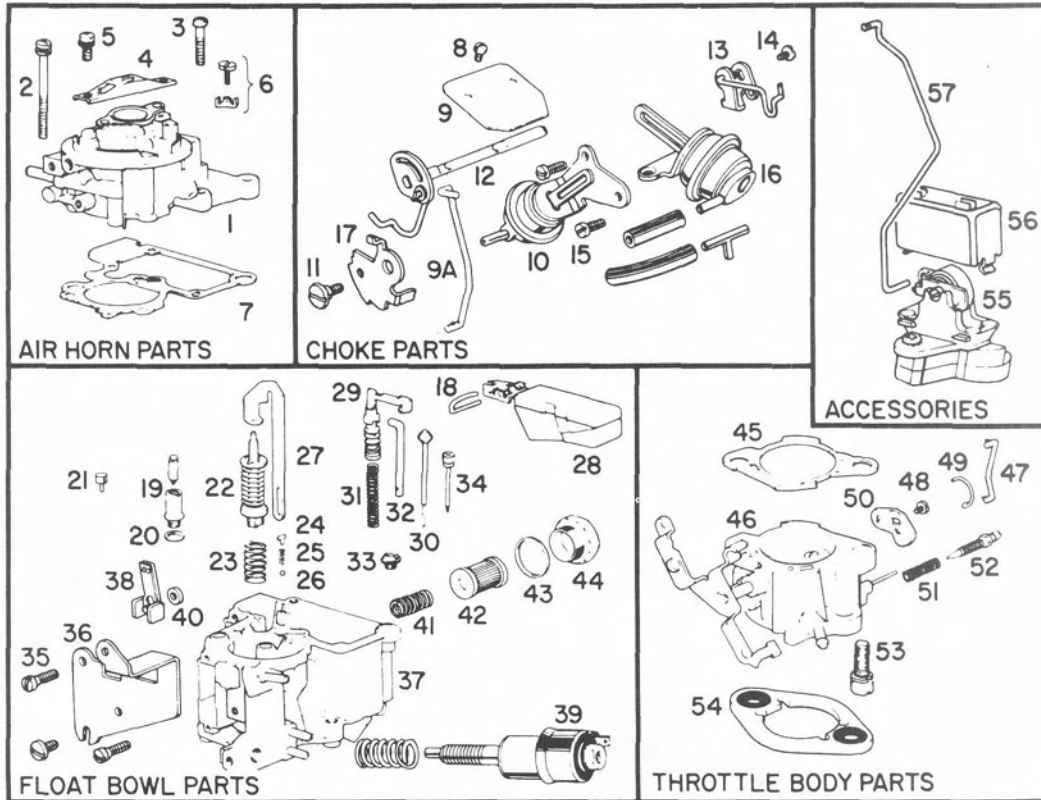
Delco Carburetor

MODEL MV CARBURETORS

1976 PONTIAC LEMANS, VENTURA & FIREBIRD "6" 250 CUBIC INCH ENGINE

BULLETIN 9C-6076
DATE: July, 1978
PAGE 1
Replaces 9C-6076
Dated November 1975

PARTS SHOWN ARE FOR IDENTIFICATION ONLY. CONSULT PARTS LIST FOR CORRECT PART NAME AND NUMBER



PARTS IN ALL COLUMNS SAME — EXCEPT WHERE INDICATED

	A-F-X NON AIR-COND AUTO. TRANS. FEDERAL	A-F-X MAN. TRANS. FEDERAL	F-X AIR-COND. AUTO. TRANS. FEDERAL	APPLICATION
	17056012	17056013	17056014	CARBURETOR No.
	21-3110	21-3149	21-3110	REPLACEMENT PACKAGE No.
	17052899	17052898	17052899	OVERHAUL KIT
	9296			POWER CARBURETOR KIT
	40-447			GASKET SET
AIR HORN PARTS				
Illus. No.				
1	17053407			Air Horn Assembly
2	7043089			Screw—Air Horn (Long)
3	7030917			Screw—Air Horn (Short)
4	7043588			Bracket—Air Cleaner Stud
5	7042813			Screw—Bracket Attaching
6	—			Idle Vent Valve Kit
7	7035166			Gasket—Air Horn
CHOKE PARTS				
8	7020926			Screw—Choke Valve
9	17052251			Choke Valve
9A	7043131			Link—Vacuum Break—Sec.
10	7043127			Vac. Break Control—Sec.
11	7003561			Screw—Cam Attaching
12	7043099			Choke Shaft, Lever & Link
13	17051769			Choke Lever & Link
14	7019709			Screw—Choke Lever
15	7043095			Screw—Vac. Break Bracket
16	17060445			Vacuum Break Control Assembly—Pri.
—	7026339			Hose—Vac. Break
17	17052358			Cam—Fast Idle

	17056012	17056013	17056014	CARBURETOR No.
Illus. No.	FLOAT BOWL PARTS			
18	7034032			Hinge Pin—Float
19	30-133			Needle and Seat Assembly
20	KIT ONLY			Gasket—Needle Seat
21	—			Power Valve
22	7037595			Pump Assembly
23	7041176			Spring—Pump Return
24	7003838			Guide—Pump Discharge
25	7002118			Spring—Pump Discharge
26	7002117			Ball—Pump Discharge
27	17056474			Lever—Pump Actuating
28	7037022			Float Assembly
29	7035889	7037804	7035889	Power Piston Assembly
30	17052052	7043775	17052052	Metering Rod & Spring Assembly
31	7034360			Spring—Power Piston
32	17054016			Rod—Power Piston Kit
33	7034203			Jet—Main Metering
34	17052347	17052338	17052347	Idle Tube Assembly
35	7041287			Screw—Bracket (2)
—	17050024			Screw—Bracket (1)
36	17050025			Bracket—Throttle Return Spring
37	17053909	17052896	17053910	Float Bowl Assembly
38	NONE	NONE	7035870	Idle Compensator Assembly
39	7043575			Solenoid—Idle Stop
40	NONE	NONE	7027970	Gasket—Idle Compensator
41	7032732			Spring—Fuel Filter
42	GF-470			Filter—Fuel Inlet
43	7032508			Gasket—Filter Nut
44	7038946			Filter Nut—Fuel Inlet
	THROTTLE BODY PARTS			
45	KIT ONLY			Gasket—Throttle Body
46	17053529			Throttle Body Assembly
47	7035267			Link—Pump Lever
48	7010435			Screw—Lever Attaching
49	17054016			Link—Power Piston Rod Kit
50	17054016			Lever—Pump and Power Rods Kit
51	7038989			Spring—Idle Needle
52	7048964			Idle Needle
53	7043087			Screw—Throttle Body
54	333977			Insulator—Flange
	ACCESSORIES			
55	17052651			Manifold Stat Coil Assembly
56	17051424			Cover—Manifold Stat Coil
57	7043516			Link—Manifold Stat Coil



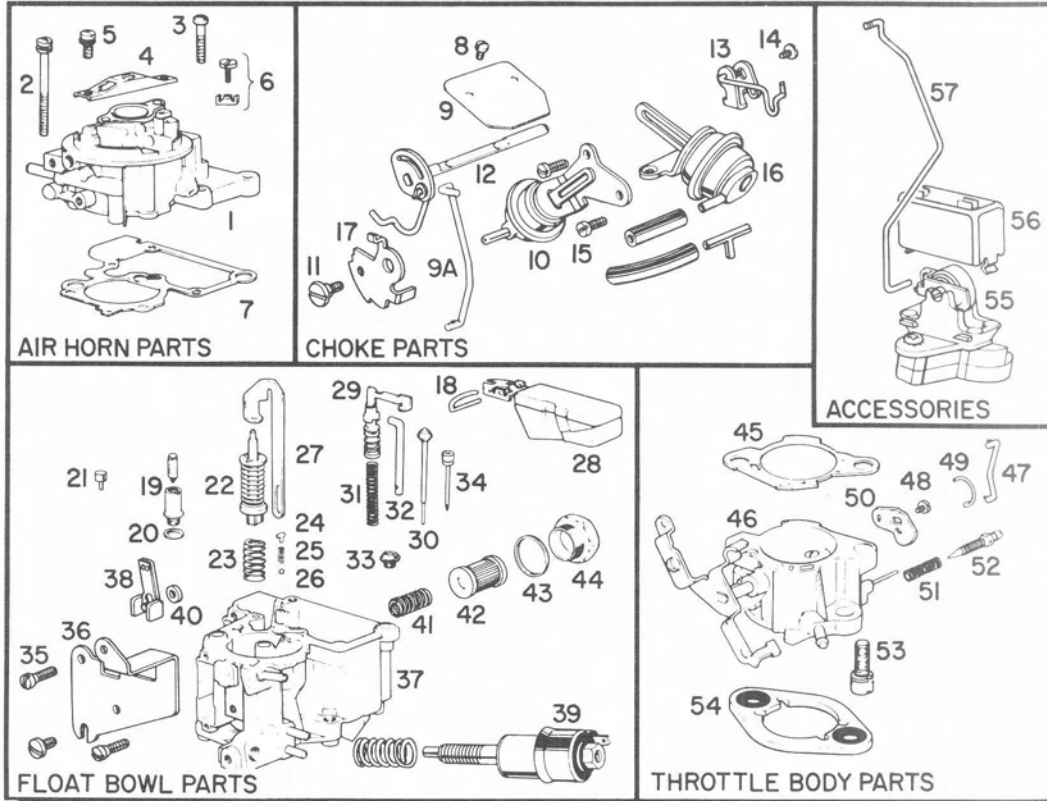
Delco Carburetor

MODEL MV CARBURETORS

1976 PONTIAC LEMANS, VENTURA & FIREBIRD "6" 250 CUBIC INCH ENGINE

BULLETIN 9C-6077
DATE: July, 1978
PAGE 1
Replaces 9C-6077
Dated November 1975

PARTS SHOWN ARE FOR IDENTIFICATION ONLY. CONSULT PARTS LIST FOR CORRECT PART NAME AND NUMBER



PARTS IN ALL COLUMNS SAME — EXCEPT WHERE INDICATED

	A-F-X MAN. TRANS. FEDERAL	GRAND LEMANS SEDAN AIR & NON-AIR AUTO. TRANS. FEDERAL	A-F-X AUTO. TRANS. CALIFORNIA	APPLICATION
	17056015	17056018	17056314	CARBURETOR No.
	21-3085	21-3110	21-3149	REPLACEMENT PACKAGE No.
	17052970	17052899	17052970	OVERHAUL KIT
	9296			POWER CARBURETOR KIT
	40-447			GASKET SET
AIR HORN PARTS				
Illus. No.	17053407	17053407	17050834	Air Horn Assembly
1	7043089			Screw—Air Horn (Long)
2	7030917			Screw—Air Horn (Short)
3	7043588			Bracket—Air Cleaner Stud
4	7042813			Screw—Bracket Attaching
5	—			Idle Vent Valve Kit
6	7035166			Gasket—Air Horn
7				
CHOKE PARTS				
8	7020926			Screw—Choke Valve
9	17052251			Choke Valve
9A	7043131			Link—Vacuum Break—Sec.
10	7043127			Vac. Break Control—Sec.
11	7003561			Screw—Cam Attaching

	17056015	17056018	17056314	CARBURETOR No.
Illus. No.	CHOKE PARTS (Continued)			
12	7043099			Choke Shaft, Lever & Link
13	17051769			Choke Lever & Link
14	7019709			Screw—Choke Lever
15	7043095			Screw—Vac. Break Bracket
16	17052250			Vacuum Break Control Assembly—Pri.
—	7026339			Hose—Vac. Break
17	17052358			Cam—Fast Idle
FLOAT BOWL PARTS				
18	7034032			Hinge Pin—Float
19	30-133			Needle and Seat Assembly
20	KIT ONLY			Gasket—Needle Seat
21	—			Power Valve
22	7037595			Pump Assembly
23	7041176			Spring—Pump Return
24	7003838			Guide—Pump Discharge
25	7002118			Spring—Pump Discharge
26	7002117			Ball—Pump Discharge
27	17056474			Lever—Pump Actuating
28	7037022			Float Assembly
29	7037804	7037804	7035889	Power Piston Assembly
30	17053016	17052052	17053799	Metering Rod & Spring Assembly
31	7036280	7036280	7012515	Spring—Power Piston
32	17054016			Rod—Power Piston Kit
33	7034202	7034203	7034203	Jet—Main Metering
34	17052338	17052347	17052344	Idle Tube Assembly
35	7041287			Screw—Bracket (2)
—	17050024			Screw—Bracket (1)
36	17050025			Bracket—Throttle Return Spring
37	17053910	17054017	17051894	Float Bowl Assembly
38	7035870			Idle Compensator Assembly
39	7043575			Solenoid—Idle Stop
40	7027970			Gasket—Idle Compensator
41	7032732			Spring—Fuel Filter
42	GF-470			Filter—Fuel Inlet
43	7032508			Gasket—Filter Nut
44	7038946			Filter Nut—Fuel Inlet
THROTTLE BODY PARTS				
45	KIT ONLY			Gasket—Throttle Body
46	17053529			Throttle Body Assembly
47	7035267			Link—Pump Lever
48	7010435			Screw—Lever Attaching
49	17054016			Link—Power Piston Rod Kit
50	17054016			Lever—Pump and Power Rods Kit
51	7038989			Spring—Idle Needle
52	7048964			Idle Needle
53	7043087			Screw—Throttle Body
54	333977			Insulator—Flange
ACCESSORIES				
55	17052651			Manifold Stat Coil Assembly
56	17051424			Cover—Manifold Stat Coil
57	7043516			Link—Manifold Stat Coil



Delco Carburetor

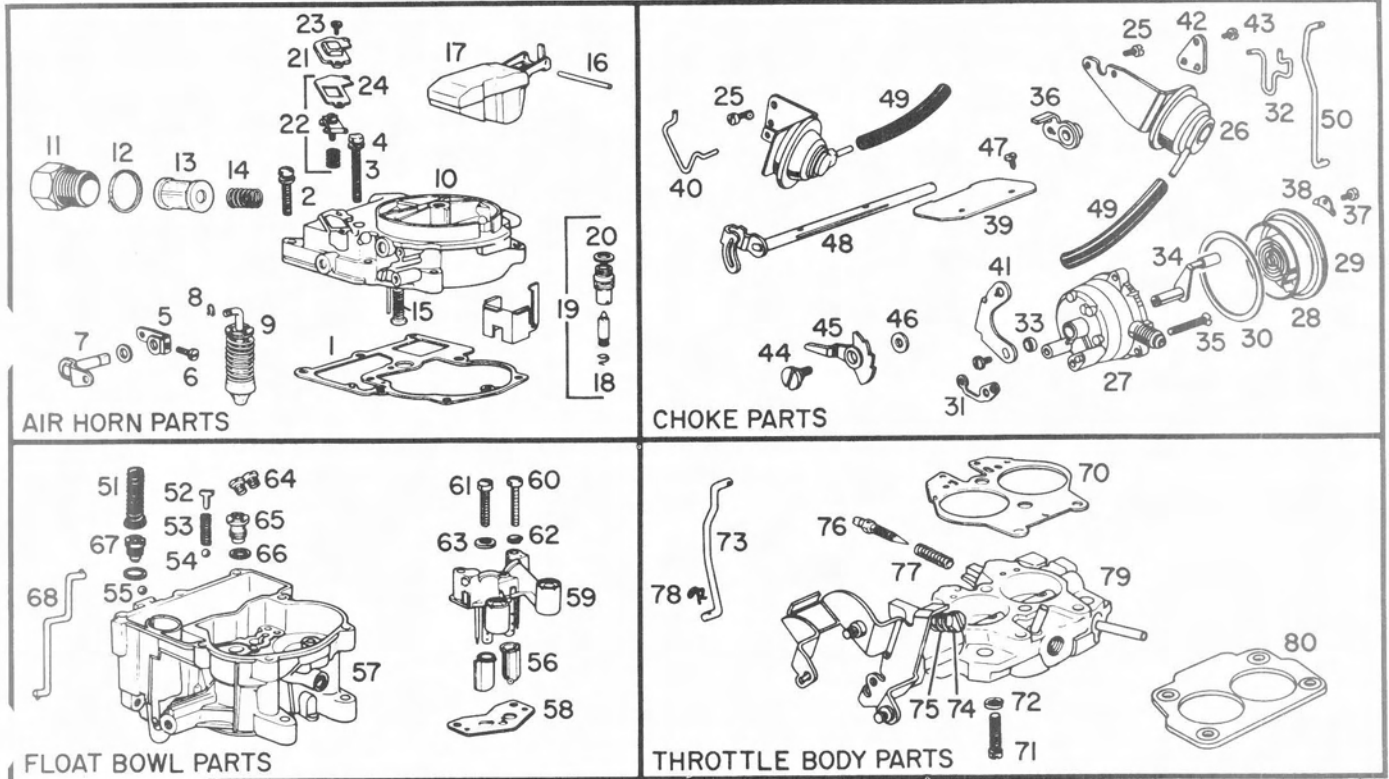
MODEL 2GC CARBURETORS

1976 PONTIAC SUNBIRD

231 CUBIC INCH ENGINE

BULLETIN 9C-6078
 DATE: July, 1978
 PAGE 1
 Replaces 9C-6078
 Dated November 1975

PARTS SHOWN ARE FOR IDENTIFICATION ONLY. CONSULT PARTS LIST FOR CORRECT PART NAME AND NUMBER



PARTS IN ALL COLUMNS SAME — EXCEPT WHERE INDICATED

ILLUS. NO.	FEDERAL		CALIFORNIA MAN. TRANS.	CALIFORNIA AUTO. TRANS.	APPLICATION
	MAN. TRANS.	AUTO. TRANS.			
	17056145	17056149	17056447	17056449	CARBURETOR No.
	22-188	22-1220	22-171	22-172	REPLACEMENT PACKAGE No.
	17053816	17053817	17053816	17053817	OVERHAUL KIT
	9307				POWER CARB. KIT
	40-439				GASKET SET
AIR HORN PARTS					
1	17050409				Gasket—Air Horn
2	7010432				Screw—Air Horn—Long
3	7006119				Screw—Air Horn—Short
4	120217				Lockwasher—Air Horn Screw
5	7032377				Pump Lever—Inside
6	7011270				Screw—Pump Lever
7	17052510	17052510	17053815	17052510	Pump Shaft & Lever Kit
—	7019568				Washer—Pump Shaft
8	—				Clip—Pump
9	17052368				Pump Assembly
10	17052862				Air Horn Assembly
11	7040955				Filter Nut—Fuel Inlet
12	7032508				Gasket—Filter Nut
13	GF-470				Filter—Fuel Inlet
14	7034356				Spring—Fuel Inlet Filter
15	7006011	7009054	7006011	7006011	Power Piston Assembly
16	7002081				Pin—Float Hinge
17	7037512				Float Assembly
18	—				Pull Clip—Float Needle
19	30-152				Needle & Seat Assy.
20	KIT ONLY				Gasket—Needle Seat
21	17050272				Cover—Idle Vent

	17056145	17056149	17056447	17056449	CARBURETOR No.
Illus. No.	AIR HORN PARTS (Continued)				
22	—				Idle Vent Valve Kit
23	7015127				Screw—Idle Vent Cover (2)
24	17053051				Gasket—Cover
CHOKE PARTS					
25	7037570				Screw—Control Attaching
26	7043585				Vacuum Break Control & Bracket Assy.
—	7049893				Aux. Vacuum Break Control Assy.
27	17052119				Choke Housing
28					Baffle Plate
29	17052512				Stat Cover, Coil & Gasket Assy.
30	17050961				Gasket—Stat Cover
31	7037796				Gasket—Choke Housing
32	7038874				Link—Vacuum Break
33	7037569				Dust Seal—Inter. Choke Shaft
34	7037227				Intermediate Choke Shaft Assy.
35	7013704				Screw—Choke Housing
36	7030796				Lever—Choke Shaft
37	7011270				Screw—Stat Cover
38	7000614				Retainer—Stat Cover
39	7033443				Choke Valve
40	7043157				Link—Aux. Vac. Break
41	7030990				Intermediate Choke Lever
42	7047882				Choke Lever
43	7019709				Screw—Choke Levers
44	7036222				Screw—Cam Attaching
45	17051489	17053760	17051250	17051489	Cam—Fast Idle
46	—				Washer—Cam
47	7007627				Screw—Choke Valve
48	17050404				Choke Shaft
49	7026339				Hose—Vacuum
50	7043278				Choke Rod
FLOAT BOWL PARTS					
51	17050241				Spring—Pump Return
52	KIT ONLY				Guide—Pump Discharge
53	7002118				Spring—Pump Discharge
54	7002117				Ball—Pump Discharge
55	17050240				Ball—Pump Inlet Check
56	7037286				Insert—Main Well
57	17052863	17065232	17065232	17052863	Float Bowl Assembly
58	KIT ONLY				Gasket—Venturi Cluster
59	17053770	17053736	17054020	17054164	Venturi Cluster Assembly
60	7045762				Screw—Cluster—Outer
61	7009077				Screw—Cluster—Center
62	120217				Lockwasher—Outer Screw
63	KIT ONLY				Gasket—Center Screw
64	7002650				Jet—Standard
65	17053647				Power Valve Assembly
66	KIT ONLY				Gasket—Power Valve
67	17050246	17051201	17050246	17051201	Aux. Power Valve
68	7043001				Aux. Choke Rod
69	17052388	NONE	17052388	NONE	Solenoid—Idle Stop
—	7043682	NONE	7043682	NONE	Screw—Solenoid Bracket
—	7042654	NONE	7042654	NONE	Nut—Solenoid Retaining
—	7042653	NONE	7042653	NONE	Washer—Tab Locking
—	17050425	NONE	17050425	NONE	Bracket & Washer Assy. Solenoid
THROTTLE BODY PARTS					
70	KIT ONLY				Gasket—Throttle Body
71	7015105				Screw—Throttle Body
72	—				Lockwasher—Throttle Body
73	7038799				Pump Rod
74	7029427				Idle Speed Screw
75	7029428				Spring—Idle Speed Screw
76	17050301				Idle Needle
77	7011479				Spring—Idle Needle
78	7018186				Clip—Pump Rod
79	17053989	17053988	17053989	17053988	Throttle Body Assembly
80	1248832				Flange Gasket



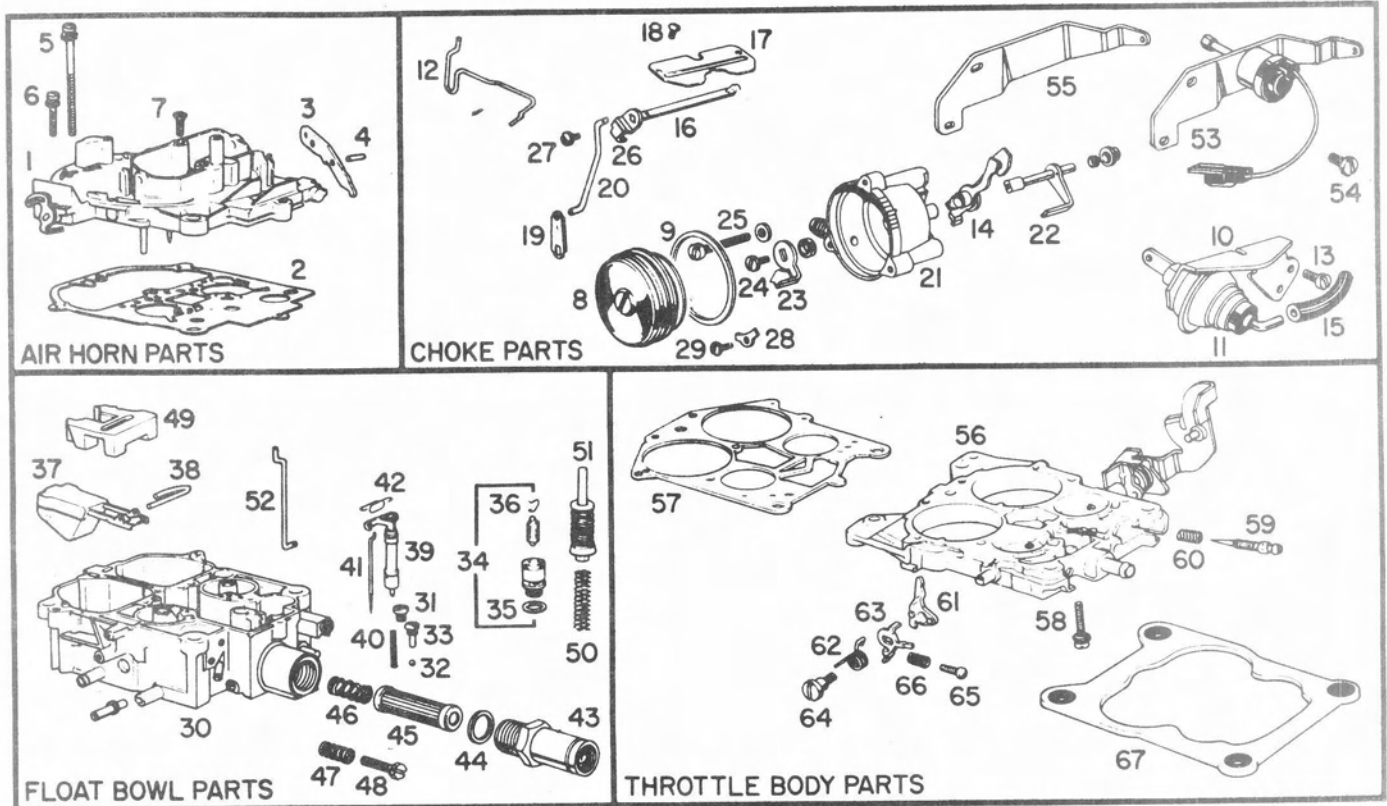
Delco Carburetor

MODEL 2MC DUALJET

1976 PONTIAC LEMANS & VENTURA (1ST TYPE)
260 CUBIC INCH ENGINE

BULLETIN 9C-6079
DATE: July, 1978
PAGE 1
Replaces 9C-6079
Dated November 1976

PARTS SHOWN ARE FOR IDENTIFICATION ONLY. CONSULT PARTS LIST FOR CORRECT PART NAME AND NUMBER



AIR HORN PARTS

CHOKE PARTS

FLOAT BOWL PARTS

THROTTLE BODY PARTS

PARTS IN ALL COLUMNS SAME — EXCEPT WHERE INDICATED

	AIR COND. LEMANS & VENTURA AUTO. TRANS. FEDERAL	AIR- NON AIR LEMANS & VENTURA MAN. TRANS. FEDERAL	NON AIR LEMANS & VENTURA AUTO. TRANS. FEDERAL	NON AIR COND. VENTURA AUTO. TRANS. CALIF.	AIR COND. VENTURA AUTO. TRANS. CALIF.	APPLICATION
	17056156	17056157	17056158	17056454	17056458	CARBURETOR No.
	22-579	22-583	22-579	22-581	22-581	REPLACEMENT PACKAGE No.
	17055074	17052858	17055074	17052859	17052859	OVERHAUL KIT
	9292	9291	9292	9291	9291	POWER CARBURETOR KIT
	40-443					GASKET SET

Illus. No.	AIR HORN PARTS					
1	17052186	17052186	17052186	17051007	17051007	Air Horn Assembly
2	7029087					Gasket—Air Horn
3	7048169					Lever—Pump Actuating
4	9428787					Roll Pin—Pump & Lockout Lever Hinge
5	7029912					Screw—Air Horn
6	7014699					Screw—Air Horn
7	7031105					Screw—Air Horn
	CHOKE PARTS					
8	17052585					Stat Cover, Coil & Gasket Assy.
9	17050961					Gasket—Start Cover
10	7046468	17051027	7046468	7046468	7046468	Vacuum Break Control & Brkt. Assy.
11	17052191	17051025	17052191	17052191	17052191	Vacuum Break Control Assy.
12	7038305					Rod—Vacuum

	17056156	17056157	17056158	17056454	17056458	CARBURETOR No.
Illus. No.	CHOKE PARTS (Continued)					
13	7038581					Screw—Control Attaching
14	17051019					Cam—Fast Idle
15	7026339					Hose—Vacuum
16	7038259					Choke Shaft
17	7045665					Choke Valve
18	7029866					Screw—Choke Valve
19	7031231					Lever—Intermediate Choke
20	7038269					Rod—Choke
21	17052500					Choke Housing Kit
22	7038282					Inter. Choke Shaft & Lever Assy.
—	7037569					Seal—Inter. Choke Shaft
—	7043367					Seal—Choke Hsg. to Bowl
23	7038285					Lever—Stat Coil
24	7019709					Screw—Coil Lever
25	7038808					Screw—Choke Hsg. to Bowl
26	7038301					Lever—Choke
27	7029866					Screw—Choke Lever
28	7000614					Retainer—Stat Cover
29	7011270					Screw—Stat Cover
	FLOAT BOWL PARTS					
30	17055075	17052831	17055075	17052832	17052832	Float Bowl Assembly
31	7031963	7031963	7031963	7031964	7031964	Jet—Primary
32	7002117					Ball—Pump Discharge
33	7029849					Retainer—Pump Discharge Ball
34	30-142					Needle & Seat Assy.
35	KIT ONLY					Gasket—Needle Seat
36	7033751					Pull Clip—Float Needle
37	7046301					Float Assembly
38	7029856					Hinge Pin—Float Assembly
39	7040163					Power Piston Assembly
40	17051705					Spring—Power Piston—Primary
41	7049942	7034838	7049942	7034832	7034832	Metering Rod—Primary
42	7029862					Spring—Metering Rod—Primary
43	7045878					Filter Nut—Fuel Inlet
44	7024281					Gasket—Filter Nut
45	GF-471					Filter—Fuel Inlet
46	7032732					Spring Fuel Filter
47	7003176					Spring—Idle Stop Screw
48	7002121					Screw—Idle Stop
49	7034361					Insert—Float Bowl
50	7042979					Spring—Pump Return
51	17053072	7048874	17053072	7048874	7048874	Pump Assembly
52	7026138					Rod Pump
53	7043625	NONE	NONE	NONE	7043625	Solenoid & Bracket Assy.
54	7030567	NONE	7030567	7030567	7030567	Screw—Bracket Attaching (2)
55	NONE	NONE	7043624	7043624	NONE	Bracket—Throttle Return
	THROTTLE BODY PARTS					
56	17053901					Throttle Body Assembly
57	KIT ONLY					Gasket—Throttle Body
58	7035790					Screw—Throttle Body
59	7048532					Idle Needle
60	7011479					Spring—Idle Needle
61	7041497					Lever—Cam Follower
62	7035772					Spring—Cam Lever
63	7035998					Fast Idle Lever
64	7035523					Screw—Fast Idle Lever
65	7044794					Screw—Fast Idle Adjusting
66	7029900					Spring—Fast Idle Screw
67	419047					Gasket—Flange



Delco Carburetor

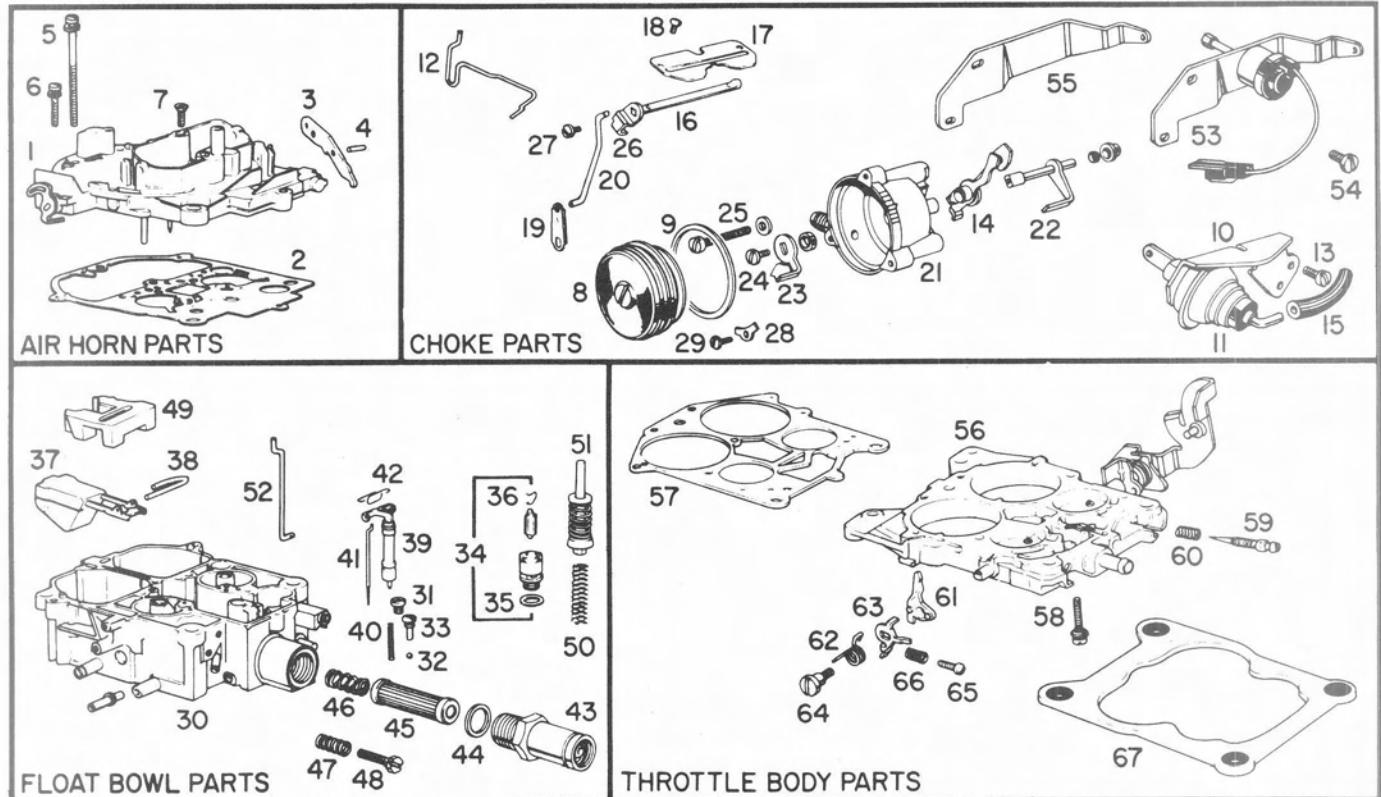
MODEL 2MC DUALJET

1976 PONTIAC LEMANS & VENTURA

260 CUBIC INCH ENGINE AIR & NON AIR CONDITIONED (1ST & 2ND TYPE)

BULLETIN: 9C-6080
 DATE: NOVEMBER 1976
 PAGE: 1
 REPLACES 9C-6080
 DATED NOVEMBER 1975

PARTS SHOWN ARE FOR IDENTIFICATION ONLY. CONSULT PARTS LIST FOR CORRECT PART NAME AND NUMBER



PARTS IN ALL COLUMNS SAME — EXCEPT WHERE INDICATED

	1ST TYPE LEMANS AIR COND. AUTO TRANS. CALIF.	1ST TYPE LEMANS A/C NON A/C AUTO. TRANS. CALIF.	2ND TYPE LEMANS VENTURA AIR COND. AUTO. TRANS. CALIF.	2ND TYPE VENTURA A/C NON A/C MAN. TRANS. CALIF.	APPLICATION
	71056456	17056459	17056455	17056457	CARBURTOR No.
	22-574	22-574	22-576	22-577	REPLACEMENT PACKAGE No.
	17052859	17052859	17052857	17052859	OVERHAUL KIT
	9291	9291	9292	9291	POWER CARBURETOR KIT
	40-443				GASKET SET

Illus. No.	AIR HORN PARTS				
1	17051007	17051007	17052186	17051007	Air Horn Assembly
2	7029087				Gasket—Air Horn
3	7048169				Lever—Pump Actuating
4	9428787				Roll Pin—Pump & Lockout Lever Hinge
5	7029912				Screw—Air Horn
6	7014699				Screw—Air Horn
7	7031105				Screw—Air Horn
—					
—					
	CHOKE PARTS				
8	17052585				Stat Cover, Coil & Gasket Assy.
9	17050961				Gasket—Start Cover
10	7046468	7046468	7046468	17051027	Vacuum Break Control & Brkt. Assy.
11	17052191	17052191	17052191	17051025	Vacuum Break Control Assy.
12	7038305				Link—Vac. Brk.

	17056456	17056459	17056455	17056457	CARBURETOR No.
CHOKE PARTS (Continued)					
Illus. No.					
13	7038581				Screw—Control Attaching
14	17051019				Cam—Fast Idle
15	7026339				Hose—Vacuum
16	7038259				Choke Shaft
17	7045665				Choke Valve
18	7029866				Screw—Choke Valve
19	7031231				Lever—Intermediate Choke
20	7038269				Rod—Choke
21	17052500				Choke Housing Kit
22	7038282				Inter. Choke Shaft & Lever Assy.
—	7037569				Seal—Inter. Choke Shaft
—	7043367				Seal—Choke Hsg. to Bowl
23	7038285				Lever—Stat Coil
24	7019709				Screw—Coil Lever
25	7038808				Screw—Choke Hsg. to Bowl
26	7038301				Lever—Choke
27	7029866				Screw—Choke Lever
28	7000614				Retainer—Stat Cover
29	7011270				Screw—Stat Cover
FLOAT BOWL PARTS					
30	17051895	17051895	17052831	17052831	Float Bowl Assembly
31	7031964	7031964	7031963	7031964	Jet—Primary
32	7002117				Ball—Pump Discharge
33	7029849				Retainer—Pump Discharge Ball
34	30-142				Needle & Seat Assy.
35	KIT ONLY				Gasket—Needle Seat
36	7033751				Pull Clip—Float Needle
37	7046301				Float Assembly
38	7029856				Hinge Pin—Float Assembly
39	7040163				Power Piston Assembly
40	17051705				Spring—Power Piston—Primary
—					
41	7034833	7034833	7048742	7034832	Metering Rod—Primary
42	7029862				Spring—Metering Rod—Primary
43	7045878				Filter Nut—Fuel Inlet
44	7024281				Gasket—Filter Nut
45	GF-471				Filter—Fuel Inlet
46	7032732				Spring Fuel Filter
—					
—					
—					
—					
47	7003176				Spring—Idle Stop Screw
48	7002121				Screw—Idle Stop
49	7034361				Insert—Float Bowl
50	7042979				Spring—Pump Return
51	7048874	7048874	17053072	7048874	Pump Assembly
52	7026138				Rod Pump
53	7043625	NONE	7043625	NONE	Solenoid & Bracket Assy.
54	7030576	7030576	7030576	NONE	Screw—Bracket Attaching
55	NONE	7043624	NONE	NONE	Bracket—Throttle Return
—					
—					
THROTTLE BODY PARTS					
56	17053901	17053901	17051896	17051896	Throttle Body Assembly
57	KIT ONLY				Gasket—Throttle Body
58	7035790				Screw—Throttle Body
59	7048532				Idle Needle
60	7011479				Spring—Idle Needle
61	7041497				Lever—Cam Follower
62	7035772				Spring—Cam Lever
63	7035998				Fast Idle Lever
64	7035523				Screw—Fast Idle Lever
65	7044794				Screw—Fast Idle Adjusting
66	7029900				Spring—Fast Idle Screw
67	419047				Gasket—Flange



Delco Carburetor

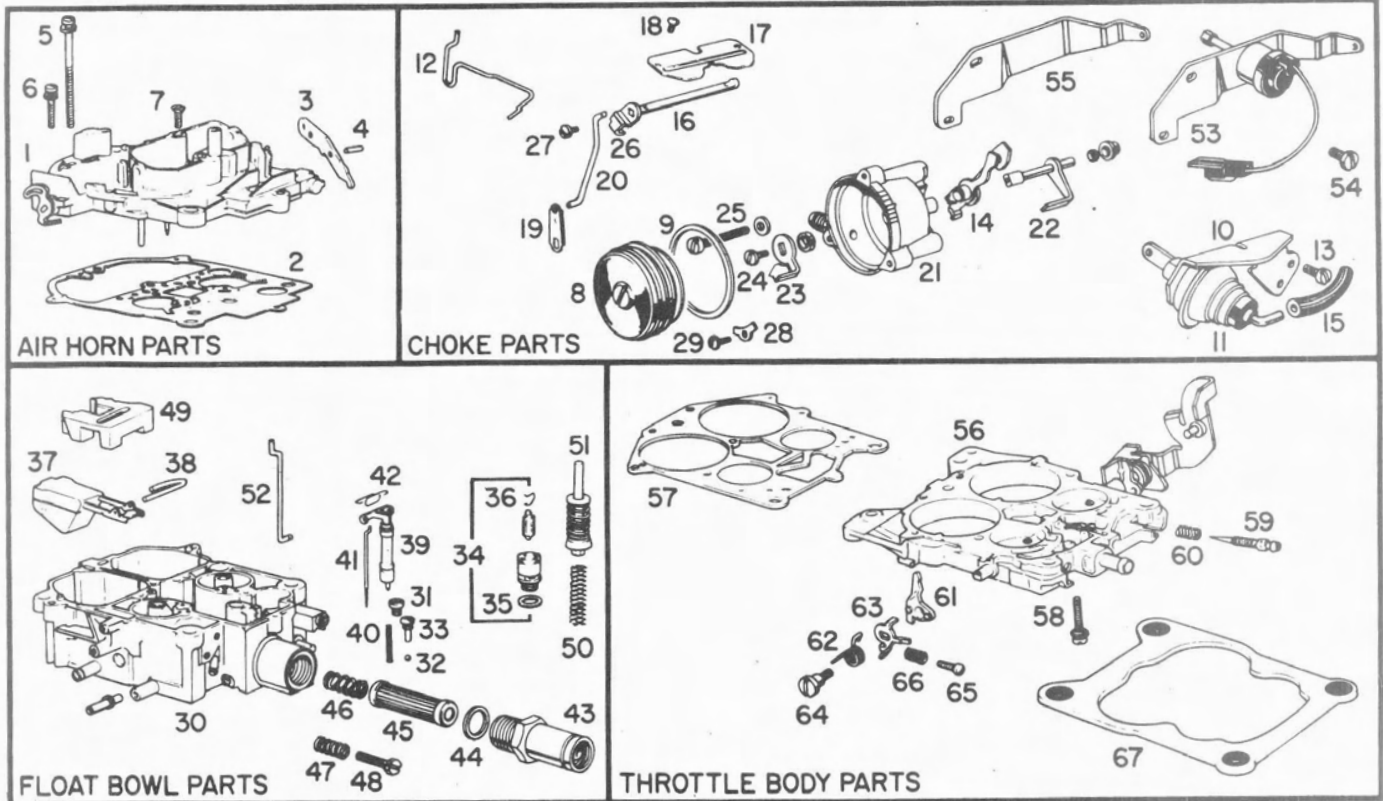
MODEL 2MC DUALJET

1976 PONTIAC VENTURA (3RD TYPE)

260 CUBIC INCH ENGINE AIR & NON AIR CONDITIONED

BULLETIN: 9C-6080-A
DATE: NOVEMBER 1976
PAGE: 1

PARTS SHOWN ARE FOR IDENTIFICATION ONLY. CONSULT PARTS LIST FOR CORRECT PART NAME AND NUMBER



PARTS IN ALL COLUMNS SAME — EXCEPT WHERE INDICATED

	VENTURA AIR COND. AUTO. TRANS. FEDERAL	VENTURA NON A/C AUTO. TRANS. FEDERAL	VENTURA A/C NON A/C AUTO. TRANS. CALIF.	APPLICATION
	17056152	17056154	17056452	CARBURETOR No.
	22-580	22-580	22-585	REPLACEMENT PACKAGE No.
	17055074	17055074	17052859	OVERHAUL KIT
	9292	9292	9291	POWER CARBURETOR KIT
	40-443			GASKET SET
Illus. No.	AIR HORN PARTS			
1	17052186	17052186	17051007	Air Horn Assembly
2	7029087			Gasket—Air Horn
3	7048169			Lever—Pump Actuating
4	9428787			Roll Pin—Pump & Lockout Lever Hinge
5	7029912			Screw—Air Horn
6	7014699			Screw—Air Horn
7	7031105			Screw—Air Horn
—				
—				
	CHOKE PARTS			
8	17052585			Stat Cover, Coil & Gasket Assy.
9	17050961			Gasket—Stat Cover
10	7046468			Vacuum Break Control & Brkt. Assy.
11	17052191			Vacuum Break Control Assy.
12	7038305			Link—Vac. Brk.

	17056152	17056154	17056452	CARBURETOR No.
Illus. No.	CHOKE PARTS (Continued)			
13	7038581			Screw—Control Attaching
14	17051019			Cam—Fast Idle
15	7026339			Hose—Vacuum
16	7038259			Choke Shaft
17	7045665			Choke Valve
18	7029866			Screw—Choke Valve
19	7031231			Lever—Intermediate Choke
20	7038269			Rod—Choke
21	17052500			Choke Housing Kit
22	7038282			Inter. Choke Shaft & Lever Assy.
—	7037569			Seal—Inter. Choke Shaft
—	7043367			Seal—Choke Hsg. to Bowl
23	7038285			Lever—Stat Coil
24	7019709			Screw—Coil Lever
25	7038808			Screw—Choke Hsg. to Bowl
26	7038301			Lever—Choke
27	7029866			Screw—Choke Lever
28	7000614			Retainer—Stat Cover
29	7011270			Screw—Stat Cover
FLOAT BOWL PARTS				
30	17055075	17055075	17052832	Float Bowl Assembly
31	7031963	7031963	7031964	Jet—Primary
32	7002117			Ball—Pump Discharge
33	7029849			Retainer—Pump Discharge Ball
34	30-142			Needle & Seat Assy.
35	KIT ONLY			Gasket—Needle Seat
36	7033751			Pull Clip—Float Needle
37	7046301			Float Assembly
38	7029856			Hinge Pin—Float Assembly
39	7040163			Power Piston Assembly
40	17051705			Spring—Power Piston—Primary
—				
41	7049942	7049942	7034832	Metering Rod—Primary
42	7029862			Spring—Metering Rod—Primary
43	7045878			Filter Nut—Fuel Inlet
44	7024281			Gasket—Filter Nut
45	GF-471			Filter—Fuel Inlet
46	7032732			Spring Fuel Filter
—				
—				
—				
47	7003176			Spring—Idle Stop Screw
48	7002121			Screw—Idle Stop
49	7034361			Insert—Float Bowl
50	7042979			Spring—Pump Return
51	17053072	17053072	7048874	Pump Assembly
52	7026138			Rod Pump
53	7043625	NONE	7043625	Solenoid & Bracket Assy.
54	7030576			Screw—Bracket Attaching
55	NONE	7043624	NONE	Bracket—Throttle Return
—				
—				
THROTTLE BODY PARTS				
56	17055069			Throttle Body Assembly
57	KIT ONLY			Gasket—Throttle Body
58	7035790			Screw—Throttle Body
59	7048532			Idle Needle
60	7011479			Spring—Idle Needle
61	7041497			Lever—Cam Follower
62	7035772			Spring—Cam Lever
63	7035998			Fast Idle Lever
64	7035523			Screw—Fast Idle Lever
65	7044794			Screw—Fast Idle Adjusting
66	7029900			Spring—Fast Idle Screw
67	419047			Gasket—Flange



Delco Carburetor

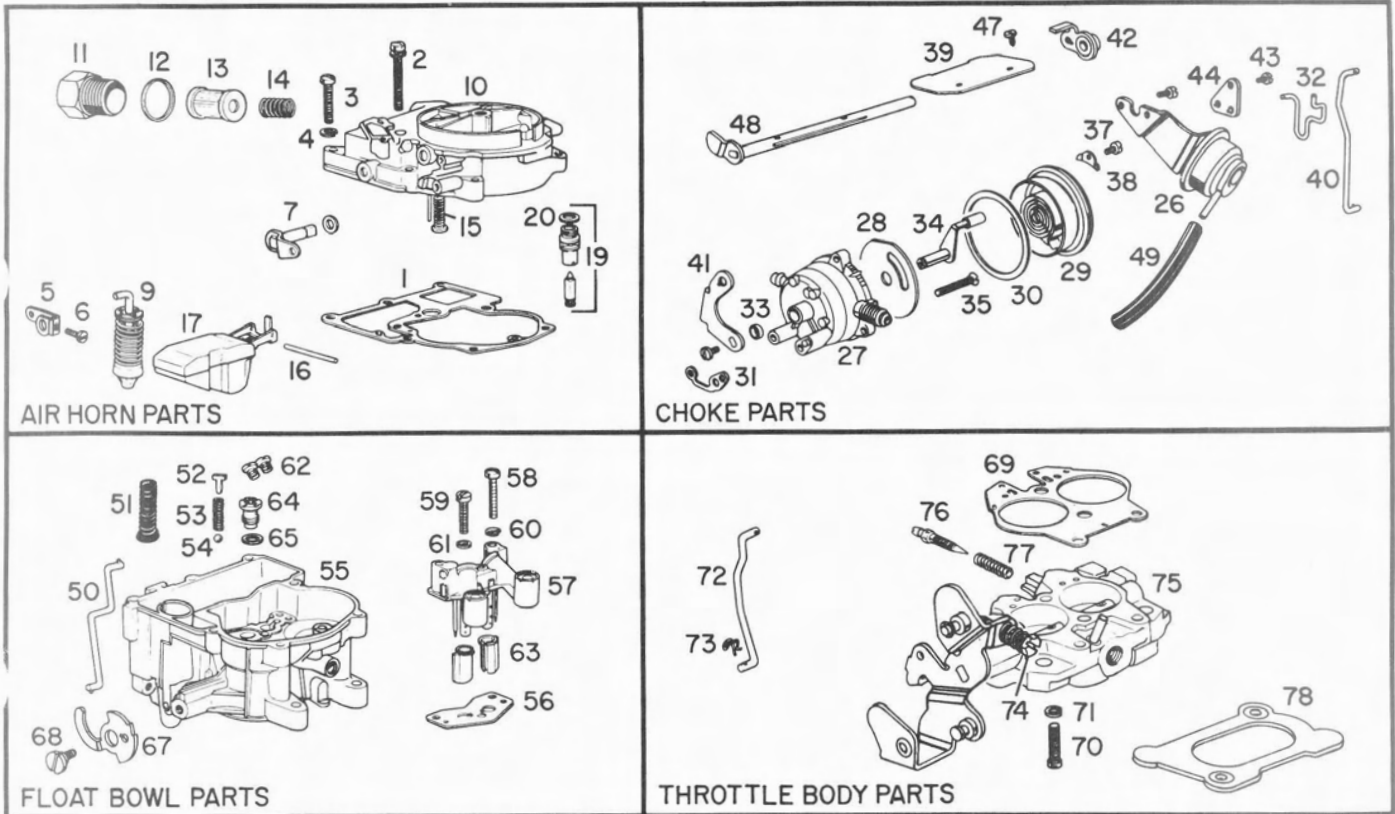
MODEL 2GC CARBURETORS

1976 PONTIAC LEMANS

CANADA ONLY
305 CUBIC INCH ENGINE

BULLETIN: 9C-6081
DATE: NOVEMBER 1975
PAGE: 1

PARTS SHOWN ARE FOR IDENTIFICATION ONLY. CONSULT PARTS LIST FOR CORRECT PART NAME AND NUMBER



PARTS IN ALL COLUMNS SAME – EXCEPT WHERE INDICATED

	AUTO. TRANS.	APPLICATION
	17056108	CARBURETOR No.
	22-3076	REPLACEMENT PKG. No.
	17052979	OVERHAUL KIT
	9297	POWER CARBURETOR KIT
	40-448	GASKET SET
Illus. No.	AIR HORN PARTS	
1	7045671	Gasket—Air Horn
2	7010432	Screw—Air Horn—Long
3	7006119	Screw—Air Horn—Short
4	120217	Lockwasher—Air Horn Screw
5	7032377	Pump Lever—Inside
6	7011270	Screw—Pump Lever
7	7044029	Pump Shaft & Lever Kit
—	7019568	Washer—Pump Shaft
8	—	Clip—Pump
9	7036282	Pump Assembly
10	17052976	Air Horn Assembly
11	17051765	Filter Nut—Fuel Inlet
12	7032508	Gasket—Filter Nut
13	GF-470	Filter—Fuel Inlet
14	7032732	Spring—Fuel Inlet Filter
15	7009054	Power Piston Assembly
16	7002081	Pin—Float Hinge
17	7037512	Float Assembly
18	—	Pull Clip—Float Needle

	17056108	CARBURETOR No.
Illus. No.	AIR HORN PARTS (Continued)	
19	30-144	Needle & Seat Assy.
20	KIT ONLY	Gasket—Needle Seat
21	—	Shield—Idle Vent
22	—	Idle Vent Valve Kit
23	—	Screw—Idle Vent Valve
24	—	Idle Vent Valve
25	—	Vacuum Break Control Assembly
26	7044056	Vacuum Break Control & Bracket Assy.
—	7037570	Screw—Control Attaching
27	17050876	Choke Housing
28	7037239	Baffle Plate
29	17052654	Stat Cover, Coil & Gasket Assy.
30	17050961	Gasket—Stat Cover
31	7043291	Gasket—Choke Housing
32	7040239	Link—Vacuum Break
33	7037569	Dust Seal—Inter. Choke Shaft
34	7043289	Intermediate Choke Shaft Assy.
35	7043292	Screw—Choke Housing
36	—	Cam Lever & Bushing Assembly
37	7011270	Screw—Stat Cover
38	7000614	Retainer—Stat Cover
39	7033443	Choke Valve
40	17050270	Intermediate Choke Rod
41	17050266	Intermediate Choke Lever
42	17050766	Lever Choke
43	7019709	Screw—Choke Levers
44	17050271	Lever—Choke Shaft
45	—	—
46	—	Washer—Cam
47	7007627	Screw—Choke Valve
48	7047797	Choke Shaft Assy
49	7026339	Hose—Vacuum
50	7043370	Choke Rod
FLOAT BOWL PARTS		
51	7041141	Spring—Pump Return
—	7002120	Ball—Pump Inlet Check
—	—	Strainer—Pump Inlet
52	7000286	Guide—Pump Discharge
53	7002118	Spring—Pump Discharge
54	7002117	Ball—Pump Discharge
55	17052653	Float Bowl Assembly
56	KIT ONLY	Gasket—Venturi Cluster
57	17053672	Venturi Cluster Assembly
58	7045762	Screw—Venturi Cluster—Outer
59	7009077	Screw—Cluster—Center
60	120217	Lockwasher—Outer Screws
61	KIT ONLY	Gasket—Center Screw
62	7002652	Jet—Standard (See Note)
63	7040320	Insert—Main Well
64	7011989	Power Valve Assembly
65	KIT ONLY	Gasket—Power Valve
66	—	—
67	7044039	Cam—Fast Idle
68	7036222	Screw—Cam Attaching
THROTTLE BODY PARTS		
69	KIT ONLY	Gasket—Throttle Body
70	7015105	Screw—Throttle Body
71	121744	Lockwasher—Throttle Body Screws
72	7041249	Pump Rod
73	7018186	Clip—Pump Rod
74	7029427	Idle Stop Screw
—	7041519	Spring—Idle Stop Screw
75	17052981	Throttle Body Assembly
76	7048860	Idle Needle
77	7011479	Spring—Idle Needle
78	6271058	Insulator—Flange



Delco Carburetor

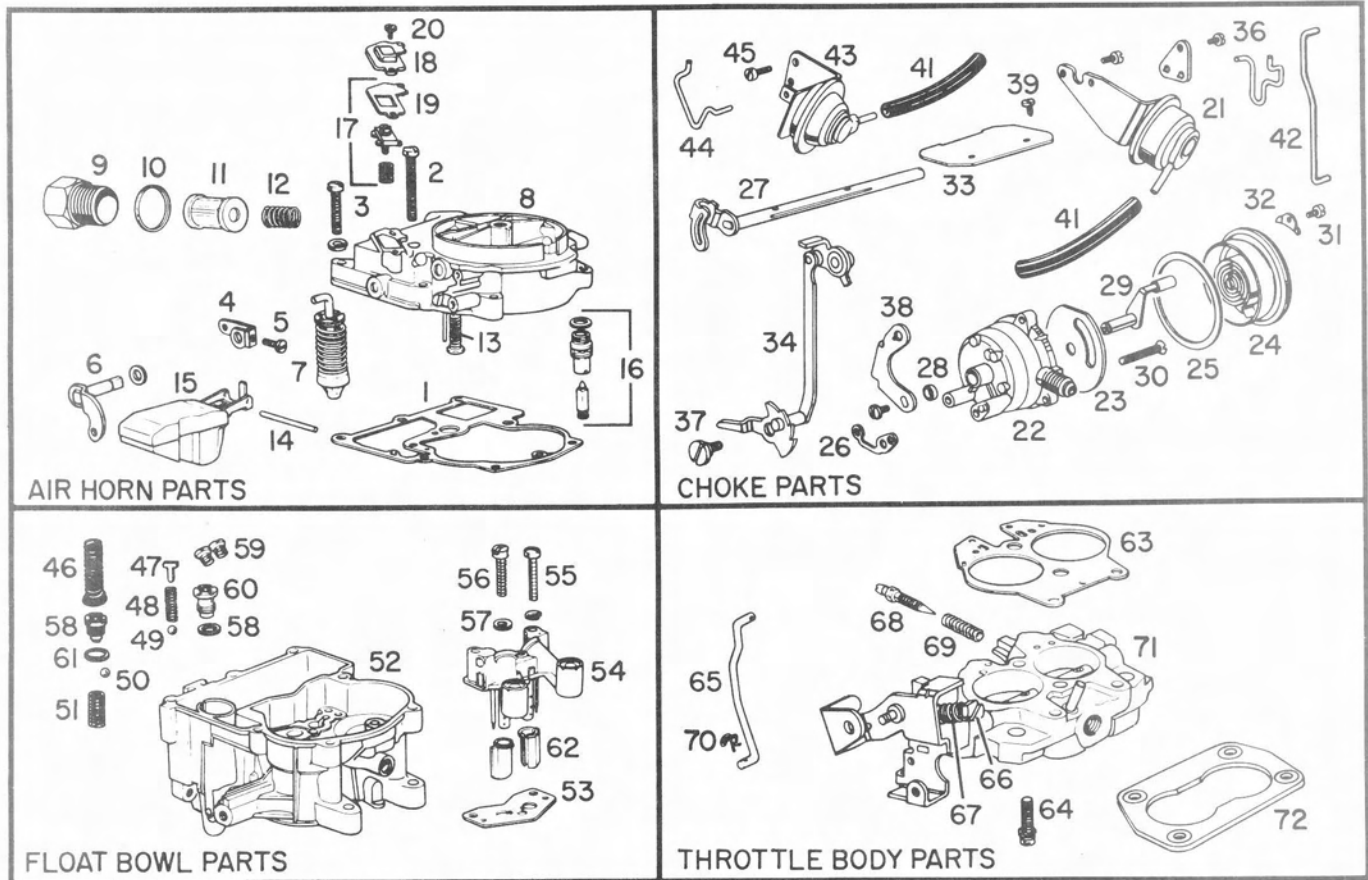
MODEL 2GC CARBURETORS

1976 PONTIAC, LEMANS, GRAND PRIX & FIREBIRD V-8

BULLETIN: 9C-6082
 DATE: NOVEMBER 1976
 PAGE: 1
 REPLACES 9C-6082
 DATED NOVEMBER 1975

350 & 400 CUBIC INCH ENGINES
 AUTOMATIC TRANSMISSION

PARTS SHOWN ARE FOR IDENTIFICATION ONLY. CONSULT PARTS LIST FOR CORRECT PART NAME AND NUMBER



PARTS IN ALL COLUMNS SAME — EXCEPT WHERE INDICATED

	FIREBIRD 350	LEMANS GRAND PRIX 350	EARLY LEMANS - PONTIAC GRAND PRIX 400	PONTIAC SEDAN 350	LATE LEMANS - PONTIAC GRAND PRIX 400	APPLICATION
	17056161	17056162	17056160	17056163	17056164	CARBURETOR No.
	22-6042	22-6050	22-6050	22-6047	22-6048	REPLACEMENT PKG. No.
	17052876	17052876	17052876	17052876	17054953	OVERHAUL KIT
	9294					POWER CARB. KIT
	40-445					GASKET SET

Illus. No.	AIR HORN PARTS					
1	17050409					Gasket—Air Horn
2	7010432					Screw—Air Horn—Long
3	7006119					Screw—Air Horn—Short
4	7032377					Pump Lever—Inside
5	7011270					Screw—Pump Lever
6	7049900					Pump Shaft & Lever Assy.
7	17050232					Pump Assembly
8	17052874	17052874	17052877	17052874	17052877	Air Horn Assembly
9	7040955					Filter Nut—Fuel Inlet
10	7032508					Gasket—Filter Nut
11	GF-470					Filter—Fuel Inlet
12	7034356					Spring—Filter
13	7006323					Power Piston Assy.
14	7002081					Pin—Float Hinge

	17056161	17056162	17056160	17056163	17056164	CARBURETOR No.
Illus. No.	AIR HORN PARTS (Continued)					
15	7037512					Float Assembly
16	30-132					Needle & Seat Assy.
17	17052733					Idle Vent Valve Kit
18	17050272					Cover—Vent Valve
19	17053051					Gasket—Vent Valve
20	7015127					Screw—Cover
	CHOKE PARTS					
21	7043586					Vac. Brk. Cont. & Brkt. Assy.
—	7037570					Screw—Control Attaching
22	7047853					Choke Housing
23	7037239					Baffle Plate
24	7046739					Stat Cover, Coil & Gaskt. Assy.
25	17050961					Gasket—Stat Cover
26	7037796					Gasket—Choke Housing
27	SEE NOTE					Link—Vacuum Break
28	7037569					Dust Seal—Inter. Choke Shaft
29	7037227					Intermediate Choke Shaft Assy.
30	7013704					Screw—Choke Housing
31	7011270					Screw—Stat Cover
32	7000614					Retainer—Stat Cover
33	7033443					Choke Valve
34	17050491	17053956	17050491	17053956	17050491	Choke Lever Link & Cam Assy.
35	SEE NOTE					Choke Lever
36	7019709					Screw—Choke Levers
37	7036222					Screw—Cam Attaching
38	7030990					Intermediate Choke Lever
39	7007627					Screw—Choke Valve
40	SEE NOTE					Choke Shaft Assembly
41	7026339					Hose—Vacuum
42	7043159					Choke Rod
43	7044064					Aux. Vac. Break & Brkt. Assy.
44	7043147					Link—Aux. Vacuum Break
45	7037570					Screw—Control Attaching
	FLOAT BOWL PARTS					
46	17050241					Spring—Pump Return
47	7000286					Guide—Pump Discharge
48	7002118					Spring—Pump Discharge
49	7002117					Ball—Pump Discharge
50	17050240					Ball—Pump Inlet Check
51						Strainer—Pump Inlet
52	17052871	17052871	17053803	17054951	17054949	Float Bowl Assembly
53	KIT ONLY					Gasket—Venturi Cluster
54	17053667	17053667	17053664	17053667	17053664	Venturi Cluster Assembly
55	7045762					Screw—Cluster—Outer
56	7009077					Screw—Cluster—Center
57	KIT ONLY					Gasket—Center Screw
58	17050246					Aux. Power Valve
59	7002649	7002649	7002651	7002649	7002651	Jet—Standard
60	17053646	17053646	17053646	17053646	17053648	Power Valve Assembly
61	KIT ONLY					Gasket—Power Valve
62	7037286					Insert—Main Well
	THROTTLE BODY PARTS					
63	KIT ONLY					Gasket—Throttle Body
64	7015105					Screw—Throttle Body
65	7041345					Pump Rod Kit
66	7029427					Idle Stop Screw
67	7029428					Spring—Idle Stop Screw
68	17050301					Idle Needle
69	7011479					Spring—Idle Needle
70	7018186					Clip—Pump Rod
71	17052872	17052873	17052873	17054950	17054950	Throttle Body Assembly
72	496675					Flange Gasket

NOTE: Replace with 17051941 Choke Shaft, Lever & Link Kit



Delco Carburetor

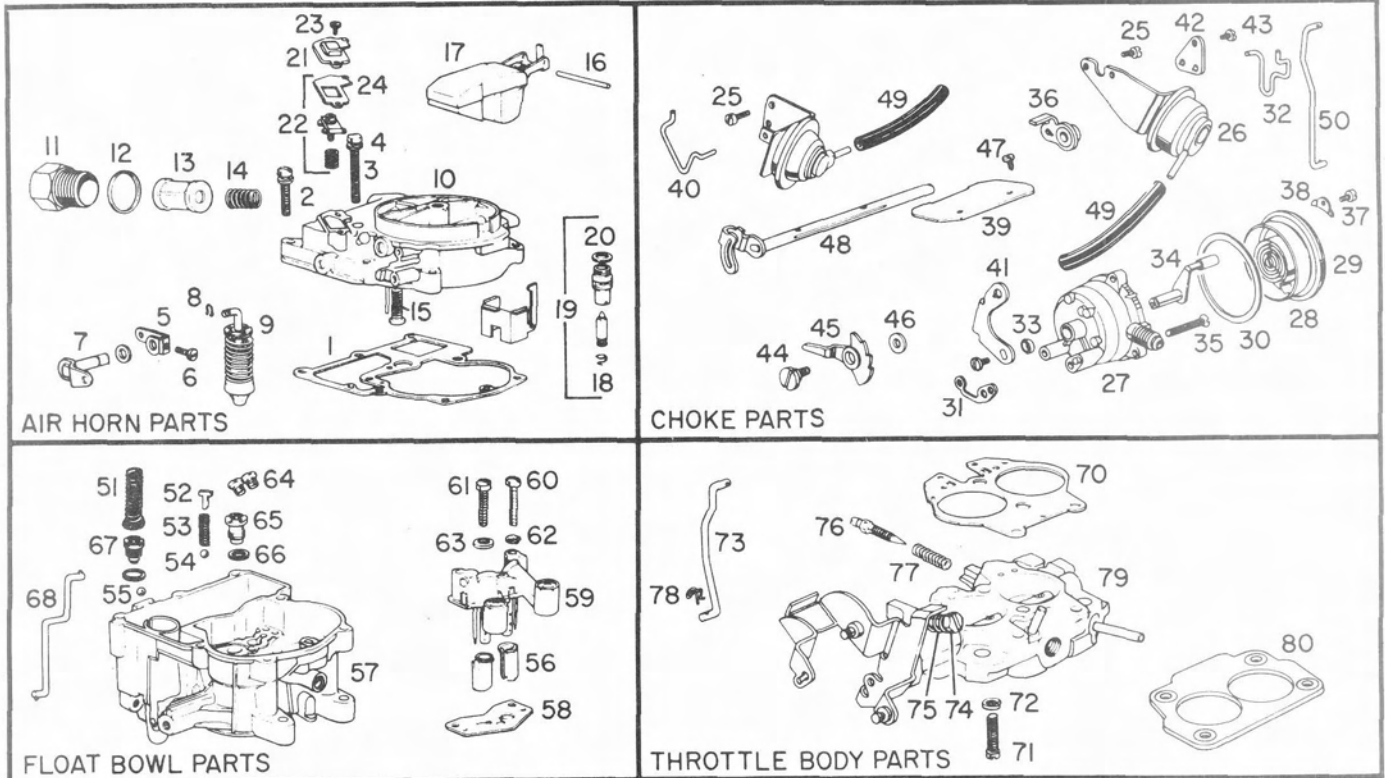
MODEL 2GC CARBURETORS

1976 PONTIAC VENTURA V-8

350 CUBIC INCH ENGINE

BULLETIN: 9C-6083
DATE: NOVEMBER 1976
PAGE: 1
REPLACES: 9C-6083
DATED NOVEMBER 1975

PARTS SHOWN ARE FOR IDENTIFICATION ONLY. CONSULT PARTS LIST FOR CORRECT PART NAME AND NUMBER



PARTS IN ALL COLUMNS SAME – EXCEPT WHERE INDICATED

Illus. No.	EARLY FEDERAL LATE		APPLICATION
	AUTO. TRANS.	AUTO. TRANS.	
	17056143	17056144	CARBURETOR No.
	22-189	22-192	REPLACEMENT PACKAGE No.
	17052830		OVERHAUL KIT
	9286		POWER CARB. KIT
	40-439		GASKET SET
			AIR HORN PARTS
1	17050409		Gasket—Air Horn
2	7010432		Screw—Air Horn—Long
3	7006119		Screw—Air Horn—Short
4	—		Lockwasher—Air Horn Screw
5	7032377		Pump Lever—Inside
6	7011270		Screw—Pump Lever
7	17052510		Pump Shaft & Lever Kit
—	7019568		Washer—Pump Shaft
8	—		Clip—Pump
9	17052368		Pump Assembly
10	17052828	17055166	Air Horn Assembly
11	7040955		Filter Nut—Fuel Inlet
12	7032508		Gasket—Filter Nut
13	GF-470		Filter—Fuel Inlet
14	7034356		Spring—Fuel Inlet Filter
15	7006011		Power Piston Assembly
16	7002081		Pin—Float Hinge
17	7037512		Float Assembly
18	—		Pull Clip—Float Needle
19	30-141		Needle & Seat Assy.
20	KIT ONLY		Gasket—Needle Seat
21	17050272		Cover—Idle Vent
22	17052733	NONE	Idle Vent Valve Kit
23	7015127		Screw—Idle Vent Cover (2)
24	17053051		Gasket—Cover

	17056143	17056144	CARBURETOR No.
	CHOKE PARTS		
Illus. No.			
25	7037570		Screw—Control Attaching
26	7043585		Vacuum Break Control & Bracket Assy.
—	7043626		Aux. Vacuum Break Control Assembly
27	17052406		Choke Housing
28	—		Baffle Plate
29	17052512		Stat Cover, Coil & Gasket Assy.
30	17050961		Gasket—Stat Cover
31	7037796		Gasket—Choke Housing
32	7038874		Link—Vacuum Break
33	7037569		Dust Seal—Inter. Choke Shaft
34	7037227		Intermediate Choke Shaft Assy.
35	7013704		Screw—Choke Housing
36	7030796		Lever—Choke Shaft
37	7011270		Screw—Stat Cover
38	7000614		Retainer—Stat Cover
39	7033443		Choke Valve
40	7043157		Link—Aux. Vac. Break
41	7030990		Intermediate Choke Lever
42	7047882		Choke Lever
43	7019709		Screw—Choke Levers
44	7036222		Screw—Cam Attaching
45	17052310		Cam—Fast Idle
46	—		Washer—Cam
47	7007627		Screw—Choke Valve
48	17050404		Choke Shaft
49	7026339		Hose—Vacuum
50	7043278		Choke Rod
	FLOAT BOWL PARTS		
51	17050241		Spring—Pump Return
52	7000286		Guide—Pump Discharge
53	7002118		Spring—Pump Discharge
54	7002117		Ball—Pump Discharge
55	17050240		Ball—Pump Inlet Check
56	7037286		Insert—Main Well
57	17052513		Float Bowl Assembly
58	KIT ONLY		Gasket—Venturi Cluster
59	17056607		Venturi Cluster Assembly
60	7045762		Screw—Cluster—Outer
61	7009077		Screw—Cluster—Center
62			Lockwasher—Outer Screw
63	KIT ONLY		Gasket—Center Screw
64	7002659		Jet—Standard
65	17053646		Power Valve Assembly
66	KIT ONLY		Gasket—Power Valve
67	17051199		Aux. Power Valve
68	7043001		Aux. Choke Rod
69	—		Solenoid—Idle Stop
	THROTTLE BODY PARTS		
70	KIT ONLY		Gasket—Throttle Body
71	7015105		Screw—Throttle Body
72	—		Lockwasher—Throttle Body
73	7038799		Pump Rod
74	7029427		Idle Speed Screw
75	7029428		Spring—Idle Speed Screw
76	17050301		Idle Needle
77	7011479		Spring—Idle Needle
78	7018186		Clip—Pump Rod
79	17053918		Throttle Body Assembly
80	1248832		Flange Gasket



Delco Carburetor

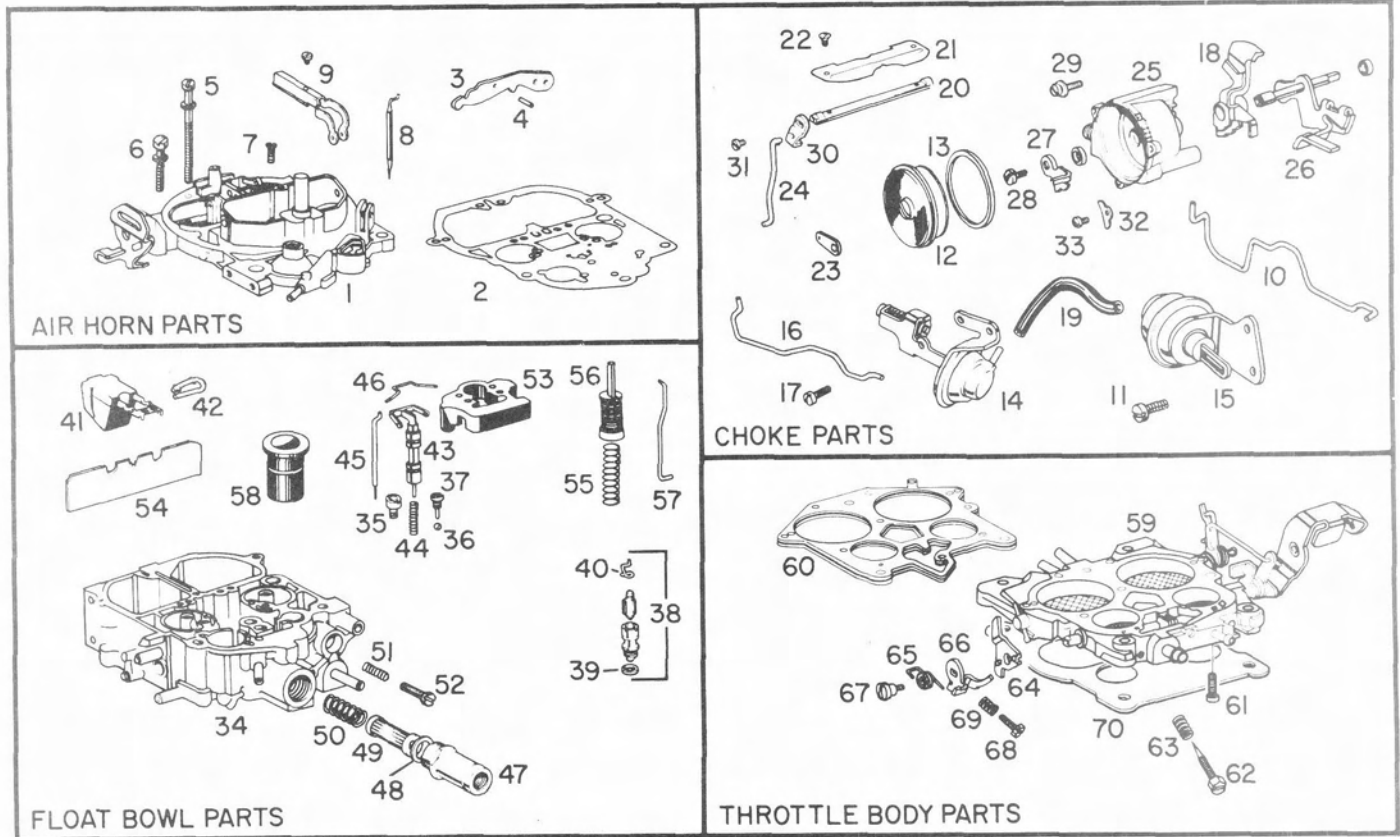
MODEL M4MC QUADRAJET

1976-77 PONTIAC LEMANS, GRAND PRIX & VENTURA V-8

350 CUBIC INCH ENGINE

BULLETIN: 9C-6084
 DATE: NOVEMBER 1976
 PAGE: 1
 REPLACES 9C-6084
 DATED NOVEMBER 1975

PARTS SHOWN ARE FOR IDENTIFICATION ONLY. CONSULT PARTS LIST FOR CORRECT PART NAME AND NUMBER



PARTS IN ALL COLUMNS SAME — EXCEPT WHERE INDICATED

	1976 VENTURA FEDERAL AUTO. TRANS.	1976 VENTURA CALIFORNIA AUTO. TRANS.	1976 LEMANS GRAND PRIX FIREBIRD CALIFORNIA AUTO. TRANS.	1976-77 LEMANS WITHOUT CONVERTOR CANADA ONLY AUTO. TRANS.	1976 LATE LEMANS GRAND PRIX FIREBIRD FEDERAL AUTO. TRANS.	APPLICATION	
	17056246	17056546	17056568	17056281	17056266	CARBURETOR No.	
	24-197	24-199	24-6046	24-3111	24-6049	REPLACEMENT PACKAGE No.	
	17053982	17052844	17052883	17054217	17054955	OVERHAUL KIT	
	9288	9288	9295	9312	9295	POWER CARBURETOR KIT	
	40-440	40-440	40-446	40-449	40-446	GASKET SET	
AIR HORN PARTS							
Illus. No.	1	17053911	17053912	17052881	17052990	17052881	Air Horn Assembly
	2	17051797					Gasket—Air Horn
	3	7048169					Lever—Pump Actuating
	4	9428787					Roll Pin—Pump & Lkt. Lvr. Hng.
	5	7029912					Screw—Air Horn
	6	7014699					Screw—Air Horn
	7	7031105					Screw—Air Horn
	8	7045986	7045986	7047806	7045779	7047806	Metering Rod—Secondary
	9	7034522					Sec. Metering Rod Holder Kit
	—	7035344					Air Valve Spring & Cam Kit
CHOKE PARTS							
	10	17050738	17050738	7043393	NONE	7043393	Link—Aux. Vac. Brk.
	11	7043682	7043682	7043682	NONE	7043682	Screw—Aux. Vac. Brk. Mounting

CO, WD, 131, 132:16, 9X, 9FR, 9FD

PRINTED IN U.S.A.
 © 1976 GENERAL MOTORS CORP.

	17056246	17056546	17056568	17056281	17056266	CARBURETOR No.
Illus. No.	CHOKE PARTS (Continued)					
12	17051964	17051964	17051956	17051918	17051956	Stat Cover, Coil & Gasket Assy.
13	17050961					Gasket—Stat Cover
14	17051261	17051261	17053740	17050759	17054572	Vac. Brk. Control & Brkt. Assy.
15	17050742	17050742	7043497	NONE	7043497	Aux. Vac. Brk. Cont. & Brkt. Assy.
16	7041527					Rod—Vacuum
17	17050732					Screw—Control Attaching
18	17052371	17052371	7041575	17051176	7041484	Cam—Fast Idle
19	7026339					Hose—Vacuum
20	7038259					Choke Shaft
21	7048904	7048904	7041558	7048904	7041558	Choke Valve
22	7029866					Screw—Choke Valve
23	7031231					Lever—Intermediate Choke
24	7041472					Rod—Choke
25	17051970	17051970	17051996	17051917	17051996	Choke Housing Kit
26	17050754					Inter. Choke Shaft & Lever Assy.
—	7037569					Seal—Inter. Choke Shaft
—	7043367					Seal—Choke Hsg. to Bowl
27	7043368					Lever—Stat Coil
28	7019709					Screw—Coil Lever
29	7038808					Screw—Choke Hsg. to Bowl
30	7041542					Lever—Choke
31	7029866					Screw—Choke Lever
32	7000614					Retainer—Stat Cover
33	7011270					Screw—Stat Cover
	FLOAT BOWL PARTS					
34	17052841	17052842	17052886	17052989	17052886	Float Bowl Assembly
35	7031972	7031972	7031971	7031977	7031971	Jet—Primary
36	7002117					Ball—Pump Discharge
37	7029849					Retainer—Pump Discharge Ball
38	30-150	30-150	30-148	30-151	30-148	Needle & Seat Assy.
39	KIT ONLY					Gasket—Needle Seat
40	7033751					Pull Clip—Float Needle
41	7046300	7046300	7043379	7041468	7043379	Float Assembly
42	7041469					Hinge Pin—Float Assembly
43	17051792					Power Piston Assembly Primary
44	7041477	7041477	7029529	17052057	7044068	Spring—Power Piston Primary
45	17051348	7043549	17051341	17051348	17053343	Metering Rod—Primary
46	7041459					Spring—Metering Rod—Primary
47	7044951	7044951	7044951	17051254	7044951	Filter Nut—Fuel Inlet
48	7024281					Gasket—Filter Nut
49	GF-471					Filter—Fuel Inlet
50	7034442	7034442	7034442	7043568	7034442	Spring Fuel Filter
51	7003176					Spring—Idle Stop Screw
52	7002121					Screw—Idle Stop
53	7041471					Insert—Float Bowl
54	7031365					Baffle—Float Bowl
55	7042979					Spring—Pump Return
56	17051117	17051117	7048871	17051374	7048871	Pump Assembly
57	7026138					Rod Pump
58	17051796					Insert—Aneroid Cavity
	THROTTLE BODY PARTS					
59	17054249	17054249	17053589	17051921	17053589	Throttle Body Assembly
60	KIT ONLY					Gasket—Throttle Body
61	7035790					Screw—Throttle Body
62	7048532	7048532	7048532	7048531	7048532	Idle Needle
63	7011479					Spring—Idle Needle
64	7041497					Lever—Cam Follower
65	17051494					Spring—Cam Lever
66	7041498					Fast Idle Lever
67	7036079					Screw—Fast Idle Lever Attaching
68	7044794					Screw—Fast Idle Adjusting
69	7029900					Spring—Fast Idle Screw
70	1248516	1248516	498796	372506	498796	Gasket—Flange



Delco Carburetor

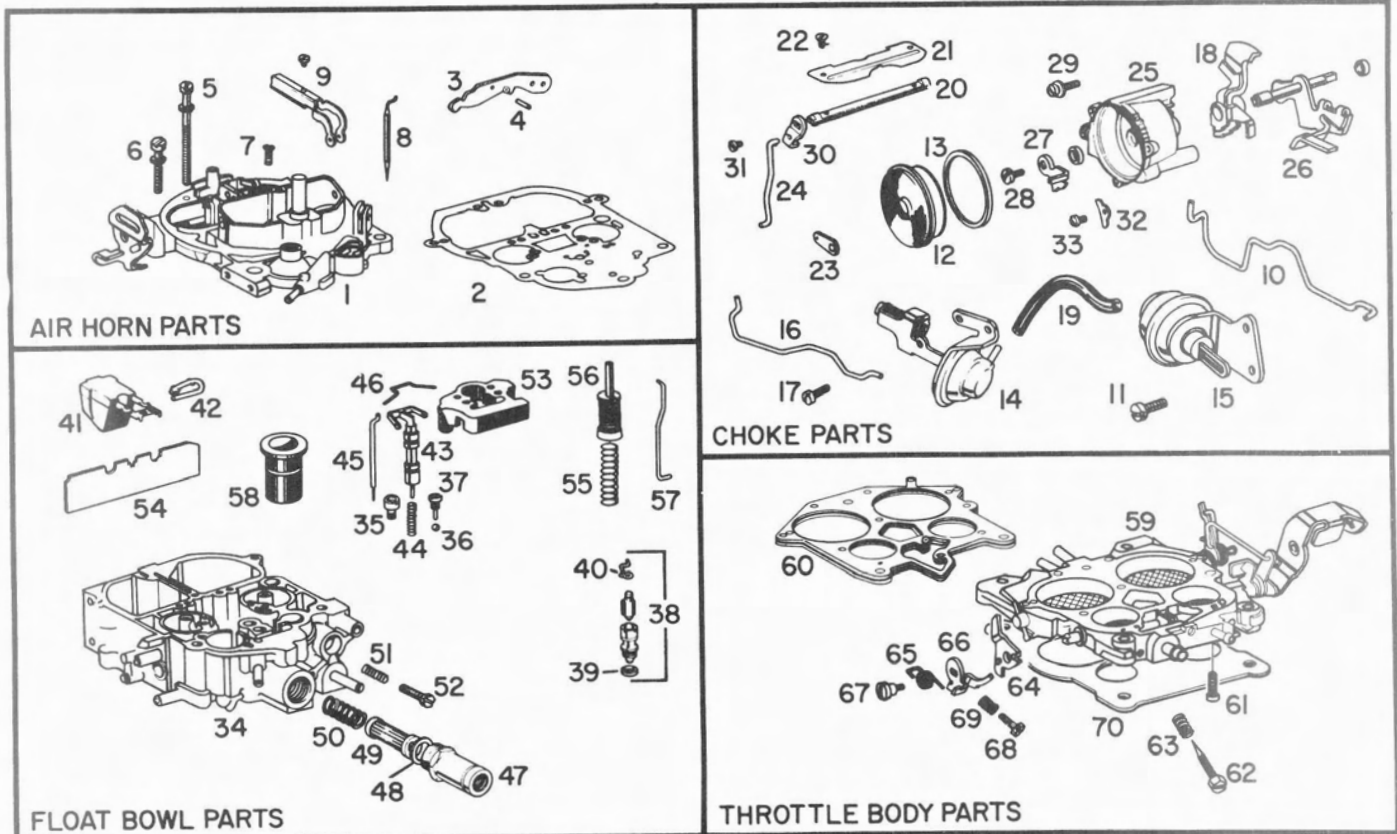
MODEL M4MC QUADRAJET

1976 PONTIAC, GRAND PRIX, FIREBIRD & LEMANS V-8

400 CUBIC INCH ENGINE

BULLETIN: 9C-6085
DATE: NOVEMBER 1975
PAGE: 1

PARTS SHOWN ARE FOR IDENTIFICATION ONLY. CONSULT PARTS LIST FOR CORRECT PART NAME AND NUMBER



AIR HORN PARTS

CHOKE PARTS

FLOAT BOWL PARTS

THROTTLE BODY PARTS

PARTS IN ALL COLUMNS SAME — EXCEPT WHERE INDICATED

	FIREBIRD	PONTIAC, GRAND PRIX, LEMANS	FIREBIRD	PONTIAC, FIREBIRD, LEMANS GRAND PRIX	APPLICATION
	MAN. TRANS. FEDERAL	AUTO. TRANS. FEDERAL	AUTO. TRANS. FEDERAL	AUTO. TRANS. CALIFORNIA	CARBURETOR No.
	17056263	17056264	17056274	17056564	REPLACEMENT PACKAGE No.
	24-6039	24-6041	24-6040	24-6042	OVERHAUL KIT
	17052883	17052884	17052884	17052884	POWER CARBURETOR KIT
	9295				GASKET SET
	40-446				
AIR HORN PARTS					
Illus. No.	17052880	17052881	17052881	17052881	Air Horn Assembly
1	17051797				Gasket—Air Horn
2	7048169				Lever—Pump Actuating
3	9428787				Roll Pin—Pump & Lockout Lever Hinge
4	7029912				Screw—Air Horn
5	7014699				Screw—Air Horn
6	7031105				Screw—Air Horn
7	7047806				Metering Rod—Secondary
8	7034522				Sec. Metering Rod Holder Kit
9	7035344				Air Valve Spring & Cam Kit
—					
CHOKE PARTS					
10	7043393				Link—Aux. Vac. Break
11	7043682				Screw—Aux. Vac. Break Mounting

	17056263	17056264	17056274	17056564	CARBURETOR No.
Illus. No.	CHOKE PARTS (Continued)				
12	17051956				Stat Cover, Coil & Gasket Assy.
13	17050961				Gasket—Stat Cover
14	17053740				Vacuum Break Control & Brkt. Assy.
15	7043497				Aux. Vac. Brk. Control & Brkt. Assy.
16	7041527				Rod—Vacuum
17	17050732				Screw—Control Attaching
18	7041575				Cam—Fast Idle
19	7026339				Hose—Vacuum
20	7038259				Choke Shaft
21	7041558				Choke Valve
22	7029866				Screw—Choke Valve
23	7031231				Lever—Intermediate Choke
24	7041472				Rod—Choke
25	17051996				Choke Housing Kit
26	17050754				Inter. Choke Shaft & Lever Assy.
—	7037569				Seal—Inter. Choke Shaft
—	7043367				Seal—Choke Hsg. to Bowl
27	7043368				Lever—Stat Coil
28	7019709				Screw—Coil Lever
29	7038808				Screw—Choke Hsg. to Bowl
30	7041542				Lever—Choke
31	7029866				Screw—Choke Lever
32	7000614				Retainer—Stat Cover
33	7011270				Screw—Stat Cover
	FLOAT BOWL PARTS				
34	17052878	17052879	17052879	17052886	Float Bowl Assembly
35	7031970	7031972	7031972	7031971	Jet—Primary
36	7002117				Ball—Pump Discharge
37	7029849				Retainer—Pump Discharge Ball
38	30-148				Needle & Seat Assy.
39	KIT ONLY				Gasket—Needle Seat
40	7033751				Pull Clip—Float Needle
41	7043379				Float Assembly
42	7041469				Hinge Pin—Float Assembly
43	17051792				Power Piston Assembly Primary
44	7029529				Spring—Power Piston Primary
45	17051342	17051346	17051346	17051343	Metering Rod—Primary
46	7041459				Spring—Metering Rod—Primary
47	7044951				Filter Nut—Fuel Inlet
48	7024281				Gasket—Filter Nut
49	GF-471				Filter—Fuel Inlet
50	7034442				Spring Fuel Filter
51	7003176				Spring—Idle Stop Screw
52	7002121				Screw—Idle Stop
53	7041471				Insert—Float Bowl
54	7031365				Baffle—Float Bowl
55	7042979				Spring—Pump Return
56	7048871				Pump Assembly
57	7026138				Rod Pump
58	17051796				Insert—Aneroid & Cavity
	THROTTLE BODY PARTS				
59	17053708	17053587	17053588	17053589	Throttle Body Assembly
60	KIT ONLY				Gasket—Throttle Body
61	7035790				Screw—Throttle Body
62	7048532				Idle Needle
63	7011479				Spring—Idle Needle
64	7041497				Lever—Cam Follower
65	17051494				Spring—Cam Lever
66	7041498				Fast Idle Lever
67	7036079				Screw—Fast Idle Lever Attaching
68	7044794				Screw—Fast Idle Adjusting
69	7029900				Spring—Fast Idle Screw
70	498796				Gasket—Flange



Delco Carburetor

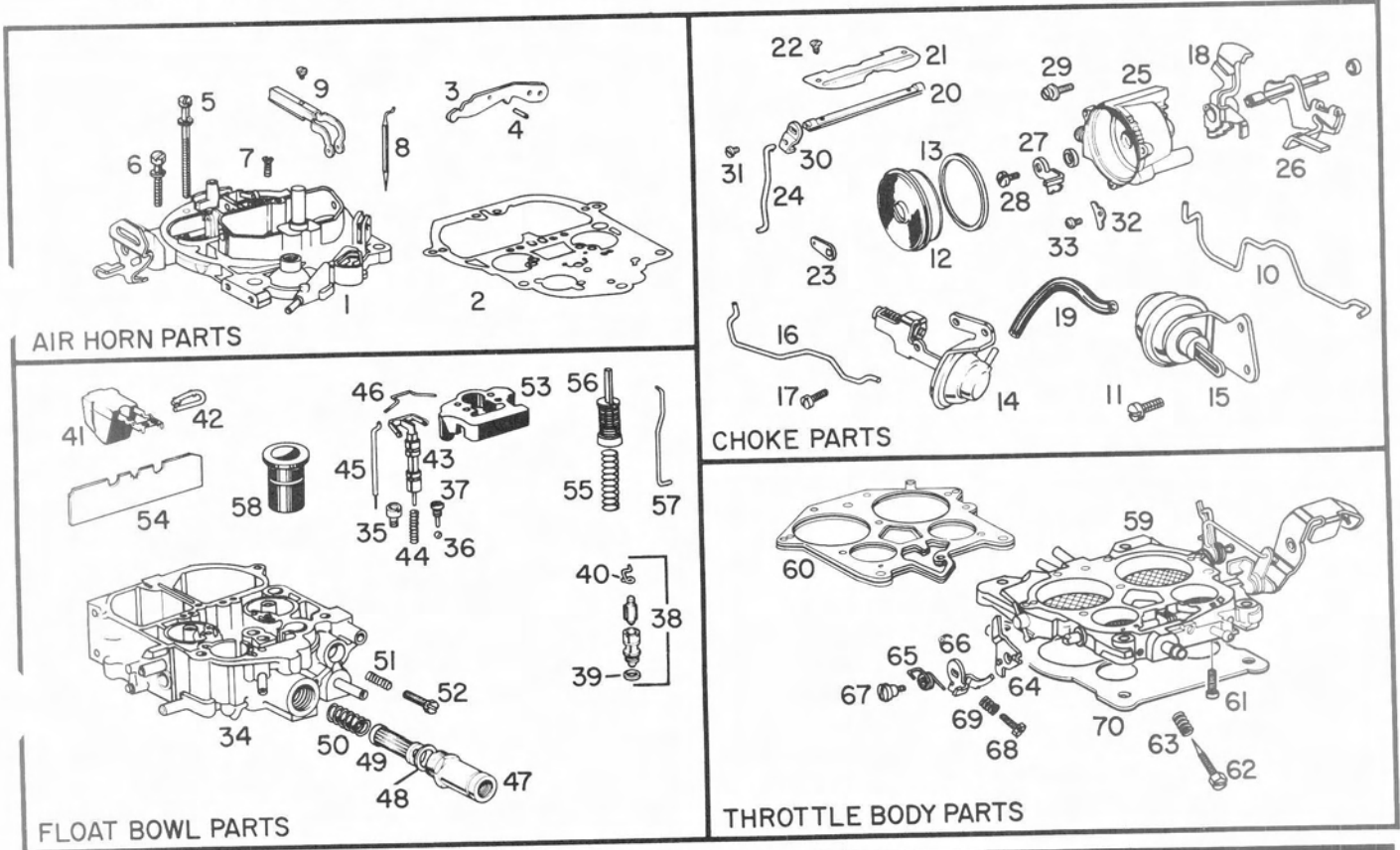
MODEL M4MC QUADRAJET

1976 PONTIAC, GRAND PRIX & LEMANS V-8

455 CUBIC INCH ENGINE

BULLETIN: 9C-6086
DATE: NOVEMBER, 1975
PAGE: 1

PARTS SHOWN ARE FOR IDENTIFICATION ONLY. CONSULT PARTS LIST FOR CORRECT PART NAME AND NUMBER



PARTS IN ALL COLUMNS SAME — EXCEPT WHERE INDICATED

	LEMANS GRAND PRIX & PONTIAC	PONTIAC WAGON	LEMANS GRAND PRIX & PONTIAC SEDAN	APPLICATION
	AUTO. TRANS. FEDERAL	AUTO. TRANS. CALIF.	CALIF.	CARBURETOR No.
	17056262	17056562	17056566	REPLACEMENT PACKAGE No.
	24-6043	24-6044	24-6045	OVERHAUL KIT
	17052888	17052883	17052883	POWER CARBURETOR KIT
	9295			GASKET SET
	40-446			
AIR HORN PARTS				
Illus. No.				
1	17052881			Air Horn Assembly
2	17051797			Gasket—Air Horn
3	7048169			Lever—Pump Actuating
4	9428787			Roll Pin—Pump & Lockout Lever Hinge
5	7029912			Screw—Air Horn
6	7014699			Screw—Air Horn
7	7031105			Screw—Air Horn
8	7047806			Metering Rod—Secondary
9	7034522			Sec. Metering Rod Holder Kit
—	7035344			Air Valve Spring & Cam Kit
CHOKE PARTS				
10	7043393			Link—Aux. Vac. Brk.
11	7043682			Screw—Aux. Vac. Brk. Mounting

	17056262	17056562	17056566	CARBURETOR No.
Illus. No.	CHOKE PARTS (Continued)			
12	17051956			Stat Cover, Coil & Gasket Assy.
13	17050961			Gasket—Stat Cover
14	17053740			Vacuum Break Control & Brkt. Assy.
15	7043497			Aux. Vac. Break Control & Brkt. Assy.
16	7041527			Rod—Vacuum
17	17050732			Screw—Control Attaching
18	7041575			Cam—Fast Idle
19	7026339			Hose—Vacuum
20	7038259			Choke Shaft
21	7041558			Choke Valve
22	7029866			Screw—Choke Valve
23	7031231			Lever—Intermediate Choke
24	7041472			Rod—Choke
25	17051996			Choke Housing Kit
26	17050754			Inter. Choke Shaft & Lever Assy.
—	7037569			Seal—Inter. Choke Shaft
—	7043367			Seal—Choke Hsg. to Bowl
27	7043368			Lever—Stat Coil
28	7019709			Screw—Coil Lever
29	7038808			Screw—Choke Hsg. to Bowl
30	7041542			Lever—Choke
31	7029866			Screw—Choke Lever
32	7000614			Retainer—Stat Cover
33	7011270			Screw—Stat Cover
FLOAT BOWL PARTS				
34	17052886	17052886	17052887	Float Bowl Assembly
35	7031972	7031969	7031969	Jet—Primary
36	7002117			Ball—Pump Discharge
37	7029849			Retainer—Pump Discharge Ball
38	30-148			Needle & Seat Assy.
39	KIT ONLY			Gasket—Needle Seat
40	7033751			Pull Clip—Float Needle
41	7043379			Float Assembly
42	7041469			Hinge Pin—Float Assembly
43	17051792			Power Piston Assembly Primary
44	7044068	7029529	7029529	Spring—Power Piston Primary
45	17053346	17051343	17051339	Metering Rod—Primary
46	7041459			Spring—Metering Rod—Primary
47	7044951			Filter Nut—Fuel Inlet
48	7024281			Gasket—Filter Nut
49	GF-471			Filter—Fuel Inlet
50	7034442			Spring Fuel Filter
51	7003176			Spring—Idle Stop Screw
52	7002121			Screw—Idle Stop
53	7041471			Insert—Float Bowl
54	7031365			Baffle—Float Bowl
55	7042979			Spring—Pump Return
56	7048871			Pump Assembly
57	7026138			Rod Pump
58	17051796			Insert—Aneroid Cavity
THROTTLE BODY PARTS				
59	17053723	17053712	17053592	Throttle Body Assembly
60	KIT ONLY			Gasket—Throttle Body
61	7035790			Screw—Throttle Body
62	7048532			Idle Needle
63	7011479			Spring—Idle Needle
64	7041497			Lever—Cam Follower
65	17051494			Spring—Cam Lever
66	7041498			Fast Idle Lever
67	7036079			Screw—Fast Idle Lever Attaching
68	7044794			Screw—Fast Idle Adjusting
69	7029900			Spring—Fast Idle Screw
70	498796			Gasket—Flange



Delco Carburetor

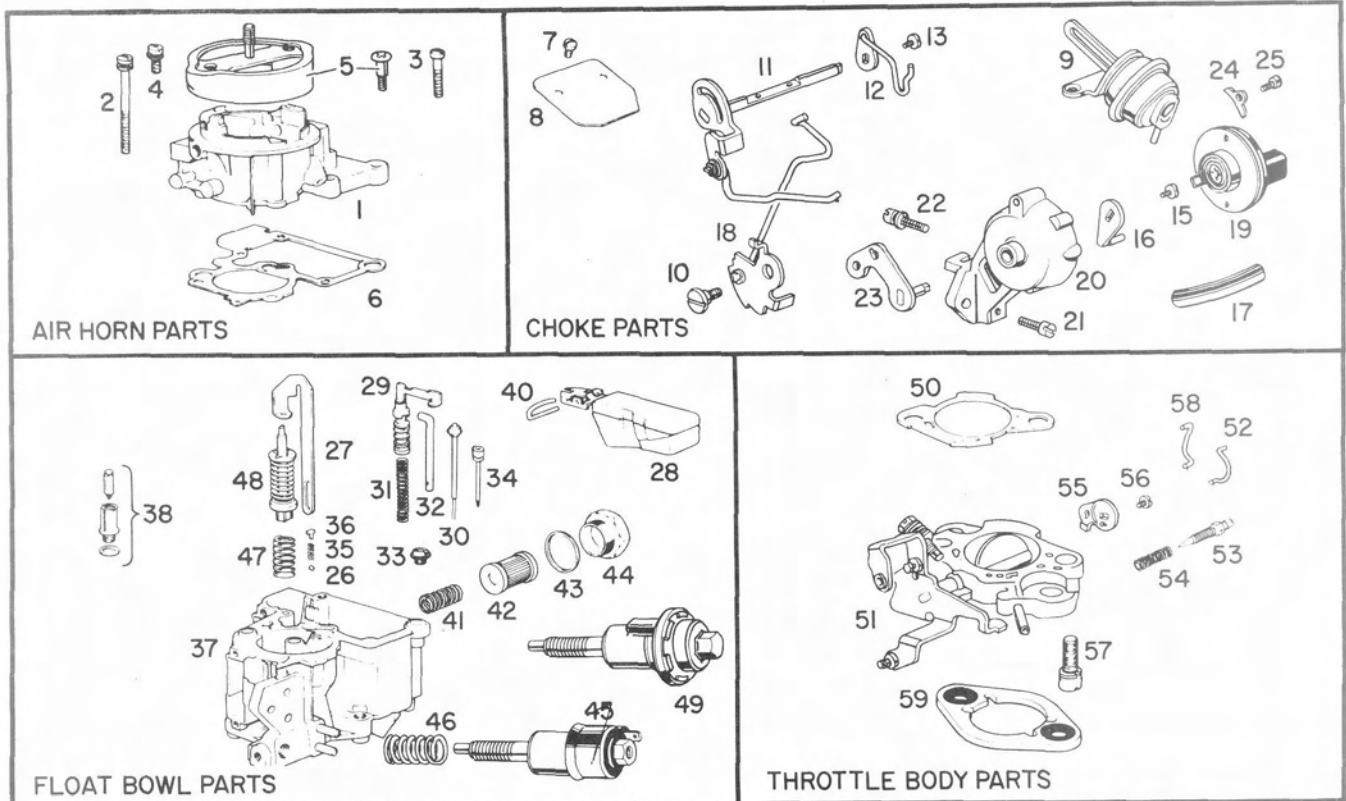
MODEL 1ME MONOJET

1977 PONTIAC ACADIAN (CANADA ONLY)

85 & 97.6 CUBIC INCH "4"

BULLETIN: 9C-6087
 DATE: NOVEMBER 1976
 PAGE: 1

PARTS SHOWN ARE FOR IDENTIFICATION ONLY. CONSULT PARTS LIST FOR CORRECT PART NAME AND NUMBER



PARTS IN ALL COLUMNS SAME — EXCEPT WHERE INDICATED

	85 CU. IN. AUTO. TRANS.	85 CU. IN. MAN. TRANS.	97.6 CU. IN. AUTO. TRANS.	97.6 CU. IN. MAN. TRANS.	APPLICATION
	17057030	17057031	17057034	17057035	CARBURETOR No. (Non Air Cond.)
	—	17057031	17057032	17057035	CARBURETOR No. (Air Cond.)
	21-3118	21-3119	21-3120	21-3121	REPLACEMENT PACKAGE No.
	17055243	17055243	17055250	17055250	OVERHAUL KIT
	9322				POWER CARBURETOR KIT
	40-457				GASKET SET

AIR HORN PARTS					
Illus. No.	85 CU. IN. AUTO. TRANS.	85 CU. IN. MAN. TRANS.	97.6 CU. IN. AUTO. TRANS.	97.6 CU. IN. MAN. TRANS.	DESCRIPTION
1	17057796	17057796	17057797	17057797	Air Horn Assembly
2	7043089				Screw—Air Horn (Long) (3)
3	7030917				Screw—Air Horn (Short) (2)
4	7043088				Screw—Air Horn (1)
5	17053835				Air Cleaner Adapter & Screw
6	7037591				Gasket—Air Horn
CHOKE PARTS					
7	7020926				Screw—Choke Valve (2)
8	7049918				Choke Valve
9	7045561				Vacuum Brk. Control Assy. Bowl Side
10	7003561				Screw—Cam Attaching
11	7044437				Choke Shaft Lever & Link Assembly
12	7044447				Vac. Brk. Lever & Link Assy.
13	7019709				Screw—Vac. Brk. Lever Attaching
14	—				
15	7019709				Screw—Stat Lever Attaching
16	7044088				Lever—Stat Coil
17	7026339				Hose—Vacuum Break
18	17054834				Cam & Link Assy.

	17057030	17057031	17057034	17057035	CARBURETOR No. (Non Air Cond.)
	-	17057031	17057032	17057035	CARBURETOR No. (Air Cond.)
CHOKE PARTS (Continued)					
Illus. No.					
19	17056750				Electric Stat Cover & Coil Assy.
20	7044199				Choke Housing & Bearing Assy.
21	17051625				Screw—Choke Housing To Bowl (1)
22	17051626				Screw—Choke Housing To Bowl (2)
23	17051637				Choke Coil Lever & Shaft Assy.
24	7000614				Retainer—Choke Cover (3)
25	7011270				Screw—Choke Cover (3)
FLOAT BOWL PARTS					
26	7002117				Ball—Pump Discharge
27	7042670				Lever—Pump Actuating
28	17051624				Float Assembly
29	17051619				Power Piston Assembly
30	17053554	17053554	17051621	17051621	Metering Rod & Spring Assembly
31	7044003				Spring—Power Piston
32	7044005				Rod—Power Piston
33	17053786	17053786	17053547	17053547	Jet—Main Metering
34	17053627				Idle Tube Assembly
35	7002118				Spring—Pump Discharge
36	7003838				Guide—Pump Discharge
37	17055248				Float Bowl Assembly
38	30-153				Needle & Seat Assembly
39	KIT ONLY				Gasket—Needle Seat
40	7034032				Hinge Pin—Float
41	7032732				Spring—Fuel Filter
42	GF-470				Filter—Fuel Inlet
43	7032508				Gasket—Filter Nut
44	7038946				Filter Nut—Fuel Inlet
45	7040219				Solenoid—Idle Stop
46	7040519				Spring—Solenoid Locking
47	7004597				Spring—Pump Return
48	7048801				Pump Assembly
THROTTLE BODY PARTS					
50	KIT ONLY				Gasket—Throttle Body
51	17056693	17056694	17056693	17056694	Throttle Body Assembly
52	7024214				Link—Power Rod
53	17056602				Idle Needle
54	7038989				Spring—Idle Needle
55	17051665				Lever—Pump & Power Rod
56	7010435				Screw—Lever Attaching
57	7043087				Screw—Throttle Body (2)
58	7035267				Link—Pump Lever
59	460187				Gasket—Flange

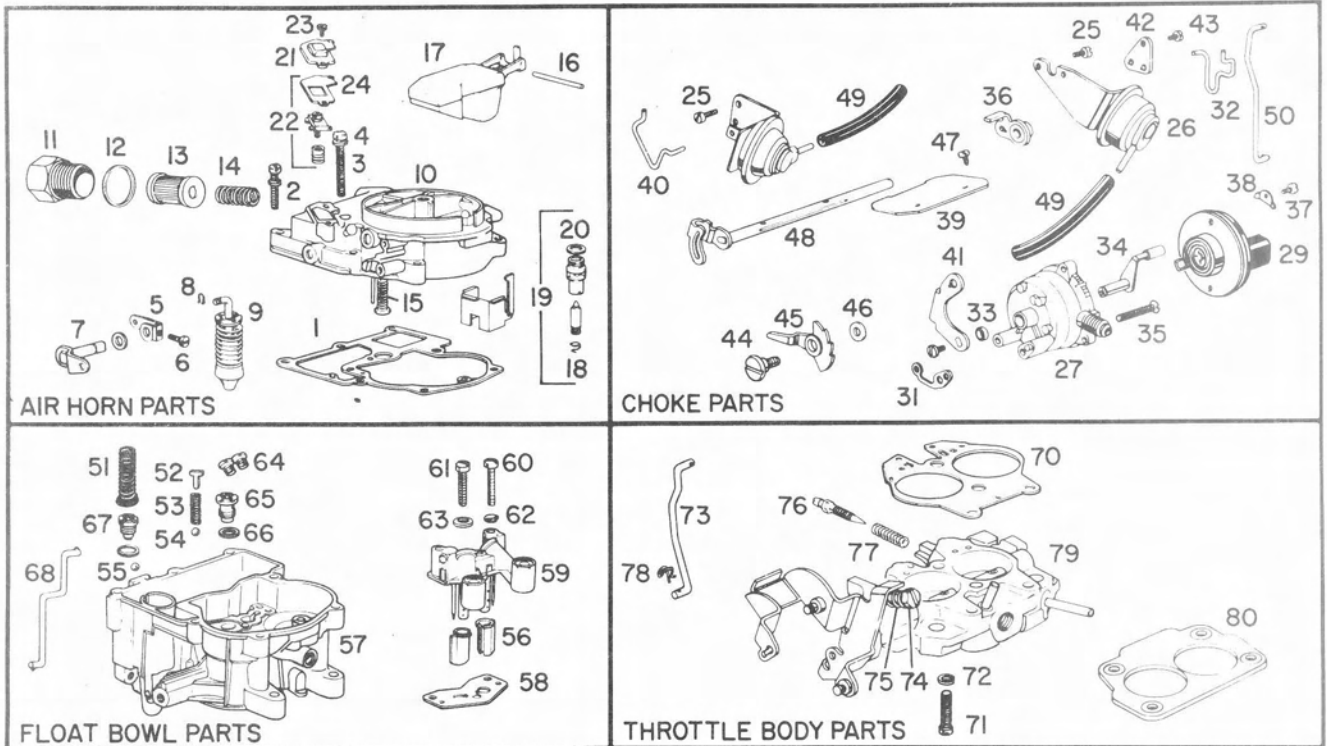


Delco Carburetor

BULLETIN: 9C-6088
 DATE: NOVEMBER 1976
 PAGE: 1

MODEL 2GE CARBURETORS
 1977 PONTIAC, LEMANS, FIREBIRD, VENTURA & SUNBIRD
 231 CUBIC INCH ENGINE V-6

PARTS SHOWN ARE FOR IDENTIFICATION ONLY. CONSULT PARTS LIST FOR CORRECT PART NAME AND NUMBER



PARTS IN ALL COLUMNS SAME — EXCEPT WHERE INDICATED

	ALTITUDE B-SED, F, X NON A/C A-SED HSP A/C NON A/C AUTO. TRANS.	ALTITUDE B-SED, F, X AIR COND. AUTO. TRANS.	FEDERAL A-SED, F, X HSP A/C NON A/C MAN. TRANS.	FEDERAL B-SED, F, X AIR COND. AUTO. TRANS.	APPLICATION
	17057143	17057144	17057145	17057146	CARBURETOR No.
	22-195	22-196	22-197	22-193	REPLACEMENT PACKAGE No.
	17055192	17055192	17055370	17055371	OVERHAUL KIT
	9330				POWER CARB. KIT (NEO-tiP)
	40-439				GASKET SET

Illus. No.	AIR HORN PARTS				
1	17050409				Gasket—Air Horn
2	7010432				Screw—Air Horn—Long
3	7006119				Screw—Air Horn—Short
4	—				Lockwasher—Air Horn Screw
5	7032377				Pump Lever—Inside
6	7011270				Screw—Pump Lever
7	17052510	17052510	17053815	17052510	Pump Shaft & Lever Kit
—	7019568				Washer—Pump Shaft
8	—				Clip—Pump
9	17057911				Pump Assembly
10	17053987	17053987	17053987	17055090	Air Horn Assembly
11	17051765				Filter Nut—Fuel Inlet
12	7032508				Gasket—Filter Nut
13	GF-470				Filter—Fuel Inlet
14	7032732				Spring—Fuel Inlet Filter
15	7006323	7006323	7006011	7009054	Power Piston Assembly
16	7002081				Pin—Float Hinge
17	7037512				Float Assembly

	17057143	17057144	17057145	17057146	CARBURETOR No.
Illus. No.	AIR HORN PARTS (Continued)				
18	—				Pull Clip—Float Needle
19	30-152				Needle & Seat Assy. (Neo-tiP)
20	KIT ONLY				Gasket—Needle Seat
21	17050272				Cover—Idle Vent
22	—				Idle Vent Valve Kit
23	7015127				Screw—Idle Vent Valve Cover (2)
24	17053051				Gasket—Idle Vent
CHOKE PARTS					
25	7037570				Screw—Control Attaching
26	7043585				Vac. Brk. Cont. & Brket. Assy. Thr. Side
—	7049893				Aux. Vac. Brk. Cont. Assy. Choke Side
27	17054720				Choke Housing
28	—				Baffle Plate
29	17054594				Electric Stat Cover & Coil Assy.
30	—				Gasket—Stat Cover
31	7037796				Gasket—Choke Housing
32	7038874				Link—Vacuum Break
33	—				Dust Seal—Inter. Choke Shaft
34	7037227				Intermediate Choke Shaft Assy.
35	7013704				Screw—Choke Housing
36	7030796				Lever—Choke Shaft
37	7011270				Screw—Stat Cover
38	7000614				Retainer—Stat Cover
39	7033443				Choke Valve
40	7043157				Link—Aux. Vac. Break
41	7030990				Intermediate Choke Lever
42	7047882				Choke Lever
43	7019709				Screw—Choke Levers
44	7036222				Screw—Cam Attaching
45	17053760	17053760	17051250	17053760	Cam—Fast Idle
46	—				Washer—Cam
47	7007627				Screw—Choke Valve
48	17050404				Choke Shaft
49	7026339				Hose—Vacuum
50	7043278				Choke Rod Intermediate
FLOAT BOWL PARTS					
51	17050241				Spring—Pump Return
52	7000286				Guide—Pump Discharge
53	7002118				Spring—Pump Discharge
54	7002117				Ball—Pump Discharge
55	17050240				Ball—Pump Inlet Check
56	7037286				Insert—Main Well
57	17053908	17053908	17055465	17055376	Float Bowl Assembly
58	KIT ONLY				Gasket—Venturi Cluster
59	17057922	17057922	17057617	17057933	Venturi Cluster Assembly
60	7045762				Screw—Cluster—Outer
61	7009077				Screw—Cluster—Center
62	—				Lockwasher—Outer Screw
63	KIT ONLY				Gasket—Center Screw
64	7002653	7002653	7002654	7002653	Jet—Stand
65	17053646	17053646	17053647	17053647	Power Valve Assembly (Vacuum)
66	KIT ONLY				Gasket—Power Valve
67	17051201	17051201	17050246	17051201	Aux. Power Valve (Mechanical)
68	7043001				Aux. Choke Rod
69	NONE	17052388	17052388	17052388	Solenoid—Idle Stop
—	NONE	7043682	7043682	7043682	Screw—Solenoid Bracket
—	NONE	7042654	7042654	7042654	Nut—Solenoid Retaining
—	NONE	7042653	7042653	7042653	Washer—Tab Locking
—	NONE	17050425	17050425	17050425	Bracket & Washer Assy. Solenoid
THROTTLE BODY PARTS					
70	KIT ONLY				Gasket—Throttle Body
71	7015105				Screw—Throttle Body
72	—				Lockwasher—Throttle Body
73	7038799				Pump Rod
74	7029427				Idle Speed Screw
75	7029428				Spring—Idle Speed Screw
76	17050301				Idle Needle
77	7011479				Spring—Idle Needle
78	7018186				Clip—Pump Rod
79	17055168				Throttle Body Assembly
80	1248832				Flange Gasket

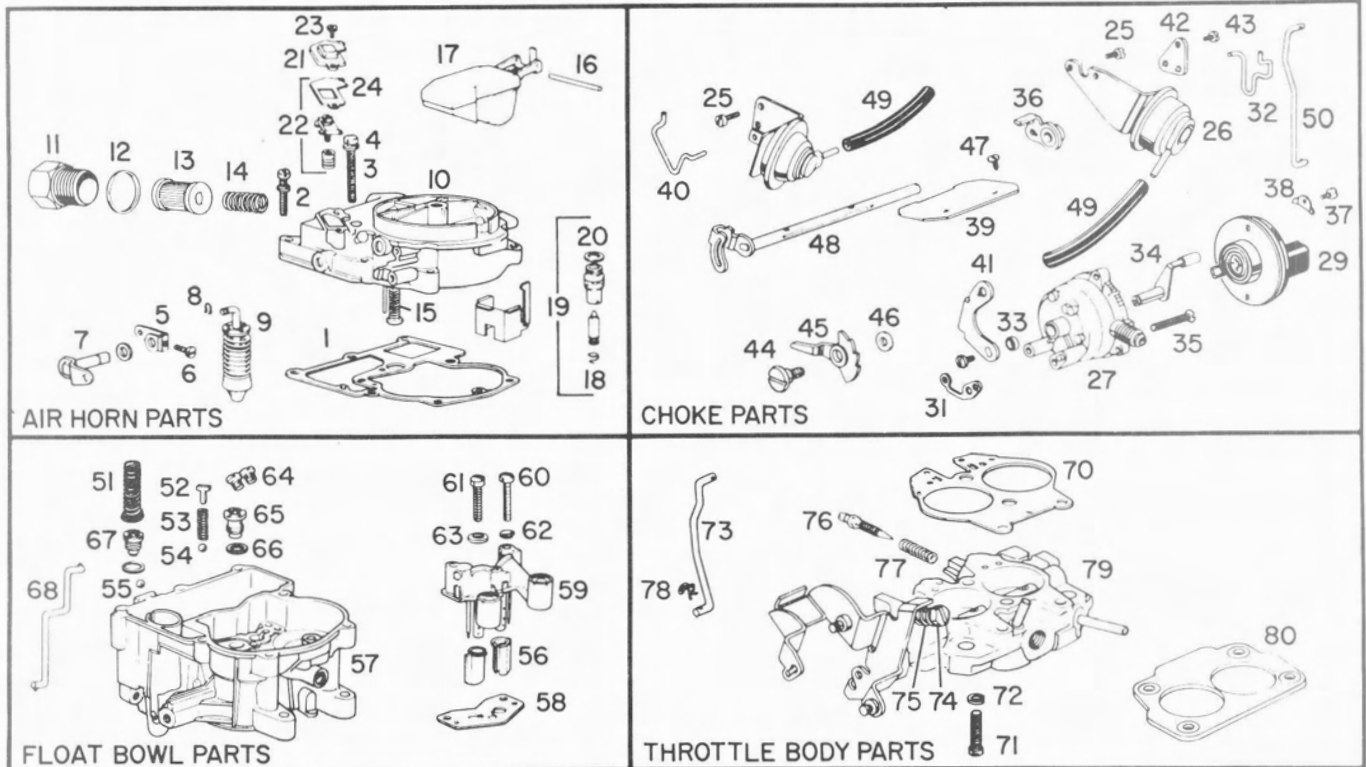


Delco Carburetor

BULLETIN: 9C-6088-A
 DATE: NOVEMBER 1977
 PAGE: 1

MODEL 2GE CARBURETORS
 1977 PONTIAC, LEMANS, FIREBIRD, VENTURA & SUNBIRD
 231 CUBIC INCH ENGINE V-6

PARTS SHOWN ARE FOR IDENTIFICATION ONLY. CONSULT PARTS LIST FOR CORRECT PART NAME AND NUMBER



PARTS IN ALL COLUMNS SAME — EXCEPT WHERE INDICATED

	FEDERAL B-SEDAN F-X 2ND TYPE AIR COND. AUTO. TRANS.	FEDERAL A-B-SEDAN F-X-HSP 2ND TYPE A/C NON A/C AUTO. TRANS.	FEDERAL B-SEDAN 3RD TYPE NON A/C AUTO. TRANS.	FEDERAL B-SEDAN 3RD TYPE AIR COND. AUTO. TRANS.	APPLICATION
	17057180	17057182	17058148	17058149	CARBURETOR No.
	22-1203	22-1203	22-1204	22-1204	REPLACEMENT PACKAGE No.
	17055525	17055525	17055565	17055565	OVERHAUL KIT
	9307	9307	9336	9336	POWER CARB. KIT (NEO-tiP)
	40-439	40-439	40-462	40-462	GASKET SET

Illus. No.	AIR HORN PARTS				
1	17050409				Gasket—Air Horn
2	7010432				Screw—Air Horn—Long
3	7006119				Screw—Air Horn—Short
4	—				Lockwasher—Air Horn Screw
5	7032377				Pump Lever—Inside
6	7011270				Screw—Pump Lever
7	17052510				Pump Shaft & Lever Kit
8	7019568				Washer—Pump Shaft
9	—				Clip—Pump
9	17058976				Pump Assembly
10	17055090	17055090	17055562	17055562	Air Horn Assembly
11	17051765				Filter Nut—Fuel Inlet
12	7032508				Gasket—Filter Nut
13	GF-470				Filter—Fuel Inlet
14	7032732				Spring—Fuel Inlet Filter
15	7009054				Power Piston Assembly
16	7002081				Pin—Float Hinge
17	7037512				Float Assembly

	17057180	17057182	17058148	17058149	CARBURETOR No.
Illus. No.	AIR HORN PARTS (Continued)				
18	--				Pull Clip--Float Needle
19	30-152				Needle & Seat Assy. (Neo-tiP)
20	KIT ONLY				Gasket--Needle Seat
21	17050272				Cover--Idle Vent
22	NONE	NONE	17052733	17052733	Idle Vent Valve Kit
23	7015127				Screw--Idle Vent Valve Cover (2)
24	17053051				Gasket--Idle Vent
CHOKE PARTS					
25	7037570				Screw--Control Attaching
26	7043585				Vac. Brk. Cont. & Brket. Assy. Thr. Side
--	7049893				Aux. Vac. Brk. Cont. Assy. Choke Side
27	17054720				Choke Housing
28	--				Baffle Plate
29	17058794				Electric Stat Cover & Coil Assy.
30	--				Gasket--Stat Cover
31	7037796				Gasket--Choke Housing
32	7038874				Link--Vacuum Break
33	--				Dust Seal--Inter. Choke Shaft
34	7037227				Intermediate Choke Shaft Assy.
35	7013704				Screw--Choke Housing
36	7030796				Lever--Choke Shaft
37	7011270				Screw--Stat Cover
38	7000614				Retainer--Stat Cover
39	7033443				Choke Valve
40	7043157				Link--Aux. Vac. Break
41	7030990				Intermediate Choke Lever
42	7047882				Choke Lever
43	7019709				Screw--Choke Levers
44	7036222				Screw--Cam Attaching
45	17053760	17053760	17051250	17053760	Cam--Fast Idle
46	--				Washer--Cam
47	7007627				Screw--Choke Valve
48	17050404				Choke Shaft
49	7026339				Hose--Vacuum
50	7043278				Choke Rod Intermediate
FLOAT BOWL PARTS					
51	17050241				Spring--Pump Return
52	7000286				Guide--Pump Discharge
53	7002118				Spring--Pump Discharge
54	7002117				Ball--Pump Discharge
55	17050240				Ball--Pump Inlet Check
56	7037286				Insert--Main Well
57	17055376	17055376	17055558	17055558	Float Bowl Assembly
58	KIT ONLY				Gasket--Venturi Cluster
59	17057933	17057933	17060687	17060687	Venturi Cluster Assembly
60	7045762				Screw--Cluster--Outer
61	7009077				Screw--Cluster--Center
62	--				Lockwasher--Outer Screw
63	KIT ONLY				Gasket--Center Screw
64	7002654	7002654	7002651	7002651	Jet--Standard
65	17053647	17053647	17059870	17059870	Power Valve Assembly (Vacuum)
66	KIT ONLY				Gasket--Power Valve
67	17051201	17051201	17050246	17050246	Aux. Power Valve (Mechanical)
68	7043001				Aux. Choke Rod
69	17052388	NONE	NONE	17052388	Solenoid--Idle Stop
--	7043682	NONE	NONE	7043682	Screw--Solenoid Bracket
--	7042654	NONE	NONE	7042654	Nut--Solenoid Retaining
--	7042653	NONE	NONE	7042653	Washer--Tab Locking
--	17050425	NONE	NONE	17061045	Bracket & Washer Assy. Solenoid
THROTTLE BODY PARTS					
70	KIT ONLY				Gasket--Throttle Body
71	7015105				Screw--Throttle Body
72	--				Lockwasher--Throttle Body
73	7038799				Pump Rod
74	7029427				Idle Speed Screw
75	7029428				Spring--Idle Speed Screw
76	17050301	17050301	17057983	17057983	Idle Needle
77	7011479				Spring--Idle Needle
78	7018186				Clip--Pump Rod
79	17055168	17055168	17055563	17055563	Throttle Body Assembly
80	1248832	1248832	1257135	1257135	Flange Gasket



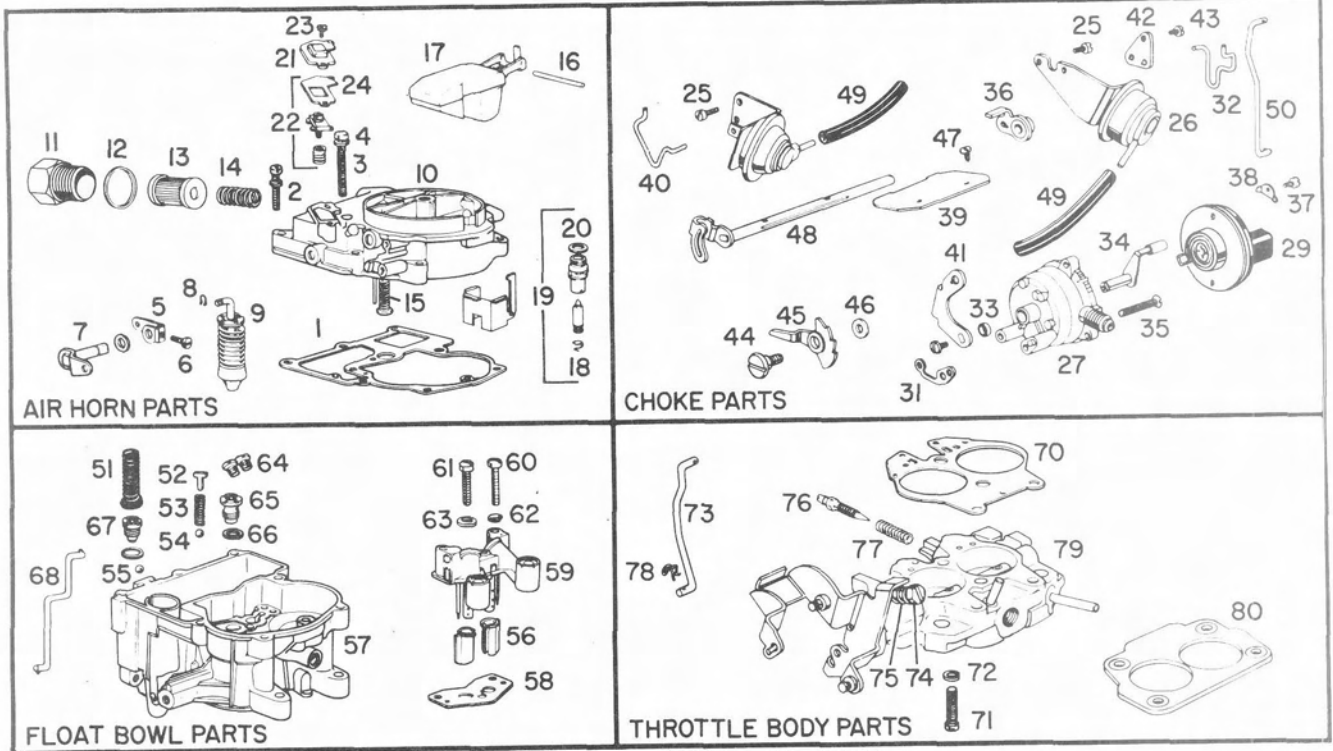
Delco Carburetor

MODEL 2GE CARBURETORS

1977 PONTIAC, LEMANS, FIREBIRD, VENTURA, SUNBIRD
231 CUBIC INCH ENGINE V-6

BULLETIN: 9C-6089
DATE: NOVEMBER 1976
PAGE: 1

PARTS SHOWN ARE FOR IDENTIFICATION ONLY. CONSULT PARTS LIST FOR CORRECT PART NAME AND NUMBER



AIR HORN PARTS

CHOKE PARTS

FLOAT BOWL PARTS

THROTTLE BODY PARTS

PARTS IN ALL COLUMNS SAME — EXCEPT WHERE INDICATED

	FEDERAL B-SED, F, X NON A/C A-SED, HSP A/C NON A/C AUTO. TRANS.	CALIFORNIA B-SED, F, X AIR COND. AUTO. TRANS.	CALIFORNIA SUNBIRD A/C NON A/C MAN. TRANS.	CALIFORNIA B-SED, F, X NON A/C A-SED, HSP A/C NON A/C AUTO. TRANS.	APPLICATION
	17057148	17057446	17057447	17057448	CARBURETOR No.
	22-193	22-198	22-1200	22-198	REPLACEMENT PACKAGE No.
	17055371	17055370	17055214	17055370	OVERHAUL KIT
	9330				POWER CARB. KIT (NEO-tiP)
	40-439				GASKET SET

Illus. No.	AIR HORN PARTS				
1	17050409				Gasket—Air Horn
2	7010432				Screw—Air Horn—Long
3	7006119				Screw—Air Horn—Short
4	—				Lockwasher—Air Horn Screw
5	7032377				Pump Lever—Inside
6	7011270				Screw—Pump Lever
7	17052510	17053815	17053815	17053815	Pump Shaft & Lever Kit
—	7019568				Washer—Pump Shaft
8	—				Clip—Pump
9	17057911				Pump Assembly
10	17055090	17053987	17053987	17053987	Air Horn Assembly
11	17051765				Filter Nut—Fuel Inlet
12	7032508				Gasket—Filter Nut
13	GF-470				Filter—Fuel Inlet
14	7032732				Spring—Fuel Inlet Filter
15	7009054				Power Piston Assembly
16	7002081				Pin—Float Hinge
17	7037512				Float Assembly

	17057148	17057446	17057447	17057448	CARBURETOR No.
Illus. No.	AIR HORN PARTS (Continued)				
18	—				Pull Clip—Float Needle
19	30-152				Needle & Seat Assy. (Neo-tiP)
20	KIT ONLY				Gasket—Needle Seat
21	17050272				Cover—Idle Vent
22	—				Idle Vent Valve Kit
23	7015127				Screw—Idle Vent Valve Cover (2)
24	17053051				Gasket—Idle Vent
CHOKE PARTS					
25	7037570				Screw—Control Attaching
26	7043585				Vac. Brk. Cont. & Bracket Assy. Thr. Side
—	7049893				Aux. Vac. Brk. Cont. Assy. Choke Side
27	17054720				Choke Housing
28	—				Baffle Plate
29	17054594				Electric Stat Cover & Coil Assy.
30	—				Gasket—Stat Cover
31	7037796				Gasket—Choke Housing
32	7038874				Link—Vacuum Break
33	—				Dust Seal—Inter. Choke Shaft
34	7037227				Intermediate Choke Shaft Assy.
35	7013704				Screw—Choke Housing
36	7030796				Lever—Choke Shaft
37	7011270				Screw—Stat Cover
38	7000614				Retainer—Stat Cover
39	7033443				Choke Valve
40	7043157				Link—Aux. Vac. Break
41	7030990				Intermediate Choke Lever
42	7047882				Choke Lever
43	7019709				Screw—Choke Levers
44	7036222				Screw—Cam Attaching
45	17053760	17053760	17051250	17053760	Cam—Fast Idle
46	—				Washer—Cam
47	7007627				Screw—Choke Valve
48	17050404				Choke Shaft
49	7026339				Hose—Vacuum
50	7043278				Choke Rod Intermediate
FLOAT BOWL PARTS					
51	17050241				Spring—Pump Return
52	7000286				Guide—Pump Discharge
53	7002118				Spring—Pump Discharge
54	7002117				Ball—Pump Discharge
55	17050240				Ball—Pump Inlet Check
56	7037286				Insert—Main Well
57	17055376	17052863	17053908	17052863	Float Bowl Assembly
58	KIT ONLY				Gasket—Venturi Cluster
59	17057933	17057932	17057779	17057932	Venturi Cluster Assembly
60	7045762				Screw—Cluster—Outer
61	7009077				Screw—Cluster—Center
62	—				Lockwasher—Outer Screw
63	KIT ONLY				Gasket—Center Screw
64	7002653	7002656	7002651	7002656	Jet—Standard
65	17053647	17053647	17053646	17053647	Power Valve Assembly (Vacuum)
66	KIT ONLY				Gasket—Power Valve
67	17051201	17050246	17050246	17050246	Aux. Power Valve (Mechanical)
68	7043001				Aux. Choke Rod
69	NONE	17052388	17052388	NONE	Solenoid—Idle Stop
—	NONE	7043682	7043682	NONE	Screw—Solenoid Bracket
—	NONE	7042654	7042654	NONE	Nut—Solenoid Retaining
—	NONE	7042653	7042653	NONE	Washer—Tab Locking
—	NONE	17050425	17050425	NONE	Bracket & Washer Assy. Solenoid
THROTTLE BODY PARTS					
70	KIT ONLY				Gasket—Throttle Body
71	7015105				Screw—Throttle Body
72	—				Lockwasher—Throttle Body
73	7038799				Pump Rod
74	7029427				Idle Speed Screw
75	7029428				Spring—Idle Speed Screw
76	17050301				Idle Needle
77	7011479				Spring—Idle Needle
78	7018186				Clip—Pump Rod
79	17055168	17055212	17055212	17055212	Throttle Body Assembly
80	1248832				Flange Gasket

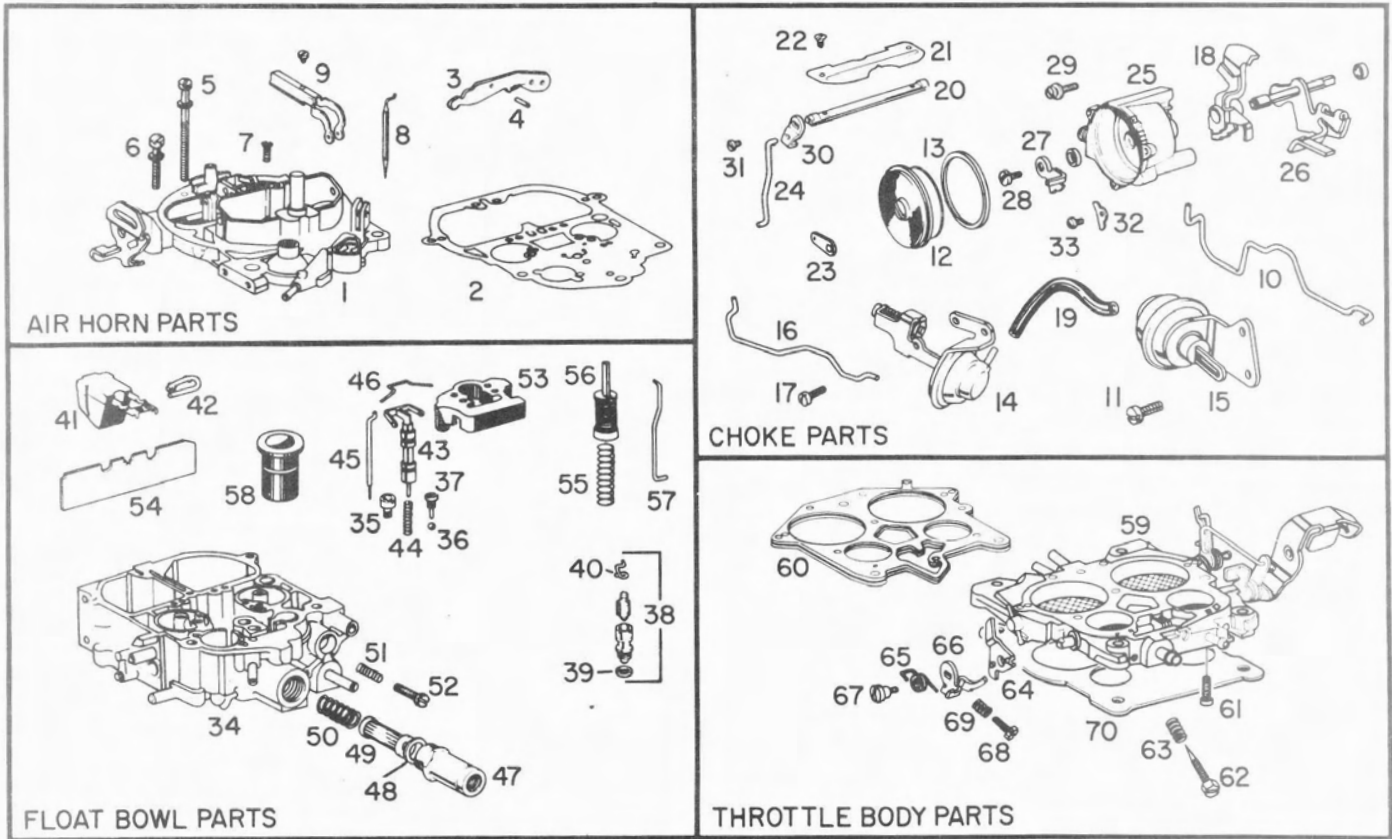


Delco Carburetor

MODEL M2/4 MC QUADRAJET
1977 PONTIAC GRAND PRIX, FIREBIRD,
LEMANS & VENTURA V-8
301 CUBIC INCH ENGINE

BULLETIN: 9C-6090
DATE: NOVEMBER 1976
PAGE: 1

PARTS SHOWN ARE FOR IDENTIFICATION ONLY. CONSULT PARTS LIST FOR CORRECT PART NAME AND NUMBER



PARTS IN ALL COLUMNS SAME — EXCEPT WHERE INDICATED

	FEDERAL LEMANS PONTIAC GRAND PRIX FIREBIRD A/C NON A/C AUTO. TRANS	FEDERAL FIREBIRD A/C NON A/C MAN. TRANS.	FEDERAL VENTURA (EARLY) A/C NON A/C AUTO. TRANS.	FEDERAL VENTURA (EARLY) A/C NON A/C MAN. TRANS.	APPLICATION
	17057172	17057173	17057172	17057173	CARBURETOR No.
	22-6060	22-6061	22-6060	22-6061	REPLACEMENT PACKAGE No.
	17055172	17055317	17055172	17055317	OVERHAUL KIT
	9318				POWER CARBURETOR KIT
	40-446				GASKET SET
AIR HORN PARTS					
Illus. No.	17055093				Air Horn Assembly
1	17051797				Gasket—Air Horn
2	7048169				Lever—Pump Actuating
3	9428787				Roll Pin—Pump & Lockout Lever Hinge
4	7029912				Screw—Air Horn
5	7014699				Screw—Air Horn
6	7031105				Screw—Air Horn
7	—				Metering Rod—Secondary
8	—				Sec. Metering Rod Holder Kit
9	—				Air Valve Spring & Cam Kit
—	—				
CHOKE PARTS					
10	7043393				Link—Aux. Vac. Break
11	7043682				Screw—Aux. Vac. Break Mounting

	17057172	17057173	17057172	17057173	CARBURETOR No.
Illus. No.	CHOKE PARTS (Continued)				
12	17055175				Stat Cover, Coil & Gasket Assy.
13	17050961				Gasket—Stat Cover
14	7044343				Vacuum Break Control & Brkt. Assy.
15	17053083				Aux. Vac. Brk. Control & Brkt. Assy.
16					Rod—Vacuum
17	17050732				Screw—Control Attaching
18	17054139				Cam—Fast Idle
19	7026339				Hose—Vacuum
20	7038259				Choke Shaft
21	7048904				Choke Valve
22	7029866				Screw—Choke Valve
23	7031231				Lever—Intermediate Choke
24	17056305				Rod—Choke
25	17051996				Choke Housing Kit
26	17050754				Inter. Choke Shaft & Lever Assy.
—	7037569				Seal—Inter. Choke Shaft
—	7043367				Seal—Choke Hsg. to Bowl
27	7043368				Lever—Stat Coil
28	7019709				Screw—Coil Lever
29	7038808				Screw—Choke Hsg. to Bowl
30	7041542				Lever—Choke
31	7029866				Screw—Choke Lever
32	7000614				Retainer—Stat Cover
33	7011270				Screw—Stat Cover
	FLOAT BOWL PARTS				
34	17055094	17055096	17055094	17055096	Float Bowl Assembly
35	7031975				Jet—Primary
36	7002117				Ball—Pump Discharge
37	7029849				Retainer—Pump Discharge Ball
38	30-151				Needle & Seat Assy.
39	KIT ONLY				Gasket—Needle Seat
40	7033751				Pull Clip—Float Needle
41	7044332				Float Assembly
42	7041469				Hinge Pin—Float Assembly
43	7044419				Power Piston Assembly Primary
44	17051705	17054215	17051705	17054215	Spring—Power Piston Primary
45	17051350				Metering Rod—Primary
46	7041459				Spring—Metering Rod—Primary
47	7044951				Filter Nut—Fuel Inlet
48	7024281				Gasket—Filter Nut
49	GF-471				Filter—Fuel Inlet
50	7032732				Spring Fuel Filter
51	7003176				Spring—Idle Stop Screw
52	7002121				Screw—Idle Stop
53	7041471				Insert—Float Bowl
54	—				Baffle—Float Bowl
55	7042979				Spring—Pump Return
56	7048874				Pump Assembly
57	7026138				Rod Pump
58	17051796				Insert—Aneroid & Cavity
	THROTTLE BODY PARTS				
59	17056641	17056642	17056641	17056642	Throttle Body Assembly
60	KIT ONLY				Gasket—Throttle Body
61	7035790				Screw—Throttle Body
62	7048532				Idle Needle
63	7011479				Spring—Idle Needle
64	7041497				Lever—Cam Follower
65	17051494				Spring—Cam Lever
66	7041498				Fast Idle Lever
67	7036079				Screw—Fast Idle Lever Attaching
68	7044794				Screw—Fast Idle Adjusting
69	7029900				Spring—Fast Idle Screw
70	498796				Gasket—Flange

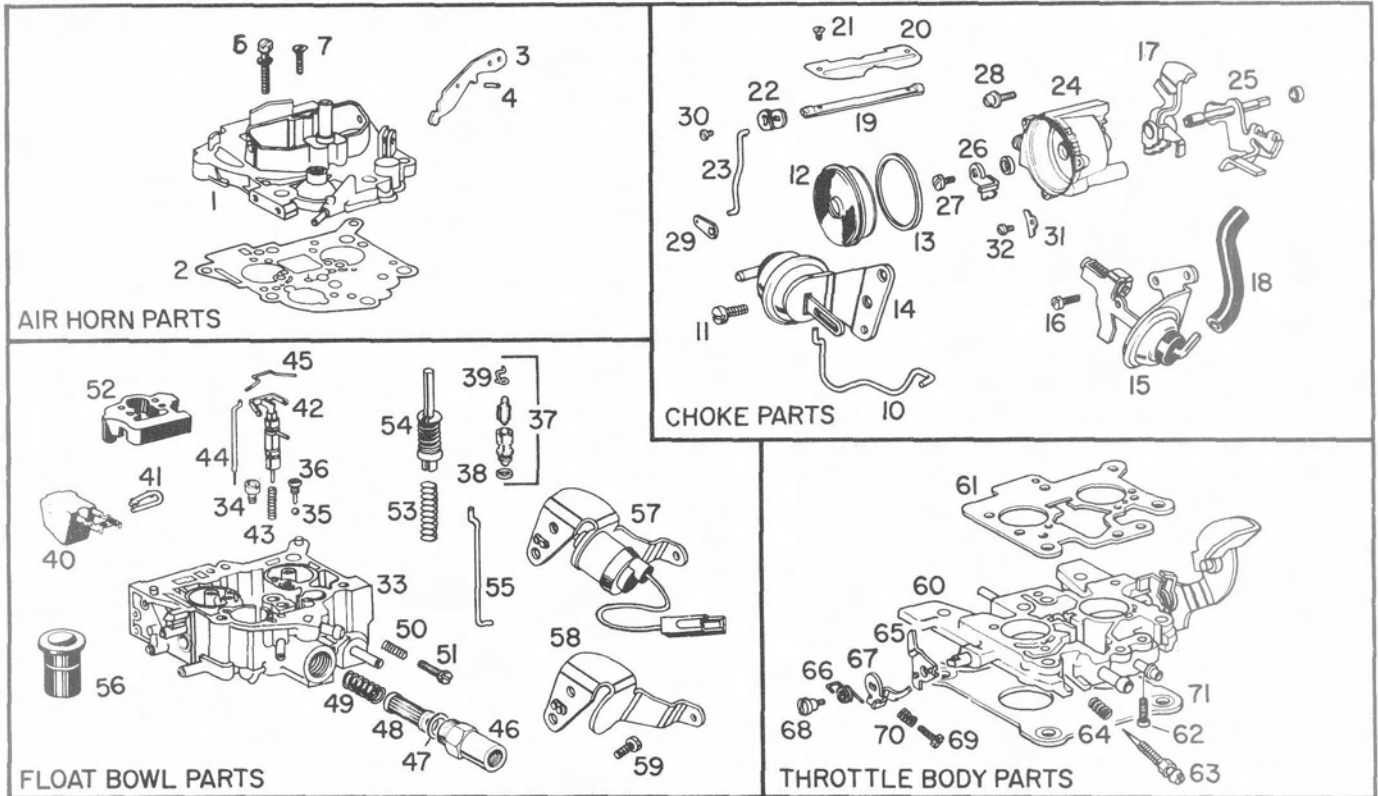


Delco Carburetor

MODEL M2MC DUALJET-210
 1977 PONTIAC, LEMANS, GRAND PRIX
 & FIREBIRD (LATE)
 301 CUBIC INCH ENGINE

BULLETIN: 9C-6090-A
 DATE: NOVEMBER 1977
 PAGE: 1

PARTS SHOWN ARE FOR IDENTIFICATION ONLY. CONSULT PARTS LIST FOR CORRECT PART NAME AND NUMBER



AIR HORN PARTS

CHOKE PARTS

FLOAT BOWL PARTS

THROTTLE BODY PARTS

PARTS IN ALL COLUMNS SAME — EXCEPT WHERE INDICATED

	FEDERAL LEMANS PONTIAC GRAND PRIX FIREBIRD A/C NON A/C AUTO. TRANS.	APPLICATION
	17057176	CARBURETOR No.
	22-6064	REPLACEMENT PACKAGE No.
	17055561	OVERHAUL KIT
	9335	POWER CARBURETOR KIT
	40-461	GASKET SET
		AIR HORN PARTS
Illus. No.		
1	17055559	Air Horn Assembly
2	7045097	Gasket—Air Horn
3	7048169	Lever—Pump Actuating
4	9428787	Roll Pin—Pump & Lockout Lever Hinge
5	—	Screw—Air Horn
6	7014699	Screw—Air Horn
7	7031105	Screw—Air Horn
8	—	Metering Rod—Secondary
9	—	Sec. Metering Rod Holder Kit
—	—	Air Valve Spring & Cam Kit
		CHOKE PARTS
10	17056216	Link—Aux. Vacuum Break
11	7043682	Screw—Aux. Vacuum Break Mounting



Delco Carburetor

MODEL 2GC CARBURETORS

1977 PONTIAC FIREBIRD

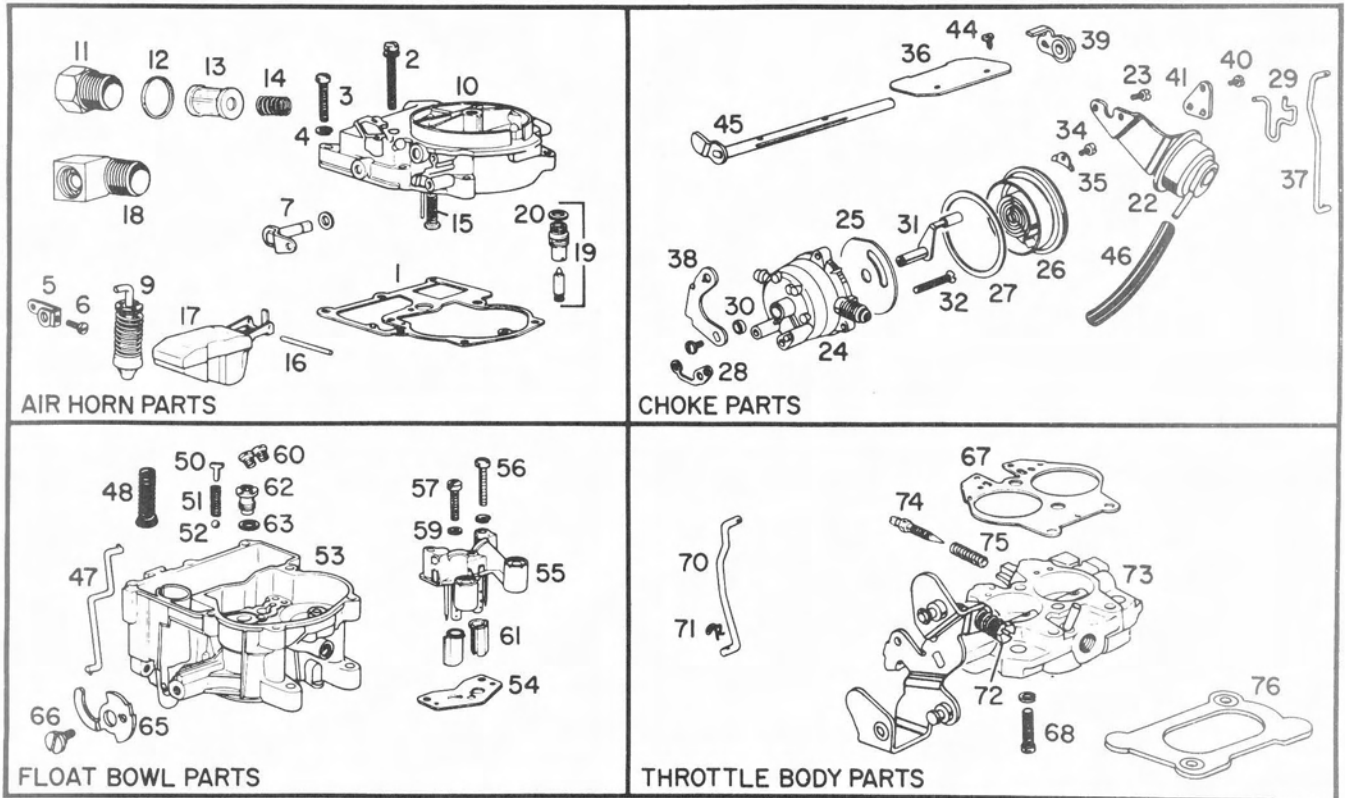
BULLETIN: 9C-6091-A

DATE: NOVEMBER 1977

PAGE: 1

305 CUBIC INCH ENGINE

PARTS SHOWN ARE FOR IDENTIFICATION ONLY. CONSULT PARTS LIST FOR CORRECT PART NAME AND NUMBER



AIR HORN PARTS

CHOKE PARTS

FLOAT BOWL PARTS

THROTTLE BODY PARTS

PARTS IN ALL COLUMNS SAME — EXCEPT WHERE INDICATED

	FEDERAL FIREBIRD EARLY NON A/C AUTO. TRANS.	FEDERAL FIREBIRD EARLY AIR COND. AUTO. TRANS.	FEDERAL FIREBIRD LATE NON A/C AUTO. TRANS.	FEDERAL FIREBIRD LATE AIR COND. AUTO. TRANS.	APPLICATION
	17057112	17057114	17057192	17057194	CARBURETOR No.
	22-3134	22-3132	22-3143	22-3144	REPLACEMENT PKG. No.
	17055338				OVERHAUL KIT
	9327				POWER CARBURETOR KIT
	40-448				GASKET SET
Illus. No.	AIR HORN PARTS				
1	7045671				Gasket—Air Horn
2	7010432				Screw—Air Horn—Long
3	7006119				Screw—Air Horn—Short
4	—				Lockwasher—Air Horn Screw
5	7032377				Pump Lever—Inside
6	7011270				Screw—Pump Lever
7	7044029				Pump Shaft & Lever Assembly
—	7019568				Washer—Pump Shaft
8	—				Clip—Pump
9	7036282				Pump Assembly
10	17052652				Air Horn Assembly
11	17053408				Filter Nut—Fuel Inlet
12	7032508				Gasket—Filter Nut
13	GF-470				Filter—Fuel Inlet
14	7032732				Spring—Fuel Inlet Filter
15	7009054				Power Piston Assembly
16	7002081				Pin—Float Hinge
17	7037512				Float Assembly
18	7044035				Elbow—Filter Nut

	17057112	17057114	17057192	17057194	CARBURETOR No.
Illus. No.	AIR HORN PARTS (Continued)				
19	30-152				Needle & Seat Assembly
20	KIT ONLY				Gasket—Needle Seat
CHOKE PARTS					
21	—				Vacuum Break Constrol Assembly
22	7044056				Vac. Brk. Cont. & Brkt. Assy. Ch. Side
23	7037570				Screw—Control Attaching
24	17055540				Choke Housing
25	7037239				Baffle Plate
26	17052654				Stat Cover, Coil & Gasket Assy.
27	17050961				Gasket—Stat Cover
28	7043291				Gasket—Choke Housing
29	7040239				Link—Vacuum Break
30	7037569				Dust Seal—Inter. Choke Shaft
31	7043289				Intermediate Choke Shaft Assy.
32	7043292				Screw—Choke Housing
33	—				Cam Lever & Bushing Assembly
34	7011270				Screw—Stat Cover
35	7000614				Retainer—Stat Cover
36	7033443				Choke Valve
37	17050270				Intermediate Choke Rod
38	17050266				Intermediate Choke Lever
39	17050766				Lever Choke
40	7019709				Screw—Choke Levers
41	17050271				Lever—Choke Shaft
42	—				
43	—				
44	7007627				Screw—Choke Valve
45	7047797				Choke Shaft Assy.
46	7026339				Hose—Vacuum
47	7043370				Choke Link
FLOAT BOWL PARTS					
48	7041141				Spring—Pump Return
49	7002120				Ball—Pump Inlet Check
—	—				Strainer—Pump Inlet
50	7000286				Guide—Pump Discharge
51	7002118				Spring—Pump Discharge
52	7002117				Ball—Pump Discharge
53	17055364				Float Bowl Assembly
54	KIT ONLY				Gasket—Venturi Cluster
55	17054520				Venturi Cluster Assembly
56	7045762				Screw—Venturi Cluster—Outer
57	7009077				Screw—Cluster—Center
58	—				Lockwasher—Outer Screws
59	KIT ONLY				Gasket—Center Screw
60	7002652	7002652	7002651	7002651	Jet—Standard (See Note)
61	7040320				Insert—Main Well
62	7011989				Power Valve Assembly
63	KIT ONLY				Gasket—Power Valve
64	—				
65	7045057				Cam—Fast Idle
66	7036222				Screw—Cam Attaching
—	NONE	1997409	NONE	1997409	Solenoid—Idle Stop (See Note)
—	NONE	7042818	NONE	7042818	Bracket & Washer Assembly
—	NONE	7042654	NONE	7042654	Nut—Solenoid Retaining
—	NONE	7043682	NONE	7043682	Screw—Bracket Attaching
THROTTLE BODY PARTS					
67	KIT ONLY				Gasket—Throttle Body
68	7015105				Screw—Throttle Body
69	—				Lockwasher—Throttle Body Screws
70	7041249				Pump Rod
71	7018186				Clip—Pump Rod
72	7029427				Idle Stop Screw
—	7041519				Spring—Idle Stop Screw
73	17055336				Throttle Body Assembly
74	7048860				Idle Needle
75	7011479				Spring—Idle Needle.
76	6271058				Insulator—Flange

Note: Solenoid Available Through Delco-Remy



Delco Carburetor

MODEL M4MC QUADRAJET

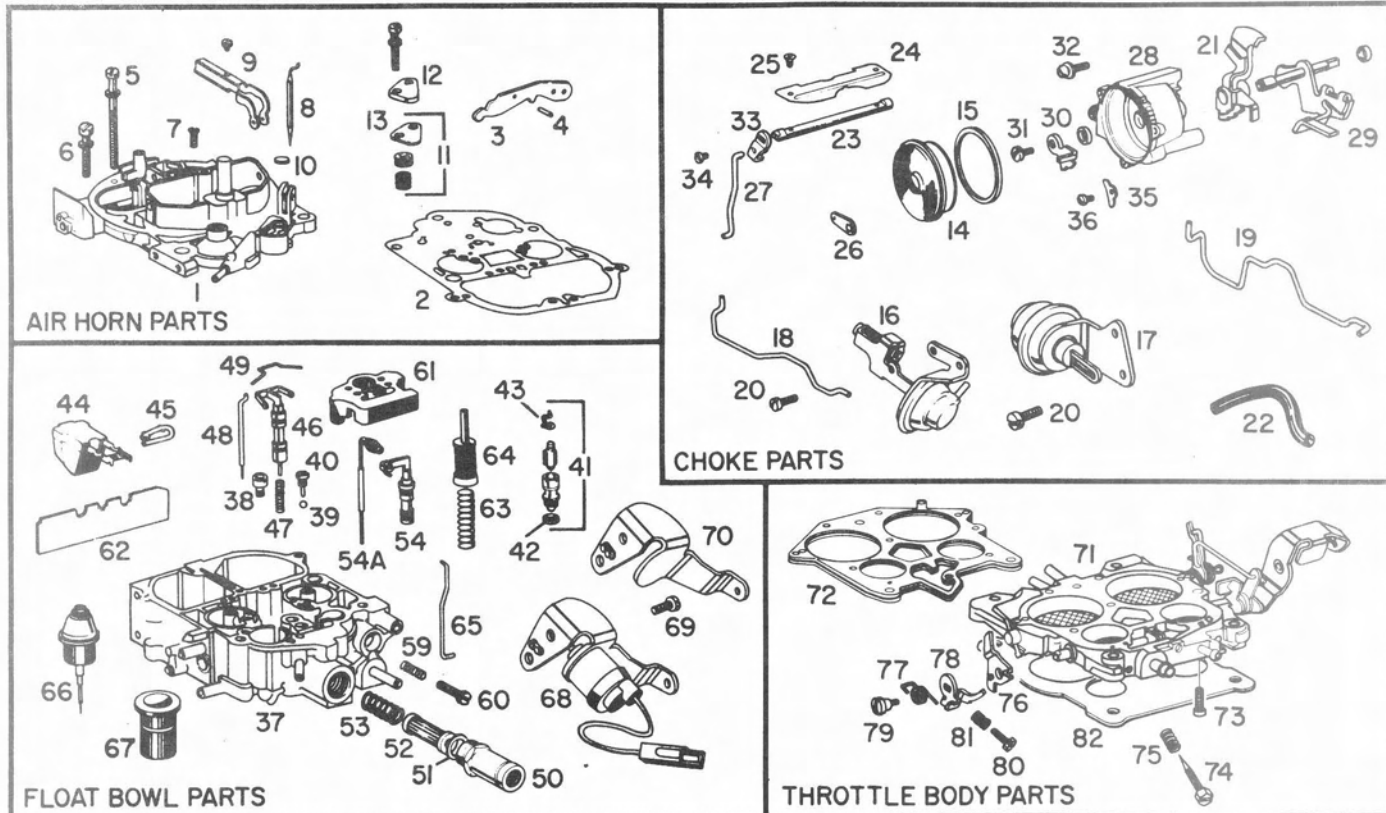
1977 PONTIAC & VENTURA

(EARLY)

350 CUBIC INCH ENGINE

BULLETIN: 9C-6092
DATE: NOVEMBER 1976
PAGE: 1

PARTS SHOWN ARE FOR IDENTIFICATION ONLY. CONSULT PARTS LIST FOR CORRECT PART NAME AND NUMBER



PARTS IN ALL COLUMNS SAME — EXCEPT WHERE INDICATED

FEDERAL B-SEDAN (EARLY) NON A/C AUTO TRANS	FEDERAL B-SEDAN (EARLY) AIR COND. AUTO TRANS	ALTITUDE VENTURA (EARLY) A/C NON A/C AUTO TRANS	CALIFORNIA VENTURA (EARLY) NON A/C AUTO TRANS	CALIFORNIA VENTURA (EARLY) AIR COND. AUTO TRANS	APPLICATION
17057255	17057256	17057258	17057550	17057553	CARBURETOR No.
24-5026	24-5026	24-5020	24-5023	24-5023	REPLACEMENT PACKAGE No.
17055223	17055223	17055183	17055220	17055220	OVERHAUL KIT
9319					POWER CARBURETOR KIT
40-454					GASKET SET

Illus. No.	AIR HORN PARTS					
1	17055216	17055216	17055179	17055179	17055179	Air Horn Assembly
2	17051797					Gasket—Air Horn
3	7048169					Lever—Pump Actuating
4	9428787					Roll Pin—Pump & Lockout Lvr.Hg.
5	7029912					Screw—Air Horn
6	7014699					Screw—Air Horn
7	7031105					Screw—Air Horn
8	7045984					Metering Rod—Secondary
9	7034522					Sec. Metering Rod Holder Kit
—	7035344					Air Valve Spring & Cam Kit
10	—					Plug—Idle Vent
11	—					Idle—Vent Valve Kit
12	—					Cover—Idle Vent
13	—					Gasket—Idle Vent Cover
CHOKE PARTS						
14	17054309					Stat Cover, Coil & Gasket Assy.
15	17050961					Gasket—Start Cover
16	7044435					Vac. Brk. Cont. & Brkt. Assy.
17	7044433	7044433	7044431	7044431	7044431	Aux—Vac. Brk. Control Brkt. Assy.

CO, WD, 131, 132:16, 9X, 9FR

PRINTED IN U.S.A.
© 1976 GENERAL MOTORS CORP.

	17057255	17057256	17057258	17057550	17057553	CARBURETOR No.
Illus. No.	CHOKE PARTS (Continued)					
18	7041527					Rod—Vacuum Break
19	7043466					Link—Aux. Vac. Break
—	7043682					Screw—Aux. Vac. Brk. Mounting
20	17050732					Screw—Control Attaching
21	17056631	17056631	17056632	17056632	17056632	Cam—Fast Idle
22	7026339					Hose—Vacuum
23	7038259					Choke Shaft
24	7048904					Choke Valve
25	7029866					Screw—Choke Valve
26	7031231					Lever—Intermediate Choke
27	7041472					Rod—Choke
28	17055095	17055095	17055095	17051955	17051955	Choke Housing Kit
29	7041492					Inter. Choke Shaft & Lever Assy.
—	7037569					Seal—Inter. Choke Shaft
—	7043367					Seal—Choke Hsg. to Bowl
30	7043368					Lever—Stat Coil
31	7019709					Screw—Coil Lever
32	7038808					Screw—Choke Hsg. to Bowl
33	7041542					Lever—Choke
34	7029866					Screw—Choke Lever
35	7000614					Retainer—Stat Cover
36	7011270					Screw—Stat Cover
	FLOAT BOWL PARTS					
37	17055217	17055217	17055217	17055222	17055222	Float Bowl Assembly
38	7031973	7031973	7031970	7031974	7031974	Jet—Primary
39	7002117					Ball—Pump Discharge
40	7029849					Retainer—Pump Discharge Ball
41	30-134					Needle & Seat Assy.
42	KIT ONLY					Gasket—Needle Seat
43	7033751					Pull Clip—Float Needle
44	7046300					Float Assembly
45	7041469					Hinge Pin—Float Assembly
46	7044449					Power Piston Assembly
47	7045195	7045195	17051705	17051705	17051705	Spring—Power Piston—Primary
—	—					Spring—Power Piston—Aux.
48	17051349	17051349	17056949	17056950	17056950	Metering Rod—Primary
49	7041459					Spring—Metering Rod—Primary
50	7044951					Filter Nut—Fuel Inlet
51	7024281					Gasket—Filter Nut
52	GF-471					Filter—Fuel Inlet
53	7032732					Spring Fuel Filter
54	—					Aux. Power Piston Assy.
—	7041473					Lever—Secondary Lockout
55	—					Idle Compensator Assembly
56	—					Gasket—Idle Compensator
57	—					Cover—Idle Compensator
58	—					Screw—Cover Attaching
59	7003176					Spring—Idle Stop Screw
60	7002121					Screw—Idle Stop
61	7041471					Insert—Float Bowl
62	7031365					Baffle—Float Bowl
63	7042979					Spring Pump Return
64	17053072					Pump Assembly
65	7026138					Rod—Pump
66	—					A.P.T. Rod Assembly
67	7044330					Aneroid Insert
68	NONE	7043619	7043619	NONE	7043619	Solenoid & Bracket Assy.
69	7043682	7043682	7043682	7043682	7043682	Screw—Bracket Attaching
70	7043617	NONE	NONE	7043617	NONE	Bracket—Throttle Return Spring
	THROTTLE BODY PARTS					
71	17054087	17054087	17070001	17054087	17054087	Throttle Body Assembly
72	KIT ONLY					Gasket—Throttle Body
73	7035790					Screw—Throttle Body
74	7048532					Idle Needle
75	7011479					Spring—Idle Needle
76	7041497					Lever—Cam Follower
77	17051494					Spring—Cam Lever
78	7041498					Fast Idle Lever
79	7036079					Screw—Fast Idle Lever
80	7044794					Screw—Fast Idle Adjusting
81	7029900					Spring—Fast Idle Screw
82	419047					Gasket—Flange



Delco Carburetor

MODEL M4MC QUADRAJET

1977 PONTIAC & VENTURA
(LATE)

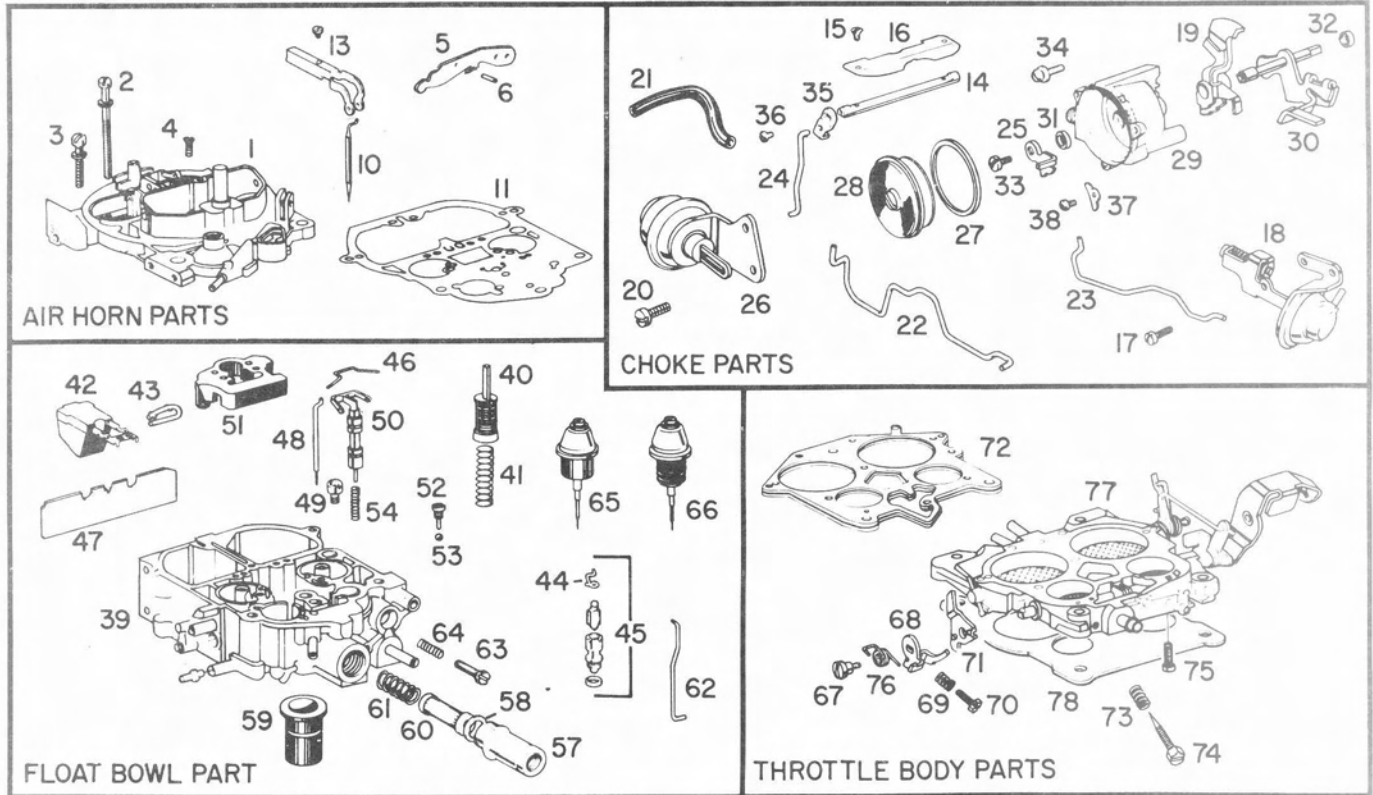
350 CUBIC INCH ENGINE

BULLETIN: 9C-6093

DATE: NOVEMBER 1976

PAGE: 1

PARTS SHOWN ARE FOR IDENTIFICATION ONLY. CONSULT PARTS LIST FOR CORRECT PART NAME AND NUMBER



PARTS IN ALL COLUMNS SAME — EXCEPT WHERE INDICATED

	CALIFORNIA VENTURA (LATE) NON A/C AUTO TRANS	CALIFORNIA VENTURA (LATE) AIR COND. AUTO TRANS	ALTITUDE VENTURA (LATE) NON A/C AUTO TRANS	ALTITUDE VENTURA (LATE) AIR COND. AUTO TRANS	FEDERAL B-BODY (LATE) A/C NON A/C AUTO TRANS	APPLICATION
	17057502	17057504	17057582	17057584	17057262	CARBURETOR No.
	24-3141	24-3141	24-3154	24-3154	24-6070	REPLACEMENT PACKAGE No.
	17055322	17055322	17055322	17055322	17054955	OVERHAUL KIT
	9299	9299	9299	9299	9295	POWER CARBURETOR KIT
	40-449	40-449	40-449	40-449	40-446	GASKET SET
Illus. No.	AIR HORN PARTS					
1	17052990	17052990	17052990	17052990	17052881	Air Horn Assembly
2	7029912					Screw—Air Horn
3	7014699					Screw—Air Horn
4	7031105					Screw—Air Horn
5	7048169					Lever—Pump Actuating
6	9428787					Roll Pin—Pmp & Lockout Levers
7	—					Screw—Idle Vent Valve
8	—					Valve—Idle Vent
9	—					Idle Vent Valve Kit
10	7045779	7045779	7045779	7045779	7047806	Metering Rod—Secondary
11	17051797					Gasket—Air Horn
12	—					Lockout Lever—Air Valve
13	7034522					Secondary Metering Rod Holder Kit
—	7035344					Air Valve Spring and Cam Kit

	17057502	17057504	17057582	17057584	17057262	CARBURETOR No.
CHOKE PARTS						
Illus. No.						
14	7038259					Choke Shaft
15	7029866					Screw—Choke Valve
16	7048904	7048904	7048904	7048904	7041558	Choke Valve
17	17050732					Screw—Vacuum Break Control
18	17050759	17050759	17050759	17050759	17054572	Vac. Brk. Cont. & Brkt. Assembly
19	17051176	17051176	17051176	17051176	7041484	Cam—Fast Idle
20	—					Screw—Aux. Vac. Brk. Mounting
21	7026339					Hose—Vacuum
22	7041527					Rod—Vacuum Break
—	7031231					Lever—Intermediate Choke
23	—					Link—Aux. Vac. Break
24	7041472					Rod—Choke
25	7041499	7041499	7041499	7041499	7043368	Lever—Choke Coil
26	—	—	—	—	7043497	Vac. Brk. Control & Brkt. Assy. Aux.
27	17050961					Gasket—Stat Cover
28	17051918	17051918	17051918	17051918	17051956	Stat Cover—Coil & Gasket Assy.
29	17055234	17055234	17055234	17055234	17051996	Choke Housing Kit
30	17050754					Intermediate Choke Shaft & Lever
31	7037569					Seal Inter. Choke Shaft
32	7043367					Seal—Choke Housing to Bowl
33	7019709					Screw—Coil Lever
34	7038808					Screw—Choke Housing to Bowl
35	7041542					Lever—Choke
36	7029866					Screw—Choke Lever
37	7000614					Retainer—Stat Cover (3)
38	7011270					Screw—Stat Cover (3)
FLOAT BOWL PARTS						
39	17055081	17055081	17055081	17055081	17052886	Float Bowl Assembly
40	17051374	17051374	17051374	17051374	7048871	Pump Assembly
41	7042979					Spring—Pump Return
42	7043379	7043379	7043379	7043379	7044332	Float Assembly
43	7041469					Hinge Pin—Float
44	7033751					Pull Clip—Float Needle
45	30-134	30-134	30-134	30-134	30-148	Needle and Seat Assembly
—	KIT ONLY					Gasket—Needle Seat
46	7041459					Spring—Metering Rod—Primary
47	7031365					Baffle Plate—Float Bowl
48	17051341	17051341	17051341	17051341	17053343	Metering Rod—Primary
49	7031972	7031972	7031972	7031972	7031971	Metering Jet—Primary
50	17051792					Power Piston Assembly
51	7041471					Insert—Float Bowl
52	7029849					Retainer—Pump Discharge Ball
53	7002117					Ball—Pump Discharge
54	7036019	7036019	7036019	7036019	7044068	Spring—Power Piston
55	—					Clip—Pump Rod
56	7041473					Lockout Lever—Secondary
57	17051254	17051254	17051254	17051254	7044951	Filter Nut—Fuel Inlet
58	7024281					Gasket—Inlet Nut
59	17051796					Insert—Aneriod Cavity
60	GF-471					Filter—Fuel Inlet
61	7043568	7043568	7043568	7043568	7032732	Spring—Inlet Filter
62	7026138					Rod—Pump
63	7002121					Screw—Idle Stop
64	7003176					Spring—Idle Stop Screw
65	—	—	—	—	—	A.P.T. Rod Assembly
66	—	—	—	—	—	Aneriod Assembly
—	NONE	1997 ^{AF} 1	NONE	1997461	NONE	Solenoid & Brkt. Assy. (See Note)
—	NONE	7043682	NONE	7043682	NONE	Screw—Bracket Attaching
—						
THROTTLE BODY PARTS						
67	7036079					Screw—Fast Idle Levers Attaching
68	7041498					Lever—Fast Idle
69	7029900					Spring—Fast Idle Screw
70	7044794					Screw—Fast Idle Adjusting
71	7041497					Lever—Cam Follower
72	KIT ONLY					Gasket—Throttle Body
73	7011479					Spring—Idle Needle
74	7048531	7048531	7048531	7048531	7048532	Idle Needle
75	7035790					Screw—Throttle Body
76	17051494					Spring—Cam Follower Lever
77	17054405	17054405	17054405	17054405	17054435	Throttle Body Assembly
78	372506	372506	372506	372506	498796	Insulator—Flange



Delco Carburetor

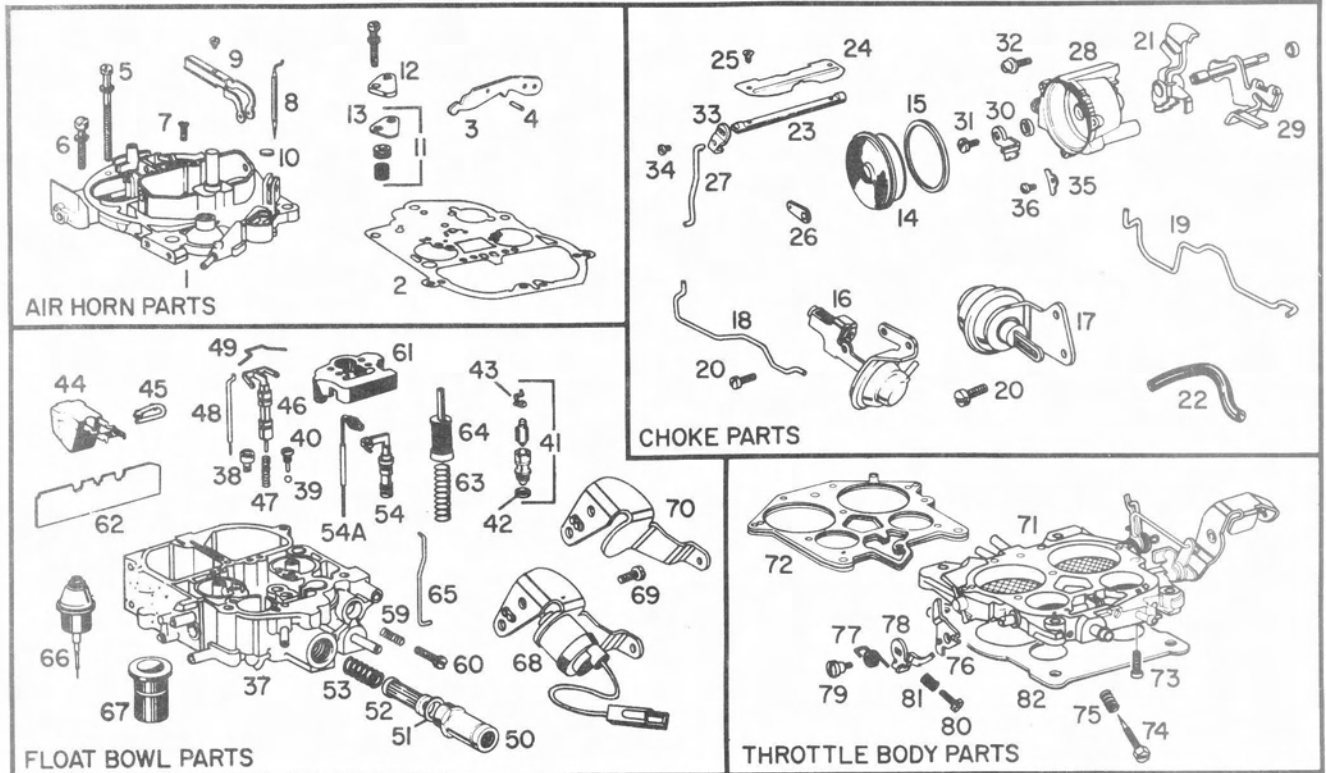
MODEL M4MC QUADRAJET

1977 PONTIAC, LEMANS, GRAND PRIX & FIREBIRD

350 CUBIC INCH ENGINE

BULLETIN: 9C-6094
 DATA: NOVEMBER 1976
 PAGE: 1

PARTS SHOWN ARE FOR IDENTIFICATION ONLY. CONSULT PARTS LIST FOR CORRECT PART NAME AND NUMBER



PARTS IN ALL COLUMNS SAME — EXCEPT WHERE INDICATED

	ALTITUDE LEMANS-SED. PONTIAC GRAND PRIX FIREBIRD A/C NON A/C AUTO. TRANS.	FEDERAL LEMANS-SED. GRAND PRIX FIREBIRD A/C NON A/C AUTO. TRANS.	CALIF. LEMANS PONTIAC GRAND PRIX FIREBIRD NON A/C AUTO. TRANS.	CALIF. LEMANS PONTIAC GRAND PRIX FIREBIRD AIR COND. AUTO. TRANS.	APPLICATION
	17057256	17057262	17057550	17057553	CARBURETOR No.
	24-5020	24-6070	24-5023	24-5023	REPLACEMENT PKG. No.
	17055183	17054955	17055220	17055220	OVERHAUL KIT
	9319	9295	9319	9319	POWER CARB. KIT
	40-454	40-446	40-454	40-454	GASKET SET
AIR HORN PARTS					
Illus. No.					
1	17055179	17052881	17055179	17055179	Air Horn Assembly
2	17051797				Gasket—Air Horn
3	7048169				Lever—Pump Actuating
4	9428787				Roll Pin—Pmp & Lkt. Lvr. Hng.
5	7029912				Screw—Air Horn
6	7014699				Screw—Air Horn
7	7031105				Screw—Air Horn
8	7045984	7047806	7045984	7045984	Metering Rod—Secondary
9	7034522				Sec. Metering Rod Holder Kit
—	7035344				Air Valve Spring & Cam Kit
10	—				Plug—Idle Vent
11	—				Idle—Vent Valve Kit
12	—				Cover—Idle Vent
13	—				Gasket—Idle Vent Cover
CHOKE PARTS					
14	17054309	17051956	17054309	17054309	Stat Cvr., Coil & Gsk. Assy.
15	17050961				Gasket—Start Cover
16	7044435	17054572	7044435	7044435	Vac. Break Con. & Brkt. Assy.
17	7044431	7043497	7044431	7044431	Aux—Vac. Brk. Con., Brkt. Assy.

CO, WD, 131, 132:16, 9X, 9FR

PRINTED IN U.S.A.
 ©1976 GENERAL MOTORS CORP.

	17057258	17057262	17057550	17057553	CARBURETOR No.
Illus. No.	CHOKE PARTS (Continued)				
18	7041527				Rod—Vacuum Break
19	7043466	7043393	7043466	7043466	Link—Aux. Vac. Break
—	7043682				Screw—Aux. Vac. Brk. Mnt.
20	17050732				Screw—Control Attaching
21	17056632	7041484	17056632	17056632	Cam—Fast Idle
22	7026339				Hose—Vacuum
23	7038259				Choke Shaft
24	7048904	7041558	7048904	7048904	Choke Valve
25	7029866				Screw—Choke Valve
26	7031231				Lever—Inter. Choke
27	7041472	17056305	7041472	7041472	Rod—Choke
28	17055095	17051996	17051955	17051955	Choke Housing Kit
29	7041492	17050754	7041492	7041492	Inter. Choke Shaft & Lvr. Assy.
—	7037569				Seal—Inter. Choke Shaft
—	7043367				Seal—Choke Hsg. To Bowl
30	7043368				Lever—Stat Coil
31	7019709				Screw—Coil Lever
32	7038808				Screw—Choke Hsg. To Bowl
33	7041542				Lever—Choke
34	7029866				Screw—Choke Lever
35	7000614				Retainer—Stat Cover
36	7011270				Screw—Stat Cover
	FLOAT BOWL PARTS				
37	17055217	17052886	17055222	17055222	Float Bowl Assembly
38	7031970	7031971	7031974	7031974	Jet—Primary
39	7002117				Ball—Pump Discharge
40	7029849				Retainer—Pump Discharge Ball
41	30-134	30-148	30-134	30-134	Needle & Seat Assy.
42	KIT ONLY				Gasket—Needle Seat
43	7033751				Pull Clip—Float Needle
44	7046300	7044332	7046300	7046300	Float Assembly
45	7041469				Hinge Pin—Float Assy.
46	7044449	17051792	7044449	7044449	Power Piston Assembly
47	17051705	7044068	17051705	17051705	Sprg.—Pwr. Piston—Primary
—					Spring—Pwr. Piston—Aux.
48	17056949	17053343	17056950	17056950	Metering Rod—Primary
49	7041459				Spring—Mtrng. Rod—Primary
50	7044951				Filter Nut—Fuel Inlet
51	7024281				Gasket—Filter Nut
52	GF-471				Filter—Fuel Inlet
53	7032732				Spring Fuel Filter
54	—				Aux. Pwr. Piston Assy.
—	7041473				Lever—Secondary Lockout
55	—				Idle Compen. Assy.
56	—				Gasket—Idle Compen.
57	—				Cover—Idle Compen.
58	—				Screw—Cover Attaching
59	7003176				Spring—Idle Stop Screw
60	7002121				Screw—Idle Stop
61	7041471				Insert—Float Bowl
62	7031365				Baffle—Float Bowl
63	7042979				Spring Pump Return
64	17053072	7048871	17053072	17053072	Pump Assembly
65	7026138				Rod—Pump
66	—				A.P.T. Rod Assy.
67	7044330	17051796	7044330	7044330	Aneroid Insert
68	7043619	NONE	NONE	7043619	Solenoid & Bracket Assy.
69	7043682	NONE	7043682	7043682	Screw—Bracket Attaching
70	NONE	NONE	7043617	NONE	Bracket—Thr. Return Spring
	THROTTLE BODY PARTS				
71	17070001	17054435	17054087	17054087	Thr. Body Assy.
72	KIT ONLY				Gasket—Throttle Body
73	7035790				Screw—Throttle Body
74	7048532				Idle Needle
75	7011479				Spring—Idle Needle
76	7041497				Lever—Cam Follower
77	17051494				Spring—Cam Lever
78	7041498				Fast Idle Lever
79	7036079				Screw—Fast Idle Lever
80	7044794				Screw—Fast Idle Adjusting
81	7029900				Spring—Fast Idle Screw
82	419047	498796	419047	419047	Gasket—Flange



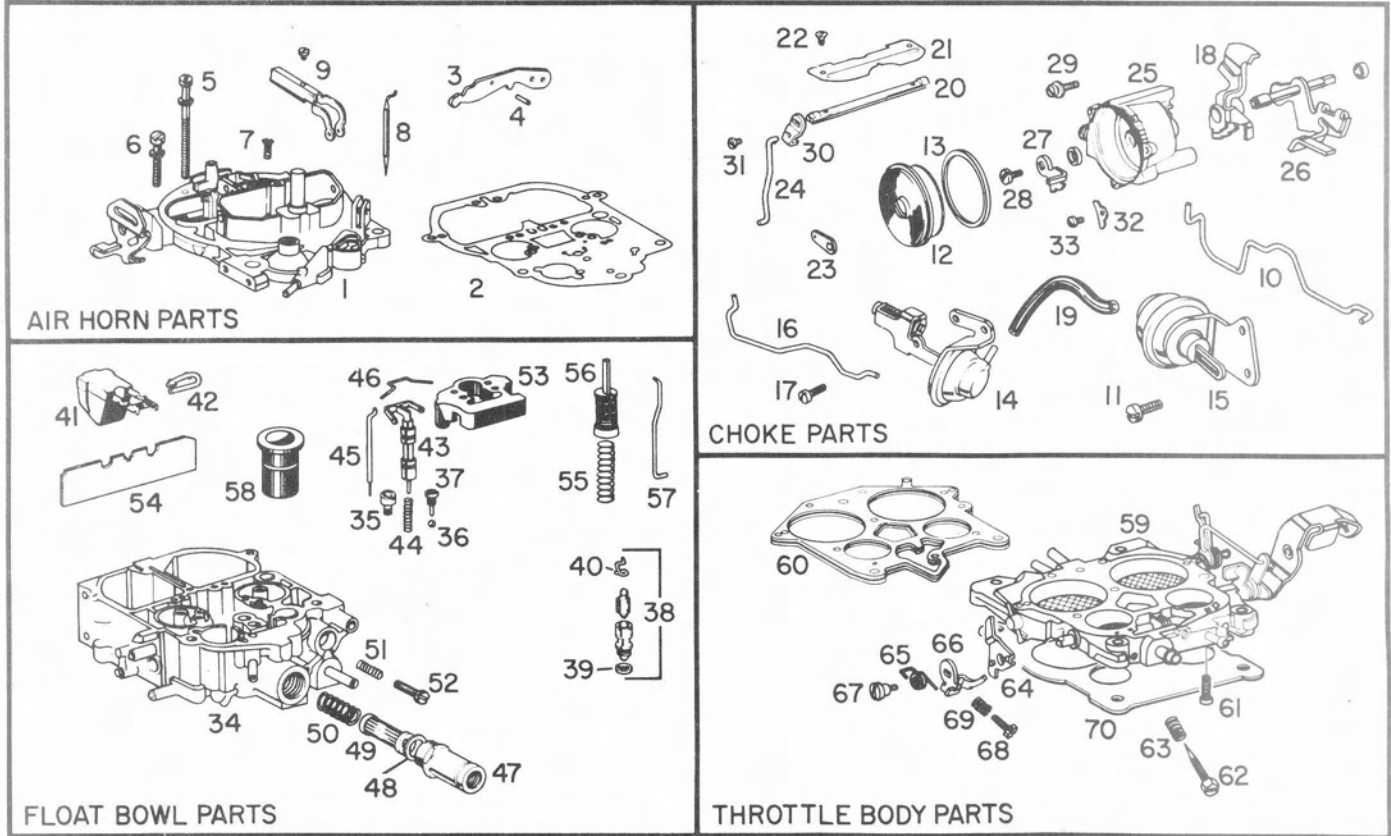
Delco Carburetor

MODEL M4MC QUADRAJET

1977 PONTIAC GRAND PRIX, FIREBIRD & LEMANS V-8 400 CUBIC INCH ENGINE

BULLETIN: 9C-6095
DATE: NOVEMBER 1976
PAGE: 1

PARTS SHOWN ARE FOR IDENTIFICATION ONLY. CONSULT PARTS LIST FOR CORRECT PART NAME AND NUMBER



PARTS IN ALL COLUMNS SAME — EXCEPT WHERE INDICATED

	FEDERAL FIREBIRD A/C NON A/C MAN. TRANS.	FEDERAL FIREBIRD HIGH PERF. A/C NON A/C AUTO. TRANS.	FEDERAL LEMANS, GRAND PRIX FIREBIRD A/C NON A/C AUTO. TRANS.	APPLICATION
	17057263	17057266	17057274	CARBURETOR No.
	24-6071	24-6072	24-6069	REPLACEMENT PACKAGE No.
	17054955	17052888	17052888	OVERHAUL KIT
	9295			POWER CARBURETOR KIT
	40-446			GASKET SET
Illus. No.	AIR HORN PARTS			
1	17052880	17052881	17052881	Air Horn Assembly
2	17051797			Gasket—Air Horn
3	7048169			Lever—Pump Actuating
4	9428787			Roll Pin—Pump & Lockout Lever Hinge
5	7029912			Screw—Air Horn
6	7014699			Screw—Air Horn
7	7031105			Screw—Air Horn
8	7047806			Metering Rod—Secondary
9	7034522			Sec. Metering Rod Holder Kit
—	7035344			Air Valve Spring & Cam Kit
	CHOKE PARTS			
10	7043393			Link—Aux. Vac. Break
11	7043682			Screw—Aux. Vac. Break Mounting

	17057263	17057266	17057274	CARBURETOR No.
CHOKE PARTS (Continued)				
Illus. No.				
12	17051956			Stat Cover, Coil & Gasket Assy.
13	17050961			Gasket—Stat Cover
14	17054572			Vacuum Break Control & Brkt. Assy.
15	7043497			Aux. Vac. Brk. Control & Brkt. Assy.
16	7041527			Rod—Vacuum
17	17050732			Screw—Control Attaching
18	7041484			Cam—Fast Idle
19	7026339			Hose—Vacuum
20	7038259			Choke Shaft
21	7041558			Choke Valve
22	7029866			Screw—Choke Valve
23	7031231			Lever—Intermediate Choke
24	17056305			Rod—Choke
25	17051996			Choke Housing Kit
26	17050754			Inter. Choke Shaft & Lever Assy.
—	7037569			Seal—Inter. Choke Shaft
—	7043367			Seal—Choke Hsg. to Bowl
27	7043368			Lever—Stat Coil
28	7019709			Screw—Coil Lever
29	7038808			Screw—Choke Hsg. to Bowl
30	7041542			Lever—Choke
31	7029866			Screw—Choke Lever
32	7000614			Retainer—Stat Cover
33	7011270			Screw—Stat Cover
FLOAT BOWL PARTS				
34	17052878	17055211	17055211	Float Bowl Assembly
35	7031970	7031971	7031971	Jet—Primary
36	7002117			Ball—Pump Discharge
37	7029849			Retainer—Pump Discharge Ball
38	30-148			Needle & Seat Assy.
39	KIT ONLY			Gasket—Needle Seat
40	7033751			Pull Clip—Float Needle
41	7044332			Float Assembly
42	7041469			Hinge Pin—Float Assembly
43	17051792			Power Piston Assembly Primary
44	7044068			Spring—Power Piston Primary
45	17053342	17053345	17053345	Metering Rod—Primary
46	7041459			Spring—Metering Rod—Primary
47	7044951			Filter Nut—Fuel Inlet
48	7024281			Gasket—Filter Nut
49	GF-471			Filter—Fuel Inlet
50	7032732			Spring Fuel Filter
51	7003176			Spring—Idle Stop Screw
52	7002121			Screw—Idle Stop
53	7041471			Insert—Float Bowl
54	7031365			Baffle—Float Bowl
55	7042979			Spring—Pump Return
56	7048871			Pump Assembly
57	7026138			Rod Pump
58	17051796			Insert—Aneroid & Cavity
—	7041473			Lever—Secondary Lockout
THROTTLE BODY PARTS				
59	17056909	17054435	17054435	Throttle Body Assembly
60	KIT ONLY			Gasket—Throttle Body
61	7035790			Screw—Throttle Body
62	7048532			Idle Needle
63	7011479			Spring—Idle Needle
64	7041497			Lever—Cam Follower
65	17051494			Spring—Cam Lever
66	7041498			Fast Idle Lever
67	7036079			Screw—Fast Idle Lever Attaching
68	7044794			Screw—Fast Idle Adjusting
69	7029900			Spring—Fast Idle Screw
70	498796			Gasket—Flange



Delco Carburetor

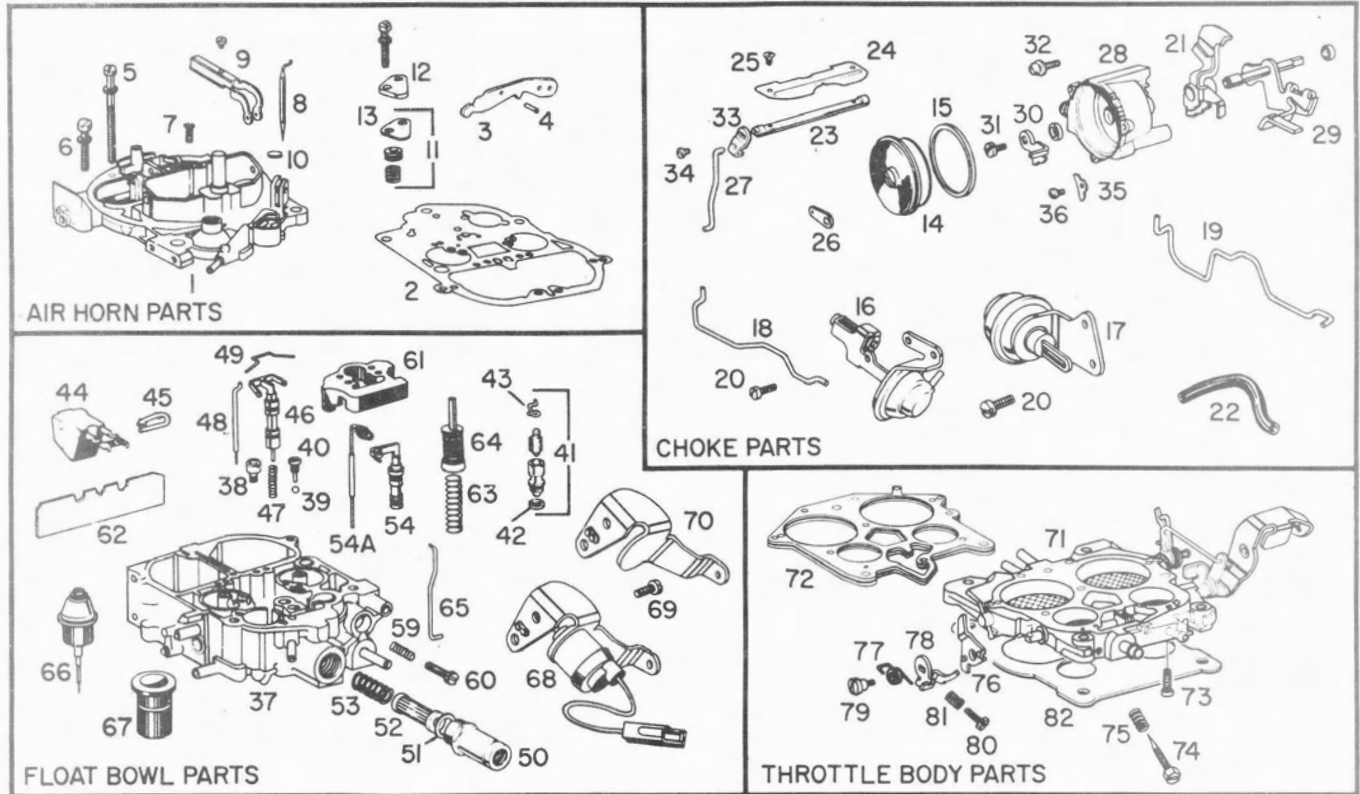
MODEL M4MC QUADRAJET

1977 PONTIAC, LEMANS, GRAND PRIX & FIREBIRD

BULLETIN: 9C-6096
DATE: NOVEMBER 1976
PAGE: 1

400-403 CUBIC INCH ENGINE

PARTS SHOWN ARE FOR IDENTIFICATION ONLY. CONSULT PARTS LIST FOR CORRECT PART NAME AND NUMBER



PARTS IN ALL COLUMNS SAME — EXCEPT WHERE INDICATED

FEDERAL 403 CU. IN. B-BODY (EARLY)	FEDERAL 403 CU. IN. B-BODY (EARLY)	FEDERAL 400 CU. IN. B-BODY (LATE)	ALTITUDE 403 CU. IN. LEMANS PONTIAC GRAND PRIX FIREBIRD A/C NON A/C AUTO. TRANS.	CALIF. 403 CU. IN. LEMANS PONTIAC GRAND PRIX FIREBIRD NON A/C AUTO. TRANS.	CALIF. 403 CU. IN. LEMANS PONTIAC GRAND PRIX FIREBIRD AIR COND. AUTO. TRANS.	APPLICATION
NON A/C AUTO. TRANS.	AIR COND. AUTO. TRANS.	A/C NON A/C AUTO. TRANS.	A/C NON A/C AUTO. TRANS.	NON A/C AUTO. TRANS.	AIR COND. AUTO. TRANS.	CARBURETOR No.
17057255	17057256	17057274	17057258	17057550	17057553	REPLACEMENT PKG. No.
24-5026	24-5026	24-6069	24-5020	24-5023	24-5023	OVERHAUL KIT
17055223	17055223	17052888	17055183	17055220	17055220	POWER CARB. KIT
9319	9319	9295	9319	9319	9319	GASKET SET
40-454	40-454	40-446	40-454	40-454	40-454	

Illus. No.	AIR HORN PARTS						APPLICATION
1	17055216	17055216	17052881	17055179	17055179	17055179	Air Horn Assembly
2	17051797						Gasket—Air Horn
3	7048169						Lever—Pump Actuating
4	9428787						Roll Pin—Pmp. & Lckt. Lvr. Hng.
5	7029912						Screw—Air Horn
6	7014699						Screw—Air Horn
7	7031105						Screw—Air Horn
8	7045984	7045984	7047806	7045984	7045984	7045984	Metering Rod—Secondary
9	7034522						Sec. Mtring. Rod Holder Kit
—	7035344						Air Vlv. Spring & Cam Kit
10	—						Plug—Idle Vent
11	—						Idle—Vent Valve Kit
12	—						Cover—Idle Vent
13	—						Gasket—Idle Vent Cover
CHOKE PARTS							
14	17054309	17054309	17051956	17054309	17054309	17054309	Stat Cover, Coil & Gskt. Assy.
15	17050961						Gasket—Start Cover
16	7044435	7044435	17054572	7044435	7044435	7044435	Vac. Brk. Con. & Brkt. Assy.
17	7044433	7044433	7043497	7044431	7044431	7044431	Aux.—Vac. Brk. Con. Brkt. Assy.

CO, WD, 131, 132:16, 9X, 9FR

PRINTED IN U.S.A.
©1976 GENERAL MOTORS CORP.

	17057255	17057256	17057274	17057258	17057550	17057553	CARBURETOR No.
CHOKE PARTS (Continued)							
18	7041527						Rod—Vacuum Break
19	7043466	7043466	7043393	7043466	7043466	7043466	Link—Aux. Vac. Break
—	7043682						Screw—Aux. Vac. Brk. Mntng.
20	17050732						Screw—Control Attaching
21	17056631	17056631	7041484	17056632	17056632	17056632	Cam—Fast Idle
22	7026339						Hose—Vacuum
23	7038259						Choke Shaft
24	7048904	7048904	7041558	7048904	7048904	7048904	Choke Valve
25	7029866						Screw—Choke Valve
26	7031231						Lever—Inter. Choke
27	7041472	7041472	17056305	7041472	7041472	7041472	Rod—Choke
28	17055095	17055095	17051996	17055095	17051955	17051955	Choke Housing Kit
29	7041492	7041492	17050754	7041492	7041492	7041492	Inter. Chk. Shft. & Lvr. Assy.
—	7037569						Seal—Inter. Choke Shaft
—	7043367						Seal—Choke Hsg. to Bowl
30	7043368						Lever—Stat Coil
31	7019709						Screw—Coil Lever
32	7038808						Screw—Choke Hsg. to Bowl
33	7041542						Lever—Choke
34	7029866						Screw—Choke Lever
35	7000614						Retainer—Stat Cover
36	7011270						Screw—Stat Cover
FLOAT BOWL PARTS							
37	17055217	17055217	17055211	17055217	17055222	17055222	Float Bowl Assembly
38	7031973	7031973	7031971	7031970	7031974	7031974	Jet—Primary
39	7002117						Ball—Pump Discharge
40	7029849						Retainer—Pump Disch. Ball
41	30-134	30-134	30-148	30-134	30-134	30-134	Needle & Seat Assy.
42	KIT ONLY						Gasket—Needle Seat
43	7033751						Pull Clip—Float Needle
44	7046300	7046300	7044332	7046300	7046300	7046300	Float Assembly
45	7041469						Hinge Pin—Float Assy.
46	7044449	7044449	17051792	7044449	7044449	7044449	Power Piston Assy.
47	7045195	7045195	7044068	17051705	17051705	17051705	Sprg.—Pwr. Piston—Primary
—	—						Spring—Pwr. Piston—Aux.
48	17051349	17051349	17053345	17056949	17056950	17056950	Metering Rod—Primary
49	7041459						Sprg.—Mtring. Rod—Primary
50	7044951						Filter Nut—Fuel Inlet
51	7024281						Gasket—Filter Nut
52	GF-471						Filter—Fuel Inlet
53	7032732						Spring Fuel Filter
54	—						Aux. Pwr. Piston Assy.
—	7041473						Lvr.—Secondary Lockout
55	—						Idle Compensator Assy.
56	—						Gasket—Idle Compensator
57	—						Cover—Idle Compensator
58	—						Screw—Cover Attaching
59	7003176						Spring—Idle Stop Screw
60	7002121						Screw—Idle Stop
61	7041471						Insert—Float Bowl
62	7031365						Baffle—Float Bowl
63	7042979						Spring Pump Return
64	17053072	17053072	7048871	17053072	17053072	17053072	Pump Assembly
65	7026138						Rod—Pump
66	—						A.P.T. Rod Assembly
67	7044330	7044330	17051796	7044330	7044330	7044330	Aneroid Insert
68	NONE	7043619	NONE	7043619	NONE	7043619	Solenoid & Bracket Assy.
69	7043682	7043682	NONE	7043682	7043682	7043682	Screw—Bracket Attaching
70	7043617	NONE	NONE	NONE	7043617	NONE	Bracket—Thr. Return Spring
THROTTLE BODY PARTS							
71	17054087	17054087	17054435	17070001	17054087	17054087	Throttle Body Assembly
72	KIT ONLY						Gasket—Throttle Body
73	7035790						Screw—Throttle Body
74	7048532						Idle Needle
75	7011479						Spring—Idle Needle
76	7041497						Lever—Cam Follower
77	17051494						Spring—Cam Lever
78	7041498						Fast Idle Lever
79	7036079						Screw—Fast Idle Lever
80	7044794						Screw—Fast Idle Adjusting
81	7029900						Spring—Fast Idle Screw
82	419047	419047	498796	419047	419047	419047	Gasket—Flange



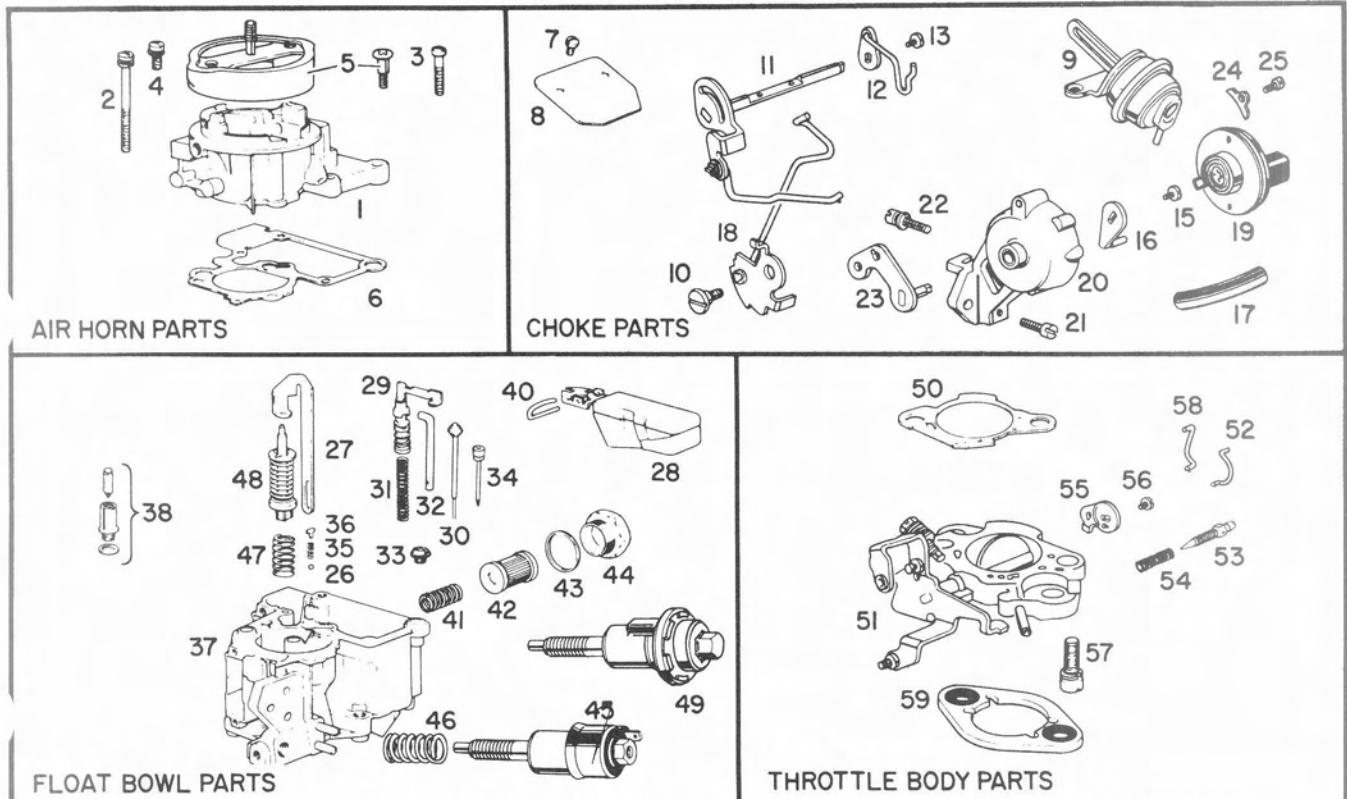
Delco Carburetor

MODEL 1ME MONOJET

1978 PONTIAC ACADIAN (CANADA ONLY)
97.6 CUBIC INCH "4"

BULLETIN: 9C-6097
DATE: NOVEMBER 1977
PAGE: 1

PARTS SHOWN ARE FOR IDENTIFICATION ONLY. CONSULT PARTS LIST FOR CORRECT PART NAME AND NUMBER



PARTS IN ALL COLUMNS SAME — EXCEPT WHERE INDICATED

	AUTO. TRANS.	4-SPEED MAN. TRANS.	APPLICATION
	17058034	17058035	CARBURETOR No. (Non Air Cond.)
	17058032	17058035	CARBURETOR No. (Air Cond.)
	21-3168	21-3167	REPLACEMENT PACKAGE No.
	17055968		OVERHAUL KIT
	9357		POWER CARBURETOR KIT
	40-475		GASKET SET

Illus. No.	AIR HORN PARTS		
1	17060434		Air Horn Assembly
2	7043089		Screw—Air Horn (Long) (3)
3	7030917		Screw—Air Horn (Short) (2)
4	7043088		Screw—Air Horn (1)
5	17053835		Air Cleaner Adapter & Screw
6	7037591		Gasket—Air Horn
	CHOKE PARTS		
7	7020926		Screw—Choke Valve (2)
8	7049918		Choke Valve
9	7045561		Vacuum Brk. Control Assy. Bowl Side
10	7003561		Screw—Cam Attaching
11	7044437		Choke Shaft Lever & Link Assembly
12	7044447		Vac. Brk. Lever & Link Assy.
13	7019709		Screw—Vac. Brk. Lever Attaching
14	—		
15	7019709		Screw—Stat Lever Attaching
16	7044088		Lever—Stat Coil
17	7026339		Hose—Vacuum Break
18	17054834		Cam & Link Assy.

	17058034	17058035	CARBURETOR No. (Non Air Cond.)
	17058032	17058035	CARBURETOR No. (Air Cond.)
CHOKE PARTS (Continued)			
Illus. No.			
19	17056750		Electric Stat Cover & Coil Assy.
20	7044199		Choke Housing & Bearing Assy.
21	17051625		Screw—Choke Housing To Bowl (1)
22	17051626		Screw—Choke Housing To Bowl (2)
23	17051637		Choke Coil Lever & Shaft Assy.
24	7000614		Retainer—Choke Cover (3)
25	7011270		Screw—Choke Cover (3)
FLOAT BOWL PARTS			
26	7002117		Ball—Pump Discharge
27	17056474		Lever—Pump Actuating
28	17051624		Float Assembly
29	17051619		Power Piston Assembly
30	17053550		Metering Rod & Spring Assembly
31	7044003		Spring—Power Piston
32	7044005		Rod—Power Piston
33	17053546		Jet—Main Metering
34	17053628		Idle Tube Assembly
35	7002118		Spring—Pump Discharge
36	7003838		Guide—Pump Discharge
37	17055569		Float Bowl Assembly
38	30-153		Needle & Seat Assembly
39	KIT ONLY		Gasket—Needle Seat
40	7034032		Hinge Pin—Float
41	7032732		Spring—Fuel Filter
42	GF-470		Filter—Fuel Inlet
43	7032508		Gasket—Filter Nut
44	7038946		Filter Nut—Fuel Inlet
45	7040219		Solenoid—Idle Stop
46	7040519		Spring—Solenoid Locking
47	7004597		Spring—Pump Return
48	7048801		Pump Assembly
THROTTLE BODY PARTS			
50	KIT ONLY		Gasket—Throttle Body
51	17060393	17060392	Throttle Body Assembly
52	7024214		Link—Power Rod
53	17056602		Idle Needle
54	7038989		Spring—Idle Needle
55	17051665		Lever—Pump & Power Rod
56	7010435		Screw—Lever Attaching
57	7043087		Screw—Throttle Body (2)
58	7035267		Link—Pump Lever
59	466347		Gasket—Flange



Delco Carburetor

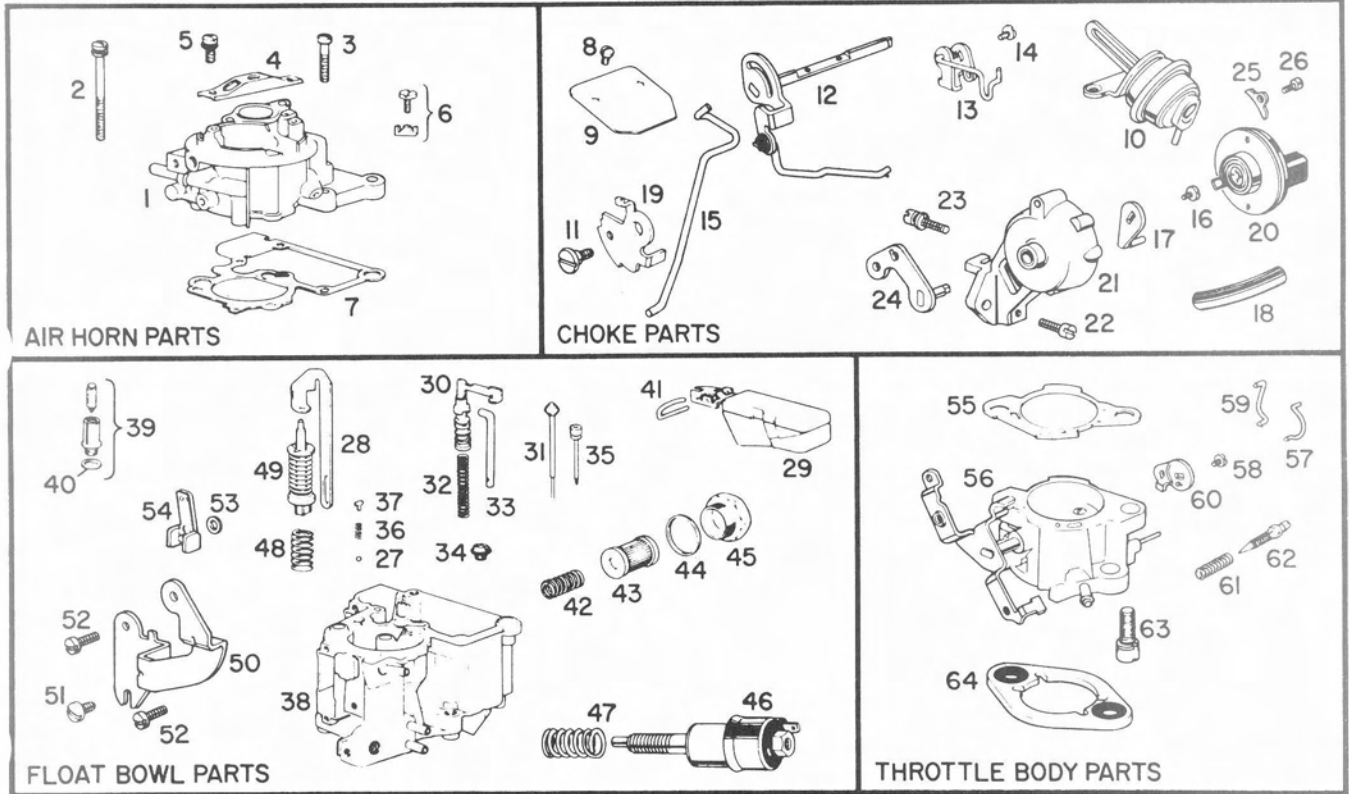
MODEL 1ME MONOJET

1978 PONTIAC
(CANADA ONLY)

250 CUBIC INCH ENGINE

BULLETIN: 9C-6098
DATE: NOVEMBER 1977
PAGE: 1

PARTS SHOWN ARE FOR IDENTIFICATION ONLY. CONSULT PARTS LIST FOR CORRECT PART NAME AND NUMBER



PARTS IN ALL COLUMNS SAME — EXCEPT WHERE INDICATED

	CANADA ONLY B-SEDAN	CANADA ONLY B-SEDAN Z-94-OPT NON A/C AUTO. TRANS.	
	17058014	17058026	CARBURETOR No.
	21-3162	21-3166	REPLACEMENT PACKAGE No.
	17055956	17055964	OVERHAUL KIT
	9347		POWER CARBURETOR KIT
	40-470		GASKET SET
Illus. No.	AIR HORN PARTS		
1	17060458		Air Horn Assembly
2	7043089		Screw—Air Horn (Long)
3	7030917		Screw—Air Horn (Short)
4	7043588		Bracket—Air Cleaner Stud
5	7042813		Screw—Bracket Attaching
—	7043088		Screw—Air Horn
7	17056453		Gasket—Air Horn
	CHOKE PARTS		
8	7020926		Screw—Choke Valve (2)
9	7049918		Choke Valve
10	7045064	17060446	Vac. Brk. Assy. Bowl Side
11	7003561		Screw—Cam Attaching
12	7044345		Choke Shaft Lever & Link Assembly
13	7044483		Vac. Brk. Lever & Link Assy.
14	7019709		Screw—Vac. Brk. Lever Attaching
15	7044261		Link—Cam
16	7019709		Screw—Stat Lever Attaching
17	7044091		Lever—Stat Coil

	17058014	17058026	CARBURETOR No.
Illus. No.	CHOKE PARTS (Continued)		
18	7026339		Hose Vacuum Break
19	17056841	17056872	Cam—Fast Idle
20	17058954		Electric Stat Cover & Coil Assy.
21	7044199		Choke Housing & Bearing Assy.
22	17051625		Screw—Choke Housing to Bowl (1)
23	17051626		Screw—Choke Housing to Bowl (2)
24	7044236		Choke Coil Lever & Shaft Assy.
25	7000614		Retainer—Choke Cover (3)
26	7011270		Screw—Choke Cover (3)
	FLOAT BOWL PARTS		
27	7002117		Ball—Pump Discharge
28	17056474		Lever—Pump Actuating
29	7037022		Float Assembly
30	7036066		Power Piston Assembly
31	17057916	7037979	Metering Rod & Spring Assembly
32	7012515		Spring—Power Piston
33	17055196		Rod—Power Piston Kit
34	7034210	7034216	Jet—Main Metering
35	17052340		Idle Tube Assembly
36	7002118		Spring—Pump Discharge
37	7003838		Guide—Pump Discharge
38	17055573	17055962	Float Bowl Assembly
39	30-156		Needle & Seat Assembly
40	KIT ONLY		Gasket—Needle Seat
41	7034032		Hinge Pin—Float
42	7032732		Spring—Fuel Filter
43	GF-470		Filter—Fuel Inlet
44	7032508		Gasket—Filter Nut
45	7038946		Filter Nut—Fuel Inlet
46	7043575		Solenoid—Idle Stop
47	—		Spring—Solenoid Locking
48	7041176		Spring—Pump Return
49	7037595		Pump Assembly
50	7044344		Bracket Thr. Return
51	17050024		Screw—Throttle Bracket (1)
52	7041287		Screw—Throttle Bracket (2)
53	7027970		Gasket—Idle Compensator
54	17060388		Idle Compensator
	THROTTLE BODY PARTS		
55	KIT ONLY		Gasket—Throttle Body
56	17058872	17060519	Throttle Body Assembly
57	7035267		Link—Pump Lever
58	7010435		Screw—Lever Attaching
59	17055196		Link—Power Piston Rod Kit
60	17055196		Lever—Pump and Power Rods Kit
61	7038989		Spring—Idle Needle
62	7048964		Idle Needle
63	7043087		Screw—Throttle Body
64	333977		Insulator—Flange



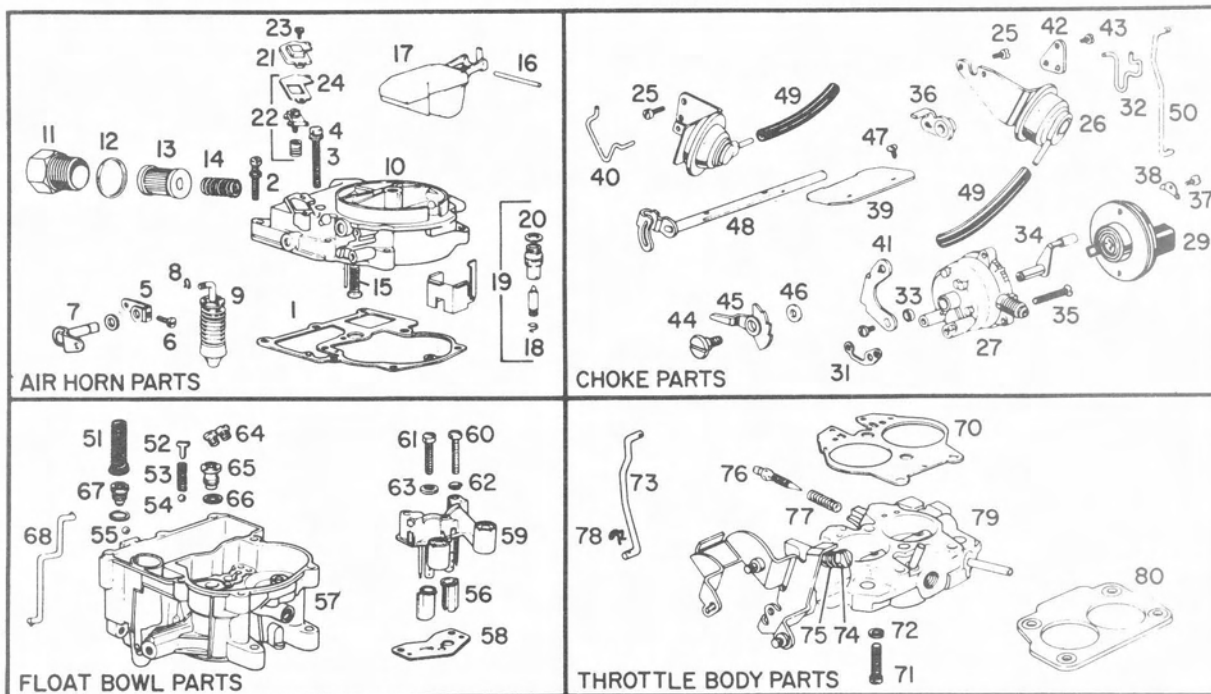
Delco Carburetor

MODEL 2GE CARBURETORS

1978 PONTIAC, LEMANS, FIREBIRD, PHOENIX & SUNBIRD
231 CUBIC INCH ENGINE V-6

BULLETIN 9C-6099
DATE: July, 1978
PAGE 1
Replaces 9C-6099
Dated November 1977

PARTS SHOWN ARE FOR IDENTIFICATION ONLY. CONSULT PARTS LIST FOR CORRECT PART NAME AND NUMBER



PARTS IN ALL COLUMNS SAME — EXCEPT WHERE INDICATED

	ALTITUDE PHOENIX	FEDERAL PONTIAC SED. FIREBIRD SUNBIRD PHOENIX	ALTITUDE PONTIAC LEMANS FIREBIRD PHOENIX SUNBIRD	FEDERAL PONTIAC FIREBIRD PHOENIX SUNBIRD A/C NON A/C B-SEDAN NON A/C AUTO TRANS	CANADA ONLY Z-94-OPT. PONTIAC SED. PHOENIX	APPLICATION
	A/C NON A/C 4-SPEED MAN TRANS	A/C NON A/C 3-4-5-SPEED MAN TRANS	A/C NON A/C AUTO TRANS	A/C NON A/C AUTO TRANS	A/C NON A/C AUTO TRANS	CARBURETOR No.
	17058141	17058145	17058147	17058182	17058182	REPLACEMENT PACKAGE No.
	22-1217	22-1205	22-1210	22-1222	22-1222	OVERHAUL KIT
	17055581	17065106	17055581	17055565	17055565	POWER CARB. KIT (NEO-tiP)
	9338	9338	9338	9336	9336	GASKET SET
	40-462					

Illus. No.	AIR HORN PARTS					
1	17050409					Gasket—Air Horn
2	7010432					Screw—Air Horn—Long
3	7006119					Screw—Air Horn—Short
4	—					Lockwasher—Air Horn Screw
5	7032377					Pump Lever—Inside
6	7011270					Screw—Pump Lever
7	17053815	17053815	17053815	17052510	17052510	Pump Shaft & Lever Kit
—	7019568					Washer—Pump Shaft
8	—					Clip—Pump
9	17057911	17057911	17057911	17058976	17058976	Pump Assembly
10	17065263	17055562	17065263	17055562	17055562	Air Horn Assembly
11	17051765					Filter—Nut—Fuel Inlet
12	7032508					Gasket—Filter Nut
13	GF-470					Filter—Fuel Inlet
14	7032732					Spring—Fuel Inlet Filter
15	7009718	7009054	7009718	7009054	7009054	Power Piston Assembly
16	7002081					Pin—Float Hinge
17	7037512					Float Assembly
18	—					Pull Clip—Float Needle
19	30-152					Needle & Seat Assy. (Neo-tiP)
20	KIT ONLY					Gasket—Needle Seat

	17058141	17058145	17058147	17058182	17058182	CARBURETOR No.
Illus. No.	AIR HORN PARTS (Continued)					
21	17050272					Cover—Idle Vent
22	17052733					Idle Vent Valve Kit
23	7015127					Screw—Idle Vent Valve Cover (2)
24	17053051					Gasket—Idle Vent
CHOKE PARTS						
25	7037570					Screw—Control Attaching
26	7043585					Vac. Brk. Cont. & Brkt. Assy. Thr. Side
—	7049893					Aux. Vac. Brk. Cont. Assy. Choke Side
27	17054720					Choke Housing
28	—					Baffle Plate
29	17054594	17060913	17054594	17058794	17058794	Electric Stat Cover & Coil Assy.
30	—					Gasket—Stat Cover
31	7037796					Gasket—Choke Housing
32	7038874					Link—Vacuum Break
33	—					Dust Seal—Inter. Choke Shaft
34	7037227					Intermediate Choke Shaft Assy.
35	7013704					Screw—Choke Housing
36	7030796					Lever—Choke Shaft
37	7011270					Screw—Stat Cover
38	7000614					Retainer—Stat Cover
39	7033443					Choke Valve
40	7043157					Link—Aux. Vac. Break
41	7030990					Intermediate Choke Lever
42	7047882					Choke Lever
43	7019709					Screw—Choke Levers
44	7036222					Screw—Cam Attaching
45	17060838	17051250	17060838	17051250	17051250	Cam—Fast Idle
46	—					Washer—Cam
47	7007627					Screw—Choke Valve
48	17050404					Choke Shaft
49	7026339					Hose—Vacuum
50	7043278					Choke Rod Intermediate
FLOAT BOWL PARTS						
51	17050241					Spring—Pump Return
52	KIT ONLY					Guide—Pump Discharge
53	7002118					Spring—Pump Discharge
54	7002117					Ball—Pump Discharge
55	17050240					Ball—Pump Inlet Check
56	7037286					Insert—Main Well
57	17055596	17065037	17055596	17055583	17055583	Float Bowl Assembly
58	KIT ONLY					Gasket—Venturi Cluster
59	17060949	17060943	17060949	17060310	17060310	Venturi Cluster Assembly
60	7045762					Screw—Cluster—Outer
61	7009077					Screw—Cluster—Center
62	—					Lockwasher—Outer Screw
63	KIT ONLY					Gasket—Center Screw
64	7002651	7002648	7002651	7002651	7002651	Jet—Standard
65	17053646	17059870	17053646	17059870	17059870	Power Valve Assembly (Vacuum)
66	KIT ONLY					Gasket—Power Valve
67	17050246					Aux. Power Valve (Mechanical)
68	7043001					Aux. Choke Rod
69	17052388	17052388	17052388	NONE	NONE	Solenoid—Idle Stop
—	7043682	7043682	7043682	NONE	NONE	Screw—Solenoid Bracket
—	7042654	7042654	7042654	NONE	NONE	Nut—Solenoid Retaining
—	7042653	7042653	7042653	NONE	NONE	Washer—Tab Locking
—	17061045	17061045	17061045	NONE	NONE	Bracket & Washer Assy. Solenoid
THROTTLE BODY PARTS						
70	KIT ONLY					Gasket—Throttle Body
71	7015105					Screw—Throttle Body
72	—					Lockwasher—Throttle Body
73	7038799					Pump Rod
74	7029427					Idle Speed Screw
75	7029428					Spring—Idle Speed Screw
76	17057983					Idle Needle
77	7011479					Spring—Idle Needle
78	7018186					Clip—Pump Rod
79	17065049	17055585	17065049	17055597	17055597	Throttle Body Assembly
80	1257135					Flange Gasket



Delco Carburetor

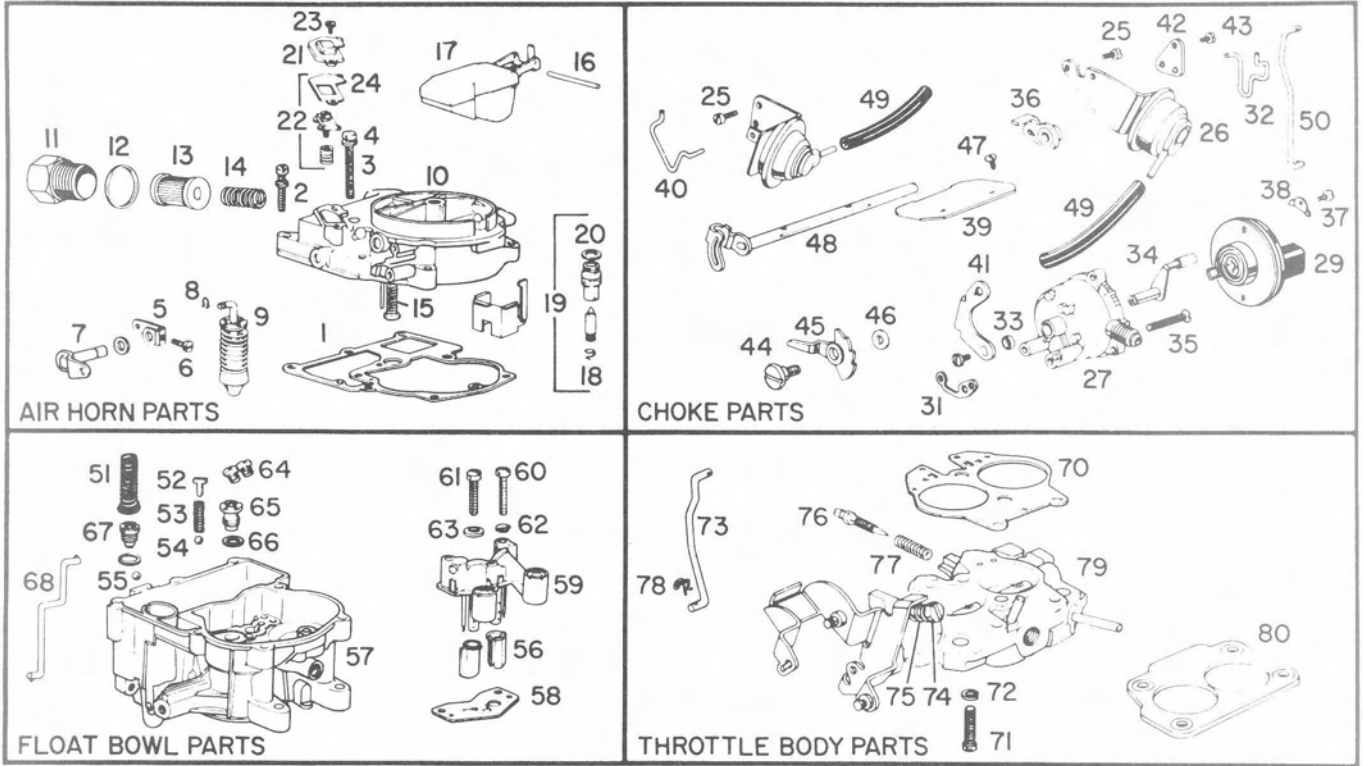
MODEL 2GE CARBURETORS

1978 - PONTIAC, LEMANS, FIREBIRD, SUNBIRD & PHOENIX

BULLETIN 9C-6099A
 DATE: July, 1978
 PAGE 1
 Replaces 9C-6099A
 Dated November 1977

231 CUBIC INCH ENGINE V-6 (2ND TYPE)

PARTS SHOWN ARE FOR IDENTIFICATION ONLY. CONSULT PARTS LIST FOR CORRECT PART NAME AND NUMBER



PARTS IN ALL COLUMNS SAME — EXCEPT WHERE INDICATED

	FEDERAL LEMANS FIREBIRD SUNBIRD A/C NON A/C AUTO. TRANS.	CANADA ONLY LEMANS SEDAN Z-94-OPT. A/C NON A/C AUTO. TRANS.	FEDERAL PONTIAC SEDAN AIR COND. AUTO. TRANS.	FEDERAL PONTIAC-SED. NON A/C PHOENIX A/C NON A/C AUTO. TRANS.	CANADA ONLY PHOENIX Z-94-OPT. A/C NON A/C AUTO. TRANS.	APPLICATION
	17058185	17058185	17058187	17058189	17058189	CARBURETOR No.
	22-1222	22-1222	22-1222	22-1222	22-1222	REPLACEMENT PKG. No.
	17065193	17065193	17065165	17065165	17065165	OVERHAUL KIT
	9336	9336	9338	9338	9338	POWER CARB. KIT (NEO-tiP)
	40-462					GASKET SET

Illus. No.	AIR HORN PARTS					
1	17050409					Gasket—Air Horn
2	7010432					Screw—Air Horn—Long
3	7006119					Screw—Air Horn Short
4	—					Lockwasher—Air Horn Screw
5	7032377					Pump Lever—Inside
6	7011270					Screw—Pump Lever
7	17052510	17052510	17053815	17053815	17053815	Pump Shaft & Lever Kit
—	7019568					Washer—Pump Shaft
8	—					Clip—Pump
9	17058976	17058976	17057911	17057911	17057911	Pump Assembly
10	17055562					Air Horn Assembly
11	17051765					Filter Nut—Fuel Inlet
12	7032508					Gasket—Filter Nut
13	GF-470					Filter—Fuel Inlet
14	7032732					
15	7009054	7009054	7037811	7037811	7037811	Power Piston Assembly
16	7002081					Pin—Float Hinge

	17058185	17058185	17058187	17058189	17058189	CARBURETOR No.
AIR HORN PARTS (Continued)						
Illus. No.						
17	7037512					Float Assembly
18	—					Pull Clip—Float Needle
19	30-152					Needle & Seat Assy. (Neo-tiP)
20	KIT ONLY					Gasket—Needle Seat
21	17050272					Cover—Idle Vent
22	17052733					Idle Vent Valve Kit
23	7015127					Screw—Idle Vent Vlv. Cvr. (2)
24	17053051					Gasket—Idle Vent
CHOKE PARTS						
25	7037570					Screw—Control Attaching
26	7043585					Vac. Brk. Con. & Brkt. Assy. Thr. Side
—	7049893					Aux. Vac. Brk. Cont. Assy. Choke Side
27	17054720					Choke Housing
28	—					Baffle Plate
29	17058794					Elec. Stat Cover & Coil Assy.
30	—					Gasket—Stat Cover
31	7037796					Gasket—Choke Housing
32	7038874					Link—Vacuum Break
33	—					Dust Seal—Inter. Choke Shaft
34	7037227					Inter. Choke Shaft Assy.
35	7013704					Screw—Choke Housing
36	7030796					Lever—Choke Shaft
37	7011270					Screw—Stat Cover
38	7000614					Retainer—Stat Cover
39	7033443					Choke Valve
40	7043157					Link—Aux. Vac. Break
41	7030990					Intermediate Choke Lever
42	7047882					Choke Lever
43	7019709					Screw—Choke Levers
44	7036222					Screw—Cam Attaching
45	17051489					Cam—Fast Idle
46	—					Washer—Cam
47	7007627					Screw—Choke Valve
48	17050404					Choke Shaft
49	7026339					Hose—Vacuum
50	7043278					Choke Rod Intermediate
FLOAT BOWL PARTS						
51	17050241					Spring—Pump Return
52	KIT ONLY					Guide—Pump Discharge
53	7002118					Spring—Pump Discharge
54	7002117					Ball—Pump Discharge
55	17050240					Ball—Pump Inlet Check
56	7037286					Insert—Main Well
57	17065190					Float Bowl Assembly
58	KIT ONLY					Gasket—Venturi Cluster
59	17062241	17062241	17061308	17061308	17061308	Venturi Cluster Assembly
60	7045762					Screw—Cluster—Outer
61	7009077					Screw—Cluster—Center
62	—					Lockwasher—Outer Screw
63	KIT ONLY					Gasket—Center Screw
64	7002649					Jet—Standard
65	17053647	17053647	17060432	17060432	17060432	Pwr. Vlv. Assy.—Vacuum
66	KIT ONLY					Gasket—Power Valve
67	17050246					Aux. Pwr. Valve—Mechanical
68	7043001					Aux. Choke Rod
69	NONE	NONE	17052388	NONE	NONE	Solenoid—Idle Stop
—	NONE	NONE	7043682	NONE	NONE	Screw—Solenoid Bracket
—	NONE	NONE	7042654	NONE	NONE	Nut—Solenoid Retaining
—	NONE	NONE	7042653	NONE	NONE	Washer—Tab Locking
—	NONE	NONE	17061045	NONE	NONE	Brkt. & Washer Assy. Solenoid
THROTTLE BODY PARTS						
70	KIT ONLY					Gasket—Throttle Body
71	7015105					Screw—Throttle Body
72	—					Lockwasher—Throttle Body
73	7038799					Pump Rod
74	7029427					Idle Speed Screw
75	7029428					Spring—Idle Speed Screw
76	17057983					Idle Needle
77	7011479					Spring—Idle Needle
78	7018186					Clip—Pump Rod
79	17065196					Throttle Body Assembly
80	1257135					Flange Gasket

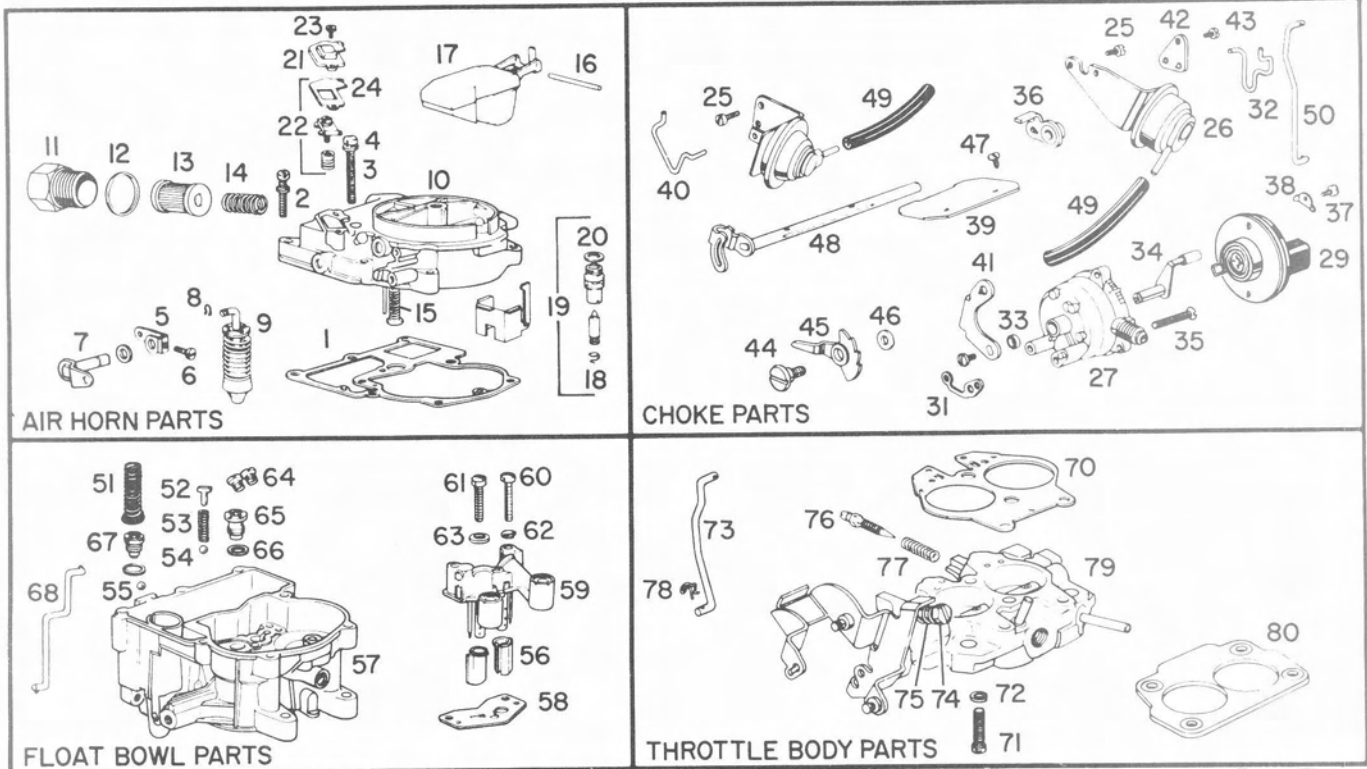


Delco Carburetor

MODEL 2GE CARBURETORS
1978 PONTIAC, LEMANS, FIREBIRD, PHOENIX & SUNBIRD
231 CUBIC INCH ENGINE V-6

BULLETIN: 9C-6100
DATE: NOVEMBER 1977
PAGE: 1

PARTS SHOWN ARE FOR IDENTIFICATION ONLY. CONSULT PARTS LIST FOR CORRECT PART NAME AND NUMBER



PARTS IN ALL COLUMNS SAME — EXCEPT WHERE INDICATED

	FEDERAL PONTIAC SEDAN	CALIFORNIA PONTIAC SEDAN NON A/C PHOENIX A/C NON A/C AUTO TRANS	CALIFORNIA PONTIAC SEDAN AIR COND. AUTO TRANS	CALIFORNIA SUNBIRD A/C NON A/C 4-5-SPEED MAN TRANS	CALIFORNIA LEMANS FIREBIRD SUNBIRD A/C NON A/C AUTO TRANS	APPLICATION
	17058183	17058444	17058446	17058447	17058448	CARBURETOR No.
	22-1212	22-1213	22-1214	22-1209	22-1215	REPLACEMENT PACKAGE No.
	17055565	17065050	17065050	17055677	17055603	OVERHAUL KIT
	9336	9338	9338	9338	9338	POWER CARB. KIT (NEO-tiP)
	40-462					GASKET SET

Illus. No.	AIR HORN PARTS					
1	17050409					Gasket—Air Horn
2	7010432					Screw—Air Horn—Long
3	7006119					Screw—Air Horn—Short
4	—					Lockwasher—Air Horn Screw
5	7032377					Pump Lever—Inside
6	7011270					Screw—Pump Lever
7	17052510	17053815	17053815	17053815	17052510	Pump Shaft & Lever Kit
—	7019568					Washer—Pump Shaft
8	—					Clip—Pump
9	17058976	17057911	17057911	17057911	17057911	Pump Assembly
10	17055562	17055587	17055587	17055587	17055587	Air Horn Assembly
11	17051765					Filter Nut—Fuel Inlet
12	7032508					Gasket—Filter Nut
13	GF-470					Filter—Fuel Inlet
14	7032732					Spring—Fuel Inlet Filter
15	7009054	7009054	7009054	7035603	7006323	Power Piston Assembly
16	7002081					Pin—Float Hinge
17	7037512					Float Assembly
18	—					Pull Clip—Float Needle
19	30-152					Needle & Seat Assy. (Neo-tiP)
20	KIT ONLY					Gasket—Needle Seat

	17058183	17058444	17058446	17058447	17058448	CARBURETOR No.
Illus. No.	AIR HORN PARTS (Continued)					
21	17050272					Cover—Idle Vent
22	17052733					Idle Vent Valve Kit
23	7015127					Screw—Idle Vent Valve Cover (2)
24	17053051					Gasket—Idle Vent
CHOKE PARTS						
25	7037570					Screw—Control Attaching
26	7043585					Vac. Brk. Cont. & Brkt. Assy. Thr. Side
—	7049893					Aux. Vac. Brk. Cont. Assy. Choke Side
27	17054720					Choke Housing
28	—					Baffle Plate
29	17058794	17054594	17054594	17054594	17054594	Electric Stat Cover & Coil Assy.
30	—					Gasket—Stat Cover
31	7037796					Gasket—Choke Housing
32	7038874					Link—Vacuum Break
33	—					Dust Seal—Inter. Choke Shaft
34	7037227					Intermediate Choke Shaft Assy.
35	7013704					Screw—Choke Housing
36	7030796					Lever—Choke Shaft
37	7011270					Screw—Stat Cover
38	7000614					Retainer—Stat Cover
39	7033443					Choke Valve
40	7043157					Link—Aux. Vac. Break
41	7030990					Intermediate Choke Lever
42	7047882					Choke Lever
43	7019709					Screw—Choke Levers
44	7036222					Screw—Cam Attaching
45	17051250	17060838	17060838	17060838	17060838	Cam—Fast Idle
46	—					Washer—Cam
47	7007627					Screw—Choke Valve
48	17050404					Choke Shaft
49	7026339					Hose—Vacuum
50	7043278					Choke Rod Intermediate
FLOAT BOWL PARTS						
51	17050241					Spring—Pump Return
52	7000286					Guide—Pump Discharge
53	7002118					Spring—Pump Discharge
54	7002117					Ball—Pump Discharge
55	17050240					Ball—Pump Inlet Check
56	7037286					Insert—Main Well
57	17055583	17055598	17055598	17065051	17055602	Float Bowl Assembly
58	KIT ONLY					Gasket—Venturi Cluster
59	17060310	17060498	17060498	17060670	17060503	Venturi Cluster Assembly
60	7045762					Screw—Cluster—Outer
61	7009077					Screw—Cluster—Center
62	—					Lockwasher—Outer Screw
63	KIT ONLY					Gasket—Center Screw
64	7002651	7002654	7002655	7002652	7002655	Jet—Standard
65	17059870	17053646	17053646	17053647	17056683	Power Valve Assembly (Vacuum)
66	KIT ONLY					Gasket—Power Valve
67	17050246	17050246	17050246	17050246	17051201	Aux. Power Valve (Mechanical)
68	7043001					Aux. Choke Rod
69	17052388	NONE	17052388	17052388	NONE	Solenoid—Idle Stop
—	7043682	NONE	7043682	7043682	NONE	Screw—Solenoid Bracket
—	7042654	NONE	7043654	7042654	NONE	Nut—Solenoid Retaining
—	7042653	NONE	7042653	7042653	NONE	Washer—Tab Locking
—	17061045	NONE	17061045	17061045	NONE	Bracket & Washer Assy. Solenoid
THROTTLE BODY PARTS						
70	KIT ONLY					Gasket—Throttle Body
71	7015105					Screw—Throttle Body
72	—					Lockwasher—Throttle Body
73	7038799					Pump Rod
74	7029427					Idle Speed Screw
74	7029428					Spring—Idle Speed Screw
76	17057983					Idle Needle
77	7011479					Spring—Idle Needle
78	7018186					Clip—Pump Rod
79	17055597	17055599	17055599	17055674	17055599	Throttle Body Assembly
80	1257135					Flange Gasket



Delco Carburetor

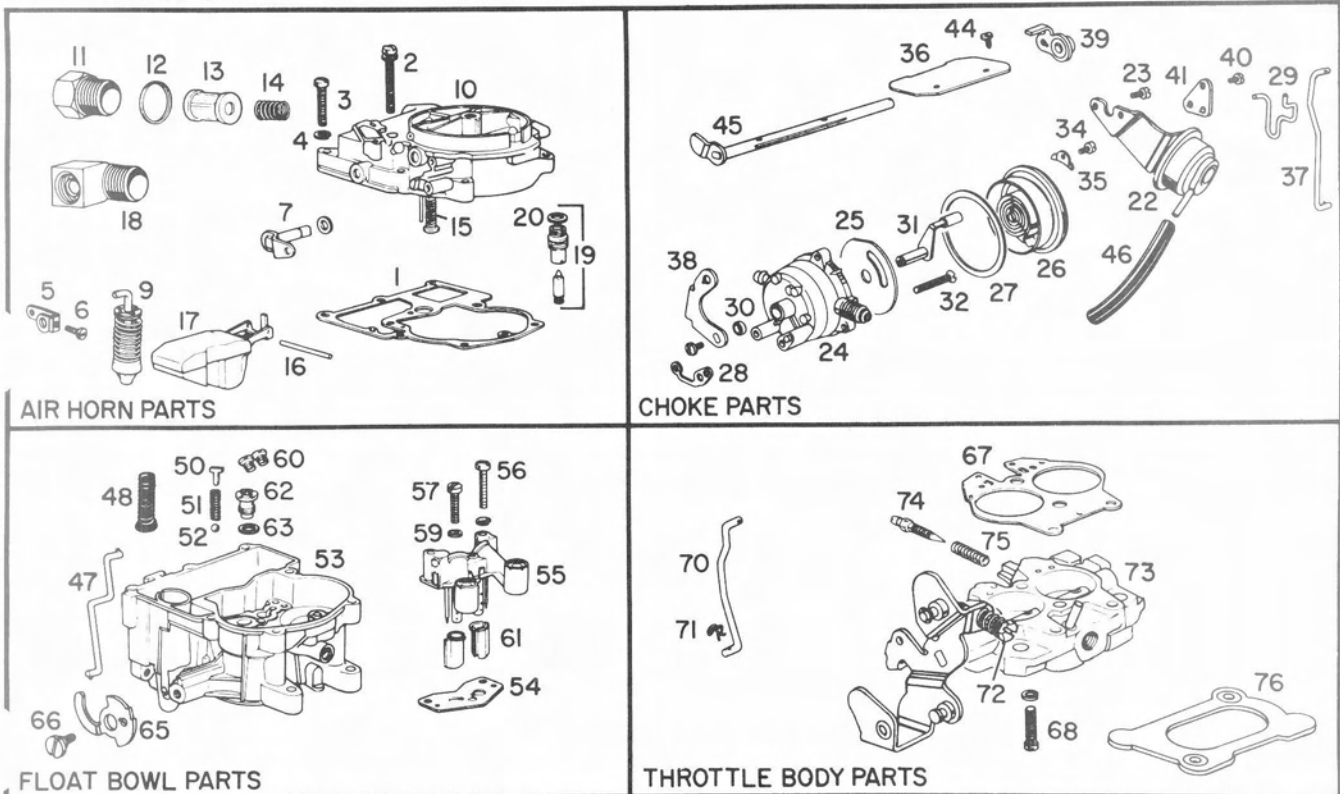
MODEL 2GC CARBURETORS

BULLETIN: 9C-6101
 DATE: NOVEMBER 1977
 PAGE: 1

1978 PONTIAC, LEMANS, FIREBIRD
 & PHOENIX (CANADA ONLY)

305 CUBIC INCH ENGINE

PARTS SHOWN ARE FOR IDENTIFICATION ONLY. CONSULT PARTS LIST FOR CORRECT PART NAME AND NUMBER



PARTS IN ALL COLUMNS SAME — EXCEPT WHERE INDICATED

	A-SEDAN B-SED. & WAG. PHOENIX Z-94-OPT. AIR COND. AUTO. TRANS..	A-SEDAN B-SED. & WAG. PHOENIX Z-94-OPT. NON A/C AUTO. TRANS.	FIREBIRD Z-94-OPT. AIR COND. AUTO. TRANS.	FIREBIRD Z-94-OPT. NON A/C AUTO. TRANS.	APPLICATION
	17058100	17058101	17058106	17058115	CARBURETOR No.
	22-3154	22-3154	22-3156	22-3156	REPLACEMENT PKG. No.
	17055338				OVERHAUL KIT
	9327				POWER CARBURETOR KIT
	40-448				GASKET SET
Illus. No.	AIR HORN PARTS				
1	7045671				Gasket—Air Horn
2	7010432				Screw—Air Horn—Long
3	7006119				Screw—Air Horn—Short
4	—				Lockwasher—Air Horn Screw
5	7032377				Pump Lever—Inside
6	7011270				Screw—Pump Lever
7	7044029				Pump Shaft & Lever Assembly
—	7019568				Washer—Pump Shaft
8	—				Clip—Pump
9	7036282				Pump Assembly
10	17055915	17055915	17055925	17055925	Air Horn Assembly
11	17051765	17051765	17053408	17053408	Filter Nut—Fuel Inlet
12	7032508				Gasket—Filter Nut
13	GF-470				Filter—Fuel Inlet
14	7032732	7032732	17051764	17051764	Spring—Fuel Inlet Filter
15	7009054				Power Piston Assembly
16	7002081				Pin—Float Hinge
17	7037512				Float Assembly
18	—	—	7044035	7044035	Elbow—Filter Nut

	17058100	17058101	17058106	17058115	CARBURETOR No.
Illus. No.	AIR HORN PARTS (Continued)				
19	30-152				Needle & Seat Assembly
20	KIT ONLY				Gasket—Needle Seat
CHOKE PARTS					
21	—				Vacuum Break Control Assembly
22	7044056				Vac. Brk. Cont. & Brkt. Assy. Ch. Side
23	7037570				Screw—Control Attaching
24	17055540				Choke Housing
25	7037239				Baffle Plate
26	17052654				Stat Cover, Coil & Gasket Assy.
27	17050961				Gasket—Stat Cover
28	7043291				Gasket—Choke Housing
29	7040239				Link—Vacuum Break
30	7037569				Dust Seal—Inter. Choke Shaft
31	7043289				Intermediate Choke Shaft Assy.
32	7043292				Screw—Choke Housing
33	—				Cam Lever & Bushing Assembly
34	7011270				Screw—Stat Cover
35	7000614				Retainer—Stat Cover
36	7033443				Choke Valve
37	17050270				Intermediate Choke Rod
38	17050266				Intermediate Choke Lever
39	17050766				Lever Choke
40	7019709				Screw—Choke Levers
41	17050271				Lever—Choke Shaft
42	—				
43	—				
44	7007627				Screw—Choke Valve
45	7047797				Choke Shaft Assy.
46	7026339				Hose—Vacuum
47	7043370				Choke Link
FLOAT BOWL PARTS					
48	7041141				Spring—Pump Return
49	7002120				Ball—Pump Inlet Check
—	—				Strainer—Pump Inlet
50	7000286				Guide—Pump Discharge
51	7002118				Spring—Pump Discharge
52	7002117				Ball—Pump Discharge
53	17055364				Float Bowl Assembly
54	KIT ONLY				Gasket—Venturi Cluster
55	17054520				Venturi Cluster Assembly
56	7045762				Screw—Venturi Cluster—Outer
57	7009077				Screw—Cluster—Center
58	—				Lockwasher—Outer Screws
59	KIT ONLY				Gasket—Center Screw
60	7002652	7002652	7002651	7002651	Jet—Standard
61	7040320				Insert—Main Well
62	7011989				Power Valve Assembly
63	KIT ONLY				Gasket—Power Valve
64					
65	7044039				Cam—Fast Idle
66	7036222				Screw—Cam Attaching
—	1997464	NONE	1997464	NONE	Solenoid—Idle Stop (See Note)
—	7042818	NONE	7042818	NONE	Bracket & Washer Assembly
—	7042654	NONE	7042654	NONE	Nut—Solenoid Retaining
—	7043682	NONE	7043682	NONE	Screw—Bracket Attaching
THROTTLE BODY PARTS					
67	KIT ONLY				Gasket—Throttle Body
68	7015105				Screw—Throttle Body
69	—				Lockwasher—Throttle Body Screws
70	7041249				Pump Rod
71	7018186				Clip—Pump Rod
72	7029427				Idle Stop Screw
—	7041519				Spring—Idle Stop Screw
73	17055917				Throttle Body Assembly
74	7048860				Idle Needle
75	7011479				Spring—Idle Needle
76	6271058				Insulator—Flange

Note: Solenoid Available Through Delco-Remy



Delco Carburetor

MODEL 2GC CARBURETORS

1978 PONTIAC LEMANS & SUNBIRD
(ALTITUDE)

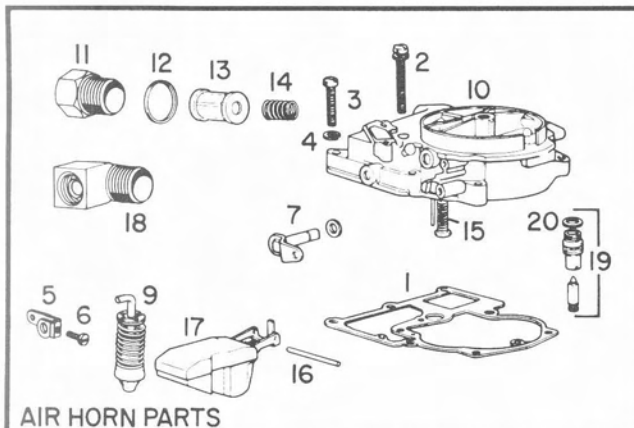
305 CUBIC INCH ENGINE

BULLETIN: 9C-6102

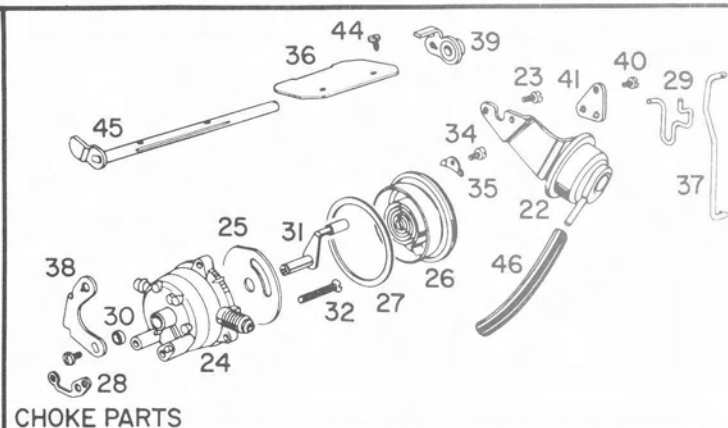
DATE: NOVEMBER 1977

PAGE: 1

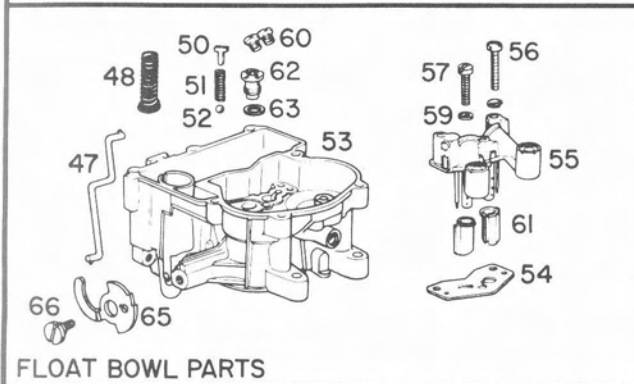
PARTS SHOWN ARE FOR IDENTIFICATION ONLY. CONSULT PARTS LIST FOR CORRECT PART NAME AND NUMBER



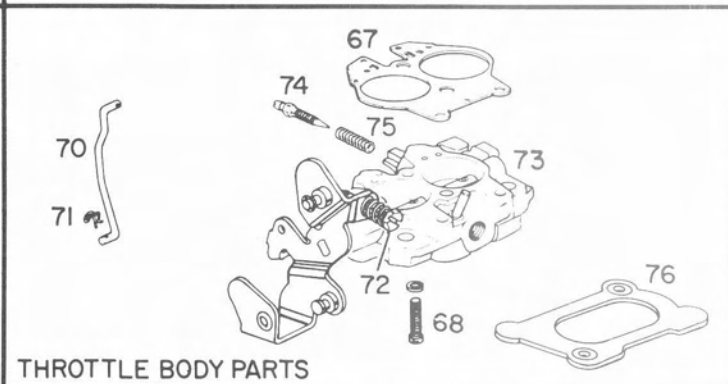
AIR HORN PARTS



CHOKE PARTS



FLOAT BOWL PARTS



THROTTLE BODY PARTS

PARTS IN ALL COLUMNS SAME — EXCEPT WHERE INDICATED

	SUNBIRD NON A/C AUTO. TRANS..	SUNBIRD AIR COND. AUTO. TRANS.	LEMANS SEDAN ASP. NON A/C AUTO. TRANS.	LEMANS SEDAN ASP. AIR COND. AUTO. TRANS.	APPLICATION
	17058102	17058103	17058126	17058128	CARBURETOR No.
	22-3149	22-3149	22-3162	22-3162	REPLACEMENT PKG. No.
	17055337	17055337	17055936	17055936	OVERHAUL KIT
	9325	9325	9356	9356	POWER CARBURETOR KIT
	40-456	40-456	40-448	40-448	GASKET SET
Illus. No.	AIR HORN PARTS				
1	17050409	17050409	7045671	7045671	Gasket—Air Horn
2	7010432				Screw—Air Horn—Long
3	7006119				Screw—Air Horn—Short
4	—				Lockwasher—Air Horn Screw
5	7032377				Pump Lever—Inside
6	7011270				Screw—Pump Lever
7	17050230				Pump Shaft & Lever Assembly
—	7019568				Washer—Pump Shaft
8	—				Clip—Pump
9	7046028				Pump Assembly
10	17055925				Air Horn Assembly
11	17053408				Filter Nut—Fuel Inlet
12	7032508				Gasket—Filter Nut
13	GF-470				Filter—Fuel Inlet
14	17051764				Spring—Fuel Inlet Filter
15	7009054				Power Piston Assembly
16	7002081				Pin—Float Hinge
17	7037512				Float Assembly
18	7044032	7044032	7044035	7044035	Elbow—Filter Nut

	17058102	17058103	17058126	17058128	CARBURETOR No.
Illus. No.	AIR HORN PARTS (Continued)				
19	30-152				Needle & Seat Assembly
20	KIT ONLY				Gasket—Needle Seat
CHOKE PARTS					
21	—				Vacuum Break Constrol Assembly
22	7044056				Vac. Brk. Cont. & Brkt. Assy. Ch. Side
23	7037570				Screw—Control Attaching
24	17055929				Choke Housing
25	7037239				Baffle Plate
26	17052654				Stat Cover, Coil & Gasket Assy.
27	17050961				Gasket—Stat Cover
28	7043291				Gasket—Choke Housing
29	7040239				Link—Vacuum Break
30	7037569				Dust Seal—Inter. Choke Shaft
31	7043289				Intermediate Choke Shaft Assy.
32	7043292				Screw—Choke Housing
33	—				Cam Lever & Bushing Assembly
34	7011270				Screw—Stat Cover
35	7000614				Retainer—Stat Cover
36	7033443				Choke Valve
37	17050270				Intermediate Choke Rod
38	17050266				Intermediate Choke Lever
39	17050766				Lever Choke
40	7019709				Screw—Choke Levers
41	17050271				Lever—Choke Shaft
42	—				
43	—				
44	7007627				Screw—Choke Valve
45	7047797				Choke Shaft Assy.
46	7026339				Hose—Vacuum
47	7043370				Choke Link
FLOAT BOWL PARTS					
48	7041141				Spring—Pump Return
49	7002120				Ball—Pump Inlet Check
—	—				Strainer—Pump Inlet
50	7000286				Guide—Pump Discharge
51	7002118				Spring—Pump Discharge
52	7002117				Ball—Pump Discharge
53	17055928				Float Bowl Assembly
54	KIT ONLY				Gasket—Venturi Cluster
55	17054520				Venturi Cluster Assembly
56	7045762				Screw—Venturi Cluster—Outer
57	7009077				Screw—Cluster—Center
58	—				Lockwasher—Outer Screws
59	KIT ONLY				Gasket—Center Screw
60	7002652				Jet—Standard (See Note)
61	7040320				Insert—Main Well
62	7011989				Power Valve Assembly
63	KIT ONLY				Gasket—Power Valve
64	—				
65	7044039				Cam—Fast Idle
66	7036222				Screw—Cam Attaching
—	NONE	7044300	NONE	*1997464	Solenoid—Idle Stop (See Note) *
—	NONE	7042818	NONE	7042818	Bracket & Washer Assembly
—	NONE	7042654	NONE	7042654	Nut—Solenoid Retaining
—	NONE	7043682	NONE	7043682	Screw—Bracket Attaching
THROTTLE BODY PARTS					
67	KIT ONLY				Gasket—Throttle Body
68	7015105				Screw—Throttle Body
69	—				Lockwasher—Throttle Body Screws
70	17050277				Pump Rod
71	7018186				Clip—Pump Rod
72	7029427				Idle Stop Screw
—	7041519				Spring—Idle Stop Screw
73	17055926				Throttle Body Assembly
74	7048860				Idle Needle
75	7011479				Spring—Idle Needle
76	6271058				Insulator—F lange

Note: Solenoid Available Through Delco-Remy



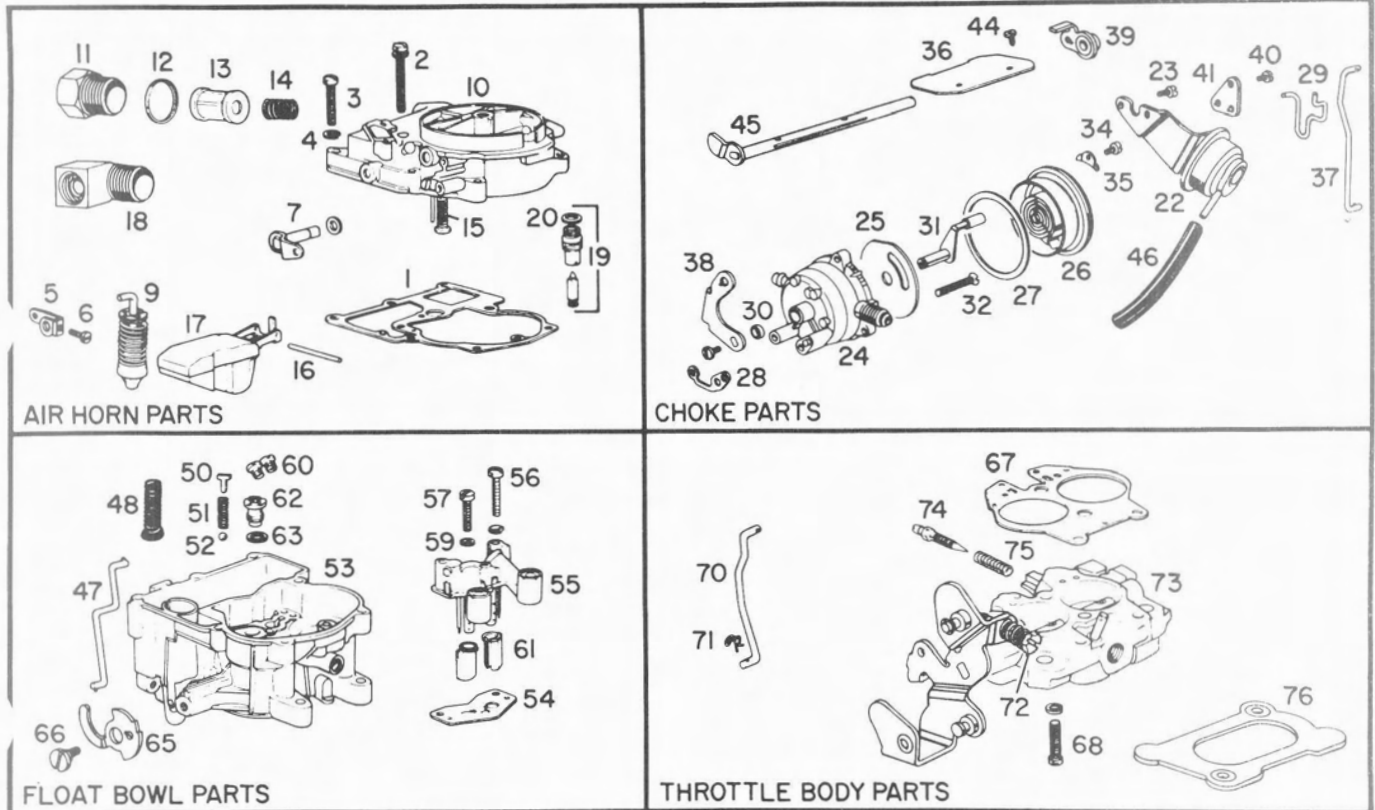
Delco Carburetor

MODEL 2GC CARBURETORS

BULLETIN: 9C-6103
 DATE: NOVEMBER 1977
 PAGE: 1

1978 PONTIAC, LEMANS, FIREBIRD,
 PHOENIX & SUNBIRD
 305 CUBIC INCH ENGINE

PARTS SHOWN ARE FOR IDENTIFICATION ONLY. CONSULT PARTS LIST FOR CORRECT PART NAME AND NUMBER



PARTS-IN ALL COLUMNS SAME — EXCEPT WHERE INDICATED

SUNBIRD NON A/C FED. A/T	SUNBIRD AIR COND. FED. A/T	SUNBIRD NON A/C FED. 4-SP. M/T	A-X B-SED. NON A/C FED. A/T	A-X B-SED. AIR COND. FED. A/T	FIREBIRD NON A/C FED. 4-SP. M/T	APPLICATION
17058104	17058105	17058107	17058108	17058110	17058111	CARBURETOR No.
22-3151	22-3151	22-3153	22-3158	22-3158	22-3155	REPLACEMENT PKG. No.
17055335	17055335	17055337	17055338	17055338	17055936	OVERHAUL KIT
9326	9326	9325	9327	9327	9356	POWER CARB. KIT
40-456	40-456	40-456	40-448	40-448	40-448	GASKET SET

Illus. No.	AIR HORN PARTS						
1	17050409	17050409	17050409	7045671	7045671	7045671	Gasket—Air Horn
2	7010432						Screw—Air Horn—Long
3	7006119						Screw—Air Horn—Short
4	—						Lockwasher—Air Horn Screw
5	7032377						Pump Lever—Inside
6	7011270						Screw—Pump Lever
7	7044029	7044029	17050230	7044029	7044029	17050230	Pump Shaft & Lever Assy.
—	7019568						Washer—Pump Shaft
8	—						Clip—Pump
9	7036282	7036282	7046028	7036282	7036282	7046028	Pump Assembly
10	17055925	17055925	17055925	17055915	17055915	17055925	Air Horn Assembly
11	17053408	17053408	17053408	17051765	17051765	17053408	Filter Nut—Fuel Inlet
12	7032508						Gasket—Filter Nut
13	GF-470						Filter—Fuel Inlet
14	17051764	17051764	17051764	7032732	7032732	17051764	Spring—Fuel Inlet Filter
15	7009054						Power Piston Assembly
16	7002081						Pin—Float Hinge
17	7037512						Float Assembly
18	7044032	7044032	7044032	NONE	NONE	7044035	Elbow—Filter Nut

	17058104	17058105	17058107	17058108	17058110	17058111	CARBURETOR No.	
Illus. No.	AIR HORN PARTS (Continued)							
19	30-152						Needle & Seat Assembly	
20	KIT ONLY						Gasket-Needle Seat	
—	—							
CHOKE PARTS								
21	—						Vac. Break Control Assy.	
22	7044056						Vac. Brk Con. & Brkt. Assy.	
23	7037570						Screw-Control Attaching	
24	17055540	17055540	17055541	17055540	17055540	17055541	Choke Housing	
25	7037239						Baffle Plate	
26	17052654						Stat Cover, Coil & Gsk. Assy.	
27	17050961						Gasket-Stat Cover	
28	7043291						Gasket-Choke Housing	
29	7040239						Link-Vacuum Break	
30	7037569						Dust Seal-Inter. Ch. Shaft	
31	7043289						Inter. Choke Shaft Assy.	
32	7043292						Screw-Choke Housing	
33							Cam Lever & Bushing Assy.	
34	7011270						Screw-Stat Cover	
35	7000614						Retainer-Stat Cover	
36	7033443						Choke Valve	
37	17050270						Inter. Choke Rod	
38	17050266						Inter. Choke Lever	
39	17050766						Lever Choke	
40	7019709						Screw-Choke Levers	
41	17050271						Lever-Choke Shaft	
42								
43								
44	7007627						Screw-Choke Valve	
45	7047797						Choke Shaft Assy.	
46	7026339						Hose-Vacuum	
47	7043370						Choke Link	
FLOAT BOWL PARTS								
48	7041141						Spring-Pump Return	
49	7002120						Ball-Pump Inlet Check	
—	—						Strainer-Pump Inlet	
50	7000286						Guide-Pump Discharge	
51	7002118						Spring-Pump Discharge	
52	7002117						Ball-Pump Discharge	
53	170555931						Float Bowl Assembly	
54	KIT ONLY						Gasket-Venturi Cluster	
55	17054520						Venturi Cluster Assembly	
56	7045762						Scr.-Venturi Cluster-Outer	
57	7009077						Screw-Cluster-Center	
58	—						Lockwasher-Outer Screws	
59	KIT ONLY						Gasket-Center Screw	
60	7002652						Jet-Standard	
61	7040320						Insert-Main Well	
62	7011989						Power Valve Assembly	
63	KIT ONLY						Gasket-Power Valve	
64								
65	7044039						Cam-Fast Idle	
66	7036222						Screw-Cam Attaching	
—	NONE	7044300	NONE	NONE	*1997464	NONE	Solen.-Idle Stop (See Note)*	
—	NONE	7042818	NONE	NONE	7042818	NONE	Brkt & Washer Assembly	
—	NONE	7042654	NONE	NONE	7042654	NONE	Nut-Solenoid Retaining	
—	NONE	7043682	NONE	NONE	7043682	NONE	Screw-Bracket Attaching	
—	—	—	—	—	—	—		
THROTTLE BODY PARTS								
67	KIT ONLY						Gasket-Throttle Body	
68	7015105						Screw-Throttle Body	
69	—						Lockwasher-Thr. Body Scr.	
70	7041249	7041249	17050277	7041249	7041249	17050277	Pump Rod	
71	7018186						Clip-Pump Rod	
72	7029427						Idle Stop Screw	
—	7041519						Spring-Idle Stop Screw	
73	17055926	17055926	17055933	17055926	17055926	17055933	Throttle Body Assembly	
74	7048860						Idle Needle	
75	7011479						Spring-Idle Needle	
76	6271058						Insulator-Flange	

Note: Solenoid Available Through Delco-Remy



Delco Carburetor

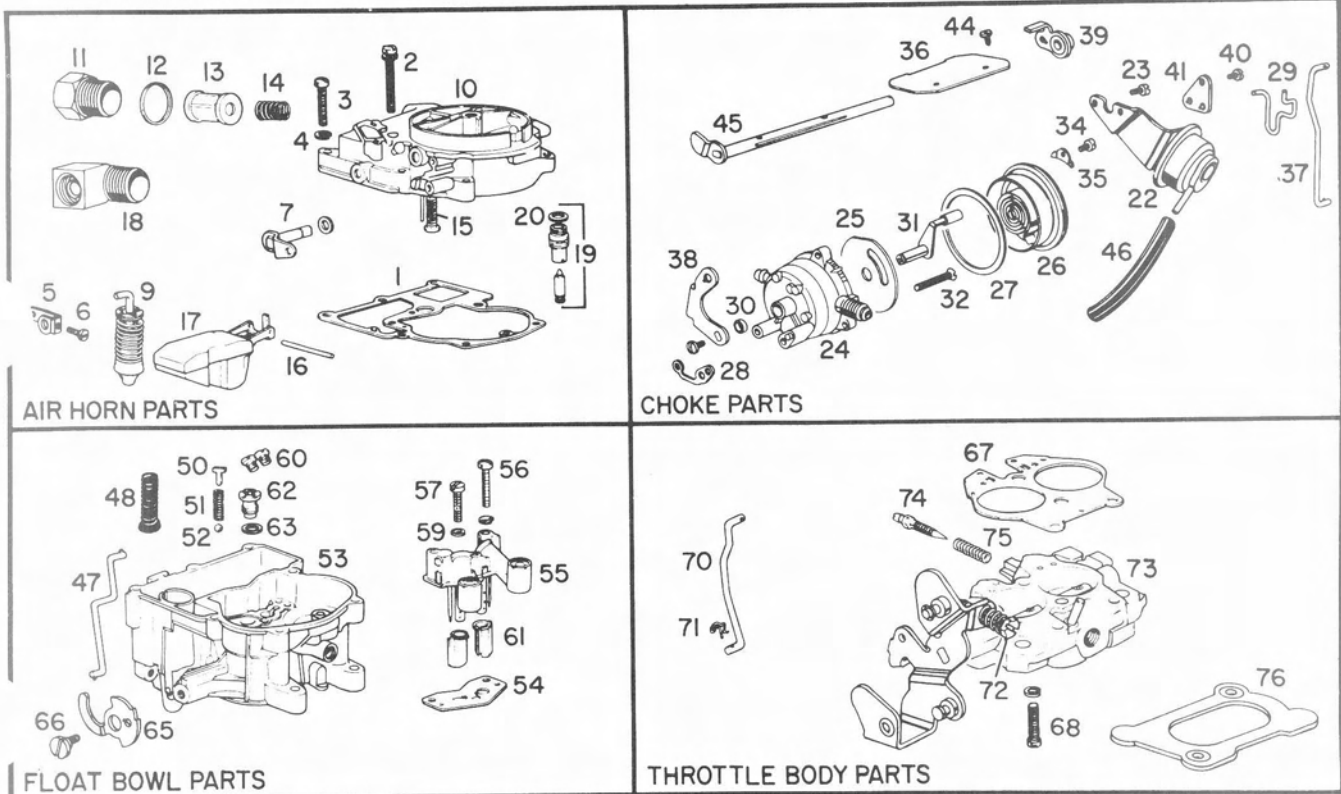
MODEL 2GC CARBURETORS

1978 PONTIAC LEMANS, FIREBIRD & PHOENIX

BULLETIN: 9C-6104
 DATE: NOVEMBER 1977
 PAGE: 1

305 CUBIC INCH ENGINE

PARTS SHOWN ARE FOR IDENTIFICATION ONLY. CONSULT PARTS LIST FOR CORRECT PART NAME AND NUMBER



PARTS IN ALL COLUMNS SAME — EXCEPT WHERE INDICATED

	FEDERAL FIREBIRD	CANADA LEMANS X-FED	FEDERAL FIREBIRD	FEDERAL FIREBIRD	CANADA LEMANS X-FED	APPLICATION
	NON A/C A/T	NON A/C M/T	A/C A/T	A/C M/T	A/C M/T	
	17058112	17058113	17058114	17058121	17058123	CARBURETOR No.
	22-3160	22-3157	22-3160	22-3155	22-3157	REPLACEMENT PKG. No.
	17055338	17055936	17055338	17055936	17055936	OVERHAUL KIT
	9327	9356	9327	9356	9356	POWER CARBURETOR KIT
	40-448					

Illus. No.	AIR HORN PARTS					
1	7045671					Gasket—Air Horn
2	7010432					Screw—Air Horn—Long
3	7006119					Screw—Air Horn—Short
4	—					Lockwasher—Air Horn Screw
5	7032377					Pump Lever—Inside
6	7011270					Screw—Pump Lever
7	7044029	17050230	7044029	17050230	17050230	Pump Shaft & Lever Assy.
—	7019568					Washer—Pump Shaft
8	—					Clip—Pump
9	7036282	7046028	7036282	7046028	7046028	Pump Assembly
10	17055925	17055915	17055925	17055925	17055915	Air Horn Assembly
11	17053408	17051765	17053408	17053408	17051765	Filter Nut—Fuel Inlet
12	7032508					Gasket—Filter Nut
13	GF-470					Filter—Fuel Inlet
14	17051764	7032732	17051764	17051764	7032732	Spring—Fuel Inlet Filter
15	7009054					Power Piston Assembly
16	7002081					Pin—Float Hinge
17	7037512					Float Assembly
18	7044035	NONE	7044035	7044035	NONE	Elbow—Filter Nut
19	30-152					Needle & Seat Assembly

	17058112	17058113	17058114	17058121	17058123	CARBURETOR No.
Illus. No.	AIR HORN PARTS (Continued)					
20	KIT ONLY					Gasket—Needle Seat
—	—					
CHOKE PARTS						
21	—					Vac. Break Control Assy.
22	7044056					Vac. Brk. Con. & Brkt. Assy.
23	7037570					Screw—Control Attaching
24	17055540	17055541	17055540	17055541	17055541	Choke Housing
25	7037239					Baffle Plate
26	17052654					Stat Cover, Coil & Gask. Assy.
27	17050961					Gasket—Stat Cover
28	7043291					Gasket—Choke Housing
29	7040239					Link—Vacuum Break
30	7037569					Dust Seal—Inter. Ch. Shaft
31	7043289					Inter. Choke Shaft Assy.
32	7043292					Screw—Choke Housing
33						Cam Lever & Bushing Assy.
34	7011270					Screw—Stat Cover
35	7000614					Retainer—Stat Cover
36	7033443					Choke Valve
37	17050270					Inter. Choke Rod
38	17050266					Inter. Choke Lever
39	17050766					Lever Choke
40	7019709					Screw—Choke Levers
41	17050271					Lever—Choke Shaft
42						
43						
44	7007627					Screw—Choke Valve
45	7047797					Choke Shaft Assy.
46	7026339					Hose—Vacuum
47	7043370					Choke Link
FLOAT BOWL PARTS						
48	7041141					Spring—Pump Return
49	7002120					Ball—Pump Inlet Check
—						Strainer—Pump Inlet
50	7000286					Guide—Pump Discharge
51	7002118					Spring—Pump Discharge
52	7002117					Ball—Pump Discharge
53	17055931					Float Bowl Assembly
54	KIT ONLY					Gasket—Venturi Cluster
55	17054520					Venturi Cluster Assembly
56	7045762					Screw—Venturi Cluster—Outer
57	7009077					Screw—Cluster—Center
58	—					Lockwasher—Outer Screws
59	KIT ONLY					Gasket—Center Screw
60	7002652					Jet—Standard
61	7040320					Insert—Main Well
62	7011989					Power Valve Assembly
63	KIT ONLY					Gasket—Power Valve
64						
65	7044039					Cam—Fast Idle
66	7036222					Screw—Cam Attaching
—	NONE	NONE	1997464	1997454	1997464	Solenoid—Idle Stop (See Note)
—	NONE	NONE	7042818	7042818	7042818	Bracket & Washer Assembly
—	NONE	NONE	7042654	7042654	7042654	Nut—Solenoid Retaining
—	NONE	NONE	7043682	7043682	7043682	Screw—Bracket Attaching
—	—					
THROTTLE BODY PARTS						
67	KIT ONLY					Gasket—Throttle Body
68	7015105					Screw—Throttle Body
69	—					Lockwasher—Thr. Body Screw
70	7041249	17050277	7041249	17050277	17050277	Pump Rod
71	7018186					Clip—Pump Rod
72	7029427					Idle Stop Screw
—	7041519					Spring—Idle Stop Screw
73	17055926	17055933	17055926	17055933	17055933	Throttle Body Assembly
74	7048860					Idle Needle
75	7011479					Spring—Idle Needle
76	6271058					Insulator—Flange

Note: Solenoid Available Through Delco-Remy

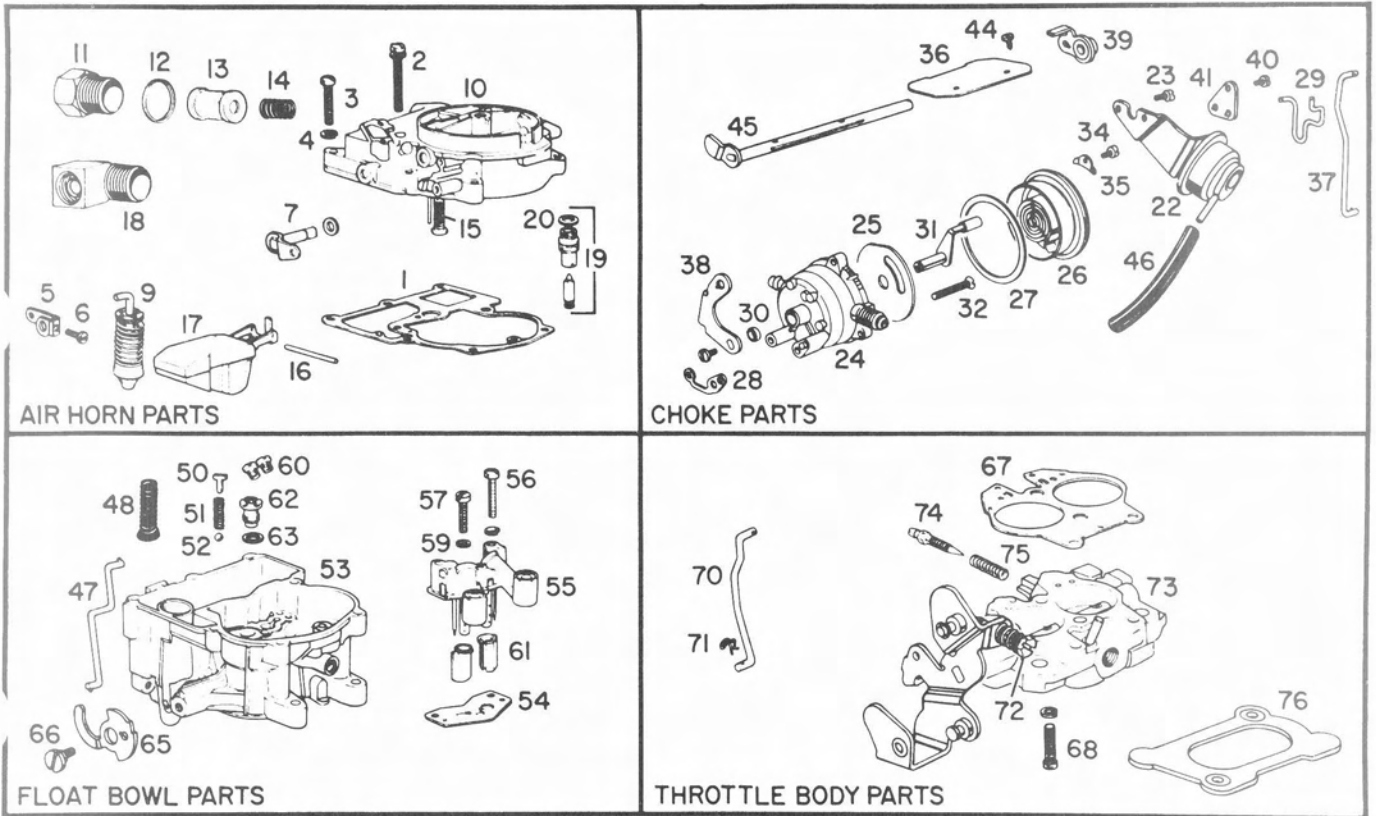


Delco Carburetor

MODEL 2GC CARBURETORS
 1978 PONTIAC LEMANS, FIREBIRD
 PHOENIX & SUNBIRD
 (CALIFORNIA)
 305 CUBIC INCH ENGINE

BULLETIN: 9C-6105
 DATE: NOVEMBER 1977
 PAGE: 1

PARTS SHOWN ARE FOR IDENTIFICATION ONLY. CONSULT PARTS LIST FOR CORRECT PART NAME AND NUMBER



PARTS IN ALL COLUMNS SAME — EXCEPT WHERE INDICATED

SUNBIRD NON A/C AUTO. TRANS.	SUNBIRD AIR COND. AUTO. TRANS.	LEMANS PHOENIX NON A/C A/T	LEMANS PHOENIX A/C A/T	FIREBIRD NON A/C AUTO. TRANS.	FIREBIRD AIR COND. AUTO. TRANS.	APPLICATION
17058404	17058405	17058408	17058410	17058412	17058414	CARBURETOR No.
22-3164	22-3164	22-3166	22-3166	22-3159	22-3159	REPLACEMENT PKG. No.
17055235	17055235	17055334	17055334	17055334	17055334	OVERHAUL KIT
9321	9321	9328	9328	9328	9328	POWER CARB. KIT
40-456	40-456	40-448	40-448	40-448	40-448	GASKET SET

Illus. No.	AIR HORN PARTS						
1	17050409	17050409	7045671	7045671	7045671	7045671	Gasket—Air Horn
2	7010432						Screw—Air Horn—Long
3	7006119						Screw—Air Horn—Short
4	—						Lockwasher—Air Horn Screw
5	7032377						Pump Lever—Inside
6	7011270						Screw—Pump Lever
7	7044029						Pump Shaft & Lever Assy.
—	7019568						Washer—Pump Shaft
8	—						Clip—Pump
9	7036282						Pump Assembly
10	17055938	17055938	17055942	17055942	17055938	17055938	Air Horn Assembly
11	17053408	17053408	17051765	17051765	17053408	17053408	Filter Nut—Fuel Inlet
12	7032508						Gasket—Filter Nut
13	GF-470						Filter—Fuel Inlet
14	17051764	17051764	7032732	7032732	17051764	17051764	Spring—Fuel Inlet Filter
15	7006323						Power Piston Assembly
16	7002081						Pin—Float Hinge
17	7037512						Float Assembly
18	7044032	7044032	None	None	7044035	7044035	Elbow—Filter Nut

CO, WD, 131, 132:M, 9X, 9FR, 9FD, 9LA
 NSS—NOT SERVICED SEPARATELY

PRINTED IN U.S.A.
 © 1977 GENERAL MOTORS CORP.

	17058404	17058405	17058408	17058410	17058412	17058414	CARBURETOR No.
AIR HORN PARTS (Continued)							
Illus. No.							
19	30-155						Needle & Seat Assembly
20	KIT ONLY						Gasket—Needle Seat
—	—						
CHOKE PARTS							
21	—						Vac. Break Control Assy.
22	7044056						Vac. Brk Con. & Brkt. Assy.
23	7037570						Screw—Control Attaching
24	17055540						Choke Housing
25	7037239						Baffle Plate
26	17052654						Stat Cover, Coil & Gsk. Assy.
27	17050961						Gasket—Stat Cover
28	7043291						Gasket—Choke Housing
29	7040239						Link—Vacuum Break
30	7037569						Dust Seal—Inter. Ch. Shaft
31	7043289						Inter. Choke Shaft Assy.
32	7043292						Screw—Choke Housing
33							Cam Lever & Bushing Assy
34	7011270						Screw—Stat Cover
35	7000614						Retainer—Stat Cover
36	7033443						Choke Valve
37	17050270						Inter. Choke Rod
38	17050266						Inter. Choke Lever
39	17050766						Lever Choke
40	7019709						Screw—Choke Levers
41	17050271						Lever—Choke Shaft
42							
43							
44	7007627						Screw—Choke Valve
45	7047797						Choke Shaft Assy.
46	7026339						Hose—Vacuum
47	7043370						Choke Link
FLOAT BOWL PARTS							
48	7041141						Spring—Pump Return
49	7002120						Ball—Pump Inlet Check
—	—						Strainer—Pump Inlet
50	7000286						Guide—Pump Discharge
51	7002118						Spring—Pump Discharge
52	7002117						Ball—Pump Discharge
53	17065052						Float Bowl Assembly
54	KIT ONLY						Gasket—Venturi Cluster
55	17061096						Venturi Cluster Assembly
56	7045762						Scr.—Venturi Cluster—Outer
57	7009077						Screw—Cluster—Center
58	—						Lockwasher—Outer Screws
59	KIT ONLY						Gasket—Center Screw
60	7002653						Jet—Standard (See Note)
61	7040320						Insert—Main Well
62	7011989						Power Valve Assembly
63	KIT ONLY						Gasket—Power Valve
64							
65	7045057						Cam—Fast Idle
66	7036222						Screw—Cam Attaching
—	NONE	7044300	NONE	*1997464	NONE	*1997464	Solen.—Idle Stop (See Note)*
—	NONE	7042818	NONE	7042818	NONE	7042818	Brkt & Washer Assembly
—	NONE	7042654	NONE	7042654	NONE	7042654	Nut—Solenoid Retaining
—	NONE	7043682	NONE	7043682	NONE	7043682	Screw—Bracket Attaching
—	—	—	—	—	—	—	—
THROTTLE BODY PARTS							
67	KIT ONLY						Gasket—Throttle Body
68	7015105						Screw—Throttle Body
69	—						Lockwasher—Thr. Body Scr.
70	7041249						Pump Rod
71	7018186						Clip—Pump Rod
72	7029427						Idle Stop Screw
—	7041519						Spring—Idle Stop Screw
73	17055940						Throttle Body Assembly
74	7048860						Idle Needle
75	7011479						Spring—Idle Needle
76	6271058						Insulator—Flange

Note: Solenoid Available Through Delco-Remy

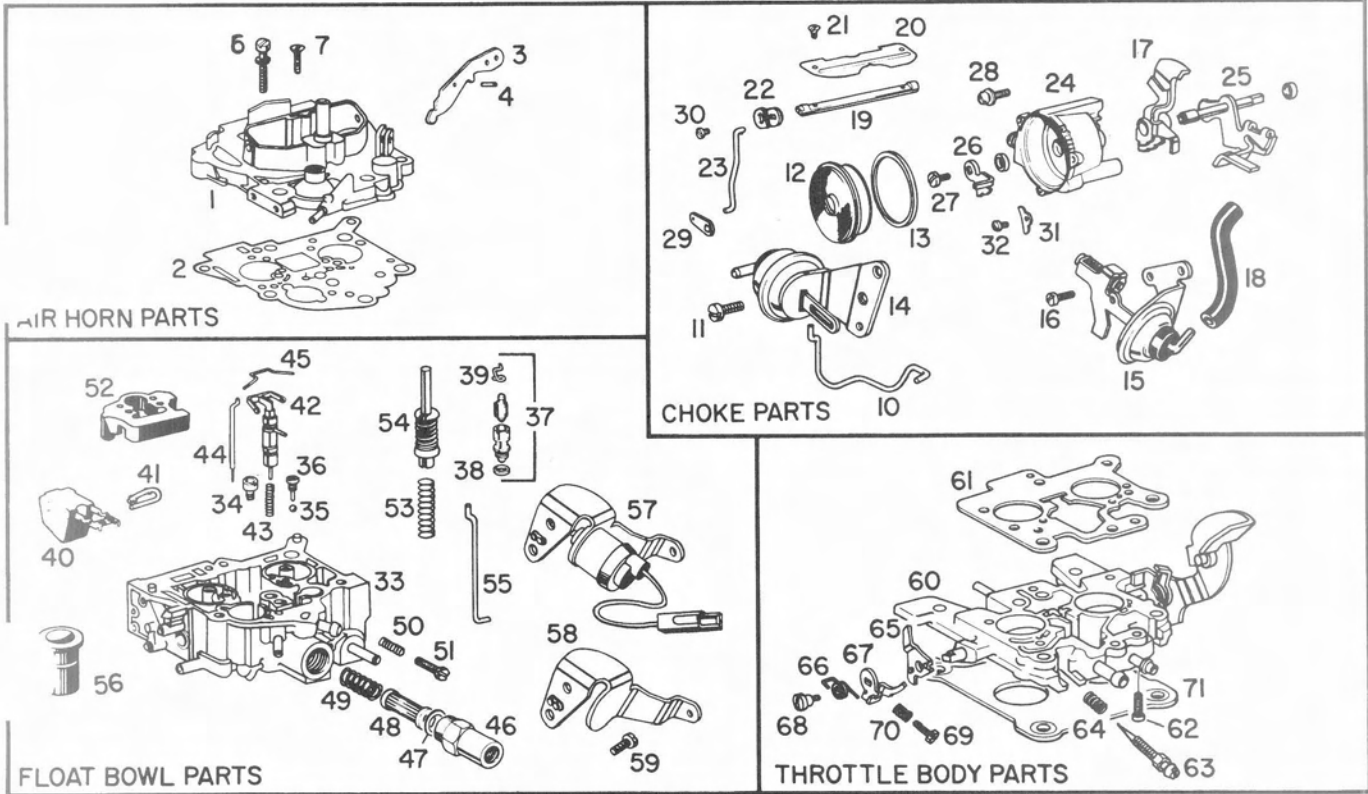


Delco Carburetor

BULLETIN: 9C-6106
 DATE: NOVEMBER 1977
 PAGE: 1

MODEL M2ME DUALJET-210
 1978 PONTIAC LEMANS
 (CANADA ONLY)
 200 CUBIC INCH ENGINE

PARTS SHOWN ARE FOR IDENTIFICATION ONLY. CONSULT PARTS LIST FOR CORRECT PART NAME AND NUMBER



AIR HORN PARTS

CHOKE PARTS

FLOAT BOWL PARTS

THROTTLE BODY PARTS

PARTS IN ALL COLUMNS SAME — EXCEPT WHERE INDICATED

	LEMANS SEDAN NON A/C AUTO TRANS	LEMANS SEDAN NON A/C 3-SPEED MAN TRANS	LEMANS SEDAN AIR COND. AUTO TRANS	LEMANS SEDAN Z-94-OPT. NON A/C AUTO TRANS	LEMANS SEDAN Z-94-OPT. AIR COND. AUTO TRANS	APPLICATION
	17058130	17058131	17058132	17058184	17058186	CARBURETOR No.
	22-3146	22-3145	22-3148	22-3150	22-3152	REPLACEMENT PACKAGE No.
	17055912					OVERHAUL KIT
	9355					POWER CARBURETOR KIT
	40-474					GASKET SET

Illus. No.	AIR HORN PARTS					
1	17055910					Air Horn Assembly
2	7045097					Gasket—Air Horn
3	7048169					Lever—Pump Actuating
4	9428787					Roll Pin—Pump & Lockout Lever Hinge
5	—					Screw—Air Horn
6	7014699					Screw—Air Horn
7	7031105					Screw—Air Horn
8	—					Metering Rod—Secondary
9	—					Sec. Metering Rod Holder Kit
—	—					Air Valve Spring & Cam Kit
	CHOKE PARTS					
10	—					Link—Aux. Vac. Break
11	—					Screw—Aux. Vac. Break Mounting

CO, WD, 131, 132:M, 9X, 9FR, 9FD

PRINTED IN U.S.A.

© 1977 GENERAL MOTORS CORP.

	17058130	17058131	17058132	17058184	17058186	CARBURETOR No.
Illus. No.	CHOKE PARTS (Continued)					
12	—					Stat Cvr. Coil & Gasket Assembly
12	17057936					Electric Stat Cover & Coil Assy.
13	—					Gasket—Stat Cover
14	17056010					Vacuum Break Cont. & Brkt. Assy.
15	—					Aux. Vac. Brk. Cont. & Brkt. Assy.
16	17050732					Screw—Control Attaching
17	17051176					Cam—Fast Idle
18	7026339					Hose—Vacuum
19	7038259					Choke Shaft
20	7048904					Choke Valve
21	7029866					Screw—Choke Valve
22	7031231					Lever—Intermediate Choke
23	7041472					Rod—Choke
24	17055913					Choke Housing Kit
25	17050754					Inter. Choke Shaft & Lever Assy.
—	7037569					Seal—Inter. Choke Shaft
—	—					Seal—Choke Housing to Bowl
26	17056490					Lever—Stat Coil
27	7019709					Screw—Coil Lever
28	7038808					Screw—Choke Housing to Bowl
29	7041542					Lever—Choke
30	7029866					Screw—Choke Lever
31	7000614					Retainer—Stat Cover
32	7011270					Screw—Stat Cover
	FLOAT BOWL PARTS					
33	17055909					Float Bowl Assembly
34	7031974					Jet—Primary
35	7002117					Ball—Pump Discharge
36	7029849					Retainer—Pump Discharge Ball
37	30-151					Needle & Seat Assy.
38	KIT ONLY					Gasket—Needle Seat
39	7033751					Pull Clip—Float Needle
40	7043379					Float Assembly
41	7041469					Hinge Pin—Float Assembly
42	17061056					Power Piston Assembly Main
43	—					Spring—Power Piston
44	17057750					Metering Rod—Main
45	7041459					Spring—Metering Rod
46	17059861					Filter Nut—Fuel Inlet
47	7024281					Gasket—Filter Nut
48	GF-471					Filter—Fuel Inlet
49	7032732					Spring Fuel Filter
50	7003176					Spring—Idle Stop Screw
51	7002121					Screw—Idle Stop
52	7041471					Insert—Float Bowl
—	—					Baffle—Float Bowl
53	7042979					Spring—Pump Return
54	7048874					Pump Assembly
55	17056437					Rod Pump
56	17051796					Insert—Aneroid & Cavity
—	NONE	NONE	7044300	NONE	7044300	Solenoid—Idle Stop
—	NONE	NONE	17056020	NONE	17056020	Bracket & Washer Assembly
—	NONE	NONE	7042653	NONE	7042653	Washer—Tab Locking
—	NONE	NONE	7042654	NONE	7042654	Nut—Solenoid Retaining
—	NONE	NONE	7043682	NONE	7043682	Screw—Bracket Attaching
	THROTTLE BODY PARTS					
60	17058618	7045093	17058663	17060521	17060522	Throttle Body Assembly
61	KIT ONLY					Gasket—Throttle Body
62	7035790					Screw—Throttle Body
63	7048531					Idle Needle
64	7011479					Spring—Idle Needle
65	7041497					Lever—Cam Follower
66	17051494					Spring—Cam Lever
67	7041498					Fast Idle Lever
68	7036079					Screw—Fast Idle Lever Attaching
69	7044794					Screw—Fast Idle Adjusting
70	7029900					Spring—Fast Idle Screw
71	462693					Gasket—Flange

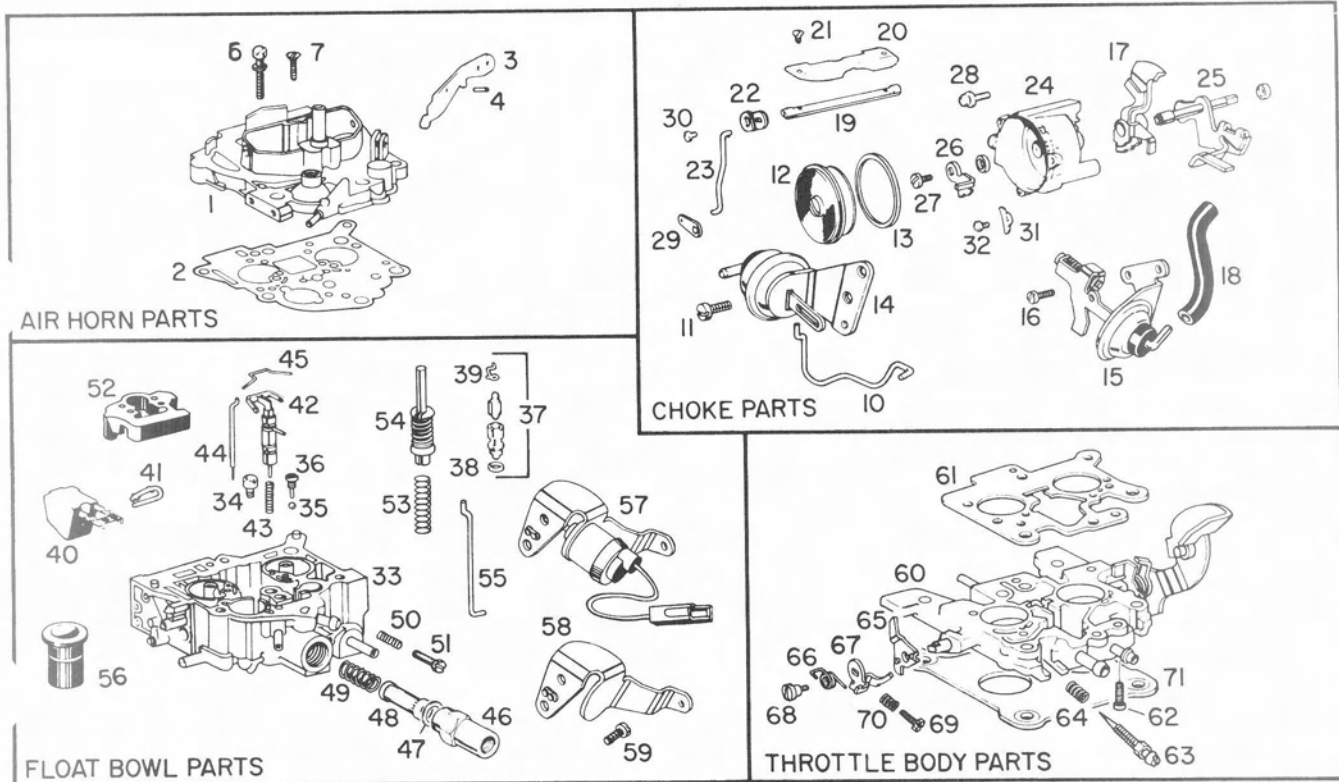


Delco Carburetor

MODEL M2MC DUALJET-210
1978 PONTIAC & LEMANS
301 CUBIC INCH ENGINE

BULLETIN: 9C-6107
DATE: NOVEMBER 1977
PAGE: 1

PARTS SHOWN ARE FOR IDENTIFICATION ONLY. CONSULT PARTS LIST FOR CORRECT PART NAME AND NUMBER



PARTS IN ALL COLUMNS SAME — EXCEPT WHERE INDICATED

	FEDERAL PONTIAC A-BODY LEMANS A/C NON A/C AUTO. TRANS.	APPLICATION
	17058160	CARBURETOR No.
	22-6063	REPLACEMENT PACKAGE No.
	17055642	OVERHAUL KIT
	9342	POWER CARBURETOR KIT
	40-461	GASKET SET
Illus. No.		AIR HORN PARTS
1	17055636	Air Horn Assembly
2	7045097	Gasket—Air Horn
3	7048169	Lever—Pump Actuating
4	9428787	Roll Pin—Pump & Lockout Lever Hinge
5	—	Screw—Air Horn
6	7014699	Screw—Air Horn
7	7031105	Screw—Air Horn
8	—	Metering Rod—Secondary
9	—	Sec. Metering Rod Holder Kit
—	—	Air Valve Spring & Cam Kit
		CHOKE PARTS
10	7045092	Link—Aux. Vac. Break
11	7043682	Screw—Aux. Vac. Break Mounting

	17058160	CARBURETOR No.
		CHOKE PARTS (Continued)
Illus. No.		
12	17055640	Stat Cover, Coil & Gasket Assy.
12	—	Electric Stat Cover & Coil Assy.
13	17050961	Gasket—Stat Cover
14	7044343	Vacuum Break Control & Bracket Assy.
15	7045179	Aux. Vacuum Break Control & Bracket Assy.
16	17050732	Screw—Control Attaching
17	7041484	Cam—Fast Idle
18	7026339	Hose—Vacuum
19	7038259	Choke Shaft
20	7048904	Choke Valve
21	7029866	Screw—Choke Valve
22	7031231	Lever—Intermediate Choke
23	17056305	Rod—Choke
24	17051996	Choke Housing Kit
25	17050754	Intermediate Choke Shaft & Lever Assy.
—	7037569	Seal—Intermediate Choke Shaft
—	7043367	Seal—Choke Housing to Bowl
26	7043368	Lever—Stat Coil
27	7019709	Screw—Coil Lever
28	7038808	Screw—Choke Housing to Bowl
29	7041542	Lever—Choke
30	7029866	Screw—Choke Lever
31	7000614	Retainer—Stat Cover
32	7011270	Screw—Stat Cover
		FLOAT BOWL PARTS
33	17055638	Float Bowl Assembly
34	7031974	Jet—Primary
35	7002117	Ball—Pump Discharge
36	7029849	Retainer—Pump Discharge Ball
37	30-151	Needle & Seat Assy.
38	KIT ONLY	Gasket—Needle Seat
39	7033751	Pull Clip—Float Needle
40	7044332	Float Assembly
41	7041469	Hinge Pin—Float Assembly
42	7044419	Power Piston Assembly Primary
43	17051705	Spring—Power Piston Primary
44	17057754	Metering Rod—Primary
45	7041459	Spring—Metering Rod—Primary
46	17059861	Filter Nut—Fuel Inlet
47	7024281	Gasket—Filter Nut
48	GF-471	Filter—Fuel Inlet
49	7032732	Spring Fuel Filter
50	7003176	Spring—Idle Stop Screw
51	7002121	Screw—Idle Stop
52	7041471	Insert—Float Bowl
—	—	Baffle—Float Bowl
53	7042979	Spring—Pump Return
54	7048871	Pump Assembly
55	17056437	Rod Pump
56	17051796	Insert—Aneroid & Cavity
		THROTTLE BODY PARTS
60	17059907	Throttle Body Assembly
61	KIT ONLY	Gasket—Throttle Body
62	7035790	Screw—Throttle Body
63	7048532	Idle Needle
64	7011479	Spring—Idle Needle
65	7041497	Lever—Cam Follower
66	17051494	Spring—Cam Lever
67	7041498	Fast Idle Lever
68	7036079	Screw—Fast Idle Lever Attaching
69	7044794	Screw—Fast Idle Adjusting
70	7029900	Spring—Fast Idle Screw
71	10000937	Gasket—Flange



Delco Carburetor

MODEL M4MC QUADRAJET

1978 PONTIAC, LEMANS & FIREBIRD

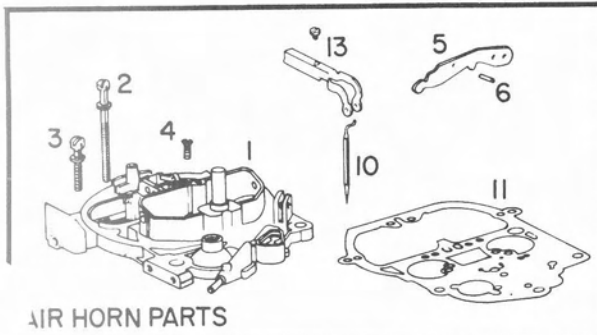
301-350 CUBIC INCH ENGINE

BULLETIN: 9C-6108

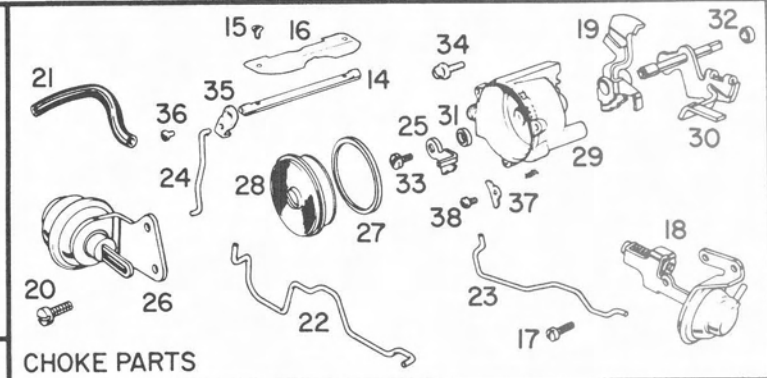
DATE: NOVEMBER 1977

PAGE: 1

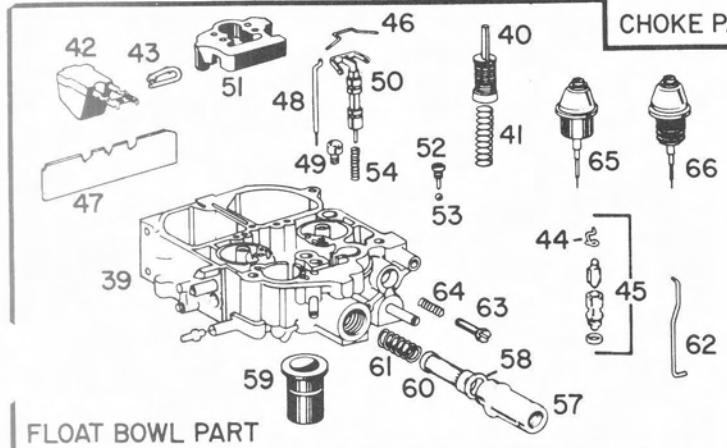
PARTS SHOWN ARE FOR IDENTIFICATION ONLY. CONSULT PARTS LIST FOR CORRECT PART NAME AND NUMBER



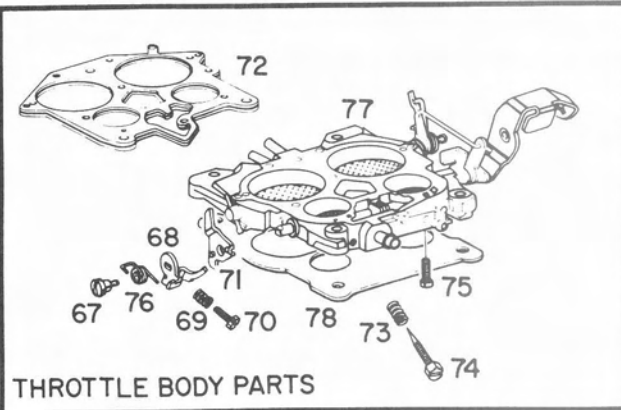
AIR HORN PARTS



CHOKE PARTS



FLOAT BOWL PART



THROTTLE BODY PARTS

PARTS IN ALL COLUMNS SAME — EXCEPT WHERE INDICATED

	FEDERAL 350-CU. IN. FIREBIRD A/C NON A/C	FEDERAL 350-CU. IN. PONTIAC SED. & WAG.	FEDERAL 301-CU. IN. PONT.-SED. LEMANS SED. & WAG.	CANADA ONLY 350-CU. IN. B-BODY Z-94-OPT. NON A/C	CANADA ONLY 350-CU. IN. B-BODY Z-94-OPT. AIR COND.	APPLICATION
	4-SPEED MAN. TRANS.;	A/C NON A/C AUTO. TRANS.	A/C NON A/C AUTO. TRANS.	AUTO. TRANS.	AUTO. TRANS.	
	17058203	17058241	17058272	17058282	17058284	CARBURETOR No.
	24-3173	24-1220	24-6073	24-3196	24-3196	REPLACEMENT PACKAGE No.
	17055706	17055908	17055648	17055706	17055706	OVERHAUL KIT
	9349	9354	9343	9349	9349	POWER CARBURETOR KIT
	40-472	40-463	40-467	40-472	40-472	GASKET SET

Illus. No.	AIR HORN PARTS					
1	17055703	17055906	17055644	17055703	17055703	Air Horn Assembly
2	7029912					Screw—Air Horn
3	7014699					Screw—Air Horn
4	7031105					Screw—Air Horn
5	7048169					Lever—Pmp Actuating
6	9428787					Roll Pin—Pmp & Lockout Levers
7	—					Screw—Idle Vent Valve
8	—					Valve—Idle Vent
9	—					Idle Vent Valve Kit
10	7045779	7045986	7045779	7045779	7045779	Metering Rod—Secondary
11	17056357					Gasket—Air Horn
12	—					Lockout Lever—Air Valve
13	7034522					Secondary Metering Rod Holder Kit
—	7035344					Air Valve Spring and Cam Kit

	17058203	17058241	17058272	17058282	17058284	CARBURETOR No.
Illus. No.	CHOKE PARTS					
14	7038259					Choke Shaft
15	7029866					Screw—Choke Valve
16	7048904					Choke Valve
17	17050732					Screw—Vacuum Break Control
18	17050759	17051261	17060832	17050759	17050759	Vac. Brk. Cont. & Brkt. Assembly
19	17051176	17052371	17054139	17051176	17051176	Cam—Fast Idle
20	NONE	7043682	7043682	NONE	NONE	Screw—Aux. Vac. Brk. Mounting
21	7026339					Hose—Vacuum
22	7041527					Rod—Vacuum Break
—	7031231					Lever—Intermediate Choke
23	NONE	17050738	7043393	NONE	NONE	Link—Aux. Vac. Break
24	7041472	7041472	17056305	7041472	7041472	Rod—Choke
25	7041499	7043368	7043368	7041499	7041499	Lever—Choke Coil
26	NONE	17050742	17053083	NONE	NONE	Vac. Brk. Control & Brkt. Assy. Aux.
27	17050961					Gasket—Stat Cover
28	17051918	17051964	17055640	17051918	17051918	Stat Cover—Coil & Gasket Assy.
29	17055546	17051970	17051996	17065162	17065162	Choke Housing Kit
30	17050754					Intermediate Choke Shaft & Lever
31	7037569					Seal Inter. Choke Shaft
32	7043367					Seal—Choke Housing to Bowl
33	7019709					Screw—Coil Lever
34	7038808					Screw—Choke Housing to Bowl
35	7041542					Lever—Choke
36	7029866					Screw—Choke Lever
37	7000614					Retainer—Stat Cover (3)
38	7011270					Screw—Stat Cover (3)
	FLOAT BOWL PARTS					
39	17055704	17055907	17065103	17065160	17065160	Float Bowl Assembly
40	7048874	17051117	7048871	7048874	7048874	Pump Assembly
41	7042979					Spring—Pump Return
42	7043379	7046300	7044332	7043379	7043379	Float Assembly
43	7041469					Hinge Pin—Float
44	7033751					Pull Clip—Float Needle
45	30-134	30-150	30-134	30-134	30-134	Needle and Seat Assembly
	KIT ONLY					
46	7041459					Gasket—Needle Seat
47	7031365					Spring—Metering Rod—Primary
48	17051352	17051348	17057751	17051352	17051352	Baffle Plate—Float Bowl
49	7031977	7031973	7031972	7031977	7031977	Metering Rod—Primary
50	17051792					Metering Jet—Primary
51	7041471					Power Piston Assembly
52	7029849					Insert—Float Bowl
53	7002117					Retainer—Pump Discharge Ball
54	7029529	7029922	17051705	7029529	7029529	Ball—Pump Discharge
55	—					Spring—Power Piston
56	7041473					Clip—Pump Rod
57	17051254	17059861	17059861	17051254	17051254	Lockout Lever—Secondary
58	7024281					Filter Nut—Fuel Inlet
59	17051796					Gasket—Inlet Nut
60	GF-471					Insert—Aneriod Cavity
61	7043568	7032732	7032732	7043568	7043568	Filter—Fuel Inlet
62	7026138					Spring—Inlet Filter
63	7002121					Rod—Pump
64	7003176					Screw—Idle Stop
65	—	—	—	—	—	Spring—Idle Stop Screw
66	—	—	—	—	—	A.P.T. Rod Assembly
—	NONE	NONE	NONE	NONE	1997461	Aneriod Assembly
—	NONE	NONE	NONE	NONE	7043682	Solenoid & Brkt. Assy. (See Note)
—	NONE	NONE	7035906	NONE	NONE	Screw—Bracket Attaching
—	NONE	NONE	7027970	NONE	NONE	Idle Com Pensator Assy.
—	NONE	NONE	7029865	NONE	NONE	Gasket-Idle Compensator
—	NONE	NONE	7029866	NONE	NONE	Cover-Idle Compensator
—	NONE	NONE	NONE	NONE	NONE	Screw-Cover Attaching
	THROTTLE BODY PARTS					
67	7036079					Screw—Fast Idle Levers Attaching
68	7041498					Lever—Fast Idle
69	7029900					Spring—Fast Idle Screw
70	7044794					Screw—Fast Idle Adjusting
71	7041497					Lever—Cam Follower
72	KIT ONLY					Gasket—Throttle Body
73	7011479					Spring—Idle Needle
74	7048531	7048532	7048532	7048531	7048531	Idle Needle
75	7035790					Screw—Throttle Body
76	17051494					Spring—Cam Follower Lever
77	17060387	17059993	17060645	17061401	17061401	Throttle Body Assembly
78	372506	1248516	10001651	372506	372506	Insulator—Flange



Delco Carburetor

MODEL M4MC QUADRAJET

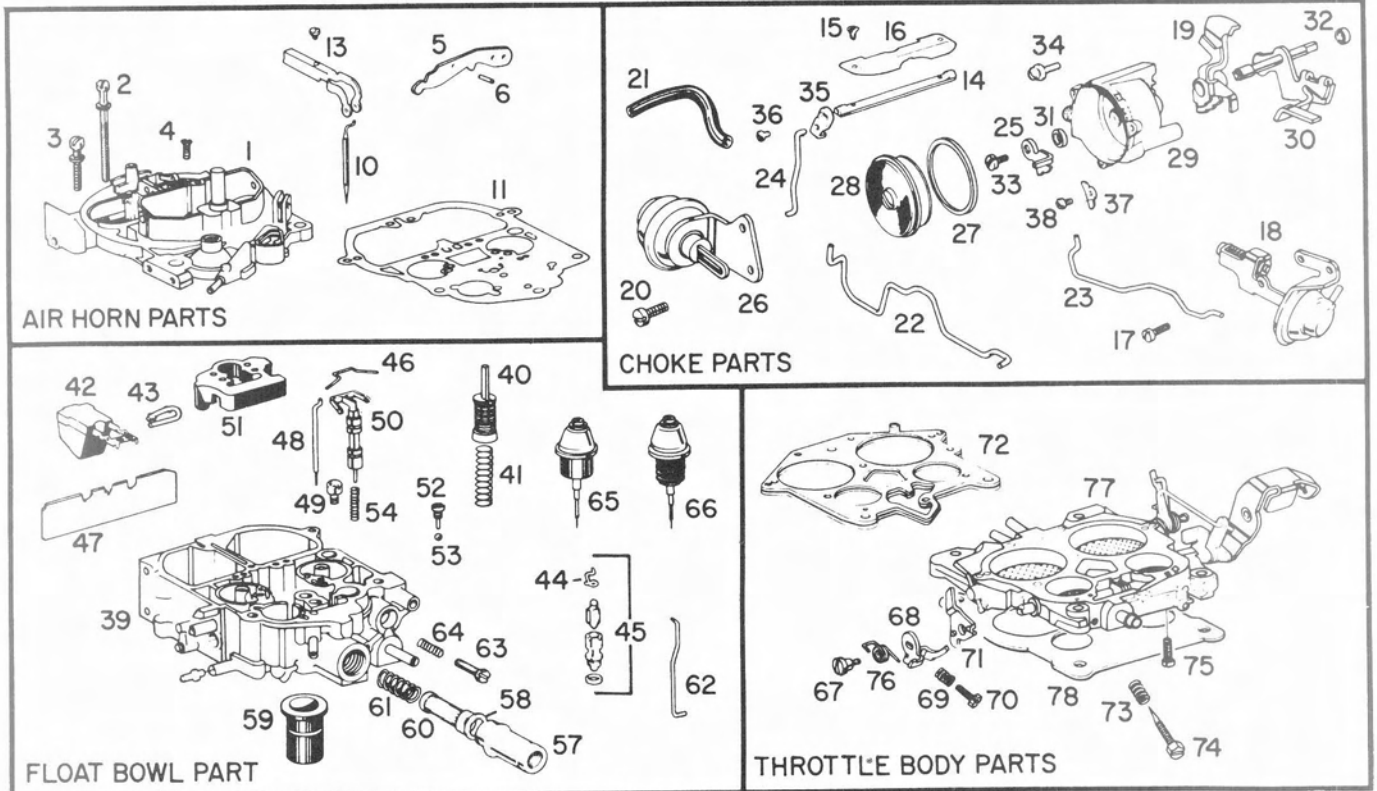
1978 PONTIAC LEMANS, FIREBIRD
& PHOENIX

350 CUBIC INCH ENGINE

AUTOMATIC TRANSMISSION

PARTS SHOWN ARE FOR IDENTIFICATION ONLY. CONSULT PARTS LIST FOR CORRECT PART NAME AND NUMBER

BULLETIN: 9C-6109
DATE: NOVEMBER 1977
PAGE: 1



PARTS IN ALL COLUMNS SAME — EXCEPT WHERE INDICATED

	FEDERAL FIREBIRD	FEDERAL FIREBIRD	CALIF. FIREBIRD PHOENIX	CALIF. FIREBIRD PHOENIX	ALTITUDE LEMANS WAGON FIREBIRD PHOENIX NON A/C	ALTITUDE LEMANS WAGON FIREBIRD PHOENIX AIR COND.	APPLICATION
	NON A/C	AIR COND.	NON A/C	AIR COND.	NON A/C	AIR COND.	CARBURETOR No.
	17058202	17058204	17058502	17058504	17058582	17058584	REPLACEMENT PKG. No.
	24-3191	24-3191	24-3192	24-3192	24-3184	24-3184	OVERHAUL KIT
	17055706	17055706	17055727	17055727	17055727	17055727	POWER CARB. KIT
	9349						GASKET SET
	40-472						

Illus. No.	AIR HORN PARTS						
1	17055703						Air Horn Assembly
2	7029912						Screw—Air Horn
3	7014699						Screw—Air Horn
4	7031105						Screw—Air Horn
5	7048169						Lever—Pump Actuating
6	9428787						Roll Pin—Pump & Lockout Lvr.
7	—						Screw—Idle Vent Valve
8	—						Valve—Idle Vent
9	—						Idle Vent Valve Kit
10	7045779						Metering Rod—Secondary
11	17056357						Gasket—Air Horn
12	—						Lockout Lever—Air Valve
13	7034522						Sec. Metering Rod Holder Kit
—	7035344						Air Valve Spring & Cam Kit

	17058202	17058204	17058502	17058504	17058582	17058584	CARBURETOR No.	
Illus. No.	CHOKE PARTS							
14	7038259						Choke Shaft	
15	7029866						Screw—Choke Valve	
16	7048904						Choke Valve	
17	17050732						Screw—Vacuum Break Control	
18	17050759						Vac. Brk. Control & Brkt. Assy.	
19	17051176						Cam—Fast Idle	
20	—						Screw—Aux. Vac. Brk. Mntng.	
21	7026339						Hose—Vacuum	
22	7041527						Rod—Vacuum Break	
—	7031231						Lever—Inter. Choke	
23	—						Link—Aux. Vac. Break	
24	7041472						Rod—Choke	
25	7041499						Lever—Choke Coil	
26	—						Vac. Brk. Con. & Brkt. Assy. Aux.	
27	17050961						Gasket—Stat Cover	
28	17051918						Stat Cover—Coil & Gskt. Assy.	
29	17055546						Choke Housing Kit	
30	17050754						Inter. Choke Shaft & Lever	
31	7037569						Seal Inter. Choke Shaft	
32	7043367						Seal—Choke Housing to Bowl	
33	7019709						Screw—Coil Lever	
34	7038808						Screw—Choke Housing to Bowl	
35	7041542						Lever—Choke	
36	7029866						Screw—Choke Lever	
37	7000614						Retainer—Stat Cover (3)	
38	7011270						Screw—Stat Cover (3)	
	FLOAT BOWL PARTS							
39	17065160	17065160	17055704	17055704	17055704	17055704	Float Bowl Assembly	
40	7048874						Pump Assembly	
41	7042979						Spring—Pump Return	
42	7043379						Float Assembly	
43	7041469						Hinge Pin—Float	
44	7033751						Pull Clip—Float Needle	
45	30-134						Needle & Seat Assembly	
	KIT ONLY						Gasket—Needle Seat	
46	7041459						Spring—Metering Rod—Primary	
47	7031365						Baffle Plate—Float Bowl	
48	17051352	17051352	17051341	17051341	17051341	17051341	Metering Rod—Primary	
49	7031977	7031977	7031971	7031971	7031971	7031971	Metering Jet—Primary	
50	17051792						Power Piston Assembly	
51	7041471						Insert—Float Bowl	
52	7029849						Retainer—Pump Disch. Ball	
53	7002117						Ball—Pump Discharge	
54	7029529	7029529	7036019	7036019	7036019	7036019	Spring—Power Piston	
55	—						Clip—Pump Rod	
56	7041473						Lockout Lever—Secondary	
57	17051254						Filter Nut—Fuel Inlet	
58	7024281						Gasket—Inlet Nut	
59	17051796						Insert—Aneroid Cavity	
60	GF-471						Filter—Fuel Inlet	
61	7043568						Spring—Inlet Filter	
62	7026138						Rod—Pump	
63	7002121						Screw—Idle Stop	
64	7003176						Spring—Idle Stop Screw	
65	—	—	—	—	—	—	A.P.T. Rod Assembly	
66	—	—	—	—	—	—	Aneroid Assembly	
—	NONE	1997461	NONE	1997461	NONE	1997461	Solenoid & Brkt. Assy. (See Note)	
—	NONE	7043682	NONE	7043682	NONE	7043682	Screw—Brkt. Attaching (2)	
	THROTTLE BODY PARTS							
67	7036079						Screw—Fast Idle Lvrs. Attching.	
68	7041498						Lever—Fast Idle	
69	7029900						Spring—Fast Idle Screw	
70	7044794						Screw—Fast Idle Adjusting	
71	7041497						Lever—Cam Follower	
72	KIT ONLY						Gasket—Throttle Body	
73	7011479						Spring—Idle Needle	
74	7048531						Idle Needle	
75	7035790						Screw—Throttle Body	
76	17051494						Spring—Cam Follower Lever	
77	17061441	17061441	17060356	17060356	17060356	17060356	Throttle Body Assembly	
78	372506						Insulator—Flange	

Note: Solenoid available through Delco—Remy.



Delco Carburetor

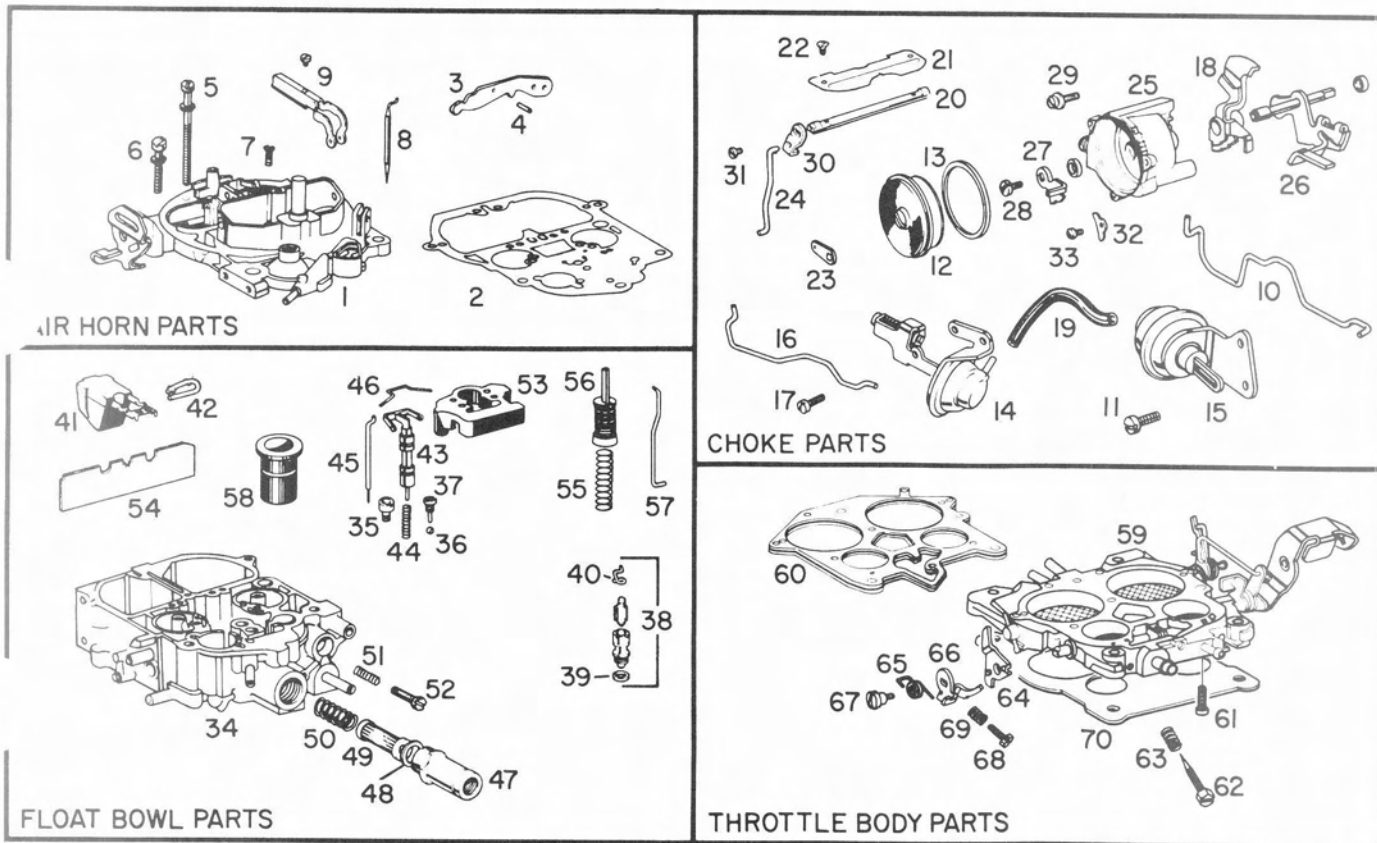
MODEL M4MC QUADRAJET

BULLETIN: 9C-6110
DATE: NOVEMBER 1977
PAGE: 1

1978 PONTIAC & FIREBIRD

400 CUBIC INCH ENGINE

PARTS SHOWN ARE FOR IDENTIFICATION ONLY CONSULT PARTS LIST FOR CORRECT PART NAME AND NUMBER



PARTS IN ALL COLUMNS SAME — EXCEPT WHERE INDICATED

	FEDERAL FIREBIRD	FEDERAL FIREBIRD HIGH PERF.	FEDERAL B-SEDAN & WAGON EARLY	FEDERAL FIREBIRD EARLY	APPLICATION
	A/C NON A/C 4-SPEED MAN. TRANS.	A/C NON A/C AUTO. TRANS.	A/C NON A/C AUTO. TRANS.	A/C NON A/C AUTO. TRANS.	CARBURETOR No.
	17058263	17058266	17058274	17058276	REPLACEMENT PACKAGE No.
	24-6075	24-6077	24-6076	24-6078	OVERHAUL KIT
	17055654	17055651	17055651	17055651	POWER CARBURETOR KIT
	9344				GASKET SET
	40-468				

Illus. No.	AIR HORN PARTS				
1	17055652	17055649	17055649	17055649	Air Horn Assembly
2	17056357				Gasket—Air Horn
3	7048169				Lever—Pump Actuating
4	9428787				Roll Pin—Pump & Lockout Lever Hinge
5	7029912				Screw—Air Horn
6	7014699				Screw—Air Horn
7	7031105				Screw—Air Horn
8	7047806				Metering Rod—Secondary
9	7034522				Sec. Metering Rod Holder Kit
—	7035344				Air Valve Spring & Cam Kit
	CHOKE PARTS				
10	7043393				Link—Aux. Vacuum Break
11	7043682				Screw—Aux. Vac. Break Mounting

	17058263	17058266	17058274	17058276	CARBURETOR No.
Illus. No.	CHOKE PARTS (Continued)				
12	17051956				Stat Cover, Coil & Gasket Assy.
13	17050961				Gasket—Stat Cover
14	17054572				Vacuum Break Control & Bracket Assy.
15	17053083				Aux. Vac. Brk. Control & Bracket Assy.
16	7041527				Rod—Vacuum
17	17050732				Screw—Control Attaching
18	7041484				Cam—Fast Idle
19	7026339				Hose—Vacuum
20	7038259				Choke Shaft
21	7041558				Choke Valve
22	7029866				Screw—Choke Valve
23	7031231				Lever—Intermediate Choke
24	17056305				Rod—Choke
25	17051996				Choke Housing Kit
26	17050754				Inter. Choke Shaft & Lever Assy.
—	7037569				Seal—Inter. Choke Shaft
—	7043367				Seal—Choke Housing to Bowl
27	7043368				Lever—Stat Coil
28	7019709				Screw—Coil Lever
29	7038808				Screw—Choke Housing to Bowl
30	7041542				Lever—Choke
31	7029866				Screw—Choke Lever
32	7000614				Retainer—Stat Cover
33	7011270				Screw—Stat Cover
FLOAT BOWL PARTS					
34	17055653	17055655	17055646	17065104	Float Bowl Assembly
35	7031970	7031972	7031972	7031972	Jet—Primary
36	7002117				Ball—Pump Discharge
37	7029849				Retainer—Pump Discharge Ball
38	30-148				Needle & Seat Assy.
39	KIT ONLY				Gasket—Needle Seat
40	7033751				Pull Clip—Float Needle
41	7044332				Float Assembly
42	7041469				Hinge Pin—Float Assembly
43	17051792				Power Piston Assembly Primary
44	7029529				Spring—Power Piston Primary
45	17051339	17051345	17051345	17051345	Metering Rod—Primary
46	7041459				Spring—Metering Rod—Primary
47	17059861				Filter Nut—Fuel Inlet
48	7024281				Gasket—Filter Nut
49	GF-471				Filter—Fuel Inlet
50	7032732				Spring Fuel Filter
51	7003176				Spring—Idle Stop Screw
52	7002121				Screw—Idle Stop
53	7041471				Insert—Float Bowl
54	7031365				Baffle—Float Bowl
55	7042979				Spring—Pump Return
56	7048871				Pump Assembly
57	7026138				Rod Pump
58	17051796				Insert—Aneroid & Cavity
—	7041473				Lever—Secondary Lockout
THROTTLE BODY PARTS					
59	17058660	17060717	17060646	17061195	Throttle Body Assembly
60	KIT ONLY				Gasket—Throttle Body
61	7035790				Screw—Throttle Body
62	7048532				Idle Needle
63	7011479				Spring—Idle Needle
64	7041497				Lever—Cam Follower
65	17051494				Spring—Cam Lever
66	7041498				Fast Idle Lever
67	7036079				Screw—Fast Idle Lever Attaching
68	7044794				Screw—Fast Idle Adjusting
69	7029900				Spring—Fast Idle Screw
70	498796				Gasket—Flange



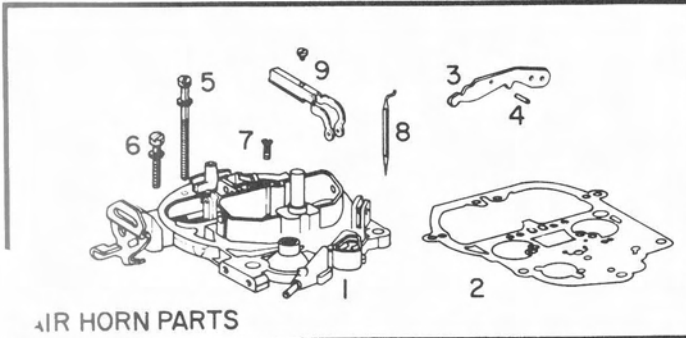
Delco Carburetor

MODEL M4MC QUADRAJET

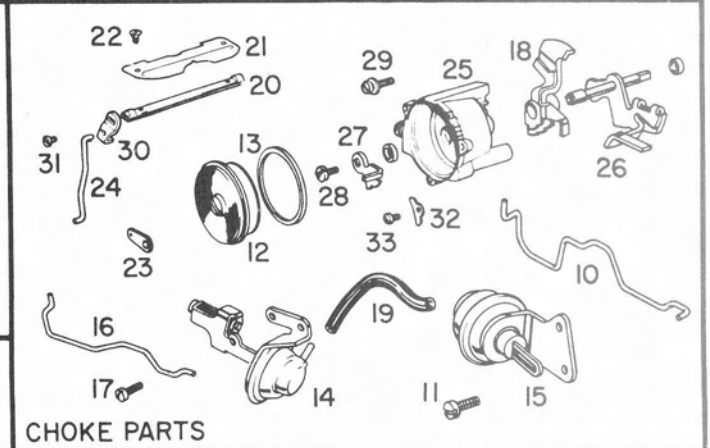
1978 PONTIAC & FIREBIRD
(LATE)
400 CUBIC INCH ENGINE

BULLETIN: 9C-6110-A
DATE: NOVEMBER 1977
PAGE: 1

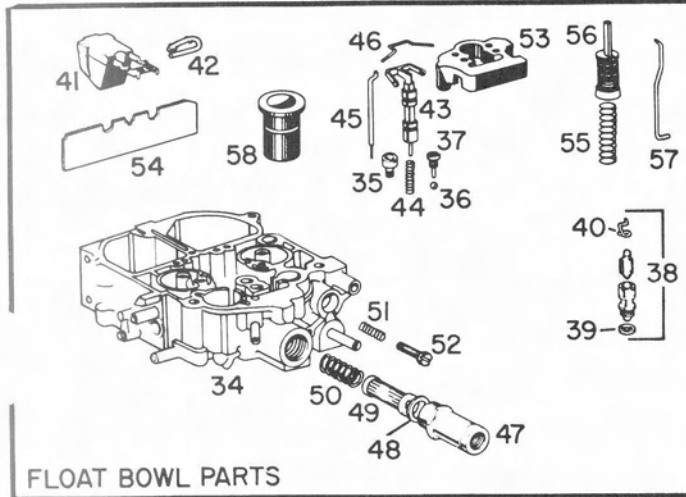
PARTS SHOWN ARE FOR IDENTIFICATION ONLY. CONSULT PARTS LIST FOR CORRECT PART NAME AND NUMBER



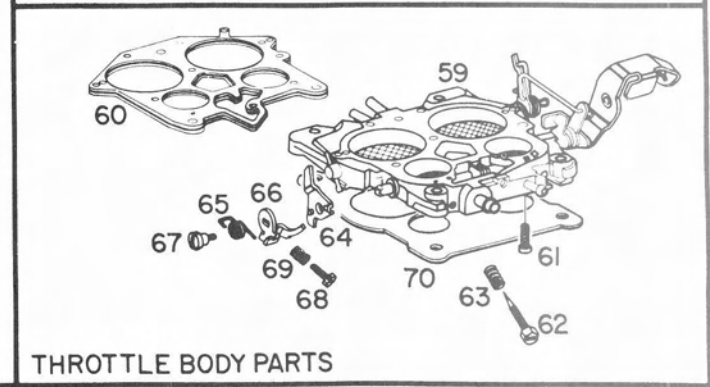
AIR HORN PARTS



CHOKE PARTS



FLOAT BOWL PARTS



THROTTLE BODY PARTS

PARTS IN ALL COLUMNS SAME — EXCEPT WHERE INDICATED

	FEDERAL B-SEDAN & WAGON (LATE) A/C NON A/C AUTO. TRANS.	FEDERAL FIREBIRD (LATE) A/C NON A/C AUTO. TRANS.	APPLICATION
	17058264	17058278	CARBURETOR No.
	24-6079	24-6080	REPLACEMENT PACKAGE No.
	17055651		OVERHAUL KIT
	9344		POWER CARBURETOR KIT
	40-468		GASKET SET
Illus. No.	AIR HORN PARTS		
1	17055649		Air Horn Assembly
2	17056357		Gasket—Air Horn
3	7048169		Lever—Pump Actuating
4	9428787		Roll Pin—Pump & Lockout Lever Hinge
5	7029912		Screw—Air Horn
6	7014699		Screw—Air Horn
7	7031105		Screw—Air Horn
8	7047806		Metering Rod—Secondary
9	7034522		Sec. Metering Rod Holder Kit
—	7035344		Air Valve Spring & Cam Kit
	CHOKE PARTS		
10	7043393		Link—Aux. Vac. Break
11	7043682		Screw—Aux. Vac. Break Mounting

	17058264	17058278	CARBURETOR No.
Illus. No.	CHOKE PARTS (Continued)		
12	17051956		Stat Cover, Coil & Gasket Assy.
13	17050961		Gasket—Stat Cover
14	17054572		Vacuum Break Control & Brkt. Assy.
15	17053083		Aux. Vac. Brk. Control & Brkt. Assy.
16	7041527		Rod—Vacuum
17	17050732		Screw—Control Attaching
18	7041484		Cam—Fast Idle
19	7026339		Hose—Vacuum
20	7038259		Choke Shaft
21	7041558		Choke Valve
22	7029866		Screw—Choke Valve
23	7031231		Lever—Intermediate Choke
24	17056305		Rod—Choke
25	17051996		Choke Housing Kit
26	17050754		Inter. Choke Shaft & Lever Assy.
—	7037569		Seal—Inter. Choke Shaft
—	7043367		Seal—Choke Hsg. to Bowl
27	7043368		Lever—Stat Coil
28	7019709		Screw—Coil Lever
29	7038808		Screw—Choke Hsg. to Bowl
30	7041542		Lever—Choke
31	7029866		Screw—Choke Lever
32	7000614		Retainer—Stat Cover
33	7011270		Screw—Stat Cover
	FLOAT BOWL PARTS		
34	17055646	17065104	Float Bowl Assembly
35	7031972		Jet—Primary
36	7002117		Ball—Pump Discharge
37	7029849		Retainer—Pump Discharge Ball
38	30-148		Needle & Seat Assy.
39	KIT ONLY		Gasket—Needle Seat
40	7033751		Pull Clip—Float Needle
41	7044332		Float Assembly
42	7041469		Hinge Pin—Float Assembly
43	17051792		Power Piston Assembly Primary
44	7029529		Spring—Power Piston Primary
45	17051345		Metering Rod—Primary
46	7041459		Spring—Metering Rod—Primary
47	17059861		Filter Nut—Fuel Inlet
48	7024281		Gasket—Filter Nut
49	GF-471		Filter—Fuel Inlet
50	7032732		Spring Fuel Filter
51	7003176		Spring—Idle Stop Screw
52	7002121		Screw—Idle Stop
53	7041471		Insert—Float Bowl
54	7031365		Baffle—Float Bowl
55	7042979		Spring—Pump Return
56	7048871		Pump Assembly
57	7026138		Rod Pump
58	17051796		Insert—Aneroid & Cavity
—	7041473		Lever—Secondary Lockout
	THROTTLE BODY PARTS		
59	17060646	17061195	Throttle Body Assembly
60	KIT ONLY		Gasket—Throttle Body
61	7035790		Screw—Throttle Body
62	7048532		Idle Needle
63	7011479		Spring—Idle Needle
64	7041497		Lever—Cam Follower
65	17051494		Spring—Cam Lever
66	7041498		Fast Idle Lever
67	7036079		Screw—Fast Idle Lever Attaching
68	7044794		Screw—Fast Idle Adjusting
69	7029900		Spring—Fast Idle Screw
70	498796		Gasket—Flange

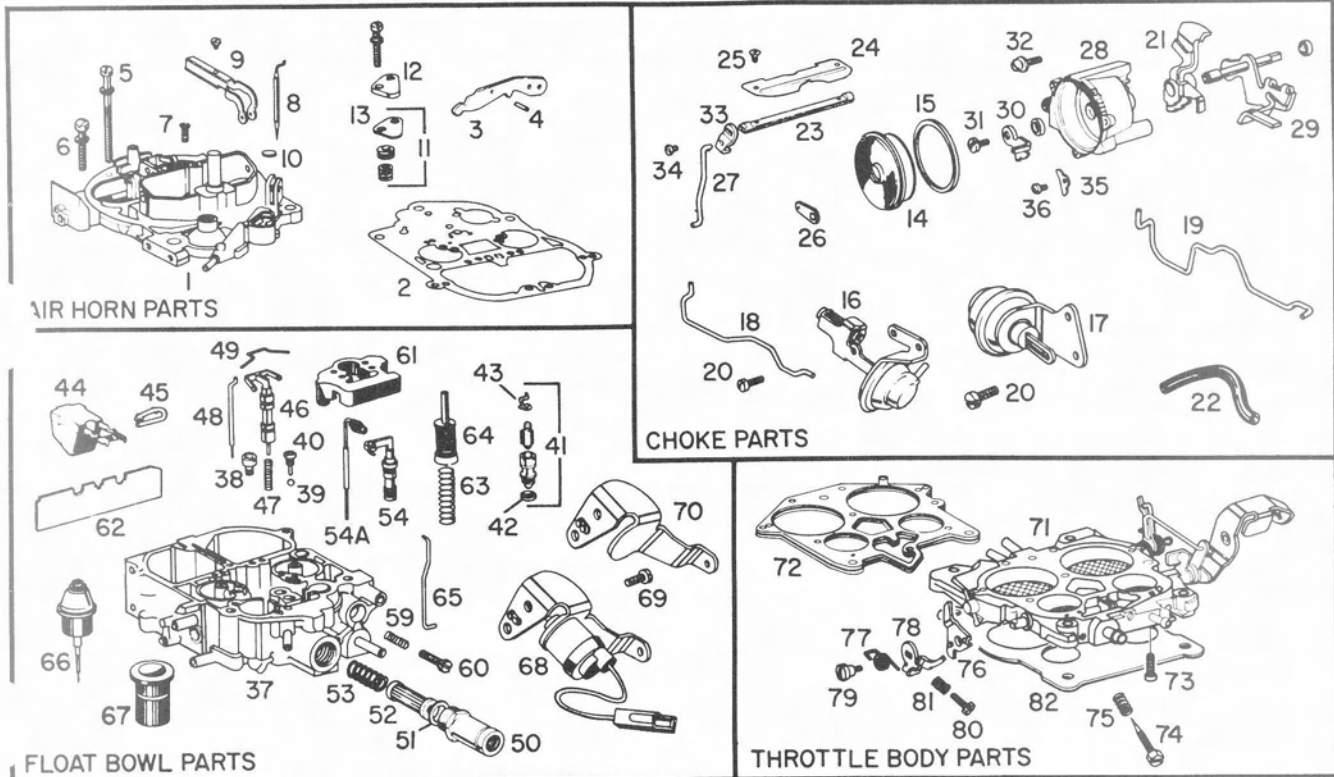


Delco Carburetor

MODEL M4MC QUADRAJET
1978 PONTIAC & FIREBIRD
350-403 CUBIC INCH ENGINE

BULLETIN: 9C-6111
DATE: NOVEMBER 1977
PAGE: 1

PARTS SHOWN ARE FOR IDENTIFICATION ONLY. CONSULT PARTS LIST FOR CORRECT PART NAME AND NUMBER



PARTS IN ALL COLUMNS SAME — EXCEPT WHERE INDICATED

	ALTITUDE 350-CU. IN. B-SEDAN & WAGON	CALIFORNIA 350-CU. IN. B-SEDAN & WAGON	ALTITUDE 403-CU. IN. B-SEDAN & WAGON FIREBIRD	CALIFORNIA 403-CU. IN. B-SEDAN & WAGON FIREBIRD	APPLICATION
	A/C NON A/C AUTO. TRANS.	A/C NON A/C AUTO. TRANS.	A/C NON A/C AUTO. TRANS.	A/C NON A/C AUTO. TRANS.	CARBURETOR No.
	17058258	17058553	17058258	17058553	REPLACEMENT PKG. No.
	24-5030	24-5032	24-5030	24-5032	OVERHAUL KIT
	17055629	17055627	17055629	17055627	POWER CARB. KIT
	9341				GASKET SET
	40-466				

Illus. No.	AIR HORN PARTS				
1	17055621				Air Horn Assembly
2	17056357				Gasket—Air Horn
3	7048169				Lever—Pump Actuating
4	9428787				Roll Pin—Pmp. & Lckt. Lvr. Hng.
5	7029912				Screw—Air Horn
6	7014699				Screw—Air Horn
7	7031105				Screw—Air Horn
8	7045984				Metering Rod—Secondary
9	7034522				Sec. Mtrng. Rod Holder Kit
—	7035344				Air Vlv. Spring & Cam Kit
10	—				Plug—Idle Vent
11	—				Idle—Vent Valve Kit
12	—				Cover—Idle Vent
13	—				Gasket—Idle Vent Cover
	CHOKE PARTS				
14	17054309				Stat Cvr., Coil & Gasket Assy.
15	17050961				Gasket—Start Cover
16	7044435				Vac. Brk. Control & Brkt. Assy.
17	17056548				Aux.—Vac. Brk. Con., Brkt. Assy.

	17058258	17058553	17058258	17058553	CARBURETOR No.
Illus. No.	CHOKE PARTS (Continued)				
18	7041527				Rod-Vac. Break
19	7043466				Link-Aux. Vac. Break
-	7043682				Screw-Aux. Vac. Brk. Mnting.
20	17050732				Screw-Control Attaching
21	17056632				Cam-Fast Idle
22	7026339				Hose-Vacuum
23	7038259				Choke Shaft
24	7048904				Choke Valve
25	7029866				Screw-Choke Valve
26	7031231				Lever-Intermediate Choke
27	7041472				Rod-Choke
28	17055623	17055613	17055623	17055613	Choke Housing Kit
29	17050754				Inter. Chk. Shaft & Lvr. Assy.
-	7037569				Seal-Inter. Choke Shaft
-	7043367				Seal-Choke Hsg. to Bowl
30	7043368				Lever-Stat Coil
31	7019709				Screw-Coil Lever
32	7038808				Screw-Choke Hsg. to Bowl
33	7041542				Lever-Choke
34	7029866				Screw-Choke Lever
35	7000614				Retainer-Stat Cover
36	7011270				Screw-Stat Cover
	FLOAT BOWL PARTS				
37	17055628	17055626	17055628	17055626	Float Bowl Assembly
38	7031970	7031974	7031970	7031974	Jet-Primary
39	7002117				Ball-Pump Discharge
40	7029849				Retainer-Pump Disch. Ball
41	30-134				Needle & Seat Assy.
42	KIT ONLY				Gasket-Needle Seat
43	7033751				Pull Clip-Float Needle
44	7046300				Float Assembly
45	7041469				Hinge Pin-Float Assy.
46	7044449				Power Piston Assembly
47	17051705				Spring-Pwr. Piston-Primary
-	-				Spring-Pwr. Piston-Aux.
48	17056950	17056952	17056950	17056952	Metering Rod-Primary
49	7041459				Spring-Mtring. Rod-Primary
50	17059861				Filter Nut-Fuel Inlet
51	7024281				Gasket-Filter Nut
52	GF-471				Filter-Fuel Inlet
53	7032732				Spring Fuel Filter
54	-				Aux. Power Piston Assy.
-	7041473				Lever-Secondary Lockout
55	-				Idle Compensator Assy.
56	-				Gasket-Idle Compensator
57	-				Cover-Idle Compensator
58	-				Screw-Cover Attaching
59	7003176				Spring-Idle Stop Screw
60	7002121				Screw-Idle Stop
61	7041471				Insert-Float Bowl
62	7031365				Baffle-Float Bowl
63	7042979				Spring Pump Return
64	17053072				Pump Assembly
65	7026138				Rod-Pump
66	-				A.P.T. Rod Assembly
67	7044330				Aneroid Insert
68	7043619				Solenoid & Bracket Assy.
69	7043682				Screw-Bracket Attaching
70					Bracket-Thr. Return Spring
	THROTTLE BODY PARTS				
71	17058650	17060215	17058650	17060215	Throttle Body Assembly
72	KIT ONLY				Gasket-Throttle Body
73	7035790				Screw-Throttle Body
74	7048532				Idle Needle
75	7011479				Spring-Idle Needle
76	7041497				Lever-Cam Follower
77	17051494				Spring-Cam Lever
78	7041498				Fast Idle Lever
79	7036079				Screw-Fast Idle Lever
80	7044794				Screw-Fast Idle Adjusting
81	7029900				Spring-Fast Idle Screw
82	419047				Gasket-Flange

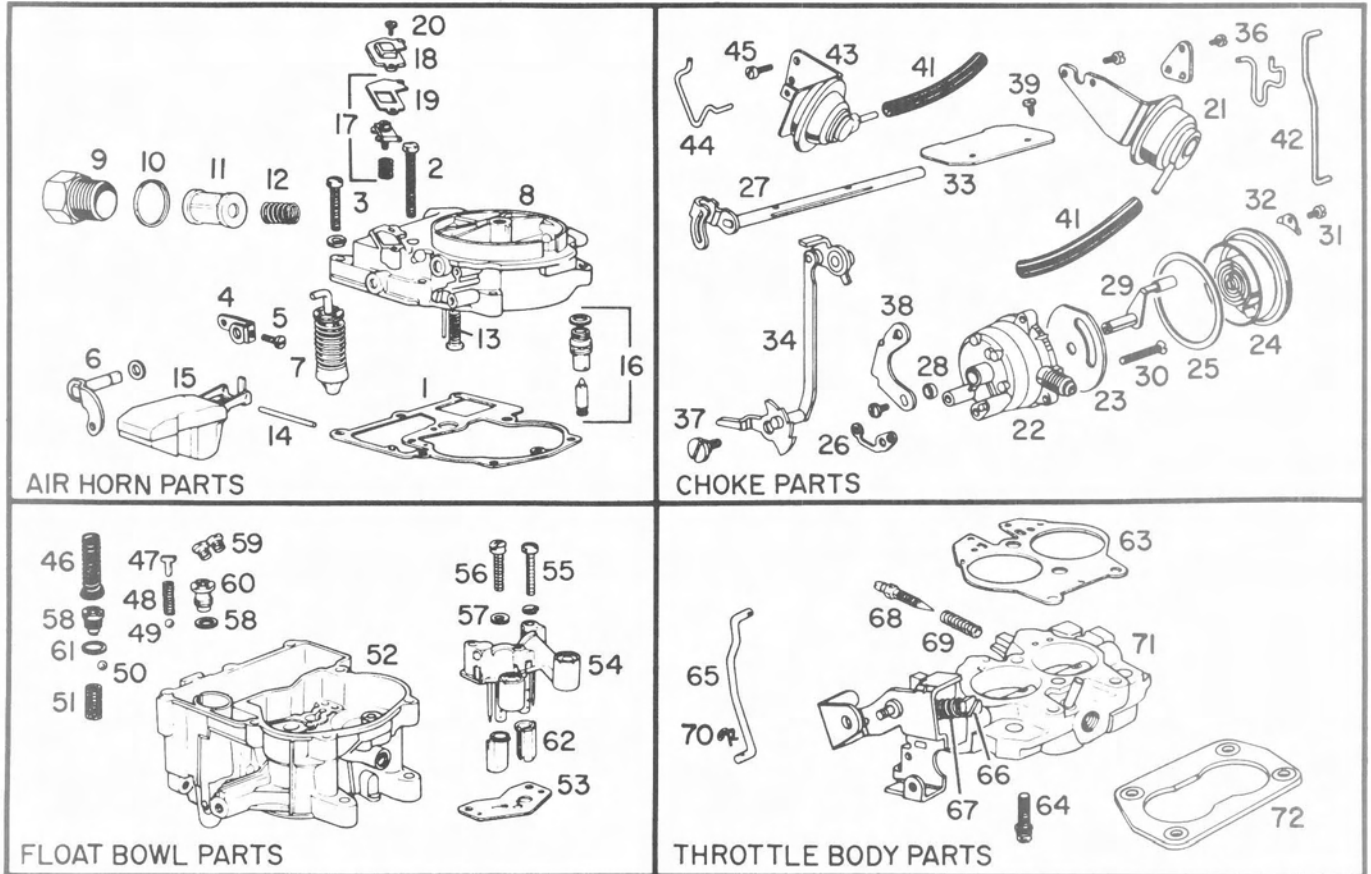


Delco Carburetor

**MODEL 2GV-2GC CARBURETORS
1970-76 PONTIAC LEMANS, GRAND PRIX, FIREBIRD
(SERVICE CARBURETORS)
350 & 400 CUBIC INCH ENGINES**

**BULLETIN 9C-6112
DATE: SEPTEMBER 1979
PAGE 1
Replaces 9C-6112
Dated July 1978**

A-LeMans, Grand Am; ASP-Grand Prix; B-Catalina, Bonneville; F-Firebird; HSP-Sunbird; X-Phoenix



PARTS SHOWN ARE FOR IDENTIFICATION ONLY. CONSULT PARTS LIST FOR CORRECT PART NAME AND NUMBER

PARTS IN ALL COLUMNS SAME — EXCEPT WHERE INDICATED

	1979 2GV 350-CU. IN. ALL TRANS.	A, ASP, F 1975-76 2GC 350-400-CU. IN. AUTO. TRANS.	1971 2GV 400-CU. IN. AUTO. TRANS.	APPLICATION
	17054666	17054667	17055520	CARBURETOR No.
	22-6049	22-6050	22-6062	REPLACEMENT PKG. No.
	N.S.S.	17054953	N.S.S.	OVERHAUL KIT
	N.S.S.	9294	9242	POWER CARB. KIT
	40-381	40-445	40-407	GASKET SET
Illus. No.	AIR HORN PARTS			
1	7046323	17050409	7046323	Gasket—Air Horn
2	7010432			Screw—Air Horn—Long
3	7006119			Screw—Air Horn—Short
4	7032377			Pump Lever—Inside
5	7011270			Screw—Pump Lever
6	7027123	7049900	7027123	Pump Shaft & Lever Assy.
7	7036282	17050232	7036282	Pump Assembly
8	N.S.S.	17065264	7041826	Air Horn Assembly
9	7044786	7040955	7044786	Filter Nut—Fuel Inlet
10	7032508			Gasket—Filter Nut
11	7013404	GF-470	7013404	Filter—Fuel Inlet
12	7010007	7034356	7010007	Spring—Filter
13	7035603	7006323	7006323	Power Piston Assy.

	17054666	17054667	17055520	CARBURETOR No.
	AIR HORN PARTS (Con't)			
Illus. No.				
14	7010037	7002081	7010037	Pin—Float Hinge
15	7032887	7037512	7037512	Float Assembly
16	7023813	7035132	7035147	Needle & Seat Assy.
17	7041807	17052733	NONE	Idle Vent Valve Kit
18	NONE	17050272	NONE	Cover—Vent Valve
19	NONE	17053051	NONE	Gasket—Vent Valve
	7005032	—	7005032	*Clip—Pump Plunger
	7013584	—	7013584	*Gasket—Fuel Filter
	7006474	—	—	Pull Clip—Float Needle
	KIT ONLY			*Gasket—Needle Seat
	7024530	—	—	Spring—Vent Diaphragm
20	NONE	7015127	NONE	Screw—Cover
	CHOKE PARTS			
21	7038941	7043586	7045915	Vacuum Break Control & Bracket Assy.
—	7038942	NONE	NONE	Vacuum Break Control Assy.
22	NONE	7047853	NONE	Choke Housing
23	NONE	7037239	NONE	Baffle Plate
24	NONE	7046739	NONE	Stat Cover, Coil & Gasket Assy.
25	NONE	17050961	NONE	Gasket—Stat Cover
26	NONE	7037796	NONE	Gasket—Choke Housing
27	7037770	—	7042686	Link—Vacuum Break
28	NONE	7037569	NONE	Dust Seal—Inter. Choke Shaft
29	NONE	7037227	NONE	Intermediate Choke Shaft Assy.
30	NONE	7013704	NONE	Screw—Choke Housing
31	NONE	7011270	NONE	Screw—Stat Cover
32	NONE	7000614	NONE	Retainer—Stat Cover
33	7033443			Valve—Choke
34	7035976	17050491	7035976	Choke Lever Link & Cam Assy.
35	7038044	—	7038044	Choke Lever
36	7019709			Screw—Choke Levers
37	7036222			Screw—Cam Attaching
	—	17051941	—	Choke Shaft, Lever and Link Kit
38	NONE	7030990	NONE	Intermediate Choke Lever
39	7007627			Screw—Choke Valve
40	7038045	—	7038045	Choke Shaft Assembly
41	7026339			Hose—Vacuum
42	NONE	7043159	NONE	Choke Rod
43	NONE	7044064	NONE	Aux. Vacuum Break & Brkt. Assy.
44	NONE	7043147	NONE	Link—Aux. Vacuum Break
45	7037570			Screw—Control Attaching
	FLOAT BOWL PARTS			
46	7004597	17050241	7004597	Spring—Pump Return
47	KIT ONLY			Guide—Pump Discharge
48	7002118			Spring—Pump Discharge
49	7002117			Ball—Pump Discharge
50	7002120	17050240	7002120	Ball—Pump Inlet Check
51	7004557	NONE	7004557	Strainer—Pump Inlet
52	N.S.S.	17052998	7046638	Float Bowl Assembly
53	KIT ONLY			Gasket—Venturi Cluster
54	7040866	17053361	7047161	Venturi Cluster Assembly
55	7045762			Screw—Cluster—Outer
56	7009077			Screw—Cluster—Center
57	KIT ONLY			Gasket—Center Screw
58	NONE	17050246	NONE	Aux. Power Valve
59	7002658	7002648	7002657	Jet—Standard
60	7011989	17053648	7011989	Power Valve Assembly
61	KIT ONLY			Gasket—Power Valve
62	NONE	7037286	7037286	Insert—Main Well
	7037834	NONE	7037834	Idle Compensator Assy.
63	KIT ONLY	NONE	KIT ONLY	Gasket—Idle Compensator
64	7015127	NONE	7015127	Screw—Idle Compensator
	THROTTLE BODY PARTS			
63	KIT ONLY			Gasket—Throttle Body
64	7015105			Screw—Throttle Body
65	7041345			Pump Rod Kit
66	7029427			Idle Stop Screw
67	7029428	7029428	—	Spring—Idle Stop Screw
68	7048860	17050301	7048863	Idle Needle
69	7011479			Spring—Idle Needle
70	7018186			Clip—Pump Rod
71	N.S.S.	17053993	N.S.S.	Throttle Body Assembly
72	490327	496675	490327	Flange Gasket

NOTE: REPLACE WITH 17051941 CHOKE SHAFT, LEVER & LINK
KIT
N.S.S. — NOT SERVICED SEPARATELY

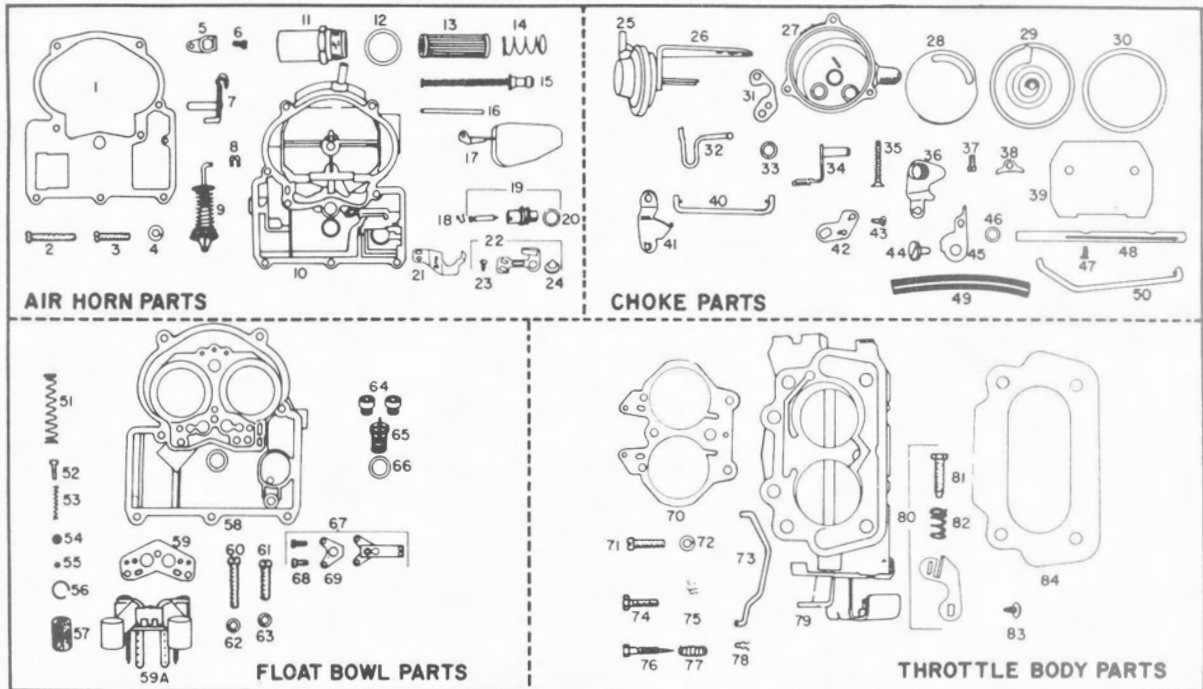


Delco Carburetor

**MODEL 2GC CARBURETORS
1970-72 OLDSMOBILE CUTLASS, OMEGA
350/455 CUBIC INCH ENGINES
(SERVICE CARBURETOR)**

**BULLETIN: 9C-6113
DATE: SEPTEMBER 1979
PAGE: 1
Replaces 9C-6113
Dated November 1977**

A-Cutlass Salon; ASP-Cutlass Supreme; B-Delta; C-Ninety-eight; E-Toronado; HSP-Starfire; X-Omega



PARTS SHOWN ARE FOR IDENTIFICATION ONLY. CONSULT PARTS LIST FOR CORRECT PART NAME AND NUMBER

PARTS IN ALL COLUMNS SAME — EXCEPT WHERE INDICATED

	ALL TRANS.	APPLICATION
	17054665	CARBURETOR No.
	22-578	REPLACEMENT PACKAGE No.
	7041710	OVERHAUL KIT
	9207	POWER CARBURETOR KIT (NEO-tiP)
	9206	POWER CARBURETOR KIT (STEEL)
	40-394	GASKET SET
Illus. No.	AIR HORN PARTS	
1	7042766	Gasket—Air Horn
2*	7010432	Screw—Air Horn—Long
3	7006119	Screw—Air Horn—Short
4	—	Lockwasher—Air Horn Screw
5	—	Pump Lever—Inside
6	7011270	Screw—Pump Lever
7	7036764	Pump Shaft & Lever Kit.
—	7019568	Washer—Pump Shaft
8	—	Clip—Pump Lever
9	7037562	Pump Assembly
10	N.S.S.	Air Horn Assembly
11	7040957	Filter Nut—Fuel Inlet
12	7032508	Gasket—Filter Nut
13	GF-441	Filter—Fuel Inlet
14	7032732	Spring—Fuel Inlet Filter
15	7006011	Power Piston Assembly
16	7010037	Pin—Float Hinge
17	7037512	Float Assembly
18	—	Pull Clip—Float Needle
19	7035132	Needle & Seat Assy. (Neo-tiP)
19	7035386	Needle & Seat Assy. (Steel)
20	KIT ONLY	Gasket—Needle Seat
21	—	Shield—Idle Vent
22	—	Idle Vent Valve Kit
23	—	Screw—Idle Vent Valve
24	—	Idle Vent Valve

17054665		CARBURETOR No.
Illus. No.	CHOKE PARTS	
25	—	Vacuum Break Control Assembly
26	7035996	Vacuum Break Control & Bracket Assy.
—	7037570	Screw—Control Attaching
27	7045919	Choke Housing
28	7037239	Baffle Plate
29	7041709	Stat Cover, Coil & Gasket Assy.
30	7002760	Gasket—Stat Cover
31	7037796	Gasket—Choke Housing
32	17050502	Link—Vacuum Break Kit
33	KIT ONLY	Dust Seal—Inter. Choke Shaft & Choke Shaft
34	7037227	Intermediate Choke Shaft Assy.
35	7013704	Screw—Choke Housing
36	7038978	Cam Lever & Bushing Assembly
37	7011270	Screw—Stat Cover
38	7000614	Retainer—Stat Cover
39	7033443	Valve—Choke
40	7038981	Rod—Intermediate Choke
41	7037904	Lever—Intermediate Choke
42	17050502	Choke Lever Kit
43	7019709	Screw—Choke Levers
44	7003561	Screw—Cam Attaching
45	7043646	Cam—Fast Idle
46	7038660	Washer—Cam
47	7007627	Screw—Choke Valve
48	17050502	Choke Shaft Lever & Link Kit
49	7026339	Hose—Vacuum
50	7037241	Rod—Choke
FLOAT BOWL PARTS		
51	7004597	Spring—Pump Return
52	KIT ONLY	Guide—Pump Discharge
53	7002118	Spring—Pump Discharge
54	7002117	Ball—Pump Discharge
55	7002120	Ball—Pump Inlet Check
56	7034609	Retainer—Check Ball
57	7004557	Strainer—Pump Inlet
58	NSS	Float Bowl Assembly
59	KIT ONLY	Gasket—Venturi Cluster
59A	NSS	Venturi Cluster Assembly
60	7045762	Screw—Cluster—Outer
61	7009077	Screw—Cluster—Center
62	—	Lockwasher—Outer Screw
63	KIT ONLY	Gasket—Center Screw
64	7002654	Jet—Standard
65	7011989	Power Valve Assembly
66	—	Gasket—Power Valve
67	NSS	Idle Compensator Assembly
68	KIT ONLY	Screw—Idle Compensator
69	KIT ONLY	Gasket—Idle Compensator
—	7030735	Solenoid—Idle Stop
—	7030616	Bracket & Washer Assy.
—	7042654	Nut—Solenoid Retaining
—	7043682	Screw—Bracket Attaching
THROTTLE BODY PARTS		
70	KIT ONLY	Spacer—Throttle Body
71	7043731	Screw—Throttle Body
72	—	Lockwasher—Throttle Body
73	7036807	Rod—Pump
74	7002121	Idle Stop Screw
75	7009728	Spring—Idle Stop Screw
76	7048861	Idle Needle
77	7011479	Spring—Idle Needle
78	7018186	Clip—Pump Rod
79	NSS	Throttle Body Assembly
80	7037222	Fast Idle Lever Assy.
81	7029427	Screw—Fast Idle
82	7029428	Spring—Fast Idle Screw
83	7010435	Screw—Lever Attaching
84	578912	Flange Gasket

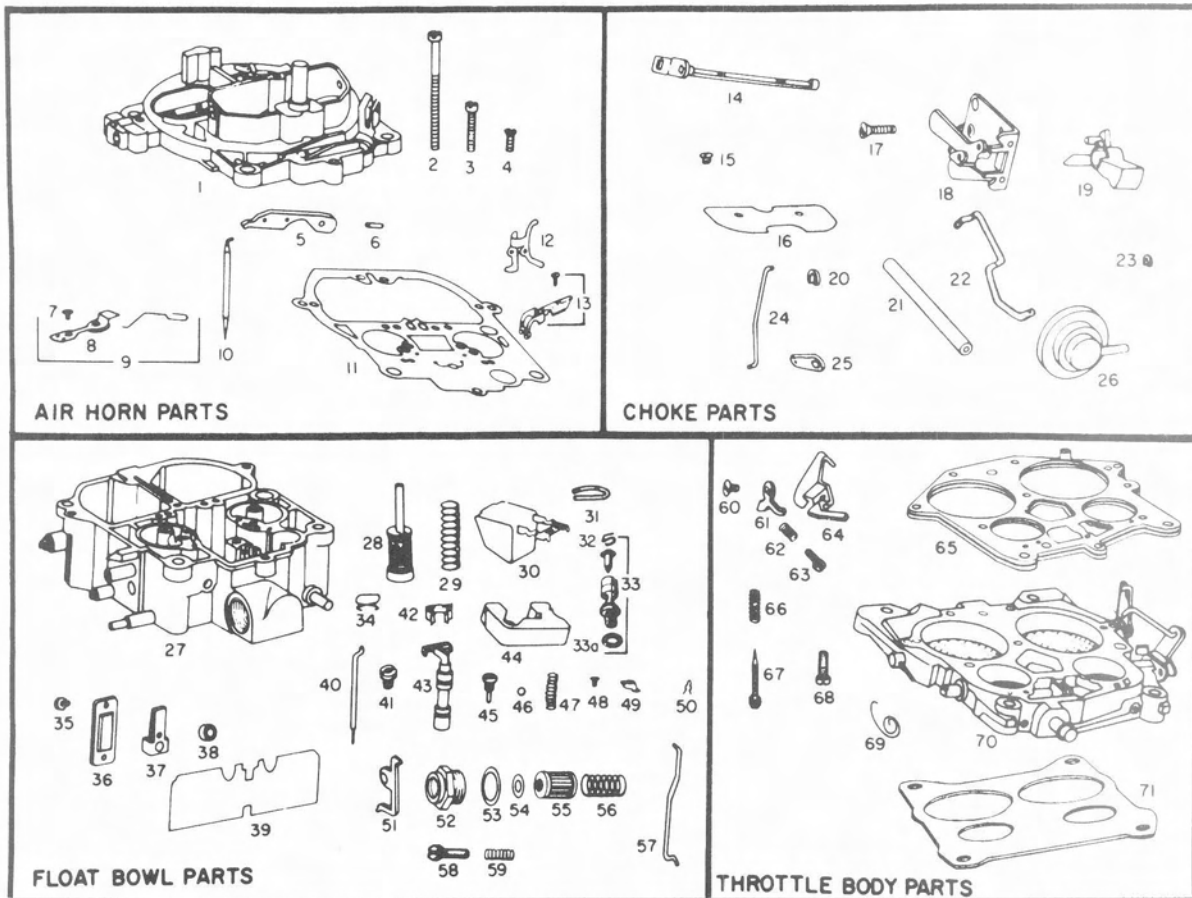


Delco Carburetor

MODEL 4MV QUADRAJET
 1968-69 PONTIAC GRAND PRIX, FIREBIRD, BONNEVILLE,
 TEMPEST
 (SERVICE CARBURETORS)
 250, 350, 400 AND 428 CUBIC INCH ENGINE

BULLETIN 9C-6114
 DATE: SEPTEMBER 1979
 PAGE: 1
 Replaces 9C-6114
 Dated November 1977

A-LeMans, Grand Am; ASP-Grand Prix; B-Catalina, Bonneville; F-Firebird; HSP-Sunbird; X-Phoenix



PARTS SHOWN ARE FOR IDENTIFICATION ONLY. CONSULT PARTS LIST FOR CORRECT PART NAME AND NUMBER

PARTS IN ALL COLUMNS SAME — EXCEPT WHERE INDICATED

	A, ASP, F, B 350-400-428 CU. IN. M/T & A/T	A, F, 250-CU. IN. M/T & A/T	APPLICATION
	17054905	17054906	CARBURETOR No.
	24-6050	24-6051	REPLACEMENT PACKAGE No.
	NSS	NSS	OVERHAUL KIT
	9160		POWER CARBURETOR KIT
	40-354		GASKET SET
Illus. No.	AIR HORN PARTS		
1	NSS		Air Horn Assembly
2	7029912		Screw—Air Horn
3	7014699		Screw—Air Horn
4	7031105		Screw—Air Horn
5	7048169		Lever—Pump Actuating
6	9428787		Roll Pin—Pump and Lockout Levers
7	7012548		Screw—Idle Vent Valve
8	7029993		Valve—Idle Vent
9	7036498		Idle Vent Valve Kit
	—		Shield—Idle Vent
10	7034377		Metering Rod—Secondary
11	7029087		Gasket—Air Horn
12	7037968		Lockout Lever—Air Valve
13	7034522		Secondary Metering Rod Holder Kit
—	7035344		Air Valve Spring and Cam Kit

	17054905	17054906	CARBURETOR No.
Illus. No.		CHOKE PARTS	
14	7036430	7036434	Choke Shaft and Valve Kit
15	7029866		Screw—Choke Valve
16	—		Valve—Choke
17	7031925		Screw—Vacuum Break Control
18	17053714	NSS	Vacuum Break Control and Bracket Assembly
19	7040985	NSS	Cam—Fast Idle
20	7005109		Clip—Choke Rod
21	7026339		Hose—Vacuum
22	7038167		Rod—Vacuum Break
23	7005109		Clip—Vacuum Break Rod
24	7036067	7031394	Rod—Choke
25	7031231		Lever—Intermediate Choke
26	7038237	7038239	Vacuum Break Control Assembly
		FLOAT BOWL PARTS	
27	NSS		Float Bowl Assembly
28	7035829		Pump Assembly
29	7008694		Spring—Pump Return
30	7033752	70334454	Float Assembly
31	7029856		Hinge Pin—Float
32	7033751		Pull Clip—Float Needle
33	7035142		Needle and Seat Assembly
33A	KIT ONLY		Gasket—Needle Seat
34	7029862		Spring—Metering Rod—Primary
35	—		Screw—Cover Attaching
36	—		Cover—Idle Compensator
37	—		Idle Compensator Assembly
38	—		Gasket—Idle Compensator
39	7031365		Baffle Plate—Float Bowl
40	7034841		Metering Rod—Primary
41	7031973	7031970	Metering Jet—Primary
42	—		Retainer—Power Piston
43	7034637		Power Piston Assembly
44	7034361		Insert—Float Bowl
45	7029849		Retainer—Pump Discharge Ball
46	7002117		Ball—Pump Discharge
47	7037305		Spring—Power Piston
48	—		Screw—Diaphragm Retainer
49	—		Retainer—Float Needle Diaphragm
50	—		Clip—Pump Rod
51	—		Lockout Lever—Secondary
52	7040955	7034975	Filter Nut—Fuel Inlet
53	7032508		Gasket Filter Nut
54	—		Gasket—Filter
55	GF-427		Filter—Fuel Inlet
56	7034442		Spring—Inlet Filter
57	7026138		Rod—Pump
58	7002121		Screw—Idle Stop
59	7003176	7001690	Spring—Idle Screw
		THROTTLE BODY PARTS	
60	7036079		Screw—Cam and Fast Idle Lever Attaching
61	7030677		Lever—Fast Idle
62	7029900		Spring—Fast Idle Screw
63	7029899		Screw—Fast Idle Adjusting
64	7043634		Lever—Cam Follower
65	KIT ONLY		Gasket—Throttle Body
66	7011479		Spring—Idle Needle
67	7048530		Needle—Idle Adjusting
68	7035790		Screw—Throttle Body
69	17051494		Spring—Cam Follower Lever
70	NSS		Throttle Body Assembly
71	487316		Gasket—Flange

NSS — Not Serviced Separately



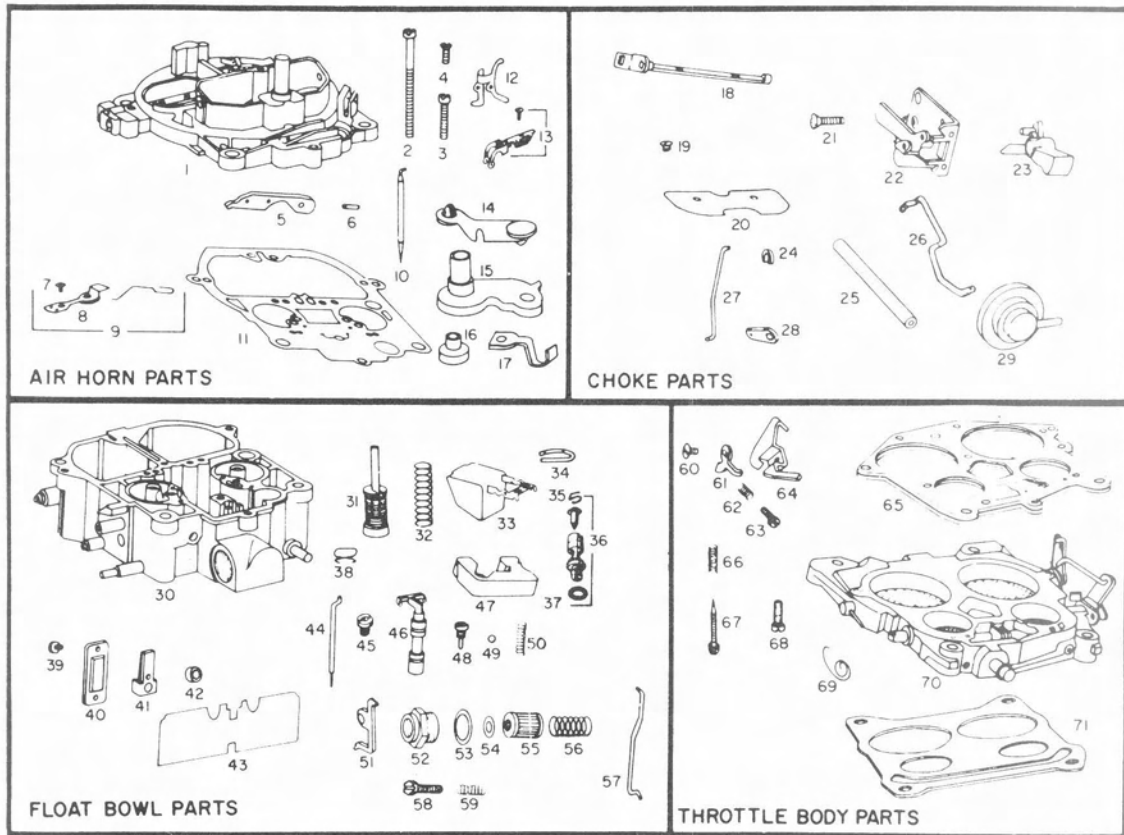
Delco Carburetor

MODEL 4 MV QUADRAJET

1970-72 PONTIAC TEMPEST, GRAND PRIX, FIREBIRD 400-455 CUBIC INCH ENGINE

BULLETIN: 9C-6115
 DATE: SEPTEMBER 1979
 PAGE: 1
 Replaces 9C-6115
 Dated November 1977

A-LeMans, Grand Am; ASP-Grand Prix; B-Catalina, Bonneville; F-Firebird; HSP-Sunbird; X-Phoenix



PARTS SHOWN ARE FOR IDENTIFICATION ONLY. CONSULT PARTS LIST FOR CORRECT PART NAME AND NUMBER

PARTS IN ALL COLUMNS SAME — EXCEPT WHERE INDICATED

	A, ASP, F 1971 400-455 CU. IN.	A, ASP 1970 400-455 CU. IN. CALIF.	A, ASP, F 1972 455 HI.PERF.	A, ASP, F 1972 455 CU. IN.	A, ASP, F 1972 400 CU. IN.	APPLICATION
	M/T & A/T	M/T & A/T	M/T & A/T	AUTO. TRANS.	M/T & A/T	CARBURETOR No.
	17054907	17054908	17054909	17054947	17054948	REPLACEMENT PACKAGE No.
	24-6052	24-6053	24-6055	24-6054	24-6056	OVERHAUL KIT
	NSS	NSS	7046532	7046645	7046510	POWER CARBURETOR KIT
	9232	9183	9237	9243	9240	GASKET SET
	40-404					
Illus. No.	AIR HORN PARTS					
1	NSS	NSS	7046526	7046643	7046515	Air Horn Assembly
2	7029912					Screw—Air Horn
3	7014699					Screw—Air Horn
4	7043756	7031105	7031105	7031105	7031105	Screw—Air Horn
5	7048169					Lever—Pump Actuating
6	9428787					Roll Pin—Pump & Lockout Levers
7	—					Screw—Idle Vent Valve
8	—					Valve—Idle Vent
9	—					Idle Vent Valve Kit
—	—					Shield—Idle Vent
10	7040725	7045923	7045923	7045923	7045924	Metering Rod—Secondary
11	7029087					Gasket—Air Horn
12	7037968					Lockout Lever—Air Valve
13	7034522					Sec. Metering Rod Holder Kit
—	7035344					Air Valve Spring and Cam Kit
—	—	—	—	—	—	Slider—Secondary Rod
—	—	7036889	—	—	—	Diaphragm Kit—Vent Switch

	17054907	17054908	17054909	17054947	17054948	CARBURETOR No.
Illus. No.	AIR HORN PARTS (Continued)					
14	—	7038207	—	—	—	Vent Valve Assembly
15	7029032	7038213	7039032	7029032	7029032	Cover—Vent Switch
16	—	7038211	—	—	—	Retainer—Diaphragm Assembly
—	—	7038212	—	—	—	Spring—Vent Valve Return
—	KIT ONLY	—	—	—	—	Gasket—Cover
—	—	KIT ONLY	—	—	—	Seal—Diaphragm Stem
—	7038214	—	—	—	—	Screw—Cover (Short)
—	7010432	—	—	—	—	Screw—Cover (Long)
17	—	7038215	—	—	—	Lever—Override
—	—	—	—	—	—	Screw—Override Spring & Lever
CHOKE PARTS						
18	7036888	—	—	—	—	Choke Shaft and Valve Kit
19	7029866	—	—	—	—	Screw—Choke Valve
20	—	—	—	—	—	Valve—Choke
21	7031925	—	—	—	—	Screw—Vacuum Break Control
22	7043988	7038718	7045931	7045931	7045931	Vacuum Break Cont. & Bracket Assy.
23	7040985	—	—	—	—	Cam—Fast Idle
24	7005109	—	—	—	—	Clip—Choke Rod
25	7026339	—	—	—	—	Hose—Vacuum
26	7030701	—	—	—	—	Rod—Vacuum Break
27	7036067	—	—	—	—	Rod—Choke
28	7031231	—	—	—	—	Lever—Intermediate Choke
29	—	7026214	7030543	7030543	7030543	Vacuum Break Control Assembly
FLOAT BOWL PARTS						
30	NSS	7041323	7046518	7046513	NSS	Float Bowl Assembly
31	7038666	7038666	7044724	7047080	7038666	Pump Assembly
32	7004597	—	—	—	—	Spring—Pump Return
33	7037316	—	—	—	—	Float Assembly
34	7037317	—	—	—	—	Hinge Pin—Float
35	7033751	—	—	—	—	Pull Clip—Float Needle
36	7035142	7035142	7035142	7035148	7035148	Needle & Seat Assembly
37	KIT ONLY	—	—	—	—	Gasket—Needle Seat
38	7029862	—	—	—	—	Spring—Metering Rod—Primary
39	7020926	7020926	NONE	7029866	7029866	Screw—Cover Attaching
40	7029865	7029865	NONE	7029865	7029865	Cover—Idle Compensator
41	7035288	7035288	NONE	7035288	7035288	Idle Compensator Assembly
42	KIT ONLY	KIT ONLY	NONE	7027970	KIT ONLY	Gasket Idle Compensator
43	7031365	—	—	—	—	Baffle Plate—Float Bowl
44	7031844	7031837	7031843	7031844	7031847	Metering Rod—Primary
45	7031971	7031969	7031971	7031972	7031974	Metering Jet—Primary
46	7034637	—	—	—	—	Power Piston Assembly
47	7037319	—	—	—	—	Insert—Float Bowl
48	7029849	—	—	—	—	Retainer—Pump Discharge Ball
49	7002117	—	—	—	—	Ball—Pump Discharge
50	7037305	7029922	7029922	7029922	7029922	Spring—Power Piston
51	—	—	—	—	—	Lockout Lever—Secondary
52	7037578	7037578	7045605	7045605	7045605	Filter Nut—Fuel Inlet (See Note)
53	7032508	7032508	7024281	7024281	7024281	Gasket—Filter Nut
54	—	—	—	—	—	Gasket—Filter
55	GF-427	—	—	—	—	Filter—Fuel Inlet
56	7034442	—	—	—	—	Spring—Inlet Filter
57	7026138	—	—	—	—	Rod—Pump
58	7002121	—	—	—	—	Screw—Idle Stop
59	7003176	—	—	—	—	Spring—Idle Stop Screw
THROTTLE BODY PARTS						
60	7036079	—	—	—	—	Screw—Cam & Fast Idle Levers Attch.
61	7035774	7035774	7030677	7030677	7030677	Lever—Fast Idle
62	7029900	—	—	—	—	Spring—Fast Idle Screw
63	7029899	—	—	—	—	Screw—Fast Idle Adjusting
64	7043634	—	—	—	—	Lever—Cam Follower
65	KIT ONLY	—	—	—	—	Gasket—Throttle Body
66	7011479	—	—	—	—	Spring—Idle Needle
67	7048530	—	—	—	—	Needle—Idle Adjusting
68	7035790	—	—	—	—	Screw—Throttle Body
69	17051494	7036080	17051494	17051494	17051494	Spring—Cam Follower Lever
70	NSS	NSS	7044961	7044960	7046035	Throttle Body Assembly
71	487316	481200	487316	487316	487316	Gasket—Flange

NSS — NOT SERVICED SEPARATELY

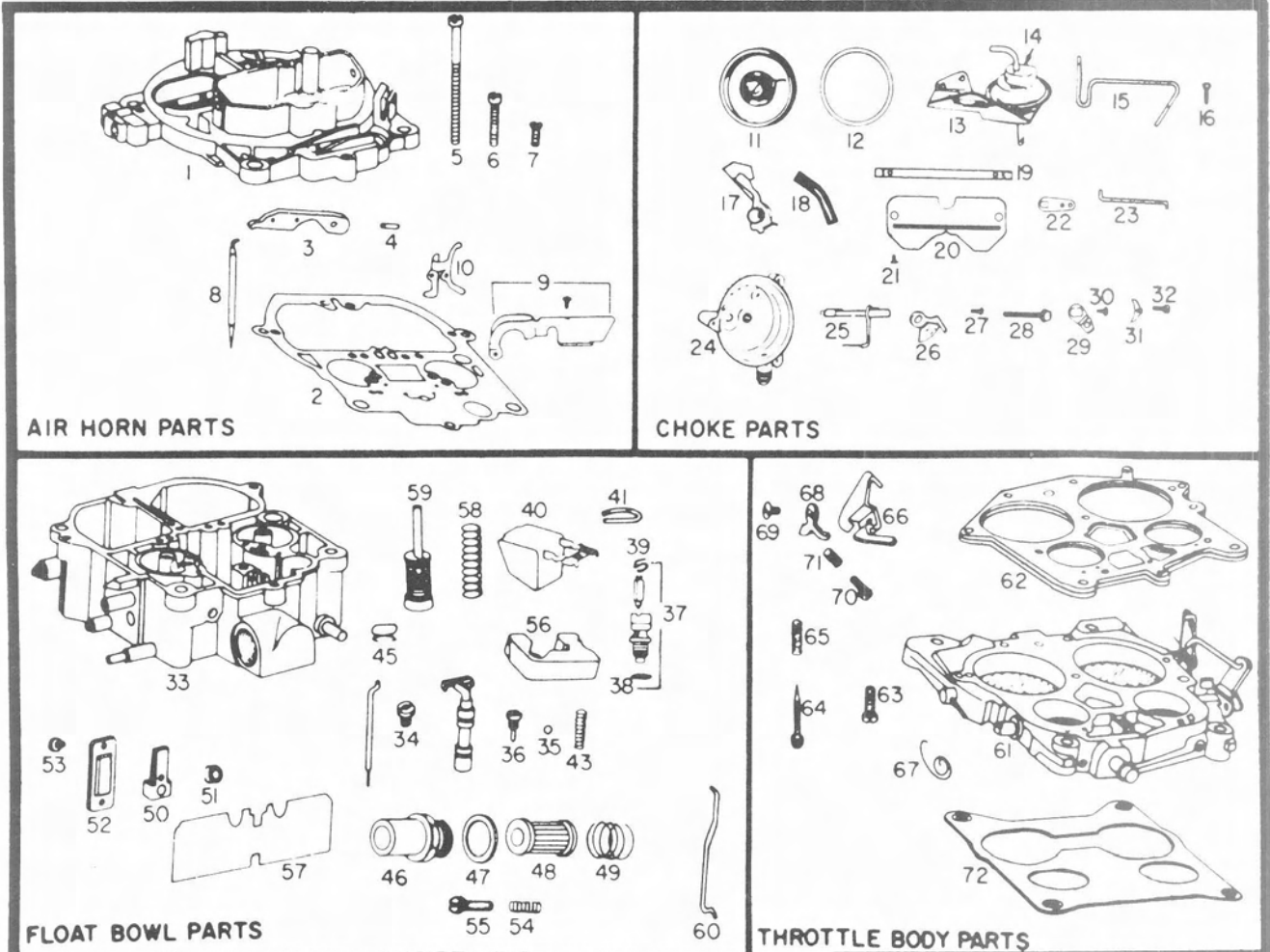


Delco Carburetor

MODEL 4MC QUADRAJET
1973-74 PONTIAC TEMPEST, FIREBIRD, GRAND PRIX, VENTURA
350-400-455 CUBIC INCH ENGINE

A-LeMans, Grand Am; ASP-Grand Prix; B-Catalina, Bonneville; F-Firebird; HSP-Sunbird; X-Phoenix

BULLETIN: 9C-6116
 DATE: SEPTEMBER 1979
 PAGE: 1
 Replaces 9C-6116
 Dated November 1977



PARTS SHOWN ARE FOR IDENTIFICATION ONLY. CONSULT PARTS LIST FOR CORRECT PART NAME AND NUMBER

PARTS IN ALL COLUMNS SAME — EXCEPT WHERE INDICATED

	A, F, ASP 1973 455-CU. IN.	A, F, X, ASP 1974 455-CU. IN.	A, F, X, ASP 1974 350-CU. IN.	A, F, ASP 1973-74 400-455- CU. IN.	APPLICATION
	M/T & A/T	M/T & A/T	M/T & A/T	M/T & A/T	CARBURETOR No.
	17054910	17054911	17054912	17054913	REPLACEMENT PACKAGE No.
	24-6057	24-6058	24-6062	24-6063	OVERHAUL KIT
	7046926	17050534	17050514	NSS	POWER CARBURETOR KIT
	9262				GASKET SET
	40-422				
	AIR HORN PARTS				
Illus. No.					
1	NSS	17050533	17050512	NSS	Air Horn Assembly
2	7029087				Gasket—Air Horn
3	7048169				Lever—Pump Actuating
4	9428787				Roll Pin—Pump & Lockout Lever Hinge
5	7029912				Screw—Air Horn
6	7014699				Screw—Air Horn
7	7031105				Screw—Air Horn
8	7040724	17050221	7047806	7045924	Metering Rod—Secondary
9	7034522				Sec. Metering Rod Holder Kit
10	7037968				Lever—Air Valve Lockout
—	7035344				Air Valve Spring & Cam Kit
—	7029032	7041084	7029032	7029032	Cover—Vent Switch
—	KIT ONLY				Gasket—Cover
—	7038214				Screw—Cover (Short)
—	7010432				Screw—Cover (Long)

	17054910	17054911	17054912	17054913	CARBURETOR No.
			CHOKE PARTS		
11	7046822	7046822	7046822	7036881	Stat Cover, Coil & Gasket Assy.
12	7002760				Gasket—Stat Cover
13	7048193	7048193	7047864	7047864	Vacuum Break Control & Bracket Assy.
14	7041075	7041075	7040370	7040370	Vacuum Break Control Assy.
15	7040496	7041096	7041096	7040496	Rod—Vacuum Break
16	7038581				Screw—Control Attaching
17	7047387				Cam—Fast Idle
18	7026339				Hose—Vacuum
—	—	—	—	—	Tee—Vacuum
19	7038259				Choke Shaft
20	7035195				Valve—Choke
21	7029866				Screw—Choke Valve
22	7031231				Lever—Intermediate Choke
23	7038269				Rod—Choke
24	7046819				Choke Housing Assembly
25	7038282				Inter. Choke Shaft & Lever Assy.
—	7037569				Seal—Inter. Choke Shaft
—	7043367				Seal—Choke Housing to Bowl
26	7038285				Lever—Stat Coil
27	7019709				Screw—Coil Lever
28	7038808				Screw—Choke Housing to Bowl
29	7038301				Lever—Choke
30	7029866				Screw—Choke Lever
31	7000614				Retainer—Stat Cover
32	7011270				Screw—Stat Cover
			FLOAT BOWL PARTS		
33	NSS	17050593	7046817	NSS	Float Bowl Assembly
34	7031975	7031970	7031968	7031971	Jet—Primary
35	7002117				Ball—Pump Discharge
36	7029849				Retainer—Pump Discharge Ball
37	7035148				Needle & Seat Assy.
38	KIT ONLY				Gasket—Needle Seat
39	7033751				Pull Clip—Float Needle
40	7037316				Float Assembly
41	7037317				Hinge Pin—Float Assembly
42	7034637				Power Piston Assembly
43	7029529	7029529	7037851	7037851	Spring—Power Piston
44	7031849	7031838	7031835	7031845	Metering Rod—Primary
45	7029862				Spring—Metering Rod—Primary
46	7045605				Filter Nut—Fuel Inlet
47	7024281				Gasket—Filter Nut
48	GF-427				Filter—Fuel Inlet
49	7034442				Spring Fuel Filter
50	—	—	—	7035288	Idle Compensator Assembly
51	—	—	—	7027970	Gasket—Idle Compensator
52	—	—	—	7029865	Cover—Idle Compensator
53	—	—	—	7029866	Screw—Cover Attaching
54	7003176				Spring—Idle Stop Screw
55	7002121				Screw—Idle Stop
56	7037319				Insert—Float Bowl
57	7031365				Baffle—Float Bowl
58	7004597				Spring—Pump Return
59	7047080				Pump Assembly
60	7026138				Rod—Pump
			THROTTLE BODY PARTS		
61	NSS				Throttle Body Assembly
62	KIT ONLY				Gasket—Throttle Body
63	7035790				Screw—Throttle Body
64	7048532				Idle Needle
65	7011479				Spring—Idle Needle
66	7041497				Lever—Cam Follower
67	7035772				Spring—Cam Lever
68	7035998				Fast Idle Lever
69	7035523				Screw—Fast Idle Lever
70	7044794				Screw—Fast Idle Adjusting
71	7029900				Spring—Fast Idle Screw
72	487316				Gasket—Flange

NSS — NOT SERVICED SEPARATELY

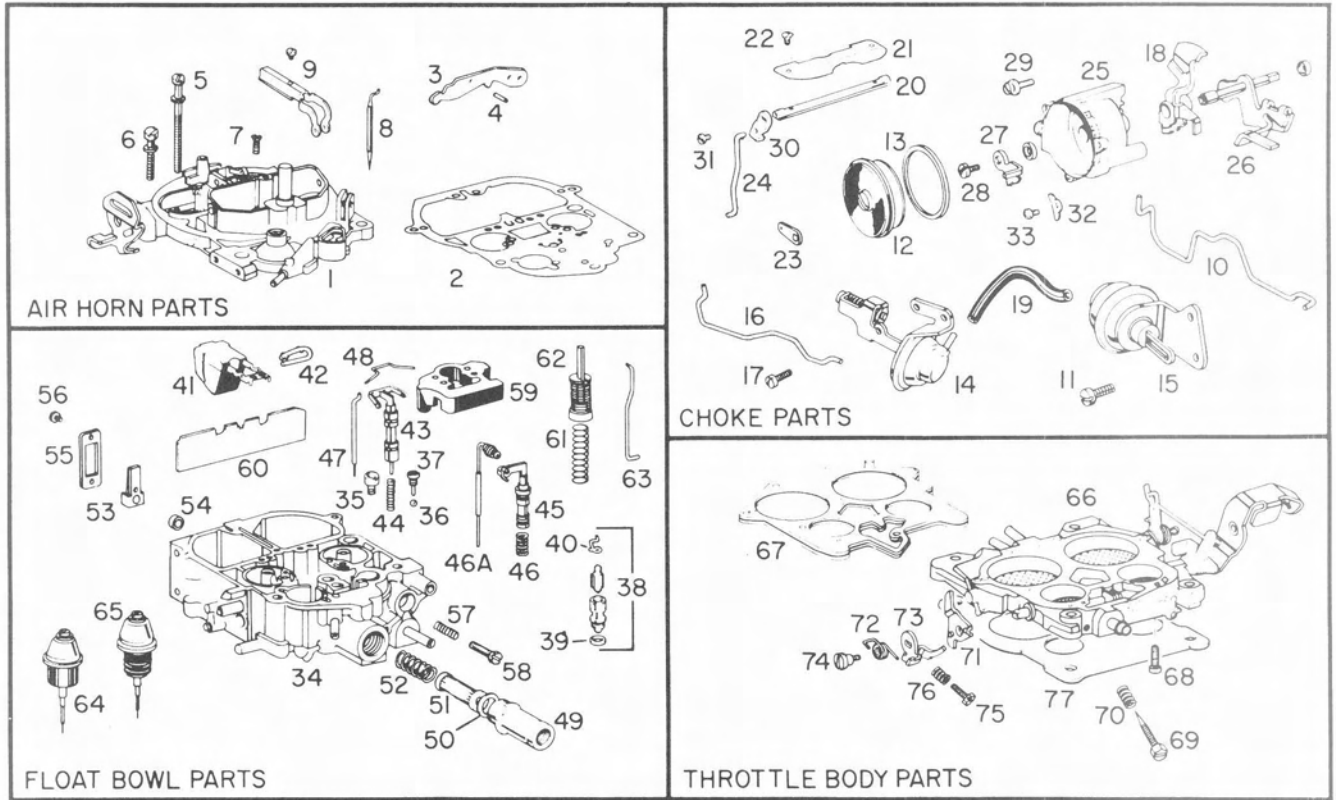


Delco Carburetor

**MODEL M4MC QUADRAJET
1975-76 PONTIAC LEMANS,
GRAND PRIX, FIREBIRD
(SERVICE CARBURETORS)
350-400 CUBIC INCH ENGINE**

**BULLETIN: 9C-6117
DATE: SEPTEMBER 1979
PAGE: 1
Replaces 9C-6117
Dated November 1977**

A-LeMans, Grand Am; ASP-Grand Prix; B-Catalina, Bonneville; F-Firebird; HSP-Sunbird; X-Phoenix



PARTS SHOWN ARE FOR IDENTIFICATION ONLY. CONSULT PARTS LIST FOR CORRECT PART NAME AND NUMBER

PARTS IN ALL COLUMNS SAME — EXCEPT WHERE INDICATED

	1975-76 400-CU. IN. FEDERAL AUTO. TRANS.	1975 350-CU. IN. M/T & A/T	APPLICATION
	17054914	17054915	CARBURETOR No.
	24-6065	24-6066	REPLACEMENT PACKAGE No.
	17055369	17052504	OVERHAUL KIT
	9329	9276	POWER CARBURETOR KIT
	40-446	40-435	GASKET SET
Illus. No.	AIR HORN PARTS		
1	N.S.S.	17053045	Air Horn Assembly
2	17051797	7042998	Gasket—Air Horn
3	7048169		Lever—Pump Actuating
4	9428787		Roll Pin—Pump & Lockout Lever Hinge
5	7029912		Screw—Air Horn
6	7014699		Screw—Air Horn
7	7031105		Screw—Air Horn
8	7047806	7048092	Metering Rod—Secondary
9	7034522		Secondary Metering Rod Holder Kit
—	7035344		Air Valve Spring & Cam Kit
	CHOKE PARTS		
10	7043393		Link—Auxiliary Vacuum Break
11	7043682		Screw—Auxiliary Vacuum Break Mounting

	17054914	17054915	CARBURETOR No.
Illus. No.		CHOKE PARTS	
12	17051959	17051995	Stat Cover, Coil & Gasket Assy.
13	17050961		Gasket—Stat Cover
14	17053740		Vacuum Break Control & Bracket Assy.
15	7043497		Auxiliary Vacuum Break Control & Bracket Assy.
16	7041527		Rod—Vacuum
17	17050732		Screw—Control Attaching
18	7041575		Cam—Fast Idle
19	7026339		Hose—Vacuum
20	7038259		Choke Shaft
21	7041558		Valve—Choke
22	7029866		Screw—Choke Valve
23	7031231		Lever—Intermediate Choke
24	7041472		Rod—Choke
25	17051996		Choke Housing Kit
26	17050754		Intermediate Choke Shaft and Lever Assy.
—	7037569		Seal—Intermediate Choke Shaft
—	7043367		Seal—Choke Housing to Bowl
27	7043368		Lever—Stat Coil
28	7019709		Screw—Coil Lever
29	7038808		Screw—Choke Hsg. to Bowl
30	7041542		Lever—Choke
31	7029866		Screw—Choke Lever
32	7000614		Retainer—Stat Cover
33	7011270		Screw—Stat Cover
		FLOAT BOWL PARTS	
34	N.S.S.		Float Bowl Assembly
35	7031972	7031966	Jet—Primary
36	7002117		Ball—Pump Discharge
37	7029849		Retainer—Pump Discharge Ball
38	7035148		Needle & Seat Assy.
39	KIT ONLY		Gasket—Needle Seat
40	7033751		Pull Clip—Float Needle
41	7043379		Float Assembly
42	7041469		Hinge Pin—Float Assembly
43	17051792	7041460	Power Piston Assembly Primary
44	7029529		Spring—Power Piston Primary
45	—		Auxiliary Power Piston Assy.
46	—		Spring—Auxiliary Power Piston
47	17051344	17051338	Metering Rod—Primary
48	7041459		Spring—Metering Rod—Primary
49	7044951		Filter Nut—Fuel Inlet
50	7024281		Gasket—Filter Nut
51	GF-471	GF-441	Filter—Fuel Inlet
52	7034442		Spring Fuel Filter
53	7035288		Idle Compensator Assembly
54	7027970		Gasket—Idle Compensator
55	7029865		Cover—Idle Compensator
56	7029866		Screw—Cover Attaching
57	7003176		Spring—Idle Stop Screw
58	7002121		Screw—Idle Stop
59	7041471		Insert—Float Bowl
60	7031365		Baffle—Float Bowl
61	7042979		Spring—Pump Return
62	17051374		Pump Assembly
63	7026138		Rod—Pump
64	NONE	17053048	A.P.T. Rod Assembly
	17051796	NONE	Insert—Aneroid Cavity
		THROTTLE BODY PARTS	
66	N.S.S.		Throttle Body Assembly
67	KIT ONLY		Gasket—Throttle Body
68	7035790		Screw—Throttle Body
69	7048532	7048531	Idle Needle
70	7011479		Spring—Idle Needle
71	7041497		Lever—Cam Follower
72	17051494		Spring—Cam Follower
73	7041498		Fast Idle Lever
74	7036079		Screw—Fast Idle Lever Attaching
75	7044794		Screw—Fast Idle Adjusting
76	7029900		Spring—Fast Idle Screw
77	498796		Gasket—Flange

N.S.S. = Not Serviced Separately

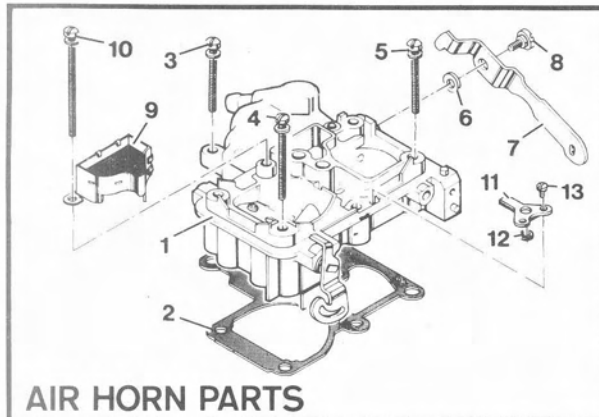


Delco Carburetor

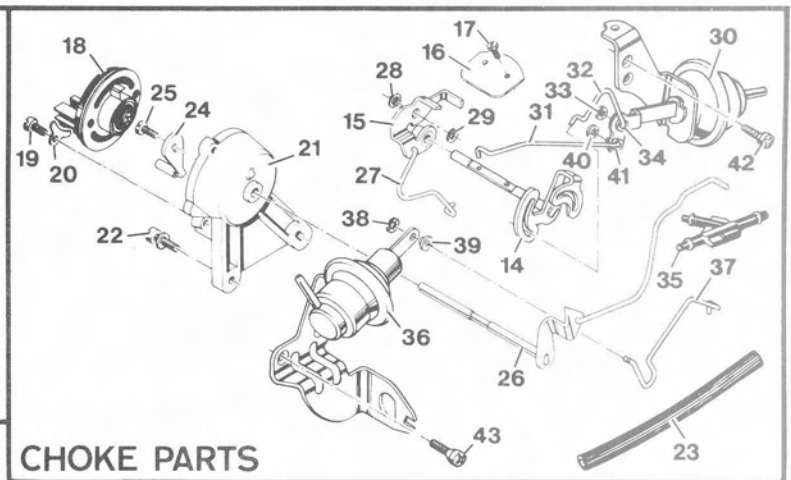
MODEL 2SE — VARAJET II
1979 PONTIAC LEMANS AND SUNBIRD
151 CUBIC INCH ENGINE (LONGITUDINAL)

BULLETIN: 9C-6118
DATE: APRIL 1979
PAGE: 1

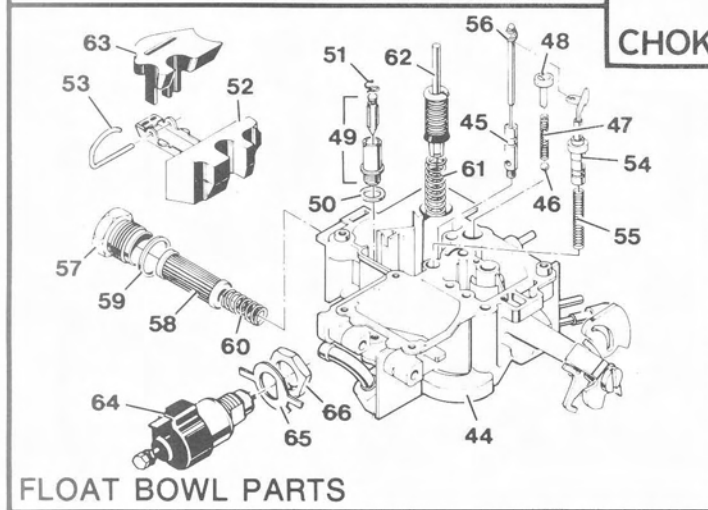
A-LeMans, Grand Am; ASP-Grand Prix; B-Catalina, Bonneville; F-Firebird; HSP-Sunbird; X-Phoenix



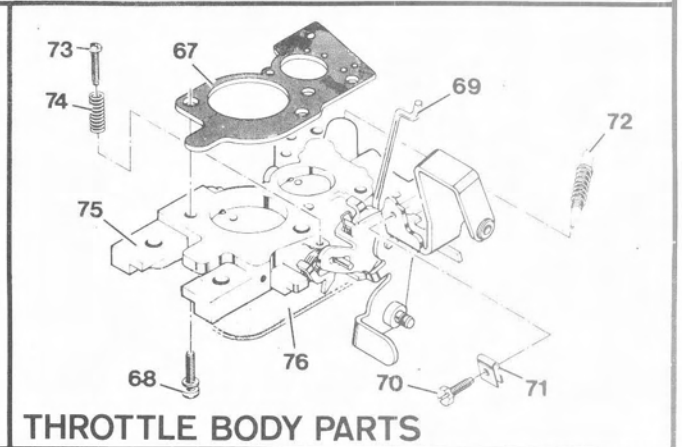
AIR HORN PARTS



CHOKE PARTS



FLOAT BOWL PARTS



THROTTLE BODY PARTS

PARTS SHOWN ARE FOR IDENTIFICATION ONLY. CONSULT PARTS LIST FOR CORRECT PART NAME AND NUMBER

PARTS IN ALL COLUMNS SAME — EXCEPT WHERE INDICATED

	FEDERAL A-SED, HSP NON AIR COND. AUTO. TRANS.	FEDERAL A-SED, HSP NON AIR COND. 4-SP. M/T	FEDERAL A-SED, HSP AIR COND. AUTO. TRANS.	FEDERAL AIR COND. A-SED. 4-SP. M/T HSP 4-5 SP. M/T	APPLICATION
	17059674	17059675	17059676	17059677	CARBURETOR No.
	22-6088	22-6087	22-6090	22-6089	REPLACEMENT PKG. No.
	17065658				OVERHAUL KIT
	9387				POWER CARBURETOR KIT
	40-498				GASKET KIT
Illus. No.	AIR HORNS PARTS				
1	17065963	17065965	17065964	17065966	Air Horn Assembly
2	17061676				Gasket—Air Horn
3	7045442				Screw—Air Horn (Short) (3)
4	7045444				Screw—Air Horn (3)
5	—				Screw—Air Horn (1)
6	17058548				Washer—Pump Lever
7	17057549				Pump Lever
8	7045437				Screw—Pump Lever
9	17057496				Vent Stack Assembly
10	17061983				Screw—Vent Stack Attaching
11	NONE	NONE	17061454	NONE	Idle Compensator Assembly
12	NONE	NONE	7027970	NONE	Gasket—Idle Compensator
13	NONE	NONE	17057179	NONE	Screw—Idle Compensator
—	KIT ONLY				Gasket—Air Cleaner

	17059674	17059675	17059676	17059677	CARBURETOR No.
CHOKE PARTS					
Illus. No.					
14	7045494				Choke Shaft and Lever Assembly
15	17063830				Choke Lever and Bushing Assembly
16	7045276				Choke Valve
17	7045277				Screw—Choke Valve
18	17061093				Electric Stat Cover & Coil Assy.
19	17066027				Stat Cover and Retainer Kit
20	7000614				Retainer—Stat Cover
21	17057279				Choke Housing
22	7045458				Screw—Choke Housing to Thr. Body
23	17051190				Hose—Vacuum
24	17061882				Choke Lever & Contact Assy.
25	7045454				Screw—Choke Lever
26	7045451				Intermediate Choke Shaft & Lever
27	17062279				Link—Fast Idle Cam
28	7045462				Bushing—Link Inter. Choke Shaft & Lever
29	17058193				Retainer—Link Inter. Choke Shaft & Lever
30	17062293				Vacuum Brk. & Brkt.—Primary
31	17062125				Link—Air Valve
32	17062221				Link—Vacuum Brk.—Primary
33	17058193				Retainer—Link Vac. Brk. Primary
34	7045462				Bushing—Link Vac. Brk. Primary
35	—				Tee—Vacuum Hose
36	—				Vacuum Brk. & Brkt.—Secondary
37	—				Link—Vacuum Break—Secondary
38	—				Retainer—Link Vac. Brk. Secondary
39	—				Bushing—Link Vac. Brk. Secondary
40	17058193				Retainer—Link Air Valve
41	7045462				Bushing—Link Air Valve
42	7045470				Screw—Vac. Break Attach. (Top)
43	7045558				Screw—Vac. Break Attach. (Bottom)
FLOAT BOWL PARTS					
44	17065670	17065670	17065701	17065701	Float Bowl Assembly
45	17062805				Jet—Primary Metering
46	7002117				Ball—Pump Discharge
47	7002118				Spring—Pump Discharge
48	7045351				Guide—Pump Discharge
49	35-143				Needle and Seat Assembly
50	KIT ONLY				Gasket—Needle Seat
51	7033751				Clip—Float Valve
52	17056073				Float Assembly
53	7045353				Hinge Pin—Float Assembly
54	7045359				Power Piston Assembly
55	7015439	7015439	7015439	7025907	Spring—Power Piston
56	17065665				Metering Rod and Spring Assy.
57	17061289				Filter Nut—Fuel Inlet
58	GF-470				Filter—Fuel Inlet
59	7024281				Gasket—Filter Nut
60	7032732				Spring—Fuel Filter
61	7042979				Spring—Pump Return
62	17061815				Pump Assembly
63	7045395				Insert—Float Bowl
64	17061814				Solenoid—Idle Stop
65	7045479				Washer—Tab Locking
66	9420169				Nut—Solenoid Retaining
THROTTLE BODY PARTS					
67	KIT ONLY				Gasket—Throttle Body
68	17060653				Screw—Throttle Body
69	17057557				Pump Rod
70	17057491				Screw—Cam
71	17057492				Clip—Cam Screw
72	17062905				Idle Needle & Spring Assembly
73	17057276				Screw—Throttle Stop
74	7011479				Spring—Throttle Stop Screw
75	17062092				Throttle Body Assembly
76	10010208				Gasket—Flange

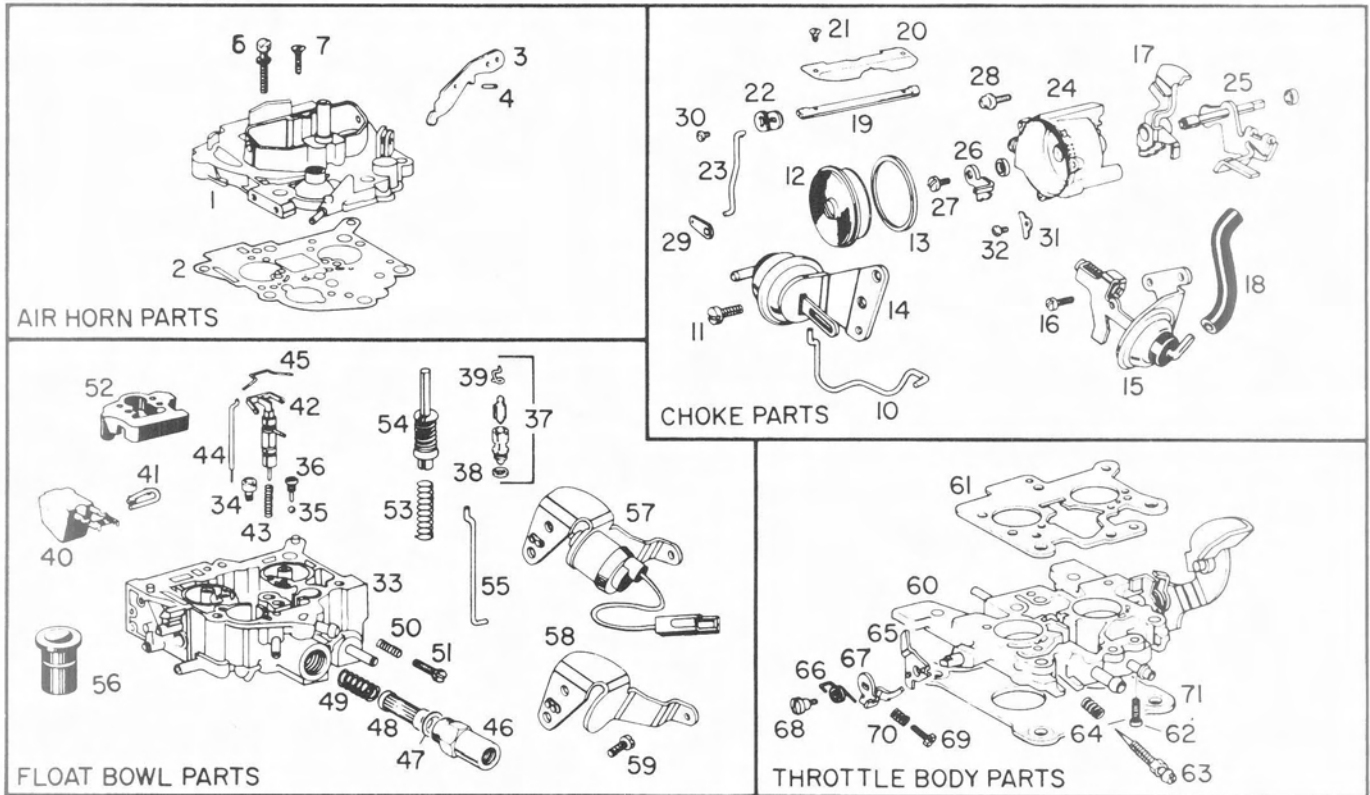


Delco Carburetor

BULLETIN: 9C-6119
 DATE: APRIL 1979
 PAGE: 1

MODEL M2ME DUALJET-210
1979 PONTIAC LEMANS
200 CUBIC INCH ENGINE

A-LeMans, Grand Am; ASP-Grand Prix; B-Catalina, Bonneville; F-Firebird; HSP-Sunbird; X-Phoenix



PARTS SHOWN ARE FOR IDENTIFICATION ONLY. CONSULT PARTS LIST FOR CORRECT PART NAME AND NUMBER

PARTS IN ALL COLUMNS SAME.— EXCEPT WHERE INDICATED

	CANADA ONLY A-SEDAN Z-94-OPTION NON A/C AUTO. TRANS.	CANADA ONLY A-SEDAN Z-94-OPTION AIR COND. AUTO. TRANS.	APPLICATION
	17059170	17059171	CARBURETOR No.
	22-3217	22-3218	REPLACEMENT PACKAGE No.
	17065446		OVERHAUL KIT
	9374		POWER CARBURETOR KIT
	40-489		GASKET SET
Illus. No.	AIR HORN PARTS		
1	17065441		Air Horn Assembly
2	7045097		Gasket—Air Horn
3	7048169		Lever—Pump Actuating
4	9428787		Roll Pin—Pump & Lockout Lever Hinge
5	—		Screw—Air Horn
6	7014699		Screw—Air Horn
7	7031105		Screw—Air Horn
8	—		Metering Rod—Secondary
9	—		Sec. Metering Rod Holder Kit
—	—		Air Valve Spring & Cam Kit
	CHOKE PARTS		
10	—		Link—Aux. Vacuum Break
11	—		Screw—Aux. Vacuum Break Mounting

Illus. No.	17059170	17059171	CARBURETOR No.
		CHOKE PARTS (Continued)	
12	—		Stat Cover, Coil & Gasket Assy.
12	17061395		Electric Stat Cover & Coil Assy.
13	—		Gasket—Stat Cover
14	17056010		Vacuum Break Control & Bracket Assy.
15	—		Aux. Vacuum Break Control & Bracket Assy.
16	17050732		Screw—Control Attaching
17	17061541		Cam—Fast Idle
18	7026339		Hose—Vacuum
19	7038259		Choke Shaft
20	7048904		Choke Valve
21	7029866		Screw—Choke Valve
22	7031231		Lever—Intermediate Choke
23	7041472		Rod—Choke
24	17055913		Choke Housing Kit
25	17050754		Intermediate Choke Shaft & Lever Assy.
—	7037569		Seal—Intermediate Choke Shaft
—	—		Seal—Choke Housing to Bowl
26	17056490		Lever—Stat Coil
27	7019709		Screw—Coil Lever
28	7038608		Screw—Choke Housing to Bowl
29	7041542		Lever—Choke
30	7029866		Screw—Choke Lever
31	7000614		Retainer—Stat Cover
32	7011270		Screw—Stat Cover
		FLOAT BOWL PARTS	
33	17065732		Float Bowl Assembly
34	7031974		Jet—Primary
35	7002117		Ball—Pump Discharge
36	7029849		Retainer—Pump Discharge Ball
37	30-151		Needle & Seat Assy.
38	KIT ONLY		Gasket—Needle Seat
39	7033751		Pull Clip—Float Needle
40	7043379		Float Assembly
41	7041469		Hinge Pin—Float Assembly
42	17060824		Power Piston Assembly Main
43	17052057		Spring—Power Piston Primary
44	17051345		Metering Rod—Main
45	7041459		Spring—Metering Rod—Primary
46	17059861		Filter Nut—Fuel Inlet
47	7024281		Gasket—Filter Nut
48	GF-471		Filter—Fuel Inlet
49	7032732		Spring Filter—Fuel Inlet
50	7003176		Spring—Idle Stop Screw
51	7002121		Screw—Idle Stop
52	7041471		Insert—Float Bowl
—	—		Baffle—Float Bowl
53	7042979		Spring—Pump Return
54	7048874		Pump Assembly
55	17056437		Rod—Pump
56	17051796		Insert—Aneroid & Cavity
—	NONE	7044300	Solenoid—Idle Stop
—	NONE	17061769	Bracket & Washer Assy.
—	NONE	7042653	Washer—Tab Locking
—	NONE	7042654	Nut—Solenoid Retaining
—	NONE	7043682	Screw—Bracket Attaching
		THROTTLE BODY PARTS	
60	17062032	17062246	Throttle Body Assembly
61	KIT ONLY		Gasket—Throttle Body
62	7035790		Screw—Throttle Body
63	17062909		Idle Needle & Spring Assembly
64	—		Spring—Idle Needle
65	7041497		Lever—Cam Follower
66	17051494		Spring—Cam Lever
67	7041498		Fast Idle Lever
68	7036079		Screw—Fast Idle Lever Attaching
69	7044794		Screw—Fast Idle Adjusting
70	7029900		Spring—Fast Idle Screw
71	14005210		Gasket—Flange

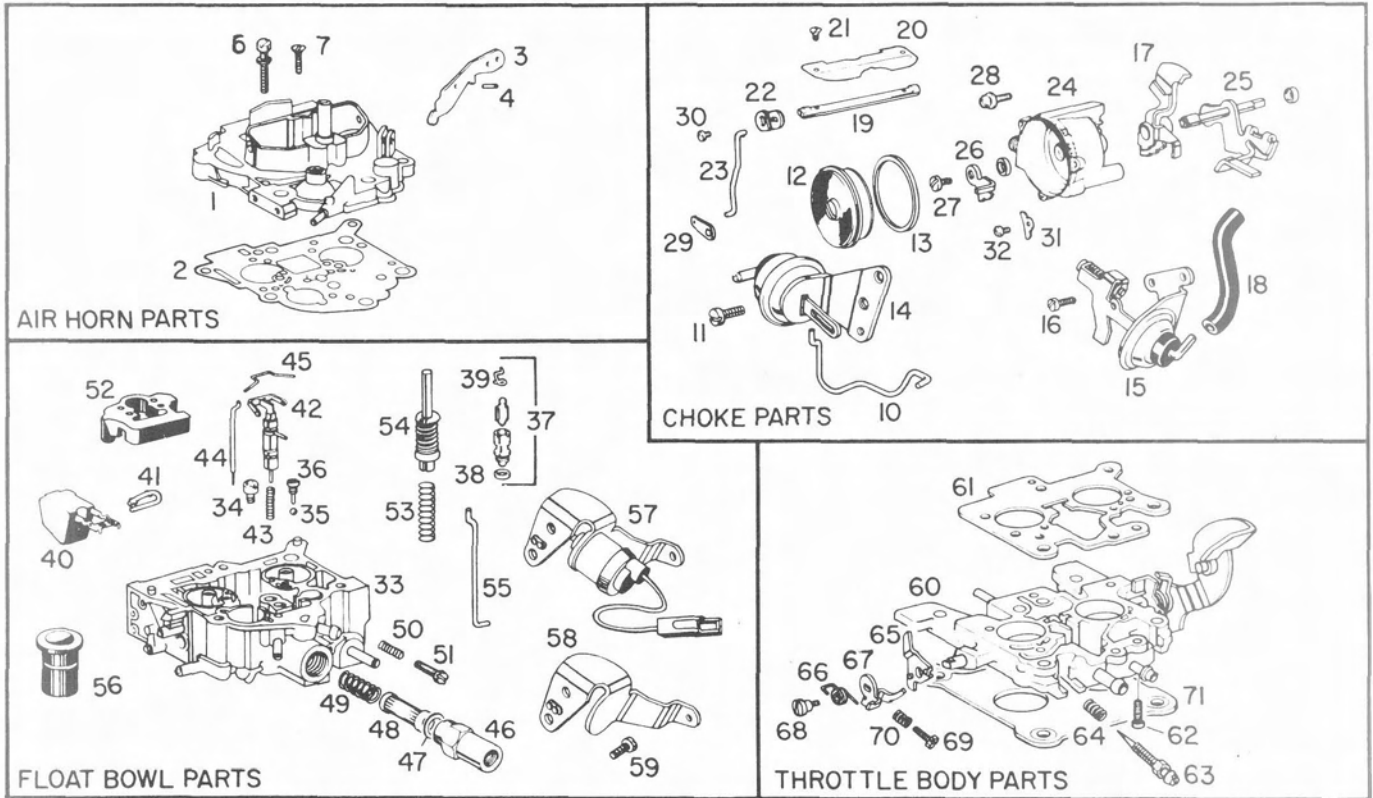


Delco Carburetor

BULLETIN: 9C-6120
DATE: APRIL 1979
PAGE: 1

MODEL M2ME DUALJET-210
1979 PONTIAC CATALINA, BONNEVILLE, LEMANS, GRAND PRIX,
PHOENIX, SUNBIRD & FIREBIRD
231 CUBIC INCH ENGINE (CANADA ONLY Z-94)

A-LeMans, Grand Am; ASP-Grand Prix; B-Catalina, Bonneville; F-Firebird; HSP-Sunbird; X-Phoenix



PARTS SHOWN ARE FOR IDENTIFICATION ONLY. CONSULT PARTS LIST FOR CORRECT PART NAME AND NUMBER

PARTS IN ALL COLUMNS SAME — EXCEPT WHERE INDICATED

	CANADA AND FEDERAL B-SED A, ASP HSP, X, F AUTO. TRANS.	APPLICATION
	17059180	CARBURETOR No.
	22-1243	REPLACEMENT PACKAGE No.
	17065365	OVERHAUL KIT
	9366	POWER CARBURETOR KIT
	40-484	GASKET SET
Illus. No.	AIR HORN PARTS	
1	17065361	Air Horn Assembly
2	7045097	Gasket—Air Horn
3	7048169	Lever—Pump Actuating
4	9428787	Roll Pin—Pump & Lockout Lever Hinge
5	—	Screw—Air Horn
6	7014699	Screw—Air Horn
7	7031105	Screw—Air Horn
8	—	Metering Rod—Secondary
9	—	Sec. Metering Rod Holder Kit
—	—	Air Valve Spring & Cam Kit
	CHOKE PARTS	
10	7045092	Link—Aux. Vac. Brk.
11	7043682	Screw—Aux. Vac. Brk. Mounting

	17059180	CARBURETOR No.
Illus. No.	CHOKE PARTS (Continued)	
12		Stat Cover, Coil & Gasket Assy.
12	17062235	Electric Stat Cover & Coil Assy.
13		Gasket—Stat Cover
14	17060808	Vac. Break Control & Brkt. Assy.
15	17062251	Aux. Vacuum Break Control & Brkt. Assy.
16	17050732	Screw—Control Attaching
17	17062377	Cam—Fast Idle
18	7026339	Hose—Vacuum
19	7038259	Choke Shaft
20	7048904	Choke Valve
21	7029866	Screw—Choke Valve
22	7031231	Lever—Intermediate Choke
23	7041472	Rod—Choke
24	17055605	Choke Housing Kit
25	17050754	Inter. Choke Shaft & Lever Assy.
—	7037569	Seal—Inter. Choke Shaft
—	—	Seal—Choke Hsg. to Bowl
26	7043368	Lever—Stat Coil
27	7019709	Screw—Coil Lever
28	7038808	Screw—Choke Hsg. to Bowl
29	7041542	Lever—Choke
30	7029866	Screw—Choke Lever
31	7000614	Retainer—Stat Cover
32	7011270	Screw—Stat Cover
FLOAT BOWL PARTS		
33	17065362	Float Bowl Assembly
34	7031976	Jet—Main Metering
35	7002117	Ball—Pump Discharge
36	7029849	Retainer—Pump Discharge Ball
37	30-157	Needle & Seat Assy.
38	KIT ONLY	Gasket—Needle Seat
39	7033751	Pull Clip—Float Needle
40	7044332	Float Assembly
41	7041469	Hinge Pin—Float Assembly
42	17062132	Power Piston Assembly Primary
43	—	Spring—Power Piston Primary
44	17056358	Metering Rod—Primary
45	7041459	Spring—Metering Rod—Primary
46	17051572	Filter Nut—Fuel Inlet
47	7024281	Gasket—Filter Nut
48	GF-470	Filter—Fuel Inlet
49	7032732	Spring—Fuel Filter
50	7003176	Spring—Idle Stop Screw
51	7002121	Screw—Idle Stop
52	7041471	Insert—Float Bowl
—	17061822	Solenoid & Bracket Assembly
53	7042979	Spring—Pump Return
54	17051374	Pump Assembly
55	17056437	Rod—Pump
56	17051796	Insert—Aneroid Cavity
58	7043682	Screw—Bracket Attaching
59	—	Bracket—Throttle Return
THROTTLE BODY PARTS		
60	17062016	Throttle Body Assembly
61	KIT ONLY	Gasket—Throttle Body
62	7035790	Screw—Throttle Body
63	17062905	Idle Needle & Spring Assembly
64	—	Spring—Idle Needle
65	7041497	Lever—Cam Follower
66	17051494	Spring—Cam Lever
67	7041498	Fast Idle Lever
68	7036079	Screw—Fast Idle Lever Attaching
69	7044794	Screw—Fast Idle Adjusting
70	7029900	Spring—Fast Idle Screw
71	1259038	Gasket—Flange



Delco Carburetor

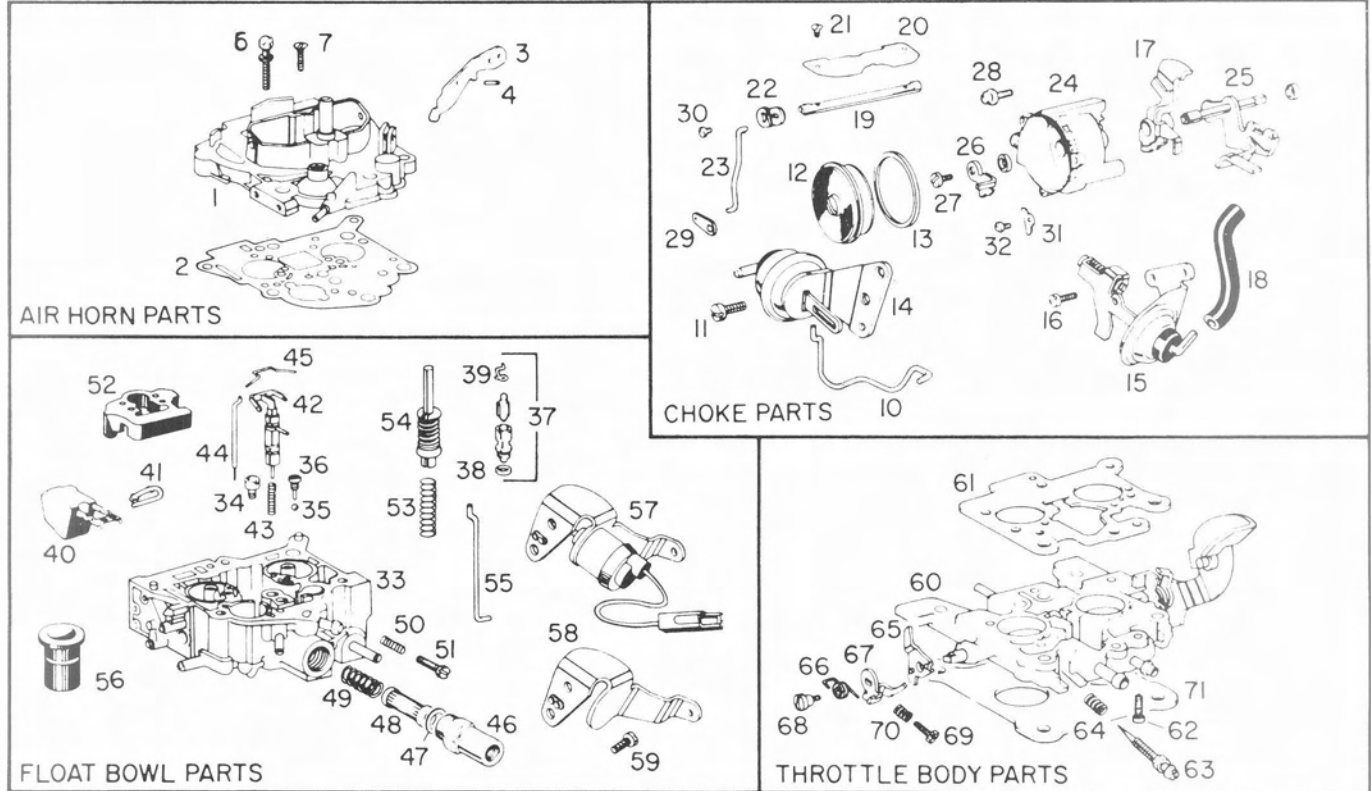
BULLETIN: 9C-6121
DATE: APRIL 1979
PAGE: 1

MODEL M2ME DUALJET 210

1979 PONTIAC CATALINA, GRAND PRIX, LEMANS, PHOENIX,
SUNBIRD, AND FIREBIRD

231-CUBIC INCH ENGINE (CANADA ONLY Z-94)

A-LeMans, Grand Am; ASP-Grand Prix; B-Catalina, Bonneville; F-Firebird; HSP-Sunbird; X-Phoenix



PARTS SHOWN ARE FOR IDENTIFICATION ONLY. CONSULT PARTS LIST FOR CORRECT PART NAME AND NUMBER

PARTS IN ALL COLUMNS SAME — EXCEPT WHERE INDICATED

	FEDERAL AUTO TRANS. B-SEDAN, A, ASP, HSP, X, F	FEDERAL MANUAL TRANS. A-SED, HSP-4SP. A-SED, ASP, X, F 3-SPEED HSP-5-SPEED A/C NON A/C	APPLICATION
	NON A/C		
	17059190	17059191	CARBURETOR No.
	22-1243	22-1244	REPLACEMENT PACKAGE No.
	17065365		OVERHAUL KIT
	9366		POWER CARBURETOR KIT
	40-484		GASKET SET
Illus. No.	AIR HORN PARTS		
1	17065361		Air Horn Assembly
2	7045097		Gasket—Air Horn
3	7048169		Lever—Pump Actuating
4	9428787		Roll Pin—Pump & Lockout Lever Hinge
5	—		Screw—Air Horn
6	7014699		Screw—Air Horn
7	7031105		Screw—Air Horn
8	—		Metering Rod—Secondary
9	—		Sec. Metering Rod Holder Kit
—	—		Air Valve Spring & Cam Kit
	CHOKE PARTS		
10	7045092		Link—Aux. Vac. Brk.
11	7043682		Screw—Aux. Vac. Brk. Mounting

Illus. No.	17059190	17059191	CARBURETOR No.
12	17062235	—	Stat Cover, Coil & Gasket Assy.
13	NONE	—	Gasket—Stat Cover
14	17060808	—	Vac. Break Control & Brkt. Assy.
15	17060825	7045179	Aux. Vacuum Break Control & Brkt. Assy.
16	17050732	—	Screw—Control Attaching
17	17062377	17056766	Cam—Fast Idle
18	7026339	—	Hose—Vacuum
19	7038259	—	Choke Shaft
20	7048904	—	Choke Valve
21	7029866	—	Screw—Choke Valve
22	7031231	—	Lever—Intermediate Choke
23	7041472	—	Rod—Choke
24	17055605	—	Choke Housing Kit
25	17050754	—	Inter. Choke Shaft & Lever Assy.
—	7037569	—	Seal—Inter. Choke Shaft
—	—	7043367	Seal—Choke Hsg. to Bowl
26	7043368	—	Lever—Stat Coil
27	7019709	—	Screw—Coil Lever
28	7038808	—	Screw—Choke Hsg. to Bowl
29	7041542	—	Lever—Choke
30	7029866	—	Screw—Choke Lever
31	7000614	—	Retainer—Stat Cover
32	7011270	—	Screw—Stat Cover
33	17065362	17065623	Float Bowl Assembly
34	7031976	—	Jet—Main Metering
35	7002117	—	Ball—Pump Discharge
36	7029849	—	Retainer—Pump Discharge Ball
37	30-157	—	Needle & Seat Assy.
38	KIT ONLY	—	Gasket—Needle Seat
39	7033751	—	Pull Clip—Float Needle
40	7044332	—	Float Assembly
41	7041469	—	Hinge Pin—Float Assembly
42	17062132	—	Power Piston Assembly Primary
43	17056358	—	Spring—Power Piston Primary
44	7041459	—	Metering Rod—Primary
45	7041459	—	Spring—Metering Rod—Primary
46	17051572	—	Filter Nut—Fuel Inlet
47	7024281	—	Gasket—Filter Nut
48	GF-470	—	Filter—Fuel Inlet
49	7032732	—	Spring—Fuel Filter
50	7003176	—	Spring—Idle Stop Screw
51	7002121	—	Screw—Idle Stop
52	7041471	—	Insert—Float Bowl
—	—	17061822	Solenoid Bracket Assembly
53	7042979	—	Spring—Pump Return
54	17051374	—	Pump Assembly
55	17056437	—	Rod—Pump
56	17051796	—	Insert—Aneroid Cavity
58	7043682	NONE	Screw—Bracket Attaching
59	7043617	NONE	Bracket—Throttle Return
60	17062016	—	Throttle Body Assembly
61	KIT ONLY	—	Gasket—Throttle Body
62	7035790	—	Screw—Throttle Body
63	17062905	—	Idle Needle & Spring Assembly
64	—	—	Spring—Idle Needle
65	7041497	—	Lever—Cam Follower
66	17051494	—	Spring—Cam Lever
67	7041498	—	Fast Idle Lever
68	7036079	—	Screw—Fast Idle Lever Attaching
69	7044794	—	Screw—Fast Idle Adjusting
70	7029900	—	Spring—Fast Idle Screw
71	1259038	—	Gasket—Flange

CHOKE PARTS (Continued)

THROTTLE BODY PARTS



Delco Carburetor

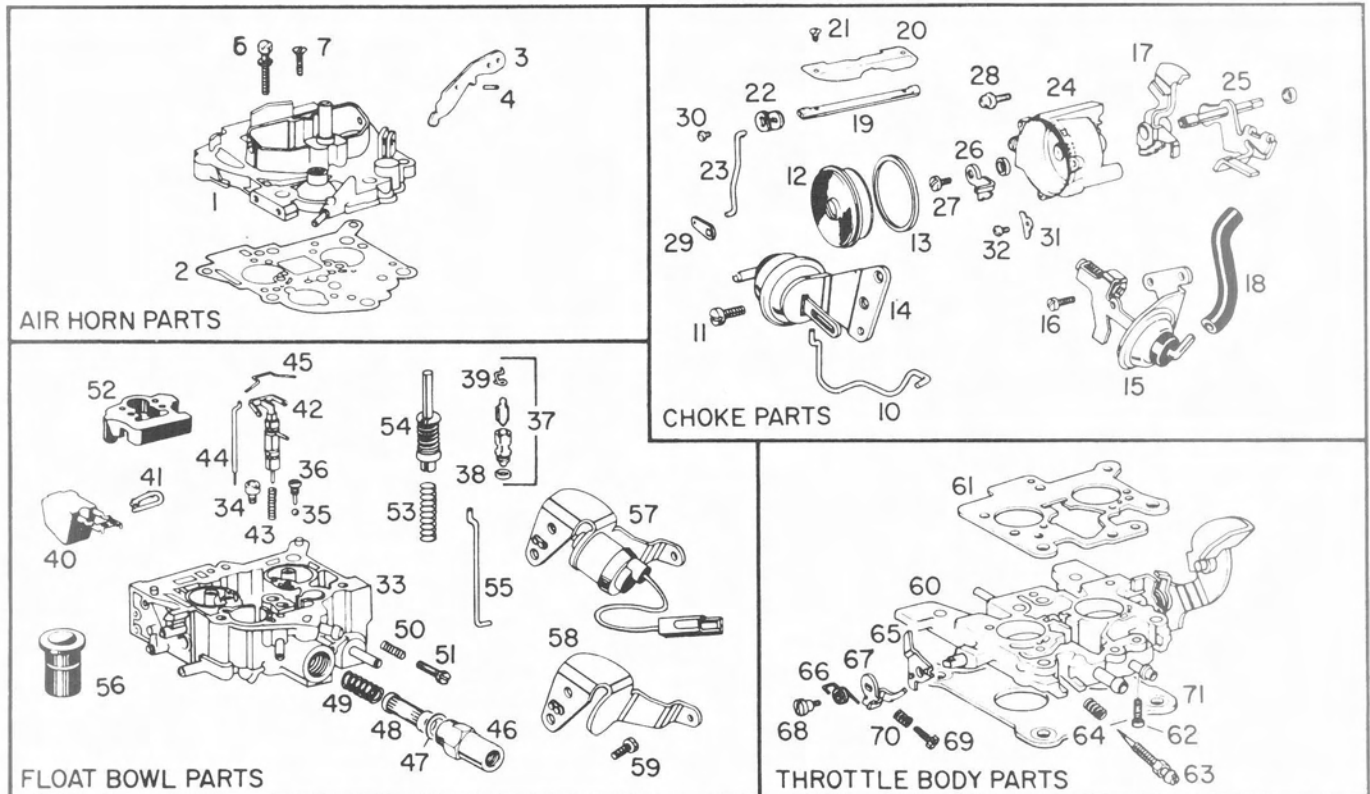
BULLETIN: 9C-6122
 DATE: APRIL 1979
 PAGE: 1

MODEL M2ME DUALJET 210

1979 PONTIAC SUNBIRD

231 CUBIC INCH ENGINE

A-LeMans, Grand Am; ASP-Grand Prix; B-Catalina, Bonneville; F-Firebird; HSP-Sunbird; X-Phoenix



PARTS SHOWN ARE FOR IDENTIFICATION ONLY. CONSULT PARTS LIST FOR CORRECT PART NAME AND NUMBER

PARTS IN ALL COLUMNS SAME — EXCEPT WHERE INDICATED

ALTITUDE		APPLICATION
HSP		CARBURETOR No.
A/C NON A/C		REPLACEMENT PACKAGE No.
AUTO. TRANS.		OVERHAUL KIT
17059196		POWER CARBURETOR KIT
22-1250		GASKET SET
17065235		
9366		
40-484		
Illus. No.	AIR HORN PARTS	
1	17065715	Air Horn Assembly
2	7045097	Gasket—Air Horn
3	7048169	Lever—Pump Actuating
4	9428787	Roll Pin—Pump & Lockout Lever Hinge
5	—	Screw—Air Horn
6	7014699	Screw—Air Horn
7	7031105	Screw—Air Horn
8	—	Metering Rod—Secondary
9	—	Sec. Metering Rod Holder Kit
—	—	Air Valve Spring & Cam Kit
	CHOKE PARTS	
10	7045092	Link—Aux. Vacuum Break
11	7043682	Screw—Aux. Vacuum Break

	17059196	CARBURETOR No.
Illus. No.	CHOKE PARTS (Continued)	
12		Stat Cover, Coil & Gasket Assy.
12	17062235	Electric Stat Cover & Coil Assy.
13		Gasket—Stat Cover
14	17060808	Vacuum Break Control & Bracket Assy.
15	17062251	Aux. Vacuum Break Control & Bracket Assy.
16	17050732	Screw—Control Attaching
17	17062377	Cam—Fast Idle
18	7026339	Hose—Vacuum
19	7038259	Choke Shaft
20	7048904	Choke Valve
21	7029866	Screw—Choke Valve
22	7031231	Lever—Intermediate Choke
23	7041472	Rod—Choke
24	17055605	Choke Housing Kit
25	17050754	Inter. Choke Shaft & Lever Assy.
—	7037569	Seal—Inter. Choke Shaft
—	—	Seal—Choke Housing to Bowl
26	7043368	Lever—Stat Coil
27	7019709	Screw—Coil Lever
28	7038808	Screw—Choke Housing to Bowl
29	7041542	Lever—Choke
30	7029866	Screw—Choke Lever
31	7000614	Retainer—Stat Cover
32	7011270	Screw—Stat Cover
	FLOAT BOWL PARTS	
33	17065789	Float Bowl Assembly
34	7031975	Jet—Main Metering
35	7002117	Ball—Pump Discharge
36	7029849	Retainer—Pump Discharge Ball
37	30-157	Needle & Seat Assy.
38	KIT ONLY	Gasket—Needle Seat
39	7033751	Pull Clip—Float Needle
40	7044332	Float Assembly
41	7041469	Hinge Pin—Float Assembly
42	17062132	Power Piston Assembly Primary
43		Spring—Power Piston Primary
44	17057755	Metering Rod—Primary
45	7041459	Spring—Metering Rod—Primary
46	17051572	Filter Nut—Fuel Inlet
47	7024281	Gasket—Filter Nut
48	GF-470	Filter—Fuel Inlet
49	7032732	Spring—Fuel Filter
50	7003176	Spring—Idle Stop Screw
51	7002121	Screw—Idle Stop
52	7041471	Insert—Float Bowl
—	—	Baffle—Float Bowl
53	7042979	Spring—Pump Return
54	17051374	Pump Assembly
55	17056437	Rod—Pump
56	17051796	Insert—Aneroid Cavity
58	7043682	Screw—Bracket Attaching
59	7043617	Bracket—Throttle Return
	THROTTLE BODY PARTS	
60	17062016	Throttle Body Assembly
61	KIT ONLY	Gasket—Throttle Body
62	7035790	Screw—Throttle Body
63	17062905	Idle Needle & Spring Assembly
64	—	Spring—Idle Needle
65	7041497	Lever—Cam Follower
66	17051494	Spring—Cam Lever
67	7041498	Fast Idle Lever
68	7036079	Screw—Fast Idle Lever Attaching
69	7044794	Screw—Fast Idle Adjusting
70	7029900	Spring—Fast Idle Screw
71	1259038	Gasket—Flange



Delco Carburetor

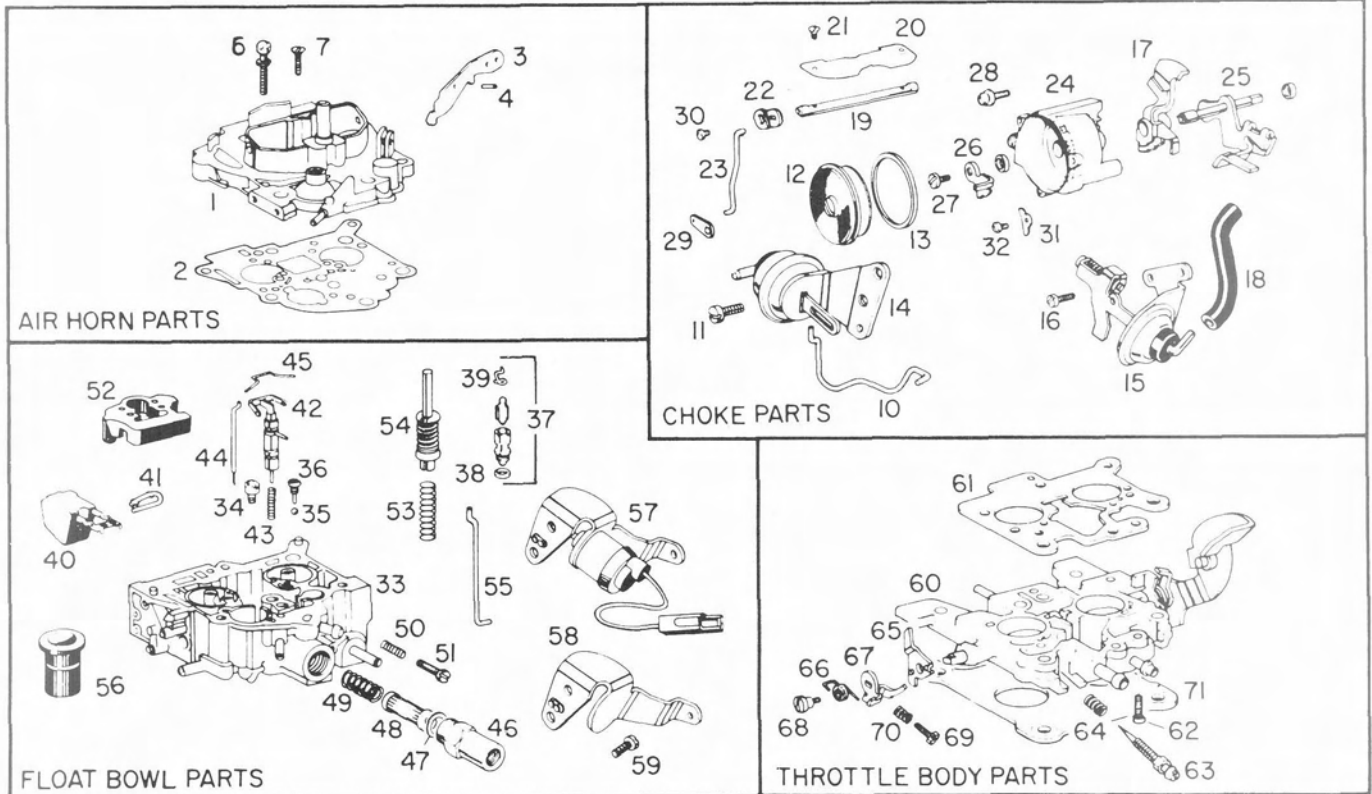
MODEL M2ME DUALJET 210

1979 PONTIAC CATALINA, PHOENIX, FIREBIRD, SUNBIRD

231-CUBIC INCH ENGINE

BULLETIN: 9C-6123
DATE: APRIL 1979
PAGE: 1

A-LeMans, Grand Am; ASP-Grand Prix; B-Catalina, Bonneville; F-Firebird; HSP-Sunbird; X-Phoenix



PARTS SHOWN ARE FOR IDENTIFICATION ONLY. CONSULT PARTS LIST FOR CORRECT PART NAME AND NUMBER

PARTS IN ALL COLUMNS SAME — EXCEPT WHERE INDICATED

	CALIF. HSP 4-5-SPEED A/C NON A/C MAN. TRANS.	CALIF. B-SEDAN X, F A/C NON A/C AUTO. TRANS.	APPLICATION
	17059491	17059492	CARBURETOR No.
	22-1249	22-1248	REPLACEMENT PACKAGE No.
	17065718	17065929	OVERHAUL KIT
	9366		POWER CARBURETOR KIT
	40-484		GASKET SET
Illus. No.	AIR HORN PARTS		
1	17065715		Air Horn Assembly
2	7045097		Gasket—Air Horn
3	7048169		Lever—Pump Actuating
4	9428787		Roll Pin—Pump & Lockout Lever Hinge
5	—		Screw—Air Horn
6	7014699		Screw—Air Horn
7	7031105		Screw—Air Horn
8	—		Metering Rod—Secondary
9	—		Sec. Metering Rod Holder Kit
—	—		Air Valve Spring & Cam Kit
	CHOKE PARTS		
10	7045092		Link—Aux. Vac. Brk.
11	7043682		Screw—Aux. Vac. Brk. Mounting

	17059491	17059492	CARBURETOR No.
Illus. No.	CHOKE PARTS (Continued)		
12			Stat Cover, Coil & Gasket Assy.
12	17062235		Electric Stat Cover & Coil Assy.
13	NONE		Gasket—Stat Cover
14	17060808	7044343	Vac. Break Control & Brkt. Assy.
15	17060825	17062251	Aux. Vacuum Break Control & Brkt. Assy.
16	17050732		Screw—Control Attaching
17	17062377		Cam—Fast Idle
18	7026339		Hose—Vacuum
19	7038259		Choke Shaft
20	7048904		Choke Valve
21	7029866		Screw—Choke Valve
22	7031231		Lever—Intermediate Choke
23	7041472		Rod—Choke
24	17055605		Choke Housing Kit
25	17050754		Inter. Choke Shaft & Lever Assy.
—	7037569		Seal—Inter. Choke Shaft
—	—		Seal—Choke Hsg. to Bowl
26	7043368		Lever—Stat Coil
27	7019709		Screw—Coil Lever
28	7038808		Screw—Choke Hsg. to Bowl
29	7041542		Lever—Choke
30	7029866		Screw—Choke Lever
31	7000614		Retainer—Stat Cover
32	7011270		Screw—Stat Cover
	FLOAT BOWL PARTS		
33	17065933	17065922	Float Bowl Assembly
34	7031977	7031976	Jet—Main Metering
35	7002117		Ball—Pump Discharge
36	7029849		Retainer—Pump Discharge Ball
37	30-157		Needle & Seat Assy.
38	KIT ONLY		Gasket—Needle Seat
39	7033751		Pull Clip—Float Needle
40	7044332		Float Assembly
41	7041469		Hinge Pin—Float Assembly
42	17062889	17062132	Power Piston Assembly Primary
43			Spring—Power Piston Primary
44	17057757	17057755	Metering Rod—Primary
45	7041459		Spring—Metering Rod—Primary
46	17051572		Filter Nut—Fuel Inlet
47	7024281		Gasket—Filter Nut
48	GF-470		Filter—Fuel Inlet
49	7032732		Spring—Fuel Filter
50	7003176		Spring—Idle Stop Screw
51	7002121		Screw—Idle Stop
52	7041471		Insert—Float Bowl
—	17061822		Solenoid and Bracket Assembly
53	7042979		Spring—Pump Return
54	17051374		Pump Assembly
55	17056437		Rod—Pump
56	17051796		Insert—Aneroid Cavity
58	7043682		Screw—Bracket Attaching
59		7043617	Bracket—Throttle Return
	THROTTLE BODY PARTS		
60	17062845	17062016	Throttle Body Assembly
61	KIT ONLY		Gasket—Throttle Body
62-	7035790		Screw—Throttle Body
63	17062905		Idle Needle & Spring Assembly
64	—		Spring—Idle Needle
65	7041497		Lever—Cam Follower
66	17051494		Spring—Cam Lever
67	7041498		Fast Idle Lever
68	7036079		Screw—Fast Idle Lever Attaching
69	7044794		Screw—Fast Idle Adjusting
70	7029900		Spring—Fast Idle Screw
71	1259038		Gasket—Flange



Delco Carburetor

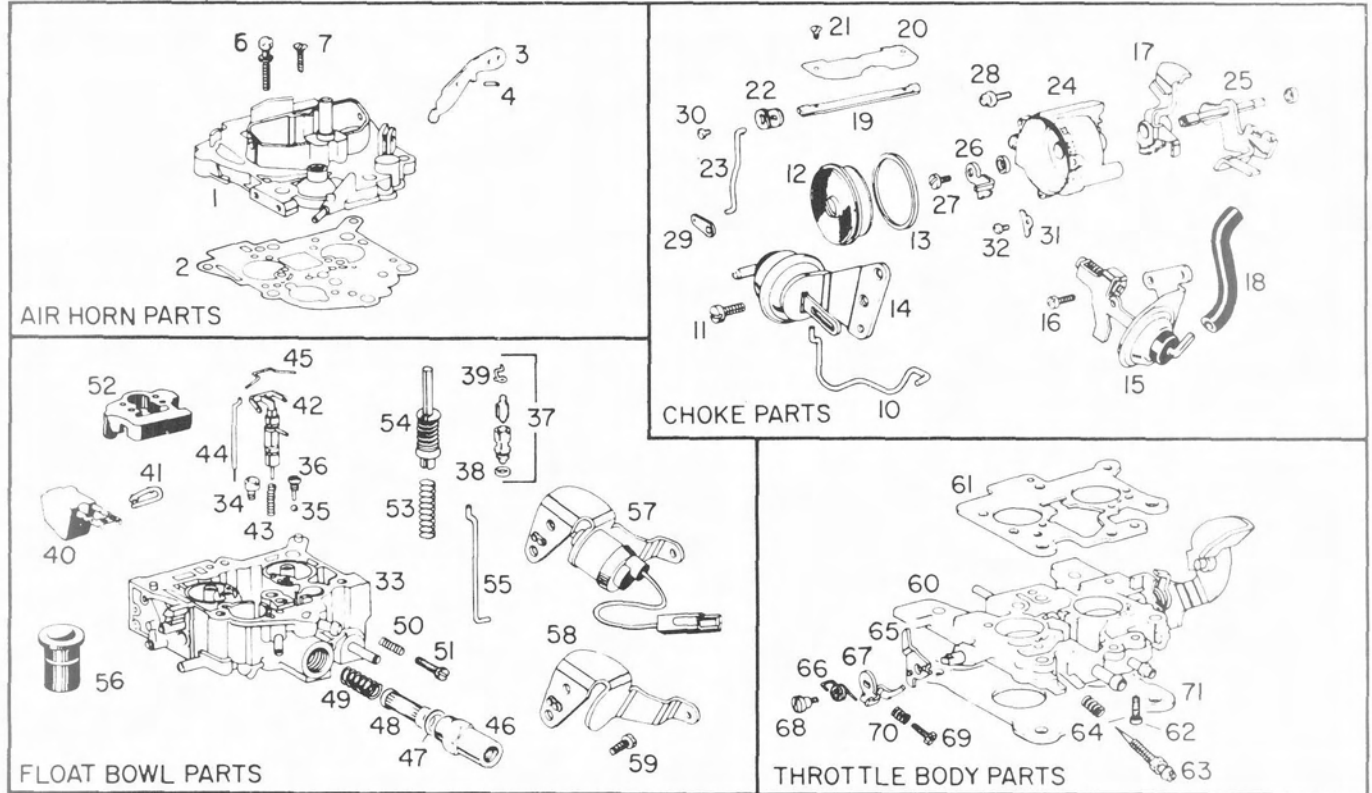
BULLETIN: 9C-6124
DATE: APRIL 1979
PAGE: 1

MODEL M2ME DUALJET 210

1979 PONTIAC SUNBIRD

231 CUBIC INCH ENGINE

A-LeMans, Grand Am; ASP-Grand Prix; B-Catalina, Bonneville; F-Firebird; HSP-Sunbird; X-Phoenix



PARTS SHOWN ARE FOR IDENTIFICATION ONLY. CONSULT PARTS LIST FOR CORRECT PART NAME AND NUMBER

PARTS IN ALL COLUMNS SAME — EXCEPT WHERE INDICATED

	CALIF. HSP A/C NON A/C AUTO. TRANS.	APPLICATION
	17059498	CARBURETOR No.
	22-1247	REPLACEMENT PACKAGE No.
	17065927	OVERHAUL KIT
	9366	POWER CARBURETOR KIT
	40-484	GASKET SET
Illus. No.	AIR HORN PARTS	
1	17065715	Air Horn Assembly
2	7045097	Gasket—Air Horn
3	7048169	Lever—Pump Actuating
4	9428787	Roll Pin—Pump & Lockout Lever Hinge
5	—	Screw—Air Horn
6	7014699	Screw—Air Horn
7	7031105	Screw—Air Horn
8	—	Metering Rod—Secondary
9	—	Sec. Metering Rod Holder Kit
—	—	Air Valve Spring & Cam Kit
	CHOKE PARTS	
10	7045092	Link—Aux. Vac. Brk.
11	7043682	Screw—Aux. Vac. Brk. Mounting

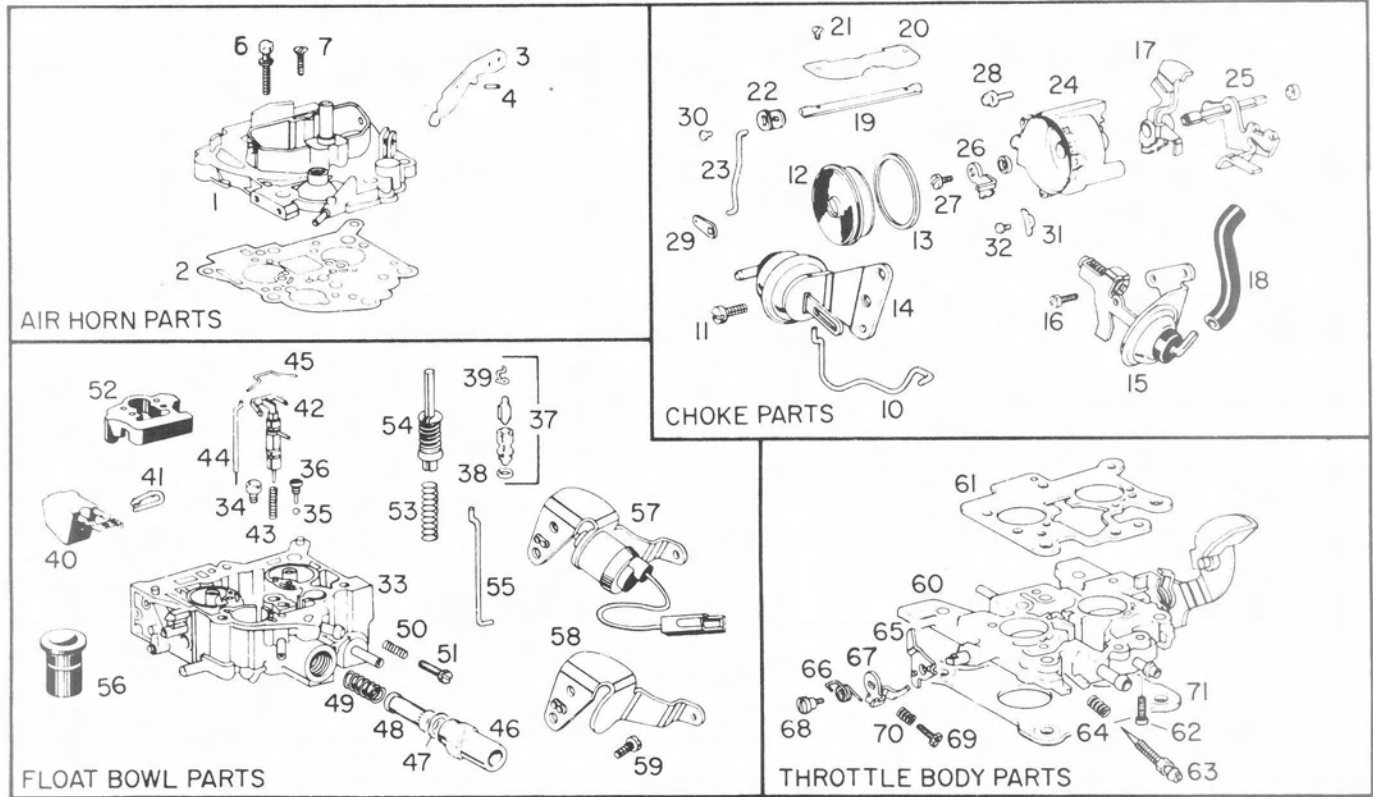


Delco Carburetor

BULLETIN: 9C-8125
 DATE: APRIL 1979
 PAGE: 1

MODEL M2MC DUALJET-210 1979 PONTIAC CATALINA, LEMANS, GRAND PRIX, AND FIREBIRD 301 CUBIC INCH ENGINE

A-LeMans, Grand Am; ASP-Grand Prix; B-Catalina, Bonneville; F-Firebird; HSP-Sunbird; X-Phoenix



PARTS SHOWN ARE FOR IDENTIFICATION ONLY. CONSULT PARTS LIST FOR CORRECT PART NAME AND NUMBER

PARTS IN ALL COLUMNS SAME — EXCEPT WHERE INDICATED

	FEDERAL	
	A, B, HSP, F A/C NON A/C AUTO. TRANS.	APPLICATION
	17059160	CARBURETOR No.
	22-6085	REPLACEMENT PACKAGE No.
	17065616	OVERHAUL KIT
	9381	POWER CARBURETOR KIT
	40-494	GASKET SET
Illus. No.		AIR HORN PARTS
1	17055636	Air Horn Assembly
2	7045097	Gasket—Air Horn
3	7048169	Lever—Pump Actuating
4	9428787	Roll Pin—Pump & Lockout Lever Hinge
5	—	Screw—Air Horn
6	7014699	Screw—Air Horn
7	7031105	Screw—Air Horn
8	—	Metering Rod—Secondary
9	—	Sec. Metering Rod Holder Kit
—	—	Air Valve Spring & Cam Kit
		CHOKE PARTS
10	7045092	Link—Aux. Vac. Break
11	7043682	Screw—Aux. Vac. Break Mounting

	17059160	CARBURETOR No.
		CHOKE PARTS (Continued)
Illus. No.		
12	17055175	Stat Cover, Coil & Gasket Assy.
12	—	Electric Stat Cover & Coil Assy.
13	17050961	Gasket—Stat Cover
14	17062360	Vacuum Break Control & Bracket Assy.
15	7045179	Aux. Vacuum Break Control & Bracket Assy.
16	17050732	Screw—Control Attaching
17	17056631	Cam—Fast Idle
18	7026339	Hose—Vacuum
19	7038259	Choke Shaft
20	7048904	Choke Valve
21	7029866	Screw—Choke Valve
22	7031231	Lever—Intermediate Choke
23	17062254	Rod—Choke
24	17065614	Choke Housing Kit
25	17050754	Intermediate Choke Shaft & Lever Assy.
—	7037569	Seal—Intermediate Choke Shaft
—	7043367	Seal—Choke Housing to Bowl
26	7043368	Lever—Stat Coil
27	7019709	Screw—Coil Lever
28	7038808	Screw—Choke Housing to Bowl
29	7041542	Lever—Choke
30	7029866	Screw—Choke Lever
31	7000614	Retainer—Stat Cover
32	7011270	Screw—Stat Cover
		FLOAT BOWL PARTS
33	17065714	Float Bowl Assembly
34	7031974	Jet—Primary
35	7002117	Ball—Pump Discharge
36	7029849	Retainer—Pump Discharge Ball
37	30-151	Needle & Seat Assy.
38	KIT ONLY	Gasket—Needle Seat
39	7033751	Pull Clip—Float Needle
40	7044332	Float Assembly
41	7041469	Hinge Pin—Float Assembly
42	7044419	Power Piston Assembly Primary
43	17051705	Spring—Power Piston Primary
44	17057755	Metering Rod—Primary
45	7041459	Spring—Metering Rod—Primary
46	17059861	Filter Nut—Fuel Inlet
47	7024281	Gasket—Filter Nut
48	GF-471	Filter—Fuel Inlet
49	7032732	Spring Fuel Filter
50	7003176	Spring—Idle Stop Screw
51	7002121	Screw—Idle Stop
52	7041471	Insert—Float Bowl
—	—	Baffle—Float Bowl
53	7042979	Spring—Pump Return
54	7048874	Pump Assembly
55	17056437	Rod Pump
56	17051796	Insert—Aneroid & Cavity
		THROTTLE BODY PARTS
60	17062386	Throttle Body Assembly
61	KIT ONLY	Gasket—Throttle Body
62	7035790	Screw—Throttle Body
63	17062905	Idle Needle & Spring Assembly
64	—	Spring—Idle Needle
65	7041497	Lever—Cam Follower
66	17051494	Spring—Cam Lever
67	7041498	Fast Idle Lever
68	7036079	Screw—Fast Idle Lever Attaching
69	7044794	Screw—Fast Idle Adjusting
70	7029900	Spring—Fast Idle Screw
71	10000937	Gasket—Flange

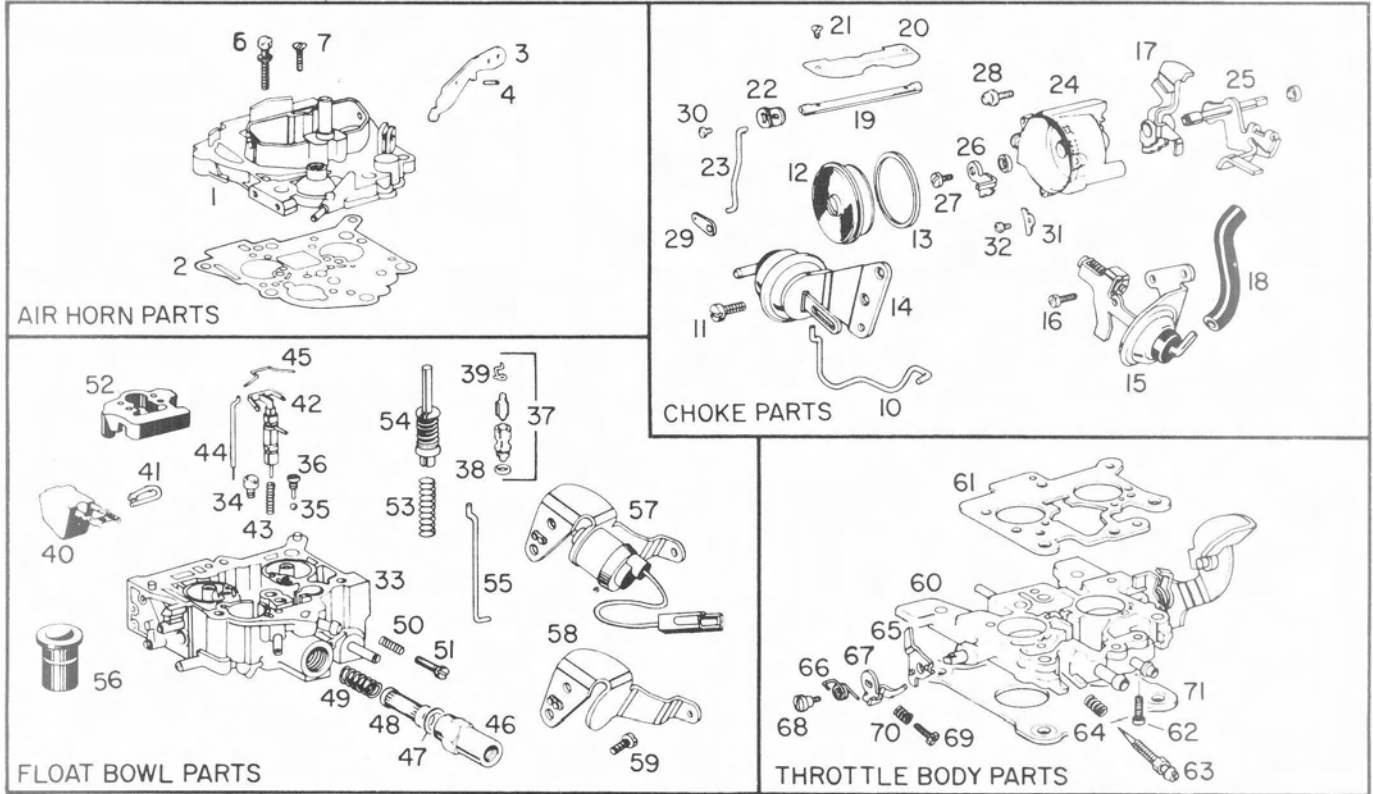


Delco Carburetor

MODEL M2MC DUALJET-210
1979 PONTIAC FIREBIRD, SUNBIRD AND PHOENIX
305 CUBIC INCH ENGINE
(CANADA ONLY Z-94 OPTION)

BULLETIN: 9C-6126
DATE: APRIL 1979
PAGE: 1

A-LeMans, Grand Am; ASP-Grand Prix; B-Catalina, Bonneville; F-Firebird; HSP-Sunbird; X-Phoenix



PARTS SHOWN ARE FOR IDENTIFICATION ONLY. CONSULT PARTS LIST FOR CORRECT PART NAME AND NUMBER

PARTS IN ALL COLUMNS SAME — EXCEPT WHERE INDICATED

	FEDERAL F, HSP, X NON A/C AUTO. TRANS.	FEDERAL HSP, X NON A/C 3-SP. M/T	FEDERAL F, HSP, X AIR COND. AUTO. TRANS.	FEDERAL HSP AND X AIR COND. 3-SP. M/T	APPLICATION
	17059134	17059135	17059136	17059137	CARBURETOR No.
	22-3199	22-3200	22-3201	22-3202	REPLACEMENT PACKAGE No.
	17065404				OVERHAUL KIT
	9369				POWER CARBURETOR KIT
	40-486				GASKET SET
Illus. No.	AIR HORN PARTS				
1	17065394				Air Horn Assembly
2	7045097				Gasket—Air Horn
3	7048169				Lever—Pump Actuating
4	9428787				Roll Pin—Pump & Lockout Lever Hinge
5	—				Screw—Air Horn
6	7014699				Screw—Air Horn
7	7031105				Screw—Air Horn
8	—				Metering Rod—Secondary
9	—				Sec. Metering Rod Holder Kit
—					Air Valve Spring & Cam Kit
	CHOKE PARTS				
10	—				Link—Aux. Vac. Break
11	—				Screw—Aux. Vac. Break Mounting

	17059134	17059135	17059136	17059137	CARBURETOR No.
Illus. No.	CHOKE PARTS (Continued)				
12	17051918				Stat Cover Coil & Gasket Assy.
12					Electric Stat Cover & Coil Assy.
13	17050961				Gasket—Stat Cover
14	17056010				Vacuum Break Control & Brkt. Assy.
15	—				Aux. Vac. Break Control & Brkt. Assy.
16	17050732				Screw—Control Attaching
17	17061541				Cam—Fast Idle
18	7026339				Hose—Vacuum
19	7038259				Choke Shaft
20	7048904				Choke Valve
21	7029866				Screw—Choke Valve
22	7031231				Lever—Intermediate Choke
23	7041472				Rod—Choke
24	17065162				Choke Housing Kit
25	17050754				Inter. Choke Shaft & Lever Assy.
—	7037569				Seal—Inter. Choke Shaft
—	7043367				Seal—Choke Hsg. to Bowl
26	7041499				Lever—Stat Coil
27	7019709				Screw—Coil Lever
28	7038808				Screw—Choke Hsg. to Bowl
29	7041542				Lever—Choke
30	7029866				Screw—Choke Lever
31	7000614				Retainer—Stat Cover
32	7011270				Screw—Stat Cover
	FLOAT BOWL PARTS				
33	17065402				Float Bowl Assembly
34	7031974				Jet—Primary
35	7002117				Ball—Pump Discharge
36	7029849				Retainer—Pump Discharge Ball
37	30-134				Needle & Seat Assy.
38	KIT ONLY				Gasket—Needle Seat
39	7033751				Pull Clip—Float Needle
40	7043379				Float Assembly
41	7041469				Hinge Pin—Float Assembly
42	17060824				Power Piston Assembly—Main
43	7036019				Spring—Power Piston Primary
44	17057750	17057750	17051345	17051345	Metering Rod—Main
45	7041459				Spring—Metering Rod—Primary
46	17059861				Filter Nut—Fuel Inlet
47	7024281				Gasket—Filter Nut
48	GF-471				Filter—Fuel Inlet
49	7032732				Spring Fuel Filter
50	7003176				Spring—Idle Stop Screw
51	7002121				Screw—Idle Stop
52	7041471				Insert—Float Bowl
—	—				Baffle—Float Bowl
53	7042979				Spring—Pump Return
54	7048874				Pump Assembly
55	17056437				Rod Pump
56	17051796				Insert—Aneroid & Cavity
—	17061769	—	NONE	NONE	Solenoid and Bracket Assembly
—	—	—	17056020	17056020	Bracket & Washer Assy.
—	—	—	7042653	7042653	Washer—Tab Locking
—	—	—	7042654	7042654	Nut—Solenoid Retaining
—	—	—	7043682	7043682	Screw—Bracket Attaching
	THROTTLE BODY PARTS				
60	17062188	17062189	17062190	17062191	Throttle Body Assembly
61	KIT ONLY				Gasket—Throttle Body
62	7035790				Screw—Throttle Body
63	17062909				Idle Needle & Spring Assembly
64	—				Spring—Idle Needle
65	7041497				Lever—Cam Follower
66	17051494				*Spring—Cam Lever
67	7041498				Fast Idle Lever
68	7036079				Screw—Fast Idle Lever Attaching
69	7044794				Screw—Fast Idle Adjusting
70	7029900				Spring—Fast Idle Screw
71	14005210				Gasket—Flange

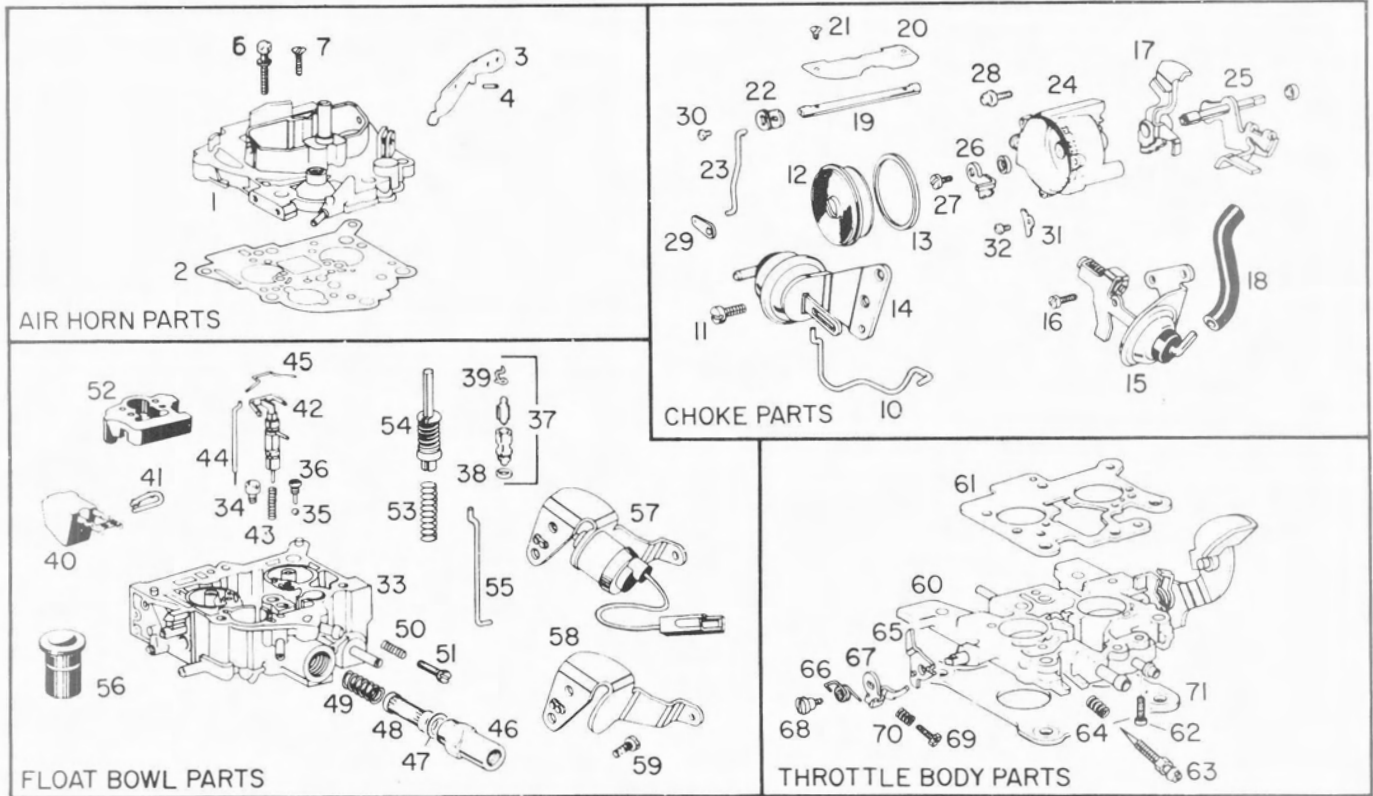


Delco Carburetor

BULLETIN: 9C-8127
 DATE: APRIL 1979
 PAGE: 1

MODEL M2MC DUALJET-210
1979 PONTIAC SUNBIRD
305 CUBIC INCH ENGINE

A-LeMans, Grand Am; ASP-Grand Prix; B-Catalina, Bonneville; F-Firebird; HSP-Sunbird; X-Phoenix



PARTS SHOWN ARE FOR IDENTIFICATION ONLY. CONSULT PARTS LIST FOR CORRECT PART NAME AND NUMBER

PARTS IN ALL COLUMNS SAME — EXCEPT WHERE INDICATED

Illus. No.	CALIF. HSP NON A/C AUTO. TRANS.	CALIF. HSP A/C AUTO. TRANS.	APPLICATION
	17059430	17059432	CARBURETOR No.
	22-3236	22-3237	REPLACEMENT PACKAGE No.
	17065722		OVERHAUL KIT
	9369		POWER CARBURETOR KIT
40-486		GASKET SET	
	AIR HORN PARTS		
1	17065394		Air Horn Assembly
2	7045097		Gasket—Air Horn
3	7048169		Lever—Pump Actuating
4	9428787		Roll Pin—Pump & Lockout Lever Hinge
5	—		Screw—Air Horn
6	7014699		Screw—Air Horn
7	7031105		Screw—Air Horn
8	—		Metering Rod—Secondary
9	—		Sec. Metering Rod Holder Kit
—	—		Air Valve Spring & Cam Kit
	CHOKE PARTS		
10	—		Link—Aux. Vac. Break
11	—		Screw—Aux. Vac. Break Mounting

	17059430	17059432	CARBURETOR No.
			CHOKE PARTS (Continued)
12	17051918		Stat Cover Coil & Gasket Assy.
12			Electric Stat Cover & Coil Assy.
13	17050961		Gasket—Stat Cover
14	17056010		Vacuum Break Control & Brkt. Assy.
15	—		Aux. Vac. Break Control & Brkt. Assy.
16	17050732		Screw—Control Attaching
17	17061541		Cam—Fast Idle
18	7026339		Hose—Vacuum
19	7038259		Choke Shaft
20	7048904		Choke Valve
21	7029866		Screw—Choke Valve
22	7031231		Lever—Intermediate Choke
23	7041472		Rod—Choke
24	17065162		Choke Housing Kit
25	17050754		Inter. Choke Shaft & Lever Assy.
—	7037569		Seal—Inter. Choke Shaft
—	7043367		Seal—Choke Hsg. to Bowl
26	7041499		Lever—Stat Coil
27	7019709		Screw—Coil Lever
28	7038808		Screw—Choke Hsg. to Bowl
29	7041542		Lever—Choke
30	7029866		Screw—Choke Lever
31	7000614		Retainer—Stat Cover
32	7011270		Screw—Stat Cover
			FLOAT BOWL PARTS
33	17065787		Float Bowl Assembly
34	7031974		Jet—Primary
35	7002117		Ball—Pump Discharge
36	7029849		Retainer—Pump Discharge Ball
37	30-134		Needle & Seat Assy.
38	KIT ONLY		Gasket—Needle Seat
39	7033751		Pull Clip—Float Needle
40	7043379		Float Assembly
41	7041469		Hinge Pin—Float Assembly
42	17060824		Power Piston Assembly—Main
43	7036019		Spring—Power Piston Primary
44	17051343		Metering Rod—Main
45	7041459		Spring—Metering Rod—Primary
46	17059861		Filter Nut—Fuel Inlet
47	7024281		Gasket—Filter Nut
48	GF-471		Filter—Fuel Inlet
49	7032732		Spring—Fuel Filter
50	7003176		Spring—Idle Stop Screw
51	7002121		Screw—Idle Stop
52	7041471		Insert—Float Bowl
—	—		Baffle—Float Bowl
53	7042979		Spring—Pump Return
54	7048874		Pump Assembly
55	17056437		Rod—Pump
56	17051796		Insert—Aneroid & Cavity
—	—	—	Solenoid—Idle Stop
—	NONE	17061769	Solenoid and Bracket Assembly
—	NONE	7043682	Screw—Bracket Attaching
			THROTTLE BODY PARTS
60	17062198	17062199	Throttle Body Assembly
61	KIT ONLY		Gasket—Throttle Body
62	7035790		Screw—Throttle Body
63	17062909		Idle Needle & Spring Assembly
64	—		Spring—Idle Needle
65	7041497		Lever—Cam Follower
66	17051494		Spring—Cam Lever
67	7041498		Fast Idle Lever
68	7036079		Screw—Fast Idle Lever Attaching
69	7044794		Screw—Fast Idle Adjusting
70	7029900		Spring—Fast Idle Screw
71	14005210		Gasket—Flange



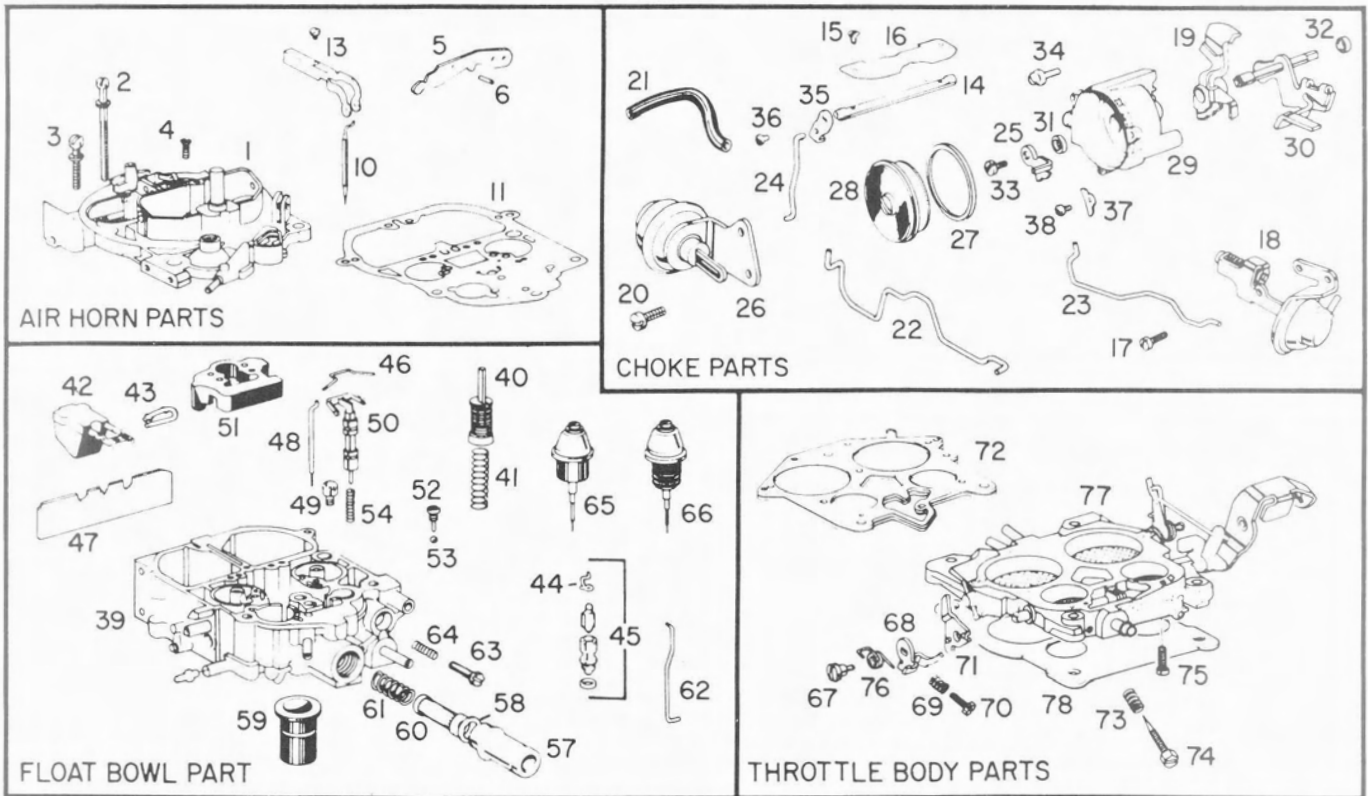
Delco Carburetor

MODEL M4MC QUADRAJET

1979 PONTIAC CATALINA, LEMANS, GRAND PRIX AND FIREBIRD
301 CUBIC INCH ENGINE

BULLETIN: 9C-6128
DATE: APRIL 1979
PAGE: 1

A-LeMans, Grand Am; ASP-Grand Prix; B-Catalina, Bonneville; F-Firebird; HSP-Sunbird; X-Phoenix



PARTS SHOWN ARE FOR IDENTIFICATION ONLY. CONSULT PARTS LIST FOR CORRECT PART NAME AND NUMBER

PARTS IN ALL COLUMNS SAME — EXCEPT WHERE INDICATED

	FEDERAL A-SED ASP, F A/C NON A/C 4-SPEED MAN. TRANS.	FEDERAL A, B, ASP, F A/C NON A/C AUTO. TRANS.	APPLICATION
	17059271	17059272	CARBURETOR No.
	24-6083	24-6084	REPLACEMENT PACKAGE No.
	17065644	17065622	OVERHAUL KIT
	9383		POWER CARBURETOR KIT
	40-496		GASKET SET
Illus. No.	AIR HORN PARTS		
1	17055644		Air Horn Assembly
2	7029912		Screw—Air Horn
3	7014699		Screw—Air Horn
4	7031105		Screw—Air Horn
5	7048169		Lever—Pump Actuating
6	9428787		Roll Pin—Pump and Lockout Levers
7	—		Screw—Idle Vent Valve
8	—		Valve—Idle Vent
9	—		Idle Vent Valve Kit
10	7045779		Metering Rod—Secondary
11	17056357		Gasket—Air Horn
12	—		Lockout Lever—Air Valve
13	7034522		Secondary Metering Rod Holder Kit
—	7035344		Air Valve Spring and Cam Kit

Illustr. No.	17059271	17059272	CARBURETOR No.
14	7038259		CHOKE PARTS
15	7029866		Screw—Choke Shaft
16	7048904		Choke Valve
17	17050732		Screw—Vacuum Break Control
18	17060832		Vacuum Break Control and Bracket Assembly
19	17056631	17054139	Cam—Fast Idle
20	7043682		Screw—Aux. Vacuum Break Mounting
21	7026339		Hose—Vacuum
22	7041527		Rod—Vacuum Break
23	7043393		Link—Aux. Vacuum Break
24	17062254		Rod—Choke
25	7041499	7043368	Lever—Choke Coil
26	17053083		Vacuum Break Control & Bracket Assy. Aux.
27	17050961		Gasket—Stat Cover
28	17055175		Stat Cover—Coil & Gasket Assy.
29	17065614		Choke Housing Kit
30	17050754		Intermediate Choke Shaft & Lever
31	7037569		Seal—Inter. Choke Shaft
32	7043367		Seal—Choke Housing to Bowl
33	7019709		Screw—Coil Lever
34	7038808		Screw—Choke Housing to Bowl
35	7041542		Lever—Choke
36	7029866		Screw—Choke Lever
37	7000614		Retainer—Stat Cover (3)
38	7011270		Screw—Stat Cover (3)
39	17065643	17065620	FLOAT BOWL PARTS
40	7048871		Float Bowl Assembly
41	7042979		Pump Assembly
42	7044332		Spring—Pump Return
43	7041469		Float Assembly
44	7033751		Hinge Pin—Float
45	30-134		Pull Clip—Float Needle
46	7041459		Gasket—Needle Seat
47	7031365		Spring—Metering Rod—Primary
48	17051344	17057752	Baffle Plate—Float Bowl
49	7031971	7031972	Metering Rod—Primary
50	17051792		Metering Jet—Primary
51	7041471		Power Piston Assembly
52	7029849		Insert—Float Bowl
53	7002117		Retainer—Pump Discharge Ball
54	7029529	17051705	Ball—Pump Discharge
55	—		Spring—Power Piston
56	7041473		Clip—Pump Rod
57	17059861		Lockout Lever—Secondary
58	7024281		Filter Nut—Fuel Inlet
59	17051796		Gasket—Inlet Nut
60	GF-471		Insert—Aneoid Cavity
61	7032732		Filter—Fuel Inlet
62	7026138		Spring—Inlet Filter
63	7002121		Rod—Pump
64	7003176		Screw—Idle Stop
65	—		Spring—Idle Stop Screw
66	—		A.P.T. Rod Assembly
67	7035906		Aneoid Assembly
68	7027970		Idle Compensator Assy.
69	7029865		Gasket—Idle Compensator
70	7027970		Cover—Idle Compensator
71	7029866		Screw—Cover Attaching
72	7036079		THROTTLE BODY PARTS
73	7041498		Screw—Fast Idle Levers Attaching
74	7029900		Lever—Fast Idle
75	7044794		Spring—Fast Idle Screw
76	7041497		Screw—Fast Idle Adjusting
77	7041497		Lever—Cam Follower
78	10001651	17062401	Gasket—Throttle Body
			Spring—Throttle Body
			Screw—Throttle Body
			Idle Needle & Spring Assembly
			Spring—Idle Needle
			Insulator—Flange

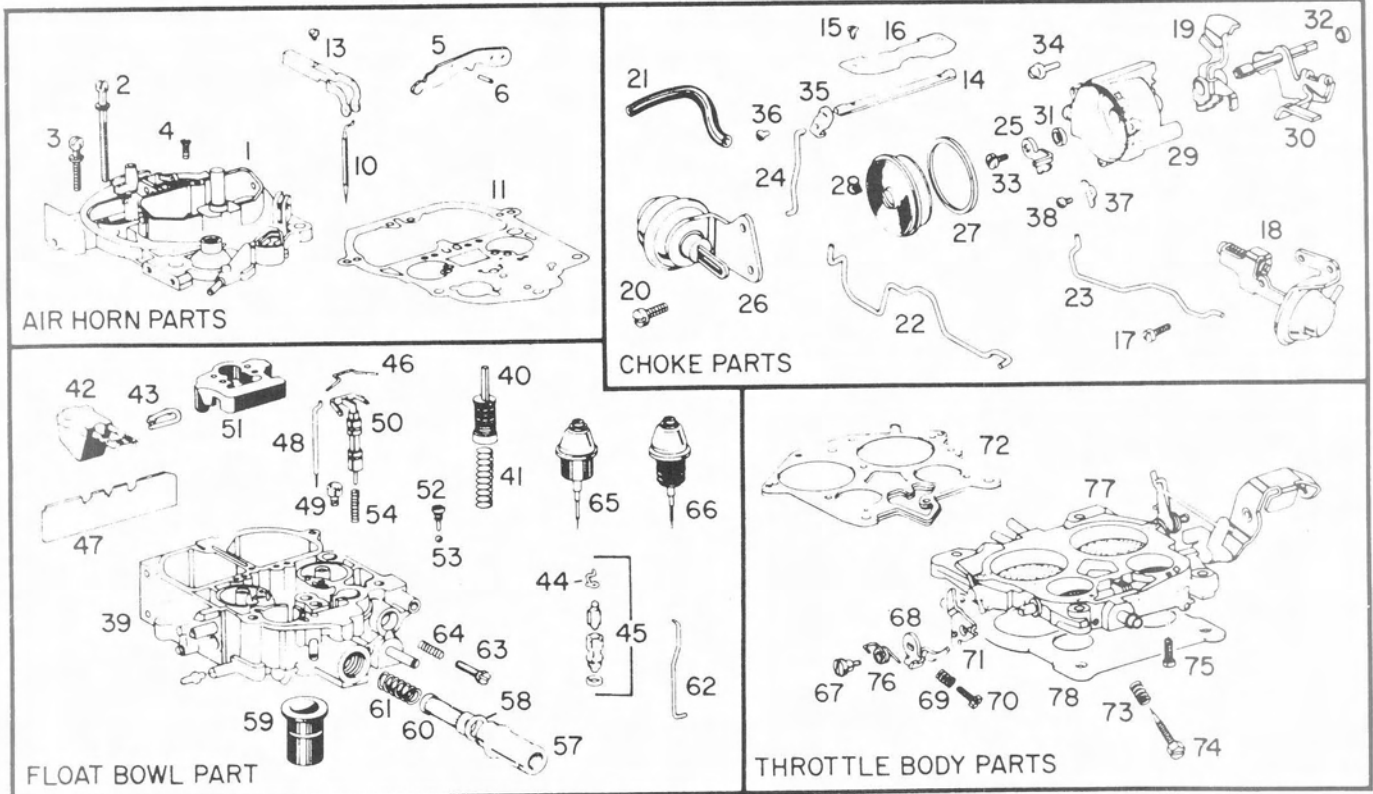


Delco Carburetor

BULLETIN: 9C-6129
DATE: APRIL 1979
PAGE: 1

MODEL M4MC QUADRAJET 1979 PONTIAC LEMANS AND GRAND PRIX 305 CUBIC INCH ENGINE

A-LeMans, Grand Am; ASP-Grand Prix; B-Catalina, Bonneville; F-Firebird; HSP-Sunbird; X-Phoenix



PARTS SHOWN ARE FOR IDENTIFICATION ONLY. CONSULT PARTS LIST FOR CORRECT PART NAME AND NUMBER

PARTS IN ALL COLUMNS SAME — EXCEPT WHERE INDICATED

ILLUS. NO.	ALTITUDE A-SEDAN ASP NON A/C AUTO. TRANS.	ALTITUDE A-SEDAN ASP AIR COND. AUTO. TRANS.	APPLICATION
		17059582	17059584
	24-3222		REPLACEMENT PACKAGE No.
	17065434		OVERHAUL KIT
	9371		POWER CARBURETOR KIT
	40-488		GASKET SET
ILLUS. No.	AIR HORN PARTS		
1	17055703		Air Horn Assembly
2	7029912		Screw—Air Horn
3	7014699		Screw—Air Horn
4	7031105		Screw—Air Horn
5	7048169		Lever—Pump Actuating
6	9428787		Roll Pin—Pump and Lockout Levers
7	—		Screw—Idle Vent Valve
8	—		Valve—Idle Vent
9	—		Idle Vent Valve Kit
10	7045779		Metering Rod—Secondary
11	17056357		Gasket—Air Horn
12	—		Lockout Lever—Air Valve
13	7034522		Secondary Metering Rod Holder Kit
—	7035344		Air Valve Spring and Cam Kit

	17059582	17059584	CARBURETOR No.
Illus. No.		CHOKE PARTS	
14	7038259		Choke Shaft
15	7029866		Screw—Choke Shaft
16	7048904		Choke Valve
17	17050732		Screw—Vacuum Break Control
18	17050759		Vacuum Break Control and Bracket Assembly
19	17061541		Cam—Fast Idle
20	—		Screw—Aux. Vac. Brk. Mounting
21	7026339		Hose—Vacuum
22	7041527		Rod—Vacuum Break
—	7031231		Lever—Intermediate Choke
23	—		Link—Aux. Vac. Break
24	7041472		Rod—Choke
25	7041499		Lever—Choke Coil
26	—		Vacuum Break Control & Bracket Assy. Aux.
27	17050961		Gasket—Stat Cover
28	7036948		Stat Cover—Coil & Gasket Assy.
29	17065162		Choke Housing Kit
30	17050754		Intermediate Choke Shaft & Lever
31	7037569		Seal—Inter.Choke Shaft
32	7043367		Seal—Choke Housing to Bowl
33	7019709		Screw—Coil Lever
34	7038808		Screw—Choke Housing to Bowl
35	7041542		Lever—Choke
36	7029866		Screw—Choke Lever
37	7000614		Retainer—Stat Cover (3)
38	7011270		Screw—Stat Cover (3)
		FLOAT BOWL PARTS	
39	17065430		Float Bowl Assembly
40	17051117		Pump Assembly
41	7042979		Spring—Pump Return
42	7043379		Float Assembly
43	7041469		Hinge Pin—Float
44	7033751		Pull Clip—Float Needle
45	30-134		Needle and Seat Assembly
	KIT ONLY		Gasket—Needle Seat
46	7041459		Spring—Metering Rod—Primary
47	7031365		Baffle Plate—Float Bowl
48	17051341		Metering Rod—Primary
49	7031971		Metering Jet—Primary
50	17051792		Power Piston Assembly
51	7041471		Insert—Float Bowl
52	7029849		Retainer—Pump Discharge Ball
53	7002117		Ball—Pump Discharge
54	7036019		Spring—Power Piston
55	—		Clip—Pump Rod
56	7041473		Lockout Lever—Secondary
57	17051254		Filter Nut—Fuel Inlet
58	7024281		Gasket—Inlet Nut
59	17051796		Insert—Aneroid Cavity
60	GF-471		Filter—Fuel Inlet
61	7043568		Spring—Inlet Filter
62	7026138		Rod—Pump
63	7002121		Screw—Idle Stop
64	7003176		Spring—Idle Stop Screw
65	—	—	A.P.T. Rod Assembly
66	—	—	Aneroid Assembly
—	NONE	17061769	Solenoid & Bracket Assy.
—	NONE	7043682	Screw—Bracket Attaching (2)
		THROTTLE BODY PARTS	
67	7036079		Screw—Fast Idle Levers Attaching
68	7041498		Lever—Fast Idle
69	7029900		Spring—Fast Idle Screw
70	7044794		Screw—Fast Idle Adjusting
71	7041497		Lever—Cam Follower
72	KIT ONLY		Gasket—Throttle Body
73	—		Spring—Idle Needle
74	17062905		Idle Needle & Spring Assembly
75	7035790		Screw—Throttle Body
76	17051494		Spring—Cam Follower Lever
77	17061364		Throttle Body Assembly
78	476325		Insulator—Flange

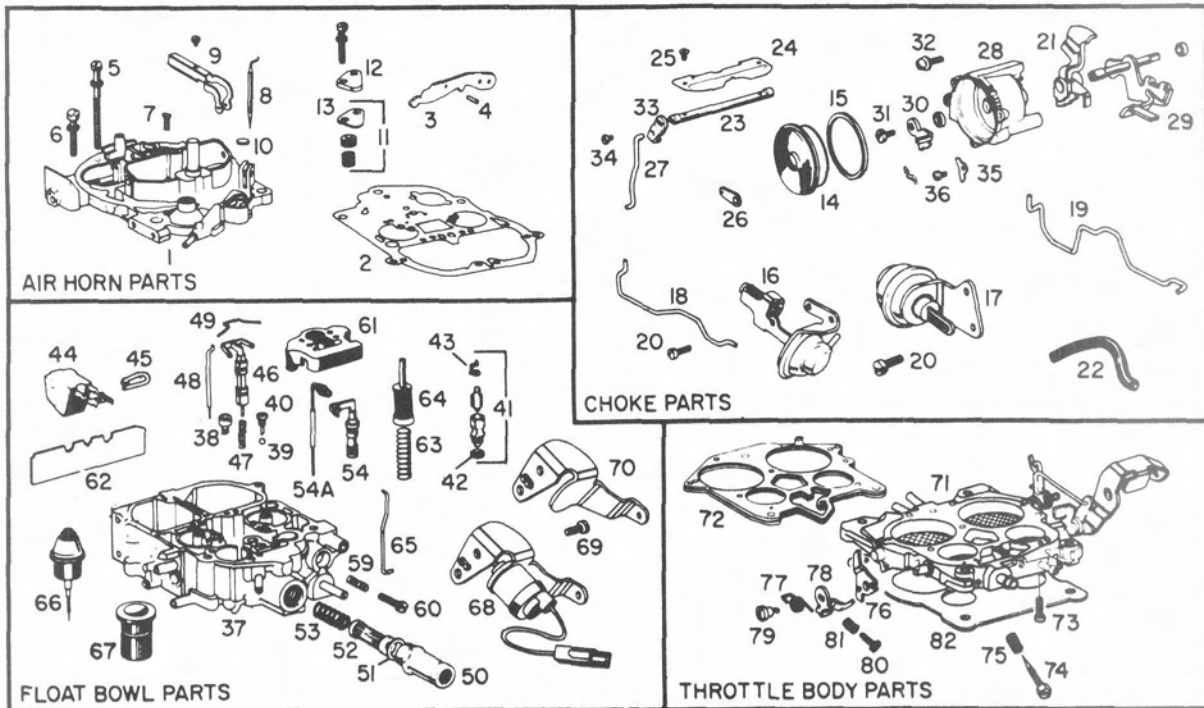


Delco Carburetor

**MODEL M4ME QUADRAJET
1979 PONTIAC CATALINA AND BONNEVILLE
350 CUBIC INCH ENGINE**

**BULLETIN: 9C-8130
DATE: APRIL 1979
PAGE: 1**

A-LeMans, Grand Am; ASP-Grand Prix; B-Catalina, Bonneville; F-Firebird; HSP-Sunbird; X-Phoenix



PARTS SHOWN ARE FOR IDENTIFICATION ONLY. CONSULT PARTS LIST FOR CORRECT PART NAME AND NUMBER

PARTS IN ALL COLUMNS SAME — EXCEPT WHERE INDICATED

	FEDERAL B A/C NON A/C AUTO TRANS	APPLICATION
	17059241	CARBURETOR No.
	24-1243	REPLACEMENT PKG. No.
	17065465	OVERHAUL KIT
	9377	POWER CARB. KIT
	40-490	GASKET SET
Illus. No.	AIR HORN PARTS	
1	17065460	Air Horn Assembly
2	17056357	Gasket—Air Horn
3	7048169	Lever—Pump Actuating
4	9428787	Roll Pin—Pump & Lockout Lever Hinge
5	7029912	Screw—Air Horn
6	7014699	Screw—Air Horn
7	7031105	Screw—Air Horn
8	7045986	Metering Rod—Secondary
9	7034522	Sec. Metering Rod Holder Kit
—	7035344	Air Valve Spring & Cam Kit
10	—	
11	—	
12	—	
13	—	
	CHOKE PARTS	
14	17051964	Stat Cover, Coil & Gasket Assy.
15	17050961	Gasket—Stat Cover
16	17051261	Vacuum Break Control & Bracket Assy.
17	17050742	Aux.—Vacuum Break Control, Bracket Assy.

Illustr. No.	CHOKE PARTS (Continued)	CARBURETOR No.
18	Rod—Vacuum Break 7041527	17059241
19	Link—Aux. Vacuum Break 17050738	
20	Screw—Aux. Vacuum Break Mounting 7043682	
21	Screw—Control Attaching 17050732	
22	Cam—Fast Idle 17052371	
22	Hose—Vacuum 7026339	
23	Choke Shaft 7038259	
24	Choke Valve 7048904	
25	Screw—Choke Valve 7029866	
26	Lever—Inter. Choke 7031231	
27	Rod—Choke 7041472	
28	Choke Housing Kit 17051970	
29	Inter. Choke Shaft & Lever Assy. 17050754	
—	Seal—Inter. Choke Shaft 7037569	
—	Seal—Choke Housing to Bowl 7043367	
30	Lever—Stat Coil 7043368	
31	Screw—Coil Lever 7019709	
32	Screw—Choke Housing to Bowl 7038808	
33	Lever—Choke 7041542	
34	Screw—Choke Lever 7029866	
35	Retainer—Stat Cover 7000614	
36	Screw—Stat Cover 7011270	
37	Float Bowl Assembly 17065461	
38	Jet—Primary 7031973	
39	Ball—Pump Discharge 7002117	
40	Retainer—Pump Discharge Ball 7029849	
41	Needle & Seat Assy. 30-150	
42	Gasket—Needle Seat KIT ONLY	
43	Full Clip—Float Needle 7033751	
44	Float Assembly 7046300	
45	Hinge Pin—Float Assembly 7041469	
46	Power Piston Assembly 17051792	
47	Spring—Power Piston—Primary 17054215	
48	Metering Rod—Primary 17051348	
49	Spring—Metering Rod—Primary 7041459	
50	Filter Nut—Fuel Inlet 17059861	
51	Gasket—Filter Nut 7024281	
52	Filter—Fuel Inlet GF-471	
53	Spring—Fuel Filter 7032732	
54	Aux. Power Piston Assy. —	
55	Lever—Secondary Lockout 7041473	
55	Idle Compensator Assembly —	
56	Gasket—Idle Compensator —	
57	Cover—Idle Compensator —	
58	Screw—Cover Attaching —	
59	Spring—Idle Stop Screw 7003176	
60	Screw—Idle Stop 7002121	
61	Insert—Float Bowl 7041471	
62	Baffle—Float Bowl 7031365	
63	Spring—Pump Return 7042979	
64	Pump Assembly 17051117	
65	Rod—Pump 7026138	
66	Aneroid Insert 17051796	
68	Solenoid & Bracket Assy. NONE	
69	Screw—Bracket Attaching NONE	
70	Bracket—Throttle Return Spring —	
71	Throttle Body Assembly 17062950	
72	Gasket—Throttle Body KIT ONLY	
73	Screw—Throttle Body 7035790	
74	Idle Needle 17062905	
75	Spring—Idle Needle —	
76	Lever—Cam Follower 7041497	
77	Spring—Cam Lever 17051494	
78	Fast Idle Lever 7041498	
79	Screw—Fast Idle Lever 7036079	
80	Screw—Fast Idle Adjusting 7044794	
81	Spring—Fast Idle Screw 7029900	
82	Gasket—Flange 1259887	

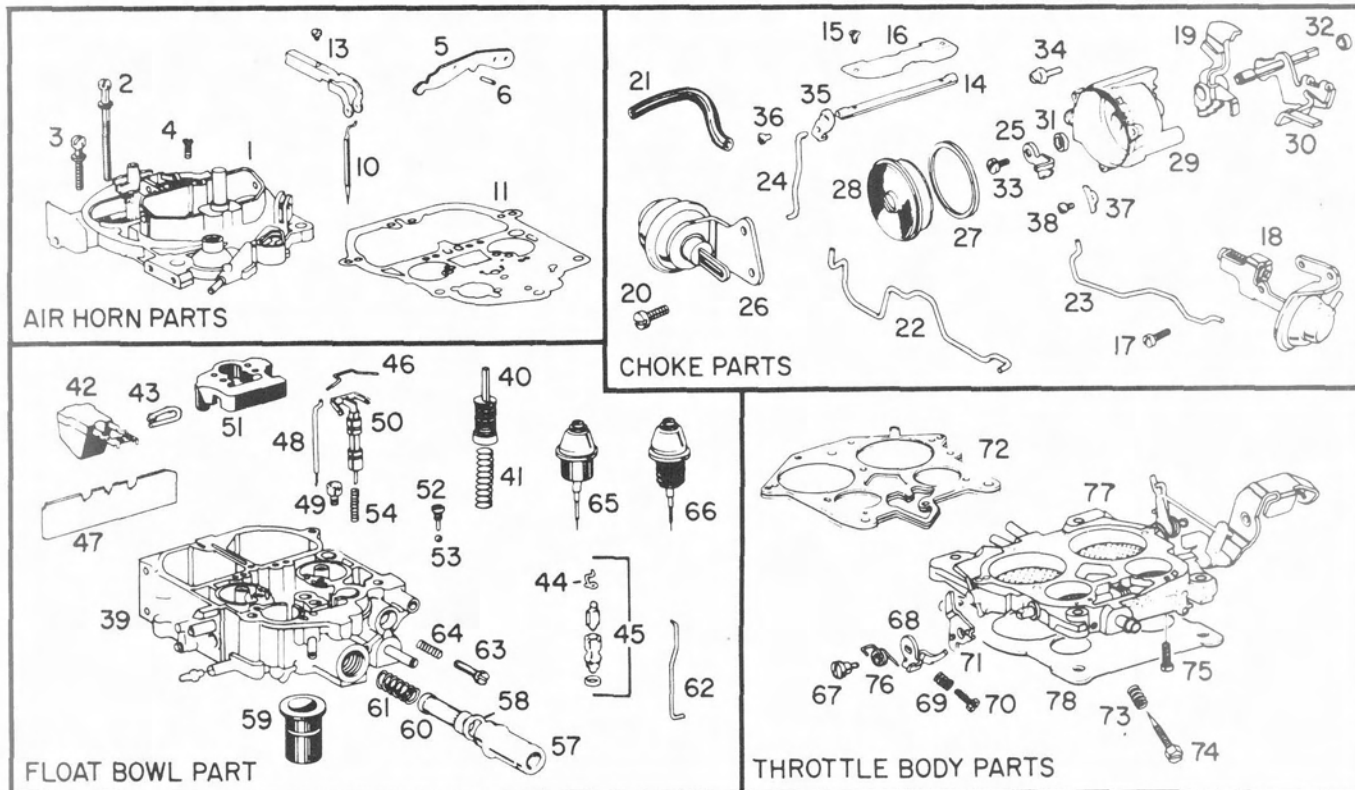


Delco Carburetor

MODEL M4MC QUADRAJET
PONTIAC CATALINA AND BONNEVILLE
350 CUBIC INCH ENGINE

BULLETIN: 9C-6131
DATE: APRIL 1979
PAGE: 1

A-LeMans, Grand Am; ASP-Grand Prix; B-Catalina, Bonneville; F-Firebird; HSP-Sunbird; X-Phoenix



PARTS SHOWN ARE FOR IDENTIFICATION ONLY. CONSULT PARTS LIST FOR CORRECT PART NAME AND NUMBER

PARTS IN ALL COLUMNS SAME — EXCEPT WHERE INDICATED

	FEDERAL B NON A/C AUTO TRANS	FEDERAL B AIR COND. AUTO TRANS	APPLICATION
	17059247	17059249	CARBURETOR No.
	24-1230		REPLACEMENT PKG. No.
	17065995		OVERHAUL KIT
	9393		POWER CARB. KIT
	40-490		GASKET SET
Illus. No.	AIR HORN PARTS		
1	17065460		Air Horn Assembly
2	17056357		Gasket—Air Horn
3	7048169		Lever—Pump Actuating
4	9428787		Roll Pin—Pump & Lockout Lever Hinge
5	7029912		Screw—Air Horn
6	7014699		Screw—Air Horn
7	7031105		Screw—Air Horn
8	7045986		Metering Rod—Secondary
9	7034522		Sec. Metering Rod Holder Kit
—	7035344		Air Valve Spring & Cam Kit
10	—		
11	—		
12	—		
13	—		
	CHOKE PARTS		
14	17051964		Stat Cover, Coil & Gasket Assy.
15	17050961		Gasket—Start Cover
16	17051261		Vacuum Break Control & Bracket Assy.
17	17050742		Aux. Vacuum Break Control, Bracket Assy.

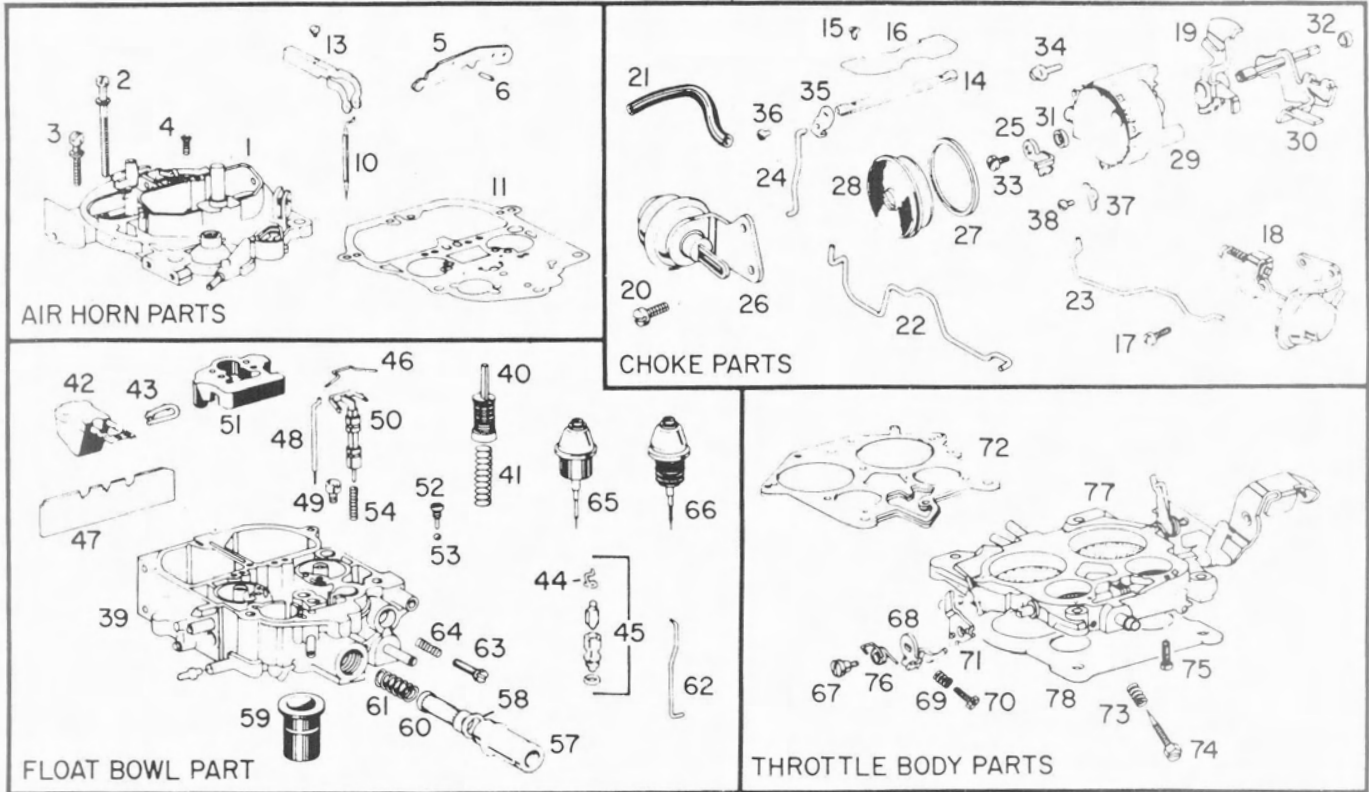
	17059247	17059249	CARBURETOR No.
Illus. No.		CHOKE PARTS (Continued)	
18	7041527		Rod—Vacuum Break
19	17050738		Link—Aux. Vac. Break
—	7043682		Screw—Aux. Vacuum Break Mounting
20	17050732		Screw—Control Attaching
21	17052371		Cam—Fast Idle
22	7026339		Hose—Vacuum
23	7038259		Choke Shaft
24	7048904		Choke Valve
25	7029886		Screw—Choke Valve
26	7031231		Lever—Inter. Choke
27	17058457		Rod—Choke
28	17051970		Choke Housing Kit
29	17050754		Inter. Choke Shaft & Lever Assy.
—	7037569		Seal—Inter. Choke Shaft
—	7043367		Seal—Choke Housing to Bowl
30	7043368		Lever—Stat Coil
31	7019709		Screw—Coil Lever
32	7038808		Screw—Choke Housing to Bowl
33	7041542		Lever—Choke
34	7029866		Screw—Choke Lever
35	7000614		Retainer—Stat Cover
36	7011270		Screw—Stat Cover
		FLOAT BOWL PARTS	
37	17065996		Float Bowl Assembly
38	7031973		Jet—Primary
39	7002117		Ball—Pump Discharge
40	7029849		Retainer—Pump Discharge Ball
41	30-150		Needle & Seat Assy.
42	KIT ONLY		Gasket—Needle Seat
43	7033751		Pull Clip—Float Needle
44	7046300		Float Assembly
45	7041469		Hinge Pin—Float Assembly
46	7044449		Power Piston Assembly
47	17063546		Spring—Power Piston—Primary
—			
48	17057755		Metering Rod—Primary
49	7041459		Spring—Metering Rod—Primary
50	17059861		Filter Nut—Fuel Inlet
51	7024281		Gasket—Filter Nut
52	GF-471		Filter—Fuel Inlet
53	7032732		Spring—Fuel Filter
54	—		Aux. Power Piston Assy.
—	7041473		Lever—Secondary Lockout
55	—		Idle Compensator Assembly
56	—		Gasket—Idle Compensator
57	—		Cover—Idle Compensator
58	—		Screw—Cover Attaching
59	7003176		Spring—Idle Stop Screw
60	7002121		Screw—Idle Stop
61	7041471		Insert—Float Bowl
62	7031365		Baffle—Float Bowl
63	7042979		Spring—Pump Return
64	7048871		Pump Assembly (Heavy Duty)
65	7026138		Rod—Pump
66	—		
67	17051796		Aneroid Insert
68	NONE	17058495	Solenoid & Bracket Assy.
69	NONE	7043682	Screw—Bracket Attaching
70	—	—	Bracket—Throttle Return Spring
		THROTTLE BODY PARTS	
71	17062950		Throttle Body Assembly
72	KIT ONLY		Gasket—Throttle Body
73	7035790		Screw—Throttle Body
74	17062905		Idle Needle and Spring Assy.
75	—		Spring—Idle Needle
76	7041497		Lever—Cam Follower
77	17051494		Spring—Cam Lever
78	7041498		Fast Idle Lever
79	7036079		Screw—Fast Idle Lever
80	7044794		Screw—Fast Idle Adjusting
81	7029900		Spring—Fast Idle Screw
82	1259887		Gasket—Flange



Delco Carburetor

MODEL M4MC QUADRAJET
1979 PONTIAC PARISENE AND LAURENTIAN
(CANADA ONLY Z-94 OPTION)
350 CU. IN. ENGINE

BULLETIN: 9C-6132
DATE: APRIL 1979
PAGE: 1



PARTS SHOWN ARE FOR IDENTIFICATION ONLY. CONSULT PARTS LIST FOR CORRECT PART NAME AND NUMBER

PARTS IN ALL COLUMNS SAME — EXCEPT WHERE INDICATED

Illus. No.	CANADA ONLY	CANADA ONLY	APPLICATION
	B NON A/C AUTO. TRANS.	B AIR COND. AUTO TRANS.	
	17059282	17059284	CARBURETOR No.
	24-3225		REPLACEMENT PACKAGE No.
	17065440		OVERHAUL KIT
	9371		POWER CARBURETOR KIT
	40-488		GASKET SET
	AIR HORN PARTS		
1	17055703		Air Horn Assembly
2	7029912		Screw—Air Horn
3	7014699		Screw—Air Horn
4	7031105		Screw—Air Horn
5	7048169		Lever—Pump Actuating
6	9428787		Roll Pin—Pump and Lockout Levers
7	—		Screw—Idle Vent Valve
8	—		Valve—Idle Vent
9	—		Idle Vent Valve Kit
10	7045779		Metering Rod—Secondary
11	17056357		Gasket—Air Horn
12	—		Lockout Lever—Air Valve
13	7034522		Secondary Metering Rod Holder Kit
—	7035344		Air Valve Spring and Cam Kit
14	7038259		Choke Shaft
15	7029866		Screw—Choke Valve
16	7048904		Choke Valve
17	17050732		Screw—Vacuum Break Control

Illus. No.	17059282	17059284	CARBURETOR No.
CHOKE PARTS			
18	17050759		Vacuum Break Control and Bracket Assembly
19	17061541		Cam—Fast Idle
20	—		Screw—Aux. Vac. Brk. Mounting
21	7026339		Hose—Vacuum
22	7041527		Rod—Vacuum Break
—	7031231		Lever—Intermediate Choke
23	—		Link—Aux. Vac. Break
24	7041472		Rod—Choke
25	7041499		Lever—Choke Coil
26	—		Vacuum Break Control & Brkt. Assy. Aux.
27	17050961		Gasket—Stat Cover
28	17051918		Stat Cover—Coil & Gasket Assy.
29	17065162		Choke Housing Kit
30	17050754		Intermediate Choke Shaft & Lever
31	7037569		Seal Inter. Choke Shaft
32	7043367		Seal—Choke Housing to Bowl
33	7019709		Screw—Coil Lever
34	7038808		Screw—Choke Housing to Bowl
35	7041542		Lever—Choke
36	7029866		Screw—Choke Lever
37	7000614		Retainer—Stat Cover (3)
38	7011270		Screw—Stat Cover (3)
FLOAT BOWL PARTS			
39	17065430		Float Bowl Assembly
40	17051117		Pump Assembly
41	7042979		Spring—Pump Return
42	7043379		Float Assembly
43	7041469		Hing Pin—Float
44	7033751		Pull Clip—Float Needle
45	30-134		Needle and Seat Assembly
	KIT ONLY		Gasket—Needle Seat
46	7041459		Spring—Metering Rod—Primary
47	7031365		Baffle Plate—Float Bowl
48	17051351		Metering Rod—Primary
49	7031977		Metering Jet—Primary
50	17051792		Power Piston Assembly
51	7041471		Insert—Float Bowl
52	7029849		Retainer—Pump Discharge Ball
53	7002117		Ball—Pump Discharge
54	7029529		Spring—Power Piston
55	—		Clip—Pump Rod
56	7041473		Lockout Lever—Secondary
57	17051254		Filter Nut—Fuel Inlet
58	7024281		Gasket—Inlet Nut
59	17051796		Insert—Aneroid Cavity
60	GF-471		Filter—Fuel Inlet
61	7043568		Spring—Inlet Filter
62	7026138		Rod—Pump
63	7002121		Screw—Idle Stop
64	7003176		Spring—Idle Stop Screw
65	—	—	S.P.T. Rod Assembly
66	—	—	Aneroid Assembly
—	NONE	17061769	Solenoid & Bracket Assy.
—	NONE	7043682	Screw—Bracket Attaching (2)
THROTTLE BODY PARTS			
67	17061371		Screw—Fast Idle Levers Attaching
68	7041498		Lever—Fast Idle
69	7029900		Spring—Fast Idle Screw
70	7044794		Screw—Fast Idle Adjusting
71	7041497		Lever—Cam Follower
72	KIT ONLY		Gasket—Throttle Body
73	—		Spring—Idle Needle
74	17062909		Idle Needle & Spring Assembly
75	7035790		Screw—Throttle Body
76	17051494		Spring—Cam Follower Lever
77	17061401		Throttle Body Assembly
78	476325		Insulator—Flange



Delco Carburetor

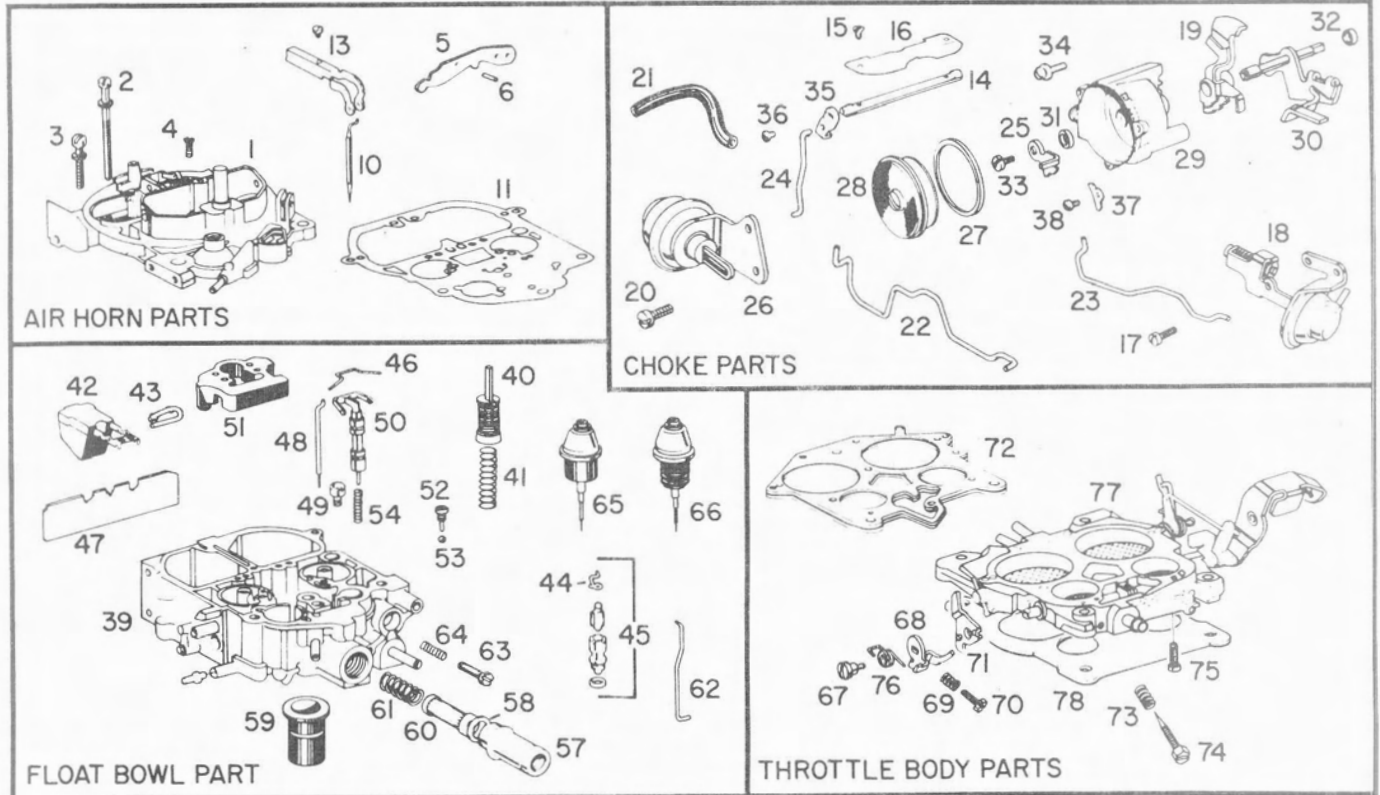
BULLETIN: 9C-8133
DATE: APRIL 1979
PAGE: 1

MODEL M4MC QUADRAJET

1979 PONTIAC PHOENIX

350 CUBIC INCH ENGINE

A-LeMans, Grand Am; ASP-Grand Prix; B-Catalina, Bonneville; F-Firebird; HSP-Sunbird; X-Phoenix



PARTS SHOWN ARE FOR IDENTIFICATION ONLY. CONSULT PARTS LIST FOR CORRECT PART NAME AND NUMBER

PARTS IN ALL COLUMNS SAME — EXCEPT WHERE INDICATED

	CALIF. X NON A/C A/T	CALIF. X A/C A/T	APPLICATION
	17059502	17059504	CARBURETOR No.
	24-3220		REPLACEMENT PACKAGE No.
	17065434		OVERHAUL KIT
	9371		POWER CARBURETOR KIT
	40-488		GASKET SET
Illus. No.	AIR HORN PARTS		
1	17055703		Air Horn Assembly
2	7029912		Screw—Air Horn
3	7014699		Screw—Air Horn
4	7031105		Screw—Air Horn
5	7048169		Lever—Pump Actuating
6	9428787		Roll Pin—Pump and Lockout Levers
7	—		Screw—Idle Vent Valve
8	—		Valve—Idle Vent
9	—		Idle Vent Valve Kit
10	7045779		Metering Rod—Secondary
11	17056357		Gasket—Air Horn
12	—		Lockout Lever—Air Valve
13	7034522		Secondary Metering Rod Holder Kit
—	7035344		Air Valve Spring and Cam Kit

	17059502	17059504	CARBURETOR No.
Illus. No.		CHOKE PARTS	
14	7038259		Choke Shaft
15	7029866		Screw—Choke Shaft
16	7048904		Choke Valve
17	17050732		Screw—Vacuum Break Control
18	17050759		Vacuum Break Control and Bracket Assembly
19	17061541		Cam—Fast Idle
20	—		Screw—Aux. Vacuum Break Mounting
21	7026339		Hose—Vacuum
22	7041527		Rod—Vacuum Break
—	7031231		Lever—Intermediate Choke
23	—		Link—Aux. Vacuum Break
24	7041472		Rod—Choke
25	7041499		Lever—Choke Coil
26	—		Vacuum Break Control & Bracket Assy. Aux.
27	17050961		Gasket—Stat Cover
28	17051918		Stat Cover—Coil & Gasket Assy.
29	17065162		Choke Housing Kit
30	17050754		Intermediate Choke Shaft & Lever
31	7037569		Seal—Inter. Choke Shaft
32	7043367		Seal—Choke Housing to Bowl
33	7019709		Screw—Coil Lever
34	7038808		Screw—Choke Housing to Bowl
35	7041542		Lever—Choke
36	7029866		Screw—Choke Lever
37	7000614		Retainer—Stat Cover (3)
38	7011270		Screw—Stat Cover (3)
		FLOAT BOWL PARTS	
39	17065430		Float Bowl Assembly
40	17051117		Pump Assembly
41	7042979		Spring—Pump Return
42	7043379		Float Assembly
43	7041469		Hinge Pin—Float
44	7033751		Pull Clip—Float Needle
45	30-134		Needle and Seat Assembly
	KIT ONLY		Gasket—Needle Seat
46	7041459		Spring—Metering Rod—Primary
47	7031365		Baffle Plate—Float Bowl
48	17051340		Metering Rod—Primary
49	7031972		Metering Jet—Primary
50	17051792		Power Piston Assembly
51	7041471		Insert—Float Bowl
52	7029849		Retainer—Pump Discharge Ball
53	7002117		Ball—Pump Discharge
54	7037305		Spring—Power Piston
55	—		Clip—Pump Rod
56	7041473		Lockout Lever—Secondary
57	17051254		Filter Nut—Fuel Inlet
58	7024281		Gasket—Inlet Nut
59	17051796		Insert—Aneroid Cavity
60	GF-471		Filter—Fuel Inlet
61	7043568		Spring—Inlet Filter
62	7026138		Rod—Pump
63	7002121		Screw—Idle Stop
64	7003176		Spring—Idle Stop Screw
65	—	—	A.P.T. Rod Assembly
66	—	—	Aneroid Assembly
—	—	17061769	Solenoid & Bracket Assy.
—	—	7043682	Screw—Bracket Attaching (2)
		THROTTLE BODY PARTS	
67	7036079		Screw—Fast Idle Levers Attaching
68	7041498		Lever—Fast Idle
69	7029900		Spring—Fast Idle Screw
70	7044794		Screw—Fast Idle Adjusting
71	7041497		Lever—Cam Follower
72	KIT ONLY		Gasket—Throttle Body
73	—		Spring—Idle Needle
74	17062905		Idle Needle & Spring Assembly
75	7035790		Screw—Throttle Body
76	17051494		Spring—Cam Follower Lever
77	17061364		Throttle Body Assembly
78	476325		Insulator—Flange



Delco Carburetor

MODEL M4MC QUADRAJET

1979 PONTIAC LEMANS, PHOENIX, AND FIREBIRD

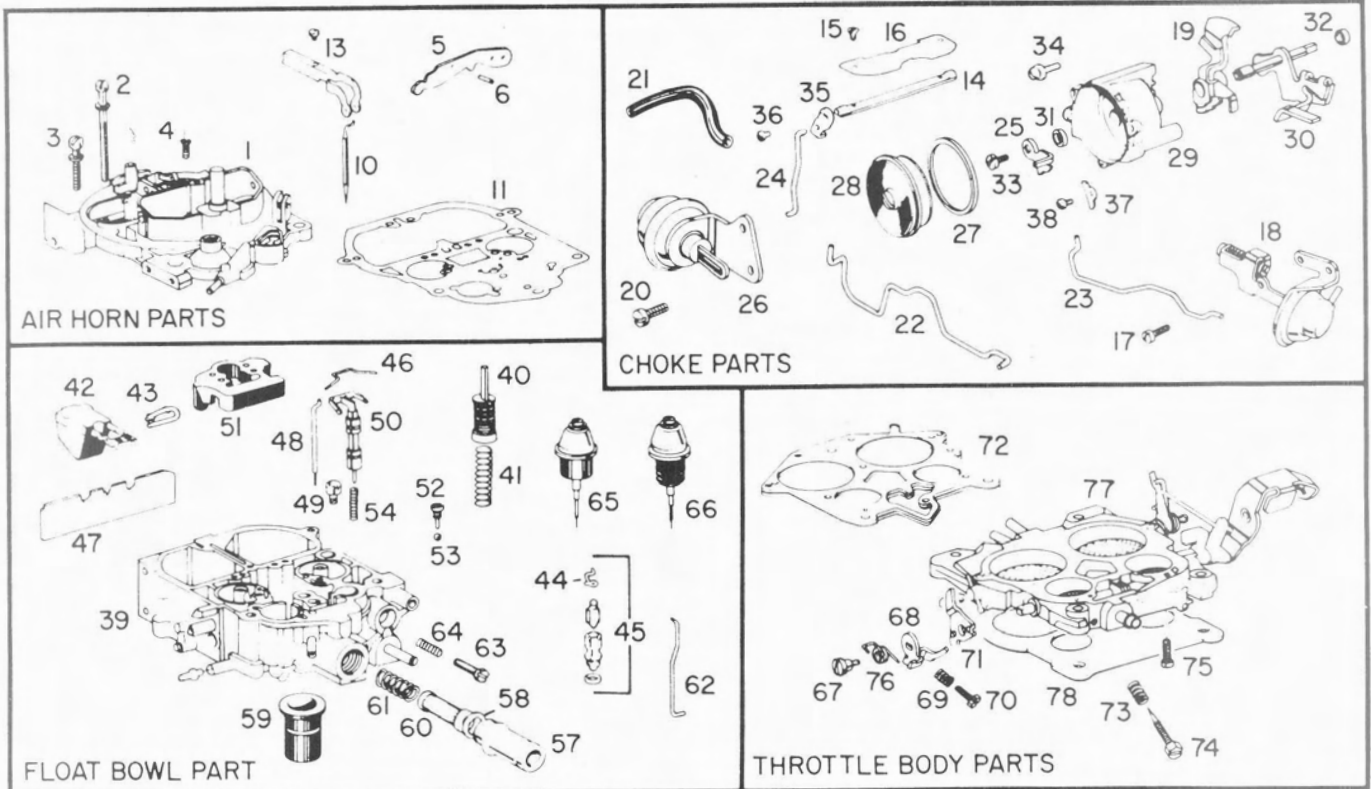
350 CUBIC INCH ENGINE

BULLETIN: 9C-6134

DATE: APRIL 1979

PAGE: 1

A-LeMans, Grand Am; ASP-Grand Prix; B-Catalina, Bonneville; F-Firebird; HSP-Sunbird; X-Phoenix



PARTS SHOWN ARE FOR IDENTIFICATION ONLY. CONSULT PARTS LIST FOR CORRECT PART NAME AND NUMBER

PARTS IN ALL COLUMNS SAME — EXCEPT WHERE INDICATED

	ALTITUDE A-WAG F, X NON A/C AUTO. TRANS.	ALTITUDE A-WAGON, F, X AIR COND. AUTO. TRANS.	APPLICATION
	17059582	17059584	CARBURETOR No.
	24-3222		REPLACEMENT PACKAGE No.
	17065434		OVERHAUL KIT
	9371		POWER CARBURETOR KIT
	40-488		GASKET SET
Illus. No.	AIR HORN PARTS		
1	17055703		Air Horn Assembly
2	7029912		Screw—Air Horn
3	7014699		Screw—Air Horn
4	7031105		Screw—Air Horn
5	7048169		Lever—Pump Actuating
6	9428787		Roll Pin—Pump & Lockout Lvrs.
7	—		Screw—Idle Vent Valve
8	—		Valve—Idle Vent
9	—		Idle Vent Valve Kit
10	7045779		Metering Rod—Secondary
11	17056357		Gasket—Air Horn
12	—		Lockout Lever—Air Valve
13	7034522		Sec. Metering Rod Holder Kit
—	7035344		Air Valve Spring & Cam Kit

	17059582	17059584	CARBURETOR No.
Illus. No.		CHOKE PARTS	
14	7038259		Choke Shaft
15	7029866		Screw—Choke Shaft
16	7048904		Choke Valve
17	17050732		Screw—Vacuum Break Control
18	17050759		Vacuum Break Control and Bracket Assembly
19	17061541		Cam—Fast Idle
20	—		Screw—Aux. Vac. Brk. Mnting.
21	7026339		Hose—Vacuum
22	7041527		Rod—Vacuum Break
—	7031231		Lever—Inter. Choke
23	—		Link—Aux. Vac. Break
24	7041472		Rod—Choke
25	7041499		Lever—Choke Coil
26	—		Vacuum Break Control & Brkt. Assy. Aux.
27	17050961		Gasket—Stat Cover
28	7036948		Stat Cover — Coil & Gasket Assy.
29	17065162		Choke Housing Kit
30	17050754		Inter. Choke Shaft & Lever
31	7037569		Seal—Inter. Choke Shaft
32	7043367		Seal—Choke Housing to Bowl
33	7019709		Screw—Coil Lever
34	7038808		Screw—Choke Housing to Bowl
35	7041542		Lever—Choke
36	7029866		Screw—Choke Lever
37	7000614		Retainer—Stat Cover (3)
38	7011270		Screw—Stat Cover (3)
		FLOAT BOWL PARTS	
39	17065430		Float Bowl Assembly
40	17051117		Pump Assembly
41	7042979		Spring—Pump Return
42	7043379		Float Assembly
43	7041469		Hinge Pin—Float
44	7033751		Pull Clip—Float Needle
45	30-134		Needle and Seat Assembly
	KIT ONLY		Gasket—Needle Seat
46	7041459		Spring—Metering Rod—Primary
47	7031365		Baffle Plate—Float Bowl
48	17051341		Metering Rod—Primary
49	7031971		Metering Jet—Primary
50	17051792		Power Piston Assembly
51	7041471		Insert—Float Bowl
52	7029849		Retainer—Pump Disch. Ball
53	7002117		Ball—Pump Discharge
54	7036019		Spring—Power Piston
55	—		Clip—Pump Rod
56	7041473		Lockout Lever—Secondary
57	17051254		Filter Nut—Fuel Inlet
58	7024281		Gasket—Inlet Nut
59	17051796		Insert—Aneroid Cavity
60	GF-471		Filter—Fuel Inlet
61	7043568		Spring—Inlet Filter
62	7026138		Rod—Pump
63	7002121		Screw—Idle Stop
64	7003176		Spring—Idle Stop Screw
65	—	—	A.P.T. Rod Assembly
66	—	—	Aneroid Assembly
—	NONE	17061769	Solenoid & Bracket Assy.
—	NONE	7043682	Screw—Bracket Attaching (2)
		THROTTLE BODY PARTS	
67	7036079		Screw—Fast Idle Levers Attaching
68	7041498		Lever—Fast Idle
69	7029900		Spring—Fast Idle Screw
70	7044794		Screw—Fast Idle Adjusting
71	7041497		Lever—Cam Follower
72	KIT ONLY		Gasket—Throttle Body
73	—		Spring—Idle Needle
74	17062905		Idle Needle & Spring Assembly
75	7035790		Screw—Throttle Body
76	17051494		Spring—Cam Follower Lever
77	17061364		Throttle Body Assembly
78	476325		Insulator—Flange

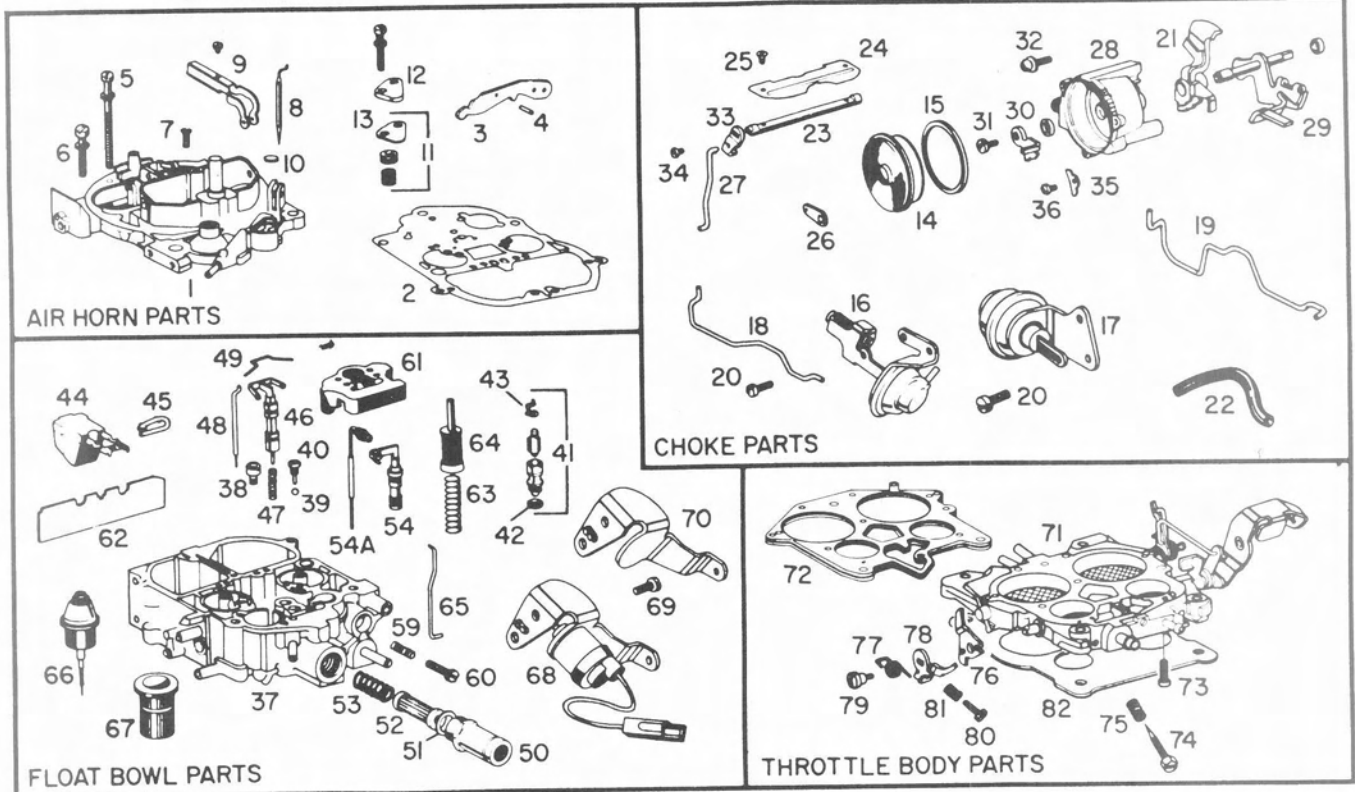


Delco Carburetor

MODEL M4MC QUADRAJET
1979 PONTIAC CATALINA, BONNEVILLE, FIREBIRD
350-403 CUBIC INCH ENGINE

BULLETIN: 9C-6135
DATE: APRIL 1979
PAGE: 1

A-LeMans, Grand Am; ASP-Grand Prix; B-Catalina, Bonneville; F-Firebird, HPS-Sunbird; X-Phoenix



PARTS SHOWN ARE FOR IDENTIFICATION ONLY. CONSULT PARTS LIST FOR CORRECT PART NAME AND NUMBER

PARTS IN ALL COLUMNS SAME — EXCEPT WHERE INDICATED

	FEDERAL 403 CU. IN. F NON A/C AUTO. TRANS.	FEDERAL 403 CU. IN. F AIR COND. AUTO. TRANS.	ALTITUDE 350 CU. IN. B 403 CU. IN. B-WAG., F A/C NON A/C AUTO. TRANS.	CALIFORNIA 350 CU. IN. B 403 CU. IN. B-WAG., F A/C NON A/C AUTO. TRANS.	APPLICATION
	17059250	17059253	17059258	17059553	CARBURETOR No.
	24-5035	24-5035	24-5037	24-5040	REPLACEMENT PKG. No.
	17065604	17065604	17065607	17065612	OVERHAUL KIT
	9380				POWER CARB. KIT
	40-493				GASKET SET

Illus. No.	AIR HORN PARTS				
1	17065496				Air Horn Assembly
2	17056357				Gasket—Air Horn
3	7048169				Lever—Pump Actuating
4	9428787				Roll Pin—Pmp. & Lckt. Lvr. Hng.
5	7029912				Screw—Air Horn
6	7014699				Screw—Air Horn
7	7031105				Screw—Air Horn
8	7045984				Metering Rod—Secondary
9	7034522				Sec. Mtrng. Rod Holder Kit
-	7035344				Air Vlv. Spring & Cam Kit
10	-				Plug—Idle Vent
11	-				Idle—Vent Valve Kit
12	-				Cover—Idle Vent
13	-				Gasket—Idle Vent Cover
	CHOKE PARTS				
14	17054309				Stat Cvr., Coil & Gasket Assy.
15	17050961				Gasket—Start Cover
16	7044435				Vac. Brk. Control & Brkt. Assy.
17	7044433	7044433	17056548	17056548	Aux.—Vac. Brk. Con., Brkt. Assy.

	17059250	17059253	17059258	17059553	CARBURETOR No.
Illus. No.	CHOKE PARTS (Continued)				
18	7041527				Rod—Vac. Break
19	7043466				Link—Aux. Vac. Break
—	7043682				Screw—Aux. Vac. Brk. Mnting.
20	17050732				Screw—Control Attaching
21	17056631	17056631	17056632	17056632	Cam—Fast Idle
22	7026339				Hose—Vacuum
23	7038259				Choke Shaft
24	7048904				Choke Valve
25	7029866				Screw—Choke Valve
26	7031231				Lever—Intermediate Choke
27	7041472				Rod—Choke
28	17055623	17055623	17055623	17055613	Choke Housing Kit
29	17050754				Inter. Chk. Shaft & Lvr. Assy.
—	7037569				Seal—Inter. Choke Shaft
—	7043367				Seal—Choke Hsg. to Bowl
30	7043368				Lever—Stat Coil
31	7019709				Screw—Coil Lever
32	7038808				Screw—Choke Hsg. to Bowl
33	7041542				Lever—Choke
34	7029866				Screw—Choke Lever
35	7000614				Retainer—Stat Cover
36	7011270				Screw—Stat Cover
	FLOAT BOWL PARTS				
37	17065498	17065498	17065602	17065734	Float Bowl Assembly
38	7031973	7031973	7031968	7031974	Jet—Primary
39	7002117				Ball—Pump Discharge
40	7029849				Retainer—Pump Disch. Ball
41	30-134				Needle & Seat Assy.
42	KIT ONLY				Gasket—Needle Seat
43	7033751				Pull Clip—Float Needle
44	7046300				Float Assembly
45	7041469				Hinge Pin—Float Assy.
46	7044449				Power Piston Assembly
47	17051705				Spring—Pwr. Piston—Primary
—	—				Spring—Pwr. Piston—Aux.
48	17057755	17057755	17057748	17056952	Metering Rod—Primary
49	7041459				Spring—Mtring. Rod—Primary
50	17059861				Filter Nut—Fuel Inlet
51	7024281				Gasket—Filter Nut
52	GF-471				Filter—Fuel Inlet
53	7032732				Spring Fuel Filter
54	—				Aux. Power Piston Assy.
—	7041473				Lever—Secondary Lockout
55	—				Idle Compensator Assy.
56	—				Gasket—Idle Compensator
57	—				Cover—Idle Compensator
58	—				Screw—Cover Attaching
59	7003176				Spring—Idle Stop Screw
60	7002121				Screw—Idle Stop
61	7041471				Insert—Float Bowl
62	7031365				Baffle—Float Bowl
63	7042979				Spring Pump Return
64	17053072				Pump Assembly
65	7026138				Rod—Pump
66	—				A.P.T. Rod Assembly
67	7044330				Aneroid Insert
68	NONE	7043619	7043619	7043619	Solenoid & Bracket Assy.
69	7043682				Screw—Bracket Attaching
70	7043617	NONE	NONE	NONE	Bracket—Thr. Return Spring
	THROTTLE BODY PARTS				
71	17062420	17062420	17061261	17061258	Throttle Body Assembly
72	KIT ONLY				Gasket—Throttle Body
73	7035790				Screw—Throttle Body
74	17062905				Idle Needle & Spring Assy.
75	—				Spring—Idle Needle
76	7041497				Lever—Cam Follower
77	17051494				Spring—Cam Lever
78	7041498				Fast Idle Lever
79	7036079				Screw—Fast Idle Lever
80	7044794				Screw—Fast Idle Adjusting
81	7029900				Spring—Fast Idle Screw
82	419047				Gasket—Flange

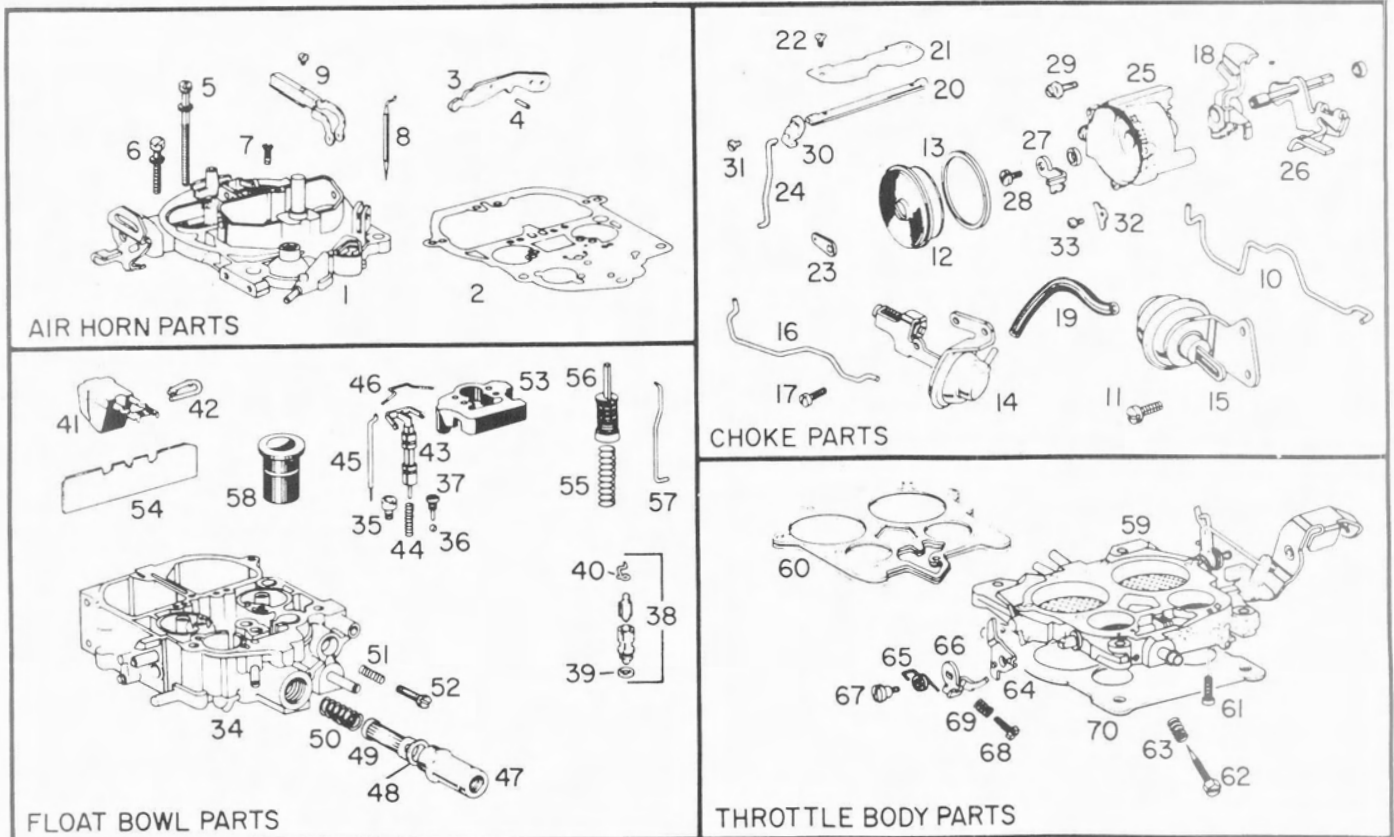


Delco Carburetor

MODEL M4MC QUADRAJET
1979 PONTIAC — FIREBIRD
400 CUBIC INCH ENGINE

BULLETIN: 9C-6136
DATE: APRIL 1979
PAGE: 1

A-LeMans, Grand Am, ASP-Grand Prix; B-Catalina, Bonneville; F-Firebird; HSP-Sunbird; X-Phoenix



PARTS SHOWN ARE FOR IDENTIFICATION ONLY. CONSULT PARTS LIST FOR CORRECT PART NAME AND NUMBER

PARTS IN ALL COLUMNS SAME — EXCEPT WHERE INDICATED

	FEDERAL F A/C NON A/C 4-SPEED MAN. TRANS.	APPLICATION
	17059263	CARBURETOR No.
	24-6081	REPLACEMENT PACKAGE No.
	17065624	OVERHAUL KIT
	9382	POWER CARBURETOR KIT
	40-495	GASKET SET
Illus. No.	AIR HORN PARTS	
1	17065721	Air Horn Assembly
2	17056357	Gasket—Air Horn
3	7048169	Lever—Pump Actuating
4	9428787	Roll Pin—Pump & Lockout Lever Hinge
5	7029912	Screw—Air Horn
6	7014699	Screw—Air Horn
7	7031105	Screw—Air Horn
8	7047806	Metering Rod—Secondary
9	7034522	Sec. Metering Rod Holder Kit
—	7035344	Air Valve Spring & Cam Kit
	CHOKE PARTS	
10	7043393	Link—Aux. Vacuum Break
11	7043682	Screw—Aux. Vacuum Break Mounting

	17059263	CARBURETOR No.
Illus. No.	CHOKE PARTS (Continued)	
12	17051956	Stat Cover, Coil & Gasket Assy.
13	17050961	Gasket—Stat Cover
14	17054572	Vacuum Break Control & Bracket Assy.
15	17053083	Aux. Vacuum Break Control & Bracket Assy.
16	7041527	Rod—Vacuum Break
17	17050732	Screw—Control Attaching
18	7041484	Cam—Fast Idle
19	7026339	Hose—Vacuum
20	7038259	Choke Shaft
21	7041558	Choke Valve
22	7029866	Screw—Choke Valve
23	7031231	Lever—Intermediate Choke
24	17062254	Rod—Choke
25	17051996	Choke Housing Kit
26	17050754	Inter. Choke Shaft & Lever Assy.
—	7037569	Seal—Inter. Choke Shaft
—	7043367	Seal—Choke Housing to Bowl
27	7043368	Lever—Stat Coil
28	7019709	Screw—Coil Lever
29	7038808	Screw—Choke Housing to Bowl
30	7041542	Lever—Choke
31	7029866	Screw—Choke Lever
32	7000614	Retainer—Stat Cover
33	7011270	Screw—Stat Cover
	FLOAT BOWL PARTS	
34	17065617	Float Bowl Assembly
35	7031970	Jet—Primary
36	7002117	Ball—Pump Discharge
37	7029849	Retainer—Pump Discharge Ball
38	30-148	Needle & Seat Assy.
39	KIT ONLY	Gasket—Needle Seat
40	7033751	Pull Clip—Float Needle
41	7044332	Float Assembly
42	7041469	Hinge Pin—Float Assembly
43	17051792	Power Piston Assembly Primary
44	7029529	Spring—Power Piston Primary
45	17051340	Metering Rod—Primary
46	7041459	Spring—Metering Rod—Primary
47	17059861	Filter Nut—Fuel Inlet
48	7024281	Gasket—Filter Nut
49	GF-471	Filter—Fuel Inlet
50	7032732	Spring—Fuel Filter
51	7003176	Spring—Idle Stop Screw
52	7002121	Screw—Idle Stop
53	7041471	Insert—Float Bowl
54	7031365	Baffle—Float Bowl
55	7042979	Spring—Pump Return
56	7048871	Pump Assembly
57	7026138	Rod—Pump
58	17051796	Insert—Aneroid & Cavity
—	7041473	Lever—Secondary Lockout
	THROTTLE BODY PARTS	
59	17062033	Throttle Body Assembly
60	KIT ONLY	Gasket—Throttle Body
61	7035790	Screw—Throttle Body
62	17062905	Idle Needle & Spring Assembly
63	—	Spring—Idle Needle
64	7041497	Lever—Cam Follower
65	17051494	Spring—Cam Lever
66	7041498	Fast Idle Lever
67	7036079	Screw—Fast Idle Lever Attaching
68	7044794	Screw—Fast Idle Adjusting
69	7029900	Spring—Fast Idle Screw
70	498796	Gasket—Flange



Delco Carburetor

MODEL 2SE-VARAJET II

1980 PONTIAC PHOENIX

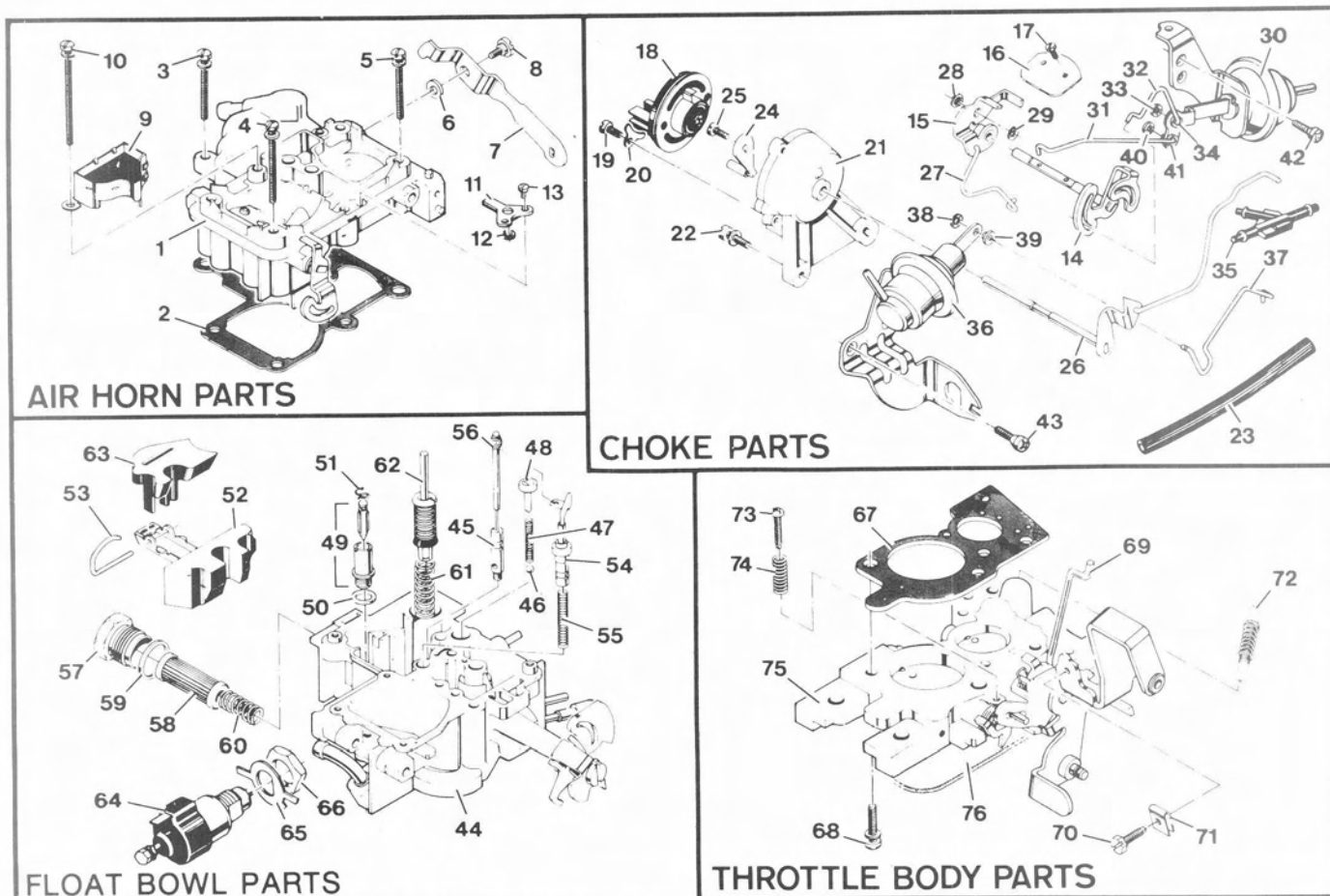
151 CUBIC INCH ENGINE (TRANSVERSE)

BULLETIN: 9C-6137

DATE: APRIL 1979

PAGE: 1

A-LeMans, Grand Am; ASP-Grand Prix; B-Catalina, Bonneville; F-Firebird; HSP-Sunbird; X-Phoenix



PARTS SHOWN ARE FOR IDENTIFICATION ONLY. CONSULT PARTS LIST FOR CORRECT PART NAME AND NUMBER

PARTS IN ALL COLUMNS SAME — EXCEPT WHERE INDICATED

	FEDERAL X NON A/C AUTO. TRANS.	FEDERAL X NON A/C 4-SP. M/T	FEDERAL X AIR COND. AUTO. TRANS.	FEDERAL X AIR COND. 4-SP. M/T	APPLICATION
	17059614	17059615	17059616	17059617	CARBURETOR No.
	22-6091	22-6094	22-6092	22-6093	REPLACEMENT PKG. No.
	17065948	17065984	17065948	17065984	OVERHAUL KIT
	9387	9392	9387	9392	POWER CARBURETOR KIT
	40-498				GASKET KIT
Illus. No.	AIR HORN PARTS				
1	17065944	17065985	17065945	17065985	Air Horn Assembly
2	17058440				Gasket—Air Horn
3	7045442				Screw—Air Horn (Short) (3)
4	7045444				Screw—Air Horn (3)
5	—				Screw—Air Horn (1)
6	17058548				Washer—Pump Lever
7	17057549				Pump Lever
8	7045437				Screw—Pump Lever
9	17057496				Vent Stack Assembly
10	17061983				Screw—Vent Stack Attaching
11	NONE	NONE	17061454	NONE	Idle Compensator Assembly
12	NONE	NONE	7027970	NONE	Gasket—Idle Compensator
13	NONE	NONE	17057179	NONE	Screw—Idle Compensator
—	KIT ONLY				Gasket—Air Cleaner

Illus. No.	17059614	17059615	17059616	17059617	CARBURETOR No.
	CHOKE PARTS				
14	7045494				Choke Shaft and Lever Assembly
15	17063830				Choke Lever and Bushing Assembly
16	7045276				Choke Valve
17	17059914				Screw—Choke Valve
18	17061959				Electric Stat Cover & Coil Assy.
19	17066027				Stat Cover and Retainer Kit
20	7000614				Retainer—Stat Cover
21	17057540				Choke Housing
22	7045458				Screw—Choke Housing to Thr. Body
23	17051190				Hose—Vacuum
24	17061882				Choke Lever & Contact Assy.
25	7045454				Screw—Choke Lever
26	7045451				Intermediate Choke Shaft & Lever
27	17062279				Link—Fast Idle Cam
28	7045462				Bushing—Link Inter. Choke Shaft and Lever
29	17058193				Retainer—Link Inter. Choke Shaft and Lever
30	17058485				Vacuum Brk. & Brkt. — Primary
31	17062125				Link—Air Valve
32	17062221				Link—Vacuum Brk. — Primary
33	17058193				Retainer—Link Vac. Brk. Primary
34	7045462				Bushing—Link Vac. Brk. Primary
35	—				Tee—Vacuum Hose
36	—				Vacuum Brk. & Brkt. — Secondary
37	—				Link—Vacuum Break — Secondary
38	—				Retainer—Link Vac. Brk. Secondary
39	—				Bushing — Link Vac. Brk. Secondary
40	17058193				Retainer—Link Air Valve
41	7045462				Bushing—Link Air Valve
42	7045470				Screw—Vac. Break Attach. (Top)
43	7045558				Screw—Vac. Break Attach. (Bottom)
44	17065946	17065946	17065946	17065992	Float Bowl Assembly
45	17062805	17062804	17062805	17062804	Jet—Primary Metering
46	7002117				Ball—Pump Discharge
47	7002118				Spring—Pump Discharge
48	7045351				Guide—Pump Discharge
49	35-143				Needle & Seat Assembly
50	KIT ONLY				Gasket—Needle Seat
51	7033751				Clip—Float Valve
52	17056073				Float Assembly
53	7045353				Hinge Pin—Float Assembly
54	7045359				Power Piston Assembly
55	7025907				Spring—Power Piston
56	17065947	17065947	17065983	17065983	Metering Rod and Spring Assy.
57	17061289				Filter Nut—Fuel Inlet
58	GF-470				Filter—Fuel Inlet
59	7024281				Gasket—Filter Nut
60	7032732				Spring—Fuel Filter
61	7042979				Spring—Pump Return
62	17061815	17061815	17063274	17063274	Pump Assembly
63	7045395				Insert—Float Bowl
64	17061814				Solenoid—Idle Stop
65	7045479				Washer—Tab Locking
66	9420169				Nut—Solenoid Retaining
67	KIT ONLY				Gasket—Throttle Body
68	17060653				Screw—Throttle Body (2)
69	17057557				Pump Rod
70	17057491				Screw—Cam
71	17057492				Clip—Cam Screw
72	17062905				Idle Needle & Spring Assembly
73	17057276				Screw—Throttle Stop
74	7011479				Spring—Throttle Stop Screw
75	17063071	17063071	17063283	17063283	Throttle Body Assembly
76	10010208				Gasket—Flange



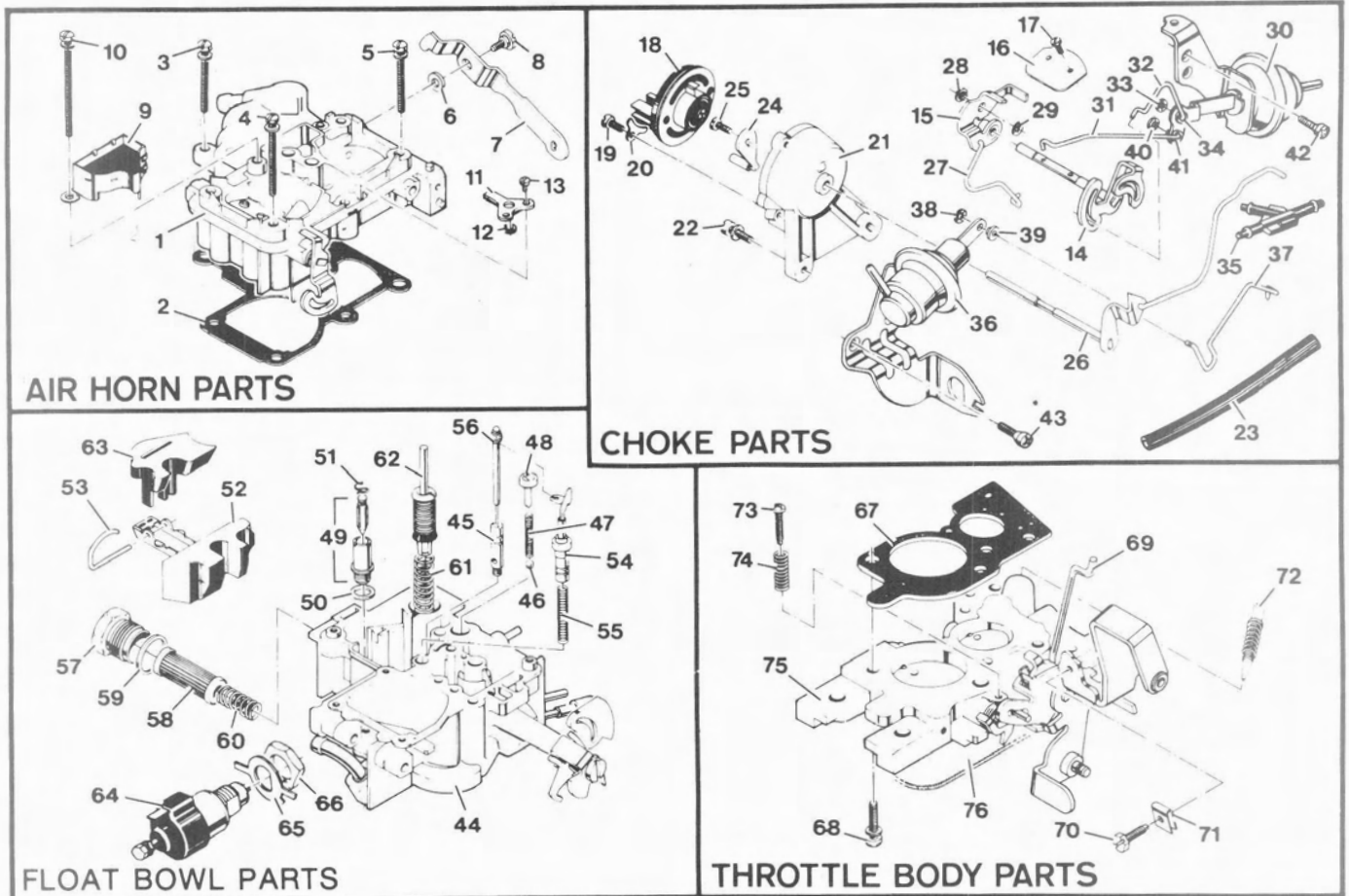
Delco Carburetor

BULLETIN: 9C-6138
DATE: APRIL 1979
PAGE: 1

MODEL 2SE-VARAJET II
1980 PONTIAC PHOENIX

171 CUBIC INCH ENGINE (TRANSVERSE)

A-LeMans, Grand Am; ASP-Grand Prix; B-Catalina, Bonneville; F-Firebird; HSP-Sunbird; X-Phoenix



PARTS SHOWN ARE FOR IDENTIFICATION ONLY. CONSULT PARTS LIST FOR CORRECT PART NAME AND NUMBER

PARTS IN ALL COLUMNS SAME — EXCEPT WHERE INDICATED

	FEDERAL X-BODY NON A/C AUTO. TRANS.	FEDERAL X-BODY NON A/C MAN. TRANS.	FEDERAL X-BODY AIR COND. AUTO. TRANS.	FEDERAL X-BODY AIR COND. MAN. TRANS.	APPLICATION
	17059650	17059651	17059652	17059653	CARBURETOR No.
	22-3240	22-3243	22-3241	22-3243	REPLACEMENT PKG. No.
	17066021	17066028	17066021	17066028	OVERHAUL KIT
	9395				POWER CARBURETOR KIT
	40-501				GASKET KIT
Illus. No.	AIR HORN PARTS				
1	17066017	17066045	17066017	17066045	Air Horn Assembly
2	17061675				Gasket—Air Horn
3	7045442				Screw—Air Horn (Short) (3)
4	7045444				Screw—Air Horn (3)
5	17060710				Screw—Air Horn (1)
6	17058548				Washer—Pump Lever
7	17058598				Pump Lever
8	7045437				Screw—Pump Lever
9	17057496				Vent Stack Assembly
10	17061983				Screw—Vent Stack Attaching
11	—				Idle Compensator Assembly
12	—				Gasket—Idle Compensator
13	—				Screw—Idle Compensator
—	KIT ONLY				Gasket—Air Cleaner

	17059650	17059651	17059652	17059653	CARBURETOR No.
Illus. No.	CHOKE PARTS				
14	7045256				Choke Shaft and Lever Assembly
15	17062205				Choke Lever and Bushing Assembly
16	7045276				Choke Valve
17	17059914				Screw—Choke Valve
18	17063239	17062601	17063239	17062601	Electric Stat Cover & Coil Assy.
19	17066027				Stat Cover Retainer Kit
20	7000614				Retainer—Stat Cover
21	17057540				Choke Housing
22	7045458				Screw—Choke Housing to Thr. Body
23	17051190				Hose Vacuum
24	17061882				Choke Lever & Contact Assy.
25	7045454				Screw—Choke Lever
26	17060997				Intermediate Choke Shaft & Lever
27	17062207				Link—Fast Idle Cam
28	17063894				Bushing—Link Inter. Choke Shaft and Lever
29	17058193				Retainer—Link Inter. Choke Shaft and Lever
30	17062344	17062342	17062342	17062342	Vacuum Brk. & Brkt.—Primary
31	17062349				Link—Air Valve
32	17062350				Link—Vacuum Brk.—Primary
33	17058193				Retainer—Link Vac. Brk. Primary
34	17063894				Bushing—Link Vac. Brk. Primary
35	10003617				Tee—Vacuum Hose
36	17062339				Vacuum Brk. & Brkt.—Secondary
37	17063895				Link—Vacuum Break—Secondary
38	17058193				Retainer—Link Vac. Brk. Secondary
39	17063894				Bushing—Link Vac. Brk. Secondary
40	17058193				Retainer—Link Air Valve
41	17063894				Bushing—Link Air Valve
42	7045470				Screw—Vac. Break Primary
43	7045558				Screw—Vac. Break Secondary
	FLOAT BOWL PARTS				
44	17066018				Float Bowl Assembly
45	17062810	17062809	17062810	17062809	Jet—Primary Metering
46	7002117				Ball—Pump Discharge
47	7002118				Spring—Pump Discharge
48	7045351				Guide—Pump Discharge
49	35-156				Needle & Seat Assembly
50	KIT ONLY				Gasket—Needle Seat
51	7033751				Clip—Float Valve
52	17056073				Float Assembly
53	7045353				Hinge Pin—Float Assembly
54	7045359				Power Piston Assembly
55	7037851				Spring—Power Piston
56	17066019	17065947	17066019	17065947	Metering Rod and Spring Assy.
57	17060216				Filter Nut—Fuel Inlet
58	GF-471				Filter—Fuel Inlet (GF-471)
59	7024281				Gasket—Filter Nut
60	7032732				Spring—Fuel Filter
61	17060690				Spring—Pump Return
62	17061073				Pump Assembly
63	7045395				Insert—Float Bowl
64	NONE	17060708	17060708	17060708	Solenoid—Idle Stop
65	NONE	7045479	7045479	7045479	Washer—Tab Locking
66	NONE	9420169	9420169	9420169	Nut—Solenoid Retaining
	THROTTLE BODY PARTS				
67	KIT ONLY				Gasket—Throttle Body
68	17060653				Screw—Throttle Body
69	17057049				Pump Rod
70	17058191				Screw—Cam
71	17057492				Clip—Cam Screw
72	17062905				Idle Needle & Spring Assembly
73	17057276				Screw—Throttle Stop
74	7011479				Spring—Throttle Stop Screw
75	17062964	17062965	17062964	17062965	Throttle Body Assembly
76	14002056				Gasket—Flange



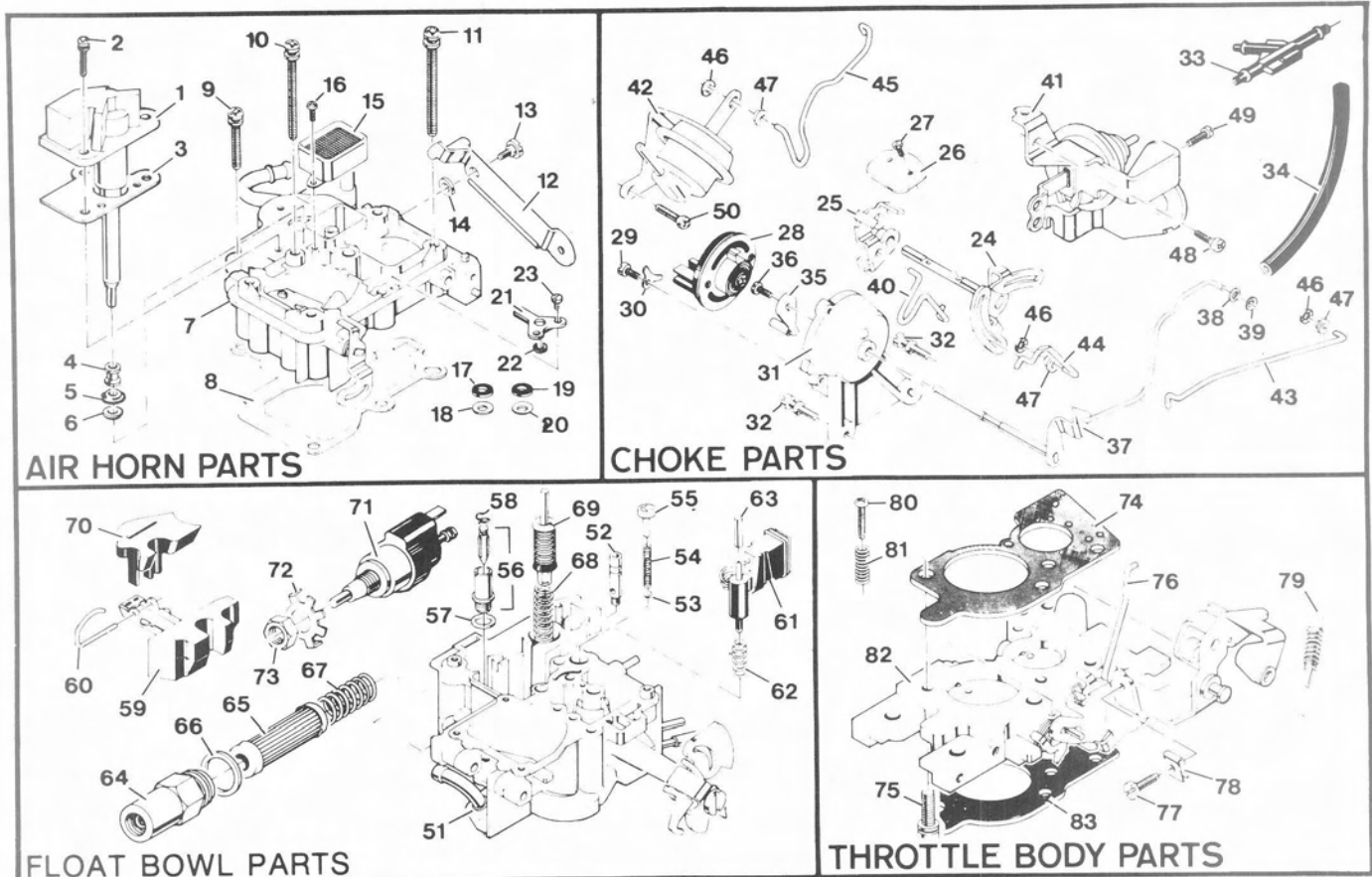
Delco Carburetor

BULLETIN: 9C-6139
 DATE: APRIL 1979
 PAGE: 1

MODEL E2SE-VARAJET II
 (C-4 SYSTEM)

1980 PONTIAC PHOENIX
 151 CUBIC INCH ENGINE (TRANSVERSE)

A-LeMans, Grand Am; ASP-Grand Prix; B-Catalina, Bonneville; F-Firebird; HSP-Sunbird; X-Phoenix



PARTS SHOWN ARE FOR IDENTIFICATION ONLY. CONSULT PARTS LIST FOR CORRECT PART NAME AND NUMBER

PARTS IN ALL COLUMNS SAME —EXCEPT WHERE INDICATED

	CALIF. X NON A/C AUTO. TRANS.	CALIF. X NON A/C MAN. TRANS.	CALIF. X AIR COND. AUTO. TRANS.	CALIF. X AIR COND. MAN. TRANS.	APPLICATION
	17059714	17059715	17059716	17059717	CARBURETOR No.
	22-6095	22-6098	22-6096	22-6097	REPLACEMENT PKG. No.
	17066001				OVERHAUL KIT
	9394				POWER CARBURETOR KIT
	40-500				GASKET KIT
Illus. No.	AIR HORN PARTS				
1	17062172				Mixture Control Solenoid
2	17062730				Screw—Solenoid Attaching (3)
3	17057511				Gasket—Air Horn to Solenoid
4	17057521				Adapter—Solenoid Seal
5	17057520				Seal—Solenoid to Float Bowl
6	17062173				Retainer—Solenoid Seal
7	17065997	17066057	17065998	17066078	Air Horn Assembly
8	17058441				Gasket—Air Horn
9	7045442				Screw—Air Horn (Short) (3)
10	7045444				Screw—Air Horn (3)
11	—				Screw & Washer Assy. — AH to Bowl (1)
12	17057549				Pump Lever
13	7045437				Screw—Pump Lever
14	17058548				Washer—Pump Lever

	17059714	17059715	17059716	17059717	CARBURETOR No.
Illus. No.	AIR HORN PARTS (Continued)				
15	17063314				Vent Stack Assembly
16	17057179				Screw—Vent Stack Att. (2)
—	KIT ONLY				Gasket—Air Cleaner
17	KIT ONLY				Seal—Pump Stem
18	KIT ONLY				Retainer—Seal
19	—				Seal—Throttle Sensor
20	—				Retainer Seal
21	NONE	NONE	17061454	NONE	Idle Compensator Assembly
22	NONE	NONE	7027970	NONE	Gasket—Idle Compensator
23	NONE	NONE	17057179	NONE	Screw—Idle Compensator
	CHOKE PARTS				
24	7045494				Choke Shaft and Lever Assembly
25	17063830				Choke Lever and Bushing Assembly
26	7045276				Choke Valve
27	17059914				Screw—Choke Valve (2)
28	17061959				Elec. Stat Cover & Coil
29	17066027				Stat Cover Retainer Kit
30	7000614				Retainer—Stat Cover
31	17057540				Choke Housing
32	7045458				Screw—Choke Housing (2)
33	—				Tee—Vacuum Hose—Pri. Side
34	17051190				Hose—Vacuum
35	17061882				Choke Lever & Contact Assy.
36	7045454				Screw—Choke Lever
37	7045451				Inter. Choke Shaft & Lever
38	7045462				Bushing—Inter. Choke Shaft & Lever
39	17058193				Retainer—Inter. Choke Shaft & Lever
40	17062279				Link—Fast Idle Cam
41	17058485				Vacuum Break & Bracket — Pri.
42	—				Vacuum Break & Bracket — Sec.
43	17062125				Link—Air Valve
44	17062221				Link—Vacuum Break — Pri.
45	—				Link—Vacuum Break — Sec.
46	17058193				Retainer—Vac. Break Link (2)
47	7045462				Bushing—Vac. Break Link (2)
48	7045470				Screw—Vac. Break Att.—Pri. (Top)
49	7045558				Screw—Vac. Break Att.—Pri. (Bottom)
—	—				Screw—Vac. Break Att.—Pri. (2)
50	—				Screw—Vac. Break Att.—Sec. (2)
	FLOAT BOWL PARTS				
51	17065999	17066014	17066053	17066014	Float Bowl Assembly
52	17063093				Jet—Primary Metering
53	7002117				Ball—Pump Discharge
54	7002118				Spring—Pump Discharge
55	7045351				Guide—Pump Discharge
56	35-143				Needle & Seat Assembly
57	KIT ONLY				Gasket—Needle Seat
58	7033751				Clip—Float Valve
59	17056073				Float Assembly
60	7045353				Hinge Pin—Float
61	—				Throttle Position Sensor
62	—				Spring—Throttle Position Sensor
63	—				Plunger—Throttle Position Sensor
64	17061289				Filter Nut—Fuel Inlet
65	GF-470				Filter—Fuel Inlet
66	7024281				Gasket—Filter Nut
67	7032732				Spring—Fuel Filter
68	7042979				Spring—Pump Return
69	17061815				Pump Assembly
70	7045395				Insert—Float Bowl
71	17061814				Solenoid—Idle Stop
72	7045479				Washer—Tab Locking
73	9420169				Nut—Solenoid Retaining
	THROTTLE BODY PARTS				
74	KIT ONLY				Gasket—Throttle Body
75	17060653				Screw—Throttle Body (4)
76	17057557				Pump Rod
77	17057491				Screw—Cam
78	17057492				Clip—Cam Screw
79	17062905				Idle Needle & Spring
80	17057276				Screw—Throttle Stop
81	7011479				Spring—Throttle Stop Screw
82	17063520	17063862	17063522	17063862	Throttle Body Assembly
83	10010208				Gasket Flange



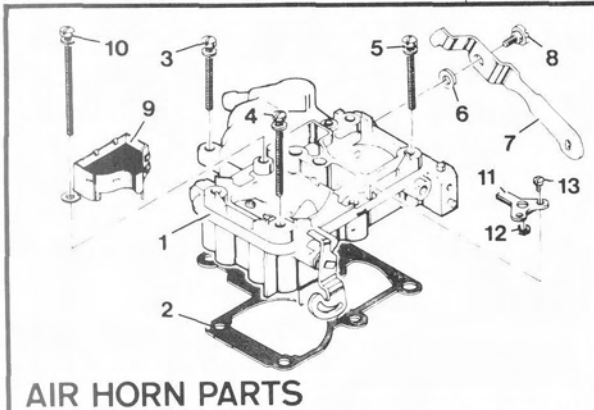
Delco Carburetor

MODEL 2SE-VARAJET II
1980 PONTIAC PHOENIX

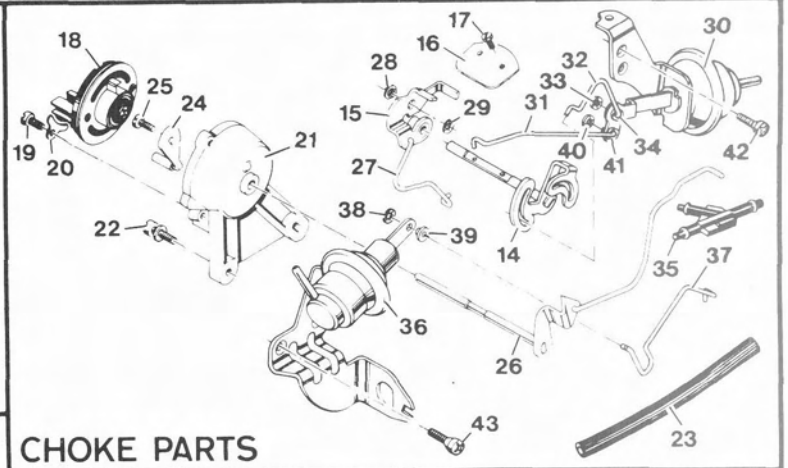
173 CUBIC INCH ENGINE (TRANSVERSE)

BULLETIN: 9C-6140
DATE: APRIL 1979
PAGE: 1

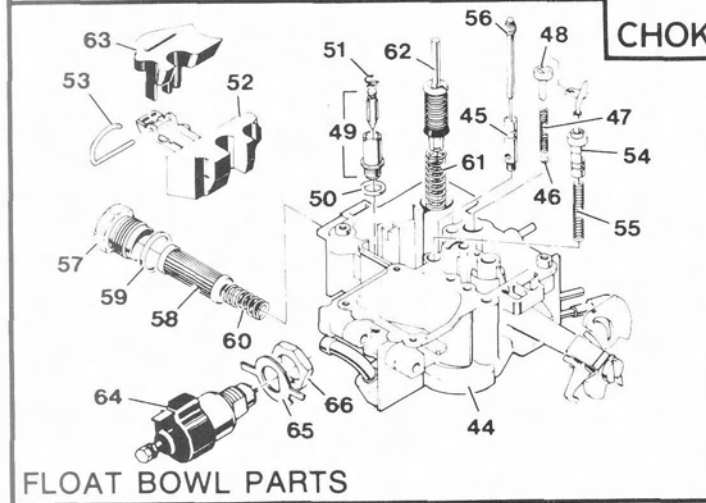
A-LeMans, Grand Am; ASP-Grand Prix; B-Catalina, Bonneville; F-Firebird; HSP-Sunbird; X-Phoenix



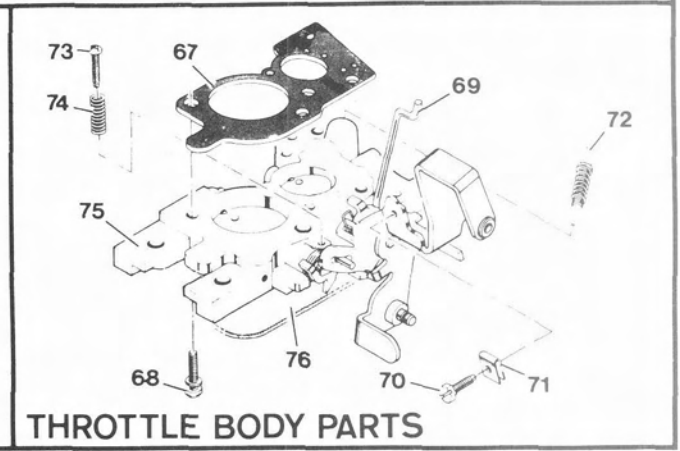
AIR HORN PARTS



CHOKE PARTS



FLOAT BOWL PARTS



THROTTLE BODY PARTS

PARTS SHOWN ARE FOR IDENTIFICATION ONLY. CONSULT PARTS LIST FOR CORRECT PART NAME AND NUMBER

PARTS IN ALL COLUMNS SAME — EXCEPT WHERE INDICATED

	ALTITUDE X NON AIR COND. AUTO. TRANS.	ALTITUDE X NON AIR COND. MAN. TRANS.	ALTITUDE X AIR COND. AUTO. TRANS.	ALTITUDE X AIR COND. MAN. TRANS.	APPLICATION
	17059750	17059751	17059752	17059753	CARBURETOR No.
	22-3244	22-3246	22-3245	22-3246	REPLACEMENT PKG. No.
	17066035				OVERHAUL KIT
	9395				POWER CARBURETOR KIT
	40-501				GASKET KIT
Illus. No.	AIR HORN PARTS				
1	17066033	17066040	17066033	17066040	Air Horn Assembly
2	17061675				Gasket—Air Horn
3	7045442				Screw—Air Horn (Short) (3)
4	7045444				Screw—Air Horn (3)
5	17060710				Screw—Air Horn (1)
6	17058548				Washer—Pump Lever
7	17058598				Pump Lever
8	7045437				Screw—Pump Lever
9	17057496				Vent Stack Assembly
10	17061983				Screw—Vent Stack Attaching
11	—				Idle Compensator Assembly
12	—				Gasket—Idle Compensator
13	—				Screw—Idle Compensator
—	KIT ONLY				Gasket—Air Cleaner

	17059750	17059751	17059752	17059753	CARBURETOR No.
Illus. No.	CHOKE PARTS				
14	7045256				Choke Shaft and Lever Assembly
15	17062205				Choke Lever and Bushing Assembly
16	7045276				Choke Valve
17	17059914				Screw—Choke Valve
18	17062601				Electric Stat Cover & Coil Assy.
19	17066027				Stat Cover and Retainer Kit
20	7000614				Retainer—Stat Cover
21	17057540				Choke Housing
22	7045458				Screw—Choke Housing to Thr. Body
23	17051190				Hose—Vacuum
24	17061882				Choke Lever & Contact Assy.
25	7045454				Screw—Choke Lever
26	17060997				Intermediate Choke Shaft & Lever
27	17062207				Link—Fast Idle Cam
28	17063894				Bushing—Link Inter. Choke Shaft and Lever
29	17058193				Retainer—Link Inter. Choke Shaft and Lever
30	17062344	17062342	17062342	17062342	Vacuum Brk. & Brkt. — Primary
31	17062349				Link—Air Valve
32	17062350				Link—Vacuum Brk. — Primary
33	17058193				Retainer—Link Vac. Brk. Primary
34	17063894				Bushing—Link Vac. Brk. Primary
35	—				Tee—Vacuum Hose
36	17062339				Vacuum Brk. & Brkt. — Secondary
37	17063895				Link—Vacuum Break — Secondary
38	17058193				Retainer—Link Vac. Brk. Secondary
39	17063894				Bushing — Link Vac. Brk. Secondary
40	17058193				Retainer—Link Air Valve
41	17063894				Bushing—Link Air Valve
42	7045470				Screw—Vac. Break Attach. Primary
43	7045558				Screw—Vac. Break Attach. Secondary
	FLOAT BOWL PARTS				
44	17066034				Float Bowl Assembly
45	17062809				Jet—Primary Metering
46	7002117				Ball—Pump Discharge
47	7002118				Spring—Pump Discharge
48	7045351				Guide—Pump Discharge
49	35-156				Needle and Seat Assembly
50	KIT ONLY				Gasket—Needle Seat
51	7033751				Clip—Float Valve
52	17056073				Float Assembly
53	7045353				Hinge Pin—Float Assembly
54	7045359				Power Piston Assembly
55	7041477				Spring—Power Piston
56	17066019				Metering Rod and Spring Assy.
57	17060216				Filter Nut—Fuel Inlet
58	GF-471				Filter—Fuel Inlet
59	7024281				Gasket—Filter Nut
60	7032732				Spring—Fuel Filter
61	17060690				Spring—Pump Return
62	17061073				Pump Assembly
63	7045395				Insert—Float Bowl
64	NONE	17060708	17060708	17060708	Solenoid—Idle Stop
65	NONE	7045479	7045479	7045479	Washer—Tab Locking
66	NONE	9420169	9420169	9420169	Nut—Solenoid Retaining
	THROTTLE BODY PARTS				
67	KIT ONLY				Gasket—Throttle Body
68	17060653				Screw—Throttle Body
69	17057049				Pump Rod
70	17058191				Screw—Cam
71	17057492				Clip Cam Screw
72	17062905				Idle Needle & Spring Assembly
73	17057276				Screw—Throttle Stop
74	7011479				Spring—Throttle Stop Screw
75	17062964	17062965	17062964	17062965	Throttle Body Assembly
76	14002056				Gasket—Flange



Delco Carburetor

MODEL E2SE-VARAJET II (C-4 SYSTEM)

1980 PONTIAC PHOENIX

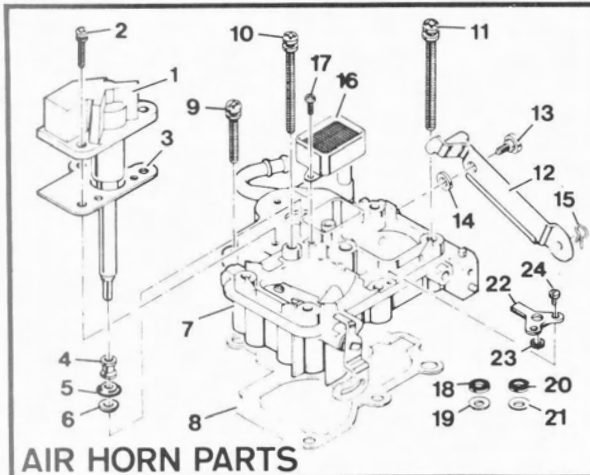
173 CUBIC INCH ENGINE (TRANSVERSE)

BULLETIN: 9C-6141

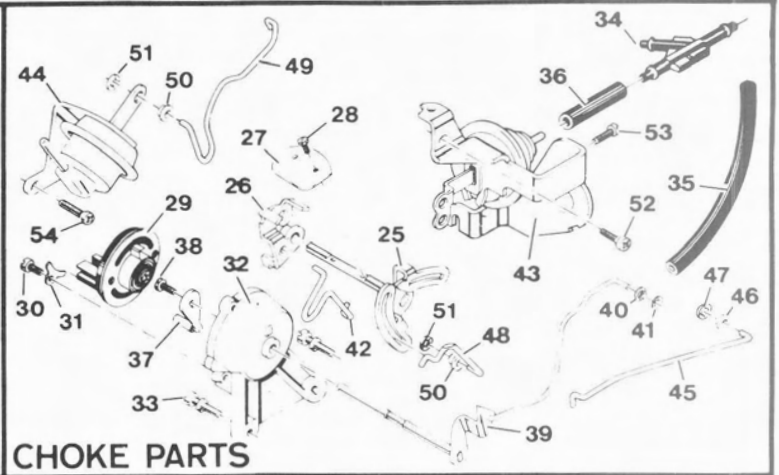
DATE: APRIL 1979

PAGE: 1

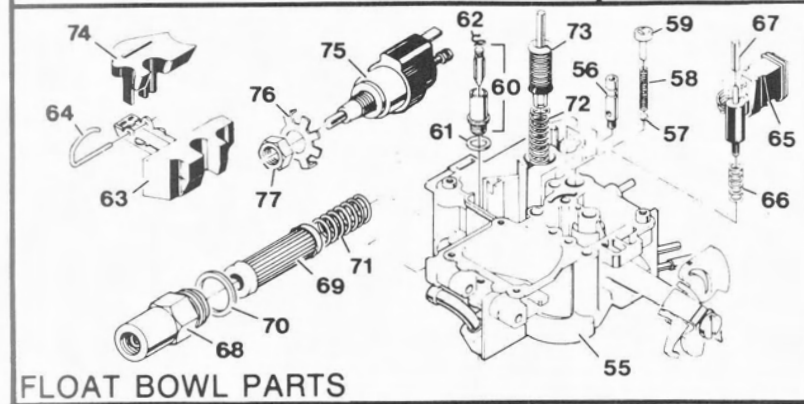
A-LeMans, Grand Am; ASP-Grand Prix; B-Catalina, Bonneville; F-Firebird; HSP-Sunbird; X-Phoenix



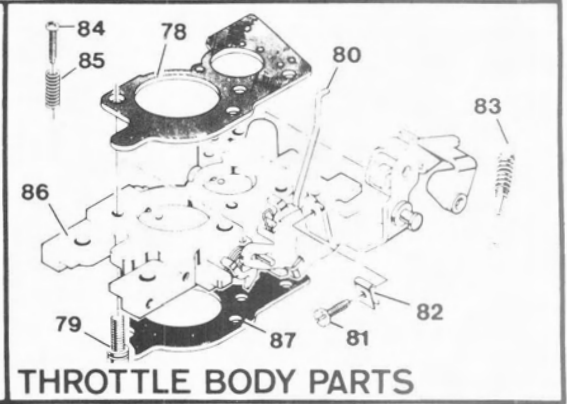
AIR HORN PARTS



CHOKE PARTS



FLOAT BOWL PARTS



THROTTLE BODY PARTS

PARTS SHOWN ARE FOR IDENTIFICATION ONLY. CONSULT PARTS LIST FOR CORRECT PART NAME AND NUMBER

PARTS IN ALL COLUMNS SAME — EXCEPT WHERE INDICATED

Illus. No.	CALIF. X NON A/C AUTO. TRANS.	CALIF. X AIR COND. AUTO. TRANS.	CALIF. X A/C NON A/C MAN. TRANS.	APPLICATION
		17059760	17059762	17059763
	22-6099	22-6100	22-6101	REPLACEMENT PKG. No.
	17066047			OVERHAUL KIT
	9396			POWER CARBURETOR KIT
	40-502			GASKET SET
	AIR HORN PARTS			
1	17062172			Mixture Control Solenoid
2	17062730			Screw—Solenoid Attaching (3)
3	17057511			Gasket—Air Horn to Solenoid
4	17057521			Adapter—Solenoid Seal
5	17057520			Seal—Solenoid to Float Bowl
6	17062173			Retainer—Solenoid Seal
7	17066046			Air Horn Assembly
8	17062383			Gasket—Air Horn
9	7045442			Screw—Air Horn (Short) (3)
10	7045444			Screw—Air Horn (3)
11	17060710			Screw and Washer Assy. — AH to Bowl
12	17058599			Pump Lever
13	7045437			Screw—Pump Lever
14	17058548			Washer—Pump Lever
15	7018186			Retainer—Pump Lever
16	17063314			Vent Stack Assembly

	17059760	17059762	17059763	CARBURETOR No.
Illus. No.	AIR HORN PARTS (Cont'd)			
17	17057179			Screw—Vent Stack Att. (2)
—	KIT ONLY			Gasket—Air Cleaner
18	KIT ONLY			Seal—Pump stem
19	KIT ONLY			Retainer—Seal
20	KIT ONLY			Seal—Throttle Sensor
21	KIT ONLY			Retainer—Seal
22	—			Idle Compensator Assembly
23	—			Gasket—Idle Compensator
24	—			Screw—Idle Compensator
	CHOKE PARTS			
25	7045256			Choke Shaft & Lever Assy.
26	17062205			Choke Lever & Bushing Assy.
27	17057199			Choke Valve
28	17059914			Screw—Choke Valve (2)
29	17063239	17063239	17062597	Elect. Stat Cover & Coil
30	17066027			Stat Cover Retainer Kit
31	7000614			Retainer—Stat Cover
32	17057540			Choke Housing
33	7045458			Screw—Choke Housing (2)
34	10003617			Tee—Vacuum Hose — Pri. Side
35	17051190			Hose—Vacuum (Long)
36	17051190			Hose—Vacuum (Short)
37	17061882			Choke Lever & Contact Assy.
38	7045454			Screw—Choke Lever
39	17060997			Inter. Choke Shaft & Lever
40	7045462			Bushing—Inter. Choke Shaft & Lever
41	17058193			Retainer—Inter. Choke Shaft & Lever
42	17062207			Link—Fast Idle Cam
43	17062344	17062342	17062342	Vacuum Break & Bracket — Pri.
44	17062339			Vacuum Break & Bracket — Sec.
45	17062349			Link—Air Valve
46	17063894			Bushing—Link Air Valve
47	17058193			Retainer—Link Air Valve
48	17062350			Link—Vacuum Break — Pri.
49	17063895			Link—Vacuum Break — Sec.
50	17058193			Retainer—Vac. Break Link (2)
51	17063894			Bushing—Vac. Break Link (2)
52	—	7045470	7045470	Screw—Vac. Break Att.—Pri. (Top)
53	—	7045558	7045558	Screw—Vac. Break Att.—Pri. (Bottom)
—	7045470	—	—	Screw—Vac. Break Att.—Pri. (2)
54	7045470	—	7045470	Screw—Vac. Break Att.—Sec. (2)
	FLOAT BOWL PARTS			
55	17066054	17066054	17066056	Float Bowl Assembly
56	17063093			Jet—Primary Metering
57	7002117			Ball—Pump Discharge
58	7002118			Spring—Pump Discharge
59	7045351			Guide—Pump Discharge
60	35-156			Needle & Seat Assembly
61	KIT ONLY			Gasket—Needle Seat
62	7033751			Clip—Float Valve
63	17056073			Float Assembly
64	7045353			Hinge Pin—Float
65	17061989			Throttle Position Sensor
66	17058407			Spring—Throttle Position Sensor
67	17058153			Plunger—Throttle Position Sensor
68	17060216			Filter Nut—Fuel Inlet
69	GF-471			Filter—Fuel Inlet
70	7024281			Gasket—Filter Nut
71	7032732			Spring—Fuel Filter
72	17060690			Spring—Pump Return
73	17061595			Pump Assembly
74	7045395			Insert—Float Bowl
75	—	17060708	17060708	Solenoid—Idle Stop
76	—	7045479	7045479	Washer—Tab Locking
77	—	9420169	9420169	Nut—Solenoid Retaining
	THROTTLE BODY PARTS			
78	KIT ONLY			Gasket—Throttle Body
79	17060653			Screw—Throttle Body (4)
80	17058243			Pump—Rod
81	17057491			Screw Cam
82	17057492			Clip—Cam Screw
83	17062905			Idle Needle & Spring
84	17057276			Screw—Throttle Stop
85	7011479			Spring—Throttle Stop Screw
86	17063280	17063280	17063281	Throttle Body Assembly
87	10010208			Gasket—Flange

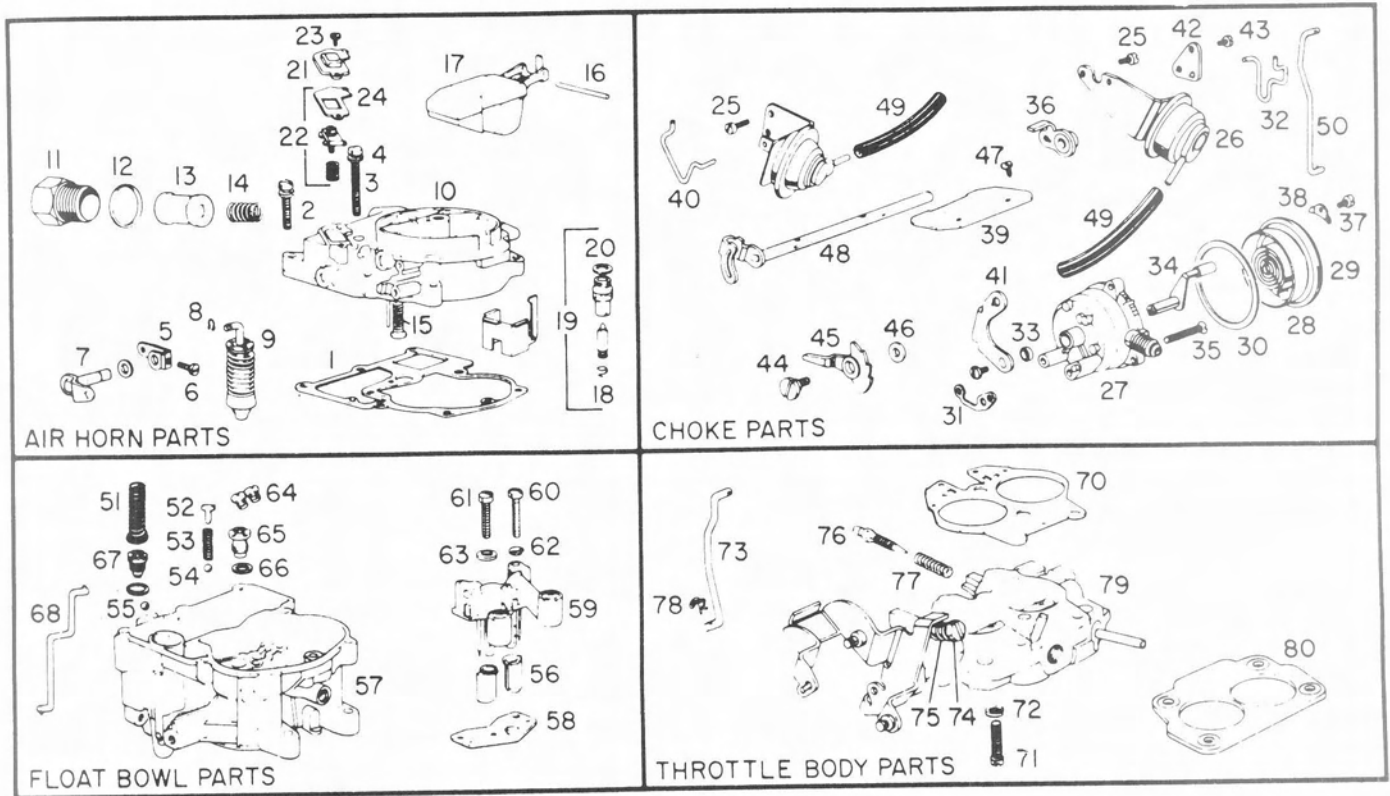


Delco Carburetor

**MODEL 2GC CARBURETORS
1976 PONTIAC VENTURA
350 CUBIC INCH ENGINE**

**BULLETIN 9C-6142
DATE: SEPTEMBER 1979
PAGE 1**

A-LeMans, Grand Am; ASP-Grand Prix; B-Catalina, Bonneville; F-Firebird; HSP-Sunbird; X-Phoenix Ventura



PARTS SHOWN ARE FOR IDENTIFICATION ONLY. CONSULT PARTS LIST FOR CORRECT PART NAME AND NUMBER

PARTS IN ALL COLUMNS SAME — EXCEPT WHERE INDICATED

	X 1976 350 CU. IN. AUTO. TRANS. FEDERAL	APPLICATION
	17057384	CARBURETOR No.
	22-192	REPLACEMENT PKG. No.
	17055174	OVERHAUL KIT
	9286	POWER CARB. KIT (NEO-tip)
	40-439	GASKET SET
Illus. No.	AIR HORN PARTS	
1	17050409	Gasket—Air Horn
2	7010432	Screw—Air Horn—Long
3	7006119	Screw—Air Horn—Short
4	—	Lockwasher—Air Horn Screw
5	7032377	Pump Lever—Inside
6	7011270	Screw—Pump Lever
7	17052510	Pump Shaft & Lever Kit
—	7019568	Washer—Pump Shaft
8	—	Clip—Pump
9	17052368	Pump Assembly
10	17065263	Air Horn Assembly
11	17051765	Filter Nut—Fuel Inlet
12	7032508	Gasket—Filter Nut
13	GF-470	Filter—Fuel Inlet
14	7032732	Spring—Fuel Inlet Filter
15	7035603	Power Piston Assembly
16	7002081	Pin—Float Hinge
17	7037512	Float Assembly
—	KIT ONLY	*Gasket—Air Cleaner

	17057384	CARBURETOR No.
Illus. No.	AIR HORN PARTS (Continued)	
18	—	Pull Clip—Float Needle
19	7035141	Needle & Seat Assy. (Neo-tiP)
20	KIT ONLY	Gasket—Needle Seat
21	17050272	Cover—Idle Vent
22	NONE	Idle Vent Valve Kit
23	7015127	Screw—Idle Vent Valve Cover (2)
24	17053051	Gasket—Idle Vent
	CHOKE PARTS	
25	7037570	Screw—Control Attaching
26	7043585	Main Vacuum Break & Bracket Assy.
—	7043626	Auxiliary Vacuum Break Control Assy.
27	17052406	Choke Housing
28	—	Baffle Plate
29	17052512	Stat Cover, Coil & Gasket Assy.
30	17050961	Gasket—Stat Cover
31	7037796	Gasket—Choke Housing
32	7038874	Link—Vacuum Break
33	7037569	Dust Seal—Inter. Choke Shaft
34	7037227	Intermediate Choke Shaft Assy.
35	7013704	Screw—Choke Housing
36	7030796	Lever—Choke Shaft
37	7011270	Screw—Stat Cover
38	7000614	Retainer—Stat Cover
39	7033443	Valve—Choke
40	7043157	Link—Auxiliary Vacuum Break
41	7030990	Inter. Choke Lever
42	7047882	Lever—Choke
43	7019709	Screw—Choke Levers
44	7036222	Screw—Cam Attaching
45	17052310	Cam—Fast Idle
46	—	Washer—Cam
47	7007627	Screw—Choke Valve
48	17050404	Choke Shaft
49	7026339	Hose—Vacuum
50	7043278	Rod—Intermediate Choke
	FLOAT BOWL PARTS	
51	17050241	Spring—Pump Return
52	KIT ONLY	Guide—Pump Discharge
53	7002118	Spring—Pump Discharge
54	7002117	Ball—Pump Discharge
55	17050240	Ball—Pump Inlet Check
56	7037286	Insert—Main Well
57	17052513	Float Bowl Assembly
58	KIT ONLY	Gasket—Venturi Cluster
59	17056607	Venturi Cluster Assembly
60	7045762	Screw—Cluster—Outer
61	7009077	Screw—Cluster—Center
62	—	Lockwasher—Outer Screw
63	KIT ONLY	Gasket—Center Screw
64	7002659	Jet—Standard
65	17053646	Power Valve Assembly
66	KIT ONLY	Gasket—Power Valve
67	17051199	Valve—Aux. Power
68	7043001	Rod—Aux. Choke
69	—	Solenoid—Idle Stop
—	—	Screw—Solenoid Bracket
—	—	Nut—Solenoid Retaining
—	—	Washer Tab Locking
—	—	Bracket & Washer Assy. Solenoid
	THROTTLE BODY PARTS	
70	KIT ONLY	Gasket—Throttle Body
71	7015105	Screw—Throttle Body
72	1248833	*Shield Flange
73	7038799	Rod—Pump
74	7029427	Idle Speed Screw
75	7029428	Spring—Idle Speed Screw
76	17050301	Idle Needle
77	7011479	Spring—Idle Needle
78	7018186	Clip—Pump Rod
79	17053918	Throttle Body Assembly
80	1248832	Flange Gasket

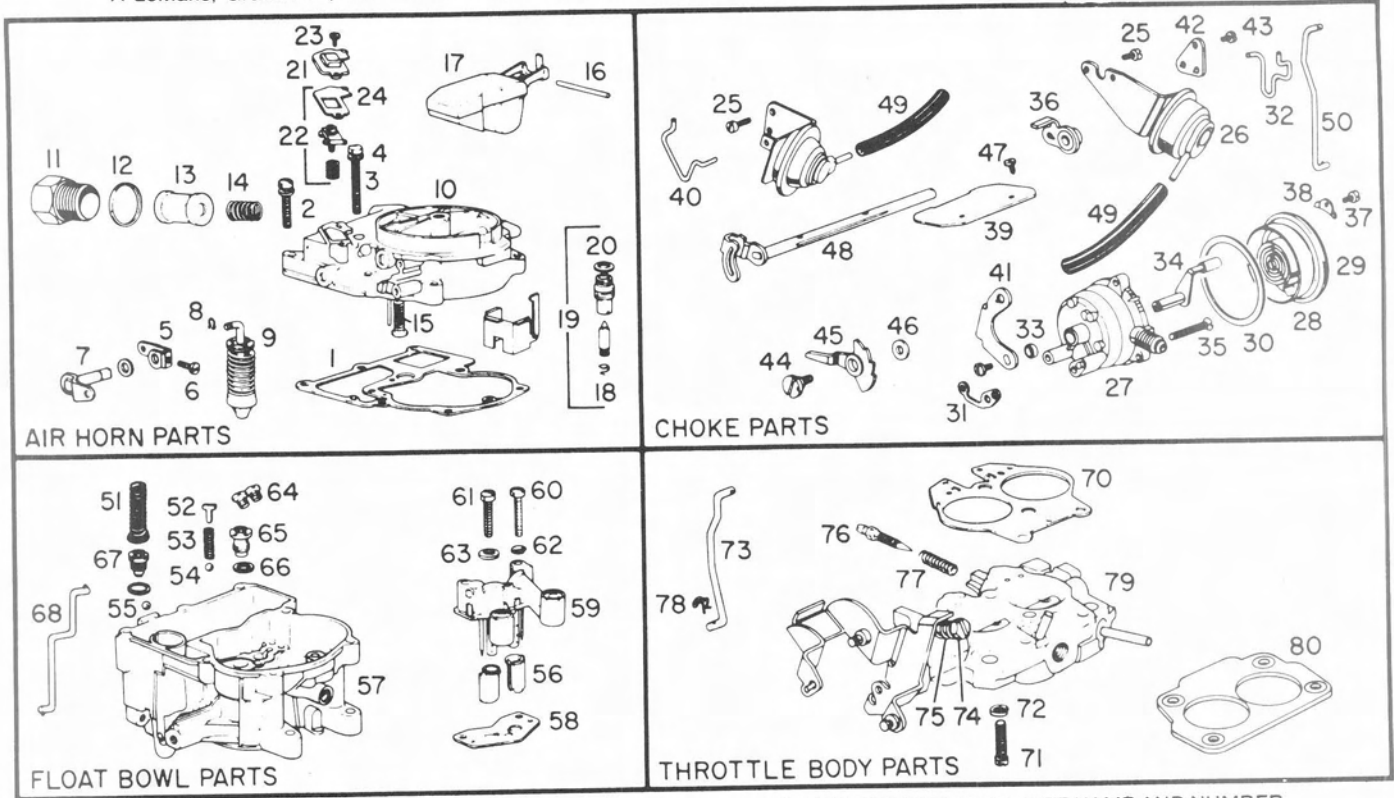


Delco Carburetor

**MODEL 2GV-2GC CARBURETORS
1976 PONTIAC SUNBIRD
231 CUBIC INCH ENGINE**

**BULLETIN 9C-6143
DATE: SEPTEMBER 1979
PAGE 1**

A-LeMans, Grand Am; ASP-Grand Prix; B-Catalina, Bonneville; F-Firebird; HSP-Sunbird; X-Phoenix



PARTS SHOWN ARE FOR IDENTIFICATION ONLY. CONSULT PARTS LIST FOR CORRECT PART NAME AND NUMBER

PARTS IN ALL COLUMNS SAME — EXCEPT WHERE INDICATED

	HSP 1976 2GC 231 CU. IN. ALL TRANS.	HSP 1976 2GC 231 CU. IN. AUTO. TRANS.	APPLICATION
	17054652	17057354	CARBURETOR No.
	22-184	22-1220	REPLACEMENT PACKAGE No.
	17053817	17053817	OVERHAUL KIT
	9307	9307	POWER CARB. KIT (NEO-tiP)
	40-439	40-439	GASKET SET
Illus. No.	AIR HORN PARTS		
1	17050409	17050409	Gasket—Air Horn
2	7010432		Screw—Air Horn—Long
3	7006119		Screw—Air Horn—Short
4	—		Lockwasher—Air Horn Screw
5	7032377	7032377	Pump Lever—Inside
6	7011270		Screw—Pump Lever
7	17053815	17052510	Pump Shaft & Lever Kit
—	7019568		Washer—Pump Shaft
8	—		Clip—Pump
9	17052368	17052368	Pump Assembly
10	17052862	17052862	Air Horn Assembly
11	7040955		Filter Nut—Fuel Inlet
12	7032508		Gasket—Filter Nut
13	GF-470	GF-470	Filter—Fuel Inlet
14	7034356		Spring—Fuel Inlet Filter
15	7006011	7009054	Power Piston Assembly
16	7002081	7002081	Pin—Float Hinge
17	7037512		Float Assembly
18	—		Pull Clip—Float Needle
19	7035152	7035152	Needle & Seat Assy. (Neo-tiP)
20	KIT ONLY		Gasket—Needle Seat
21	17050272	17050272	Cover—Idle Vent
—	KIT ONLY	KIT ONLY	Gasket Air Cleaner

	17054652	17057354	CARBURETOR No.
Illus. No.			AIR HORN PARTS (Continued)
22	—		Idle Vent Valve Kit
23	7015127	7015127	Screw—Idle Vent Cover (2)
24	17053051	17053051	Gasket—Cover
			CHOKE PARTS
25	7037570		Screw—Contra Attaching
26	7043585	7043585	Vac. Brk. Cont. & Brkt. Assy. Thr. Side
—	7049893	7049893	Aux. Vac. Brk. Control Assy. Choke Side
27	17052119	17052119	Choke Housing
28	NONE	NONE	Vac. Break Control—Brkt. Assy Choke Side
29	17052512	17052512	Stat Cover, Coil & Gasket Assy.
30	17050961	17050961	Gasket—Stat Cover
31	7037796	7037796	Gasket—Choke Housing
32	7038874		Link—Vacuum Break
33	7037569	7037569	Dust Seal—Intermediate Choke Shaft
34	7037227	7037227	Intermediate Choke Shaft Assy.
35	7013704	7013704	Screw—Choke Housing
36	7030796	7030796	Lever—Choke Shaft
37	7011270	7011270	Screw—Stat Cover
38	7000614	7000614	Retainer—Stat Cover
39	7033443		Valve—Choke
40	7043157	7043157	Link—Auxillary Vacuum Break
41	7030990	7030990	Intermediate Choke Lever
42	7047882		Lever—Choke
43	7019709		Screw—Choke Levers
44	7036222		Screw—Cam Attaching
45	17051489	17053760	Cam—Fast Idle
46	—		Washer—Cam
47	7007627		Screw—Choke Valve
48	17050404	17050404	Shaft—Choke
49	7026339		Hose—Vacuum
50	7043278	7043278	Rod—Intermediate Choke
			FLOAT BOWL PARTS
51	17050241	17050241	Spring—Pump Return
52	KIT ONLY		Guide—Pump Discharge
53	7002118		Spring—Pump Discharge
54	7002117		Ball—Pump Discharge
55	17050240	17050240	Ball—Pump Inlet Check
56	7037286		Insert—Main Well
57	17053908	17053908	Float Bowl Assembly
58	KIT ONLY		Gasket—Venturi Cluster
59	17054164	17053736	Venturi Cluster Assembly
60	7045762		Screw—Cluster—Outer
61	7009077		Screw—Cluster—Center
62	—	NONE	Strainer—Pump Inlet
63	KIT ONLY		Gasket—Center Screw
64	7002651	7002651	Jet—Standard
65	17053647	17053647	Power Valve Assembly—Vacuum
66	KIT ONLY		Gasket—Power Valve
67	17051201	17051201	Aux. Power Valve—Mechanical
68	7043001	7043001	Rod—Auxillary Choke
69	17052388	17052388	Solenoid—Idle Stop
—	7043682	7043682	Screw—Solenoid Bracket
—	7042654	7042654	Nut—Solenoid & Retaining
—	7042653	7042653	Washer—Tab Locking
—	17050425	1705425	Bracket & Washer Assy. Solenoid
			THROTTLE BODY PARTS
70	KIT ONLY		Gasket—Throttle Body
71	701505		Screw—Throttle Body
72	—		Lockwasher—Throttle Body
73	7038799		Rod—Pump
74	7029427		Idle Speed Screw
75	7029428		Spring—Idle Speed Screw
76	17050301	17050301	Idle Needle
77	7011479		Spring—Idle Needle
78	7018186		Clip—Pump Rod
79	17053988	17053988	Throttle Body Assembly
80	1248832	1248832	Flange Gasket

N.S.S. = Not Serviced Separately

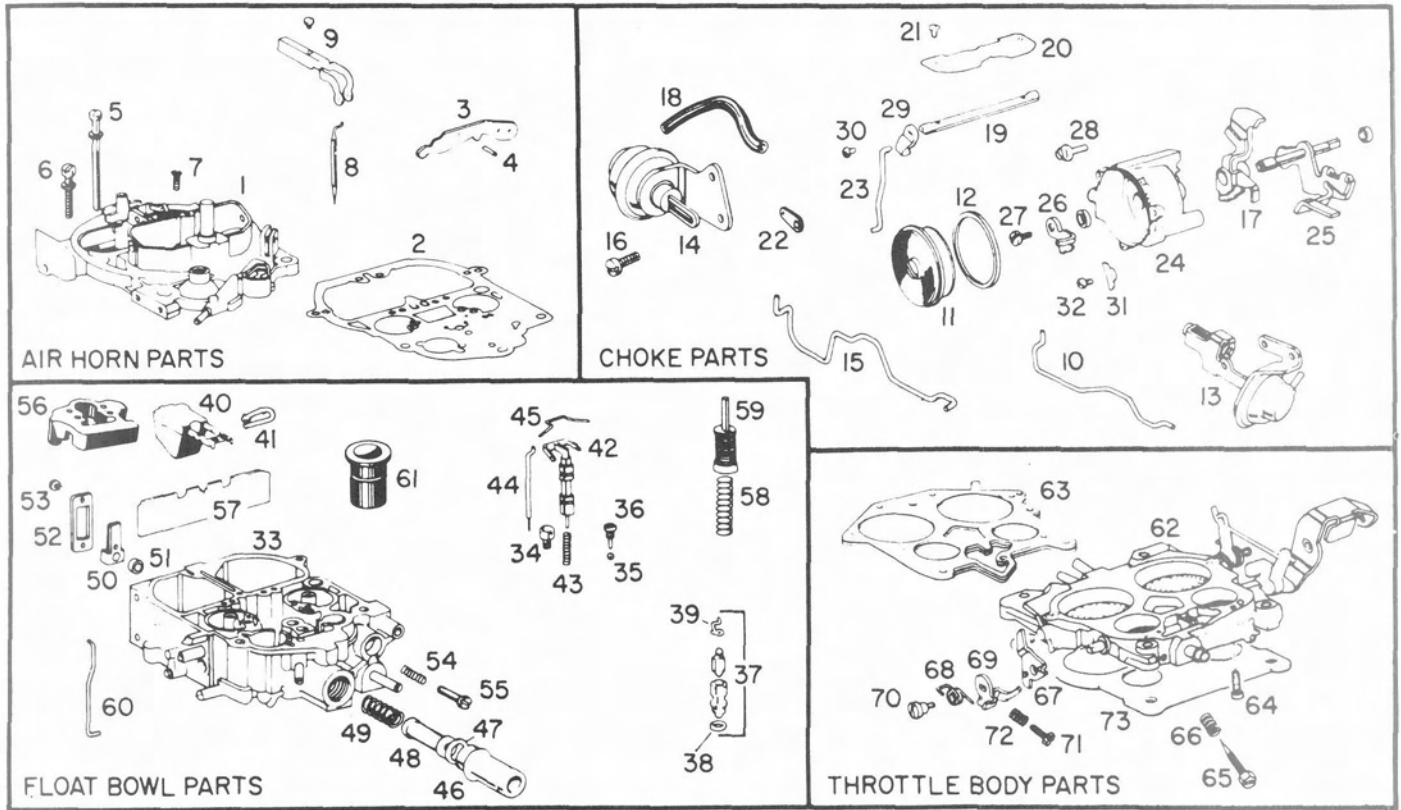


Delco Carburetor

BULLETIN: 9C-6144
 DATE: SEPTEMBER 1979
 PAGE 1

MODEL M4MC QUADRAJET 1976 PONTIAC VENTURA 350 CUBIC INCH ENGINE

A-LeMans, Grand Am; ASP-Grand Prix; B-Catalina, Bonneville; F-Firebird; HSP-Sunbird; X-Phoenix



PARTS SHOWN ARE FOR IDENTIFICATION ONLY. CONSULT PARTS LIST FOR CORRECT PART NAME AND NUMBER

PARTS IN ALL COLUMNS SAME — EXCEPT WHERE INDICATED

	X 1975-76 350-CU. IN. M4MC AUTO TRANS	X 1975-76 350-CU. IN. M4MC AUTO TRANS	APPLICATION
	17054903	17054904	CARBURETOR No.
	24-1211	24-1212	REPLACEMENT PACKAGE No.
	NSS	NSS	OVERHAUL KIT
	9288	9288	POWER CARBURETOR KIT
	40-481	40-481	GASKET SET
Illus. No.	AIR HORN PARTS		
1	NSS	NSS	Air Horn Assembly
2	17051797	17051797	Gasket—Air Horn
3	7048169	7048169	Lever—Pump Actuating
4	9428787	9428787	Roll Pin—Pump & Lockout Lever Hinge
5	7029912	7029912	Screw—Air Horn
6	7014699	7014699	Screw—Air Horn
7	7031105	7031105	Screw—Air Horn
8	7045986	7045986	Metering Rod—Secondary
9	7034522	7034522	Sec. Metering Rod Holder Kit
—	—	—	Lever—Air Valve Lockout
—	7035344	7035344	Air Valve Spring & Cam Kit
	CHOKE PARTS		
10	17050738	17050738	Link—Auxiliary Vacuum Break
11	17051964	17051964	Stat Cover, Coil & Gasket Assy.
12	17050961	17050961	Gasket—Stat Cover
13	17051261	17051261	Vacuum Break Control & Brkt. Assy.
14	17050742	17050742	Aux. Vac. Brk. Control & Brkt. Assy.
15	7041527	7041527	Rod—Vacuum
	NONE	NONE	Vacuum Break Control Assy.
	NONE	NONE	*Clip—Choke Rod
	7043682	7043682	Screw—Aux. Vac. Break

	17054903	17054904	CARBURETOR No.
		CHOKE PARTS (Continued)	
Illus. No.			
16	17050732	17050732	Screw—Control Attaching
17	17052371	17052371	Cam—Fast Idle
18	7026339	7026339	Hose—Vacuum
19	7038259	7038259	Shaft—Choke
20	7048904	7048904	Valve—Choke
21	7029866	7029866	Screw—Choke Valve
22	7031231	7031231	Lever—Intermediate Choke
23	7041472	7041472	Rod—Choke
24	17051971	17051970	Choke Housing Assembly
25	17050754	17050754	Inter. Choke Shaft & Lever Assy.
—	7037569	7037569	Seal—Inter. Choke Shaft
—	7043367	7043367	Seal—Choke Housing to Bowl
26	7043368	7043368	Lever—Stat Coil
27	7019709	7019709	Screw—Coil Lever
28	7038808	7038808	Screw—Housing to Bowl
29	7041542	7041542	Lever—Choke
30	7029866	7029866	Screw—Choke Lever
31	7000614	7000614	Retainer—Stat Cover
32	7011270	7011270	Screw—Stat Cover
		FLOAT BOWL PARTS	
33	NSS	NSS	Float Bowl Assembly
34	7031972	7031972	Jet—Primary
35	7002117	7002117	Ball—Pump Discharge
36	7029849	7029849	Retainer—Pump Discharge Ball
37	7035150	7035150	Needle & Seat Assy.
38	KIT ONLY	KIT ONLY	Gasket—Needle Seat
39	7033751	7033751	Pull Clip—Float Needle
40	7046300	7046300	Float Assembly
41	7041469	7041469	Hinge Pin—Float Assembly
42	17051792	17051792	Power Piston Assembly
43	7041477	7041477	Spring—Power Piston—Primary
44	7043543	17051346	Metering Rod—Primary
45	7041459	7041459	Spring—Metering Rod—Primary
46	7044951	7044951	Filter Nut—Fuel Inlet
47	7024281	7024281	Gasket—Filter Nut
48	GF-471	GF-471	Filter—Fuel Inlet
49	7034442	7034442	Spring Fuel Filter
50	—	—	Idle Compensator Assembly
51	—	—	Gasket—Idle Compensator
52	—	—	Cover—Idle Compensator
53	—	—	Screw—Cover Attaching
54	7003176	7003176	Spring—Idle Stop Screw
55	7002121	7002121	Screw—Idle Stop
56	7041471	7041471	Insert—Float Bowl
57	7031365	7031365	Baffle—Float Bowl
58	7042979	7042979	Spring—Pump Return
59	17051117	17051117	Pump Assembly
60	7026138	7026138	Rod—Pump
61	17051796	17051796	Insert—Aneroid Cavity
—	NONE	NONE	Spring—Power Piston—Secondary
—	7041473	7041473	Lever—Secondary Lockout
		THROTTLE BODY PARTS	
62	NSS	NSS	Throttle Body Assy.
63	KIT ONLY	KIT ONLY	Gasket—Throttle Body
64	7035790	7035790	Screw—Throttle Body
65	7048532	7048532	Idle Needle
66	7011479	7011479	Spring—Idle Needle
67	7041497	7041497	Lever—Cam Follower
68	17051494	17051494	Spring—Cam Follower
69	7041498	7041498	Fast Idle Lever
70	7036079	7036079	Screw—Fast Idle Lever
71	704794	7044794	Screw—Fast Idle Adjusting
72	7029900	7029900	Spring—Fast Idle
73	1259887	1259887	Gasket—Flange
—	—	—	Shield—Flange

N.S.S. = Not Serviced Separately

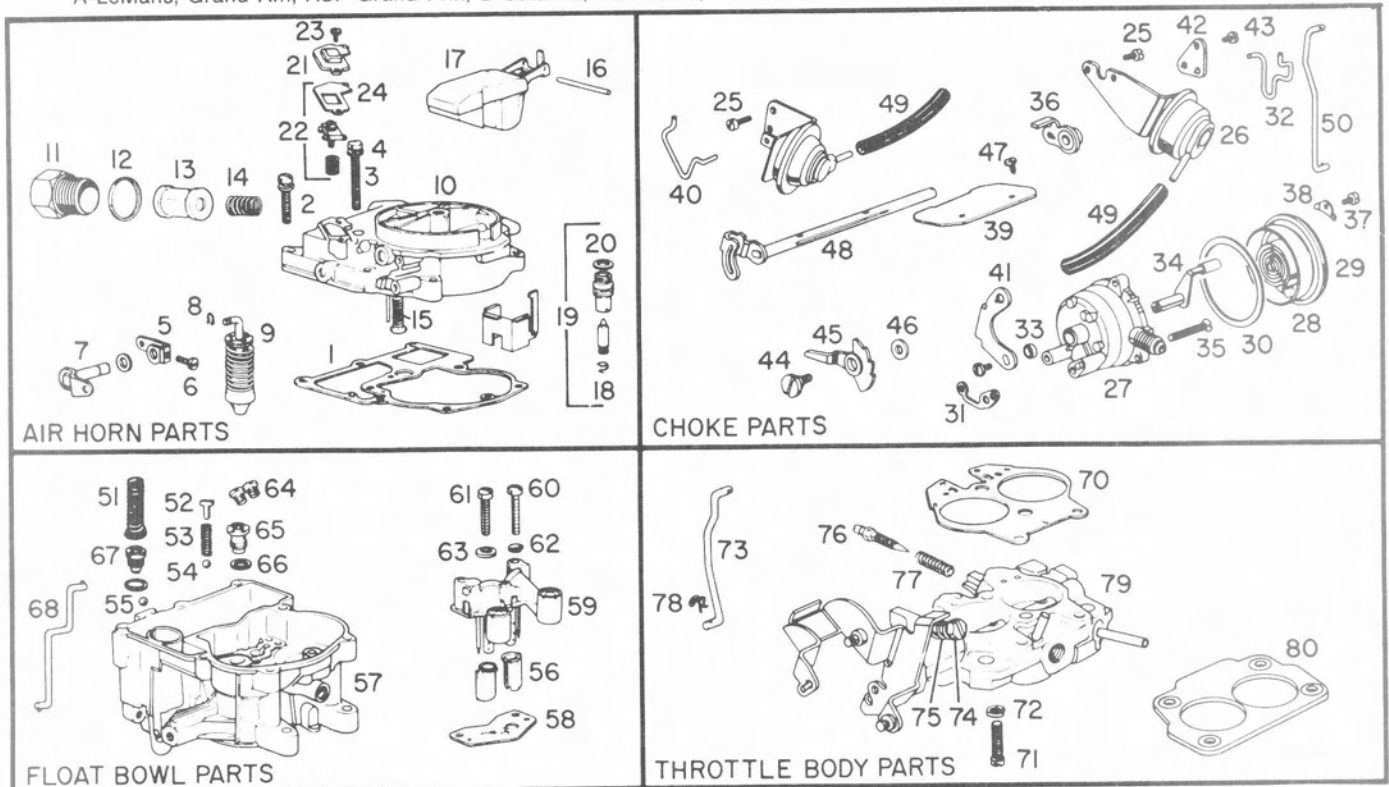


Delco Carburetor

BULLETIN 9C-6145
DATE: SEPTEMBER 1979
PAGE 1

MODEL 2GC CARBURETORS 1975-76 PONTIAC SUNBIRD, VENTURA 231-350 CUBIC INCH ENGINE

A-LeMans, Grand Am; ASP-Grand Prix; B-Catalina, Bonneville; F-Firebird; HSP-Sunbird; X-Phoenix; Ventura



PARTS SHOWN ARE FOR IDENTIFICATION ONLY. CONSULT PARTS LIST FOR CORRECT PART NAME AND NUMBER

PARTS IN ALL COLUMNS SAME — EXCEPT WHERE INDICATED

	X 1975-76 2GC 350 CU. IN. AUTO. TRANS.	ASP 1975-76 2GC 231 CU. IN. MAN. TRANS.	APPLICATION
	17055007	17055006	CARBURETOR No.
	22-189	22-188	REPLACEMENT PACKAGE No.
	17052830	170533176	OVERHAUL KIT
	9286	9307	POWER CARB. KIT (NEO-tiP)
	40-439	40-439	GASKET SET
Illus. No.	Air Horn Parts		
1	17050409		Gasket—Air Horn
2	7010432		Screw—Air Horn—Long
3	7006119		Screw—Air Horn—Short
4	—		Lockwasher—Air Horn Screw
5	7032377		Pump Lever—Inside
6	7011270		Screw—Pump Leer
7	17052510	17053815	Pump Shaft & Lever Kit
—	7019568		Washer—Pump Shaft
8	—		Clip—Pump
9	17052368	17052368	Pump Assembly
10	17065263	17065265	Air Horn Assembly
11	17051765	7040955	Filter Nut—Fuel Inlet
12	7032508		Gasket—Filter Nut
13	GF-470		Filter—Fuel Inlet
14	7032732	7034356	Spring—Fuel Inlet Filter
15	7035603	7006011	Power Piston Assembly
16	7002081		Pin—Float Hinge
17	7037512		Float Assembly
18	—		Pull Clip—Float Needle
19	7035141	7035152	Needle & Seat Assy. (Neo-tiP)
20	KIT ONLY		Gasket—Needle Seat
21	17050272		Cover—Idle Vent
	NONE	NONE	Idle Vent Valve Kit

	17055007	17055006	CARBURETOR No.
Illus.	AIR HORN PARTS (Continued)		
22	—		
23	7015127		Screw—Idle Vent Cover (2)
24	17053051		Gasket—Cover
CHOKE PARTS			
25	7037570		Screw—Control Attaching
26	7043585		Vac. Brk. Cont. & Brkt. Assy. Thr. Side
—	7043626	7049893	Aux. Vac. Brk. Control Assy. Choke Side
27	17052406	17052119	Choke Housing
28	—		Baffle Plate
29	17052512		Stat Cover, Coil & Gasket Assy.
30	17050961		Gasket—Stat Cover
31	7037796		Gasket—Choke Housing
32	7038874		Link—Vacuum Break
33	7037569		Dust Seal—Inter. Choke Shaft
34	7037227		Intermediate Choke Shaft Assy.
35	7013704		Screw—Choke Housing
36	7030796		Lever—Choke Shaft
37	7011270		Screw—Stat Cover
38	7000614		Retainer—Stat Cover
39	7033443		Choke Valve
40	7043157		Link—Auxiliary Vacuum Break
41	7030990		Lever—Intermediate Choke
42	7047882		Lever—Choke
43	7019709		Screw—Choke Levers
44	7036222		Screw—Cam Attaching
45	17052310	17051250	Cam—Fast Idle
46	—		Washer—Cam
47	7007627		Screw—Choke Valve
48	17050404		Shaft—Choke
49	7026339		Hose—Vacuum
50	7043278		Choke Rod—Intermediate
FLOAT BOWL PARTS			
51	17050241		Spring—Pump Return
52	KIT ONLY		Guide—Pump Discharge
53	7002118		Spring—Pump Discharge
54	7002117		Ball—Pump Discharge
55	17050240		Ball—Pump Inlet Check
56	7037286		Insert—Main Well
57	17052513	17052863	Float Bowl Assembly
58	KIT ONLY		Gasket—Venturi Cluster
59	17056607	17053770	Venturi Cluster Assembly
60	7045762		Screw—Cluster—Outer
61	7009077		Screw—Cluster—Center
62	—		Lockwasher—Outer Screw
63	KIT ONLY		Gasket—Center Screw
64	7002659	7002650	Jet—Standard
65	17053646	17053647	Power Valve Assembly—Vacuum
66	KIT ONLY		Gasket—Power Valve
67	17051199	17050246	Aux. Power Valve—Mechanical
68	7043001		Rod—Auxiliary Choke
69	—	17052388	Solenoid—Idle Stop
—	—	7043682	Screw—Solenoid Bracket
—	—	9420176	Nut—Solenoid & Retaining
—	—	7042653	Washer—Tab Locking
—	—	17050425	Bracket & Washer Assy. Solenoid
THROTTLE BODY PARTS			
70	KIT ONLY		Gasket—Throttle Body
71	7015105		Screw—Throttle Body
72	—		Lockwasher—Throttle Body
73	7038799		Rod—Pump
74	7029427		Idle Speed Screw
75	7029428		Spring—Idle Speed Screw
76	17050301		Idle Needle
77	7011479		Spring—Idle Needle
78	7018186		Clip—Pump Rod
79	17053918	17053989	Throttle Body Assembly
80	1248832		Flange Gasket

N.S.S. = Not Serviced Separately

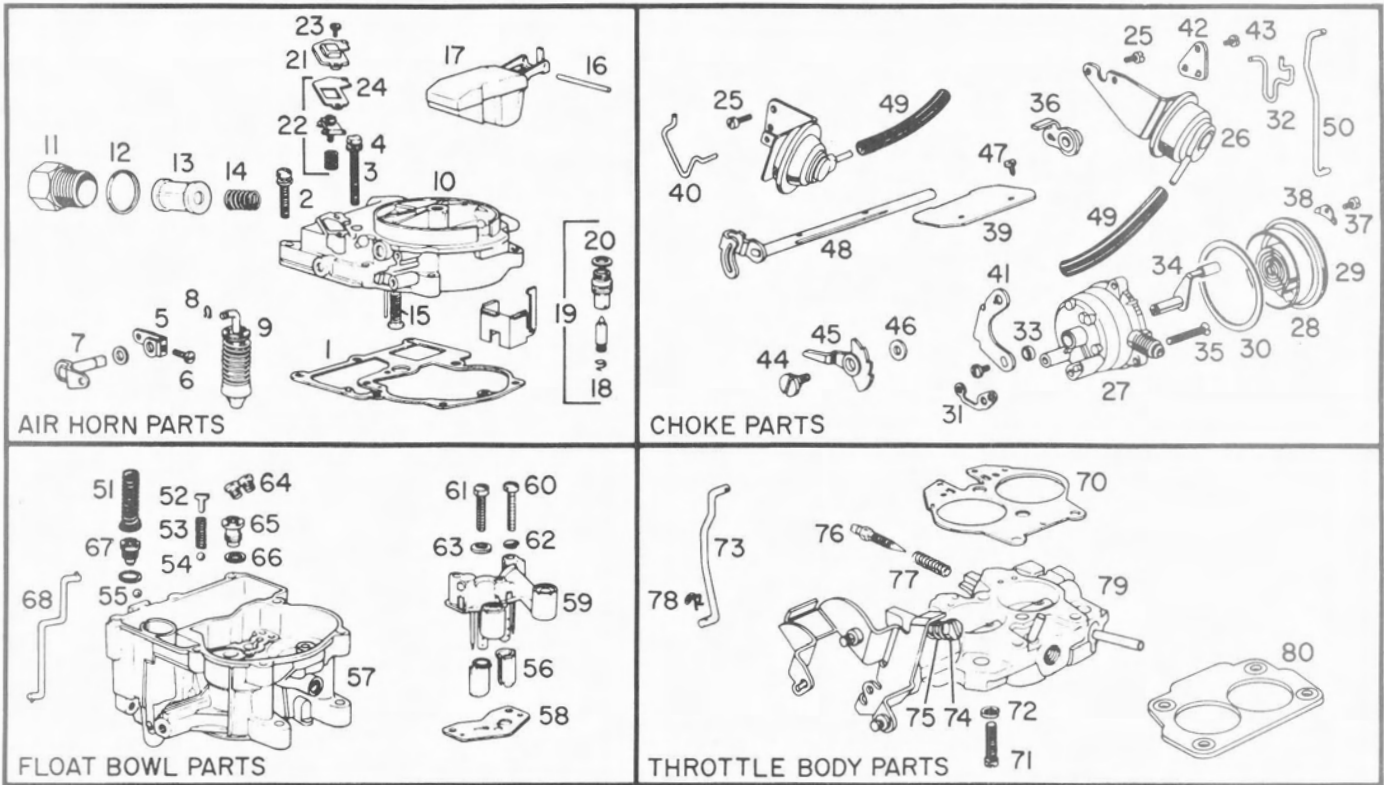


Delco Carburetor

BULLETIN 9C-6146
DATE: SEPTEMBER 1979
PAGE 1

MODEL 2GE CARBURETORS 1977 PONTIAC A-SED, B-SED, FIREBIRD, VENTURA, SUNBIRD 231 CUBIC INCH ENGINE

A-LeMans, Grand Am; ASP-Grand Prix; B-Catalina, Bonneville; F-Firebird; HSP-Sunbird; X-Phoenix, Ventura



PARTS SHOWN ARE FOR IDENTIFICATION ONLY. CONSULT PARTS LIST FOR CORRECT PART NAME AND NUMBER

PARTS IN ALL COLUMNS SAME — EXCEPT WHERE INDICATED

	B, X, F ALTITUDE A/C AUTO. TRANS.	A, HSP, X, F FEDERAL A/C - NON A/C MAN. TRANS.	HSP CALIF. A/C - NON A/C MAN. TRANS.	APPLICATION
	17055189	17055215	17055221	CARBURETOR No.
	22-196	22-197	22-1220	REPLACEMENT PACKAGE No.
	17055192	17055370	17055214	OVERHAUL KIT
	9330	9330	9330	POWER CARB. KIT (Neo-tiP)
	40-439	40-439	40-439	GASKET SET
Illus. No.	AIR HORN PARTS			
1	17050409			Gasket—Air Horn
2	7010432			Screw—Air Horn—Long
3	7006119			Screw—Air Horn—Short
4	—			Lockwasher—Air Horn Screw
5	7032377			Pump Lever—Inside
6	7011270			Screw—Pump Lever
7	17053815			Pump Shaft & Lever Kit
8	—			Washer—Pump Shaft
9	—			Clip—Pump
10	17057911			Pump Assembly
11	17065263			Air Horn Assembly
12	17051765			Filter Nut—Fuel Inlet
13	7032508			Gasket—Filter Nut
14	GF-470			Filter—Fuel Inlet
15	7032732			Spring—Fuel Inlet Filter
16	7035603	7035603	7009054	Power Piston Assembly
17	7002081			Pin—Float Hinge
18	7037512			Float Assembly
19	—			Pull Clip—Float Needle
20	7035152			Needle & Seat Assy. (Neo-tiP)
21	KIT ONLY			Gasket—Needle Seat
22	17050272			Cover—Idle Vent

	17055189	17055215	17055221	CARBURETOR No.
Illus. No.	AIR HORN PARTS (Continued)			
22	—			Idle Vent Valve Kit
23	7015127			Screw—Idle Vent Cover (2)
24	17053051			Gasket—Cover
CHOKE PARTS				
25	7037570			Screw—Control Attaching
26	7043585			Vac. Brk. Cont. & Brkt. Assy. Thr. Side
—	7049893			Aux. Vac. Brk. Control Assy. Choke Side
27	17054720			Choke Housing
28	—			Baffle Plate
29	17054594			Elec. Stat Cover & Coil Assy.
30	—	NONE		Gasket—Stat Cover
31	7037796			Gasket—Choke Housing
32	7038874			Link—Vacuum Break
33	—	NONE		Dust Seal—Inter. Choke Shaft
34	7037227			Intermediate Choke Shaft Assy.
35	7013704			Screw—Choke Housing
36	7030796			Lever—Choke Shaft
37	7011270			Screw—Stat Cover
38	7000614			Retainer—Stat Cover
39	7033443			Valve—Choke
40	7043157			Link—Auxiliary Vacuum Break
41	7030990			Lever—Intermediate Choke
42	7047882			Lever—Choke
43	7019709			Screw—Choke Levers
44	7036222			Screw—Cam Attaching
45	17053760	17051250	17051250	Cam—Fast Idle
46	—			Washer—Cam
47	7007627			Screw—Choke Valve
48	17050404			Shaft—Choke
49	7026339			Hose—Vacuum
50	7043278			Rod—Intermediate Choke
FLOAT BOWL PARTS				
51	17050241			Spring—Pump Return
52	KIT ONLY			Guide—Pump Discharge
53	7002118			Spring—Pump Discharge
54	7002117			Ball—Pump Discharge
55	17050240			Ball—Pump Inlet Check
56	7037286			Insert—Main Well
57	17065232	17055465	17065232	Float Bowl Assembly
58	KIT ONLY			Gasket—Venturi Cluster
59	17057922	17057617	17057779	Venturi Cluster Assembly
60	7045762			Screw—Cluster—Outer
61	7009077			Screw—Cluster—Center
62	—			Lockwasher—Outer Screw
63	KIT ONLY			Gasket—Center Screw
64	7002652	7002654	7002652	Jet—Standard
65	17063646	17063647	17053646	Power Valve Assembly—Vacuum
66	KIT ONLY			Gasket—Power Valve
67	17051201	17050246	17050246	Aux. Power Valve—Mechanical
68	7043001			Aux. Choke Rod
69	17052388			Solenoid—Idle Stop
—	7043682			Screw—Solenoid Bracket
—	9420176			Nut—Solenoid & Retaining
—	7042653			Washer—Tab Locking
—	17050425			Bracket & Washer Assy. Solenoid
THROTTLE BODY PARTS				
70	KIT ONLY			Gasket—Throttle Body
71	7015105			Screw—Throttle Body
72	—			Lockwasher—Throttle Body
73	7038799			Rod—Pump
74	7029427			Idle Speed Screw
75	7029428			Spring—Idle Speed Screw
76	17050301			Idle Needle
77	7011479			Spring—Idle Needle
78	7018186	7018186	7018186	Clip—Pump Rod
79	17055168	17055168	17055212	Throttle Body Assembly
80	1248832			Flange Gasket

N.S.S. = Not Serviced Separately

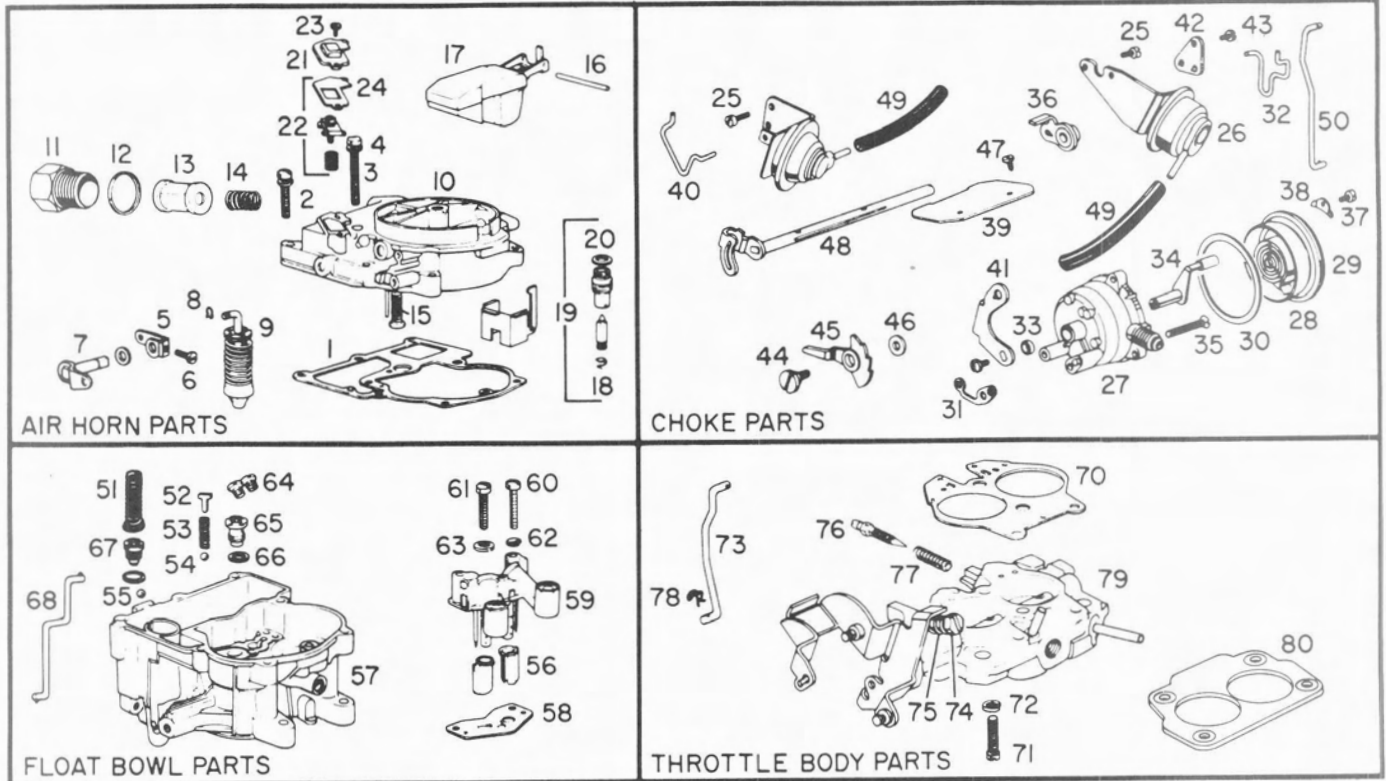


Delco Carburetor

BULLETIN 9C-6147
DATE: SEPTEMBER 1979
PAGE 1

MODEL 2GE CARBURETORS 1977 PONTIAC A-B SEDAN, FIREBIRD, PHOENIX, SUNBIRD, VENTURA 231 CUBIC INCH ENGINE

A-LeMans, Grand Am; ASP-Grand Prix; B-Catalina, Bonneville; F-Firebird; HSP-Sunbird; X-Phoenix, Ventura



PARTS SHOWN ARE FOR IDENTIFICATION ONLY. CONSULT PARTS LIST FOR CORRECT PART NAME AND NUMBER

PARTS IN ALL COLUMNS SAME — EXCEPT WHERE INDICATED

	A, B, X, HSP, F FEDERAL A/C NON A/C AUTO. TRANS.	X, HSP CALIF. A/C NON A/C AUTO. TRANS.	X, HSP ALTITUDE A/C NON A/C AUTO. TRANS.	A, B, X, HSP, F FEDERAL A/C NON A/C AUTO. TRANS.	APPLICATION
	17057386	17057388	17057390	17057394	CARBURETOR No.
	22-1203	22-198	22-195	22-193	REPLACEMENT PACKAGE No.
	17055525	17055370	17055192	17055371	OVERHAUL KIT
	9307	9330	9330	9330	POWER CARB. KIT (NEO-tiP)
	40-439	40-439	40-439	40-439	GASKET SET
Illus. No.	AIR HORN PARTS				
1	17050409				Gasket—Air Horn
2	7010432				Screw—Air Horn—Long
3	7006119				Screw—Air Horn—Short
4	—				Lockwasher—Air Horn Screw
5	7032377				Pump Lever—Inside
6	7011270				Screw—Pump Lever
7	17052510	17053815	17053815	17053815	Pump Shaft & Lever Kit
—	7019568				Washer—Pump Shaft
8	—				Clip—Pump
9	17058976	1705791	17057911	17057911	Pump Assembly
10	17065263				Air Horn Assembly
11	17051765				Filter Nut—Fuel Inlet
12	7032508				Gasket—Filter Nut
13	GF-470				Filter—Fuel Inlet
14	7032732				Spring—Fuel Inlet Filter
15	7009054	7009054	7035603	7009054	Power Piston Assembly
16	7002081				Pin—Float Hinge
17	7037512				Float Assembly
18	—				Pull Clip—Float Needle
19	7035152				Needle & Seat Assy. (Neo-tiP)
20	KIT ONLY				Gasket—Needle Seat
21	17050272			17050272	Cover—Idle Vent

Illus. No.	17057386	17057388	17057390	17057394	CARBURETOR No.
AIR HORN PARTS					
22	—				Idle Vent Valve Kit
23	7015127				Screw—Idle Vent Cover (2)
24	17053051				Gasket—Cover
CHOKE PARTS					
25	7037570				Screw—Control Attaching
26	7043585				Vac. Brk. Cont. & Brkt. Assy. Thr. Side
—	7049893				Aux. Vac. Brk. Control Assy. Choke Slide
27	17054720				Choke Housing
28					Baffle Plate
29	17058794	17054594	17054594	17054594	Elec. Stat Cover & Coil Assy.
30	NONE	NONE	NONE	17050961	Gasket—Stat Cover
31	7037796				Gasket—Choke Housing
32	7038874				Link—Vacuum Break
33	NONE	NONE	NONE	7037569	Dust Seal—Inter. Choke Shaft
34	7037227				Intermediate Choke Shaft Assy.
35	7013704				Screw—Choke Housing
36	7030796				Lever—Choke Shaft
37	7011270				Screw—Stat Cover
38	7000614				Retainer—Stat cover
39	7033443				Valve—Choke
40	7043157				Link—Auxiliary Vacuum Break
41	7030990				Lever—Intermediate Choke
42	7047882				Lever—Choke
43	7019709				Screw—Choke Levers
44	7036222				Screw—Cam Attaching
45	17053760				Cam—Fast Idle
46	—				Washer—Cam
47	7007627				Screw—Choke Valve
48	17050404				Shaft—Choke
49	7026339				Hose—Vacuum
50	7043278				Rod—Intermediate Choke
FLOAT BOWL PARTS					
51	17050241				Spring—Pump Return
52	KIT ONLY				Guide—Pump Discharge
53	7002118				Spring—Pump Discharge
54	7002117				Ball—Pump Discharge
55	17050240				Ball—Pump Inlet Check
56	7037286				Insert—Main Well
57	17065233	17052863	1705232	17065233	Float Bowl Assembly
58	KIT ONLY				Gasket—Venturi Cluster
59	17057933	17057932	17057922	17057933	Venturi Cluster Assembly
60	7045762				Screw—Cluster—Outer
61	7009077				Screw—Cluster—Center
62	—				Lockwasher—Outer Screw
63	KIT ONLY				Gasket—Center Screw
64	7002654	7002656	7002652	7002654	Jet—Standard
65	17053647	17053647	17053646	17053647	Power Valve Assembly—Vacuum
66	KIT ONLY				Gasket—Power Valve
67	17051201	17050246	17051201	17051201	Aux. Power Valve—Mechanical
68	7043001				Rod—Auxiliary Choke
69	NONE	NONE	NONE	NONE	Solenoid—Idle Stop
—	NONE	NONE	NONE	NONE	Screw—Solenoid Bracket
—	NONE	NONE	NONE	NONE	Nut—Solenoid & Retaining
—	NONE	NONE	NONE	NONE	Washer—Tab Locking
—	NONE	NONE	NONE	NONE	Bracket & Washer Assy. Solenoid
THROTTLE BODY PARTS					
70	KIT ONLY				Gasket—Throttle Body
71	7015105				Screw—Throttle Body
72	—				Lockwasher—Throttle Body
73	7038799				Rod—Pump
74	7029427				Idle Speed Screw
75	7029428				Spring—Idle Speed Screw
76	17050301				Idle Needle
77	7011479				Spring—Idle Needle
78	7018186				Clip—Pump Rod
79	17055168	17055212	17055168	17055168	Throttle Body Assembly
80	1248832				Flange Gasket

N.S.S. = Not Serviced Separately



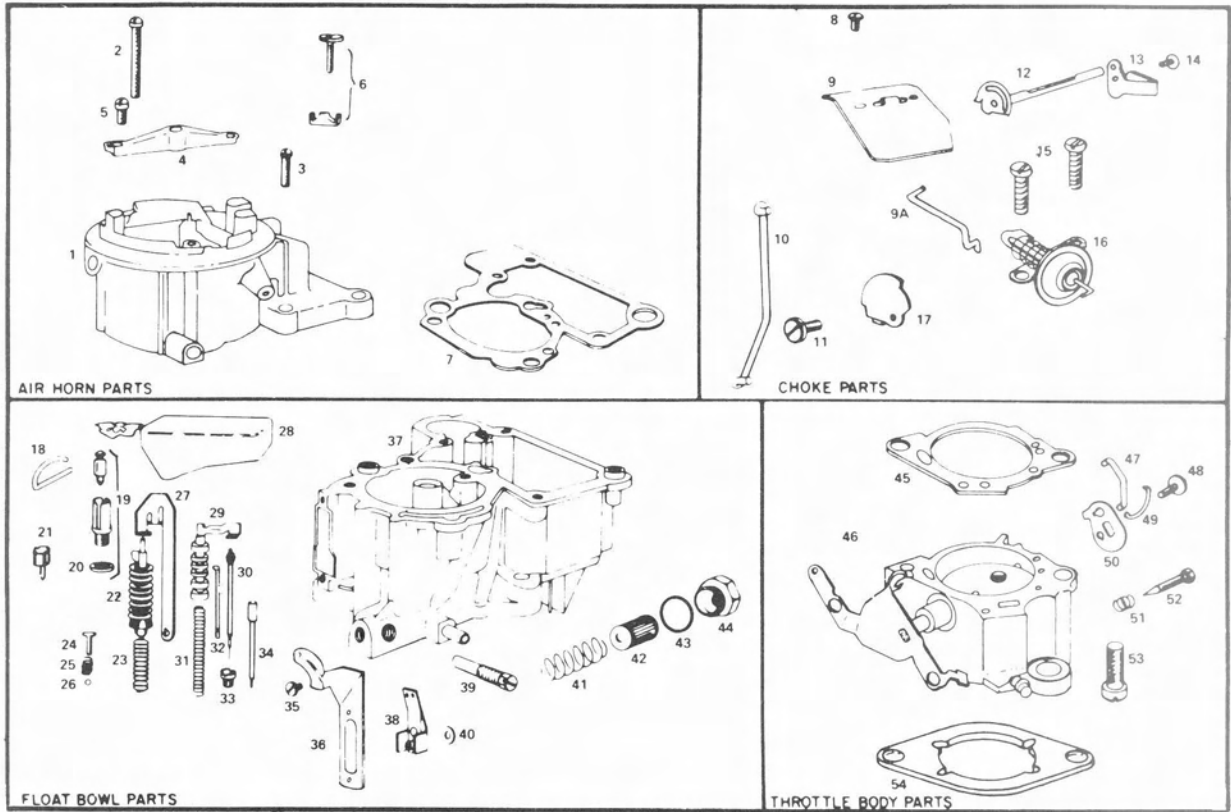
Delco Carburetor

MODEL 1 MV MONOJET

1973 PONTIAC TEMPEST, VENTURA, FIREBIRD 250 CUBIC INCH ENGINE (6 CYL.)

BULLETIN: 9C-6148
DATE: SEPTEMBER 1979
PAGE 1

A-LeMans, Grand Prix; ASP-Grand Prix; B-Catalina, Bonneville; F-Firebird; HSP-Sunbird; X-Phoenix



PARTS SHOWN ARE FOR IDENTIFICATION ONLY. CONSULT PARTS LIST FOR CORRECT PART NAME AND NUMBER

PARTS IN ALL COLUMNS SAME — EXCEPT WHERE INDICATED

	1973 250-CU. IN. 6-CYL. M/T & A/T 17054303 21-3090 7046677 9248 40-412	APPLICATION CARBURETOR No. REPLACEMENT PACKAGE No. OVERHAUL KIT POWER CARBURETOR KIT GASKET SET
Illus. No.	AIR HORN PARTS	
1	7049919	Air Horn Assembly
2	7038912	Screw—Air Horn (Long)
3	7030917	Screw—Air Horn (Short)
4	7037774	Bracket—Air Cleaner Stud
5	7042813	Screw—Bracket Attaching
7	7035166	Gasket—Air Horn
	CHOKE PARTS	
8	7020926	Screw—Choke Valve
9	7049918	Valve—Choke
9A	7035207	Link—Vacuum Break
10	7037000	Rod—Choke
11	7003561	Screw—Cam Attaching
12	7028175	Choke Shaft and Lever
13	7030719	Lever—Choke
14	7019709	Screw—Choke Lever
—	NONE	Choke Lever & Link Assy.
16	7030918	Vacuum Break Control Assembly
17	7045905	Cam—Fast Idle
—	7026339	Hose—Vacuum Break

	17054303	CARBURETOR No.
	FLOAT BOWL PARTS	
18	7034032	Hinge Pin—Float
19	7035133	Needle and Seat Assembly
20	KIT ONLY	Gasket—Needle Seat
21	NONE	Power Valve
22	7037597	Pump Assembly
23	7008694	Spring—Pump Return
24	7003838	Guide—Pump Discharge
25	7002118	Spring—Pump Discharge
26	7002117	Ball—Pump Discharge
27	17056474	Lever—Pump Actuating
28	7037022	Float Assembly
29	7035889	Power Piston Assembly
30	7037782	Metering Rod & Spring Assembly
31	7012515	Spring—Power Piston
32	17054016	Rod—Power Piston Kit
33	7034206	Jet—Main Metering (Standard)
33	—	Jet—Main Metering (Altitude)
34	17052340	Idle Tube Assembly
35	7041210	Screw—Cover
36	7035670	Cover—Idle Compensator
37	7046669	Float Bowl Assembly
38	17060388	Idle Compensator Assembly
39	—	Spring—Solenoid Retaining
40	7027970	Gasket—Idle Compensator
41	7031539	Spring—Fuel Filter
42	GF-427	Filter—Fuel Inlet
43	7032508	Gasket—Filter Nut
44	7038946	Filter Nut—Fuel Inlet
—	1114444	Solenoid (C.E.C.) (See Note)
—	7040378	Bracket Assembly—Solenoid
—	7042654	Nut—Solenoid Retaining
—	NONE	Screw—Bracket Retaining
—	7043661	Screw—Bracket Retaining
—	NONE	Bracket—Thr. Return
—	—	Solenoid—Idle Stop
	THROTTLE BODY PARTS	
45	KIT ONLY	Gasket—Throttle Body
46	7048253	Throttle Body Assembly
47	7037855	Link—Pump Lever
48	7010435	Screw—Lever Attaching
—	—	Limiter Cap—Idle Needle
49	17054016	Link—Power Piston Rod
50	17054016	Lever—Pump and Power Rod
51	7038989	Spring—Idle Needle
52	7048531	Idle Needle
53	7038875	Screw—Throttle Body
54	333977	Gasket—Flange (Non California)
—	333977	Gasket—Flange (California)
—	—	Insulator—Flange
—	—	Screw—Fast Idle
—	—	Spring—Fast Idle Screw

NOTE: Available Through Delco-Remy
N.S.S. = Not Serviced Separately

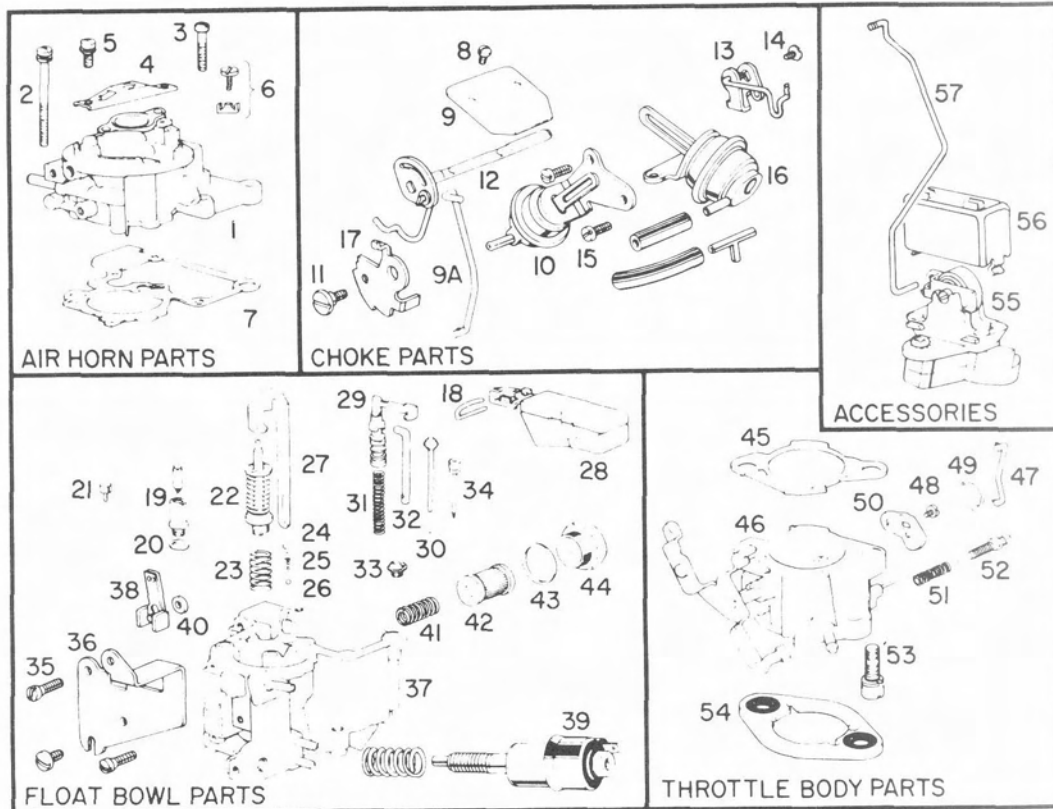


Delco Carburetor

BULLETIN: 9C-6149
 DATE: SEPTEMBER 1979
 PAGE: 1

MODEL 1MV MONOJET
 1975-76 PONTIAC ASTRE, SUNBIRD LEMANS, VENTURA,
 FIREBIRD
 (SERVICE CARBURETORS)
 140-250 CUBIC INCH ENGINE (4-6 CYL.)

A-LeMans, Grand Am; ASP-Grand Prix; B-Catalina, Bonneville; F-Firebird; HSP-Sunbird; X-Phoenix



PARTS SHOWN ARE FOR IDENTIFICATION ONLY. CONSULT PARTS LIST FOR CORRECT PART NAME AND NUMBER

PARTS IN ALL COLUMNS SAME — EXCEPT WHERE INDICATED

	A, F, X 1975-76 250-CU. IN. M/T & A/T	HSP, X 1976 140-CU. IN. 4-CYL. M/T & A/T	X 1975 140-CU. IN. 4-CYL. M/T & A/T	A, F, X 1975-76 250-CU. IN. M/T & A/T	APPLICATION
	17054308	17054963	17054972	17055553	CARBURETOR No.
	21-3111	21-3106	21-3096	21-3149	REPLACEMENT PACKAGE No.
	17052898	17052853	N.S.S.	17052898	OVERHAUL KIT
	9296	9290	9249	9296	POWER CARBURETOR KIT
	40-447	40-442	40-413	40-447	GASKET SET
Illus. No.	AIR HORN PARTS				
1	17051471	17050828	17050828	17051471	Air Horn Assembly
2	7043089				Screw—Air Horn (Long)
3	7030917				Screw—Air Horn (Short)
4	7043588	7043656	7043656	7043588	Bracket—Air Cleaner Stud
5	7042813				Screw—Bracket Attaching
—	—	7043088	7043088	—	Screw—Air Horn
7	7035166	7040137	7040137	7035166	Gasket—Air Horn
	CHOKE PARTS				
8	7020926				Screw—Choke Valve
9	17052251	7049918	7049918	17052251	Valve—Choke
9A	7043131	NONE	NONE	7043131	Rod—Choke
10	7043127	7044104	7043090	7043127	Vac. Break Controls Thr. Side
	7026339				Hose—Vacuum Break
—	—	KIT ONLY	KIT ONLY	—	*Gasket—Air Cleaner

	17054308	17054963	17054972	17055553	CARBURETOR No.
			CHOKE PARTS (Continued)		
11	7003561				Screw—Cam Attaching
12	7049980	7043083	7043083	7049980	Choke Shaft Lever & Link Assy.
13	17051769	7041238	7041238	17051769	Choke Lever & Link Assy.
14	7019709				Screw—Choke Lever
15	7043095				Screw—Vacuum Break Bracket
16	17052250	7043098	7043098	17060455	Vac. Brk. Control Assem. Bowl Side
—	—	17053085	17053085	—	Cam & Link Assembly
17	17052358	—	—	17052358	Cam—Fast Idle
			FLOAT BOWL PARTS		
18	7034032				Hinge Pin—Float
19	7035133	7035149	7035149	7035133	Needle and Seat Assembly
20	KIT ONLY				Gasket—Needle Seat
21	NONE	7042849	7030668	NONE	Power Valve
22	7037595	7045943	7045943	7037595	Pump Assembly
23	7041176	7004597	7004597	7041176	Spring—Pump Return
24	7003838				Guide—Pump Discharge
25	7002118				Spring—Pump Discharge
26	7002117				Ball—Pump Discharge
27	17056474				Lever—Pump Actuating
28	7037022				Float Assembly
29	7035295	NONE	NONE	7035295	Power Piston Assembly
30	7043775	NONE	NONE	7044791	Metering Rod & Spring Assembly
31	7036280	NONE	NONE	7036280	Spring—Power Piston
32	17054016	NONE	NONE	17054016	Rod—Power Piston Kit
33	7034205	7034153	7034151	7034205	Jet—Main Metering
34	17052339	17052333	17052332	17052339	Idle Tube Assembly
35	7041287	7041272	7041272	7041287	Screw—Bracket (2)
36	17050025	7041512	7041512	17050025	Cover—Idle Compensator
	—	7040519	7040519	—	Spring—Solenoid Retaining
37	17050697	7046966	7046966	N.S.S.	Float Bowl Assembly
38	17060388	7035288	7035288	17060388	Idle Compensator Assembly
39	7043575	7040219	7040219	7043575	Solenoid—Idle Stop
40	7027970				Gasket—Idle Compensator
41	7032732				Spring—Fuel Filter
42	GF-470	GF-470	GF-427	GF-470	Filter—Fuel Inlet
43	7032508				Gasket—Filter Nut
44	7038946				Filter Nut—Fuel Inlet
—	17050024	—	—	17050024	Screw—Throttle Brkt. (1)
			THROTTLE BODY PARTS		
45	KIT ONLY				Gasket—Throttle Body
46	17053598	N.S.S.	N.S.S.	17053598	Throttle Body Assembly
47	7035267	7040900	7040900	7035267	Link—Pump Lever
48	7010435				Screw—Lever Attaching
49	17054016	NONE	NONE	17054016	Link—Power Piston Rod Kit
50	17054016	7027005	7027005	17054016	Lever—Pump & Power Rods Kit
51	7038989				Spring—Idle Needle
52	7048964	17056660	17056660	7048964	Idle Needle
53	7043087				Screw—Throttle Body
54	—	—	331124	—	Insulator—Flange
—	—	17050381	17050381	—	Screw—Fast Idle
—	—	7041519	7041519	—	Spring—Fast Idle Screw
—	333977	3983440	3983440	333977	Gasket—Flange

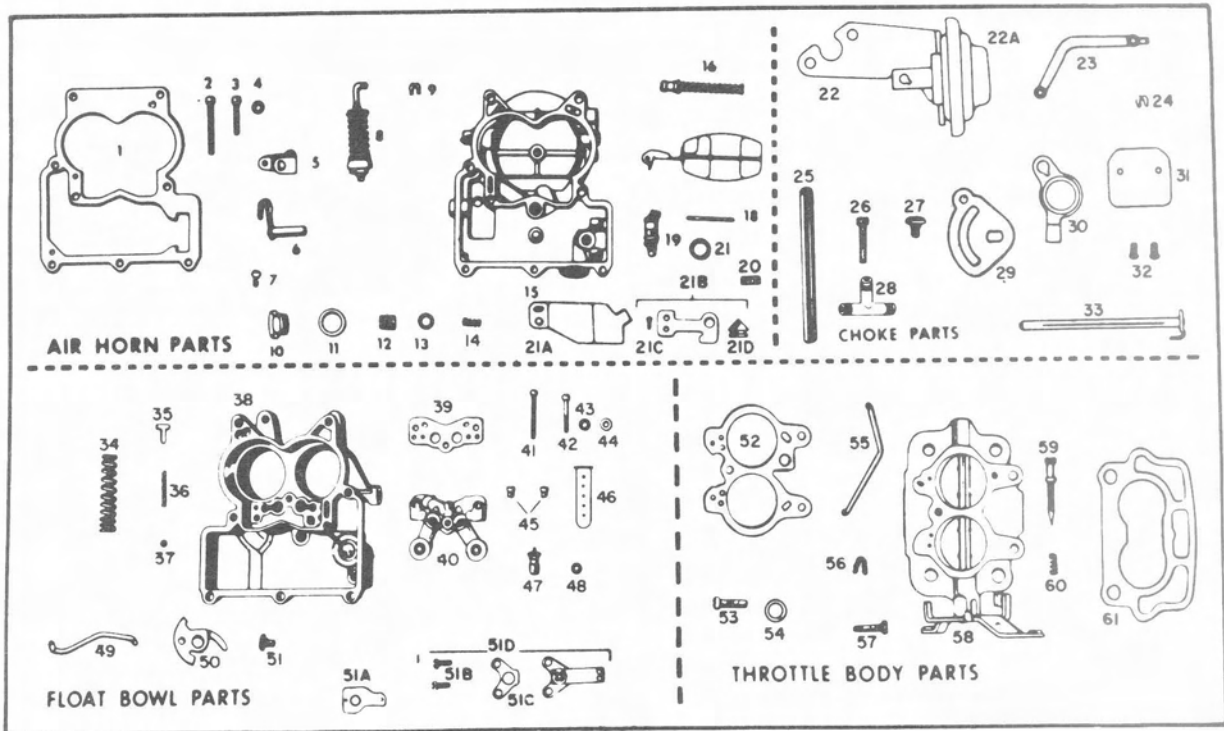


Delco Carburetor

BULLETIN: 9C-6150
DATE: SEPTEMBER 1979
PAGE: 1

MODEL 2GV CARBURETORS 1972 PONTIAC VENTURA II 307 CUBIC INCH ENGINE

A-LeMans, Grand Am; ASP-Grand Prix; B-Catalina, Bonneville; F-Firebird; HSP-Sunbird; X-Phoenix, Ventura



PARTS SHOWN ARE FOR IDENTIFICATION ONLY. CONSULT PARTS LIST FOR CORRECT PART NAME AND NUMBER

PARTS IN ALL COLUMNS SAME — EXCEPT WHERE INDICATED

	1972 307 CU. IN. 2GV AUTO TRANS	APPLICATION
	17054654	CARBURETOR No.
	22-3103	REPLACEMENT PKG. No.
	7041905	OVERHAUL KIT
	9224	POWER CARBURETOR KIT
	40-398	GASKET SET
Illus. No.	AIR HORN PARTS	
1	7038522	Gasket—Air Horn
2	7010432	Screw—Air Horn (Long)
3	7006119	Screw—Air Horn (Short)
4	—	Lockwasher—Air Horn Screws
5	7032377	Lever—Pump Inside
6	17057319	Pump Shaft & Lever Assembly
7	7011270	Screw—Pump Lever
—	7019568	Washer—Pump Lever
8	7045908	Pump Assembly
9	—	Elbow—Fuel Inlet
10	7040952	Clip—Pump
11	7032508	Nut—Fuel Filter
12	7013404	Gasket—Fuel Filter
13	7013584	Filter—Fuel Inlet
14	7034356	Gasket—Fuel Filter
15	7041600	Spring—Fuel Filter
		Air Horn Assembly

	17054654	CARBURETOR No.
		AIR HORN PARTS (Continued)
16	7006323	Power Piston Assembly
17	7037512	Float Assembly
18	7002081	Pin—Float Hinge
19	7023809	Needle and Seat Assembly
20	—	Strainer—Needle Seat
21	KIT ONLY	Gasket—Needle Seat
21A	—	Shield—Idle Vent
21B	—	Idle Vent Valve Kit
21C	—	Valve & Shield
21D	—	Valve—Idle Vent
—	—	Pull Clip & Float Needle
		CHOKE PARTS
22	7042715	Vacuum Break Con. & Brkt. Assy.
22A	NONE	Vacuum Break Control Assembly
23	7040239	Link—Vac. Break
—	NONE	Bracket—Choke
25	7026339	Hose—Vacuum
26	7011270	Screw—Vacuum Control Attaching
27	7019709	Screw—Stat Rod Lever
—	—	Nut—Wire Clamp
—	—	Screw—Wire Clamp
—	—	Spring—Choke Valve
—	—	Retainer Choke Valve
—	NONE	Choke Lever & Swivel Assy.
29	7040002	Lever—Stat Rod
30	7026239	Lever—Choke
31	7025955	Valve—Choke
32	7007627	Screw—Choke Valve
33	NSS	Choke Shaft Assembly
		FLOAT BOWL PARTS
34	7043600	Spring—Pump Return
35	KIT ONLY	Guide—Pump Discharge
36	7002118	Spring—Pump Discharge
37	7002117	Ball—Pump Discharge
38	7041902	Float Bowl Assembly
39	KIT ONLY	Gasket—Venturi Cluster
40	7042627	Venturi Cluster Assembly
41	7000293	Screw—Venturi Cluster—Outer
42	7000294	Plug—Lead Ball
—	—	Lockwasher—Outer Screws
44	KIT ONLY	Gasket—Center Screw
45	7002649	Jet—Standard
46	7021528	Insert—Main Well
47	7010918	Power Valve Assembly
48	KIT ONLY	Gasket—Power Valve
49	7030521	Rod—Choke
50	7037947	Cam—Fast Idle
51	7003561	Screw—Cam Attaching
51A	—	Cover—Idle Compensator
51B	—	Screw—Idle Compensator
51C	—	Gasket—Idle Compensator
51D	—	Idle Compensator Kit
—	1114450	Solenoid—Idle Stop
—	7042818	Bracket Assy. Solenoid
—	7042654	Nut—Solenoid
—	7042653	Locking Washer—Solenoid
—	7043682	Screw—Bracket Attaching
		THROTTLE BODY PARTS
52	KIT ONLY	Gasket—Throttle Body
53	7015105	Screw—Throttle Body
54	—	Lockwasher—Throttle Body Screws
55	7038799	Pump Rod
56	7018186	Clip—Pump Rod
57	7029427	Idle Stop Screw
—	7029428	Spring—Idle Stop Screw
58	NSS	Throttle Body Assembly
58	—	—
59	7048860	Idle Adjusting Needle
60	7011479	Spring—Idle Needle
61	—	Gasket—Flange (Non California)
—	—	Gasket—Flange (California)
—	6262904	Insulator Flange (California)

NSS — NOT SERVICED SEPARATELY
Solenoid Available thru Delco-
Remy

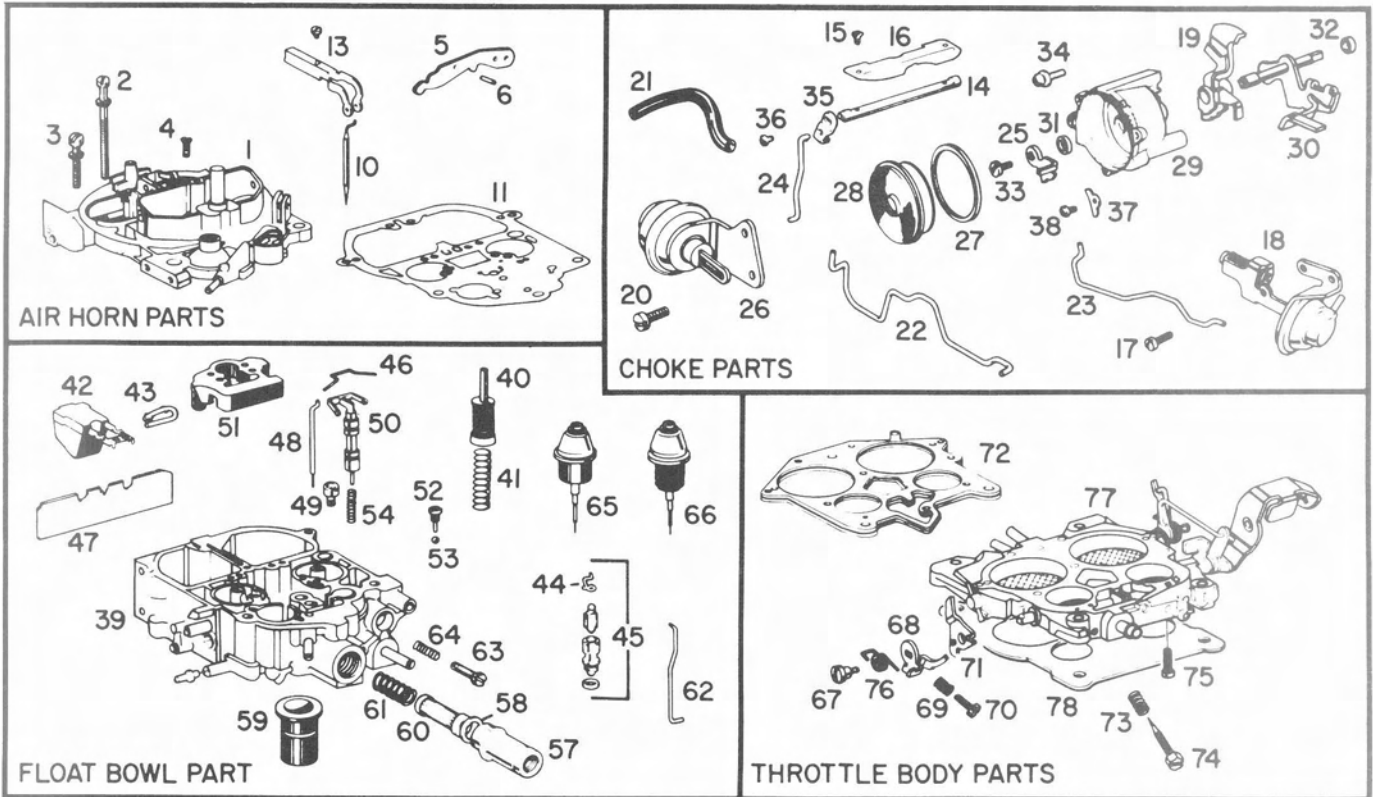


Delco Carburetor

BULLETIN: 9C-6151
 DATE: SEPTEMBER 1979
 PAGE: 1

MODEL M4MC QUADRAJET
1975-76 PONTIAC LEMANS
350 CUBIC INCH ENGINE

A-LeMans, Grand Am; ASP-Grand Prix; B-Catalina, Bonneville; F-Firebird; HSP-Sunbird; X-Phoenix



PARTS SHOWN ARE FOR IDENTIFICATION ONLY. CONSULT PARTS LIST FOR CORRECT PART NAME AND NUMBER

PARTS IN ALL COLUMNS SAME — EXCEPT WHERE INDICATED

	1976 CANADA ONLY 350-CU. IN. AUTO TRANS	1975 CANADA ONLY 350-CU. IN. M/T & A/T	APPLICATION
	17054932	17055038	CARBURETOR No.
	24-3138	24-3125	REPLACEMENT PACKAGE No.
	17054217	17051931	OVERHAUL KIT
	9312	9272	POWER CARBURETOR KIT
	40-449	40-431	GASKET SET
Illus. No.	AIR HORN PARTS		
1	17052990	17052228	Air Horn Assembly
2	7029912		Screw—Air Horn
3	7014699		Screw—Air Horn
4	7031105		Screw—Air Horn
5	7048169		Lever—Pump Actuating
6	9428787		Roll Pin—Pump and Lockout Levers
7	—		Screw—Idle Vent Valve
8	—		Valve—Idle Vent
9	—		Idle Vent Valve Kit
10	7045779	7045779	Metering Rod—Secondary
11	17051797	7042998	Gasket—Air Horn
12	—		Lockout Lever—Air Valve
13	7034522		Secondary Metering Rod Holder Kit
—	7035344		Air Valve Spring and Cam Kit
	CHOKE PARTS		
14	7038259		Choke Shaft
15	7029866		Screw—Choke Valve
16	7048904		Valve—Choke
17	17050732		Screw—Vacuum Break Control

	17054932	17055038	CARBURETOR No.
Illus. No.		CHOKE PARTS (Continued)	
18	17050759		Vacuum Break Control & Brckt. Assy.
19	17051176		Cam—Fast Idle
20	—	7043682	Screw—Aux. Vac. Brk. Mounting
21	7026339		Hose—Vacuum
22	7041527		Rod—Vacuum Break
—	7031231		Lever—Intermediate Choke
23	—	7043447	Link—Auxiliary Vacuum Break
24	7041472	7041472	Rod—Choke
25	—		Lever—Choke Coil
26	—	17050756	Vacuum Break Cont. & Brkt. Assy. Aux.
27	17050961		Gasket—Stat Cover
28	17051918		Stat Cover—Coil & Gasket Assy.
29	17051917		Choke Housing Kit
30	17050754	17051193	Intermediate Choke Shaft & Lever
31	7037569		Seal—Inter. Choke Shaft
32	7043367		Seal—Choke Housing to Bowl
33	7019709		Screw—Coil Lever
34	7038808		Screw—Choke Housing to Bowl
35	7041542		Lever—Choke
36	7029866		Screw—Choke Lever
37	7000614		Retainer—Stat Cover (3)
38	7011270		Screw—Stat Cover (3)
		FLOAT BOWL PARTS	
39	17052989	17051919	Float Bowl Assembly
40	17051374		Pump Assembly
41	7042979		Spring—Pump Return
42	7043379	7041468	Float Assembly
43	7041469		Hinge Pin—Float
44	7033751		Pull Clip—Float Needle
45	7035151	7035134	Needle and Seat Assembly
45A	KIT ONLY		Gasket—Needle Seat
46	7041459		Spring—Metering Rod—Primary
47	7031365		Baffle Plate—Float Bowl
48	17051348	17051346	Metering Rod—Primary
49	7031977	7031972	Metering Jet—Primary
50	17051792	7041460	Power Piston Assembly
51	7041471		Insert—Float Bowl
52	7029849		Retainer—Pump Discharge Ball
53	7002117		Ball—Pump Discharge
54	17052057		Spring—Power Piston
55	—		Clip—Pump Rod
56	7041473		Lockout Lever—Secondary
57	17051254		Filter Nut—Fuel Inlet
58	7024281		Gasket—Inlet Nut
59	17051796	NONE	Insert—Aneroid Cavity
60	5651803	GF-441	Filter—Fuel Inlet
61	7043568		Spring—Inlet Filter
62	7026138		Rod—Pump
63	7002121		Screw—Idle Stop
64	7003176		Spring—Idle Stop Screw
65	NONE	17053049	A.P.T. Rod Assembly
66	—		Aneroid Assembly
—	—		Locking Washer—Retaining Nut
—	—		Nut—Solenoid Retaining
—	—		Screw—Bracket
		THROTTLE BODY PARTS	
67	7036079		Screw—Fast Idle Levers Attaching
68	7041498		Lever—Fast Idle
69	7029900		Spring—Fast Idle Screw
70	7044794		Screw—Fast Idle Adjusting
71	7041497		Lever—Cam Follower
72	KIT ONLY		Gasket—Throttle Body
73	7011479		Spring—Idle Needle
74	7048531		Idle Needle
75	7035790		Screw—Throttle Body
76	17051494		Spring—Cam Follower Lever
77	17051921	17051921	Throttle Body Assembly
78	372506		Insulator—Flange

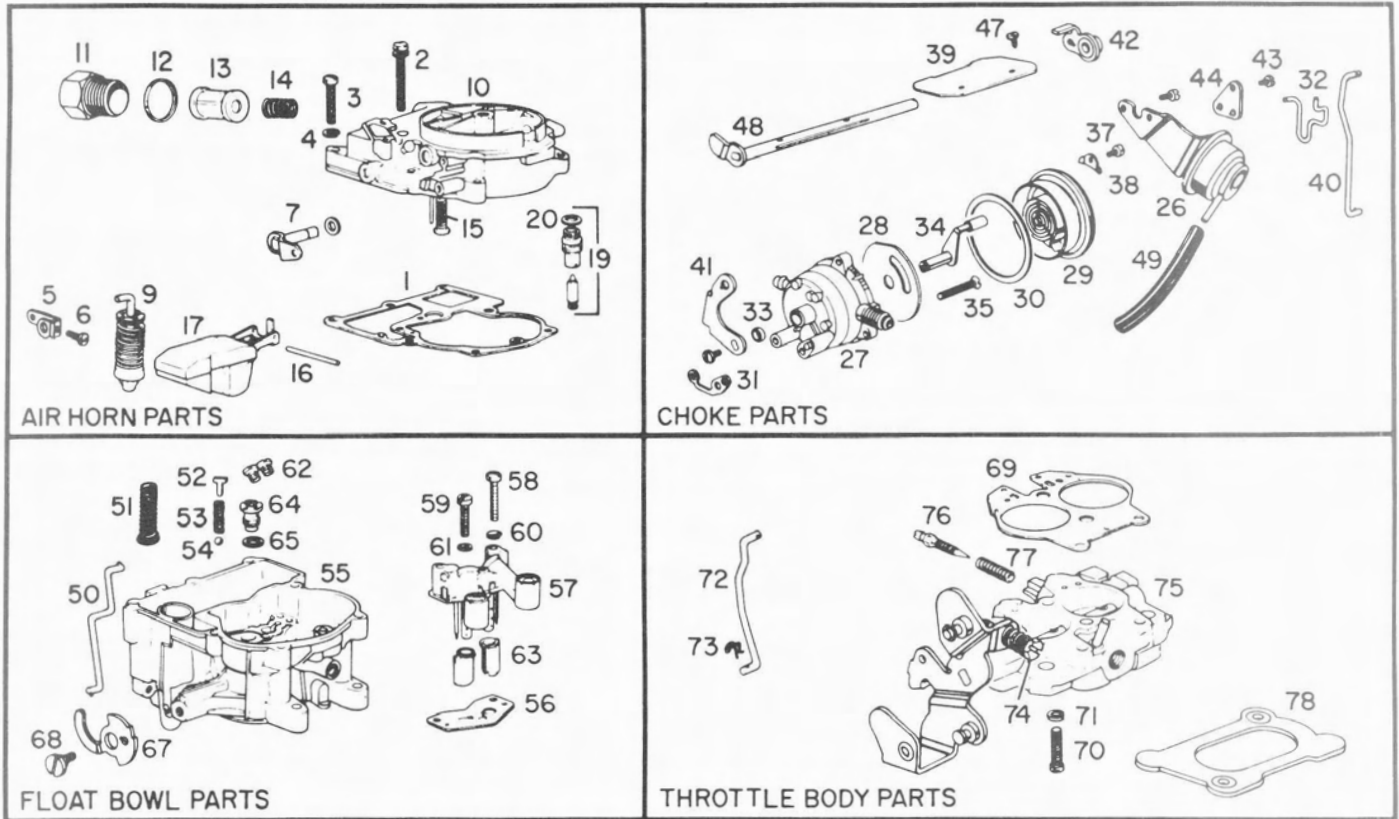


Delco Carburetor

BULLETIN 9C-6152
DATE: SEPTEMBER 1979
PAGE 1

MODEL 2GC CARBURETORS 1977 PONTIAC FIREBIRD, "X" BODY 305 CUBIC INCH ENGINE

A-LeMans, Grand Am; ASP-Grand Prix; B-Catalina, Bonneville; F-Firebird; HSP-Sunbird; X-Phoenix



PARTS SHOWN ARE FOR IDENTIFICATION ONLY. CONSULT PARTS LIST FOR CORRECT PART NAME AND NUMBER

PARTS IN ALL COLUMNS SAME — EXCEPT WHERE INDICATED

	FED.—A/T NON AIR COND.	FED.—A/T AIR COND.	APPLICATION
	17057374	17057375	CARBURETOR No.
	22-3185	22-3186	REPLACEMENT PKG. No.
	17055338	17055335	OVERHAUL KIT
	9327	9326	POWER CARB. KIT
	40-448	40-456	GASKET SET
	AIR HORN PARTS		
Illus. No.			
1	7045671	17050409	Gasket—Air Horn
2	7010432		Screw—Air Horn—Long
3	7006119		Screw—Air Horn—Short
4	—		Lockwasher—Air Horn
5	7032377		Pump Lever—Inside
6	7011270		Screw—Pump Lever
7	7044029		Pump Shaft & Lever Assy.
—	7019568		Washer—Pump Shaft
8	7005032		Clip—Pump
9	7036282		Pump Assembly
10	17065256		Air Horn Assembly
11	17051765	17053408	Filter Nut—Fuel Inlet
12	7032508		Gasket—Filter Nut
13	GF-470		Filter—Fuel Inlet
14	7032732	17051764	Spring—Fuel Inlet Filter
15	7009054		Power Piston Assembly
16	7002081		Pin—Float Hinge
17	7037512		Float Assembly
18	7044032		Elbow—Filter Nut
19	7035152		Needle & Seat Assy.
20	KIT ONLY		Gasket—Needle Seat
21	KIT ONLY		*Gasket—Air Cleaner

	17057374	17057375	CARBURETOR No.
Illus. No.	AIR HORN PARTS (Continued)		
22	—		Idle Vent Valve Kit
23	—		Screw—Idle Vent Valve
24	—		Idle Vent Valve
CHOKE PARTS			
25	—		Vacuum Break Control Assy.
26	7044056		Vac. Break Con. & Brkt. Assy.
—	7037570		Screw—Control Attaching
27	17055540	17055540	Choke Housing
28	7037239		Baffle Plate
29	17052654		Stat Cover, Coil & Gasket Assy.
30	17050961		Gasket—Stat Cover
31	7043291		Gasket—Choke Housing
32	7040239		Link—Vacuum Break
33	7037569		Dust Seal—Inter. Choke Shaft
34	7043289		Intermediate Choke Shaft Assy.
35	7043292		Screw—Choke Housing
36			Cam Lever & Bushing Assy.
37	7011270		Screw—Stat Cover
38	7000614		Retainer—Stat Cover
39	7033443		Valve—Choke
40	17050270		Rod—Intermediate Choke
41	17050266		Lever—Intermediate Choke
42	17050766		Lever—Choke
43	7019709		Screw—Choke Levers
44	17050271		Lever—Choke Shaft
45			
46			
47	7007627		Screw—Choke Valve
48	7047797		Choke Shaft Assy.
49	7026339		Hose—Vacuum
50	7043370		Rod—Choke
FLOAT BOWL PARTS			
51	7041141		Spring—Pump Return
—	7002120		Ball—Pump Inlet Check
—			Strainer—Pump Inlet
52	KIT ONLY		Guide—Pump Discharge
53	7002118		Spring—Pump Discharge
54	7002117		Ball—Pump Discharge
55	17055339		Float Bowl Assembly
56	KIT ONLY		Gasket—Venturi Cluster
57	17054520		Venturi Cluster Assy.
58	7045762		Screw—Venturi Cluster—Outer
59	7009077		Screw—Cluster—Center
60	—		Lockwasher—Outer Screws
61	KIT ONLY		Gasket—Center Screw
62	7002651		Jet—Standard (See Note)
63	7040320		Insert—Main Well
64	7011989		Power Valve Assembly
65	KIT ONLY		Gasket—Power Valve
66			
67	7045057	7045057	Cam—Fast Idle
68	7036222		Screw—Cam Attaching
—	NONE	1997409	Solenoid—Idle Stop
—	NONE	7042818	Bracket & Washer Assy.
—	NONE	7042654	Nut—Solenoid Retaining
—	NONE	7043682	Screw—Bracket Attaching
—	NONE	7042653	Washer—Tab Locking
THROTTLE BODY PARTS			
69	KIT ONLY		Gasket—Throttle Body
70	7015105		Screw—Throttle Body
71	—		Lockwasher—Thrt. Body Screws
72	7041249		Rod—Pump
73	7018186		Clip—Pump Rod
74	7029427		Idle Stop Screw
—	7041519		Spring—Idle Stop Screw
75	17055336	17055336	Throttle Body Assembly
76	7048860		Idle Needle
77	7011479		Spring—Idle Needle
78	6271058		Insulator—Flange

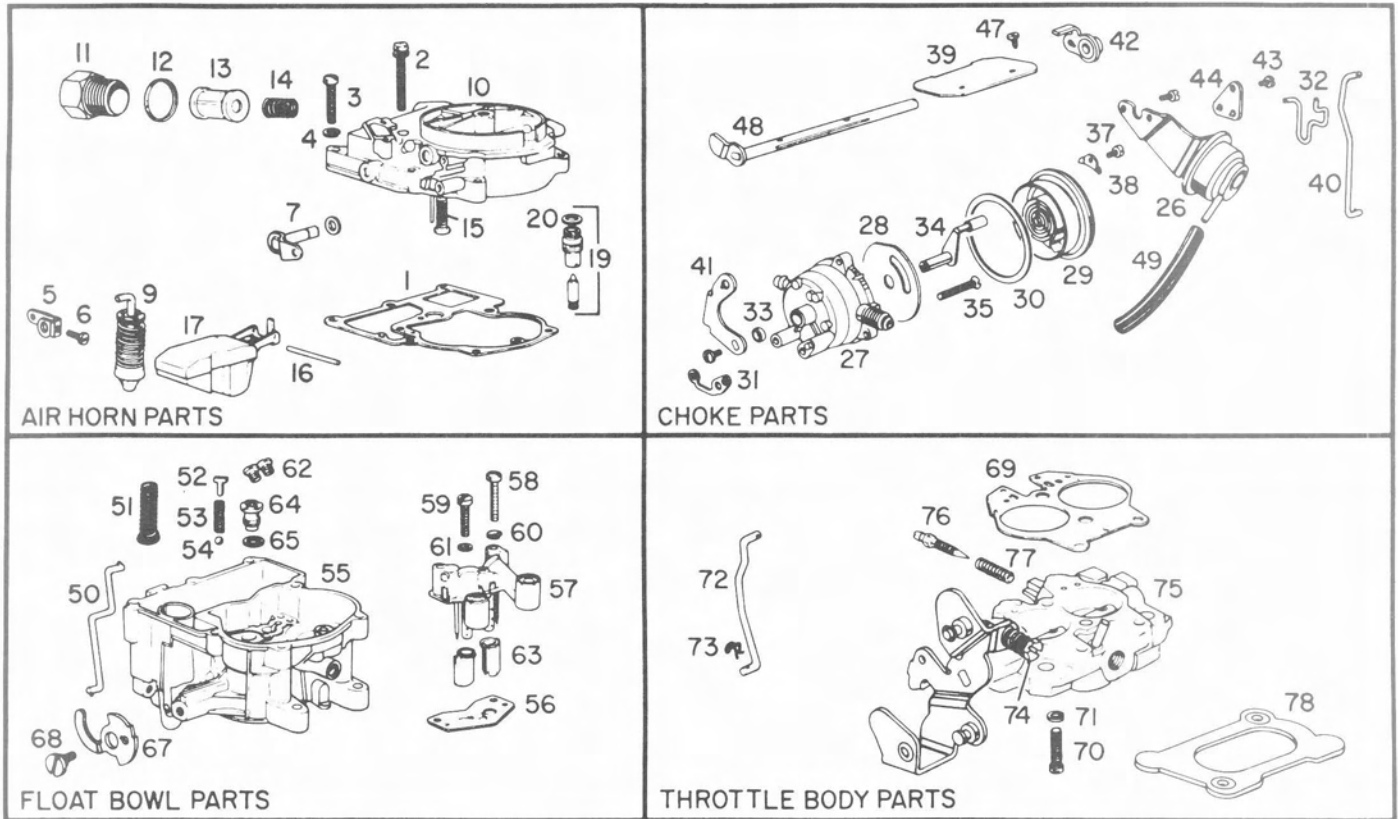


Delco Carburetor

BULLETIN 9C-6153
DATE: SEPTEMBER 1979
PAGE 1

MODEL 2GC CARBURETORS 1977 PONTIAC "X" BODY 305 CUBIC INCH ENGINE

A-LeMans, Grand Am; ASP-Grand Prix; B-Catalina, Bonneville; F-Firebird; HSP-Sunbird; X-Phoenix



PARTS SHOWN ARE FOR IDENTIFICATION ONLY. CONSULT PARTS LIST FOR CORRECT PART NAME AND NUMBER

PARTS IN ALL COLUMNS SAME — EXCEPT WHERE INDICATED

	FED.—M/T NON AIR COND.	FED.—M/T AIR COND.	APPLICATION
	17057378	17057379	CARBURETOR No.
	22-3189	22-3249	REPLACEMENT PKG. No.
	17054001	17054001	OVERHAUL KIT
	9309	9309	POWER CARB. KIT
	40-448		GASKET SET
Illus. No.	AIR HORN PARTS		
1	7045671		Gasket—Air Horn
2	7010432		Screw—Air Horn—Long
3	7006119		Screw—Air Horn—Short
4	—		Lockwasher—Air Horn Screw
5	7032377		Pump Lever—Inside
6	7011270		Screw—Pump Lever
7	7044029		Pump Shaft & Lever Assy.
—	7019568		Washer—Pump Shaft
8	—		Clip—Pump
9	7036282	7036282	Pump Assembly
10	17065256	17065256	Air Horn Assembly
11	17051765		Filter Nut—Fuel Inlet
12	7032508		Gasket—Filter Nut
13	GF-470		Filter—Fuel Inlet
14	7032732		Spring—Fuel Inlet Filter
15	7009054	7009054	Power Piston Assembly
16	7002081		Pin—Float Hinge
17	7037512		Float Assembly
18	—		Elbow—Filter Nut
19	7035152	7035152	Needle & Seat Assy.
20	KIT ONLY		Gasket—Needle Seat
21	KIT ONLY		*Gasket Air Cleaner

	17057378	17057379	CARBURETOR No.
Illus. No.	AIR HORN PARTS (Continued)		
22	—		Idle Vent Valve Kit
23	—		Screw—Idle Vent Valve
24	—		Idle Vent Valve
CHOKE PARTS			
25	—		Vacuum Break Control Assy.
26	7044056		Vac. Break Con. & Brkt. Assy.
—	7037570		Screw—Control Attaching
27	17055541	17055541	Choke Housing
28	7037239	7037239	Baffle Plate
29	17052654	17052654	Stat Cover, Coil & Gasket Assy.
30	17050961	17050961	Gasket—Stat Cover
31	7043291	7043291	Gasket—Choke Housing
32	7040239		Link—Vacuum Break
33	7037569	7037569	Dust Seal—Inter. Choke Shaft
34	7043289	7043289	Intermediate Choke Shaft Assy.
35	7043292	7043292	Screw—Choke Housing
36			Cam Lever & Bushing Assy.
37	7011270	7011270	Screw—Stat Cover
38	7000614	7000614	Retainer—Stat Cover
39	7033443		Choke Valve
40	17050270	17050270	Intermediate Choke Rod
41	17050266	17050266	Intermediate Choke Lever
42	17050766		Lever Choke
43	7019709		Screw—Choke Levers
44	17050271	17050271	Lever—Choke Shaft
45			
46			
47	7007627		Screw—Choke Valve
48	7047797		Choke Shaft Assy.
49	7026339	7026339	Hose—Vacuum
50	7043370		Choke Rod
FLOAT BOWL PARTS			
51	7041141		Spring—Pump Return
—	7002120	7002120	Ball—Pump Inlet Check
—	NONE	NONE	Jet—Main Metering
52	KIT ONLY		Guide—Pump Discharge
53	7002118		Spring—Pump Discharge
54	7002117		Ball—Pump Discharge
55	17055339	17055339	Float Bowl Assembly
56	KIT ONLY		Gasket—Venturi Cluster
57	17054520	17054520	Venturi Cluster Assy.
58	7045762		Screw—Venturi Cluster—Outer
59	7009077		Screw—Cluster—Center
60	—		Lockwasher—Outer Screws
61	KIT ONLY		Gasket—Center Screw
62	7002651	7002651	Jet—Standard (See Note)
63	7040320		Insert—Main Well
64	7011989	7011989	Power Valve Assembly
65	KIT ONLY		Gasket—Power Valve
—	NONE	7042653	Washer—Tab Locking
67	7044039		Cam—Fast Idle
68	7036222		Screw—Cam Attaching
—	NONE	1997409	Solenoid—Idle Stop
—	NONE	7042818	Bracket & Washer Assy.
—	NONE	7042654	Nut—Solenoid Retaining
—	NONE	7043682	Screw—Bracket Attaching
—	NONE	NONE	Throttle Stop Unit
THROTTLE BODY PARTS			
69	KIT ONLY		Gasket—Throttle Body
70	7015105		Screw—Throttle Body
71	—		Lockwasher—Thrt. Body Screws
72	7041249		Rod—Pump
73	7018186		Clip—Pump Rod
74	7029427		Idle Stop Screw
—	7041519		Spring—Idle Stop Screw
75	17055333	17055333	Throttle Body Assembly
76	7048860		Idle Needle
77	7011479		Spring—Idle Needle
78	6271058		Insulator—Flange

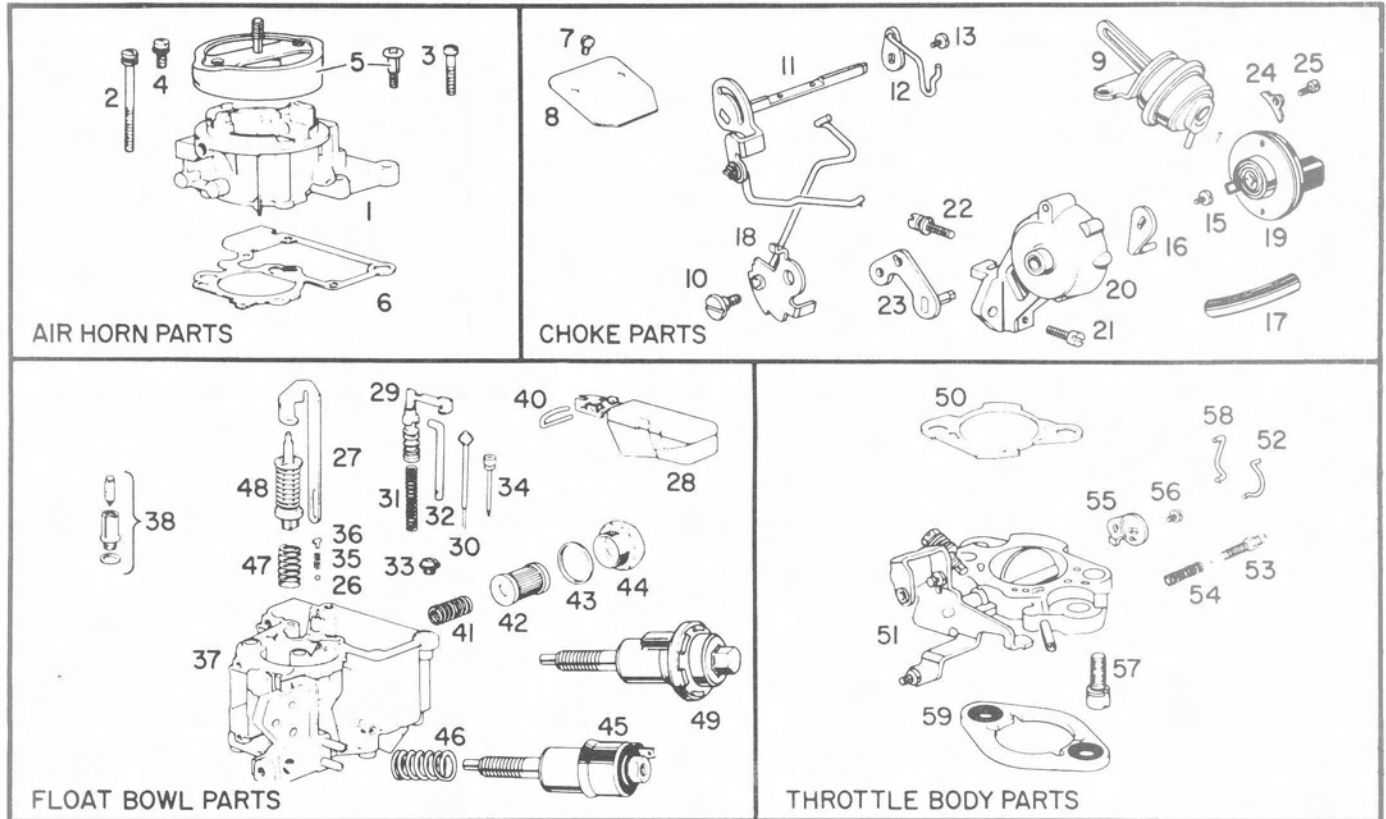


Delco Carburetor

**MODEL 1ME MONOJET
1976 PONTIAC ACADIAN (CANADA ONLY)
85 CU. IN. ENGINE**

BULLETIN 9C-6154
DATE: SEPTEMBER 1979
PAGE 1

A-LeMans, Grand Am; ASP-Grand Prix; B-Catalina, Bonneville; F-Firebird; HSP-Sunbird; X-Phoenix



PARTS SHOWN ARE FOR IDENTIFICATION ONLY. CONSULT PARTS LIST FOR CORRECT PART NAME AND NUMBER

PARTS IN ALL COLUMNS SAME — EXCEPT WHERE INDICATED

	FEDERAL AUTO. TRAN.	FEDERAL MAN. TRANS.	APPLICATION
			CARBURETOR No. (Non Air Cond.)
	17055051	17055052	CARBURETOR No. (Air Con.)
	21-3113	22-3112	REPLACEMENT PACKAGE No.
	N.S.S.		OVERHAUL KIT
	9304		POWER CARBURETOR KIT
	40-451		GASKET SET
Illus. No.	AIR HORN PARTS		
1	17054461	17054461	Air Horn Assembly
2	7043089		Screw—Air Horn (Long) (3)
3	7030917		Screw—Air Horn (Short) (2)
4	7043088		Screw—Air Horn (1)
5	17053835		Air-Cleaner Adapter & Screw
6	7037591		Gasket—Air Horn
	CHOKE PARTS		
7	7020926		Screw—Choke Valve (2)
8	7049918		Choke Valve
9	17051663		Vac. Brk. Control Assy. Bowl Side
10	7003561		Screw—Cam Attaching
11	7044437		Choke Shaft Lever & Link Assembly
12	7044447		Vac. Brk. Lever & Link Assy.
13	7019709		Screw—Vac. Brk. Lever Attaching
14			
15	7019709		Screw—Stat Lever Attaching
16	7044088		Lever—Stat Coil
17	7026339		Hose Vacuum Break
18	17054834		Cam & Link Assy.

			CARBURETOR No. (Non Air Cond.)
	17055051	17055052	CARBURETOR No. (Air Con.)
Illus. No.	CHOKE PARTS (Continued)		
19	17056619		Electric Stat Cover & Coil Assy.
20	7044199		Choke Housing & Bearing Assy.
21	17051625		Screw—Choke Housing to Bowl (1)
22	17051626		Screw—Choke Housing to Bowl (2)
23	17051637		Choke Coil Lever & Shaft Assy.
24	7000614		Retainer—Choke Cover (3)
25	7011270		Screw—Choke Cover (3)
	FLOAT BOWL PARTS		
26	7002117		Ball—Pump Discharge
27	17056474		Lever—Pump Actuating
28	17051624		Float Assembly
29	17051619		Power Piston Assembly
30	17053549	17053551	Metering Rod & Spring Assembly
31	7044003		Spring—Power Piston
32	7044005		Rod—Power Piston
33	17051617	17053544	Jet—Main Metering
34	17053628		Idle Tube Assembly
35	7002118		Spring—Pump Discharge
36	7003838		Guide—Pump Discharge
37	17054208	17054203	Float Bowl Assembly
38	7035153		Needle & Seat Assembly
39	KIT ONLY		Gasket—Needle Seat
40	7034032		Hinge Pin—Float
41	7032732		Spring—Fuel Filter
42	GF-470		Filter—Fuel Inlet
43	7032508		Gasket—Filter Nut
44	7038946		Filter Nut—Fuel Inlet
45	7040219		Solenoid—Idle Stop
46	7040519		Spring—Solenoid Locking
47	7004597		Spring—Pump Return
48	7048801		Pump Assembly
49	NONE	NONE	Dash Pot Assembly
	THROTTLE BODY PARTS		
50	KIT ONLY		Gasket—Throttle Body
51	N.S.S.		Throttle Body Assembly
52	7024214		Link—Power Rod
53	17056602		Idle Needle
54	7038989		Spring—Idle Needle
55	17051665		Lever—Pump & Power Rod
56	7010435		Screw—Lever Attaching
57	7043087		Screw—Throttle Body (2)
58	7035267		Link—Pump Lever
59	331124		Gasket—Flange

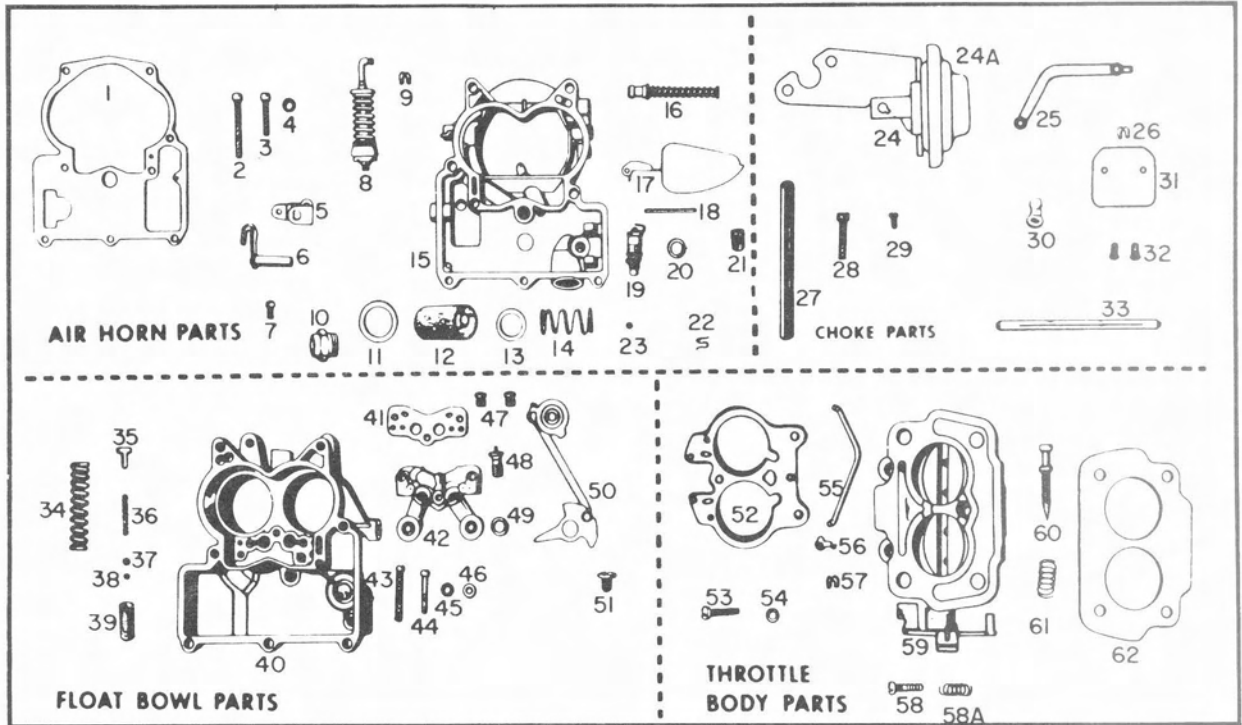


Delco Carburetor

BULLETIN 9C-6155
DATE: SEPTEMBER 1979
PAGE 1

MODEL 2GV CARBURETORS
1968 PONTIAC & TEMPEST V-8
350-400 CU. IN. ENGINE
1½" S.A.E.

A-LeMans, Grand Am; ASP-Grand Prix; B-Catalina, Bonneville; F-Firebird; HSP-Sunbird; X-Phoenix



PARTS SHOWN ARE FOR IDENTIFICATION ONLY. CONSULT PARTS LIST FOR CORRECT PART NAME AND NUMBER

PARTS IN ALL COLUMNS SAME — EXCEPT WHERE INDICATED

	M/T & A/T	APPLICATION
	17057380	CARBURETOR No.
	22-6083	REPLACEMENT PKG.
	N.S.S.	OVERHAUL KIT
	9127	POWER CARBURETOR KIT
	40-352	GASKET SET
Illus. No.	AIR HORN PARTS	
1	7021007	Gasket—Air Horn
2	7010432	Screw—Air Horn—Long
3	7006119	Screw—Air Horn—Short
4	—	Lockwasher—Air Horn Screws
5	7032377	Pump Lever—Inside
6	7036764	Pump Shaft and Lever Assembly
7	7011270	Screw—Pump Lever
8	7033232	Pump Assembly
9	7005032	Clip—Pump Plunger
10	7044786	Filter Nut—Fuel Inlet
11	7032508	Gasket—Filter
12	7013404	Filter—Fuel Inlet
13	7013584	Gasket—Fuel Filter
14	7010007	Spring—Fuel Filter
15	7036311	Air Horn Assembly
16	7035603	Power Piston Assembly
17	7032887	Float Assembly
18	7010037	Pin—Float Hinge
19	7023813	Needle and Seat Assembly
20	KIT ONLY	Gasket—Needle Seat
21	—	Strainer—Needle Seat
22	—	Pull Clip—Float
23	—	Plug—Lead Ball

	17057380	CARBURETOR No.
	CHOKE PARTS	
Illus. No.		
24	7036539	Vacuum Break Control & Bracket Assembly
24A	7037911	Vacuum Break Control Assembly
25	—	Link—Vacuum Break
26	—	Clip—Link
27	7026339	Hose—Vacuum
28	7037570	Screw—Control Attaching
29	7019709	Screw—Trip Lever
30	7006596	Trip Lever
31	7033443	Valve—Choke
32	7007627	Screw—Choke Valve
33	7037175	Choke Shaft and Lever Assembly
	FLOAT BOWL PARTS	
34	7004597	Spring—Pump Return
35	KIT ONLY	Guide—Pump Discharge
36	7002118	Spring—Pump Discharge
37	7002117	Ball—Pump Discharge
38	7002120	Ball—Pump Inlet Check
39	—	Strainer—Pump Inlet
40	N.S.S.	Float Bowl Assembly
41	KIT ONLY	Gasket—Venturi Cluster
42	N.S.S.	Venturi Cluster Assembly
43	7008502	Screw—Cluster—Outer
44	7009077	Screw—Cluster—Center
45	KIT ONLY	Gasket—Center Screw
46	—	Lockwasher—Outer Screws
47	7002656	Jet—Standard
48	7011989	Power Valve Assembly
49	KIT ONLY	Gasket—Power Valve
50	7035976	Choke Lever, Link and Cam Assembly
51	7036222	Screw—Cam Attaching
	THROTTLE BODY PARTS	
52	KIT ONLY	Gasket—Throttle Body
53	7015105	Screw—Throttle Body
54	—	Lockwasher—Throttle Body
55	7041345	Rod—Pump
56	7003242	Clip—Pump Rod
57	7005032	Clip—Pump Rod
58	7029427	Idle Stop Screw
58A	7029428	Spring—Idle Stop Screw
59	N.S.S.	Throttle Body Assembly
60	7048863	Idle Needle
61	7011479	Spring—Idle Needle
62	490327	Gasket—Flange
	ACCESSORIES	
—	7028293	Manifold Stat Coil Assembly

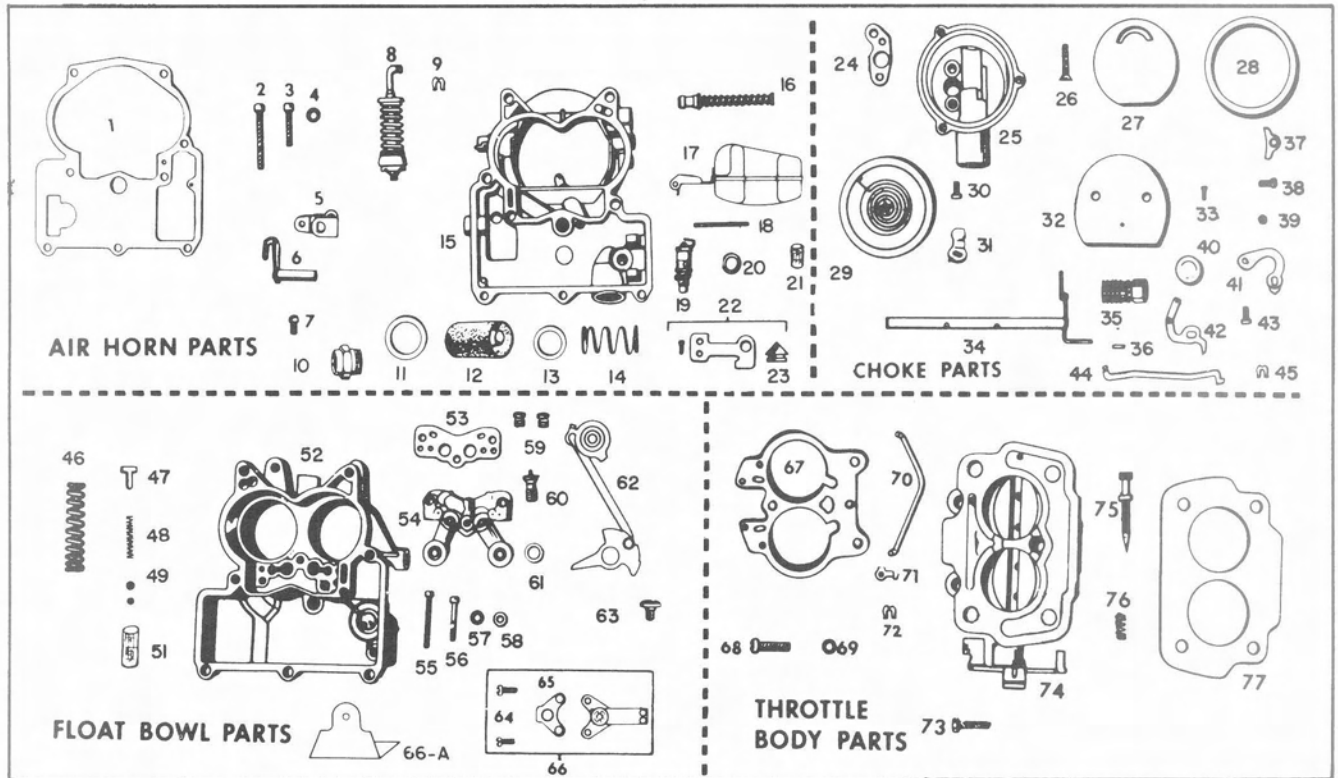


Delco Carburetor

BULLETIN 9C-6156
DATE: SEPTEMBER 1979
PAGE 1

MODEL 2GC CARBURETORS
1965-67 PONTIAC TEMPEST V-8
326-362-400 CU. IN. ENGINE
1½" S.A.E.

A-LeMans, Grand Am; ASP-Grand Prix; B-Catalina, Bonneville, F-Firebird; HSP-Sunbird; X-Phoenix



PARTS SHOWN ARE FOR IDENTIFICATION ONLY. CONSULT PARTS LIST FOR CORRECT PART NAME AND NUMBER

PARTS IN ALL COLUMNS SAME — EXCEPT WHERE INDICATED

	1965	1966-67	1966-67	YEAR
	362 CU. IN.	400 CU. IN.	326-400 CU. IN.	APPLICATION
	AUTO. TRANS.	AUTO. TRANS.	M/T & A/T	CARBURETOR No.
	17057358	17057359	17058361	REPLACEMENT PKG.
	22-6067	22-6068	22-6075	OVERHAUL KIT
	N.S.S.			POWER CARB. KIT
	9087			GASKET SET
	40-321	40-321	N.S.S.	
Ilus. No.	AIR HORN PARTS			
1	7021007			Gasket—Air Horn
2	7010432			Screw—Air Horn—Long
3	7006119			Screw—Air Horn—Short
4	—			Lockwasher—Air Horn Screws
5	7032377			Pump Lever—Inside
6	N.S.S.	N.S.S.	7036764	Pump Shaft and Lever Assembly
7	7011270			Screw—Pump Lever
8	7033232			Pump Assembly
9	7005032			Clip—Pump Plunger
10	7044786			Filter Nut—Fuel Inlet
11	7032508			Gasket—Filter
12	7013404			Filter—Fuel Inlet
13	7013584			Gasket—Fuel Filter
14	7010007			Spring—Fuel Filter
15	N.S.S.			Air Horn Assembly
16	7035603			Power Piston Assembly
17	7032887			Float Assembly
18	7010037			Pin—Float Hinge
19	7023813			Needle and Seat Assembly
20	KIT ONLY			Gasket—Needle Seat
21	N.S.S.	N.S.S.	—	Strainer—Needle Seat
—	—	7006474	—	Pull Clip—Float Needle
22	7012252	—	—	Idle Vent Valve Kit
23	7029993	—	—	Idle Vent Valve

	17057358	17057359	17058361	CARBURETOR No.
Illus. No.	CHOKE PARTS			
24	7007502	N.S.S.	7007502	Gasket—Choke Housing
25	N.S.S.			Choke Housing Assembly
26	7013704			Screw—Choke Housing
27	7019477	7035711	7035711	Baffle Plate
28	7002760			Gasket—Stat Cover
29	7034546	7034507	N.S.S.	Stat Cover, Coil and Gasket Assembly
30	7019709			Screw—Trip Lever
31	7021930	7006596	7021930	Trip Lever
32	7033443			Valve—Choke
33	7007627			Screw—Choke Valve
34	7010032			Choke Shaft and Lever Assembly
35	7010522			Choke Piston
36	7010746			Pin—Choke Piston
37	7000614			Retainer—Stat Cover
38	7011270			Screw—Stat Cover
39	7002814	—	—	Plug—Lead Ball
40	7003135	—	—	Plug—Expansion
41	7010048			Intermediate Choke Shaft
42	N.S.S.	7029305	7029305	Choke Lever and Link Assembly
43	7019709			Screw—Choke Piston Lever
44	7010056			Intermediate Choke Rod
45	7005109			Clip—Intermediate Rod
	FLOAT BOWL PARTS			
46	7004597			Spring—Pump Return
47	KIT ONLY			Guide—Pump Discharge
48	7002118			Spring—Pump Discharge
49	7002117			Ball—Pump Discharge
50	7002120			Ball—Pump Inlet Check
51	7004557			Strainer—Pump Inlet
52	N.S.S.			Float Bowl Assembly
53	KIT ONLY			Gasket—Venturi Cluster
54	—	N.S.S.	N.S.S.	Venturi Cluster Assembly
55	7045762			Screw—Cluster—Outer
56	7009077			Screw—Cluster—Center
57	KIT ONLY			Gasket—Center Screw
58	—			Lockwasher—Outer Screws
59	7008661	7002660	7002656	Jet—Standard
60	7011989			Power Valve Assembly
61	KIT ONLY			Gasket—Power Valve
62	7020367	7020367	7035976	Choke Lever, Link and Cam Assembly
63	7003561			Screw—Cam Attaching
64	7015127	7015127	—	Screw—Idle Compensator
65	7013341	7013341	—	Gasket—Idle Compensator
66	N.S.S.	N.S.S.	—	Idle Compensator Kit
66A	—	—	—	Deflector—Pump Shooter
	THROTTLE BODY PARTS			
67	KIT ONLY			Gasket—Throttle Body
68	7015105			Screw—Throttle Body
69	—			Lockwasher—Throttle Body
70	7041345			Rod—Pump
71	7003242			Clip—Pump rod
	—	7009728	7009728	Spring—Idle Stop Screw
72	7005032			Clip—Pump Rod
73	N.S.S.	7025948	7025948	Idle Stop Screw
74	N.S.S.			Throttle Body Assembly
75	7048860			Idle Needle
76	7011479			Spring—Idle Needle
77	KIT ONLY			Gasket—Flange

NLA — No Longer Available



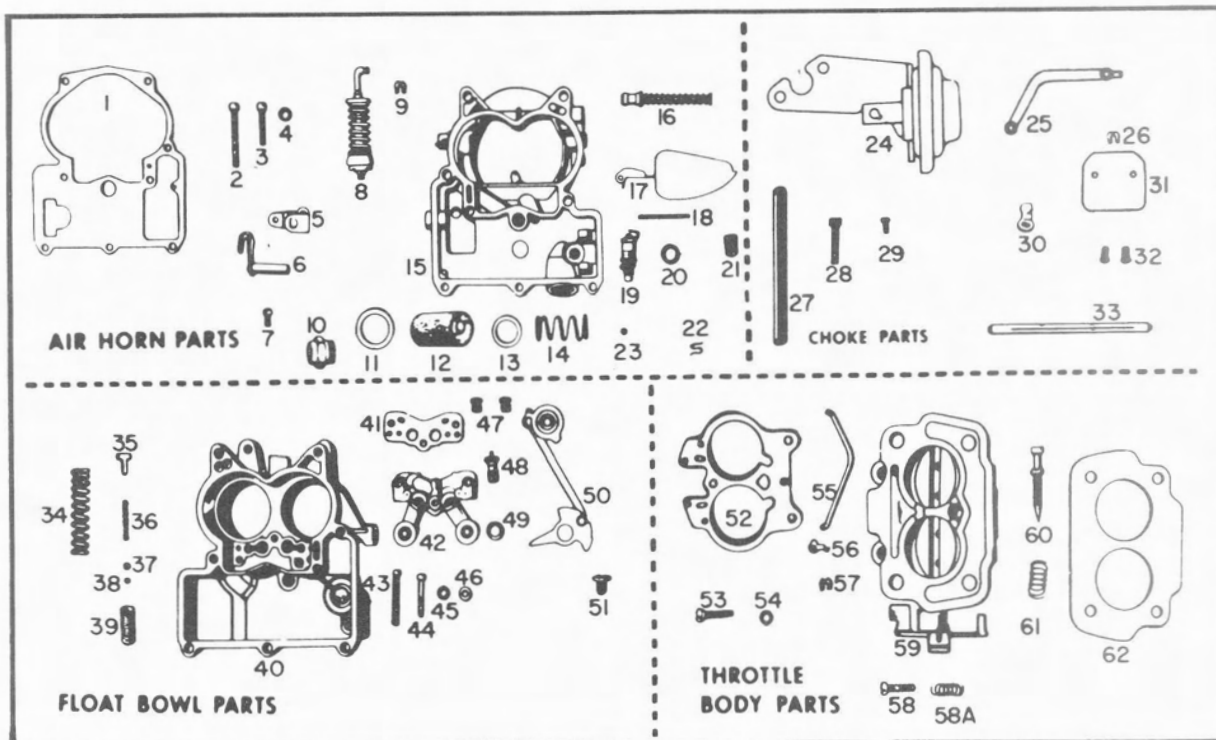
Delco Carburetor

BULLETIN 9C-6157
DATE: SEPTEMBER 1979
PAGE 1

MODEL 2GV CARBURETORS
1971-72 PONTIAC, TEMPEST
& FIREBIRD

350-400-455 CUBIC INCH ENGINE V-8

A-LeMans, Grand Am; ASP-Grand Prix; B-Catalina, Bonneville; F-Firebird; HSP-Sunbird; X-Phoenix



PARTS SHOWN ARE FOR IDENTIFICATION ONLY. CONSULT PARTS LIST FOR CORRECT PART NAME AND NUMBER

PARTS IN ALL COLUMNS SAME — EXCEPT WHERE INDICATED

	A, F 1972 400 CU. IN. FED. CALIF. ALTITUDE	A, F 1972 455 CU. IN. FED. CALIF. ALTITUDE	1971 350 CU. IN. A/C-NON-A/C AUTO. TRANS.	1972 350 CU. IN. AUTO. TRANS.	1971 350 CU. IN. MAN. TRANS.	1972 350 CU. IN. AUTO. TRANS.	APPLICATION	
	17055010	17055011	17058366	17058367	17058370	17058371	CARBURETOR No.	
	22-6053	22-6054	22-6012	22-6016	22-6011	22-6020	REPLACEMENT PKG.	
	N.S.S.					N.S.S.	OVERHAUL KIT	
	9238	9238	9238	9238	9239	9241	POWER CARBURETOR KIT	
	40-381					40-407	GASKET SET	
Illus. No.	AIR HORN PARTS							
1	7046323					7046323	Gasket—Air Horn	
2	7010432					7010432	Screw—Air Horn—Long	
3	7006119					7006119	Screw—Air Horn—Short	
4	—					—	Lockwasher—Air Horn Screws	
5	7032377					7032377	Pump Lever—Inside	
6	7049900					7049900	Pump Shaft and Lever Assembly	
7	7011270					7011270	Screw—Pump Lever	
8	7036282	7036282	7036282	7036282	7037561	7037561	Pump Assembly	
9	7005032					7005032	Clip—Pump Plunger	
10	7044786					7044786	Filter Nut—Fuel Inlet	
11	7032508					7032508	Gasket—Filter	
12	7013404					7013404	Filter—Fuel Inlet	
13	7013584					7013584	Gasket—Fuel Filter	
14	7010007					7010007	Spring—Fuel Filter	
15	N.S.S.					N.S.S.	Air Horn Assembly	
16	7006323					7006323	Power Piston Assembly	
17	7037512					7037512	Float Assembly	
18	7010037					7010037	Pin—Float Hinge	

	17055010	17055011	17058366	17058367	17058370	17058371	CARBURETOR No.
Illus. No.	AIR HORN PARTS (Continued)						
19	7035147					7035147	Needle and Seat Assembly
20	KIT ONLY	KIT ONLY	KIT ONLY	NONE	KIT ONLY	KIT ONLY	Gasket—Needle Seat
21							Strainer—Needle Seat
22							Pull Clip—Float
23							Plug—Lead Ball
	CHOKE PARTS						
24	7045915					7045915	Vacuum Break Control & Bracket Assy.
25	7042686					7042686	Link—Vacuum Break
26	—					—	Clip—Link
27	7026339					7026339	Hose—Vacuum
28	7037570					7037570	Screw—Control Attaching
29	7019709					7019709	Screw—Choke Lever
30	7038044					7038044	Lever—Choke
31	7033443					7033443	Valve—Choke
32	7007627					7007627	Screw—Choke Valve
33	7038045					7038045	Choke Shaft and Lever Assembly
	FLOAT BOWL PARTS						
34	7004597					7004597	Spring—Pump Return
35	KIT ONLY					KIT ONLY	Guide—Pump Discharge
36	7002118					7002118	Spring—Pump Discharge
37	7002117					7002117	Ball—Pump Discharge
38	7002120					7002120	Ball—Pump Inlet Check
39	N.S.S.					N.S.S.	Strainer—Pump Inlet
40	N.S.S.					N.S.S.	Float Bowl Assembly
41	KIT ONLY					KIT ONLY	Gasket—Venturi Cluster
42	N.S.S.					N.S.S.	Venturi Cluster Assembly
43	7045762					7045762	Screw—Cluster—Outer
44	7009077					7009077	Screw—Cluster—Center
45	KIT ONLY					KIT ONLY	Gasket—Center Screw
—	7037286	NONE	NONE	NONE	NONE	7037286	Insert—Main Well
47	7002657	7008660	7002656	7002656	7002654	7002653	Jet—Standard
48	7011989					7037812	Power Valve Assembly
49	KIT ONLY					KIT ONLY	Gasket—Power Valve
50	7035976					7035976	Choke Lever, Link and Cam Assembly
51	7036222					7036222	Screw—Cam Attaching
—	7037834	—	7037834	—	—	—	Idle Compensator Assembly
—	KIT ONLY	—	KIT ONLY	—	—	—	Gasket—Idle Compensator
—	7015127	—	7015127	—	—	—	Screw—Idle Compensator
	THROTTLE BODY PARTS						
52	KIT ONLY					KIT ONLY	Gasket—Throttle Body
53	7015105					7015105	Screw—Throttle Body
54	—					—	Lockwasher—Throttle Body
55	7041345					7041345	Pump Rod Kit
56	7018186					7018186	Clip—Pump Rod
57	7005032					7005032	Clip—Pump Rod
58	7029427					7029427	Idle Stop Screw
58A	7029428					7029428	Spring—Idle Stop Screw
59	N.S.S.					N.S.S.	Throttle Body Assembly
60	7048863					7048863	Idle Needle
61	7011479					7011479	Spring—Idle Needle
—	—					—	Limiting Cap—Idle Needle
62	490327					490327	Gasket—Flange

ACCESSORIES	
7028131	Vapor Canister
7028054	Canister Filter Assembly
7026014	Filter Element
482121	Manifold Stat Coil Assembly (Auto. Trans.)
482125	Manifold Stat Coil Assembly (Man. Trans.)
482136	Rod — Manifold Stat Coil

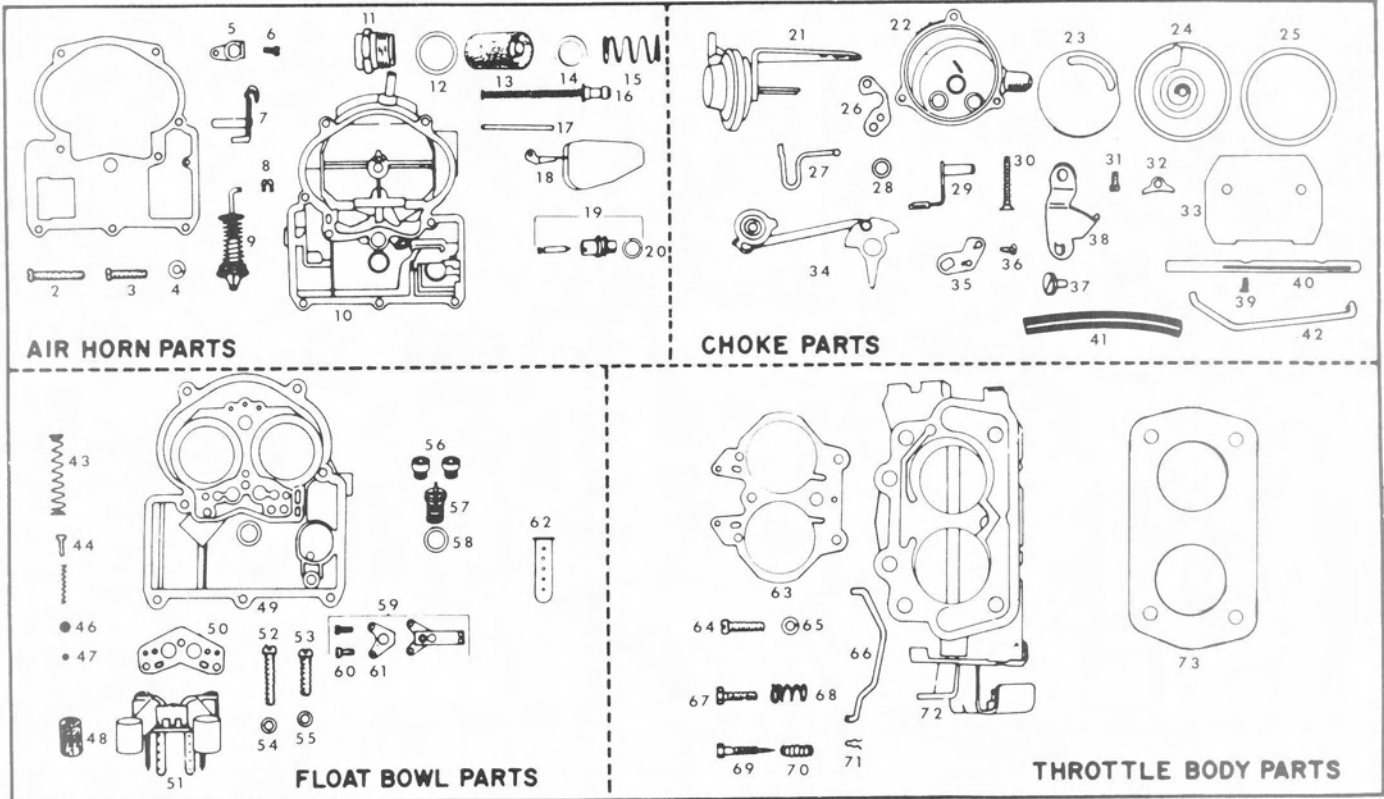


Delco Carburetor

**MODEL 2GC CARBURETORS
1973-74 PONTIAC, TEMPEST &
FIREBIRD V-8
350-400 CUBIC INCH ENGINE**

**BULLETIN: 9C-6158
DATE: SEPTEMBER 1979
PAGE 1**

A-LeMans, Grand Am; ASP-Grand Prix; B-Catalina, Bonneville; F-Firebird; HSP-Sunbird; X-Phoenix



PARTS SHOWN ARE FOR IDENTIFICATION ONLY. CONSULT PARTS LIST FOR CORRECT PART NAME AND NUMBER

PARTS IN ALL COLUMNS SAME — EXCEPT WHERE INDICATED

	1974 350 CU. IN. A/T CALIF.	1973 400 CU. IN. A/T FEDERAL	1973-74 400 CU. IN. A/T FED. CALIF.	A, F 1974 400 CU. IN. CALIF.	1973 350 CU. IN. A/T FED. CALIF.	1973-74 350 CU. IN. M/T FED. CALIF.	APPLICATION
	17057352	17057356	17057362	17057363	17057364	17058372	CARBURETOR No.
	22-6065	22-6066	22-6069	22-6070	22-6071	22-6026	REPLACEMENT PKG. No.
	7046748	7046725	7046725	7046725	7046748	N.S.S.	OVERHAUL KIT
	9255	9252	9252	9252	9255	9255	POWER CARB. KIT
	40-416						GASKET SET
Illus. No.	AIR HORN PARTS						
1	7046323						Gasket—Air Horn
2	7010432						Screw—Air Horn—Long
3	7006119						Screw—Air Horn—Short
4	—						Lockwasher—Air Horn Screw
5	7032377						Pump Lever—Inside
6	7011270						Screw—Pump Lever
7	7049900						Pump Shaft & Lever Assy.
8	—		7005032	7005032	7005032	7005032	Clip—Pump
9	7037561	7047995	7047995	7047995	7037561	7037561	Pump Assembly
10	7046737	7046720	7046720	7046720	7046737	NSS	Air Horn Assembly
11	7044786						Filter Nut—Fuel Inlet
12	7032508						Gasket—Filter Nut
13	7013404						Filter—Fuel Inlet
14	7013584						Gasket—Fuel Inlet Filter
15	7010007						Spring—Filter
16	7009718	7009718	7009718	7009718	7009718	7009718	Power Piston Assy.
17	7010037						Pin—Float Hinge
18	7037512						Float Assembly
19	7023813						Needle & Seat Assy.
20	KIT ONLY						Gasket—Needle Seat

	17057352	17057356	17057362	17057363	17057364	17058372	CARBURETOR No.	
Illus. No.	CHOKE PARTS							
21	7030987						Vacuum Break Control & Bracket Assy.	
—	7037570						Screw—Control Attaching	
22	7047853	7047862	7047862	7047862	7047853	7047850	Choke Housing	
23	7037239						Baffle Plate	
24	7046739	7046739	7046739	7046739	7046739	7046739	Stat Cover, Coil & Gasket Assy.	
25	7002760						Gasket—Stat Cover	
26	7037796						Gasket—Choke Housing	
27	—	7046938	7046938	7046938	7046938	7046938	Link—Vacuum Break	
28	7037569						Dust Seal—Inter. Choke Shaft	
29	7037227						Intermediate Choke Shaft Assy.	
30	7013704						Screw—Choke Housing	
31	7011270						Screw—Stat Cover	
32	7000614						Retainer—Stat Cover	
33	7033443						Valve—Choke	
34	7035976						Choke Lever Link & Cam Assy.	
35	7030993	7046938	7046938	7046938	7046938	7046938	Lever—Choke	
36	7019709						Screw—Choke Levers	
37	7036222						Screw—Cam Attaching	
38	7030990						Intermediate Choke Lever	
39	7007627						Screw—Choke Valve	
40	—	7046938	7046938	7046938	7046938	7046938	Choke Shaft Assembly	
41	7026339						Hose—Vacuum	
42	7030992						Rod—Choke	
	FLOAT BOWL PARTS							
43	7004597						Spring—Pump Return	
44	KIT ONLY	KIT ONLY	KIT ONLY	KIT ONLY	KIT ONLY	N.S.S.	Guide—Pump Discharge	
45	7002118						Spring—Pump Discharge	
46	7002117						Ball—Pump Discharge	
47	7002120						Ball—Pump Inlet Check	
48	7004557	KIT ONLY	7004557	7004557	7004557	NSS	Strainer—Pump Inlet	
49	N.S.S.						Float Bowl Assembly	
50	KIT ONLY						Gasket—Venturi Cluster	
51	7047846	N.S.S.	N.S.S.	7048000	N.S.S.	N.S.S.	Venturi Cluster Assembly	
52	7045762						Screw—Cluster—Outer	
53	7009077						Screw—Cluster—Center	
54	—						Lockwasher—Outer Screw	
55	KIT ONLY						Gasket—Center Screw	
56	7002654	7040759	7002660	7002660	7002654	7002654	Jet—Standard	
57	7011989	7011989	7011989	7011989	7011989	7037812	Power Valve Assembly	
58	KIT ONLY						Gasket—Power Valve	
59	7037834	—	—	—	7037834	—	Idle Compensator Assembly	
60	7015127	—	—	—	7015127	—	Screw—Idle Compensator Cover	
61	7013341	—	—	—	7013341	—	Gasket—Idle Compensator Cover	
—	—						Cover—Idle Compensator Hole	
62	7037286						Insert—Main Well	
	THROTTLE BODY PARTS							
63	KIT ONLY						Gasket—Throttle Body	
64	7015105						Screw—Throttle Body	
65	—						Lockwasher—Throttle Body	
66	7041345						Pump Rod Kit	
67	7029427						Idle Stop Screw	
68	7029428						Spring—Idle Stop Screw	
69	7048861	7048861	7048858	7048858	7048858	7048858	Idle Needle	
70	70411479						Spring—Idle Needle	
—	—						Limiters—Idle Needle	
71	7018186						Clip—Pump Rod	
72	N.S.S.	N.S.S.	N.S.S.	7046975	N.S.S.	N.S.S.	Throttle Body Assembly	
73	490327						Flange Gasket	

EGR—Exhaust Gas Recirculation

NOTE: Replace with 7046938 Choke Shaft, Lever & Link Kit.

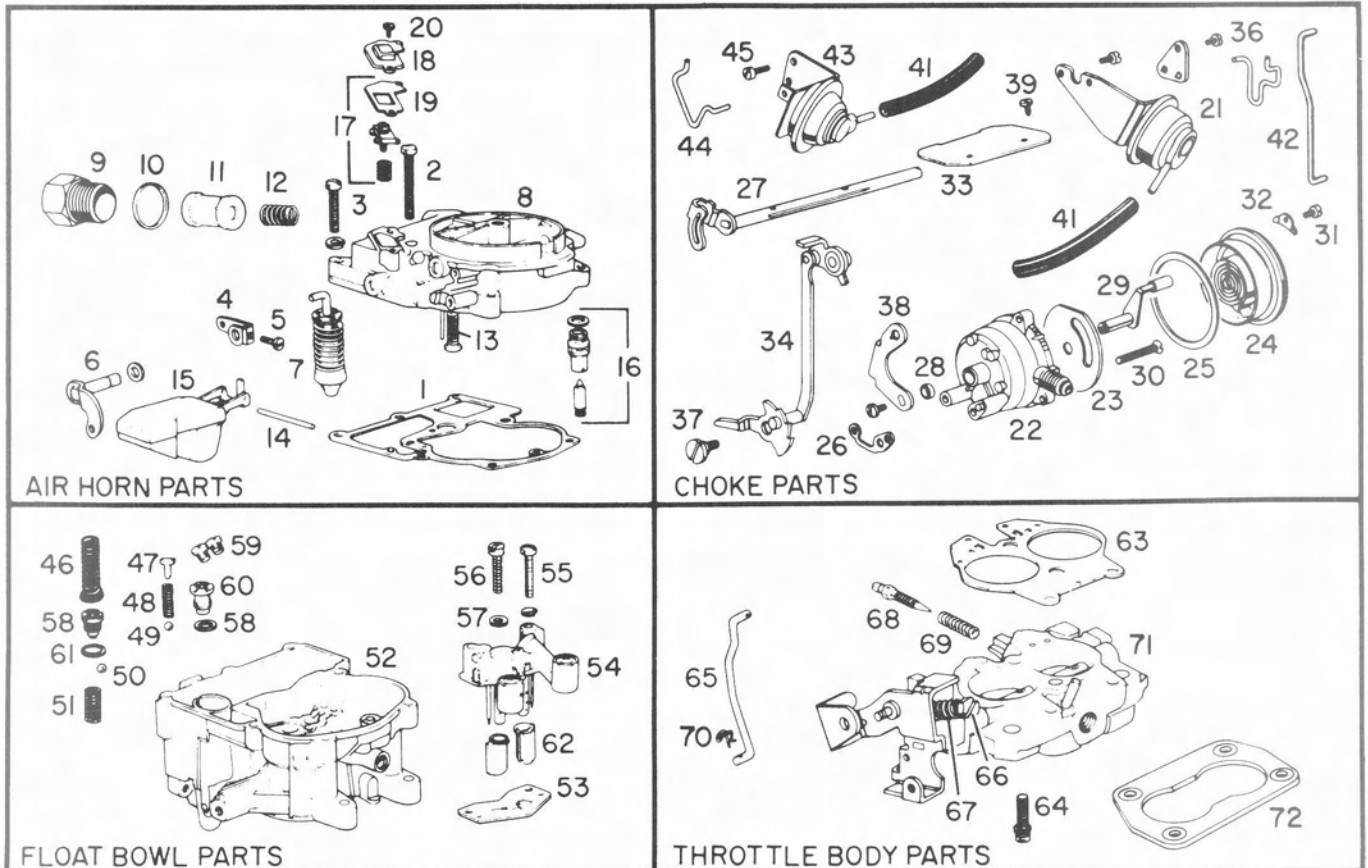


Delco Carburetor

BULLETIN 9C-6159
DATE: SEPTEMBER 1979
PAGE 1

**MODEL 2GC CARBURETORS
1976 PONTIAC, GRAND PRIX, LEMANS
350 & 400 CUBIC INCH ENGINES
AUTOMATIC TRANSMISSION**

A-LeMans, Grand Am; ASP-Grand Prix; B-Catalina, Bonneville; F-Firebird; HSP-Sunbird; X-Phoenix



PARTS SHOWN ARE FOR IDENTIFICATION ONLY. CONSULT PARTS LIST FOR CORRECT PART NAME AND NUMBER

PARTS IN ALL COLUMNS SAME — EXCEPT WHERE INDICATED

	400 CU. IN. AUTO. TRANS. FEDERAL	350 CU. IN. AUTO. TRANS. FEDERAL	APPLICATION
	17057366	17057367	CARBURETOR No.
	22-6072	22-6073	REPLACEMENT PKG. No.
	17054953	17052876	OVERHAUL KIT
	9294		POWER CARB. KIT
	40-445		GASKET SET
Illus. No.	AIR HORN PARTS		
1	17050409		Gasket—Air Horn
2	7010432		Screw—Air Horn—Long
3	7006119		Screw—Air Horn—Short
4	7032377		Pump Lever—Inside
5	7011270		Screw—Pump Lever
6	7049900		Pump Shaft & Lever Assy.
7	17050232		Pump Assembly
8	17052877	17052874	Air Horn Assembly
9	7040955		Filter Nut—Fuel Inlet
10	7032508		Gasket—Filter Nut
11	GF-470		Filter—Fuel Inlet
12	7034356		Spring—Filter
13	7006323		Power Piston Assy.

	17057366	17057367	CARBURETOR No.
Illus. No.	AIR HORN PARTS (Continued)		
14	7002081		Pin—Float Hinge
15	7037512		Float Assembly
16	7035132		Needle & Seat Assy.
17	17052733		Idle Vent Valve Kit
	KIT ONLY		*Gasket—Needle Seat
18	17050272		Cover—Vent Valve
19	17053051		Gasket—Vent Valve
20	7015127		Screw—Cover
CHOKE PARTS			
21	7043586		Vacuum Break Control & Bracket Assy. Aux.
—	7037570		Screw—Control Attaching
22	7047853		Choke Housing
23	7037239		Baffle Plate
24	7046739		Stat Cover—Coil & Gasket Assy.
25	17050961		Gasket—Stat Cover
26	7037796		Gasket—Choke Housing
27	SEE NOTE		Link—Vacuum Break
28	7037569		Dust Seal—Inter. Choke Shaft
29	7037227		Intermediate Choke Shaft Assy.
30	7013704		Screw—Choke Housing
31	7011270		Screw—Stat Cover
32	7000614		Retainer—Stat Cover
33	7033443		Valve—Choke
34	17050491	17053956	Choke Lever Link & Cam Assy.
35	SEE NOTE		Lever—Choke
36	7019709		Screw—Choke Levers
37	7036222		Screw—Cam Attaching
38	7030990		Lever—Intermediate Choke
39	7007627		Screw—Choke Valve
40	SEE NOTE		Choke Shaft Assembly
41	7026339		Hose—Vacuum
42	7043159		Rod—Choke
43	7044064		Main Vacuum Break & Bracket Assy.
44	7043147		Link—Auxiliary Vacuum Break
45	7037570		Screw—Control Attaching
FLOAT BOWL PARTS			
46	17050241		Spring—Pump Return
47	KIT ONLY		Guide—Pump Discharge
48	7002118		Spring—Pump Discharge
49	7002117		Ball—Pump Discharge
50	17050240		Ball—Pump Inlet Check
51	—		Strainer—Pump Inlet
52	17065227	17065228	Float Bowl Assembly
53	KIT ONLY		Gasket—Venturi Cluster
54	17053664	17053667	Venturi Cluster Assembly
55	7045762		Screw—Cluster—Outer
56	7009077		Screw—Cluster—Center
57	KIT ONLY		Gasket—Center Screw
58	17050246		Auxiliary Power Valve
59	7002651	7002649	Jet—Standard
60	17053648	17053646	Power Valve Assembly
61	KIT ONLY		Gasket—Power Valve
62	7037286		Insert—Main Well
THROTTLE BODY PARTS			
63	KIT ONLY		Gasket—Throttle Body
64	7015105		Screw—Throttle Body
65	7041345		Rod—Pump
66	7029427		Idle Stop Screw
67	7029428		Spring—Idle Stop Screw
68	17050301		Idle Needle
69	7011479		Spring—Idle Needle
70	7018186		Clip—Pump Rod
71	17054950		Throttle Body Assembly
72	496675		Flange Gasket

NOTE: REPLACE WITH 17051941 CHOKE SHAFT, LEVER & LINK KIT